

# SERVICE MANUAL

INTEGRATED DC SERVO  
STEREO AMPLIFIER

## SANSUI A-1200P

(Silver & Black Model)

## CLASSIQUE A-1230P



### CAUTION

1. Parts identified by the  $\Delta$  symbol on the schematic diagram and the parts list are critical for safety. Use only replacement parts that have critical characteristics recommended by the manufacturer.
2. Make leakage-current or resistance measurements to determine that exposed parts are acceptably insulated from the supply circuit before returning the appliance to the customer.

### •SPECIFICATIONS

#### A-1200P

##### Power output

Min. RMS, both channels driven, from 20 to 20,000 Hz,  
with no more than 0.05% total harmonic distortion  
125 watts per channel into 8 ohms

**Load impedance**..... 8 ohms

##### Total harmonic distortion

..... less than 0.05% at or below  
rated min. RMS power output

##### Frequency response (at 1 watt)

..... 5 to 60,000 Hz  
+1 dB, -2 dB

##### RIAA curve deviation (PHONO, 20 Hz to 20 kHz)

..... +0.5 dB, -0.5 dB

##### Input sensitivity and impedance

(1 kHz, for rated power output)

PHONO..... 2.5 mV/47 kilohms

(Max. input capability; 120mV at 1 kHz, less than  
0.1% total harmonic distortion)

TUNER, TAPE PLAY .... 150 mV/47 kilohms

##### Output level (1 kHz)

TAPE REC..... 130 mV into 47 kilohms

##### Signal to noise ratio (short-circuit, A-network)

PHONO..... 72 dB

TUNER, TAPE PLAY .... 95 dB

##### Power requirements

Power voltage..... 120/220/240V (50/60 Hz)  
For U.S.A. & Canada

..... 120V (60 Hz)

Power consumption .... 360 watts 470 VA Rated  
540 watts Maximum

**Dimensions**..... 430 mm (16-15/16") W

112 mm (4-7/16") H

250 mm (9-7/8") D

**Weight**..... 7.5 kg (16.5 lbs.) net

8.1 kg (17.8 lbs.) packed

#### CLASSIQUE A-1230P

**Power voltage**..... 120V (60 Hz)

**Power consumption**..... 360 watts

**Dimensions**..... 430 mm (16-15/16") W

112 mm (4-7/16") H

250 mm (9-7/8") D

**Weight**..... 7.5 kg (16.5 lbs.) net

8.1 kg (17.8 lbs.) packed

\* Design and specifications subject to changes without notice for improvements.

\* Due to local laws and regulations, this unit sold in some areas are not equipped with variable voltage selectors.

**Sansui**

SANSUI ELECTRIC CO., LTD.

## CAUTION

1. The symbols, UL, CSA, SA, BS, UK, EU, AS, XX <EXPORT> and XX-V <EXPORT(V)> on the parts list and the schematic diagram mean followings respectively.

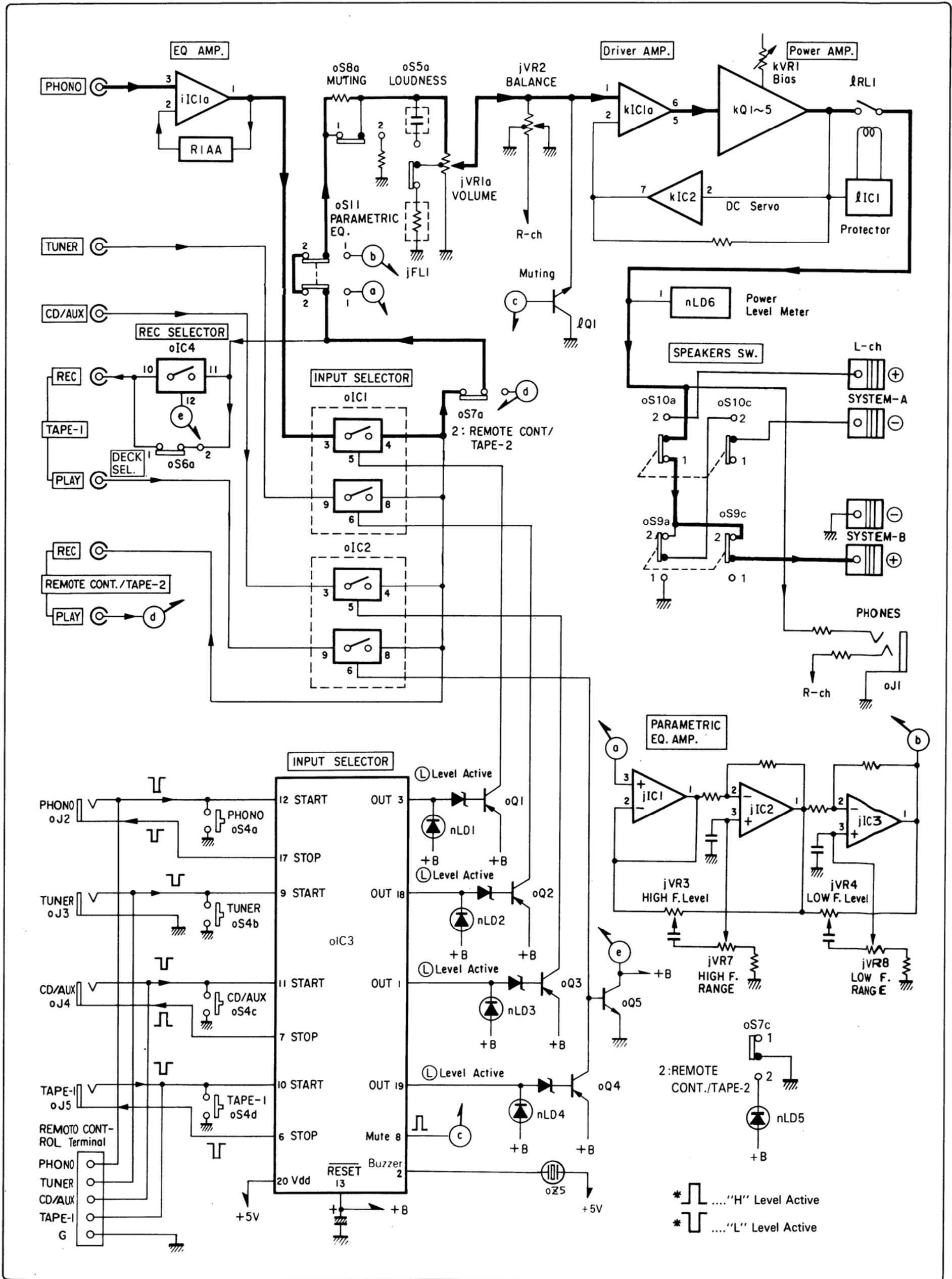
UL..... Manufactured for U.S.A market.  
(Underwriters Laboratories approved model.)  
CSA ..... Manufactured for Canadian market.  
SA..... Manufactured for South African market.  
BS, UK..... Manufactured for United Kingdom market.  
EU ..... Manufactured for European market.  
AS..... Manufactured for Australian market.  
XX <EXPORT> ..... Standard Version with Inner Voltage  
Selector.  
XX-V <EXPORT(V)> .... Standard Version with Outer Voltage  
Selector.  
NON MARK ..... Common Parts.

2. Some printed circuit boards are not supplied as the assembled. To separate these in this service manual, the stock No's are not indicated at the ends of the board names. However, the individual parts on the circuit boards are provided by orders.
3. Since some of capacitors and resistors are omitted from parts lists in this service manual, refer to the Common Parts List for capacitors & resistors, which was issued on February 1983.
4. Abbreviations in this service manual are as follows.

### •Abbreviations List

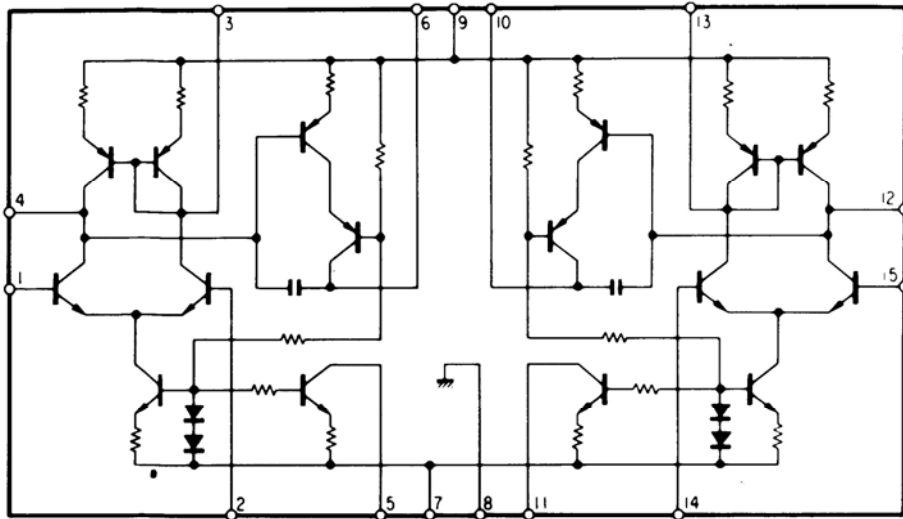
C.R.	: Carbon Resistor	E.B.L.	: Low Leak Bi-Polar Electrolytic Capacitor
S.R.	: Solid Resistor	Ta.C.	: Tantalum Capacitor
Ce.R.	: Cement Resistor	F.C.	: Film Capacitor
M.R.	: Metal Film Resistor	M.P.	: Metalized Paper Capacitor
F.R.	: Fusing Resistor	P.C.	: Polystyrene Capacitor
N.I.R.	: Non-Inflammable Resistor	G.C.	: Gimmic Capacitor
A.R.	: Array Resistor	A.C.	: Array Capacitor
C.C.	: Ceramic Capacitor	V.R.	: Variable Resistor
C.T.	: Ceramic Capacitor, Temperature Compensation	S.V.R.	: Semi Variable Resistor
E.C.	: Electrolytic Capacitor	SW.	: Switch
E.L.	: Low Leak Electrolytic Capacitor	Chip R.	: Chip Resistor
E.B.	: Bi-Polar Electrolytic Capacitor	Chip C.	: Chip Capacitor

# 1. BLOCK DIAGRAM

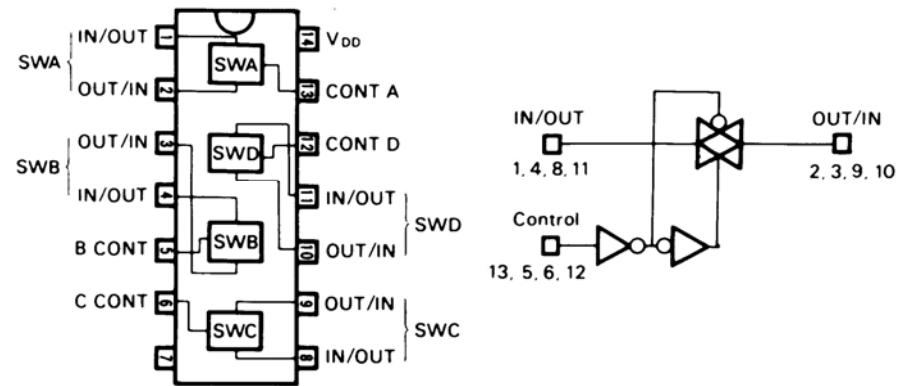


## 2. INTERIOR BLOCK DIAGRAM OF IC

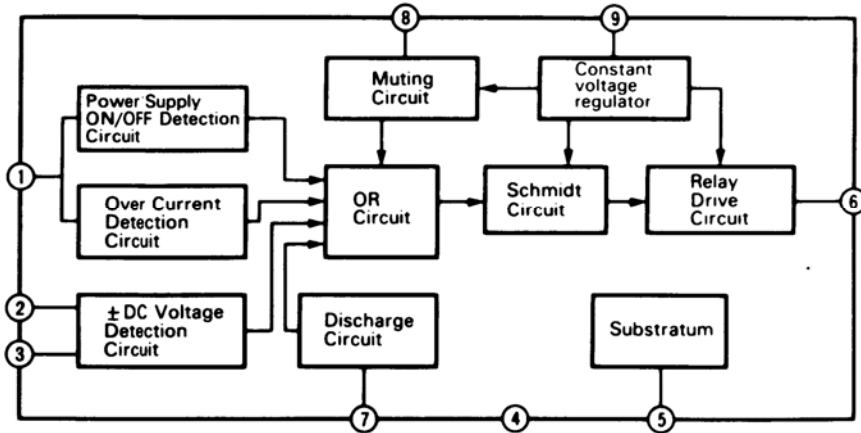
•STK3152-3 (Driver Amp. IC)



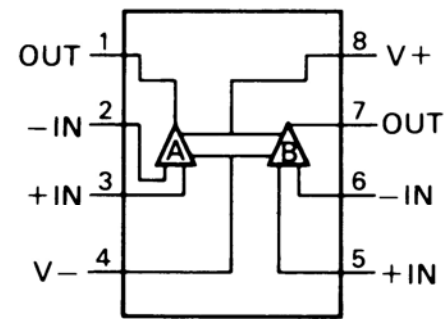
•LC4066BH/LC4966 (Quad Analog SW. IC)



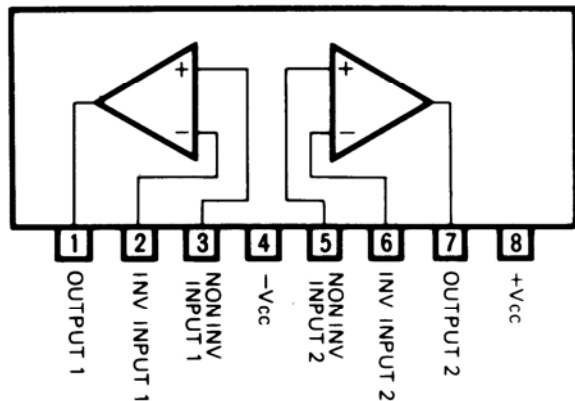
•TA7317P (Speaker Protector IC)



•NJM4558D (OP Amp. IC)



•M5218L (OP Amp. IC)



## 3. ADJUSTMENT (See Top View on page 9)

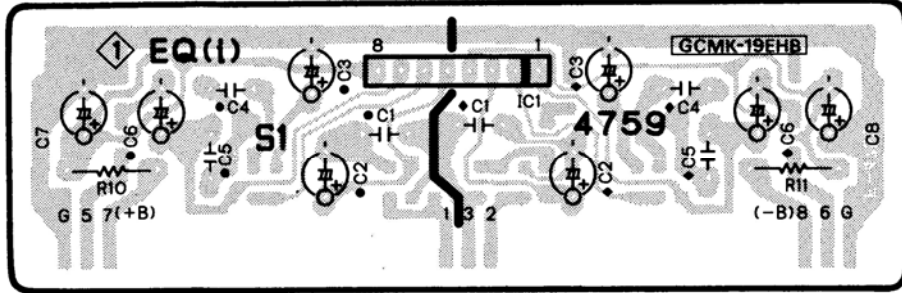
- Note:** 1) Master Volume .... Minimum  
2) Room Temperature .... 18°C ~ 28°C (65°F ~ 83°F)  
3) For this adjustment, run the unit for more than 5 minutes after the power is switched ON.  
4) Before turning ON power switch, set kVR1 on F-4762 to center position.

STEP	SUBJECT	MEASURE OUTPUT	ADJUST	ADJUST FOR	REMARKS
1.	Bias Current Adj. L-CH	Test Terminal (TP) <Between emitters of power transistors (kQ4L & kQ5L)>	kVR1, L-ch (F-4762)	DC 15mV ± 2mV	•This bias value is converted from current value into voltage by ohms law.
2.	Bias Current Adj. R-CH	Test Terminal (TP) <Between emitters of power transistors (kQ4R & kQ5R)>	kVR1, R-ch (F-4762)	DC 15mV ± 2mV	

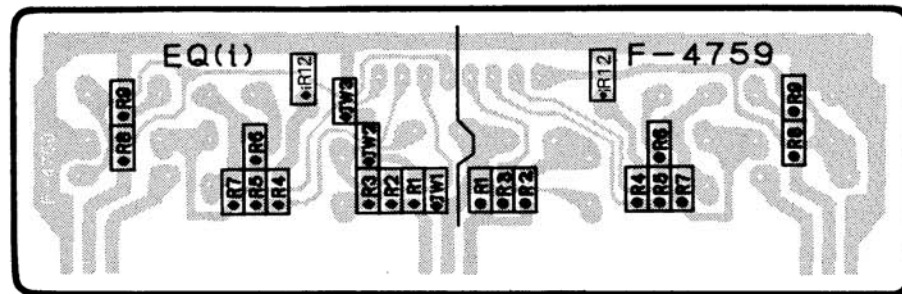
## 4. PARTS LOCATION & PARTS LIST

### 4-1. F-4759 Equalizer Amp. Board (Stock No. 00852601)

Component Side



Pattern Side <Chip Parts>



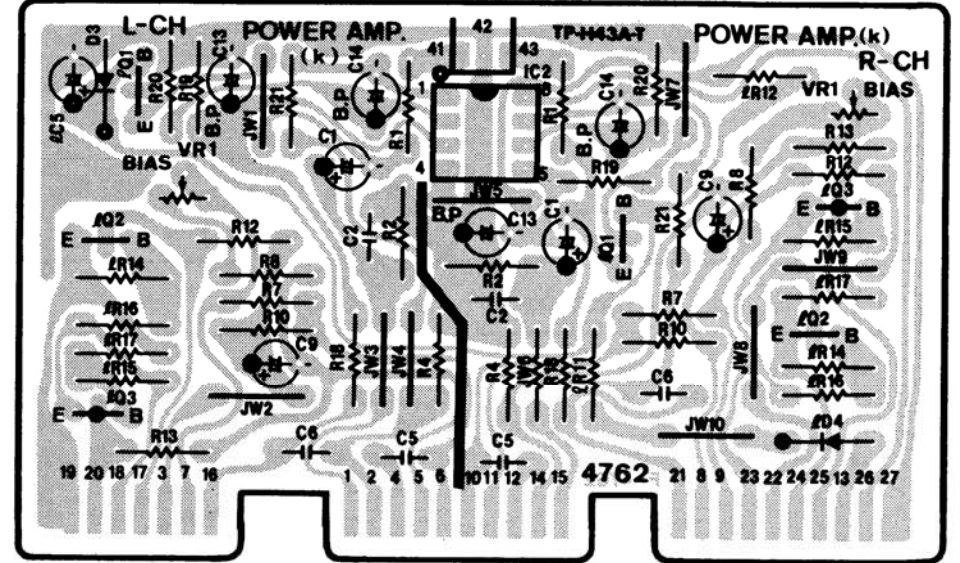
•Note: On this circuit board, the left channel is specified by "●" mark on top of the parts No.

#### Parts List

Parts No.	Stock No.	Description
•IC		
iIC1	46078900	M5218L
iJW1	46741100	Cross Conductor (Chip)
iJW2	46741100	Cross Conductor (Chip)
iJW3	46741100	Cross Conductor (Chip)
iR1	46752400	100kΩ 1/8W Chip R.
iR2	46746800	470Ω 1/8W Chip R.
iR3	46752400	100kΩ 1/8W Chip R.
iR4	46746900	510Ω 1/8W Chip R.
iR5	46746900	510Ω 1/8W Chip R.
iR6	46750800	22kΩ 1/8W Chip R.
iR7	46753500	300kΩ 1/8W Chip R.
iR8	46746800	470Ω 1/8W Chip R.
iR9	46752400	100kΩ 1/8W Chip R.
△iR10	46229000	100Ω 1/2W N.I.R.
△iR11	46229000	100Ω 1/2W N.I.R.
iR12	46752400	100kΩ 1/8W Chip R.
iC4	46282400	3300pF 50V F.C.
iC5	46283000	0.012μF 50V F.C.

### 4-2. F-4762 Driver Amp. Board (Stock No. 00915901)

Component Side

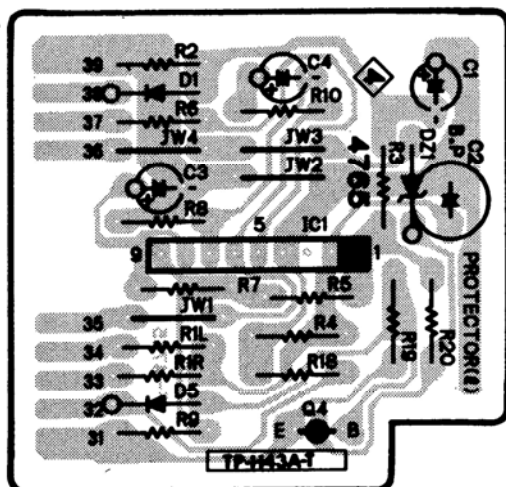


#### Parts List

Parts No.	Stock No.	Description
•IC		
kIC2	03607700	NJM4558D
△kR12	46228600	47Ω 1/2W N.I.R.
△kR13	46228600	47Ω 1/2W N.I.R.
kC13	48103500	2.2μF 50V E.B.
kC14	48102400	4.7μF 25V E.B.
kVR1	07261600	1kΩ (B) S.V.R., Bias adj.
•Transistor		
IQ1	46367301	2SC2458
	or 46581701	2SC1845
IQ2	46367101	2SC2603
	or 46367301	2SC2458
IQ3	46367001	2SA1115
	or 46367201	2SA1048
•Diode		
ID3	03117600	1S2473T77
	or 46086000	1S1588TP-3
ID4	03117600	1S2473T77
	or 46086000	1S1588TP-3

### 4-3. F-4765 Protector Board (Stock No. 00916001)

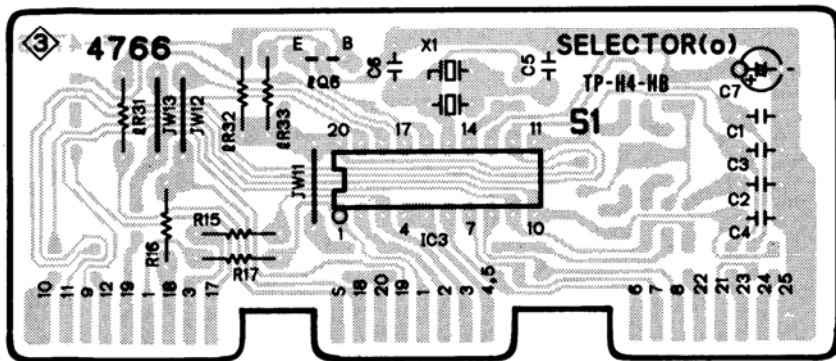
Component Side



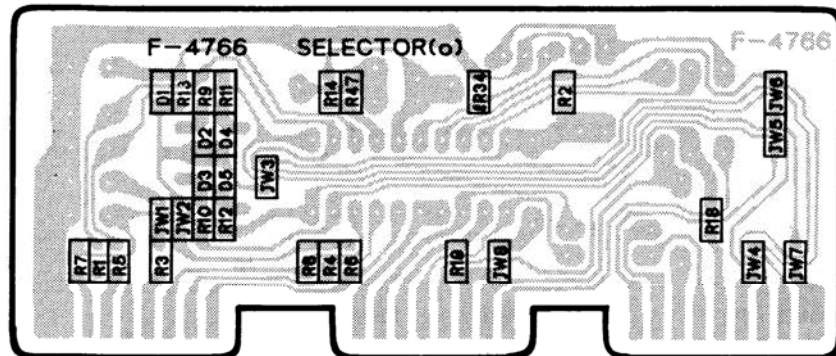
#### Parts List

Parts No.	Stock No.	Description
•Transistor		
IQ4	07299601	2SA1115
	or 46078701	2SA1048
•IC		
iIC1	46207600	TA7317P
•Diode		
ID1	03117600	1S2473T77
	or 46086000	1S1588TP-3
ID5	03117600	1S2473T77
	or 46086000	1S1588TP-3
•Zener Diode		
IDZ1	46115400	05Z20-Y
IC2	48101500	100μF 6.3V E.B.

4-4. F-4766 INPUT SELECTOR Control Board  
Component Side (Stock No. 00916101)



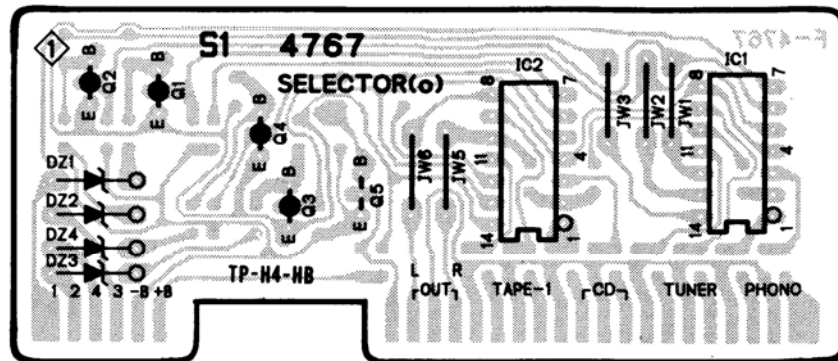
Pattern Side <Chip Parts>



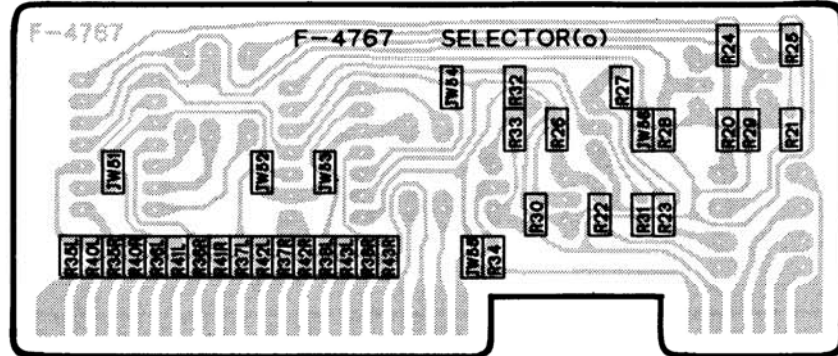
Parts List

Parts No.	Stock No.	Description
•Transistor		
oQ6	46188701 or 46367101 or 46367301	2SC1815 2SC2603 2SC2458
IR34	46749200	4.7kΩ 1/8W Chip R.
•IC		
oIC3	48158300	M50761-450P
oXO1	46396200 or 46668700	Ceramic Element CSB400P Ceramic Element KBR-400B
•Diode		
oD1	46852000	RLS-73 (Chip)
oD2	46852000	RLS-73 (Chip)
oD3	46852000	RLS-73 (Chip)
oD4	46852000	RLS-73 (Chip)
oD5	46852000	RLS-73 (Chip)
oJW1	46741100	Cross Conductor (Chip)
oR1	46747600	1kΩ 1/8W Chip R.
oR2	46749200	4.7kΩ 1/8W Chip R.
oR3	46747600	1kΩ 1/8W Chip R.
oR4	46748000	1.5kΩ 1/8W Chip R.
oR5	46747600	1kΩ 1/8W Chip R.
oR6	46748000	1.5kΩ 1/8W Chip R.
oR7	46747600	1kΩ 1/8W Chip R.
oR8	46748000	1.5kΩ 1/8W Chip R.
oR9	46750000	10kΩ 1/8W Chip R.
oR10	46750000	10kΩ 1/8W Chip R.
oR11	46750000	10kΩ 1/8W Chip R.
oR12	46750000	10kΩ 1/8W Chip R.
oR13	46752400	100kΩ 1/8W Chip R.
oR14	46754800	1MΩ 1/8W Chip R.
oR18	46746600	390Ω 1/8W Chip R.
oR19	46751800	56kΩ 1/8W Chip R.
oR47	46748800	3.3kΩ 1/8W Chip R.

4-5. F-4767 Input Signal Selector Board  
Component Side (Stock No. 00916201)



Pattern Side <Chip Parts>

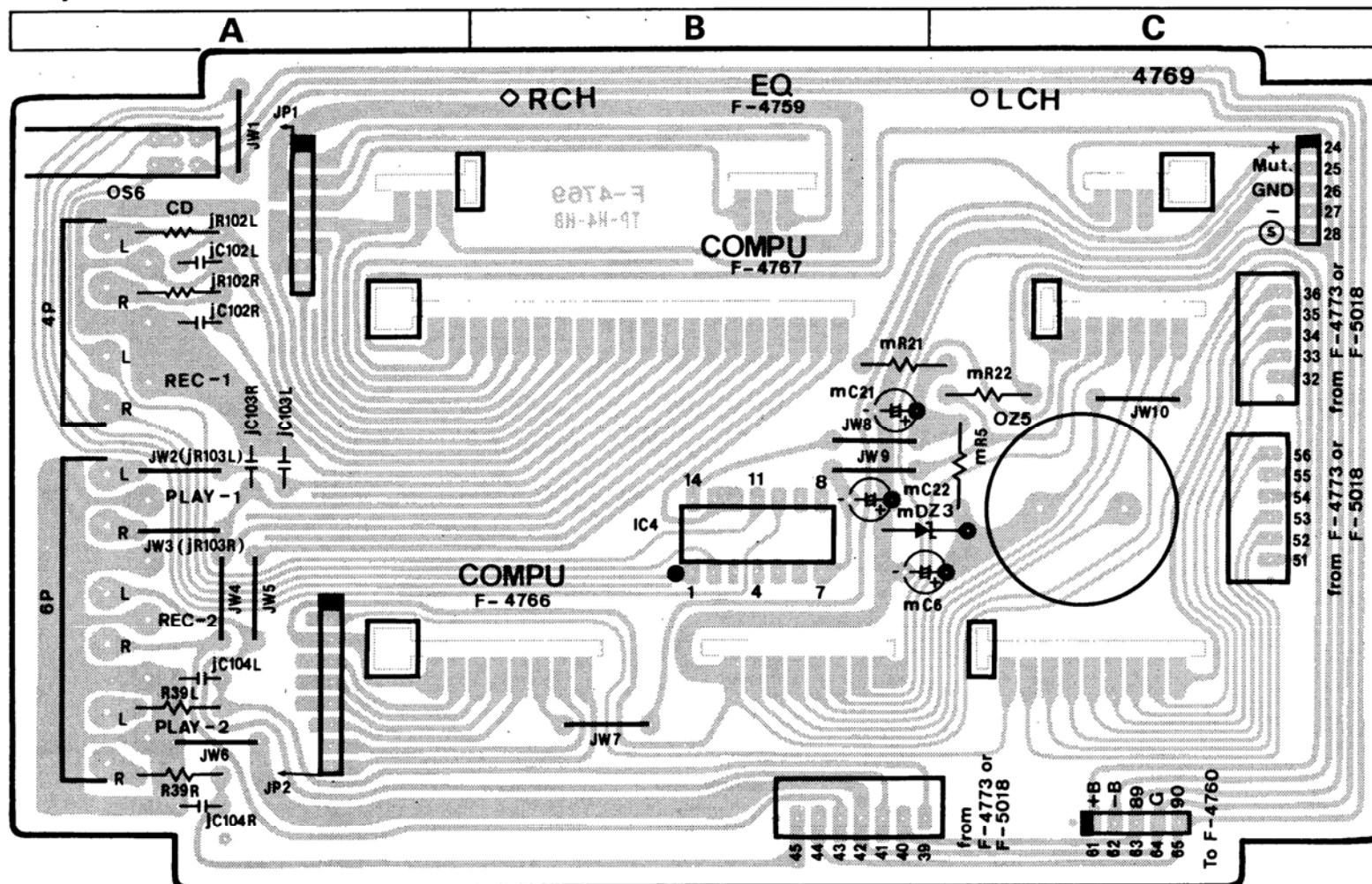


Parts List

Parts No.	Stock No.	Description
•Transistor		
oQ1	46188601 or 46367001 or 46367201	2SA1015 2SA1115 2SA1048
oQ2	46188601 or 46367001 or 46367201	2SA1015 2SA1115 2SA1048
oQ3	46188601 or 46367001 or 46367201	2SA1015 2SA1115 2SA1048
oQ4	46188601 or 46367001 or 46367201	2SA1015 2SA1115 2SA1048
oQ5	46188701 or 46367101 or 46367301	2SC1815 2SC2603 2SC2458
•IC		
oIC1	46255000 or 48056800	LC4066BH LC4966
oIC2	46255000 or 48056800	LC4066BH LC4966
•Zener Diode		
oDZ1	46112700	05Z8.2-Y
oDZ2	46112700	05Z8.2-Y
oDZ3	46112700	05Z8.2-Y
oDZ4	46112700	05Z8.2-Y
oJW51	46741100	Cross Conductor (Chip)
oR20	46747200	680Ω 1/8W Chip R.
oR21	46747200	680Ω 1/8W Chip R.
oR22	46747200	680Ω 1/8W Chip R.
oR23	46747200	680Ω 1/8W Chip R.
oR24	46749200	4.7kΩ 1/8W Chip R.
oR25	46749200	4.7kΩ 1/8W Chip R.
oR26	46749200	4.7kΩ 1/8W Chip R.
oR27	46749200	4.7kΩ 1/8W Chip R.
oR28	46751600	47kΩ 1/8W Chip R.
oR29	46751600	47kΩ 1/8W Chip R.
oR30	46751600	47kΩ 1/8W Chip R.
oR31	46751600	47kΩ 1/8W Chip R.
oR32	46750800	22kΩ 1/8W Chip R.
oR33	46749200	4.7kΩ 1/8W Chip R.
oR34	46751600	47kΩ 1/8W Chip R.
oR35	46749200	4.7kΩ 1/8W Chip R.
oR36	46749200	4.7kΩ 1/8W Chip R.
oR37	46749200	4.7kΩ 1/8W Chip R.
oR38	46749200	4.7kΩ 1/8W Chip R.
oR40	46754000	470kΩ 1/8W Chip R.
oR41	46754000	470kΩ 1/8W Chip R.
oR42	46754000	470kΩ 1/8W Chip R.
oR43	46754000	470kΩ 1/8W Chip R.

4-6. F-4769 CD/AUX, TAPE-1 & TAPE-2 Terminal Board (Stock No. 00916401)

Component Side



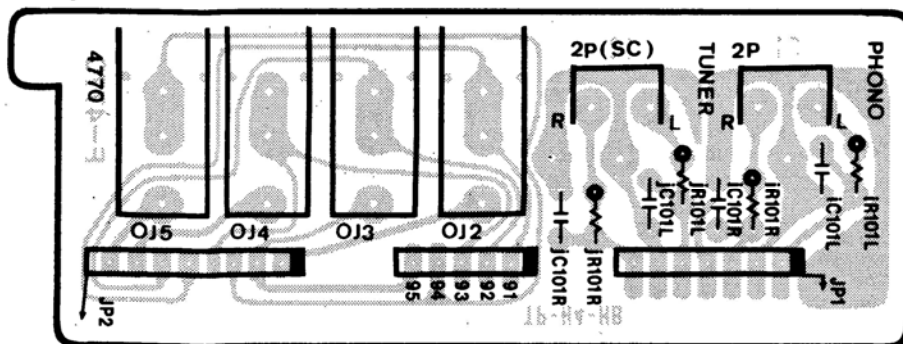
Parts List

Parts No.	Stock No.	Description
• Zener Diode		
mDZ3	46100900	05Z5.1-X
	or 46101000	05Z5.1-Y
△ mR5	46229500	270Ω 1/2W N.I.R.
• IC		
oIC4	46255000	LC4066BH
	or 48056800	LC4966

Parts No.	Stock No.	Description
• Diode		
oD6	07176400	1S2473HS
oS6	46670600	Push SW., DECK SELECTOR
oZ3	46546800	6P Terminal, TAPE-1 PLAY, TAPE-2
oZ5	48178400	Buzzer
	or 48268200	Buzzer
oZ6	46371500	4P Terminal, CD/AUX, TAPE-1 REC

4-7. F-4770 PHONO, TUNER COMPU SELECTOR Terminal Board

Component Side

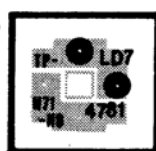


Parts List

Parts No.	Stock No.	Description
oJ2	46547200	Jack, PHONO (COMPU SELECTOR)
oJ3	46547200	Jack, TUNER (COMPU SELECTOR)
oJ4	46547200	Jack, CD/AUX (COMPU SELECTOR)
oJ5	46547200	Jack, TAPE-1 (COMPU SELECTOR)
oZ2	46438100	2P Terminal, PHONO
oZ7	46363700	2P Terminal, TUNER

4-8. F-4781 HIGH F. RANGE Indicator Board

Component Side

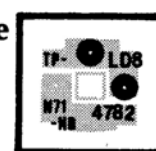


Parts List

Parts No.	Stock No.	Description
• LED		
nLD7	48200300	EBR2201S

4-9. F-4782 LOW F. RANGE Indicator Board

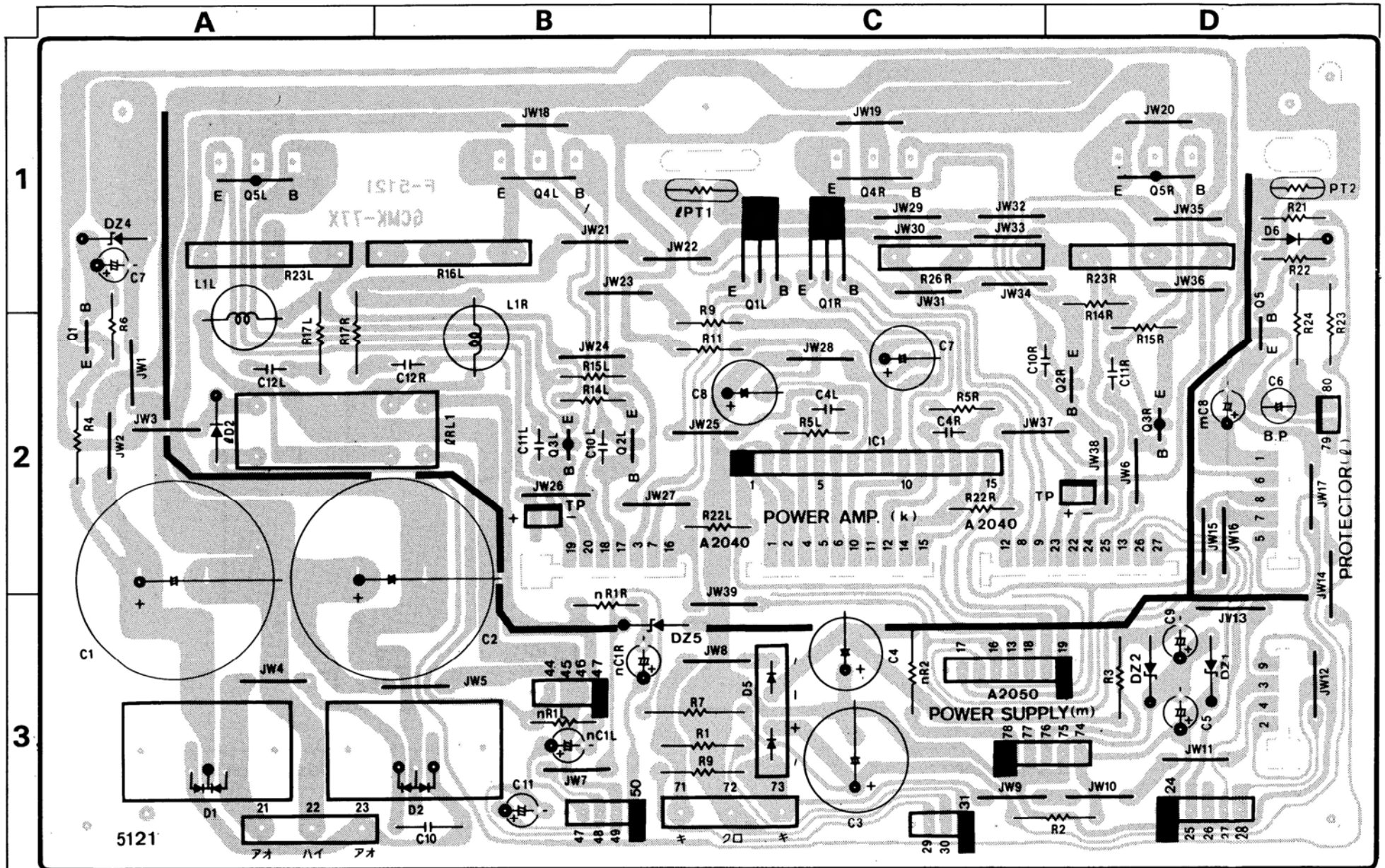
Component Side



Parts List

Parts No.	Stock No.	Description
• LED		
nLD8	48200300	EBR2201S

**4-10. F-5121 Power Amp. & Power Supply Board (Stock No. 00917801)**  
Component Side

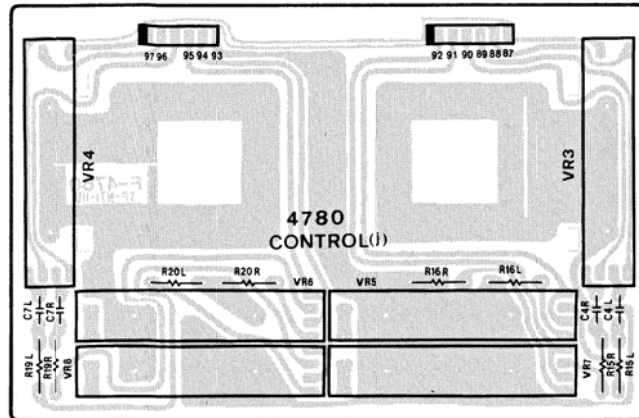


**Parts List**

Parts No.	Stock No.	Description	Parts No.	Stock No.	Description
<b>•Transistor</b>			<b>•Transistor</b>		
△kQ1	03067401	2SC1845	△IR23	46249300	100Ω 1W N.I.R.
△kQ2	48170001	2SC2592	△IR24	46249300	100Ω 1W N.I.R.
△	or 48263101	2SC3298A	IC6	48108300	3.3μF 50V E.B.
△kQ3	48169901	2SA1112	IRL1	48183100	Relay
△	or 48263001	2SA1306A		or 48183200	Relay
△kQ4	07246801	2SC2773	<b>•Transistor</b>		
△kQ5	07246601	2SA1169	△mQ1	03083901	2SD313AL
<b>•IC</b>			△	or 46546701	2SD880
kIC1	48127000	STK3152-3	△	or 48073601	2SD1061
△kR9	46228400	33Ω 1/2W N.I.R.	<b>•Diode</b>		
△kR11	46228400	33Ω 1/2W N.I.R.	△mD1	48159900	CTM-22S
△kR12	46228600	47Ω 1/2W N.I.R.	△mD2	48159800	CTM-22R
△kR13	46228600	47Ω 1/2W N.I.R.	△mD5	03117000	RB152-LFF
△kR14	46229200	150Ω 1/2W N.I.R.	<b>•Zener Diode</b>		
△kR15	46229200	150Ω 1/2W N.I.R.	mDZ1	03150601	EQB01-12
△kR16	07235100	0.47Ω 5WX2 3P Ce.R.		or 03170300	RD12F
△kR17	00137700	10Ω 1W N.I.R.	mDZ2	03150601	EQB01-12
△kR23	07235100	0.47Ω 5WX2 3P Ce.R.		or 03170300	RD12F
kC7	46312800	47μF 100V E.C.	mDZ4	46116000	05Z24-Y
kC8	46312800	47μF 100V E.C.		or 46116100	05Z24-Z
kC12	46283700	0.047μF 50V F.C.	mDZ5	03156000	EQB01-10
				or 03169900	RD10F
KL1	46851901	Filter Coil 0.82μH	△mR1	46248700	33Ω 1W N.I.R.
<b>•Transistor</b>			△mR2	46624400	120Ω 2W N.I.R.
IQ5	48059501	2SC3244	△mR3	46249600	180Ω 1W N.I.R.
<b>•Diode</b>			△mR4	46250300	680Ω 1W N.I.R.
ID2	48123600	11E-2	△mR7	46624400	120Ω 2W N.I.R.
ID6	03117600	1S2473T77	△mR9	46248700	33Ω 1W N.I.R.
	or 46086000	1S1588TP-3	mC1	48201400	8200μF 80V E.C.
IPT1	48262800	Posistor	mC2	48201400	8200μF 80V E.C.
△IPT2	48262700	Posistor	mC10	08680400	0.01μF 500V C.C.
			△nR2	46250700	1.5kΩ 1W N.I.R.



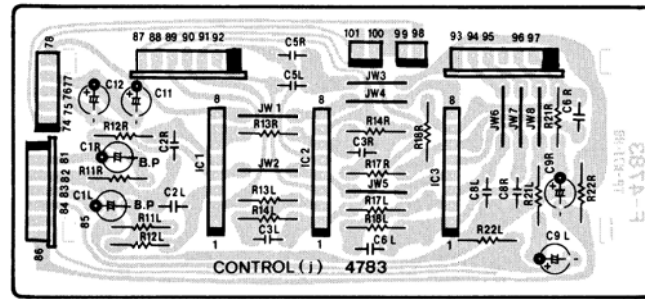
4-11. F-4780 PARAMETRIC EQ. V.R. Board  
Component Side



Parts List

Parts No.	Stock No.	Description
jC4	46279800	2200pF 50V F.C.
jC7	46281100	0.033μF 50V F.C.
jVR3	48196700	10kΩ (B) V.R., HIGH F. Level
jVR4	48196700	10kΩ (B) V.R., LOW F. Level
jVR5	48196600	100kΩ (C) V.R., HIGH F. RANGE
jVR6	48196600	100kΩ (C) V.R., LOW F. RANGE
jVR7	48196500	100kΩ (C) V.R., HIGH F. RANGE
jVR8	48196500	100kΩ (C) V.R., LOW F. RANGE

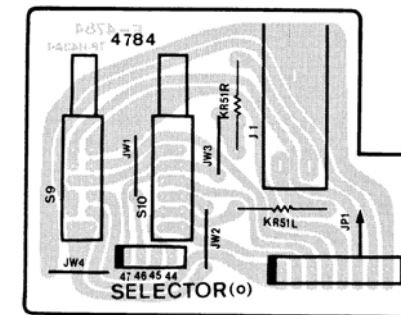
4-12. F-4783 PARAMETRIC EQ. Amp. Board  
Component Side



Parts List

Parts No.	Stock No.	Description
•IC		
jIC1	46078900	M5218L
	or 46147700	M5218L
jIC2	46078900	M5218L
	or 46147700	M5218L
jIC3	46078900	M5218L
	or 46147700	M5218L
jC1	48103400	1μF 50V E.B.
jC5	46281800	1000pF 50V F.C.
jC8	46283100	0.015μF 50V F.C.

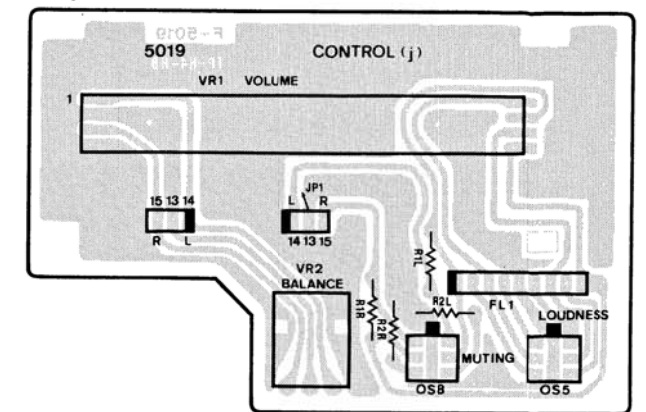
4-14. F-4784 SPEAKERS SW. Board  
Component Side



Parts List

Parts No.	Stock No.	Description
oS9	46941800	Push SW., SPEAKERS-B
oS10	46941800	Push SW., SPEAKERS-A
oJ1	46265700	Jack, PHONES

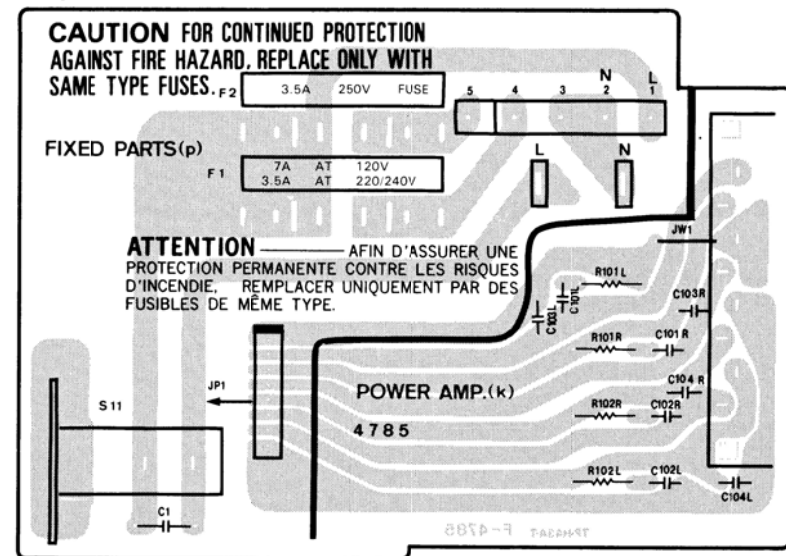
4-15. F-5019 VOLUME Control Board  
Component Side



Parts List

Parts No.	Stock No.	Description
jFL1	48172000	CR Module
jVR1	48171000	150kΩ (B) V.R., VOLUME
jVR2	48196400	250KΩ V.R., BALANCE
oS5	48224600	Push SW., LOUDNESS
oS8	48224600	Push SW., MUTING

4-13. F-4785 SPEAKERS Terminal & Power SW. Board  
Component Side

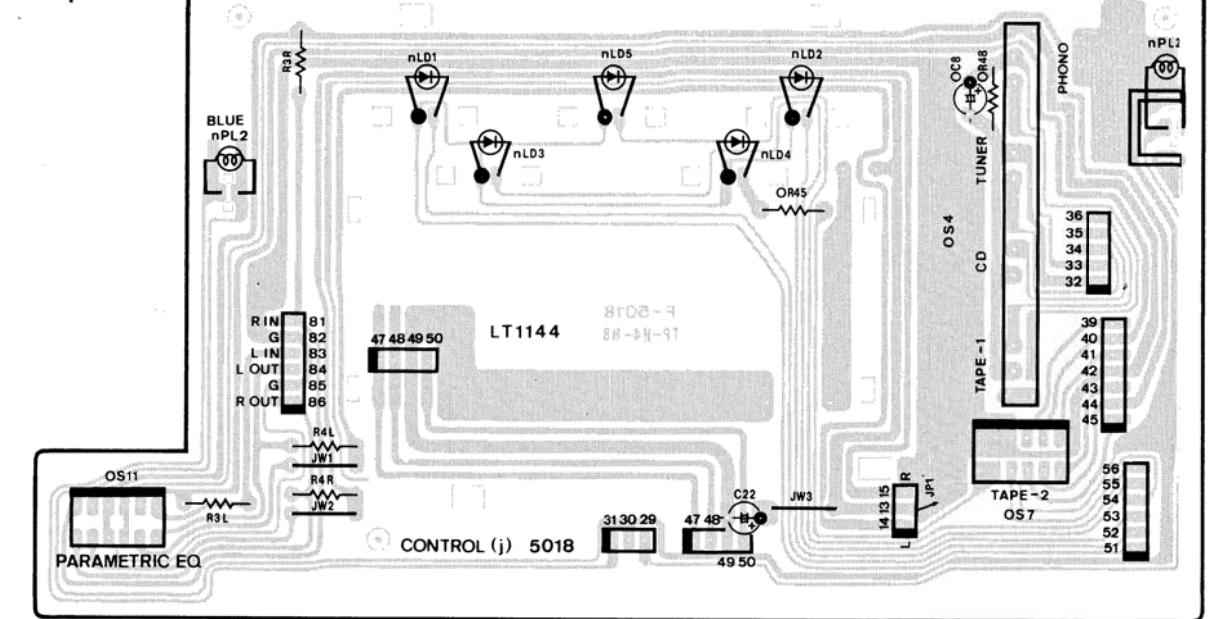


Parts List

Parts No.	Stock No.	Description
oZ4	46947500	8P Terminal, SPEAKERS
ΔpC1	46425800	0.01μF 400V C.C.
	or 46943200	0.01μF 400V C.C.
ΔpF1	07188900	Fuse 3.5A 250V A-1200P (XX-V)
	or 48267100	Fuse 3.5A 250V A-1200P (XX-V)
	48267500	Fuse 7.0A 250V for A-1200P (UL,CSA) & CLASSIQUE A-1230P

Parts No.	Stock No.	Description
Δ	07185000	Fuse 2.0A 250V for A-1200P (EU,BS)
ΔpF2	07188900	Fuse 3.5A 250V A-1200P (XX-V)
	or 48267100	Fuse 3.5A 250V A-1200P (XX-V)
ΔpS11	48113300	Push SW., PCWER for A-1200P (XX-V,UL,EU,BS) & CLASSIQUE A-1230P
Δ	48065100	Push SW., POWER for A-1200P (CSA)

4-16. F-5018 INPUT SELECTOR SW. Board  
Component Side



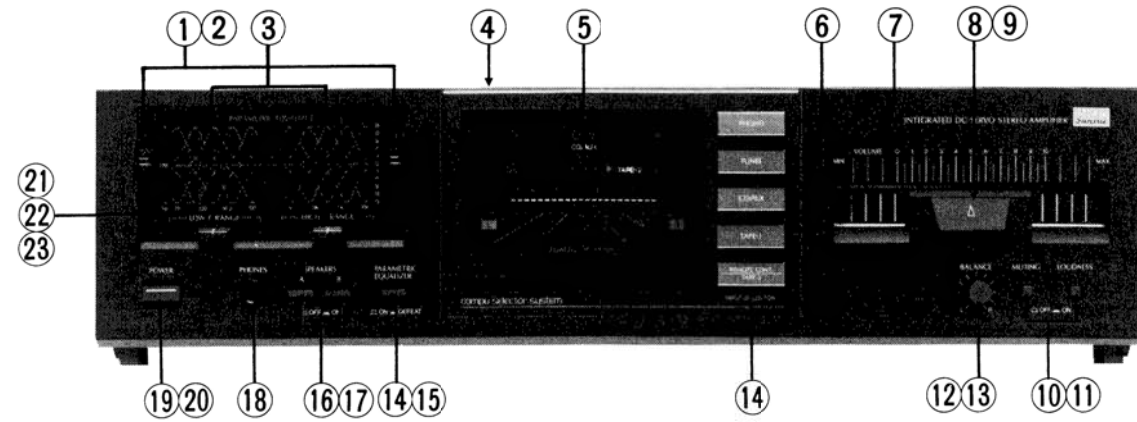
Parts List

Parts No.	Stock No.	Description
•LED		
nLD1	48172100	BR3447S
nLD2	48172100	BR3447S
nLD3	48172100	BR3447S
nLD4	48172100	BR3447S
nLD5	48172100	BR3447S

Parts No.	Stock No.	Description
nPL1	48191900	12V 0.15A Pilot Lamp
nPL2	46286600	12V 0.15A Pilot Lamp
oS4	48178600	Push SW., INPUT SELECTOR
oS7	46556300	Push SW., REMOTE CONTROL TAPE-2
oS11	46556300	Push SW., PARAMETRIC EQ

## 5. OTHER PARTS

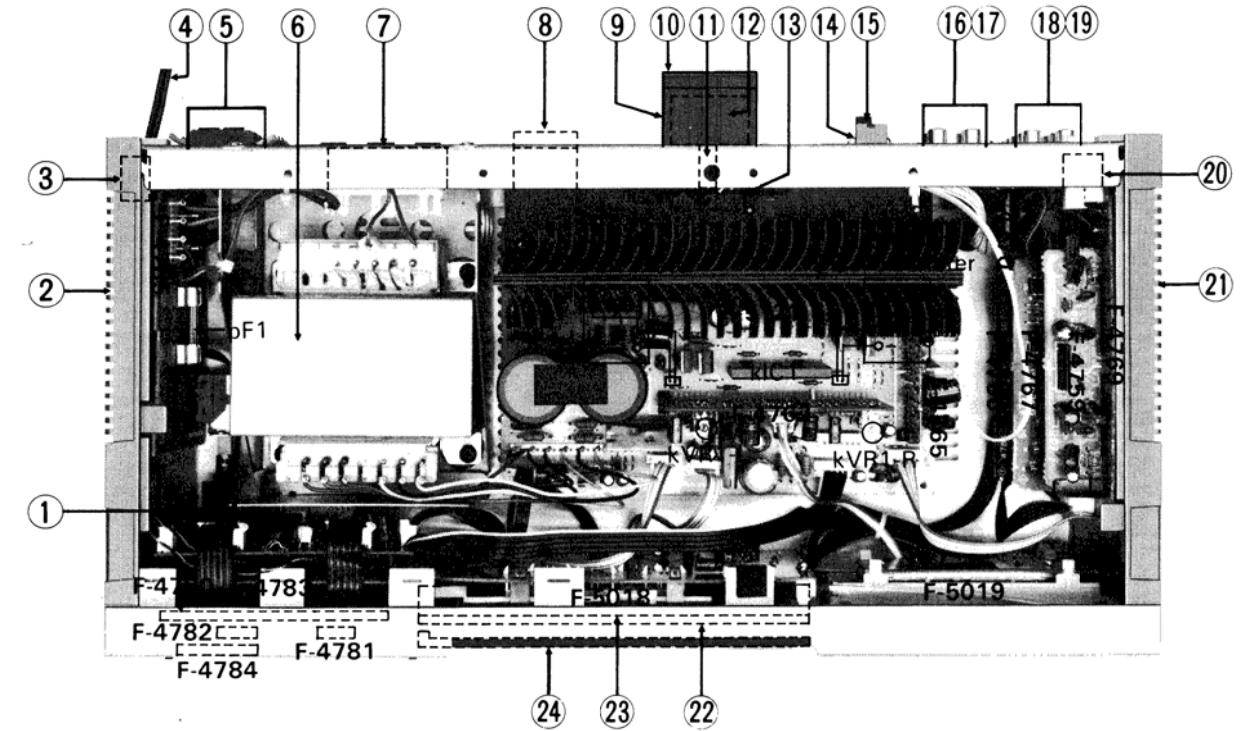
5-1. Front View



Parts List <Front View>

Parts No.	Stock No.	Description	Parts No.	Stock No.	Description
1	47867700	Knob, HIGH F. Level, LOW F. Level		07895410	Knob, BALANCE for A-1200P Black Model & CLASSIQUE A-1230P
2	48196700	10kΩ (B) V.R., HIGH F. Level, LOW F. Level	13	48196400	250kΩ V.R., BALANCE
3	47868710	Cursor Lever Ass'y PARAMETRIC EQ-HIGH F. & LOW F.	14	46556300	Push SW., REMOTE CONT./TAPE-2 PARAMETRIC EQ
4	47910100	Bonnet for A-1200P Silver Model	15	47893300	Knob, PARAMETRIC EQ for A-1200P Silver Model
	47910200	Bonnet for A-1200P Black Model & CLASSIQUE A-1230P		47893200	Knob, PARAMETRIC EQ for A-1200P Black Model & CLASSIQUE A-1230P
5	48185810	Power Level Meter	16	47894500	Knob, SPEAKERS for A-1200P Silver Model
6	48178600	Push SW., PHONO, TUNER, CD/AUX, TAPE-1		47560200	Knob, SPEAKERS for A-1200P Black Model & CLASSIQUE A-1230P
7	27007500	Front Panel Ass'y A-1200P Silver Model	17	46941800	Push SW., SPEAKERS
	27007600	Front Panel Ass'y for A-1200P Black Model	18	46265700	Jack, PHONES
	27007900	Front Panel Ass'y CLASSIQUE A-1230P	19	47746800	Knob, POWER for A-1200P Silver Model
8	47761410	Knob Ass'y, VOLUME for A-1200P Silver Model		47746900	Knob, POWER for A-1200P Black Model & CLASSIQUE A-1230P
	47761510	Knob Ass'y, VOLUME for A-1200P Black Model & CLASSIQUE A-1230P	△20	48113300	Push SW., POWER for A-1200P (XX-V,UL,EU,BS) & CLASSIQUE A-1230P
9	48171000	150kΩ (B) V.R., VOLUME	△	48065100	Push SW., POWER for A-1200P (CSA)
10	47763410	Push Knob, LOUDNESS, MUTING for A-1200P Silver Model	21	47867900	Knob, HIGH F. RANGE, LOW F. RANGE
	47763510	Push Knob, LOUDNESS, MUTING for A-1200P Black Model & CLASSIQUE A-1230P	22	48196500	100kΩ V.R., HIGH F. RANGE, LOW F. RANGE (jVR7,8)
11	48224600	Push SW., LOUDNESS, MUTING	23	48196600	100kΩ V.R., HIGH F. RANGE, LOW F. RANGE (jVR5,6)
12	47794600	Knob, BALANCE for A-1200P Silver Model			

5-2. Top View

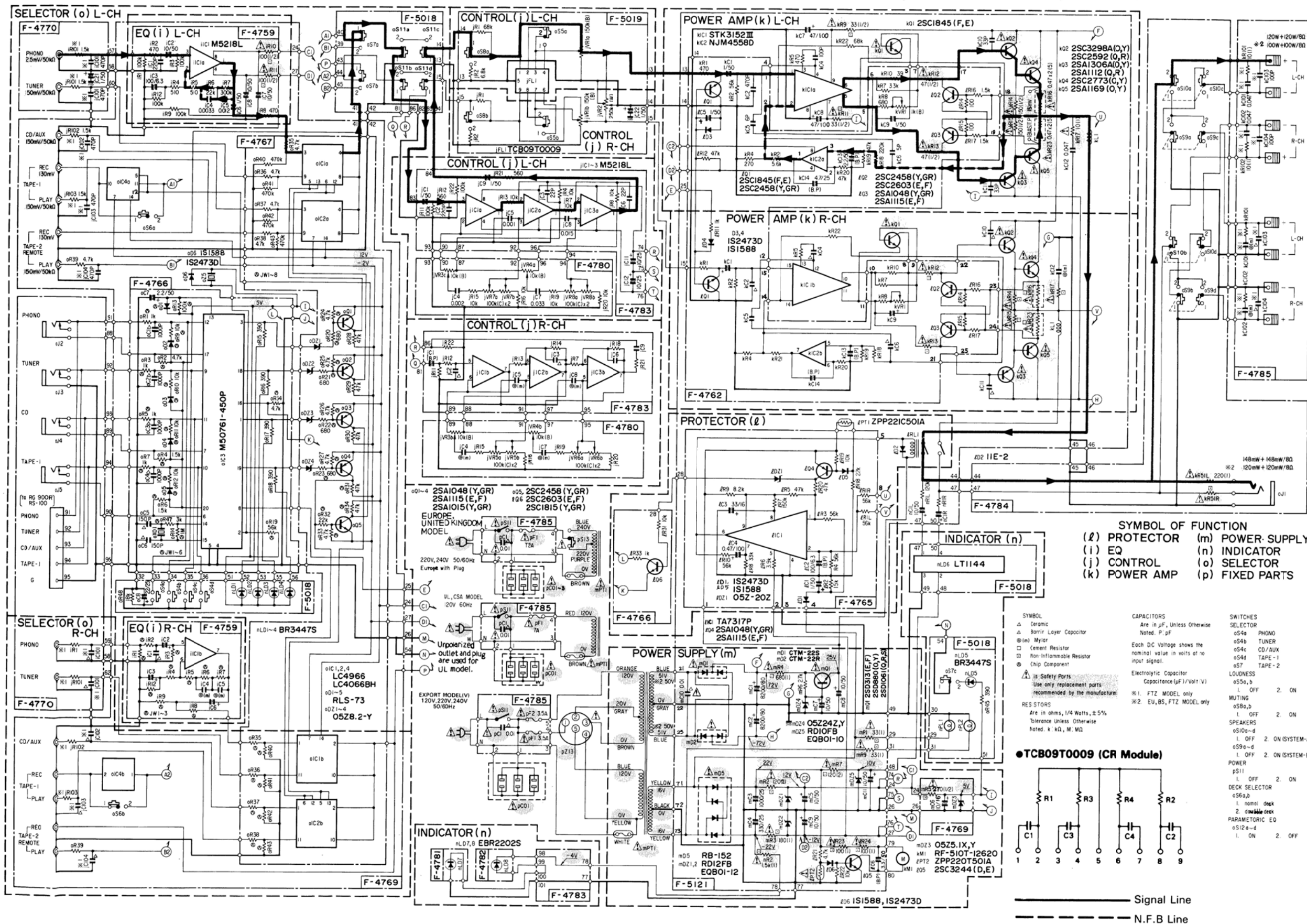


Parts List <Top View>

Parts No.	Stock No.	Description	Parts No.	Stock No.	Description
1	47809700	Joint Shaft, Power SW.,	△	46161000	AC OUTLET for A-1200P (EU)
2	47924100	Side Panel Ass'y (Left) for A-1200P Silver Model	△ 8	48175200	Plug, VOLTAGE SELECTOR for A-1200P (XX-V)
	47924200	Side Panel Ass'y (Left) for A-1200P Black Model & CLASSIQUE A-1230P	9	47808100	Motor Holder
3	47770900	Power Supply Cord Cover	10	47808000	Motor Cover
△ 4	38004700	Power Supply Cord for A-1200P (XX-V,UL) & CLASSIQUE A-1230P	11	47878000	Spacer
△	48187800	Power Supply Cord for A-1200P (CSA)	12	46737500	DC Motor
△	46128900	Power Supply Cord for A-1200P (EU)	13	07255000	Fan
△	38004300	Power Supply Cord for A-1200P (BS)	14	16406800	5P-Terminal, REMOTE CONTROL
5	46947500	8P Terminal, SPEAKERS	15	22301510	Ground Terminal
△ 6	15021709	Power Transformer with VOLTAGE SELECTOR Socket (XX-V)	16	46438100	2P-Terminal, PHONO
△	15021702	Power Transformer for A-1200P (UL,CSA) & CLASSIQUE A-1230P	17	46363700	2P-Terminal, TUNER
△	15021705	Power Transformer for A-1200P (EU,BS)	18	46546800	6P-Terminal, TAPE-1 PLAY, TAPE-2
△ 7	46360100	AC OUTLET for A-1200P (XX-V,UL) & CLASSIQUE A-1230P	19	46371500	4P-Terminal, CD/AUX, TAPE-1 REC
△	48184800	AC OUTLET for A-1200P (CSA,BS)	20	46670600	Push SW., DECK SELECTOR
			21	47923900	Side Panel Ass'y (Right) for A-1200P Silver Model
				47924000	Side Panel Ass'y (Right) for A-1200P Black Model & CLASSIQUE A-1230P
			22	47807700	Mask Plate
			23	47822400	Mask Plate Holder
			24	47761300	Scale Plate, POWER LEVEL METER

# 6. SCHEMATIC DIAGRAM

• Design and specifications subject to change without notice for improvement.  
• La présentation et les spécifications sont susceptibles d'être modifiées sans préavis par suites d'améliorations éventuelles.  
• Änderungen, die dem technischen Fortschritt dienen, bleiben vorbehalten.



**SYMBOL OF FUNCTION**

(l) PROTECTOR	(m) POWER-SUPPLY
(i) EQ	(n) INDICATOR
(j) CONTROL	(o) SELECTOR
(k) POWER AMP	(p) FIXED PARTS

**SYMBOL**

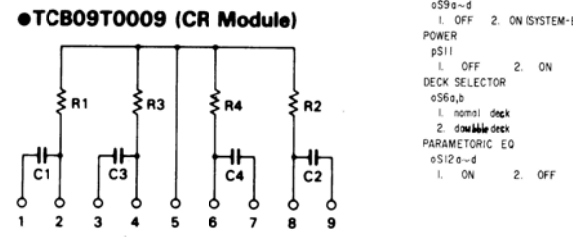
- △ Ceramic
- Barror Layer Capacitor
- ⊖ (m) Mylar
- ⊖ Cement Resistor
- ⊖ Non-Inflammable Resistor
- ⊖ Chip Component
- ⚠ Safety Parts
- RESISTORS

**CAPACITORS**

- Are in  $\mu\text{F}$ , Unless Otherwise
- Are in  $\mu\text{F}$ , Unless Otherwise
- Each DC Voltage shows the nominal value in volts at no input signal.
- Electrolytic Capacitor
- Capacitance ( $\mu\text{F}$ /Volt/V)
- FTZ MODEL only
- EU, BS, FTZ MODEL only

**SWITCHES**

- o59a PHONO
- o54b TUNER
- o54c CD/AUX
- o54d TAPE-1
- o57 TAPE-2
- LOUDNESS
- o55a, b
- MUTING
- o58a, b
- 1 OFF 2 ON
- SPEAKERS
- o510a-d
- 1 OFF 2 ON (SYSTEM-A)
- o59a-d
- 1 OFF 2 ON (SYSTEM-B)
- POWER
- o511
- 1 OFF 2 ON
- DECK SELECTOR
- o56a, b
- 1 nominal deck
- 2 2nd deck
- PARAMETRIC EQ
- o512a-d
- 1 ON 2 OFF

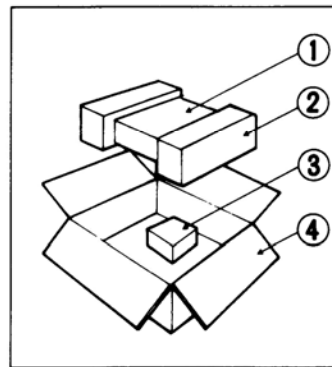


- 2SA1015
- 2SA1306
- 2SC1815
- 2SC2592
- 2SC1845
- 2SC3298
- 2SD1061
- 2SA1048
- 2SA1115
- 2SC2458
- 2SC2603
- 2SA1112
- 2SA1169
- 2SC2773
- LC4066BH
- LC4966
- NJM4558
- Dot or Slit or Line
- TCB09T0009
- STK-3152-3
- M5218L
- TA7317P
- RB152-LFF
- 1S1588TP-3
- 1S2473T77
- 11E-2
- 05Z5.1-X
- 05Z8.2-Y
- 05Z20-Y
- 05Z24-Y
- RD10F-B
- RD12F-B
- EQB01-10
- EQB01-12

1  
2  
3  
4  
5

## 7. PACKING LIST

Parts No.	Stock No.	Description
1	47859900	Vinyl Bag
2	47764610	Styrofoam Packing
3	47933600	Sub Packing
< Silver Model >		
4	27006800	Carton Case (A-1200P,UL,CSA,EU,BS)
	27006600	Carton Case (A-1200P, XX-V)
< Black Model >		
4	27006900	Carton Case (A-1200P,UL,CSA,EU,BS)
	27006700	Carton Case (A-1200P,XX-V)
	27006500	Carton Case (CLASSIQUE A-1230P)



## 8. ACCESSORY LIST

Stock No.	Description
46985500	Operating Instruction for A-1200/A-1200P (XX-V,UL,CSA)
46985600	Operating Instruction for CLASSIQUE A-1230P
46987100	Operating Instruction for A-1200P (EU,BS)
46984300	Operating Instruction Sheet