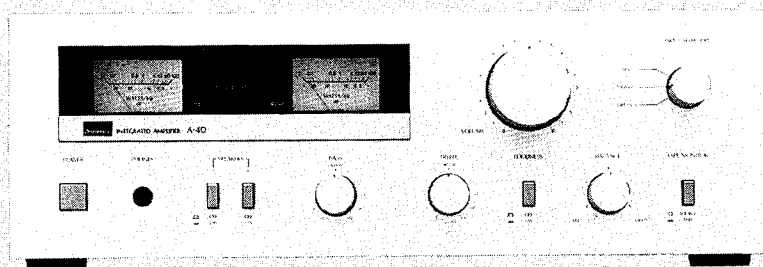


SERVICE MANUAL

INTEGRATED STEREO AMPLIFIER

SANSUI A-40



SPECIFICATIONS

Power output

Min. RMS, both channels driven, from 35 to 20,000 Hz,
with no more than 0.09 % total harmonic distortion
25 watts per channel into 8 ohms

Load impedance 8 ohms

Total harmonic distortion

. less than 0.09 % at or below rated
min. RMS power output

Frequency response (at 1 watt)

. 10 to 50,000 Hz
+0.5 dB, -2 dB

RIAA curve deviation (PHONO, 30 Hz to 15 kHz)

. +1 dB, -1 dB

Input sensitivity and impedance (1 kHz, for rated power output)

PHONO 2.5 mV/47 kilohms

(Max. input capability; 150 mV at 1 kHz, less than
0.1 % total harmonic distortion)

TAPE/AUX, TUNER, TAPE PLAY, 150 mV/47 kilohms

Output level and impedance (1,000 Hz)

TAPE REC 150 mV/47 kilohms

Hum and noise (short-circuit, A-network)

PHONO 73 dB

TAPE/AUX, TUNER, TAPE PLAY

. 90 dB

Power requirements

Power voltage 110 ~ 120, 220 ~ 240 V
(50/60 Hz)

For U.S.A. & Canada

. 120 V (60 Hz)

Power consumption

Rated consumption

. 105 watts

Dimensions 430 mm (16-15/16") W

147 mm (5-13/16") H

251 mm (9-15/16") D

Weight 5.1 kg (11.2 lbs) net

6.0 kg (13.2 lbs) packed

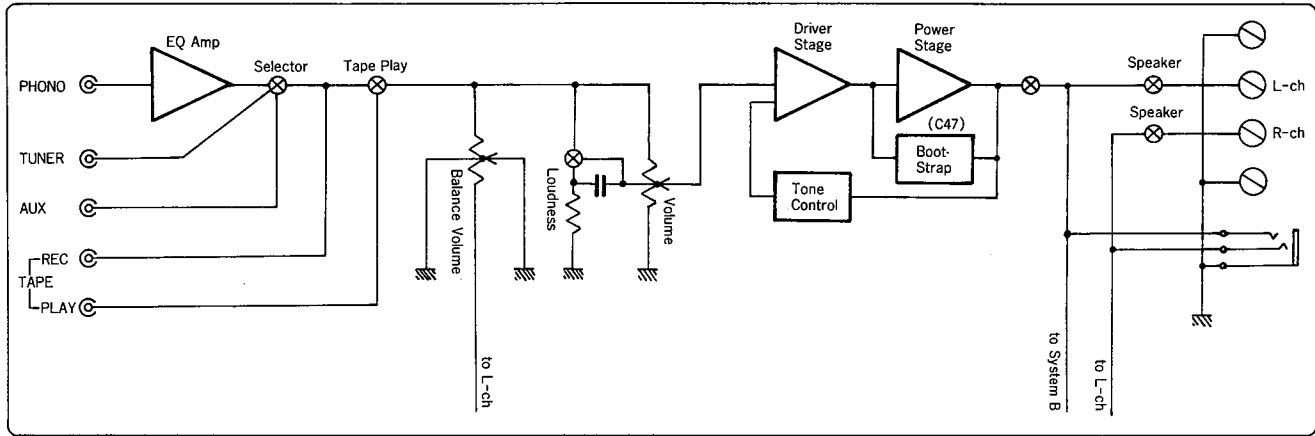
* Design and specifications subject to changes without
notice for improvements.

* In order to simplify the explanation illustrations may
sometimes differ from the originals.



SANSUI ELECTRIC CO., LTD.

1. BLOCK DIAGRAM



2. ADJUSTMENTS (See Top View on Page 3)

- Notes: 1. Room Temperature 18°C ~ 28°C (65°F ~ 83°F) 2. For this adjustment, run the unit for more than 5 minutes after the power is switched ON with its level volume minimum.

2-1. Bias Current Adjustment

Note: Before adjusting or confirming the bias current, avoid such a measurement that the power transistors are heated.

STEP	SUBJECT	MEASURE OUTPUT	ADJUST	ADJUST FOR	REMARK
1.	Bias Current (L-CH) Adj.	Voltage between emitters of TR17 and TR19	VR01 on F-3124	DC 4 mV	Before turning ON power switch, turn VR01, VR02 fully counterclockwise.
2.	Bias Current (R-CH) Adj.	Voltage between emitters of TR18 and TR20	VR02 on F-3124		In this adjustment, the bias current is converted into the voltage.

3. PARTS LOCATION & PARTS LIST

• Since some of capacitors and resistors are omitted from parts lists in this Service Manual, refer to the common parts list for capacitors & resistors which was appended previously to each Sansui Manual.

3-1. F-3124 Main Circuit Board (Stock No. 75725801)

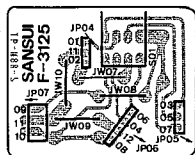
Parts List

Parts No.	Stock No.	Description	Position	Parts No.	Stock No.	Description	Position	Parts No.	Stock No.	Description	Position				
• Transistor TR01, 02 03010900, 1 2SA992 F, E 4A TR03, 04 03067400, 1 2SC1845 F, E 4A TR05, 06 03063700, 1 2SA798 F, G 2, 3C TR09, 10 03064001, 2 2SC1904 B, V 1, 3B TR11, 12 03067400, 1 2SC1845 F, E 2B TR13, 14 03086101, 2 2SD357 D, E 2B TR15, 16 03033301, 2 2SB527 D, E 2, 3B TR17, 18 03070300, 1 2SC1827 O, Y 2, 3B TR19, 20 03013400, 1 2SC769 O, Y 2, 3B TR601 03085201, 2 2SD438 E, F 1B TR602 03033601, 2 2SB560MP E, F 1C				• Zener Diode ZD601, 602 03180000 RD22E B 1B, C				R 103, 104 00179000 10Ω 1W N.I.R. 2A R 603, 604 00181800 2.7kΩ 1W 3A VR01, 02 10370400 Volume 1kΩ B Bias adj. 1B VR601 10054600 Balance Volume 250kΩ B 4C VR602 10156200 Treble Volume 100kΩ 3C (C) x 2 4B VR603 10156200 Bass Volume 100kΩ 2C (C) x 2							
• Diode D 601 03117000 RB-152 2A				C 05, 06 08602500 150pF 50V C.T. 4A C 07, 08 08602300 100pF 50V C.T. 4A C 15, 16 08601700 33pF 50V C.T. 4A C 21, 22 08602700 220pF 50V C.T. 4B C 23, 24 08603000 390pF 50V C.T. 4C C 29, 30 08602300 100pF 50V C.T. 2, 3C C 33, 34 08602100 68pF 50V C.T. 1, 3B C 35, 36 08600600 5pF 50V C.T. 1, 3B C 41, 42 08601700 33pF 50V C.T. 2, 3B C 45, 46 08601700 33pF 50V C.T. 1, 3B C 603 08680400 10000pF 500V C.C. 2A				R 77, 78 00091700 0.33Ω x 2 5W Ce.R. 2, 3B				S 601 11322400 Push Switch, Tape Monitor 4C S 602 11322400 Push Switch, Loudness 3C S 603 11322300 Push Switch, Speaker 1C 22007100 Input Terminal (Tape) 22067200 Input Terminal (Phono) 22902400 Output Terminal (A system) 22902500 Output Terminal (B system)			

• The circuit boards, F-3125, F-3126, F-3128, F-3127, F-3129 & F-3109 are not supplied as the assembled, the individual parts on the circuit boards, however are provided for orders.

3-2. F-3125 Selector Circuit Board

Conductor Side

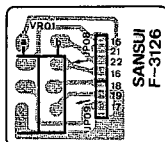


Parts List

Parts No.	Stock No.	Description
S 01	11907800	Rotary Switch, Selector

3-3. F-3126 Volume Circuit Board

Conductor Side

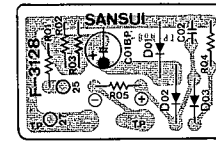


Parts List

Parts No.	Stock No.	Description
VR01	10155700	Volume 150kΩ (B) x 2

3-4. F-3128 Power Meter Drive Circuit Board

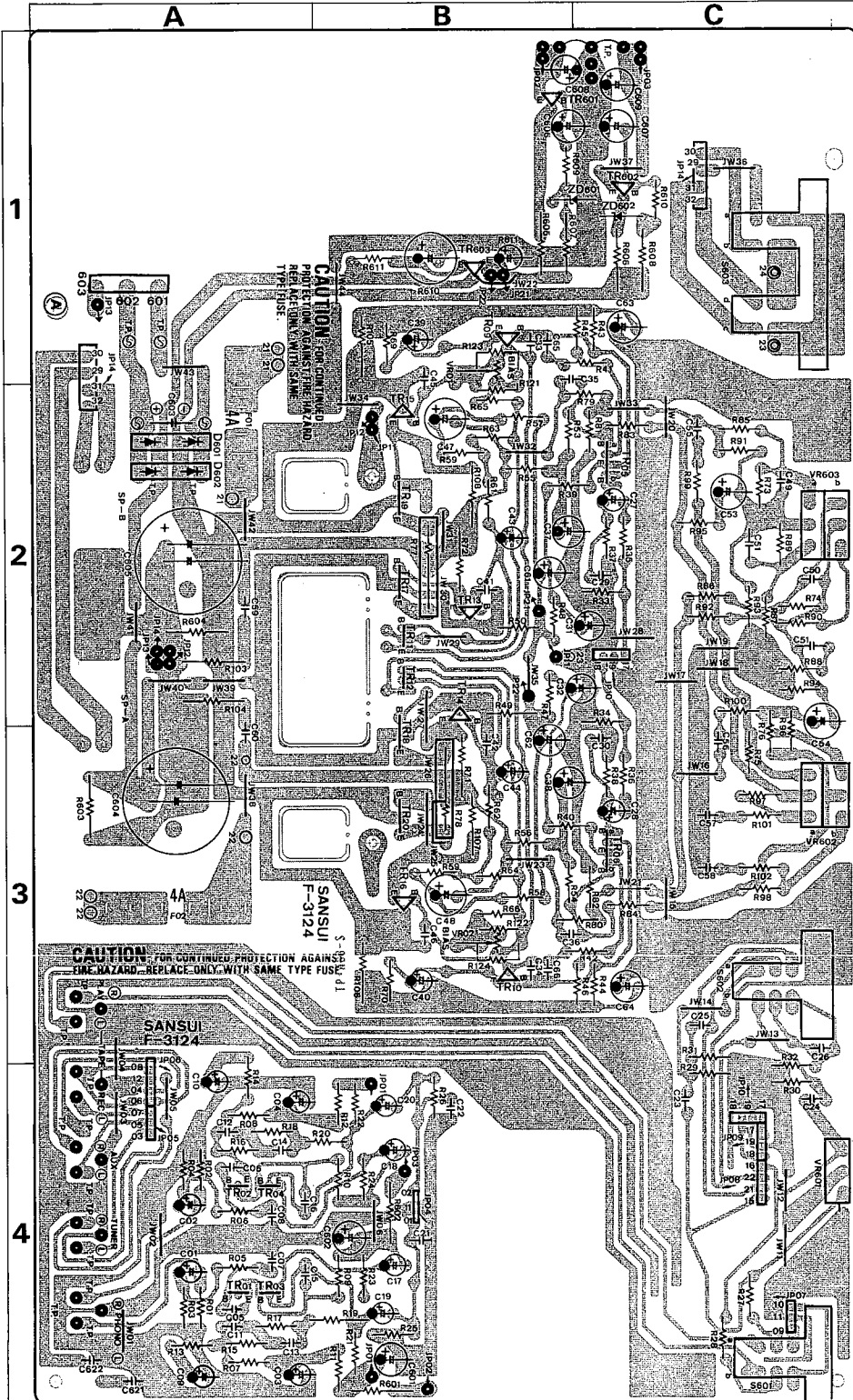
Conductor Side



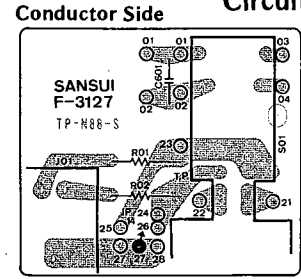
Parts List

Parts No.	Stock No.	Description
• Diode D 01, 02 03117800 1N60 D 03 03117600 1S2473D		

Conductor Side <F-3124>



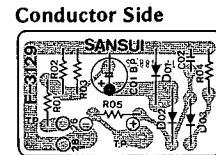
3-5. F-3127 Power Switch
Circuit Board



Parts List

Parts No.	Stock No.	Description
S 01	11317900 24306000	Push Switch, power Phone Jack

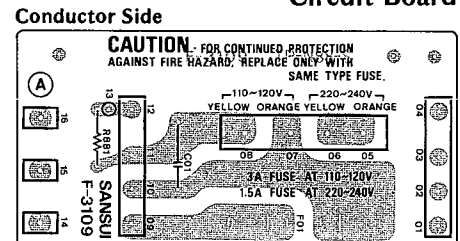
3-6. F-3129 Power Meter Drive
Circuit Board



Parts List

Parts No.	Stock No.	Description
• Diode		
D 01, 02	03117800	1N60
D 03	03117600	1S2473D

3-7. F-3109 Voltage Selector
Circuit Board



Parts List

Parts No.	Stock No.	Description
F 01	04322300 04322600	AC Fuse 1.5A /250V AC Fuse 3A /125V

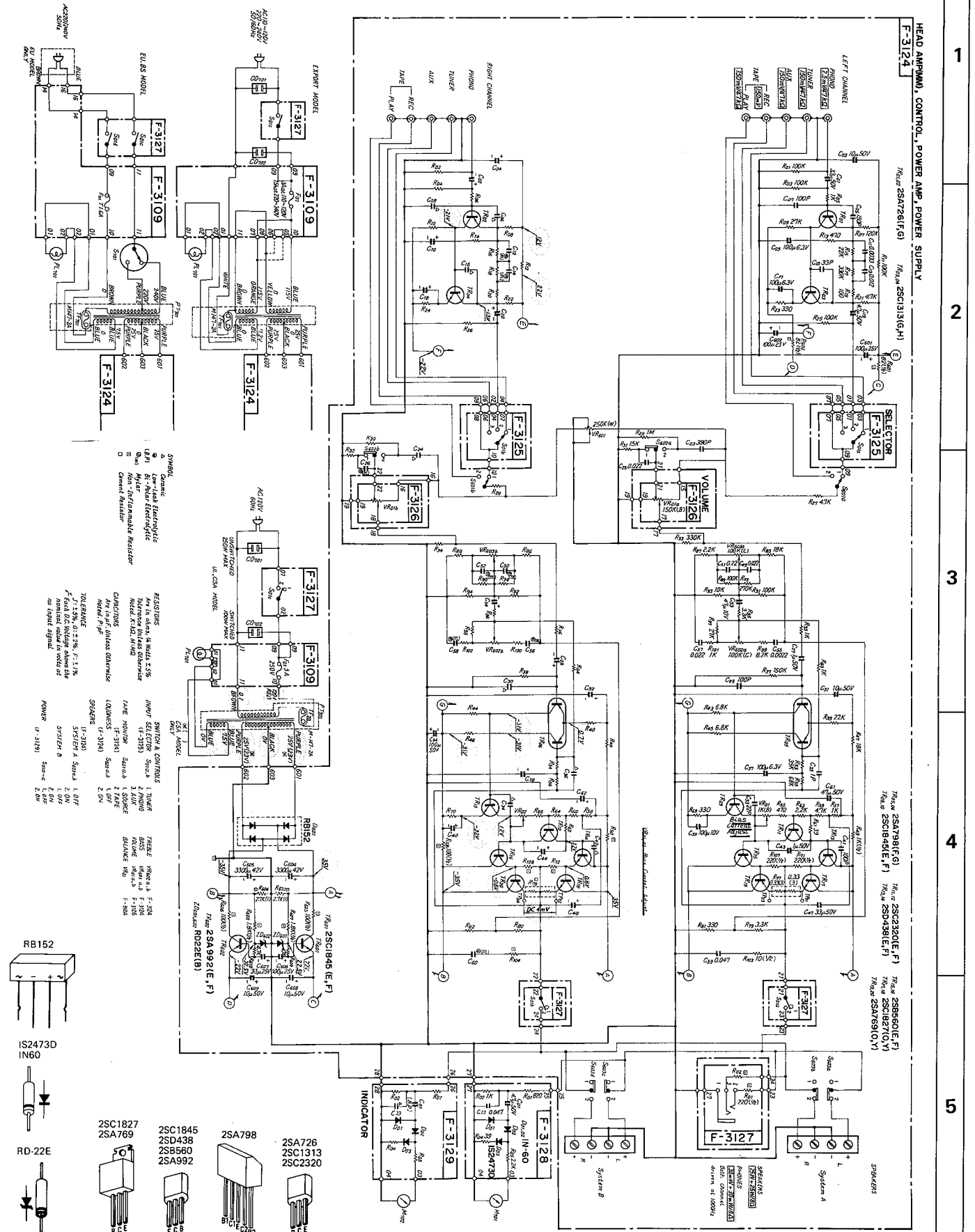
Note: As the stock number in the parts list on this service manual is indicated in 8 digit to differ from ordinary 7 digit, please be carefull when ordering parts.

• Abbreviations

C.R.	Carbon Resistor	E.L.	Low Leak Electrolytic Capacitor
S.R.	Solid Resistor	E.B.	Bi-Polar Electrolytic Capacitor
Ce.R.	Cement Resistor	E.BL.	Low Leak Bi-Polar Electrolytic Capacitor
M.R.	Metal Film Resistor	Ta.C.	Tantalum Capacitor
F.R.	Fusing Resistor	F.C.	Film Capacitor
N.I.R.	Non-Inflammable Resistor	M.P.	Metallized Paper Capacitor
C.C.	Ceramic Capacitor	P.C.	Polystyrene Capacitor
C.T.	Ceramic Capacitor, Temperature Compensation	G.C.	Gimmick Capacitor
E.C.	Electrolytic Capacitor		

• All dimensions and specifications subject to change without notice for improvement.
 • La présentation et les spécifications sont susceptibles d'être modifiées sans préavis par suites d'améliorations éventuelles.
 • Änderungen, die dem technischen Fortschritt dienen, bleiben vorbehalten.

4. SCHEMATIC DIAGRAM



SYMBOLS

- Resistor
- Capacitor
- Variable Resistor
- Variable Capacitor
- Coil
- Transformer
- Diode
- Tube Socket
- Switch
- Indicator Lamp
- Speaker

RESISTORS

- Wattage: 1/2W, 1W, 2W, 5W, 10W, 20W, 50W, 100W
- Values: 100Ω, 1K, 10K, 100K, 1M, 10M, 100M, 1000M

CAPACITORS

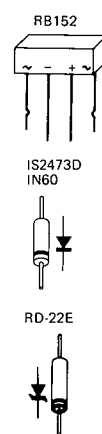
- Values: 100pF, 1nF, 10nF, 100nF, 1μF, 10μF, 100μF, 1000μF

SWITCHES & CONTROLS

- SWITCH A: 1 ON/OFF, 2 ON/OFF, 3 ON/OFF, 4 ON/OFF, 5 ON/OFF, 6 ON/OFF, 7 ON/OFF, 8 ON/OFF, 9 ON/OFF, 10 ON/OFF
- SWITCH B: 1 ON/OFF, 2 ON/OFF, 3 ON/OFF, 4 ON/OFF, 5 ON/OFF, 6 ON/OFF, 7 ON/OFF, 8 ON/OFF, 9 ON/OFF, 10 ON/OFF

TUBES

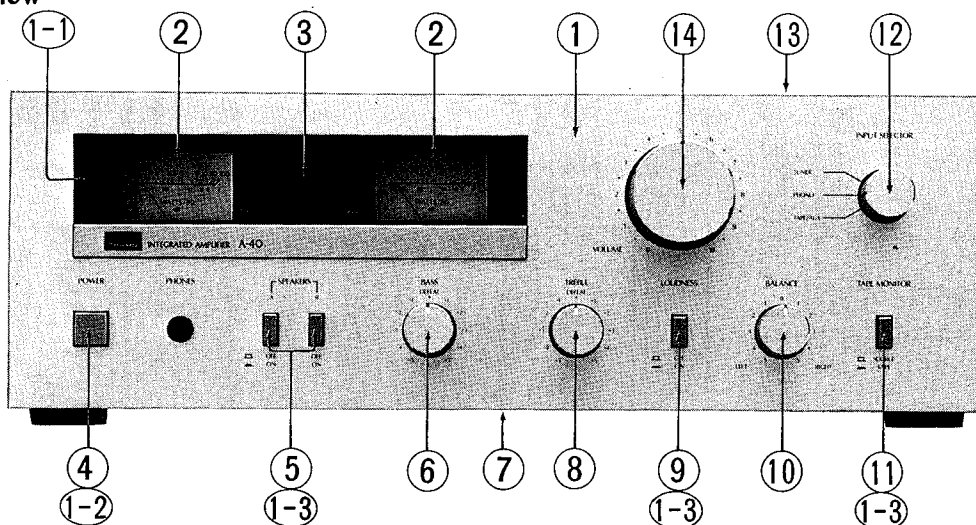
- 6X4: 1.0A, 250V, 1.0A
- 6AR5: 250V, 0.1A, 250V, 0.1A
- 6AV6: 250V, 0.1A, 250V, 0.1A
- 6BE6: 250V, 0.1A, 250V, 0.1A
- 6BD6: 250V, 0.1A, 250V, 0.1A
- 6BE7: 250V, 0.1A, 250V, 0.1A
- 6BE8: 250V, 0.1A, 250V, 0.1A
- 6BE9: 250V, 0.1A, 250V, 0.1A
- 6BE9A: 250V, 0.1A, 250V, 0.1A
- 6BE9B: 250V, 0.1A, 250V, 0.1A
- 6BE9C: 250V, 0.1A, 250V, 0.1A
- 6BE9D: 250V, 0.1A, 250V, 0.1A
- 6BE9E: 250V, 0.1A, 250V, 0.1A
- 6BE9F: 250V, 0.1A, 250V, 0.1A
- 6BE9G: 250V, 0.1A, 250V, 0.1A
- 6BE9H: 250V, 0.1A, 250V, 0.1A
- 6BE9I: 250V, 0.1A, 250V, 0.1A
- 6BE9J: 250V, 0.1A, 250V, 0.1A
- 6BE9K: 250V, 0.1A, 250V, 0.1A
- 6BE9L: 250V, 0.1A, 250V, 0.1A
- 6BE9M: 250V, 0.1A, 250V, 0.1A
- 6BE9N: 250V, 0.1A, 250V, 0.1A
- 6BE9O: 250V, 0.1A, 250V, 0.1A
- 6BE9P: 250V, 0.1A, 250V, 0.1A
- 6BE9Q: 250V, 0.1A, 250V, 0.1A
- 6BE9R: 250V, 0.1A, 250V, 0.1A
- 6BE9S: 250V, 0.1A, 250V, 0.1A
- 6BE9T: 250V, 0.1A, 250V, 0.1A
- 6BE9U: 250V, 0.1A, 250V, 0.1A
- 6BE9V: 250V, 0.1A, 250V, 0.1A
- 6BE9W: 250V, 0.1A, 250V, 0.1A
- 6BE9X: 250V, 0.1A, 250V, 0.1A
- 6BE9Y: 250V, 0.1A, 250V, 0.1A
- 6BE9Z: 250V, 0.1A, 250V, 0.1A



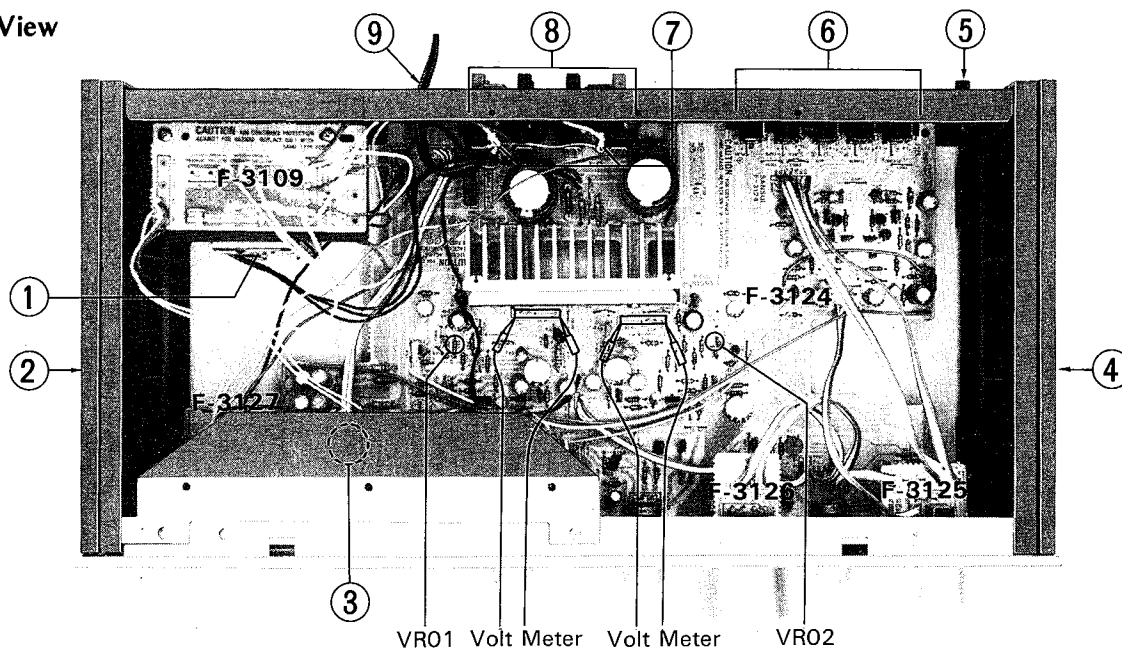
1 HEAD AMP (M), CONTROL, POWER AMP, POWER SUPPLY
 2 LEFT CHANNEL
 3 RIGHT CHANNEL
 4 SELECTOR, VOLUME
 5 INDICATOR

5. OTHER PARTS

5-1. Front View



5-2. Top View



Parts List <Front View>

No.	Parts No.	Stock No.	Description
1		70086200	Front Panel Ass'y (Silver)
		70087100	Front Panel Ass'y (Black)
1-1		54465500	Meter Glass
		59560800	Knob Guide, power switch (Silver)
1-2		59560900	Knob Guide, power switch (Black)
		53967800	Knob Guide (Silver)
1-3		53967700	Knob Guide (Black)
2		43014100	Power Meter
3		73060500	Meter Flame Ass'y
		53195000	Knob, power switch (Silver)
4		53196500	Knob, power switch (Black)
		11317900	Power Switch
		53194900	Push Knob, speakers (Silver)
5	S 603	53194800	Push Knob, speakers (Black)
		11322300	Speaker Switch
		53195800	Knob, bass control (Silver)
6		53196300	Knob, bass control (Black)
		10156200	Volume 100kΩ x 2, bass control
7		50664200	Bottom Board
		53195800	Knob, treble control (Silver)
8		53196300	Knob, treble control (Black)
		10156200	Volume 100kΩ x 2, treble control

Parts List <Top View>

No.	Parts No.	Stock No.	Description
9		53194900	Push Knob, loudness (Silver)
		53194800	Push Knob, loudness (Black)
		11322400	Push Switch, loudness
		53195800	Knob, balance, volume (Silver)
10		53196300	Knob, balance volume (Black)
		10054600	Volume 250kΩ (B), balance
		53195800	Push Knob, tape monitor (Silver)
11		53196300	Push Knob, tape monitor (Black)
		11907800	Tape Monitor Switch
		53195800	Knob, input selector (Silver)
12		53196300	Knob, input selector (Black)
		11907800	Input Selector Switch
13		57272400	Bonnet
		53195500	Knob, volume (Silver)
14		53196400	Knob, volume (Black)
		10155700	Volume 150kΩ (B) x 2

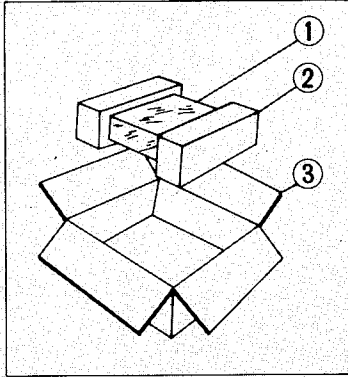
No.	Parts No.	Stock No.	Description
1	PT 701	40032100	Power Transformer
2		54578000	Side Panel (L)
3	PL 701	04007100	Lamp, 8V 300 mA
4		54578100	Side Panel (R)
5		22301500	Ground Terminal
		22007100	Input Terminal (Tape)
6		22007200	Input Terminal (Phono)
7		24501100	AC Outlet
		22902400	Output Terminal (A system)
8		22902500	Output Terminal (B system)
		38004700	AC Cord
9		39106000	Strain Relief

Note:

Since there are black & silver models in A-40, please pay attention when ordering parts.

6. PACKING LIST

No.	Stock No.	Description
1	91263800	Vinyl Cover
2	90284000	Styrofoam Packing
3	90562900	Carton Case (Black)
	90561600	Carton Case (Silver)



7. ACCESSORY PARTS LIST

Stock No.	Description
92055300	Operating Instructions

SANSUI ELECTRONICS CORPORATION: 1250 Valley Brook Ave. Lyndhurst, N.J. 07071 U.S.A.
 333 West Alondra Blvd. Gardena, California 90247 U.S.A.
 3036 Koapaka St. Honolulu, Hawaii 96819 U.S.A.

Sansui

SANSUI AUDIO EUROPE N.V.:
 SNASUI AUDIO EUROPE S.A.:

North Trade Bldg (9th floor) Noorderlaan 133-Bus 1, 2030 Antwerp, Belgium
 Arabella center, 6 Frankfurt AM Main, Lyoner Strasse 44-48, West Germany

SANSUI ELECTRIC COMPANY LTD.: 14-1, Izumi 2-chome, Suginamiku, Tokyo 168 Japan PHONE: (03) 323-1111/TELEX: 232-2076