

INTEGRATED STEREO AMPLIFIER

SANSUI A-60 (Silver & Black Model) **A-80** (Silver & Black Model)

A-60/80

SPECIFICATIONS

●A-60

Power output
Min. RMS, both channels driven, from 20 to 20,000 Hz,
with no more than 0.05 % total harmonic distortion
45 watts per channel into 8 ohms

Load impedance 8 ohms

Total harmonic distortion
less than 0.05 % at or below rated
min. RMS power output

Frequency response (at 1 watt)
5 to 70,000 Hz +0.5 dB, -2 dB

RIAA curve deviation (PHONO, 30 Hz to 15 kHz)
+0.8 dB, -0.8 dB

Input sensitivity and impedance (1 kHz, for rated power output)
PHONO 2.5 mV/47 kilohms
(Max. input capability; 160 mV at 1 kHz, less than
0.1 % total harmonic distortion)

AUX, TUNER, TAPE PLAY
150 mV/47 kilohms

Output level and impedance (1,000 Hz)
TAPE REC 150 mV/47 kilohms

Hum and noise (short circuit, A-network)
PHONO 75 dB
AUX, TUNER, TAPE PLAY
. 95 dB

Power requirements
Power voltage 110 ~ 120, 220 ~ 240 V
(50/60 Hz)

For U.S.A. & Canada
. 120 V (60 Hz)

Power consumption 180 watts Rated
250 watts Maximum

UL, CSA Model 165 watts 180 VA Rated

Dimensions 430 mm (16-15/16") W
147 mm (5-13/16") H
251 mm (9-15/16") D

Weight 6.3 kg (13.9 lbs.) net
7.2 kg (15.9 lbs.) packed

●A-80

Power output
Min. RMS, both channels driven, from 20 to 20,000 Hz,
with no more than 0.05 % total harmonic distortion
65 watts per channel into 8 ohms

Load impedance 8 ohms

Total harmonic distortion
less than 0.05 % at or below rated
min. RMS power output

Frequency response (at 1 watt)
5 to 70,000 Hz +0.5 dB, -2 dB

RIAA curve deviation (PHONO, 30 Hz to 15 kHz)
+0.6 dB, -0.6 dB

Input sensitivity and impedance (1 kHz, for rated power output)
PHONO-MM 2.5 mV/47 kilohms
(Max. input capability; 180 mV at 1 kHz, less than
0.1 % total harmonic distortion)

PHONO-MC 0.1 mV/10 ohms

AUX, TUNER, TAPE PLAY
150 mV/47 kilohms

Output level and impedance (1,000 Hz)
TAPE REC 150 mV/47 kilohms

Hum and noise (short-circuit, A-network)
PHONO-MM 80 dB
PHONO-MC 60 dB
AUX, TUNER, TAPE PLAY
. 95 dB

Power requirements
Power voltage 110 ~ 120, 220 ~ 240 V
(50/60 Hz)

For U.S.A. & Canada
. 120 V (60 Hz)

Power consumption 255 watts Rated
350 watts Maximum

UL, CSA Model 230 watts 275 VA Rated

Dimensions 430 mm (16-15/16") W
147 mm (5-13/16") H
251 mm (9-15/16") D

Weight 7.1 kg (15.7 lbs.) net
8.0 kg (17.6 lbs.) packed



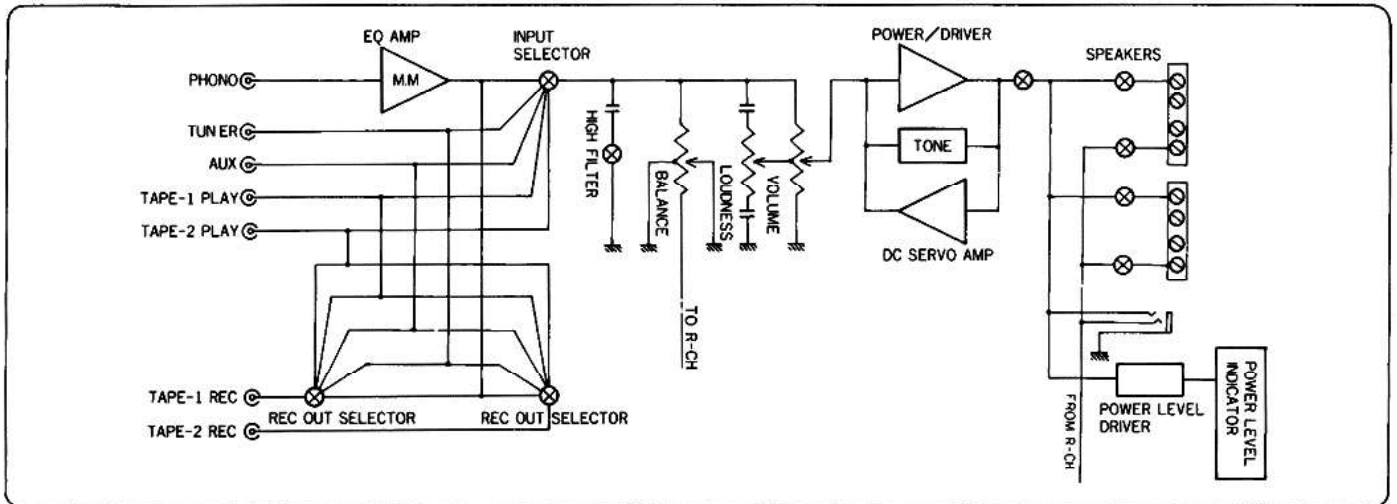
SANSUI ELECTRIC CO., LTD.

*Design and specifications subject to changes without notice for improvements.

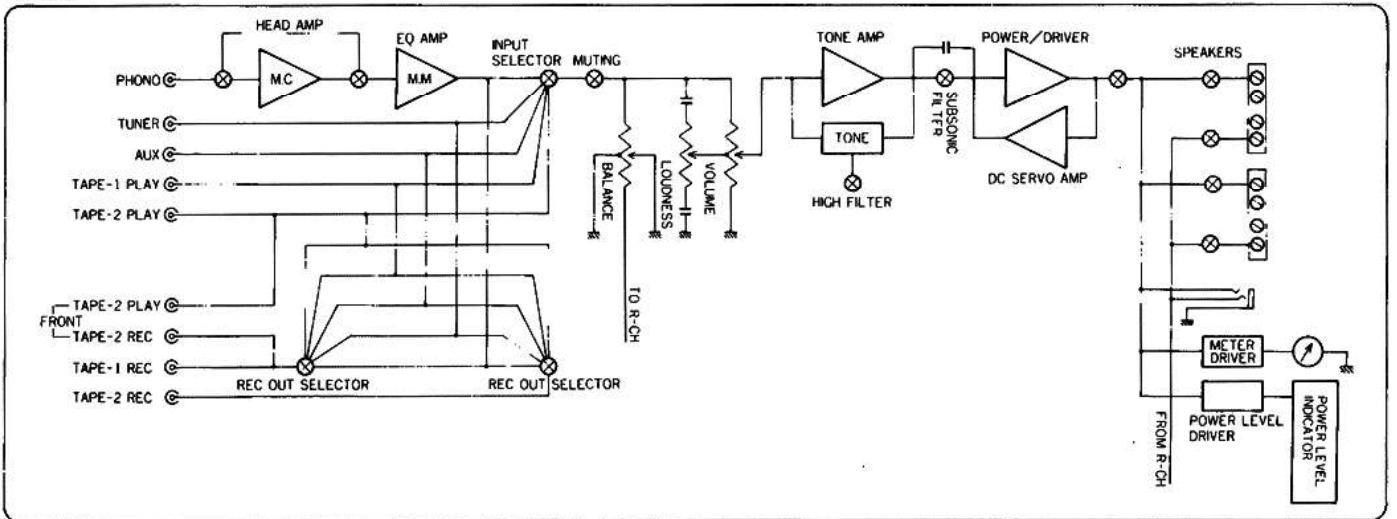
*In order to simplify the explanation illustrations may sometimes differ from the originals.

1. BLOCK DIAGRAM

1-1. A-60



1-2. A-80



2. ADJUSTMENTS

- Notes: 1. Room Temperature 18°C ~ 28°C (65°F ~ 83°F)
 2. For this adjustment, run the unit for more than 5 minutes after the power is switched ON with its level volumes minimum.

3. Before adjusting or confirming the bias current, avoid such a measurement that the power transistors are heated.

2-1. A-60 Bias Current Adjustment (See Top View on page 6)

STEP	SUBJECT	MEASURE OUTPUT	ADJUST	ADJUST FOR	REMARK
1.	Bias Current (L-CH) Adj.	Voltage across R71	VR01 on F-3159	DC 1.5 mV	Before turning ON power switch, turn VR01, VR02 fully counterclockwise.
2.	Bias Current (R-CH) Adj.	Voltage across R72	VR02 on F-3159	DC 1.5 mV	In this adjustment, the bias current is converted into the voltage.

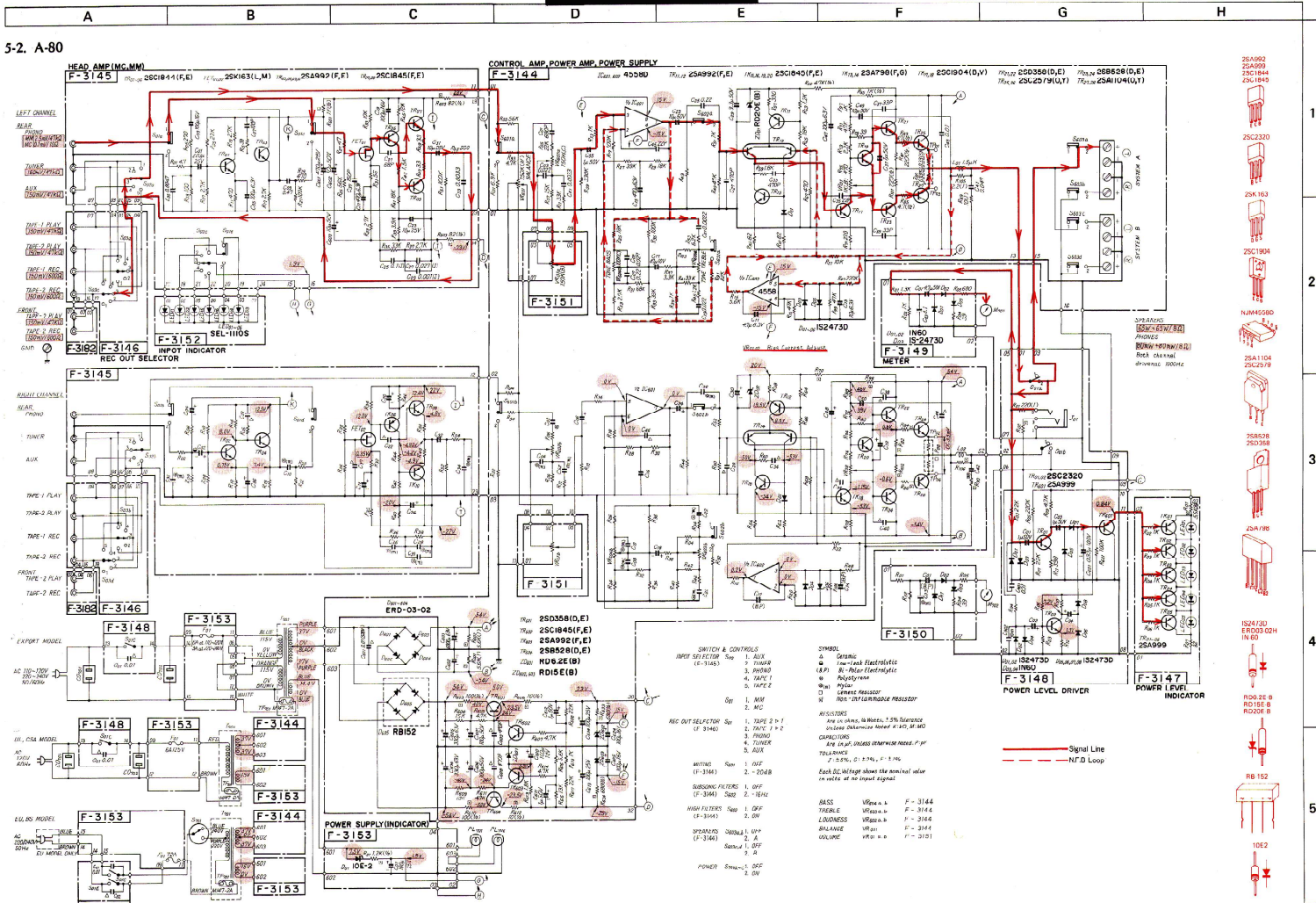
2-2. A-80 Bias Current Adjustment (See Top View on page 7)

STEP	SUBJECT	MEASURE OUTPUT	ADJUST	ADJUST FOR	REMARK
1.	Bias Current (L-CH) Adj.	Voltage across R87	VR01 on F-3144	DC 1.5 mV	Before turning ON power switch, turn VR01, VR02 fully counterclockwise.
2.	Bias Current (R-CH) Adj.	Voltage across R88	VR02 on F-3144	DC 1.5 mV	In this adjustment, the bias current is converted into the voltage.

A-60/80 A 60/80

Design and specifications subject to change without notice for improvement.
La présentation et les spécifications sont susceptibles d'être modifiées sans préavis par suites d'améliorations éventuelles.
Änderungen, die dem technischen Fortschritt dienen, bleiben vorbehalten.

5-2. A-80



- 2SA992
- 2SA999
- 2SC1044
- 2SC1045
- 2SC2320
- 2SK 163
- 2SC1904
- NJM4058D
- 2SA1104
- 2SC2329
- 2SB528
- 2SC2328
- 2SA108
- IS2473D
- ERD03-02H
- IN 60
- RD152-B
- RD152-B
- RD106-B
- RD106-B
- 10E2