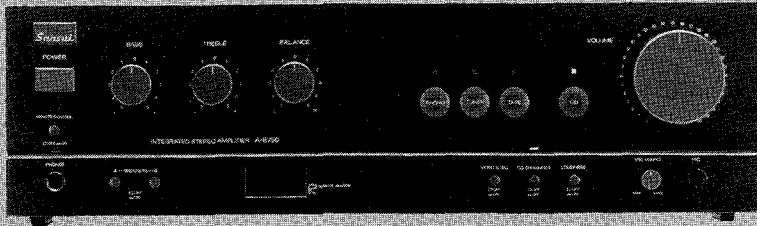


# SERVICE MANUAL

INTEGRATED STEREO AMPLIFIER

## SANSUI A-E750/E550



### CAUTION

1. Parts identified by the  $\Delta$  symbol on the schematic diagram and the parts list are critical for safety. Use only replacement parts that have critical characteristics recommended by the manufacturer.
2. Make leakage-current or resistance measurements to determine that exposed parts are acceptably insulated from the supply circuit before returning the appliance to the customer.

### •SPECIFICATIONS

#### A-E750

##### Power output

Min. RMS, both channels driven, from 20 to 20,000 Hz, with no more than 0.07% total harmonic distortion.

90 watts per channel into 8 ohms.

**Load impedance**..... 8 ohms

##### Total harmonic distortion

..... less than 0.07% at or below rated min. RMS power output

##### Frequency response (at 1 watt)

Overall (from CD, TUNER, TAPE PLAY)

..... 10 to 60,000 Hz, +0 dB  
-3.0 dB

##### Input sensitivity and impedance (at 1 kHz)

PHONO..... 3.2 mV/47 kohms

(Max. input capability, 120 mV at 1 kHz, less than 0.1% total harmonic distortion)

CD..... 270 mV/47 kohms

TUNER, TAPE PLAY... 200 mV/47 kohms

MIC..... 0.6 mV/10 kohms

##### Output level (1 kHz)

TAPE REC..... 160 mV into 47 kilohms

##### Signal to noise ratio (short-circuit, A-network)

PHONO..... 72 dB

CD..... 90 dB

TUNER, TAPE PLAY... 90 dB

##### Controls

BASS.....  $\pm 8$  dB at 50 Hz

TREBLE.....  $\pm 8$  dB at 10 kHz

LOUDNESS..... +8 dB at 50 Hz

(VOLUME: -30 dB position) +6 dB at 10 kHz

CD OPTIMIZER..... +2.5 dB at 100 Hz

##### Power requirements

Power voltage..... 120/220/240V (50/60 Hz)

For U.S.A & Canada

..... 120V (60 Hz)

Power consumption... 300 watts 390 VA Rated

450 watts Maximum

**Dimensions**..... 380 mm (15") W

111 mm (4-3/8") H

298 mm (11-3/4") D

**Weight**..... 7.1 kg (15.7 lbs) net

8.2 kg (18.1 lbs) packed

to be continued ▶

**Sansui**

SANSUI ELECTRIC CO., LTD.

**A-E550****Power output**

Min. RMS, both channels driven, from 20 to 20,000 Hz, with no more than 0.1% total harmonic distortion.

55 watts per channel into 8 ohms.

**Load impedance**..... 8 ohms

**Total harmonic distortion**

..... less than 0.08% at or below  
rated min. RMS power output

**Frequency response** (at 1 watt)

Overall (from CD, TUNER, TAPE PLAY)

..... 10 to 60,000 Hz, +0 dB  
-3.0 dB

**Input sensitivity and impedance** (at 1 kHz)

PHONO..... 3.2 mV/47 kohms

(Max. input capability; 120 mV at 1 kHz, less than  
0.08% total harmonic distortion)

CD..... 270 mV/47 kohms

TUNER, TAPE PLAY..... 200 mV/47 kohms

MIC..... 0.6 mV/10 kohms

**Output level** (1 kHz)

TAPE REC..... 160 mV into 47 kilohms

**Signal to noise ratio** (short-circuit, A-network)

PHONO..... 72 dB

CD..... 90 dB

TUNER, TAPE PLAY..... 90 dB

**Controls**

BASS.....  $\pm 8$  dB at 50 Hz

TREBLE.....  $\pm 8$  dB at 10 kHz

**LOUDNESS**..... +8 dB at 50 Hz

(VOLUME: -30 dB position) +6 dB at 10 kHz

**CD OPTIMIZER**..... +2.5 dB at 100 Hz

**Power requirements**

Power voltage..... 120/220/240V (50/60 Hz)

For U.S.A & Canada

..... 120V (60 Hz)

Power consumption..... 200 watts 250 VA Rated

280 watts Maximum

**Dimensions**..... 380 mm (15") W

111 mm (4-3/8") H

298 mm (11-3/4") D

**Weight**..... 5.5 kg (12.1 lbs) net

6.6 kg (14.6 lbs) packed

\* Design and specifications subject to changes without notice for improvements.

\* Due to local laws and regulations, this unit sold in some areas are not equipped with variable voltage selectors.

**CAUTION**

1. The symbols, UL, CSA, SA, BS, UK, EU, AS, SEV and XX (EXPORT) on the parts list and the schematic diagram mean followings respectively.

UL..... Manufactured for U.S.A market.  
(Underwriters Laboratories  
approved model.)

CSA..... Manufactured for Canadian market.

SA..... Manufactured for South African  
market.

BS, UK..... Manufactured for United Kingdom  
market.

EU..... Manufactured for European market.

AS..... Manufactured for Australian market.

SEV..... Manufactured for Swiss market.

XX (EXPORT).. Standard Version.

NON MARK.... Common Parts.

2. Some printed circuit boards are not supplied as the assembled.

To separate these in this service manual, the stock No's are not indicated at the ends of the board names. However, the individual parts on the circuit boards are provided by orders.

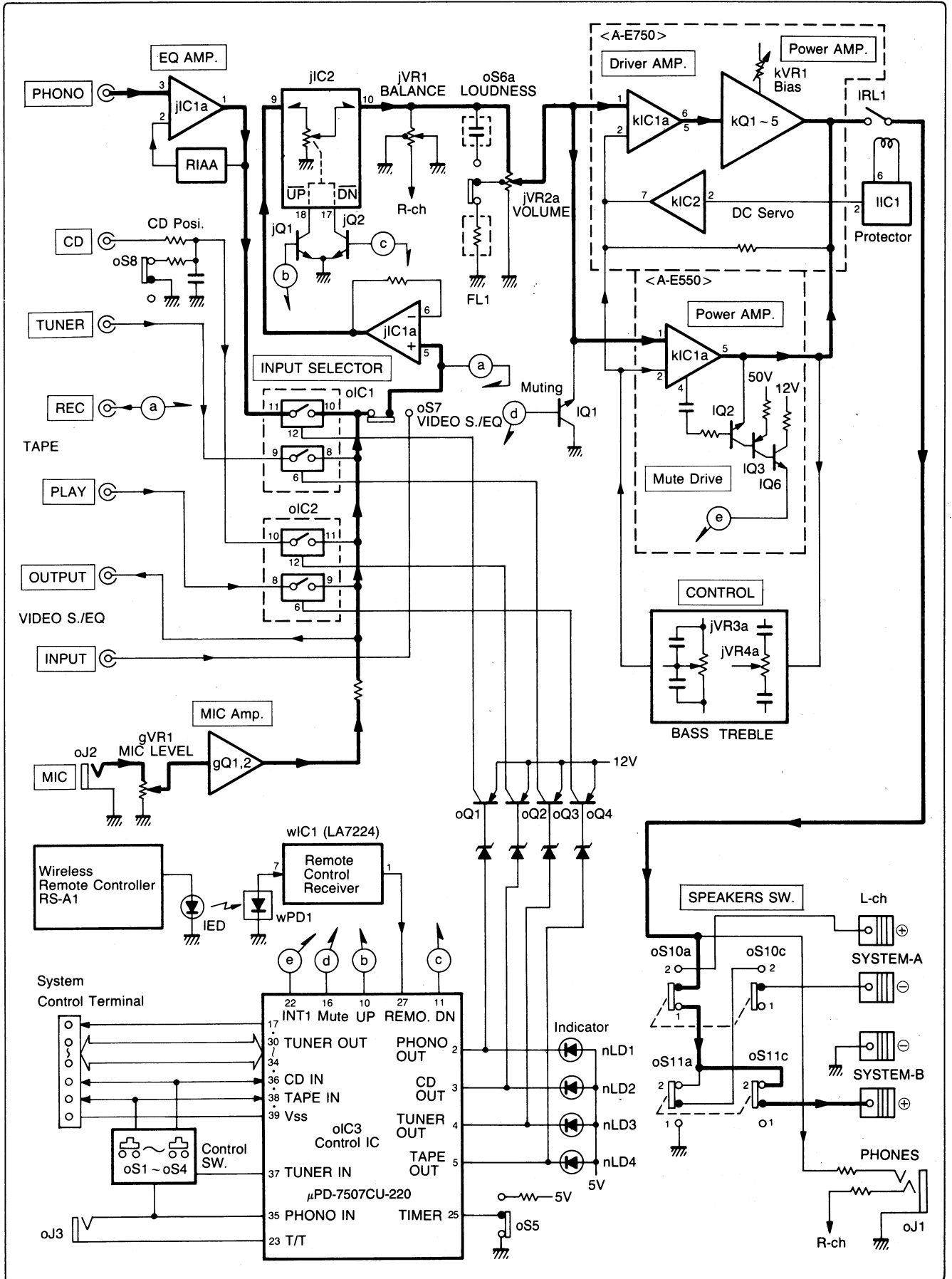
3. Since some of capacitors and resistors are omitted from parts lists in this service manual, refer to the Common Parts List for capacitors & resistors, which was issued on February 1983.

4. Abbreviations in this service manual are as follows.

**•Abbreviations List**

|         |  |
|---------|--|
| C.R.    | : Carbon Resistor                                |
| S.R.    | : Solid Resistor                                 |
| Ce.R.   | : Cement Resistor                                |
| M.R.    | : Metal Film Resistor                            |
| F.R.    | : Fusing Resistor                                |
| N.I.R.  | : Non-Inflammable Resistor                       |
| A.R.    | : Array Resistor                                 |
| C.C.    | : Ceramic Capacitor                              |
| C.T.    | : Ceramic Capacitor, Temperature<br>Compensation |
| E.C.    | : Electrolytic Capacitor                         |
| E.L.    | : Low Leak Electrolytic Capacitor                |
| E.B.    | : Bi-Polar Electrolytic Capacitor                |
| E.B.L.  | : Low Leak Bi-Polar Electrolytic<br>Capacitor    |
| Ta.C.   | : Tantalum Capacitor                             |
| F.C.    | : Film Capacitor                                 |
| M.P.    | : Metalized Paper Capacitor                      |
| P.C.    | : Polystyrene Capacitor                          |
| G.C.    | : Gimmic Capacitor                               |
| A.C.    | : Array Capacitor                                |
| V.R.    | : Variable Resistor                              |
| S.V.R.  | : Semi Variable Resistor                         |
| SW.     | : Switch   |
| Chip R. | : Chip Resistor                                  |
| Chip C. | : Chip Capacitor                                 |

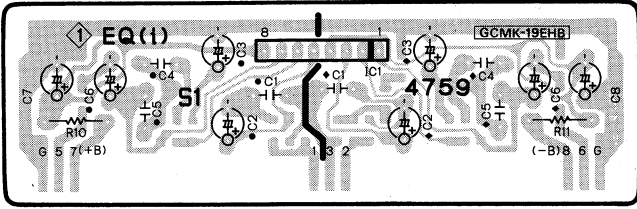
# 1. BLOCK DIAGRAM



## 2. PARTS LOCATION & PARTS LIST

### 2-1. F-4759 EQ. Amp. Board (Stock No. 00976701)

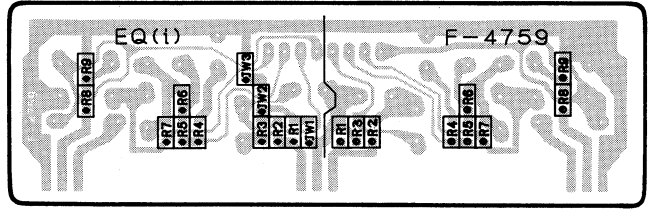
Component Side



Parts List

| Parts No. | Stock No. | Description            |
|-----------|-----------|------------------------|
| •IC       |           |                        |
| iIC1      | 46078900  | M5218L                 |
| iJW1      | 46741100  | Cross Conductor (Chip) |
| iJW2      | 46741100  | Cross Conductor (Chip) |
| iJW3      | 46741100  | Cross Conductor (Chip) |
| iR1       | 46752400  | 100kΩ 1/8W Chip R.     |
| iR2       | 46746800  | 470Ω 1/8W Chip R.      |
| iR3       | 46752400  | 100kΩ 1/8W Chip R.     |
| iR4       | 46746900  | 510Ω 1/8W Chip R.      |
| iR5       | 46746900  | 510Ω 1/8W Chip R.      |

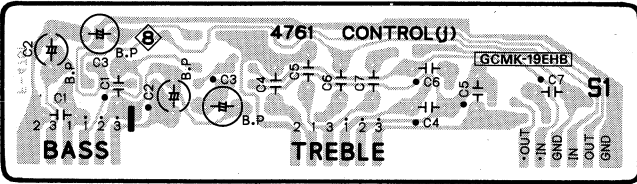
Pattern Side <Chip Parts>



| Parts No. | Stock No. | Description        |
|-----------|-----------|--------------------|
| iR6       | 46750800  | 22kΩ 1/8W Chip R.  |
| iR7       | 46753500  | 300kΩ 1/8W Chip R. |
| iR8       | 46746800  | 470Ω 1/8W Chip R.  |
| iR9       | 46752400  | 100kΩ 1/8W Chip R. |
| △iR10     | 46229000  | 100Ω 1/2W N.I.R.   |
| △iR11     | 46229000  | 100Ω 1/2W N.I.R.   |
| iR12      | 46752400  | 100kΩ 1/8W Chip R. |
| iC2       | 46283700  | 0.047μF 50V F.C.   |
| iC4       | 46282400  | 3300pF 50V F.C.    |
| iC5       | 46283000  | 0.012μF 50V F.C.   |

### 2-2. F-4761 Tone Control Board

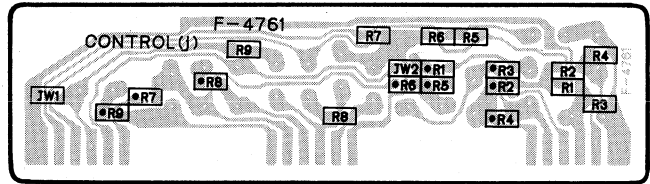
Component Side



Parts List

| Parts No. | Stock No. | Description            |
|-----------|-----------|------------------------|
| jJW1      | 46741100  | Cross Conductor (Chip) |
| jJW2      | 46741100  | Cross Conductor (Chip) |
| jR1       | 46750200  | 12kΩ 1/8W Chip R.      |
| jR2       | 46748200  | 1.8kΩ 1/8W Chip R.     |
| jR3       | 46753400  | 270kΩ 1/8W Chip R.     |
| jR4       | 46751000  | 27kΩ 1/8W Chip R.      |
| jR5       | 46751700  | 51kΩ 1/8W Chip R.      |
| jR6       | 46748400  | 2.2kΩ 1/8W Chip R.     |
| jR7       | 46749400  | 5.6kΩ 1/8W Chip R.     |

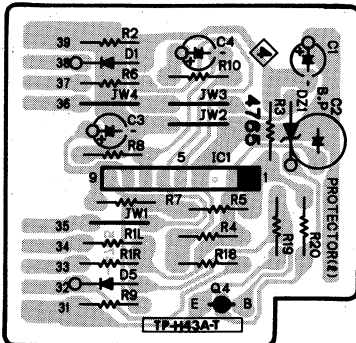
Pattern Side <Chip Parts>



| Parts No. | Stock No. | Description        |
|-----------|-----------|--------------------|
| jR8       | 46749600  | 6.8kΩ 1/8W Chip R. |
| jR9       | 46747200  | 680Ω 1/8W Chip R.  |
| jC1       | 46283600  | 0.039μF 50V F.C.   |
| jC2       | 46937000  | 0.22μF 50V E.B.    |
| jC3       | 48101500  | 100μF 6.3V E.B.    |
| jC4       | 46281800  | 1000pF 50V F.C.    |
| jC5       | 46282800  | 8200pF 50V F.C.    |
| jC6       | 46282700  | 6800pF 50V F.C.    |

### 2-3. F-4765 Protector Board (Stock No. 00980101 = A-E750/Stock No. 00931701 = A-E550)

Component Side

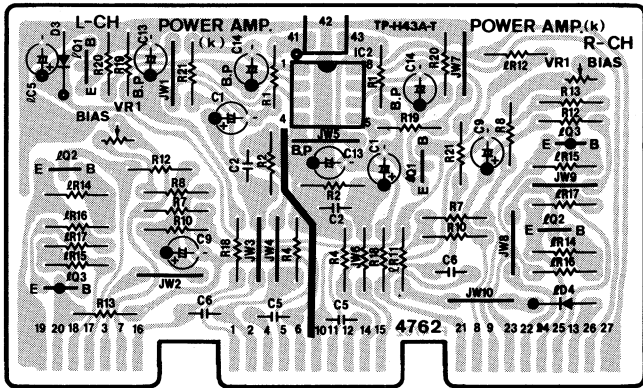


Parts List

| Parts No.    | Stock No.   | Description         |
|--------------|-------------|---------------------|
| •Transistor  |             |                     |
| IQ4          | 46367001    | 2SA1115 (A-E750)    |
|              | or 46367201 | 2SA1048 (A-E750)    |
| •IC          |             |                     |
| iIC1         | 46207600    | TA7317P             |
| •Diode       |             |                     |
| ID1          | 03117600    | 1S2473T77           |
|              | or 46086000 | 1S1588TP-3          |
| ID5          | 03117600    | 1S2473T77 (A-E750)  |
|              | or 46086000 | 1S1588TP-3 (A-E750) |
| •Zener Diode |             |                     |
| IDZ1         | 46115400    | 05Z20-Y (A-E750)    |
| IC2          | 48101500    | 100μF 6.3V E.B.     |

2-4. F-4762 Driver Amp. Board <A-E750> (Stock No. 00979901)

Component Side



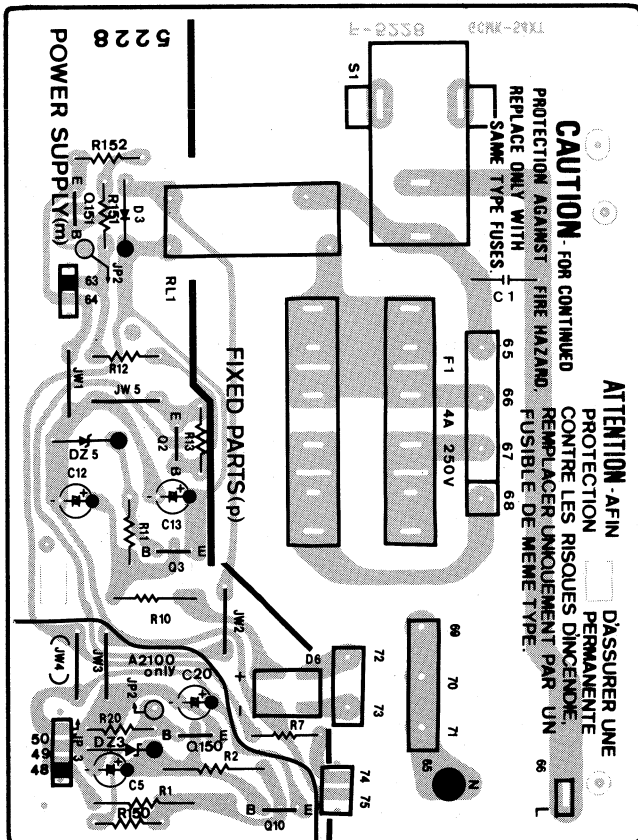
Parts List

| Parts No. | Stock No. | Description     |
|-----------|-----------|-----------------|
| •IC       |           |                 |
| KIC2      | 03607700  | NJM4558D        |
| △kR12     | 46228600  | 47Ω 1/2W N.I.R. |
| △kR13     | 46228600  | 47Ω 1/2W N.I.R. |

| Parts No.   | Stock No.   | Description               |
|-------------|-------------|---------------------------|
| kC13        | 48103500    | 2.2μF 50V E.B.            |
| kC14        | 48102400    | 4.7μF 25V E.B.            |
| kVR1        | 07261600    | 1kΩ (B) S.V.R., Bias adj. |
| •Transistor |             |                           |
| IQ1         | 46367301    | 2SC2458                   |
|             | or 46581701 | 2SC1845                   |
| IQ2         | 46367101    | 2SC2603                   |
|             | or 46367301 | 2SC2458                   |
| IQ3         | 46367001    | 2SA1115                   |
|             | or 46367201 | 2SA1048                   |
| •Diode      |             |                           |
| ID3         | 03117600    | 1S2473T77                 |
|             | or 46086000 | 1S1588TP-3                |
| ID4         | 03117600    | 1S2473T77                 |
|             | or 46086000 | 1S1588TP-3                |
| △IR14       | 46229000    | 100Ω 1/2W N.I.R.          |
| △IR15       | 46229000    | 100Ω 1/2W N.I.R.          |
| △IR16       | 46230000    | 680Ω 1/2W N.I.R.          |
| △IR17       | 46230000    | 680Ω 1/2W N.I.R.          |

2-5. F-5228 Power SW. Board <A-E550> (Stock No. 00932401 = XX/Stock No. 00932402 = UL) (Stock No. 00932405 = EU•BS

Component Side

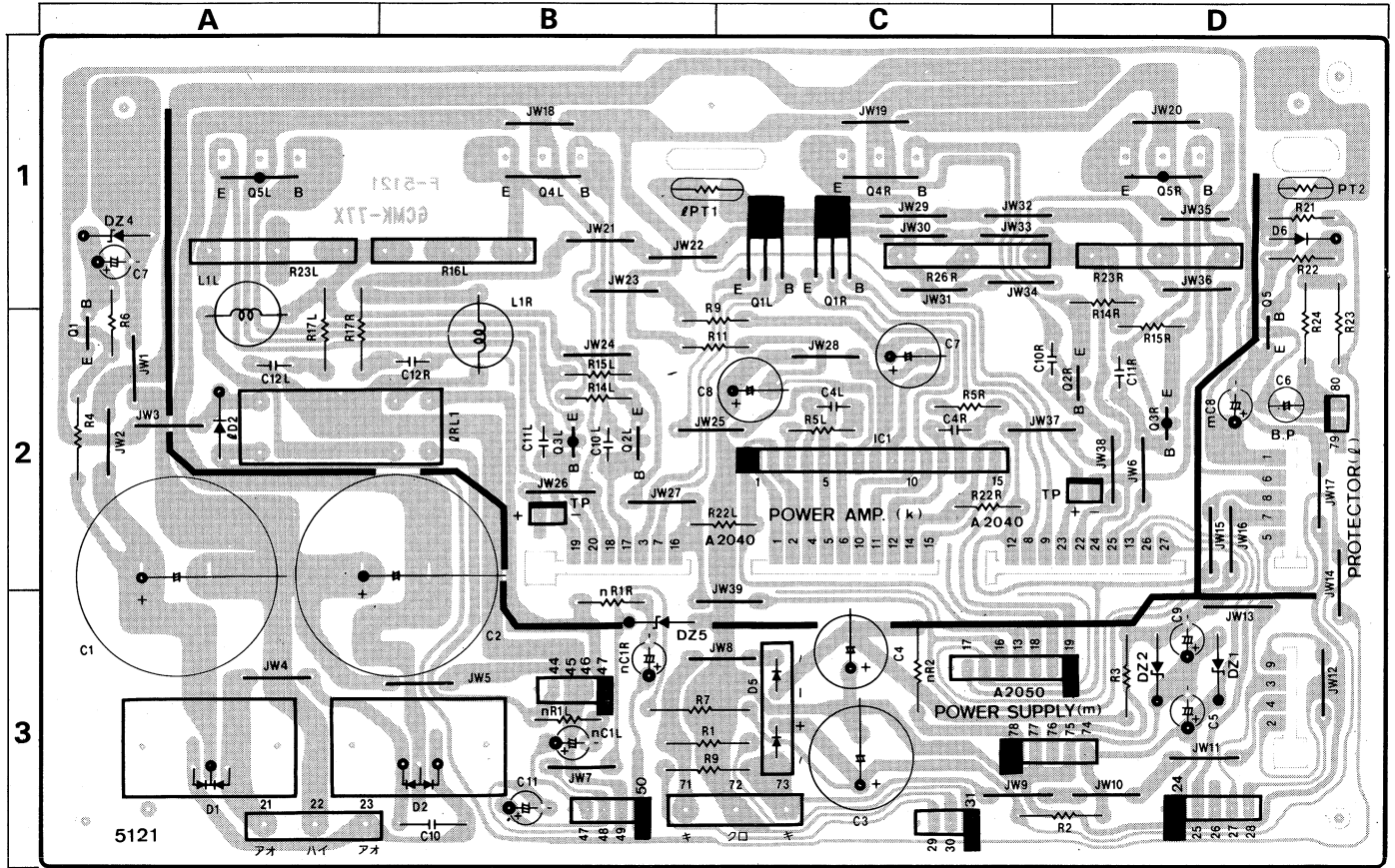


/Stock No. 00932409 = SEV)

| Parts No.    | Stock No.   | Description             |
|--------------|-------------|-------------------------|
| •Transistor  |             |                         |
| mQ2          | 07194801    | 2SC1815                 |
|              | or 07299701 | 2SC2603                 |
|              | or 46078801 | 2SC2458                 |
| mQ3          | 03083901    | 2SD313HP (XX)           |
|              | 46546701    | 2SD880 (XX)             |
|              | 48073601    | 2SD1061 (XX)            |
|              | 48369801    | 2SC1826 (XX)            |
|              | 48059501    | 2SC3244 (UL•EU•BS•SEV)  |
| mQ10         | 03083901    | 2SD313HP                |
|              | or 48369801 | 2SC1826                 |
| •Diode       |             |                         |
| mD3          | 48123600    | 11E2                    |
| △mD6         | 46273600    | DBB10B                  |
| •Zener Diode |             |                         |
| mDZ3         | 46116000    | 05Z24-Y                 |
|              | or 46116100 | 05Z24-Z                 |
| mDZ5         | 03150601    | EQB01-12 (XX)           |
|              | 03170300    | RD12F (XX)              |
|              | 46113800    | 05Z12X (UL•EU•BS•SEV)   |
|              | 46113900    | 05Z12Y (UL•EU•BS•SEV)   |
| △mR1         | 46625100    | 470Ω 2W N.I.R.          |
| △mR11        | 46625000    | 390Ω 2W N.I.R. (XX)     |
| mRL1         | 48340200    | Relay                   |
|              | or 48340300 | Relay                   |
| △pC1         | 46371700    | 4700pF 400V C.C.        |
| △            | or 48186600 | 4700pF 400V C.C.        |
| △pF1         | 48266800    | AC Fuse 2.0A 250V (XX)  |
| △            | 48267200    | AC Fuse 4.0A 250V (UL)  |
| △            | 07185000    | AC Fuse 2A 250V (EU•BS) |
| △            | 07184900    | AC Fuse 1.6A 250V (SEV) |
| △pF2         | 48266800    | AC Fuse 2.0A 250V (XX)  |
| △            | 07184600    | Fuse 0.8A 250V (SEV)    |
| △pS1         | 46364300    | Push SW., POWER         |

2-6. F-5121 Power Amp. & Power Supply Board <A-E750> (Stock No. 00980001)

Component Side



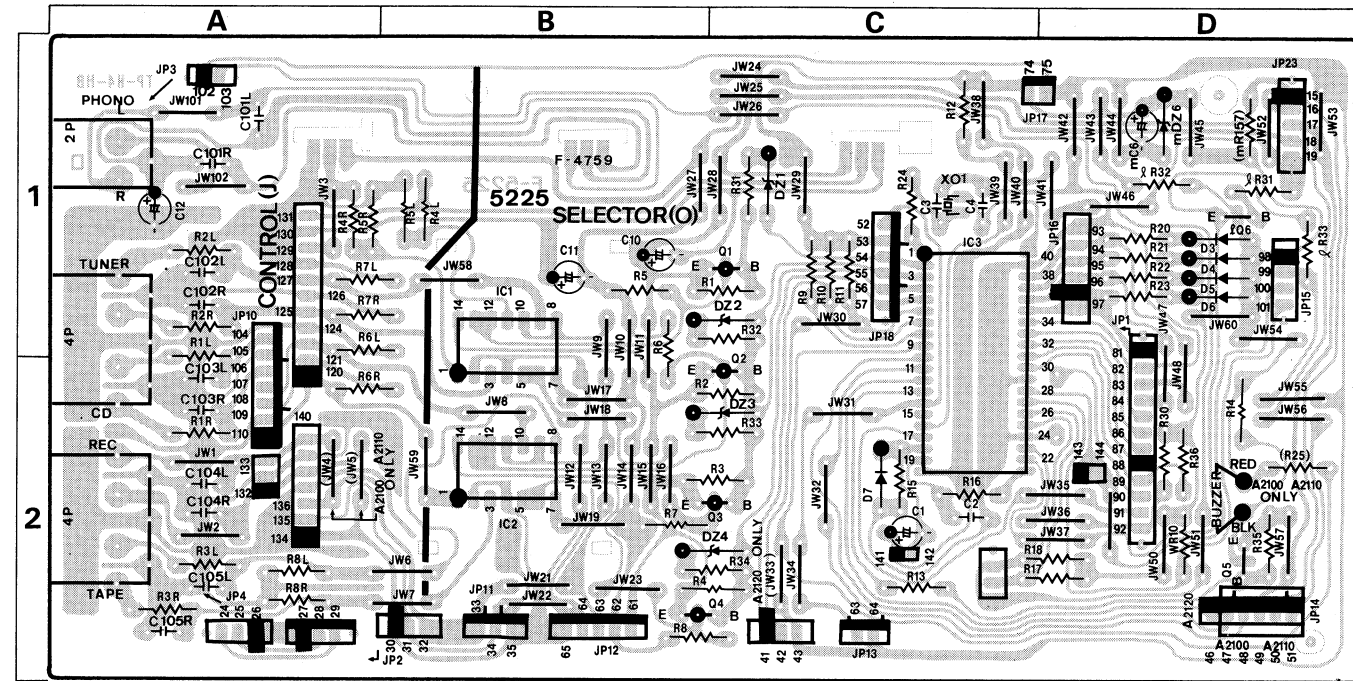
Parts List

| Parts No.   | Stock No.   | Description        | Position |
|-------------|-------------|--------------------|----------|
| •Transistor |             |                    |          |
| △kQ1        | 03067401    | 2SC1845            | 1C       |
| △kQ2        | 46728901    | 2SC3298            | 2B,2D    |
| △           | or 48158701 | 2SC2591            | 2B,2D    |
| △kQ3        | 46728801    | 2SA1306            | 2B,2D    |
| △           | or 48158601 | 2SA1111            | 2B,2D    |
| △kQ4        | 46085301    | 2SC2581            | 1B,1C    |
| △           | or 48490801 | 2SC3855            | 1B,1C    |
| △kQ5        | 46085401    | 2SA1106            | 1A,1D    |
| △           | or 48490701 | 2SA1491            | 1A,1D    |
| •IC         |             |                    |          |
| KIC1        | 46862200    | STK3102-2A         | 2C       |
| △kR9        | 46228400    | 33Ω 1/2W N.I.R.    | 2C       |
| △kR11       | 46228400    | 33Ω 1/2W N.I.R.    | 2C       |
| △kR14       | 46229200    | 150Ω 1/2W N.I.R.   | 2B,1D    |
| △kR15       | 46229200    | 150Ω 1/2W N.I.R.   | 2B,2D    |
| △kR16       | 46184100    | 0.22ΩX2 5W Ce.R.   | 1B,1C    |
| △kR17       | 46248100    | 10Ω 1W N.I.R.      | 2A       |
| △kR23       | 46184100    | 0.22ΩX2 5W Ce.R.   | 1A,1D    |
| KC7         | 46312800    | 47μF 100V E.C.     | 2C       |
| KC8         | 46312800    | 47μF 100V E.C.     | 2C       |
| KC12        | 46283700    | 0.047μF 50V F.C.   | 2A,2B    |
| KL1         | 46851901    | Filter Coil 0.82μH | 2A,2B    |
| •Transistor |             |                    |          |
| IQ5         | 48061801    | 2SC3244            | 2D       |
| •Diode      |             |                    |          |
| ID2         | 48123600    | 11E2               | 2A       |
| ID6         | 03117600    | 1S2473T77          | 1D       |
|             | or 46086000 | 1S1588TP-3         | 1D       |
| IPT1        | 48484100    | Thermistor         | 1B       |
| △IPT2       | 48262700    | Thermistor         | 1D       |

| Parts No.    | Stock No.   | Description       | Position |
|--------------|-------------|-------------------|----------|
| △IR23        | 46249300    | 100Ω 1W N.I.R.    | 2D       |
| △IR24        | 46249300    | 100Ω 1W N.I.R.    | 2D       |
| IC6          | 48103600    | 3.3μF 50V E.B.    | 2D       |
| IRL1         | 48183100    | Relay             | 2A       |
|              | or 48183200 | Relay             | 2A       |
| •Transistor  |             |                   |          |
| mQ1          | 03083901    | 2SD313HP          | 2A       |
|              | or 46546701 | 2SD880            | 2A       |
|              | or 48073601 | 2SD1061           | 2A       |
|              | or 48369801 | 2SC1826           | 2A       |
| •Diode       |             |                   |          |
| △mD1         | 48159900    | CTM-22S           | 3A       |
| △mD2         | 48159800    | CTM-22R           | 3B       |
| △mD5         | 03117000    | RB152-LFF         | 3C       |
| •Zener Diode |             |                   |          |
| mDZ1         | 03150601    | EQB01-12          | 3D       |
|              | or 03170300 | RD12F             | 3D       |
| mDZ2         | 03150601    | EQB01-12          | 3D       |
|              | or 03170300 | RD12F             | 3D       |
| mDZ4         | 46116000    | 05Z24-Y           | 1A       |
|              | or 46116100 | 05Z24-Z           | 1A       |
| △mR2         | 46624500    | 150Ω 2W N.I.R.    | 3D       |
| △mR3         | 46249600    | 180Ω 1W N.I.R.    | 3D       |
| △mR4         | 46250300    | 680Ω 1W N.I.R.    | 2A       |
| △mR6         | 46230700    | 2.7kΩ 1/2W N.I.R. | 2A       |
| △mR31        | 46623100    | 10Ω 2W N.I.R.     |          |
| mC1          | 48201400    | 8200μF 80V E.C.   | 2A       |
| mC2          | 48201400    | 8200μF 80V E.C.   | 2B       |
| mC10         | 08680400    | 0.01μF 500V C.C.  | 3B       |

2-7. F-5225 IC of Control Board (Stock No. 00980401 = A-E750/Stock No. 00932001 = A-E550)

Component Side

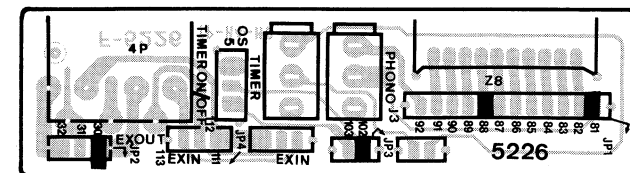


Parts List

| Parts No.     | Stock No.   | Description     | Position | Parts No.     | Stock No. | Description           | Position |
|---------------|-------------|-----------------|----------|---------------|-----------|-----------------------|----------|
| IC200         | 46282500    | 3900pF 50V F.C. |          | oIC2          | 46255000  | LC4066BH              | 2B       |
| • Transistor  |             |                 |          | or 48056800   |           | LC4966                | 2B       |
| IQ6           | 46367101    | 2SC2603         | 1D       | 48316710      |           | μPD7507CU-220         | 1C       |
|               | or 46367301 | 2SC2458         | 1D       | oXO1          | 48339400  | Quartz Crystal KF38G  | 1C       |
|               | or 46391901 | 2SC2785         | 1D       | • Diode       |           |                       |          |
| • Zener Diode |             |                 |          | oD3           | 03117600  | 1S2473T77             | 1D       |
| mDZ6          | 46111100    | 05Z5.1-X        | 1D       | or 46086000   |           | 1S1588TP-3            | 1D       |
|               | or 46824300 | RD4.7E-B1       | 1D       | oD4           | 03117600  | 1S2473T77             | 1D       |
| • Transistor  |             |                 |          | or 46086000   |           | 1S1588TP-3            | 1D       |
| oQ1           | 46188601    | 2SA1015         | 1C       | oD5           | 03117600  | 1S2473T77             | 1D       |
|               | or 46367001 | 2SA1115         | 1C       | or 46086000   |           | 1S1588TP-3            | 1D       |
|               | or 46367201 | 2SA1048         | 1C       | oD6           | 03117600  | 1S2473T77             | 1D       |
| oQ2           | 46188601    | 2SA1015         | 2C       | or 46086000   |           | 1S1588TP-3            | 1D       |
|               | or 46367001 | 2SA1115         | 2C       | oD7           | 03117600  | 1S2473T77             | 2C       |
|               | or 46367201 | 2SA1048         | 2C       | or 46086000   |           | 1S1588TP-3            | 2C       |
| oQ3           | 46188601    | 2SA1015         | 2C       | oD10          | 03117600  | 1S2473T77             | 2D       |
|               | or 46367001 | 2SA1115         | 2C       | or 46086000   |           | 1S1588TP-3            | 2D       |
|               | or 46367201 | 2SA1048         | 2C       | • Zener Diode |           |                       |          |
| oQ4           | 46188601    | 2SA1015         | 2B       | oDZ1          | 46112700  | 05Z8.2-Y              | 1C       |
|               | or 46367001 | 2SA1115         | 2B       | oDZ2          | 46112700  | 05Z8.2-Y              | 1C       |
|               | or 46367201 | 2SA1048         | 2B       | oDZ3          | 46112700  | 05Z8.2-Y              | 2C       |
| oQ5           | 46188701    | 2SC1815         | 2D       | oDZ4          | 46112700  | 05Z8.2-Y              | 2C       |
|               | or 46367101 | 2SC2603         | 2D       | oZ1           | 07244900  | Buzzer (PKM12-4A2)    | 2D       |
|               | or 46367301 | 2SC2458         | 2D       | oZ4           | 46363700  | 2P Terminal, PHONO    | 1A       |
| • IC          |             |                 |          | oZ5           | 46371500  | 4P Terminal, TUNER·CD | 1A       |
| oIC1          | 46255000    | LC4066BH        | 1B       | oZ6           | 46371500  | 4P Terminal, TAPE     | 2A       |
|               | or 48056800 | LC4966          | 1B       |               |           |                       |          |

2-8. F-5226 System Control Terminal Board

Component Side

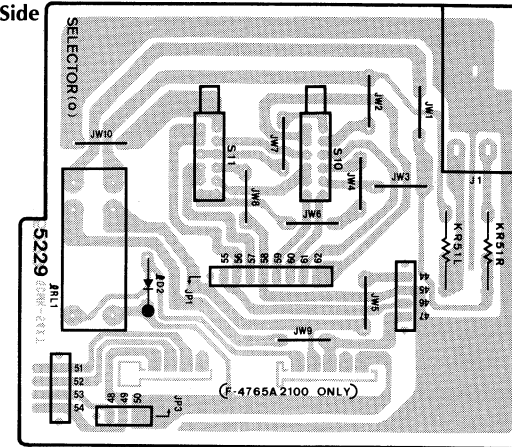


Parts List

| Parts No. | Stock No. | Description                   |
|-----------|-----------|-------------------------------|
| oS5       | 46606000  | Push SW., TIMER               |
| oJ3       | 46148200  | Jack, Remote Control (Player) |
| oZ8       | 48313900  | ST Socket (10 Pin)            |
| oZ7       | 46371500  | 4P Terminal, VIDEO SOUND      |

2-9. F-5229 SPEAKERS SW. Board <A-E550>

Component Side

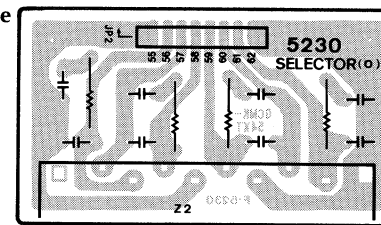


Parts List

| Parts No. | Stock No.   | Description          |
|-----------|-------------|----------------------|
| ΔKR51     | 46229400    | 220Ω 1/2W N.I.R.     |
| • Diode   |             |                      |
| ID2       | 48123600    | 11E2                 |
| IRL1      | 48183100    | Relay                |
|           | or 48183200 | Relay                |
| oS10      | 46941800    | Push SW., SPEAKERS-A |
| oS11      | 46941800    | Push SW., SPEAKERS-B |
| oJ1       | 46265700    | Jack, PHONES         |

2-10. F-5230 SPEAKERS Terminal Board <A-E550>

Component Side

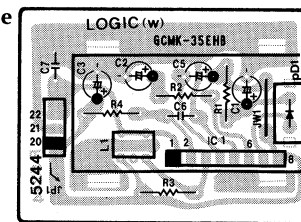


Parts List

| Parts No. | Stock No. | Description           |
|-----------|-----------|-----------------------|
| oZ2       | 46947500  | 8P Terminal, SPEAKERS |

2-11. F-5244 Remote Control Receiver Board (Stock No. 00980201 = A-E750/Stock No. 00932701 = A-E550)

Component Side

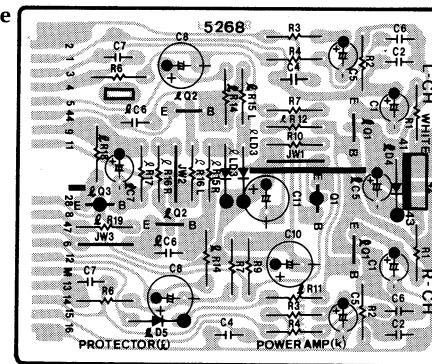


Parts List

| Parts No. | Stock No. | Description          |
|-----------|-----------|----------------------|
| • IC      |           |                      |
| wIC1      | 48159100  | LA7224               |
| wPD1      | 48268800  | Photo Diode (PD49PI) |
| wL1       | 48179100  | Coil (38kHz)         |

2-12. F-5268 Protector Board <A-E550> (Stock No. 00931401)

Component Side



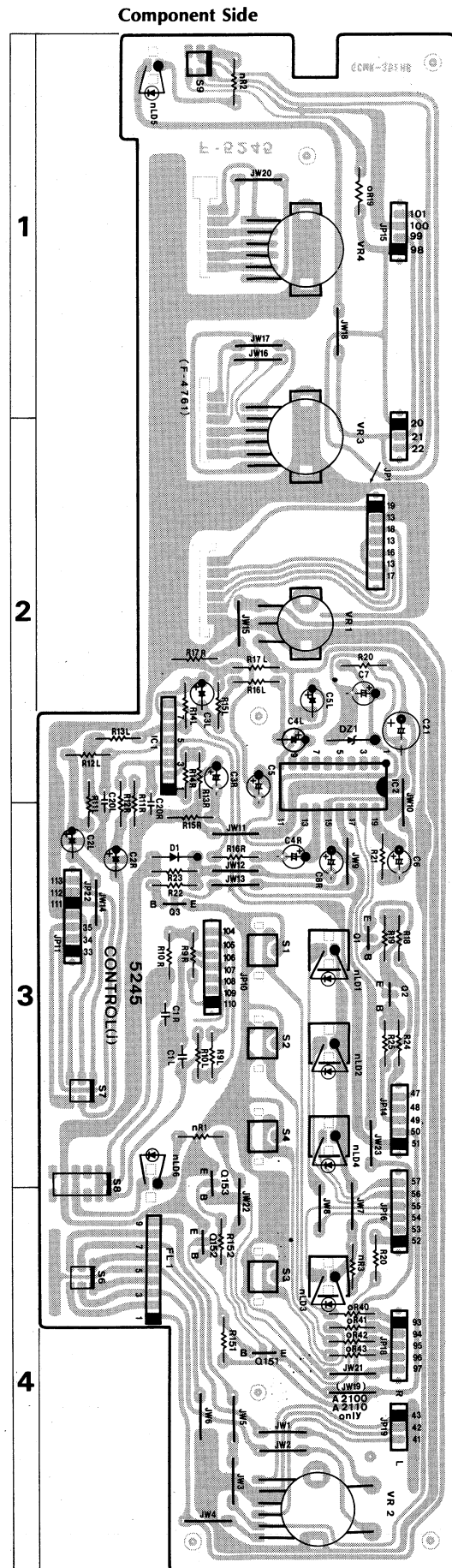
Parts List

| Parts No. | Stock No.   | Description    |
|-----------|-------------|----------------|
| IQ1       | 46367101    | 2SC2603        |
|           | or 46367301 | 2SC2458        |
|           | or 46391901 | 2SC2785        |
| IQ2       | 46367101    | 2SC2603        |
|           | or 46367301 | 2SC2458        |
|           | or 46391901 | 2SC2785        |
| IQ3       | 46581601    | 2SA992         |
|           | or 46614001 | 2SA1283        |
|           | or 46947301 | 2SA1049        |
| • Diode   |             |                |
| ID3       | 03117600    | 1S2473T77      |
|           | or 46086000 | 1S1588TP-3     |
| ID4       | 03117600    | 1S2473T77      |
|           | or 46086000 | 1S1588TP-3     |
| ID5       | 03117600    | 1S2473T77      |
|           | or 46086000 | 1S1588TP-3     |
| IC6       | 46284100    | 0.1μF 50V F.C. |

Parts List

| Parts No.    | Stock No.   | Description |
|--------------|-------------|-------------|
| • Transistor |             |             |
| kQ1          | 46581601    | 2SA992      |
|              | or 46614001 | 2SA1283     |
|              | or 46947301 | 2SA1049     |

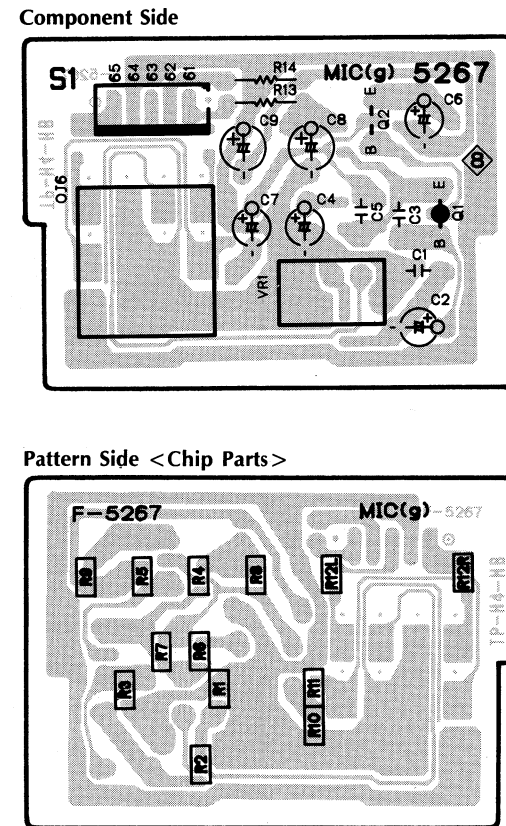
2-13. F-5245 Selector SW. & Control Amp. Board (Stock No. 00980301 = A-E750/Stock No. 00980301 = A-E550)



**Parts List**

| Parts No.     | Stock No.   | Description                | Position |
|---------------|-------------|----------------------------|----------|
| • Transistor  |             |                            |          |
| Q1            | 46188701    | 2SC1815                    | 3        |
|               | or 46367101 | 2SC2603                    | 3        |
|               | or 46367301 | 2SC2458                    | 3        |
| Q2            | 46188701    | 2SC1815                    | 3        |
|               | or 46367101 | 2SC2603                    | 3        |
|               | or 46367301 | 2SC2458                    | 3        |
| Q3            | 46188701    | 2SC1815                    | 3        |
|               | or 46367101 | 2SC2603                    | 3        |
|               | or 46367301 | 2SC2458                    | 3        |
| • IC          |             |                            |          |
| JIC1          | 46078900    | M5218L                     | 2        |
| JIC2          | 46671600    | LC7530                     | 2        |
| • Diode       |             |                            |          |
| JD1           | 03117600    | 1S2473T77                  | 3        |
|               | or 46086000 | 1S1588TP-3                 | 3        |
| • Zener Diode |             |                            |          |
| JDZ1          | 46111800    | 05Z6.2-Y                   | 2        |
|               | or 46825200 | RD6.2E-B1                  | 2        |
| JC1           | 46282600    | 4700pF 50V F.C.            | 3        |
| JFL1          | 48172000    | CR Module                  | 4        |
| JVR1          | 48318500    | 250kΩ V.R., BALANCE        | 2        |
| JVR2          | 48349400    | 150kΩ (B) V.R., VOLUME     | 4        |
| JVR3          | 48318600    | 50kΩ (C) V.R., BASS        | 2        |
| JVR4          | 48318600    | 50kΩ (C) V.R., TREBLE      | 1        |
| • LED         |             |                            |          |
| nLD1          | 46176900    | TLS-123                    | 3        |
| nLD2          | 46176900    | TLS-123                    | 3        |
| nLD3          | 46176900    | TLS-123                    | 4        |
| nLD4          | 46176900    | TLS-123                    | 3        |
| nLD5          | 03193700    | SEL1110S                   | 1        |
| nLD6          | 03193700    | SEL1110S                   | 3        |
| oS1           | 48306900    | Push SW., PHONO            | 3        |
| oS2           | 48306900    | Push SW., TUNER            | 3        |
| oS3           | 48306900    | Push SW., CD               | 4        |
| oS4           | 48306900    | Push SW., TAPE             | 3        |
| oS6           | 48313700    | Push SW., LOUDNESS         | 4        |
| oS7           | 48313700    | Push SW., VIDEO/EQ         | 3        |
| oS8           | 48319100    | Push SW., CD POSITION      | 3        |
| oS9           | 48313700    | Push SW., REMOTE CONTROL 1 | 3        |

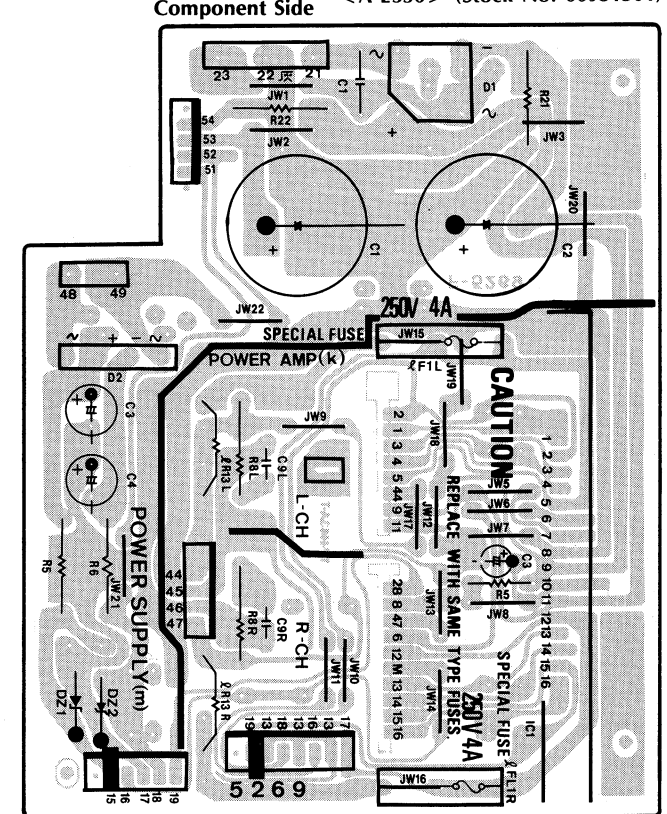
2-14. F-5267 Mic Amp. Board (Stock No. 00931601)



**Parts List**

| Parts No.    | Stock No.   | Description           |
|--------------|-------------|-----------------------|
| • Transistor |             |                       |
| gQ1          | 46581601    | 2SA992                |
| gQ2          | 46188701    | 2SC1815               |
|              | or 46367101 | 2SC2603               |
|              | or 46577801 | 2SC2320L              |
| gR1          | 46751600    | 47kΩ 1/8W Chip R.     |
| gR2          | 46746800    | 470Ω 1/8W Chip R.     |
| gR3          | 46752600    | 120kΩ 1/8W Chip R.    |
| gR4          | 46753000    | 180kΩ 1/8W Chip R.    |
| gR5          | 46752000    | 68kΩ 1/8W Chip R.     |
| gR6          | 46744600    | 56Ω 1/8W Chip R.      |
| gR7          | 46751000    | 27kΩ 1/8W Chip R.     |
| gR8          | 46749200    | 4.7kΩ 1/8W Chip R.    |
| gR9          | 46747800    | 1.2kΩ 1/8W Chip R.    |
| gR10         | 46752400    | 100kΩ 1/8W Chip R.    |
| gR11         | 46746800    | 470Ω 1/8W Chip R.     |
| gR12         | 46749800    | 8.2kΩ 1/8W Chip R.    |
| gR13         | 46229000    | 100Ω 1/2W N.I.R.      |
| gVR1         | 48318700    | 20kΩ V.R., MIC MIXING |
| oJ2          | 46365100    | Jack, MIC             |

2-15. F-5269 Power Amp. & Power Supply Board <A-E550> (Stock No. 00931501)



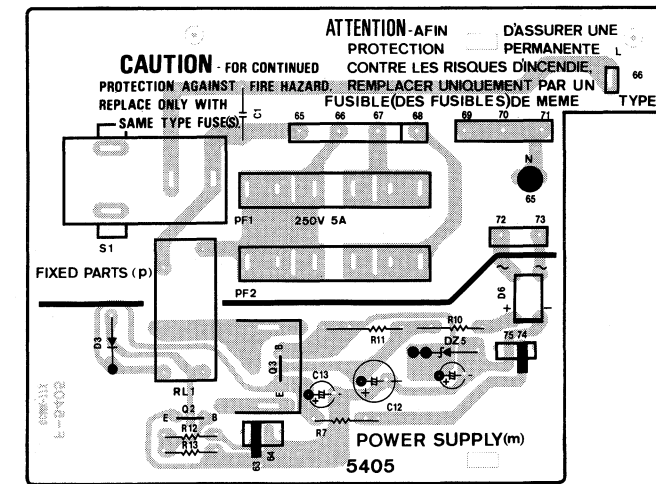
**Parts List**

| Parts No.     | Stock No.   | Description      |
|---------------|-------------|------------------|
| • IC          |             |                  |
| ΔkIC1         | 48065400    | STK4913          |
| kC9           | 46283700    | 0.047μF 50V F.C. |
| ΔIR13         | 46621100    | 0.22Ω 2W N.I.R.  |
| • Diode       |             |                  |
| ΔmD1          | 46194700    | RB402-LFF        |
| Δ             | or 48177400 | DBA40-C          |
| ΔmD2          | 03117000    | RB152-LFF        |
| • Zener Diode |             |                  |
| mDZ1          | 46113800    | 05Z12-X          |
|               | or 46113900 | 05Z12-Y          |
| mDZ2          | 46113800    | 05Z12-X          |
|               | or 46113900 | 05Z12-Y          |
| ΔmR31         | 46623100    | 10Ω 2W N.I.R.    |
| mC1           | 46395200    | 4700μF 56V E.C.  |
| mC2           | 46395200    | 4700μF 56V E.C.  |
| ΔmC8          | 08680400    | 0.01μF 500V C.C. |



**2-16. F-5405 Power SW. Board <A-E750>**  
 (Stock No. 00980601 = XX/Stock No. 00980602 = UL)  
 (Stock No. 00980603 = CSA/Stock No. 00980605 = EU•BS)  
 (Stock No. 00980609 = SEV)

Component Side

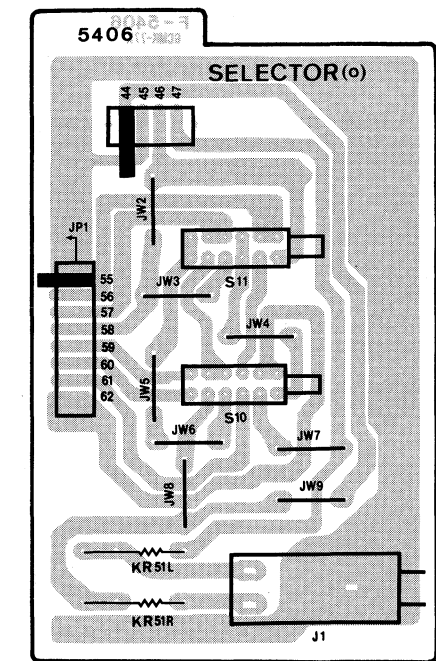


Parts List

| Parts No.    | Stock No.   | Description                       |
|--------------|-------------|-----------------------------------|
| •Transistor  |             |                                   |
| mQ2          | 07194801    | 2SC1815                           |
|              | or 46078801 | 2SC2458                           |
| mQ3          | 03083901    | 2SD313HP (XX)                     |
|              | 46546701    | 2SD880 (XX)                       |
|              | 48073601    | 2SD1061 (XX)                      |
|              | 48369801    | 2SC1826 (XX)                      |
|              | 48059501    | 2SC3244 (UL•CSA•EU•BS•SEV)        |
| •Diode       |             |                                   |
| mD3          | 48123600    | 11E2                              |
| △mD6         | 46273600    | DBB10B                            |
| •Zener Diode |             |                                   |
| mDZ5         | 03150601    | EQB01-12 (XX)                     |
|              | 03170300    | RD12F (XX)                        |
|              | 46113800    | 05Z12X (UL•CSA•EU•BS•SEV)         |
|              | 46113900    | 05Z12Y (UL•CSA•EU•BS•SEV)         |
| nR11         | 46625000    | 390Ω 2W N.I.R.                    |
| mRL1         | 48340200    | Relay                             |
|              | or 48340300 | Relay                             |
| △pC1         | 46371700    | 4700pF 400V C.C.                  |
| △            | or 48186600 | 4700pF 400V C.C.                  |
| △pF1         | 48266900    | AC Fuse 2.5A 250V (XX)            |
| △            | 48267300    | AC Fuse 5.0A 250V (UL•CSA)        |
| △            | 07185100    | AC Fuse 2.5A 250V (EU•BS•SEV)     |
| △pF2         | 48266900    | AC Fuse 2.5A 250V (XX)            |
| △            | 07184800    | Fuse 1.25A 250V (SEV)             |
| △pS1         | 48113300    | Push SW., POWER (XX•UL•EU•BS•SEV) |
| △            | 48065100    | Push SW., POWER (CSA)             |

**2-17. F-5406 SPEAKERS SW. Board <A-E750>**

Component Side

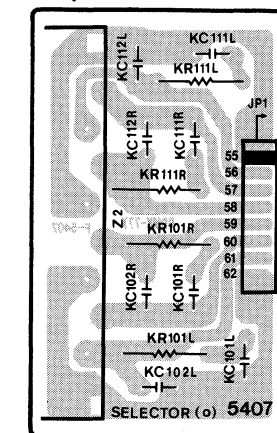


Parts List

| Parts No. | Stock No. | Description          |
|-----------|-----------|----------------------|
| △kr51     | 46249700  | 220Ω 1W N.I.R.       |
| oS10      | 46941800  | Push SW., SPEAKERS-A |
| oS11      | 46941800  | Push SW., SPEAKERS-B |
| oJ1       | 46265700  | Jack, PHONES         |

**2-18. F-5407 SPEAKERS Terminal Board <A-E750>**

Component Side

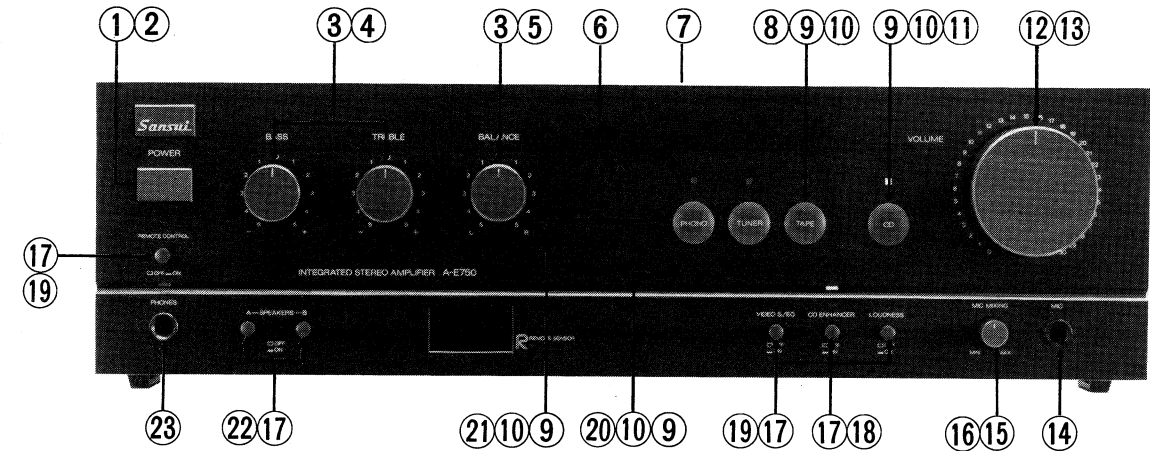


Parts List

| Parts No. | Stock No. | Description           |
|-----------|-----------|-----------------------|
| oZ2       | 46947500  | 8P Terminal, SPEAKERS |

### 3. OTHER PARTS

#### 3-1. Front View



#### Parts List

| Parts No. | Stock No. | Description                                  |
|-----------|-----------|--|
| 1         | 27039800  | Knob, POWER                                  |
| △ 2       | 48113300  | Push SW., POWER for A-E750 (XX·UL·EU·BS·SEV) |
| △         | 48065100  | Push SW., POWER for A-E750 (CSA)             |
| △         | 46364300  | Push SW., POWER for A-E550                   |
| 3         | 27056200  | Knob, BASS, TREBLE, BALANCE                  |
| 4         | 48318600  | 50kΩ V.R., BASS, TREBLE                      |
| 5         | 48318500  | 250kΩ V.R., BALANCE                          |
| 6         | 27171600  | Front Panel Ass'y (A-E750)                   |
|           | 27164200  | Front Panel Ass'y (A-E550)                   |
| 7         | 27049300  | Bonnet                                       |
| 8         | 27052500  | Knob, TAPE                                   |
| 9         | 48306900  | Push SW., PHONO, TUNER, TAPE, CD             |
| 10        | 27051400  | Knob, Adapter                                |

| Parts No. | Stock No. | Description   |
|-----------|-----------|---|
| 11        | 27052600  | Knob, CD  |
| 12        | 27056300  | Knob, VOLUME  |
| 13        | 48349400  | 150kΩ V.R., VOLUME  |
| 14        | 46365100  | Jack, MIC   |
| 15        | 47636100  | Knob, MIC MIXING  |
| 16        | 48318700  | 20kΩ V.R., MIC MIXING   |
| 17        | 27038500  | Knob, LOUDNESS, CD POSITION, SPEAKERS, VIDEO S/EQ, REMORT CONTROL |
| 18        | 48319100  | Push SW., CD POSITION   |
| 19        | 48313700  | Push SW., LOUDNESS, VIDEO S/EQ REMORT CONTROL                     |
| 20        | 27052400  | Knob, TUNER   |
| 21        | 27052300  | Knob, PHONO   |
| 22        | 46941800  | Push SW., SPEAKERS  |
| 23        | 46265700  | Jack, PHONES  |

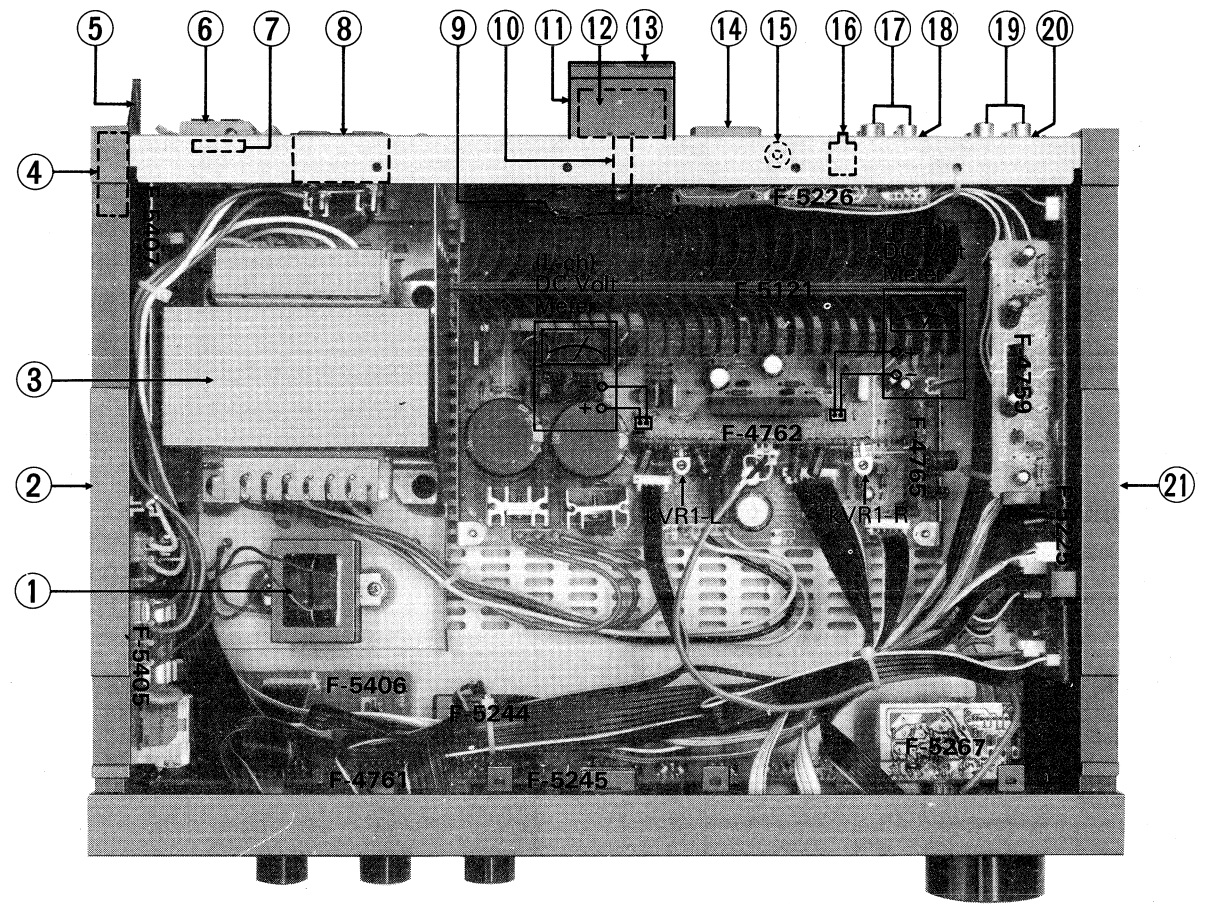
#### 3-2. Top View

#### Parts List

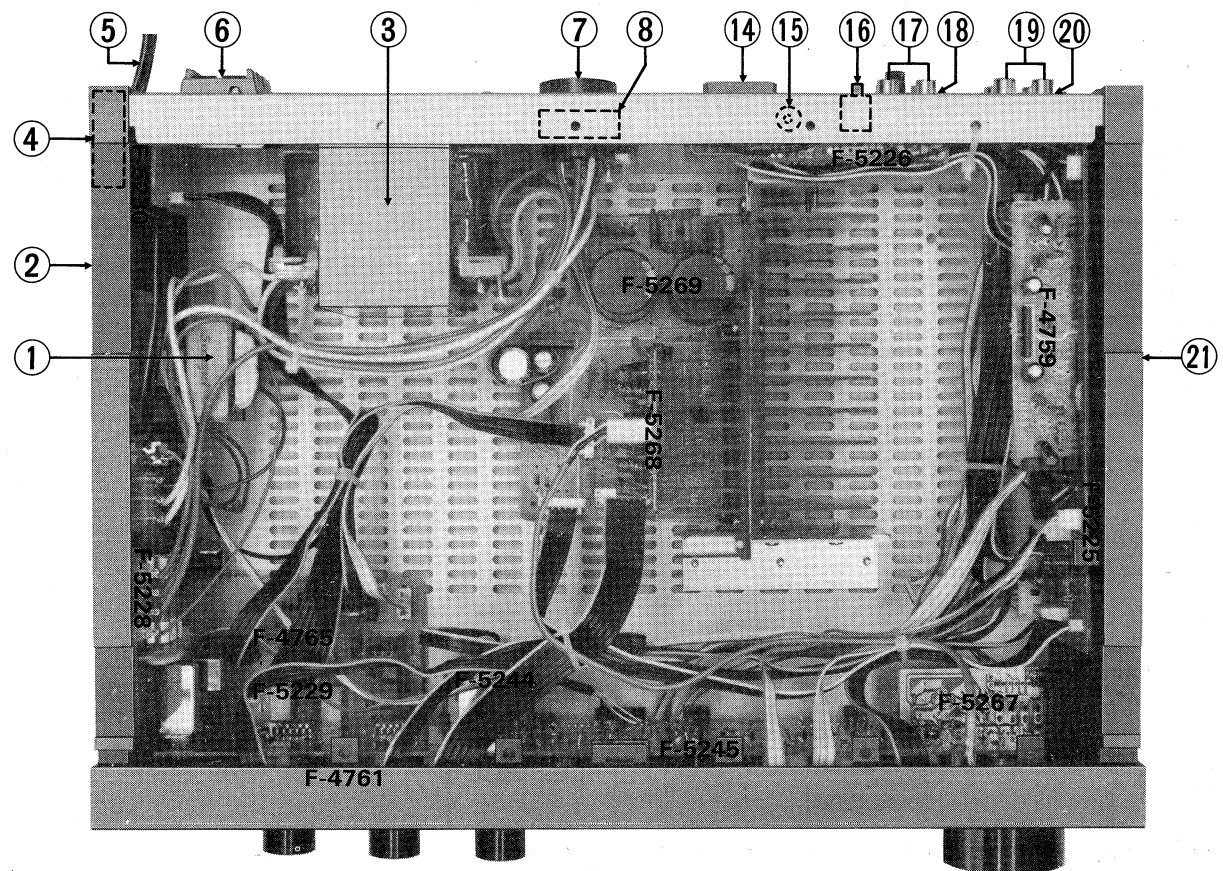
| Parts No. | Stock No. | Description  |
|-----------|-----------|--|
| △ 1       | 15025501  | Small Power Transformer for A-E750 (XX)                              |
| △         | 15025502  | Small Power Transformer for A-E750 (UL·CSA)                          |
| △         | 15025505  | Small Power Transformer for A-E750 (EU·BS·SEV)                       |
| △         | 15025301  | Small Power Transformer for A-E550 (XX)                              |
| △         | 15025302  | Small Power Transformer for A-E550 (UL)                              |
| △         | 15025305  | Small Power Transformer for A-E550 (EU·BS·SEV)                       |
| 2         | 27055000  | Side Panel Ass'y (Left)  |
| △ 3       | 15025409  | Large Power Transformer with voltage selector socket for A-E750 (XX) |
| △         | 15025402  | Large Power Transformer for A-E750 (UL·CSA)                          |
| △         | 15025405  | Large Power Transformer for A-E750 (EU·BS·SEV)                       |
| △         | 15024109  | Large Power Transformer with voltage selector socket for A-E550 (XX) |
| △         | 15024102  | Large Power Transformer for A-E550 (UL)                              |
| △         | 15024105  | Large Power Transformer for A-E550 (EU·BS·SEV)                       |
| 4         | 47157300  | AC Cord Cover  |

| Parts No. | Stock No. | Description                           |
|-----------|-----------|---------------------------------------|
| △ 5       | 38004700  | Power Supply Cord (XX·UL)             |
| △         | 48187500  | Power Supply Cord for A-E750 (CSA)    |
| △         | 46128900  | Power Supply Cord for A-E750 (EU)     |
| △         | 48306700  | Power Supply Cord for A-E750 (SEV)    |
| △         | 38004500  | Power Supply Cord for A-E550 (EU·SEV) |
| △         | 38004300  | Power Supply Cord (BS)                |
| 6         | 46947500  | 8P Terminal, SPEAKERS                 |
| △ 7       | 48175200  | Plug, voltage selector (XX)           |
| △         | 07204700  | Slide SW., voltage selector (EU·BS)   |
| △ 8       | 46365000  | AC Outlet (XX·UL)                     |
| △         | 48184400  | AC Outlet for A-E750 (CSA)            |
| △         | 46161000  | AC Outlet (EU·SEV)                    |
| △         | 46364800  | AC Outlet (BS)                        |
| 9         | 07255000  | Fan <A-E750>                          |
| 10        | 47878000  | Spacer <A-E750>                       |
| 11        | 47808100  | Motor Holder <A-E750>                 |
| △ 12      | 46737500  | DC Motor <A-E750>                     |
| 13        | 47808000  | Motor Cover <A-E750>                  |
| 14        | 48313900  | ST Socket (10 Pin)                    |
| 15        | 46148200  | Mini Jack, player control             |
| 16        | 46606000  | Push SW., TIMER                       |
| 17        | 46371500  | 4P Terminal, VIDEO S./EQ              |
| 18        | 22301510  | GND Terminal                          |
| 19        | 46363700  | 2P Terminal, PLAYER                   |
| 20        | 46371500  | 4P Terminal, TUNER, CD, TAPE          |
| 21        | 27055100  | Side Panel Ass'y (Right)              |

<A-E750>

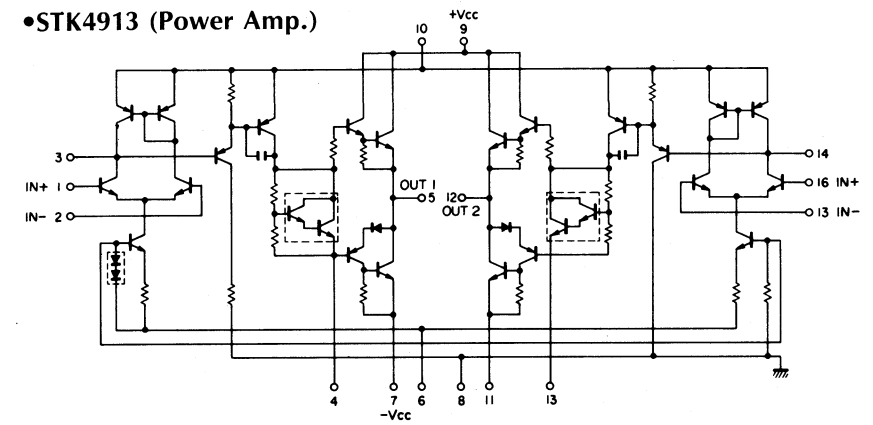


<A-E550>

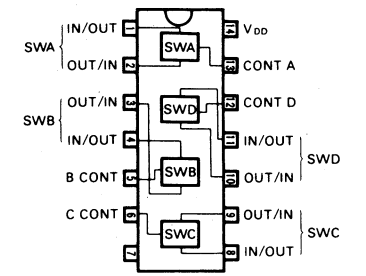


### 4. INTERIOR BLOCK DIAGRAM OF IC

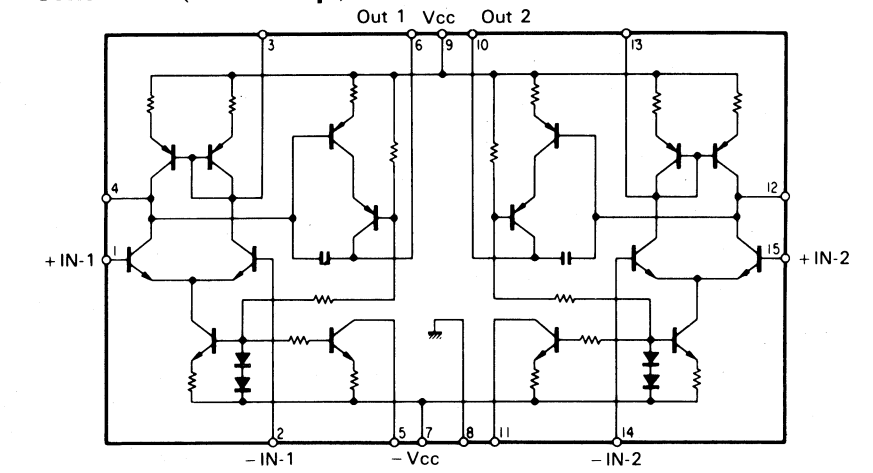
•STK4913 (Power Amp.)



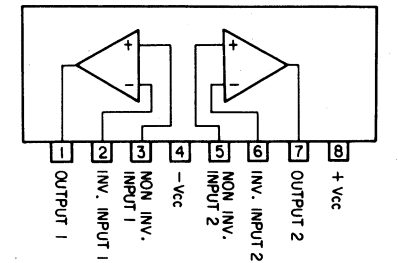
•LC4966/LC4066BH (Analog SW.)



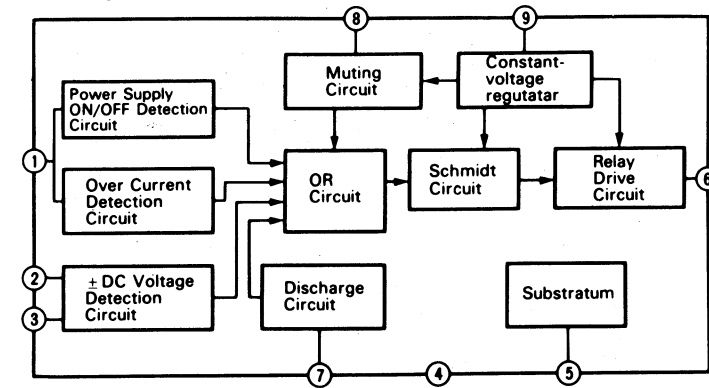
•STK3102-II (Driver Amp.)



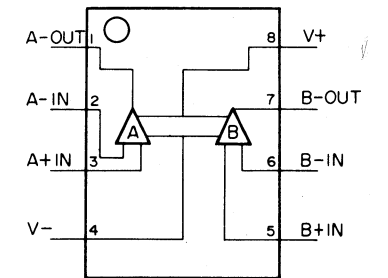
•M5218L (Pre Amp.)



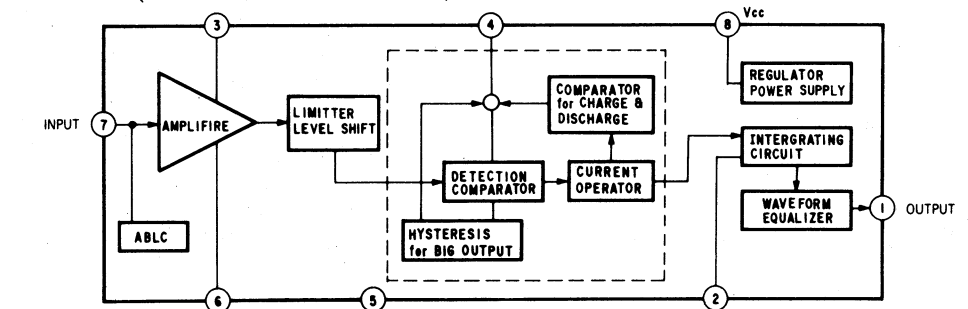
•TA7317P (Speaker Protector)



•NJM4558D (OP Amp.)



•LA7224 (Remote Control Receiver)



## 5. TERMINAL FUNCTIONS OF IC $\mu$ PD7507CU-220 & LC7530

### • $\mu$ PD7507CU-220 (Control)

| i/o | Port           | Pin No.             | i/o | Description | ACTIVE                                  |             |          |
|-----|----------------|---------------------|-----|-------------|---|-------------|----------|
|     |                |                     |     |             | H                                       | L           |          |
| o   | P <sub>2</sub> | 0                   | 2   | o           | Selector Out PHONO                      |             | ○        |
|     |                | 1                   | 3   | o           | Selector Out 1 CD                       |             | ○        |
|     |                | 2                   | 4   | o           | Selector Out 2 TUNER                    |             | ○        |
|     |                | 3                   | 5   | o           | Selector Out 3 TAPE                     |             | ○        |
| o   | P <sub>3</sub> | 0                   | 10  | o           | Volume Up 1 Serial Sig. for V.R.        | ○           |          |
|     |                | 1                   | 11  | o           | Volume Down 1 Serial Sig. for V.R.      | ○           |          |
|     |                | 2                   | 12  | o           | Volume Down Strobe Sig. for V.R.        | ○           |          |
|     |                | 3                   | 13  | o           | Beep                                    |             |          |
| i   | P <sub>1</sub> | 0                   | 6   | i           | Rec Selector In PHONO                   |             | ○        |
|     |                | 1                   | 7   | i           | Rec Selector In CD                      |             | ○        |
|     |                | 2                   | 8   | i           | Rec Selector In TAPE                    |             | ○        |
|     |                | 3                   | 9   | i           | Volume Mode                             | UP/DOWN     | Serial   |
| o   | P <sub>7</sub> | 0                   | 14  | o           | Power On/Off                            | On          | Off      |
|     |                | 1                   | 15  | o           | Busy Out                                |             | Busy     |
|     |                | 2                   | 16  | o           | Mute                                    | On          | Off      |
|     |                | 3                   | 17  | o           | Serial Send REQ                         |             | ○        |
| i   | P <sub>0</sub> | 0/INTO              | 23  | i           | T/T In                                  | STOP        | PLAY     |
|     |                | 1/ $\overline{SCK}$ | 24  | i           | Shuf Off In                             | Timer Start | Shut Off |
|     |                | 2/ $\overline{So}$  | 25  | i           | Timer On/Off In                         | Power Off   | On       |
|     |                | 3/ $\overline{Si}$  | 26  | i           | Sleep In                                | Power Off   | On       |
| i/o | P <sub>6</sub> | 0                   | 27  | i           | Remote Cont. In                         |             |          |
|     |                | 1                   | 28  | i           | Remote Cont. On/Off In                  |             |          |
|     |                | 2                   | 29  | i           | R/T In                                  | R           | T        |
|     |                | 3                   | 30  | i/o         | Compu Selector In/ Set Select Out TUNER |             | ○        |
| o   | P <sub>5</sub> | 0                   | 31  | o           | Parallel Sig. o/ Serial Sig.            | ○           |          |
|     |                | 1                   | 32  | o           | Parallel Sig. Out 1                     | ○           |          |
|     |                | 2                   | 33  | o           | Parallel Sig. Out 2                     | ○           |          |
|     |                | 3                   | 34  | o           | Parallel Sig. Out 3                     | ○           |          |
| i/o | P <sub>4</sub> | 0                   | 35  | i/o         | Compu Selector In/ Set Select Out PHONO |             | ○        |
|     |                | 1                   | 36  | i/o         | Compu Selector In/ Set Select Out CD    |             | ○        |
|     |                | 2                   | 37  | i/o         | Compu Selector In/ TUNER                |             | ○        |
|     |                | 3                   | 38  | i/o         | Compu Selector In/ Set Select Out TAPE  |             | ○        |
| o   | $\phi$ Out/x2  | 1                   | o   |             |   |             |          |
| i   | EVENT/x2       | 40                  | i   |             |   |             |          |
| i   | INT 1          | 22                  | i   | S In        |   | ○           |          |

### •Function of each port

#### A. P<sub>4</sub> Port: Active "L"

- When signal is input from remote controller, this port supply select signal for proper set.  
In case of phono, P<sub>40</sub> port signal is it's start/stop control signal.
- Signal of input selector ... Signal from tact sw. or set for source.
  - When depress any sw. at the same time, signal which remains at the last receive.
  - Manage time for chattering = 25mS.
  - When this port receive signal from remote controller, refuse signal from tact sw. and set for source. (1st Date)

**B. P<sub>5</sub> port: 4 bit date bus, for DECK, TUNER and CD.**  
This port supply date which correspond with input date.

**C. P<sub>2</sub> port: Control signal which is input selector for amplifier Out, Indicator Drive**  
Change bit of position which correspond with input date from "H" level to "L" leve.

**D. P<sub>7-0</sub>: Power On/Off**  
This terminal supply "H" voltage level at power on condition and "L" voltage level at power off condition.

**E. P<sub>3-0</sub>: Serial date for volume Up/V.R. Out**  

- This terminal supply one plus whenever input signal.
- When signal input two seconds or more continually, this terminal supply on pulse at intervals of 10mS till no input signal.

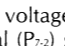
**F. P<sub>3-1</sub>: Serial date for volume Down/V.R. Out**  
Same as "E. P<sub>3-0</sub>".

**G. P<sub>6-0</sub>: Input terminal for date from remote controller**  
Signal are inputted through wave shaping circuit.

**H. P<sub>0-0</sub>: Signal of platter**  

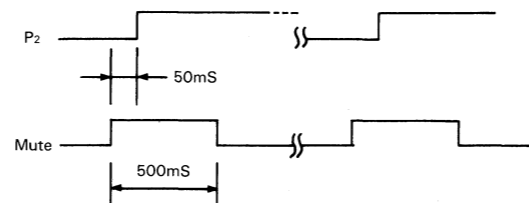
- This terminal input signal in order to recognize condition of disc player. (play or stop)
- When platter is play condition, this terminal input "L" voltage level.

**I. INT 1: S Input**  

- When this terminal changed from "L" voltage level to "H" voltage level (  ), mute signal terminal (P<sub>7-2</sub>) supply "H" voltage level, beep terminal (P<sub>3-3</sub>) supply on signal continually and forbid all input function.
- And power on/off terminal (P<sub>7-0</sub>) change "L" voltage level.
- No release from this condition till power on again.

**J. P<sub>7-2</sub>: Mute Out**  

- When mode of power on/off or selector out (P<sub>2</sub> port) are changed, and remote control terminal (P<sub>6-0</sub>, P<sub>6-1</sub>) or P<sub>4</sub> port is inputted signal, this terminal supply the signal.
- Even, it is inputted signal of same mode, not supply.



**K. P<sub>3-3</sub>: Beep Out**  

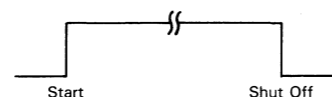
- When remote control terminal and P<sub>4</sub> port is inputted signal, this terminal supply the signal for 50mS. (Even, this terminal is inputted the signal of same mode, it supply.)
- f = 1 ~ 2kHz

**L. P<sub>1</sub> Port: Rec Selector Input**  

- This terminal input signal in order to recognize rec selector position.
- When depress phono sw. and tape sw. at the same time, this terminal change for inputting function for power on/off.

**M. P<sub>7-3</sub>: Serial send REQ.**  
When it supply the serial date, this is it's request signal.

**N. P<sub>0-1</sub>: Shut Off Input**  
This is input terminal for timer start or shut off of deck.



**O. P<sub>0-2</sub>: Timer On/Off Input**  

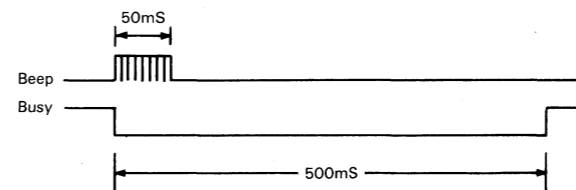
- This terminal is inputted signal of power control from timer unit.
- "H" voltage level..... Power off contiction.
- "L" voltage level..... Power on contiction.

**P. P<sub>0-3</sub>: Sleep Input**  
Same as "O. P<sub>0-2</sub>".

**Q. P<sub>6-2</sub>: R/T Input**  
This terminal input signal in order to select mode of receiver or tuner.

**R. P<sub>7-1</sub>: Busy**  

- When condition of IC is changed by remote controller, it supply.
- Active "L"



### •LC7530 (Electronic Sound Volume IC)

#### <Description of Terminals>

| Pin No.  | Terminal Name | Description   |                                   |     |   |   |   |   |   |   |   |   |   |   |   |   |   |   |   |   |   |   |  |  |  |  |  |  |  |   |   |   |  |  |  |  |  |  |   |  |   |  |  |  |  |  |  |   |  |  |   |   |  |  |  |  |   |  |  |  |   |  |  |  |  |   |  |  |  |  |   |   |  |  |   |  |  |  |  |  |   |  |  |   |  |  |  |  |  |  |   |   |   |  |  |  |  |  |  |   |  |    |  |  |  |  |  |  |  |   |   |    |  |  |  |  |  |  |  |  |   |    |  |  |  |  |  |  |  |  |  |   |   |    |  |  |  |  |  |  |  |  |  |  |   |    |  |  |  |  |  |  |  |  |  |  |  |   |   |    |  |  |  |  |  |  |  |  |  |  |  |  |  |   |
|--|---------------|---|-----------------------------------|-----|---|---|---|---|---|---|---|---|---|---|---|---|---|---|---|---|---|---|--|--|--|--|--|--|--|---|---|---|--|--|--|--|--|--|---|--|---|--|--|--|--|--|--|---|--|--|---|---|--|--|--|--|---|--|--|--|---|--|--|--|--|---|--|--|--|--|---|---|--|--|---|--|--|--|--|--|---|--|--|---|--|--|--|--|--|--|---|---|---|--|--|--|--|--|--|---|--|----|--|--|--|--|--|--|--|---|---|----|--|--|--|--|--|--|--|--|---|----|--|--|--|--|--|--|--|--|--|---|---|----|--|--|--|--|--|--|--|--|--|--|---|----|--|--|--|--|--|--|--|--|--|--|--|---|---|----|--|--|--|--|--|--|--|--|--|--|--|--|--|---|
| 1~8  | IND1~8        | Sound volume position displaying output terminals:<br>When INIT is at "L", only IND5 is at "H". |                                   |     |   |   |   |   |   |   |   |   |   |   |   |   |   |   |   |   |   |   |  |  |  |  |  |  |  |   |   |   |  |  |  |  |  |  |   |  |   |  |  |  |  |  |  |   |  |  |   |   |  |  |  |  |   |  |  |  |   |  |  |  |  |   |  |  |  |  |   |   |  |  |   |  |  |  |  |  |   |  |  |   |  |  |  |  |  |  |   |   |   |  |  |  |  |  |  |   |  |    |  |  |  |  |  |  |  |   |   |    |  |  |  |  |  |  |  |  |   |    |  |  |  |  |  |  |  |  |  |   |   |    |  |  |  |  |  |  |  |  |  |  |   |    |  |  |  |  |  |  |  |  |  |  |  |   |   |    |  |  |  |  |  |  |  |  |  |  |  |  |  |   |
| <table border="1"> <thead> <tr> <th>Control terminal of analog switch</th> <th colspan="8">IND</th> </tr> <tr> <th></th> <th>1</th> <th>2</th> <th>3</th> <th>4</th> <th>5</th> <th>6</th> <th>7</th> <th>8</th> </tr> </thead> <tbody> <tr><td>1</td><td>H</td><td></td><td></td><td></td><td></td><td></td><td></td><td></td></tr> <tr><td>2</td><td>H</td><td>H</td><td></td><td></td><td></td><td></td><td></td><td></td></tr> <tr><td>3</td><td></td><td>H</td><td></td><td></td><td></td><td></td><td></td><td></td></tr> <tr><td>4</td><td></td><td></td><td>H</td><td>H</td><td></td><td></td><td></td><td></td></tr> <tr><td>5</td><td></td><td></td><td></td><td>H</td><td></td><td></td><td></td><td></td></tr> <tr><td>6</td><td></td><td></td><td></td><td></td><td>H</td><td>H</td><td></td><td></td></tr> <tr><td>7</td><td></td><td></td><td></td><td></td><td></td><td>H</td><td></td><td></td></tr> <tr><td>8</td><td></td><td></td><td></td><td></td><td></td><td></td><td>H</td><td>H</td></tr> <tr><td>9</td><td></td><td></td><td></td><td></td><td></td><td></td><td>H</td><td></td></tr> <tr><td>10</td><td></td><td></td><td></td><td></td><td></td><td></td><td></td><td>H</td><td>H</td></tr> <tr><td>11</td><td></td><td></td><td></td><td></td><td></td><td></td><td></td><td></td><td>H</td></tr> <tr><td>12</td><td></td><td></td><td></td><td></td><td></td><td></td><td></td><td></td><td></td><td>H</td><td>H</td></tr> <tr><td>13</td><td></td><td></td><td></td><td></td><td></td><td></td><td></td><td></td><td></td><td></td><td>H</td></tr> <tr><td>14</td><td></td><td></td><td></td><td></td><td></td><td></td><td></td><td></td><td></td><td></td><td></td><td>H</td><td>H</td></tr> <tr><td>15</td><td></td><td></td><td></td><td></td><td></td><td></td><td></td><td></td><td></td><td></td><td></td><td></td><td></td><td>H</td></tr> </tbody> </table> |               |   | Control terminal of analog switch | IND |   |   |   |   |   |   |   |   | 1 | 2 | 3 | 4 | 5 | 6 | 7 | 8 | 1 | H |  |  |  |  |  |  |  | 2 | H | H |  |  |  |  |  |  | 3 |  | H |  |  |  |  |  |  | 4 |  |  | H | H |  |  |  |  | 5 |  |  |  | H |  |  |  |  | 6 |  |  |  |  | H | H |  |  | 7 |  |  |  |  |  | H |  |  | 8 |  |  |  |  |  |  | H | H | 9 |  |  |  |  |  |  | H |  | 10 |  |  |  |  |  |  |  | H | H | 11 |  |  |  |  |  |  |  |  | H | 12 |  |  |  |  |  |  |  |  |  | H | H | 13 |  |  |  |  |  |  |  |  |  |  | H | 14 |  |  |  |  |  |  |  |  |  |  |  | H | H | 15 |  |  |  |  |  |  |  |  |  |  |  |  |  | H |
| Control terminal of analog switch  | IND           |   |                                   |     |   |   |   |   |   |   |   |   |   |   |   |   |   |   |   |   |   |   |  |  |  |  |  |  |  |   |   |   |  |  |  |  |  |  |   |  |   |  |  |  |  |  |  |   |  |  |   |   |  |  |  |  |   |  |  |  |   |  |  |  |  |   |  |  |  |  |   |   |  |  |   |  |  |  |  |  |   |  |  |   |  |  |  |  |  |  |   |   |   |  |  |  |  |  |  |   |  |    |  |  |  |  |  |  |  |   |   |    |  |  |  |  |  |  |  |  |   |    |  |  |  |  |  |  |  |  |  |   |   |    |  |  |  |  |  |  |  |  |  |  |   |    |  |  |  |  |  |  |  |  |  |  |  |   |   |    |  |  |  |  |  |  |  |  |  |  |  |  |  |   |
|  | 1             | 2   | 3                                 | 4   | 5 | 6 | 7 | 8 |   |   |   |   |   |   |   |   |   |   |   |   |   |   |  |  |  |  |  |  |  |   |   |   |  |  |  |  |  |  |   |  |   |  |  |  |  |  |  |   |  |  |   |   |  |  |  |  |   |  |  |  |   |  |  |  |  |   |  |  |  |  |   |   |  |  |   |  |  |  |  |  |   |  |  |   |  |  |  |  |  |  |   |   |   |  |  |  |  |  |  |   |  |    |  |  |  |  |  |  |  |   |   |    |  |  |  |  |  |  |  |  |   |    |  |  |  |  |  |  |  |  |  |   |   |    |  |  |  |  |  |  |  |  |  |  |   |    |  |  |  |  |  |  |  |  |  |  |  |   |   |    |  |  |  |  |  |  |  |  |  |  |  |  |  |   |
| 1  | H             |   |                                   |     |   |   |   |   |   |   |   |   |   |   |   |   |   |   |   |   |   |   |  |  |  |  |  |  |  |   |   |   |  |  |  |  |  |  |   |  |   |  |  |  |  |  |  |   |  |  |   |   |  |  |  |  |   |  |  |  |   |  |  |  |  |   |  |  |  |  |   |   |  |  |   |  |  |  |  |  |   |  |  |   |  |  |  |  |  |  |   |   |   |  |  |  |  |  |  |   |  |    |  |  |  |  |  |  |  |   |   |    |  |  |  |  |  |  |  |  |   |    |  |  |  |  |  |  |  |  |  |   |   |    |  |  |  |  |  |  |  |  |  |  |   |    |  |  |  |  |  |  |  |  |  |  |  |   |   |    |  |  |  |  |  |  |  |  |  |  |  |  |  |   |
| 2  | H             | H   |                                   |     |   |   |   |   |   |   |   |   |   |   |   |   |   |   |   |   |   |   |  |  |  |  |  |  |  |   |   |   |  |  |  |  |  |  |   |  |   |  |  |  |  |  |  |   |  |  |   |   |  |  |  |  |   |  |  |  |   |  |  |  |  |   |  |  |  |  |   |   |  |  |   |  |  |  |  |  |   |  |  |   |  |  |  |  |  |  |   |   |   |  |  |  |  |  |  |   |  |    |  |  |  |  |  |  |  |   |   |    |  |  |  |  |  |  |  |  |   |    |  |  |  |  |  |  |  |  |  |   |   |    |  |  |  |  |  |  |  |  |  |  |   |    |  |  |  |  |  |  |  |  |  |  |  |   |   |    |  |  |  |  |  |  |  |  |  |  |  |  |  |   |
| 3  |               | H   |                                   |     |   |   |   |   |   |   |   |   |   |   |   |   |   |   |   |   |   |   |  |  |  |  |  |  |  |   |   |   |  |  |  |  |  |  |   |  |   |  |  |  |  |  |  |   |  |  |   |   |  |  |  |  |   |  |  |  |   |  |  |  |  |   |  |  |  |  |   |   |  |  |   |  |  |  |  |  |   |  |  |   |  |  |  |  |  |  |   |   |   |  |  |  |  |  |  |   |  |    |  |  |  |  |  |  |  |   |   |    |  |  |  |  |  |  |  |  |   |    |  |  |  |  |  |  |  |  |  |   |   |    |  |  |  |  |  |  |  |  |  |  |   |    |  |  |  |  |  |  |  |  |  |  |  |   |   |    |  |  |  |  |  |  |  |  |  |  |  |  |  |   |
| 4  |               |   | H                                 | H   |   |   |   |   |   |   |   |   |   |   |   |   |   |   |   |   |   |   |  |  |  |  |  |  |  |   |   |   |  |  |  |  |  |  |   |  |   |  |  |  |  |  |  |   |  |  |   |   |  |  |  |  |   |  |  |  |   |  |  |  |  |   |  |  |  |  |   |   |  |  |   |  |  |  |  |  |   |  |  |   |  |  |  |  |  |  |   |   |   |  |  |  |  |  |  |   |  |    |  |  |  |  |  |  |  |   |   |    |  |  |  |  |  |  |  |  |   |    |  |  |  |  |  |  |  |  |  |   |   |    |  |  |  |  |  |  |  |  |  |  |   |    |  |  |  |  |  |  |  |  |  |  |  |   |   |    |  |  |  |  |  |  |  |  |  |  |  |  |  |   |
| 5  |               |   |                                   | H   |   |   |   |   |   |   |   |   |   |   |   |   |   |   |   |   |   |   |  |  |  |  |  |  |  |   |   |   |  |  |  |  |  |  |   |  |   |  |  |  |  |  |  |   |  |  |   |   |  |  |  |  |   |  |  |  |   |  |  |  |  |   |  |  |  |  |   |   |  |  |   |  |  |  |  |  |   |  |  |   |  |  |  |  |  |  |   |   |   |  |  |  |  |  |  |   |  |    |  |  |  |  |  |  |  |   |   |    |  |  |  |  |  |  |  |  |   |    |  |  |  |  |  |  |  |  |  |   |   |    |  |  |  |  |  |  |  |  |  |  |   |    |  |  |  |  |  |  |  |  |  |  |  |   |   |    |  |  |  |  |  |  |  |  |  |  |  |  |  |   |
| 6  |               |   |                                   |     | H | H |   |   |   |   |   |   |   |   |   |   |   |   |   |   |   |   |  |  |  |  |  |  |  |   |   |   |  |  |  |  |  |  |   |  |   |  |  |  |  |  |  |   |  |  |   |   |  |  |  |  |   |  |  |  |   |  |  |  |  |   |  |  |  |  |   |   |  |  |   |  |  |  |  |  |   |  |  |   |  |  |  |  |  |  |   |   |   |  |  |  |  |  |  |   |  |    |  |  |  |  |  |  |  |   |   |    |  |  |  |  |  |  |  |  |   |    |  |  |  |  |  |  |  |  |  |   |   |    |  |  |  |  |  |  |  |  |  |  |   |    |  |  |  |  |  |  |  |  |  |  |  |   |   |    |  |  |  |  |  |  |  |  |  |  |  |  |  |   |
| 7  |               |   |                                   |     |   | H |   |   |   |   |   |   |   |   |   |   |   |   |   |   |   |   |  |  |  |  |  |  |  |   |   |   |  |  |  |  |  |  |   |  |   |  |  |  |  |  |  |   |  |  |   |   |  |  |  |  |   |  |  |  |   |  |  |  |  |   |  |  |  |  |   |   |  |  |   |  |  |  |  |  |   |  |  |   |  |  |  |  |  |  |   |   |   |  |  |  |  |  |  |   |  |    |  |  |  |  |  |  |  |   |   |    |  |  |  |  |  |  |  |  |   |    |  |  |  |  |  |  |  |  |  |   |   |    |  |  |  |  |  |  |  |  |  |  |   |    |  |  |  |  |  |  |  |  |  |  |  |   |   |    |  |  |  |  |  |  |  |  |  |  |  |  |  |   |
| 8  |               |   |                                   |     |   |   | H | H |   |   |   |   |   |   |   |   |   |   |   |   |   |   |  |  |  |  |  |  |  |   |   |   |  |  |  |  |  |  |   |  |   |  |  |  |  |  |  |   |  |  |   |   |  |  |  |  |   |  |  |  |   |  |  |  |  |   |  |  |  |  |   |   |  |  |   |  |  |  |  |  |   |  |  |   |  |  |  |  |  |  |   |   |   |  |  |  |  |  |  |   |  |    |  |  |  |  |  |  |  |   |   |    |  |  |  |  |  |  |  |  |   |    |  |  |  |  |  |  |  |  |  |   |   |    |  |  |  |  |  |  |  |  |  |  |   |    |  |  |  |  |  |  |  |  |  |  |  |   |   |    |  |  |  |  |  |  |  |  |  |  |  |  |  |   |
| 9  |               |   |                                   |     |   |   | H |   |   |   |   |   |   |   |   |   |   |   |   |   |   |   |  |  |  |  |  |  |  |   |   |   |  |  |  |  |  |  |   |  |   |  |  |  |  |  |  |   |  |  |   |   |  |  |  |  |   |  |  |  |   |  |  |  |  |   |  |  |  |  |   |   |  |  |   |  |  |  |  |  |   |  |  |   |  |  |  |  |  |  |   |   |   |  |  |  |  |  |  |   |  |    |  |  |  |  |  |  |  |   |   |    |  |  |  |  |  |  |  |  |   |    |  |  |  |  |  |  |  |  |  |   |   |    |  |  |  |  |  |  |  |  |  |  |   |    |  |  |  |  |  |  |  |  |  |  |  |   |   |    |  |  |  |  |  |  |  |  |  |  |  |  |  |   |
| 10   |               |   |                                   |     |   |   |   | H | H |   |   |   |   |   |   |   |   |   |   |   |   |   |  |  |  |  |  |  |  |   |   |   |  |  |  |  |  |  |   |  |   |  |  |  |  |  |  |   |  |  |   |   |  |  |  |  |   |  |  |  |   |  |  |  |  |   |  |  |  |  |   |   |  |  |   |  |  |  |  |  |   |  |  |   |  |  |  |  |  |  |   |   |   |  |  |  |  |  |  |   |  |    |  |  |  |  |  |  |  |   |   |    |  |  |  |  |  |  |  |  |   |    |  |  |  |  |  |  |  |  |  |   |   |    |  |  |  |  |  |  |  |  |  |  |   |    |  |  |  |  |  |  |  |  |  |  |  |   |   |    |  |  |  |  |  |  |  |  |  |  |  |  |  |   |
| 11   |               |   |                                   |     |   |   |   |   | H |   |   |   |   |   |   |   |   |   |   |   |   |   |  |  |  |  |  |  |  |   |   |   |  |  |  |  |  |  |   |  |   |  |  |  |  |  |  |   |  |  |   |   |  |  |  |  |   |  |  |  |   |  |  |  |  |   |  |  |  |  |   |   |  |  |   |  |  |  |  |  |   |  |  |   |  |  |  |  |  |  |   |   |   |  |  |  |  |  |  |   |  |    |  |  |  |  |  |  |  |   |   |    |  |  |  |  |  |  |  |  |   |    |  |  |  |  |  |  |  |  |  |   |   |    |  |  |  |  |  |  |  |  |  |  |   |    |  |  |  |  |  |  |  |  |  |  |  |   |   |    |  |  |  |  |  |  |  |  |  |  |  |  |  |   |
| 12   |               |   |                                   |     |   |   |   |   |   | H | H |   |   |   |   |   |   |   |   |   |   |   |  |  |  |  |  |  |  |   |   |   |  |  |  |  |  |  |   |  |   |  |  |  |  |  |  |   |  |  |   |   |  |  |  |  |   |  |  |  |   |  |  |  |  |   |  |  |  |  |   |   |  |  |   |  |  |  |  |  |   |  |  |   |  |  |  |  |  |  |   |   |   |  |  |  |  |  |  |   |  |    |  |  |  |  |  |  |  |   |   |    |  |  |  |  |  |  |  |  |   |    |  |  |  |  |  |  |  |  |  |   |   |    |  |  |  |  |  |  |  |  |  |  |   |    |  |  |  |  |  |  |  |  |  |  |  |   |   |    |  |  |  |  |  |  |  |  |  |  |  |  |  |   |
| 13   |               |   |                                   |     |   |   |   |   |   |   | H |   |   |   |   |   |   |   |   |   |   |   |  |  |  |  |  |  |  |   |   |   |  |  |  |  |  |  |   |  |   |  |  |  |  |  |  |   |  |  |   |   |  |  |  |  |   |  |  |  |   |  |  |  |  |   |  |  |  |  |   |   |  |  |   |  |  |  |  |  |   |  |  |   |  |  |  |  |  |  |   |   |   |  |  |  |  |  |  |   |  |    |  |  |  |  |  |  |  |   |   |    |  |  |  |  |  |  |  |  |   |    |  |  |  |  |  |  |  |  |  |   |   |    |  |  |  |  |  |  |  |  |  |  |   |    |  |  |  |  |  |  |  |  |  |  |  |   |   |    |  |  |  |  |  |  |  |  |  |  |  |  |  |   |
| 14   |               |   |                                   |     |   |   |   |   |   |   |   | H | H |   |   |   |   |   |   |   |   |   |  |  |  |  |  |  |  |   |   |   |  |  |  |  |  |  |   |  |   |  |  |  |  |  |  |   |  |  |   |   |  |  |  |  |   |  |  |  |   |  |  |  |  |   |  |  |  |  |   |   |  |  |   |  |  |  |  |  |   |  |  |   |  |  |  |  |  |  |   |   |   |  |  |  |  |  |  |   |  |    |  |  |  |  |  |  |  |   |   |    |  |  |  |  |  |  |  |  |   |    |  |  |  |  |  |  |  |  |  |   |   |    |  |  |  |  |  |  |  |  |  |  |   |    |  |  |  |  |  |  |  |  |  |  |  |   |   |    |  |  |  |  |  |  |  |  |  |  |  |  |  |   |
| 15   |               |   |                                   |     |   |   |   |   |   |   |   |   |   | H |   |   |   |   |   |   |   |   |  |  |  |  |  |  |  |   |   |   |  |  |  |  |  |  |   |  |   |  |  |  |  |  |  |   |  |  |   |   |  |  |  |  |   |  |  |  |   |  |  |  |  |   |  |  |  |  |   |   |  |  |   |  |  |  |  |  |   |  |  |   |  |  |  |  |  |  |   |   |   |  |  |  |  |  |  |   |  |    |  |  |  |  |  |  |  |   |   |    |  |  |  |  |  |  |  |  |   |    |  |  |  |  |  |  |  |  |  |   |   |    |  |  |  |  |  |  |  |  |  |  |   |    |  |  |  |  |  |  |  |  |  |  |  |   |   |    |  |  |  |  |  |  |  |  |  |  |  |  |  |   |
| *Blanks are all floating terminals<br>H: P-channel comes on.   |               |   |                                   |     |   |   |   |   |   |   |   |   |   |   |   |   |   |   |   |   |   |   |  |  |  |  |  |  |  |   |   |   |  |  |  |  |  |  |   |  |   |  |  |  |  |  |  |   |  |  |   |   |  |  |  |  |   |  |  |  |   |  |  |  |  |   |  |  |  |  |   |   |  |  |   |  |  |  |  |  |   |  |  |   |  |  |  |  |  |  |   |   |   |  |  |  |  |  |  |   |  |    |  |  |  |  |  |  |  |   |   |    |  |  |  |  |  |  |  |  |   |    |  |  |  |  |  |  |  |  |  |   |   |    |  |  |  |  |  |  |  |  |  |  |   |    |  |  |  |  |  |  |  |  |  |  |  |   |   |    |  |  |  |  |  |  |  |  |  |  |  |  |  |   |

**S. P<sub>3-2</sub>: Strobe signal Out**  
When it supply serial date for volume, it supply.

**T. P<sub>1-3</sub>: Method of volume control select**  

- This terminal input signal in order to select method of Up/Down or serial.
- Method of Up/Down Out..... "H" voltage level
- Method of serial ..... "L" voltage level

**U. P<sub>6-3</sub>: Compu. Sel./Set Select Out**  
This terminal is I/O terminal that it is compu.sel. input and set-select out for tuner.

| Pin No. | Terminal Name   | Description   |
|---------|-----------------|---|
| 9,14    | SIG1,2          | Analog switch input terminal: Signals to be attenuated by the IC are inputted.  |
| 10,13   | COM 1, 2        | Analog switch output terminal: Signals attenuated by the IC are outputted.  |
| 11      | V <sub>M</sub>  | Bias voltage terminal: When a signal bias voltage is required, this terminal voltage (1/2 V <sub>DD</sub> ) is used.  |
| 12      | V <sub>SS</sub> | GND terminal  |
| 15      | CE              | When this terminal voltage is set to GND level, the IC is set to back-up mode and the output is in a floating state. Power consumption is reduced.  |
| 16      | INIT            | Initial terminal: If at "L", step is 9 and terminal IND5 changes to "H".  |
| 17      | DN              | When this terminal voltage is decreased, the step decreases and attenuation constant increases. Further, if kept at "L", attenuation constant increases continuously; however, the instant the terminal voltage is set to "H", the attenuation constant is held at that step. |
| 18      | UP              | This terminal voltage functions reversely of that at DN terminal. When UP and DN are both at "L", UP terminal has a priority. Further, terminal voltages at UP and DN stop changing in response to MSB or LSB.  |
| 19      | CR              | This terminal is used to determine step speed. Resistors and capacitors are connected (open drain).   |
| 20      | V <sub>DD</sub> | Positive power supply terminal  |

## 6. ADJUSTMENT <A-E750> (See Top View on page 10)

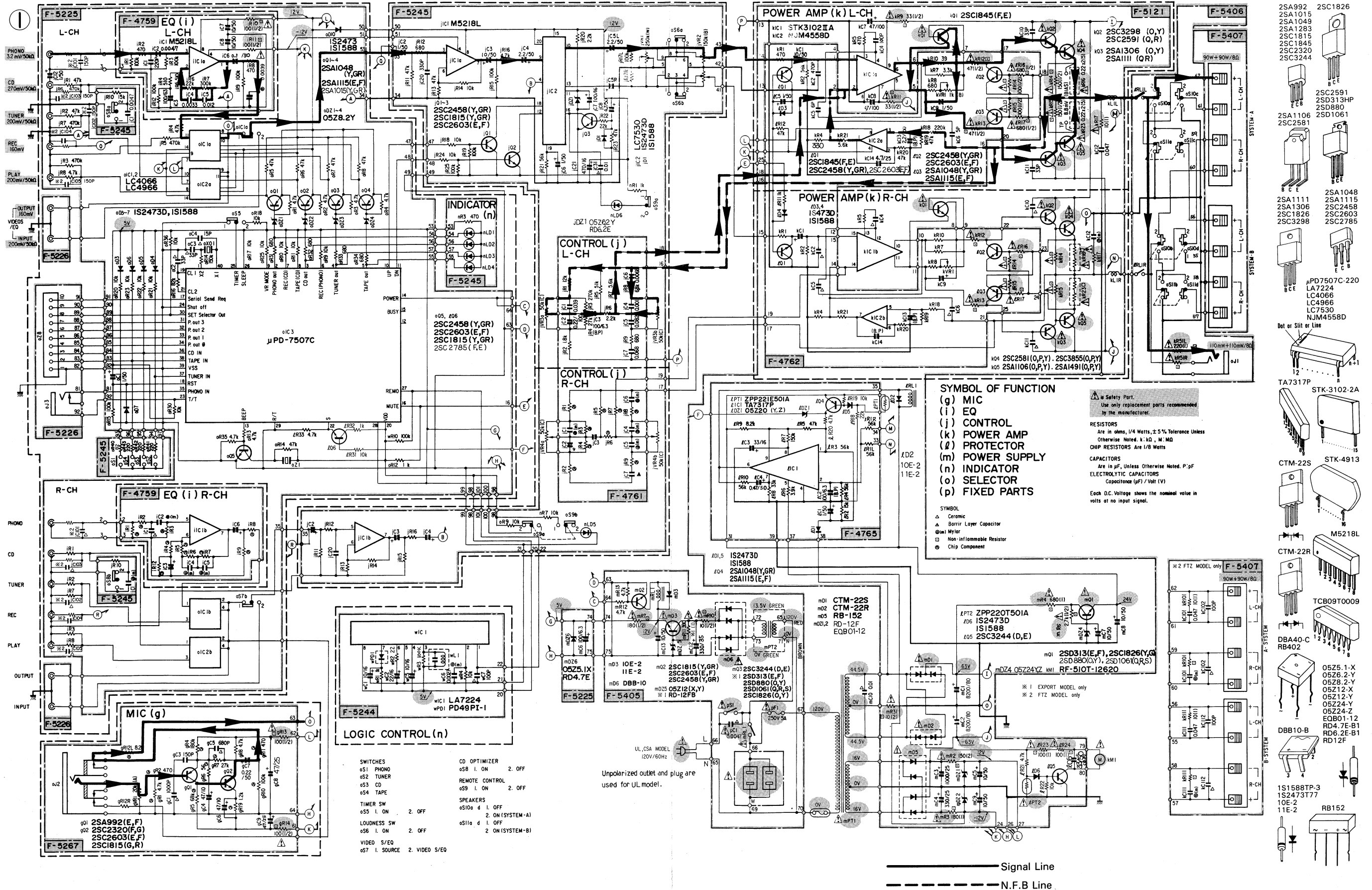
- Note:**
- Master Volume .... Minimum
  - Room Temperature .... 18°C ~ 28°C (65°F ~ 83°F)
  - For this adjustment, run the unit for more than 5 minutes after the power is switched ON.

- Before turning ON power switch, set kVR1 on F-4762 to center position.

| STEP | SUBJECT                | MEASURE OUTPUT   | ADJUST              | ADJUST FOR     | REMARKS  |
|------|------------------------|--|---------------------|----------------|--|
| 1.   | Bias Current Adj. L-CH | Test Terminal (TP) <Between emitters of power transistors (kQ4L & kQ5L)> | kVR1, L-ch (F-4762) | DC 7.5mV ± 1mV | •This bias value is converted from current value into voltage by ohms law. |
| 2.   | Bias Current Adj. R-CH | Test Terminal (TP) <Between emitters of power transistors (kQ4R & kQ5R)> | kVR1, R-ch (F-4762) | DC 7.5mV ± 1mV |  |

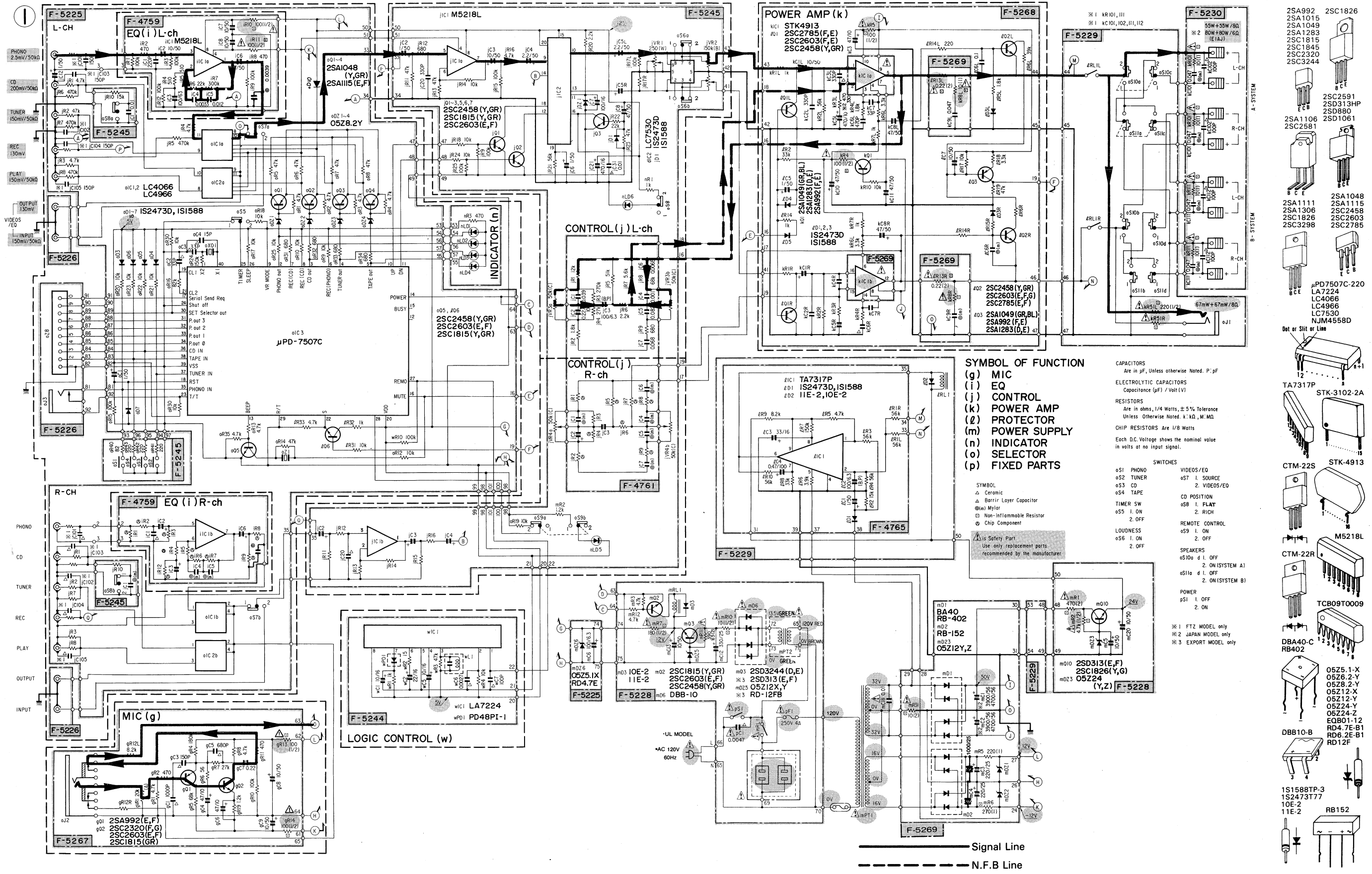
# 7. SCHEMATIC DIAGRAM 7-1. A-E750

Design and specifications subject to change without notice for improvement.  
La présentation et les spécifications sont susceptibles d'être modifiées sans préavis par suites d'améliorations éventuelles.  
Änderungen, die dem technischen Fortschritt dienen, bleiben vorbehalten.



7-2. A-E550

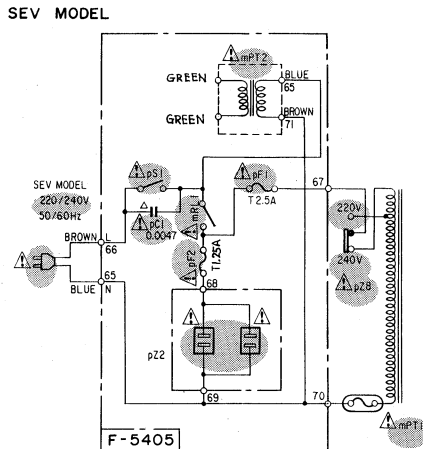
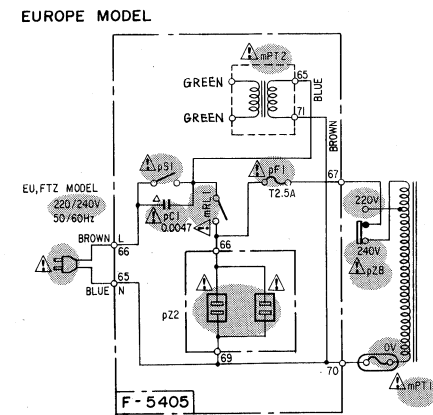
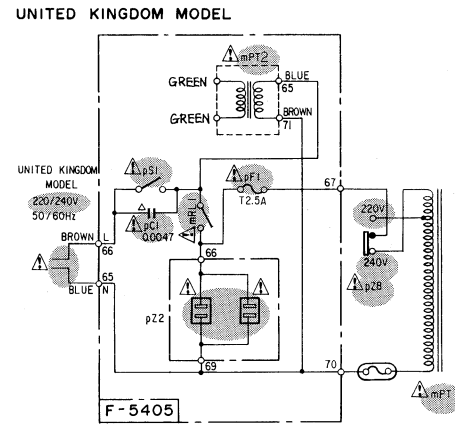
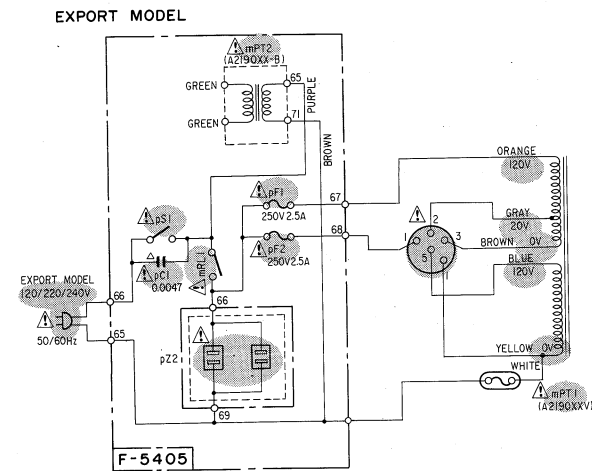
\* Design and specifications subject to change without notice for improvement.  
 \* La présentation et les spécifications sont susceptibles d'être modifiées sans préavis par suites d'améliorations éventuelles.  
 \* Änderungen, die dem technischen Fortschritt dienen, bleiben vorbehalten.



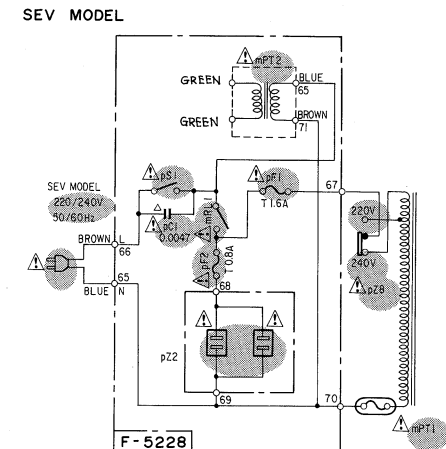
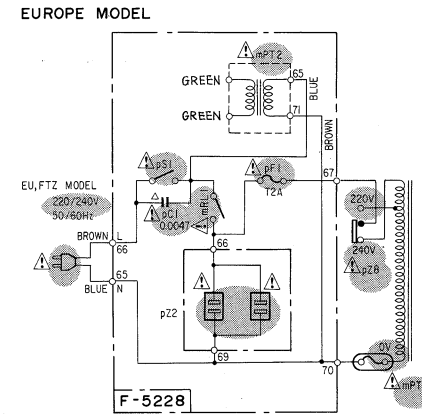
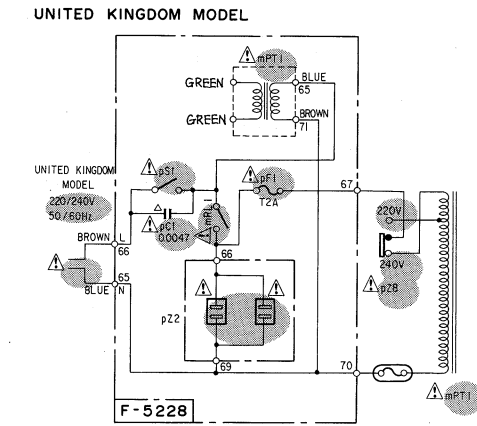
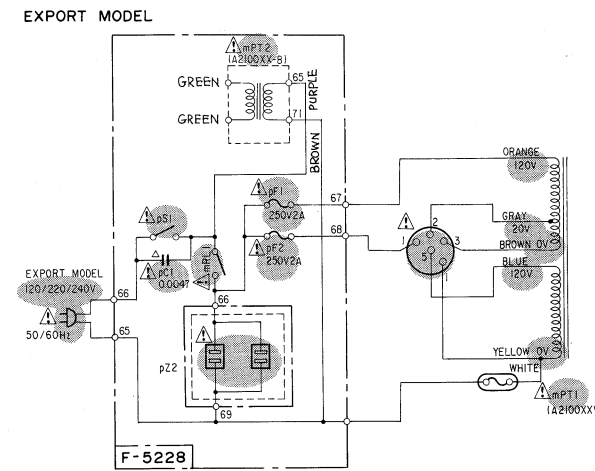
- |         |               |
|---------|---------------|
| 2SA992  | 2SC1826       |
| 2SA1015 | 2SA1049       |
| 2SA1283 | 2SA1283 (E1A) |
| 2SC1815 | 2SC1815       |
| 2SC2320 | 2SC2458       |
| 2SC3244 | 2SC3244       |
| 2SC2591 | 2SD313P       |
| 2SD880  | 2SD1061       |
| 2SA1106 | 2SA1048       |
| 2SC2581 | 2SA1115       |
|         | 2SA1306       |
|         | 2SC2458       |
|         | 2SC1826       |
|         | 2SC2603       |
|         | 2SC3298       |
|         | 2SC2785       |
|         | μPD7507C-220  |
|         | LA7224        |
|         | LC4066        |
|         | LC4966        |
|         | LC7530        |
|         | NJM4558D      |
|         | TA7317P       |
|         | STK-3102-2A   |
|         | CTM-22S       |
|         | STK-4913      |
|         | CTM-22R       |
|         | M5218L        |
|         | TCB09T0009    |
|         | DBA40-C       |
|         | RB402         |
|         | 05Z5.1-X      |
|         | 05Z6.2-Y      |
|         | 05Z8.2-Y      |
|         | 05Z12-X       |
|         | 05Z12-Y       |
|         | 05Z24-Y       |
|         | 05Z24-Z       |
|         | E5B01-12      |
|         | RD4.7E-B1     |
|         | RD6.2E-B1     |
|         | RD12F         |
|         | 1S1588TP-3    |
|         | 1S2473177     |
|         | 10E-2         |
|         | 11E-2         |
|         | RB152         |

1  
2  
3  
4  
5

7-3. A-E750 Power Supply Section <XX•EU•UK•SEV>

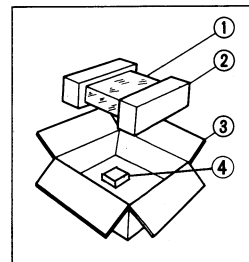


7-4. A-E550 Power Supply Section <XX•EU•UK•SEV>



8. PACKING LIST

| Parts No. | Stock No. | Description                    |
|-----------|-----------|--------------------------------|
| 1         | 47859900  | Vinyl Cover                    |
| 2         | 27056600  | Styrofoam Packing              |
| 3         | 27172000  | Carton Case (A-E750)           |
|           | 27164000  | Carton Case (A-E550)           |
| 4         | 27203800  | Sub Styrofoam Packing (A-E750) |



9. ACCESSORY LIST

| Stock No. | Description                     |
|-----------|---------------------------------|
| 48416900  | ST Connection Cable             |
|           | Dry Battery (SUM-3X2)           |
| 46996300  | Operating Instruction (*E•F•S)  |
| 46996400  | Operating Instruction (*G•I•Sw) |
|           | Remote Control Unit (RS-B1)     |
| 46998600  | Operating Sheet                 |

\* Note:  
**E•F•S:** English•French and Spanish Version  
**G•I•Sw:** German•Italian and Swedish Version

SANSUI ELECTRIC CO., LTD.:  
 14-1, Izumi 2-chome, Suginami-ku, Tokyo 168 Japan  
 PHONE: (03) 324-8891/TELEX: 232-2076 (International Division)  
 1250 Valley Brook Ave. Lyndhurst, N.J. 07071 U.S.A.  
 17150 South Margay Ave. Carson, California 90746 U.S.A.  
 3036 Koapaka Street, Honolulu, Hawaii 96819 U.S.A.  
 Unit 10A, Lyon Industrial Estate, Rockware Avenue, Greenford, Middx UB6, OAA, England  
 Pau Ehrich Strasse 8, 6074 Rödermark 2, West Germany



SANSUI ELECTRONICS CORPORATION:  
 SANSUI ELECTRONICS (U.K.) LTD.:  
 SANSUI ELECTRONICS G.M.B.H.: