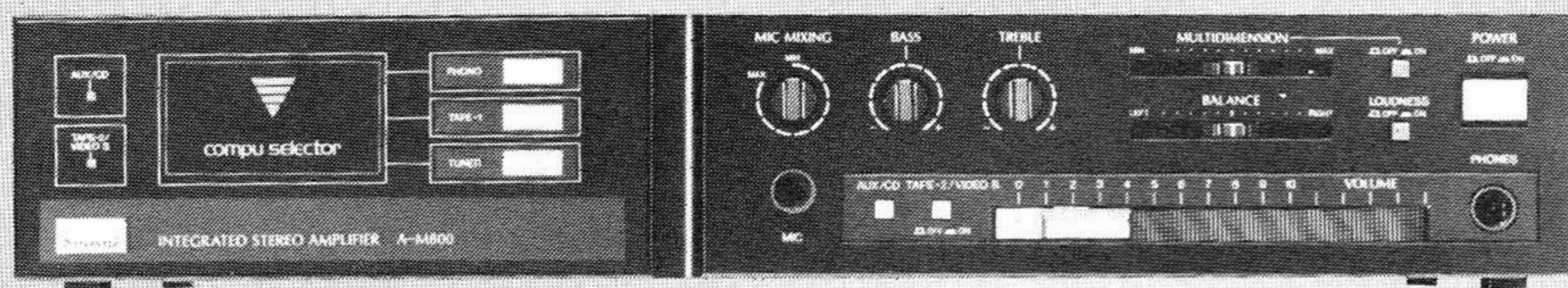


SERVICE MANUAL

INTEGRATED STEREO AMPLIFIER

SANSUI A-M800



CAUTION

1. Parts identified by the \triangle symbol on the schematic diagram and the parts list are critical for safety. Use only replacement parts that have critical characteristics recommended by the manufacturer.
2. Make leakage-current or resistance measurements to determine that exposed parts are acceptably insulated from the supply circuit before returning the appliance to the customer.

•SPECIFICATIONS

Power output

Min. RMS, both channels driven, from 40 to 20,000 Hz with no more than 0.5% total harmonic distortion.

25 watts per channel into 8 ohms.

Load impedance..... 8 ohms

Total harmonic distortion

..... less than 0.5% at or below rated min. RMS power output

Frequency response (at 1 watt)

..... 10 to 50,000 Hz/+0.5 dB,

-2 dB

RIAA curve deviation (PHONO, 30 Hz to 20 kHz)

..... +0.5 dB, -0.5 dB

Input sensitivity and impedance

(1 kHz, for rated power output)

PHONO..... 2.5 mV/47 kilohms

(Max. input capability: 130 mV at 1 kHz, less than 0.5% total harmonic distortion)

TUNER, TAPE PLAY (1, 2), AUX/CD

..... 150 mV/47 kilohms

MIC..... 0.5 mV/10 kilohms

Output level (1 kHz)

TAPE REC..... 130 mV into 47 kilohms

Signal to noise ratio (short-circuit, A-network)

PHONO..... 72 dB

TUNER, TAPE PLAY (1, 2), AUX/CD

..... 90 dB

Power requirements

Power voltage..... 120/220/240 V (50/60 Hz)

For U.S.A. & Canada

..... 120 V (60 Hz)

Power consumption.... 105 watts 120 VA Rated

150 watts Maximum

Dimensions..... 345 mm (13-5/8") W

66 mm (2-5/8") H

235 mm (9-5/16") D

Weight..... 3.5 kg (7.7 lbs.) net

4.0 kg (8.8 lbs.) packed

* Design and specifications subject to changes without notice for improvements.

* Due to local laws and regulations, this unit sold in some areas are not equipped with variable voltage selectors

Sansui

SANSUI ELECTRIC CO., LTD.

CAUTION

1. The symbols, UL, CSA, SA, BS, UK, EU, AS and XX (EXPORT) on the parts list and the schematic diagram mean followings respectively.
 - UL..... Manufactured for U.S.A market.
(Underwriters Laboratories approved model.)
 - CSA Manufactured for Canadian market.
 - SA..... Manufactured for South African market.
 - BS, UK Manufactured for United Kingdom market.
 - EU Manufactured for European market.
 - AS..... Manufactured for Australian market.
 - XX (EXPORT) Standard Version.
 - NON MARK Common Parts.

2. Some printed circuit boards are not supplied as the assembled. To separate these in this service manual, the stock No's are not indicated at the ends of the board names. However, the individual parts on the circuit boards are provided by orders.

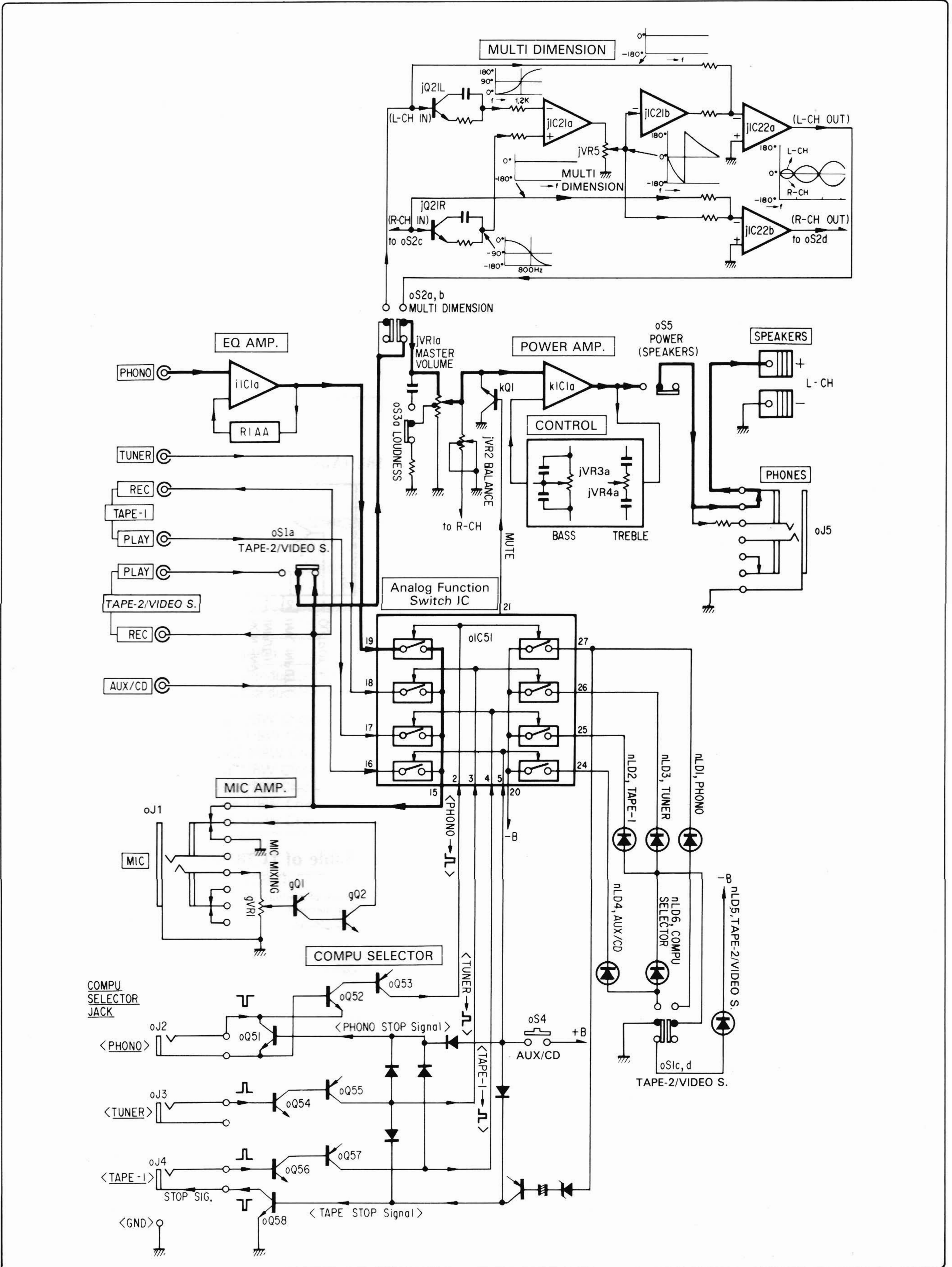
3. Since some of capacitors and resistors are omitted from parts lists in this service manual, refer to the Common Parts List for capacitors & resistors, which was issued on February 1983.

4. Abbreviations in this service manual are as follows.

•Abbreviations List

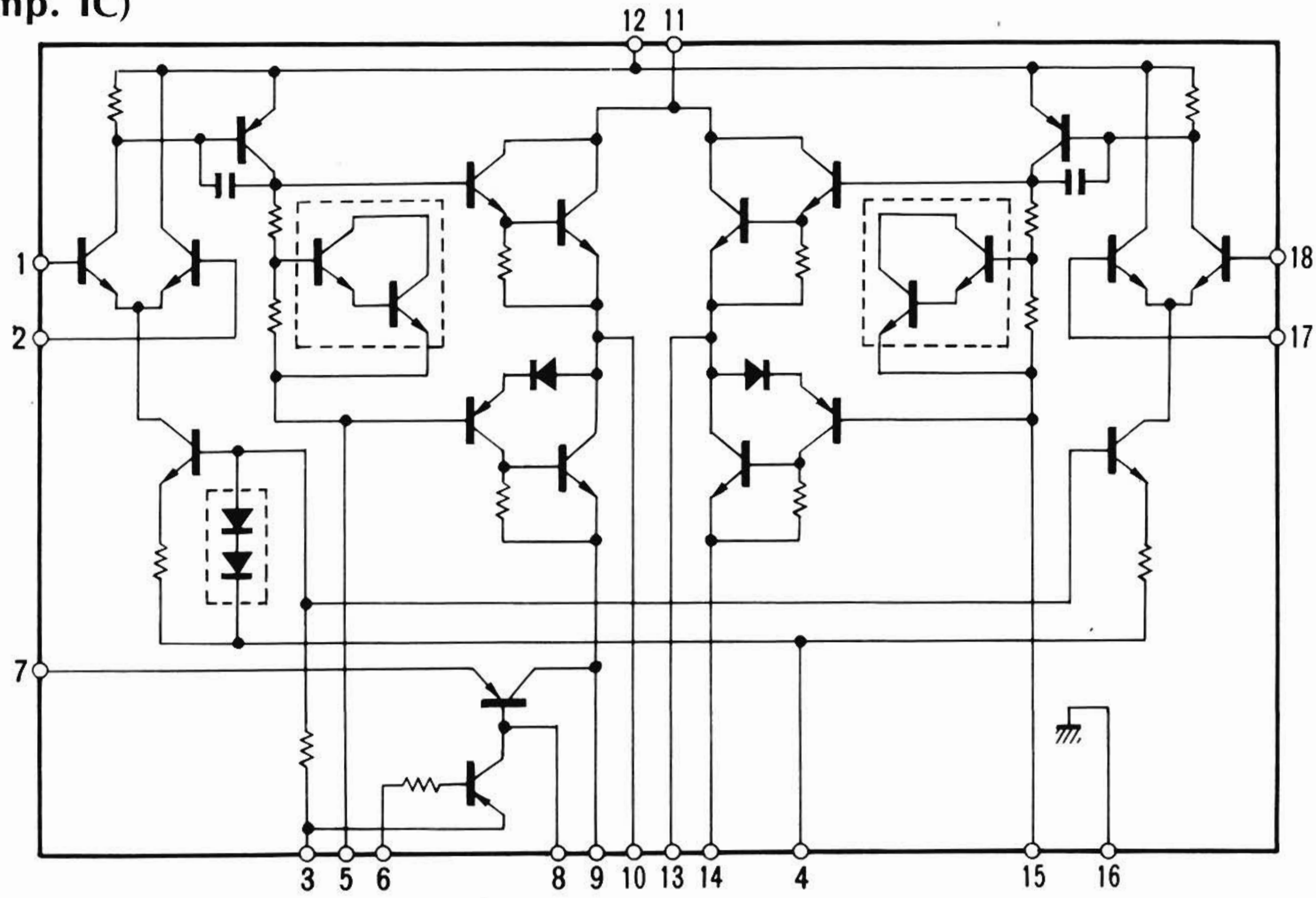
C.R.	: Carbon Resistor	E.B.L.	: Low Leak Bi-Polar Electrolytic Capacitor
S.R.	: Solid Resistor	Ta.C.	: Tantalum Capacitor
Ce.R.	: Cement Resistor	F.C.	: Film Capacitor
M.R.	: Metal Film Resistor	M.P.	: Metalized Paper Capacitor
F.R.	: Fusing Resistor	P.C.	: Polystyrene Capacitor
N.I.R.	: Non-Inflammable Resistor	G.C.	: Gimmic Capacitor
A.R.	: Array Resistor	A.C.	: Array Capacitor
C.C.	: Ceramic Capacitor	V.R.	: Variable Resistor
C.T.	: Ceramic Capacitor, Temperature Compensation	S.V.R.	: Semi Variable Resistor
E.C.	: Electrolytic Capacitor	SW.	: Switch
E.L.	: Low Leak Electrolytic Capacitor	Chip R.	: Chip Resistor
E.B.	: Bi-Polar Electrolytic Capacitor	Chip C.	: Chip Capacitor

1. BLOCK DIAGRAM

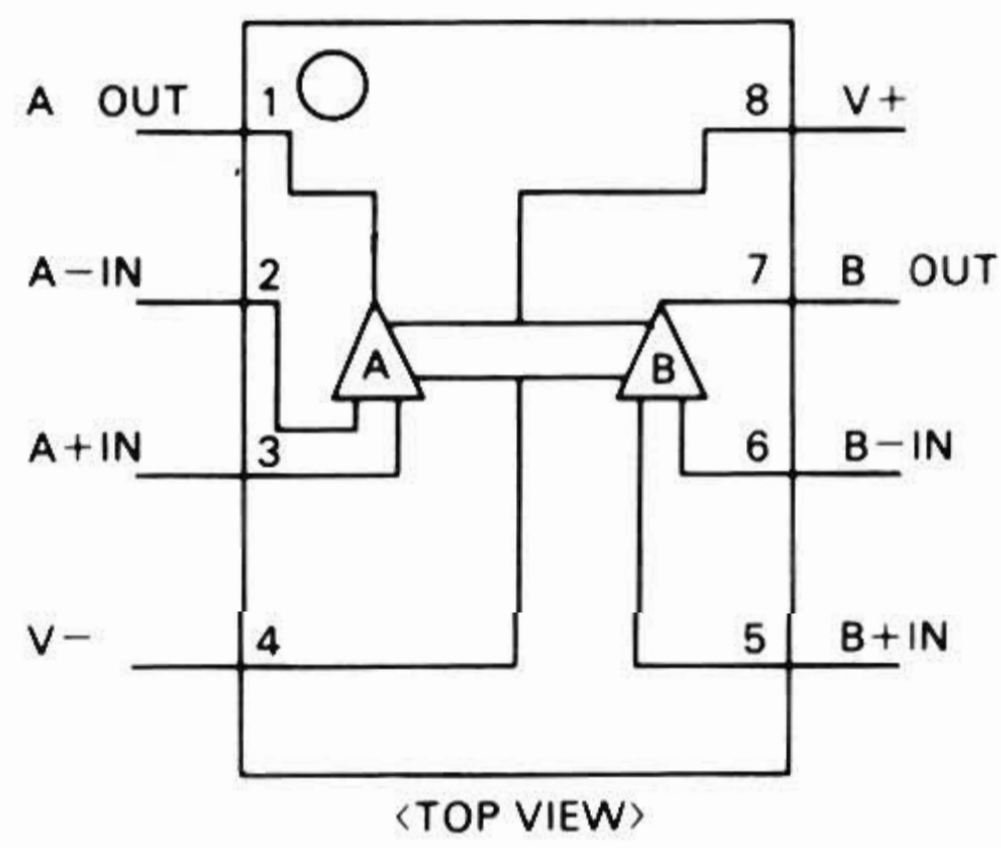


2. INTERIOR BLOCK DIAGRAM OF IC

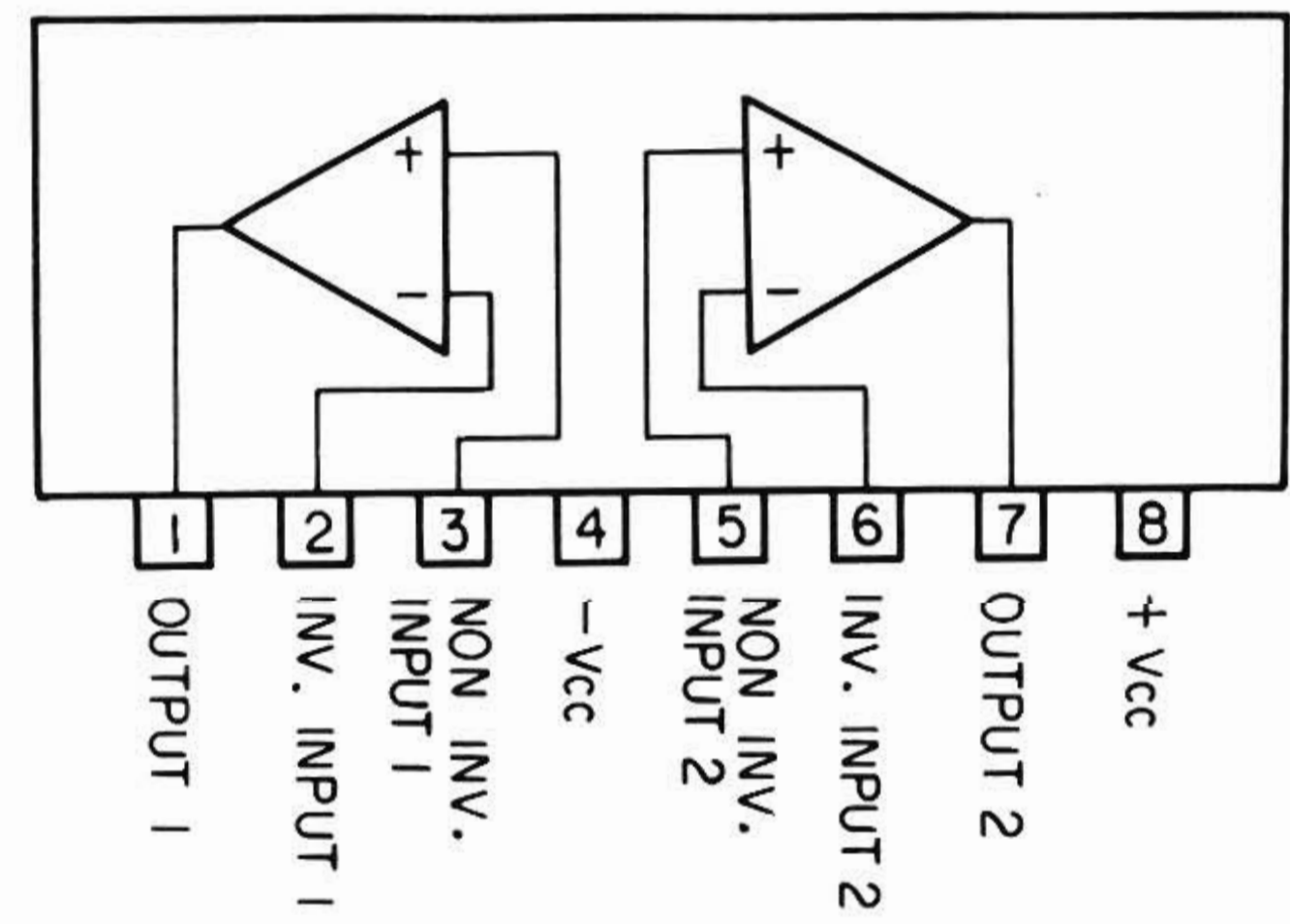
•STK4141II (Power Amp. IC)



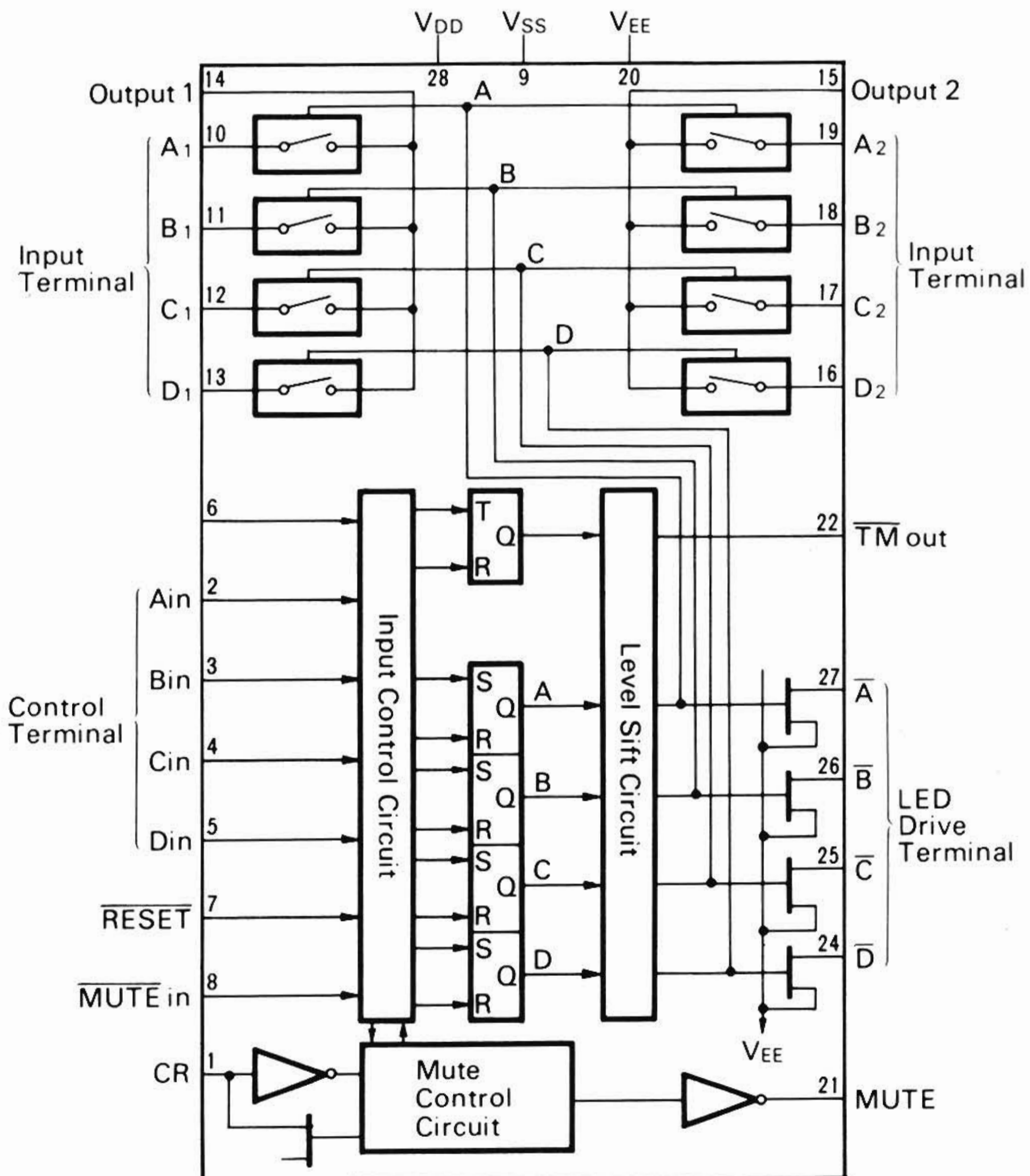
•NJM4558D/M5218P (OP Amp. IC)



•M5218L (Audio Pre Amp. IC)



•LC7815H/LC7816 (Analog Function Switch IC)



•Output Table of LC7815H

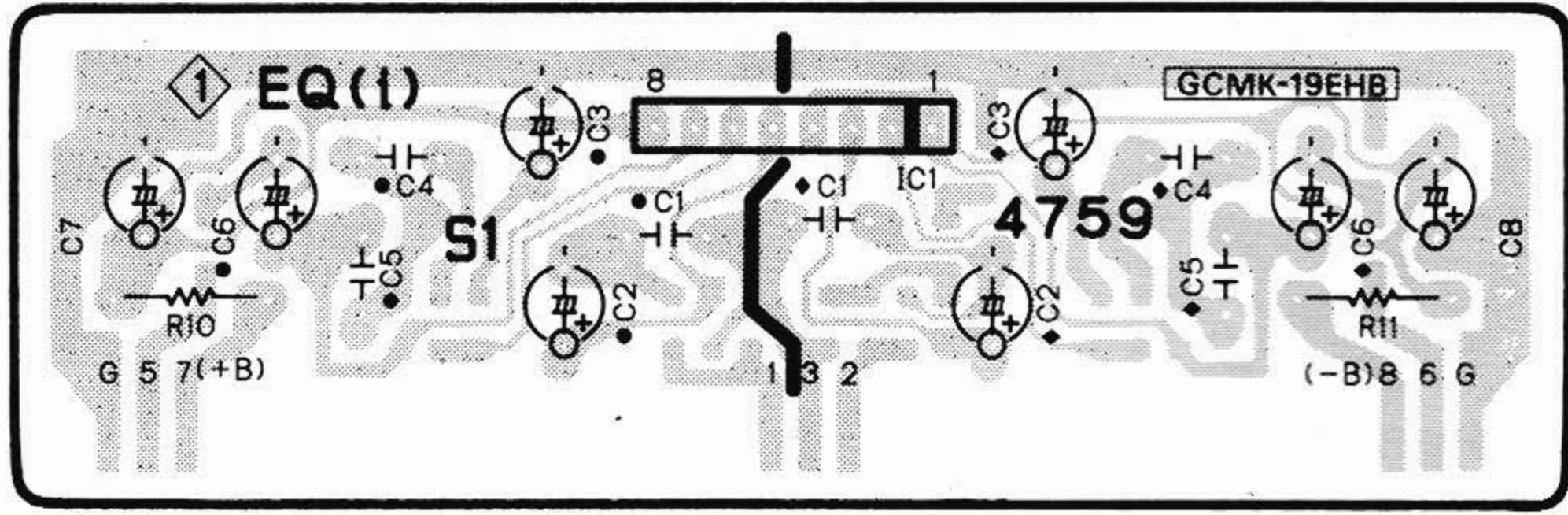
Condition of control input terminals Port (Pin No.)				Connected input terminal to output 1 and 2 terminals		Connected terminal to LED indicator
Ain (2)	Bin (3)	Cin (4)	Din (5)	PORT (Pin No.)	PORT (Pin No.)	PORT (Pin No.)
H	*	*	*	A1 (10)	A2 (19)	A (27)
L	H	*	*	B1 (11)	B2 (18)	B (28)
L	L	H	*	C1 (12)	C2 (17)	C (25)
L	L	L	H	D1 (13)	D2 (16)	D (24)

H: H level L: L level *: Don't care

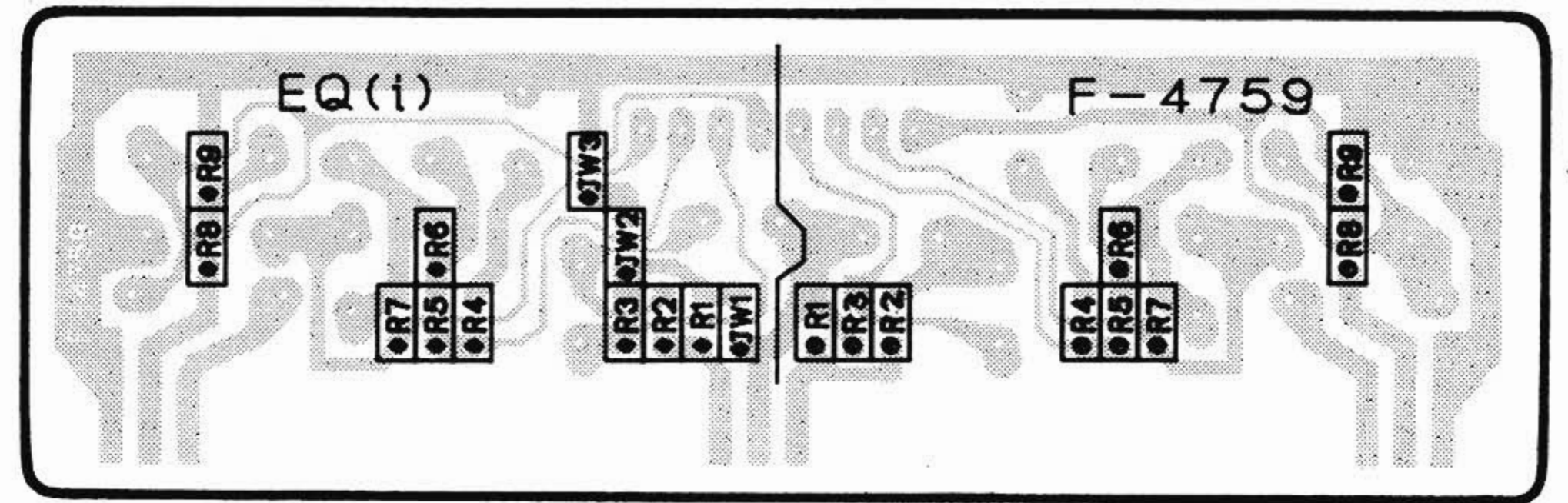
3. PARTS LOCATION & PARTS LIST

3-1. F-4759 Equalizer Amp. Board (Stock No. 00852601)

Component Side



Pattern Side < Chip Parts >



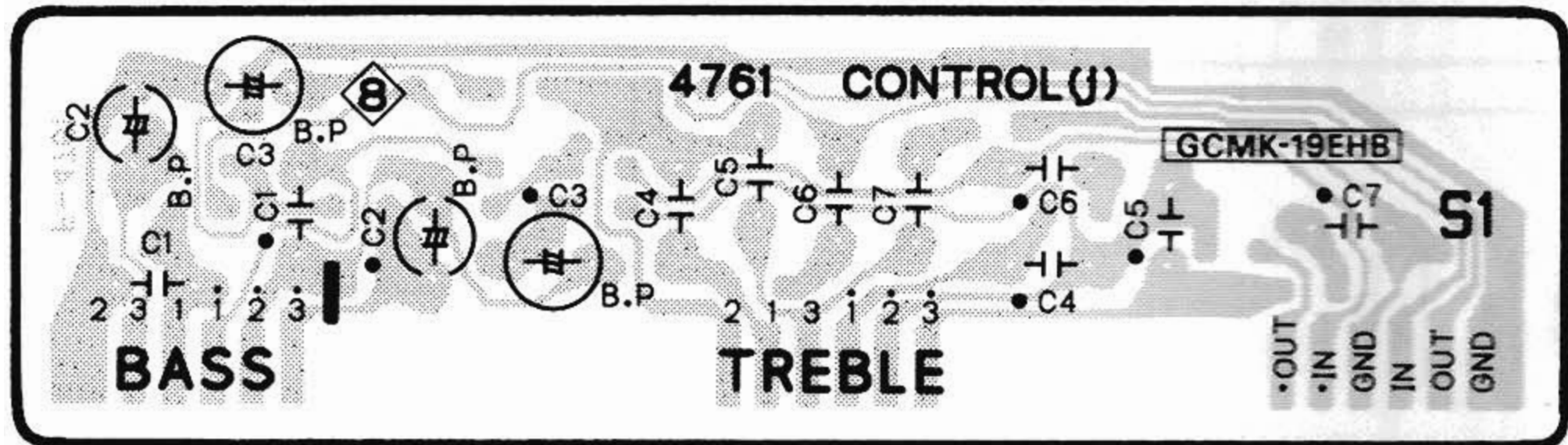
Parts List

Parts No.	Stock No.	Description
•IC		
iIC1	46078900	M5218L
iJW1	46741100	Cross Conductor (Chip)
iJW2	46741100	Cross Conductor (Chip)
iJW3	46741100	Cross Conductor (Chip)
iR1	46752400	100kΩ 1/8W Chip R.
iR2	46746800	470Ω 1/8W Chip R.
iR3	46752400	100kΩ 1/8W Chip R.

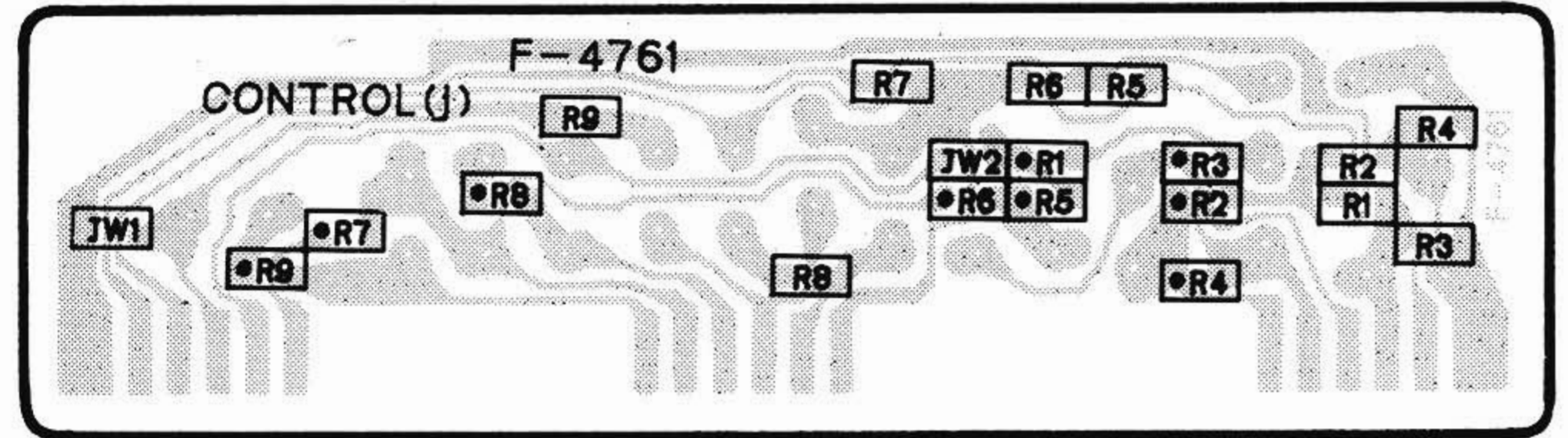
Parts No.	Stock No.	Description
iR4	46746900	510Ω 1/8W Chip R.
iR5	46746900	510Ω 1/8W Chip R.
iR6	46750800	22kΩ 1/8W Chip R.
iR7	46753500	300kΩ 1/8W Chip R.
iR8	46746800	470Ω 1/8W Chip R.
iR9	46752400	100kΩ 1/8W Chip R.
iC4	46282400	3300pF 50V F.C.
iC5	46283000	0.012μF 50V F.C.

3-2. F-4761 Tone Control Board

Component Side



Pattern Side < Chip Parts >



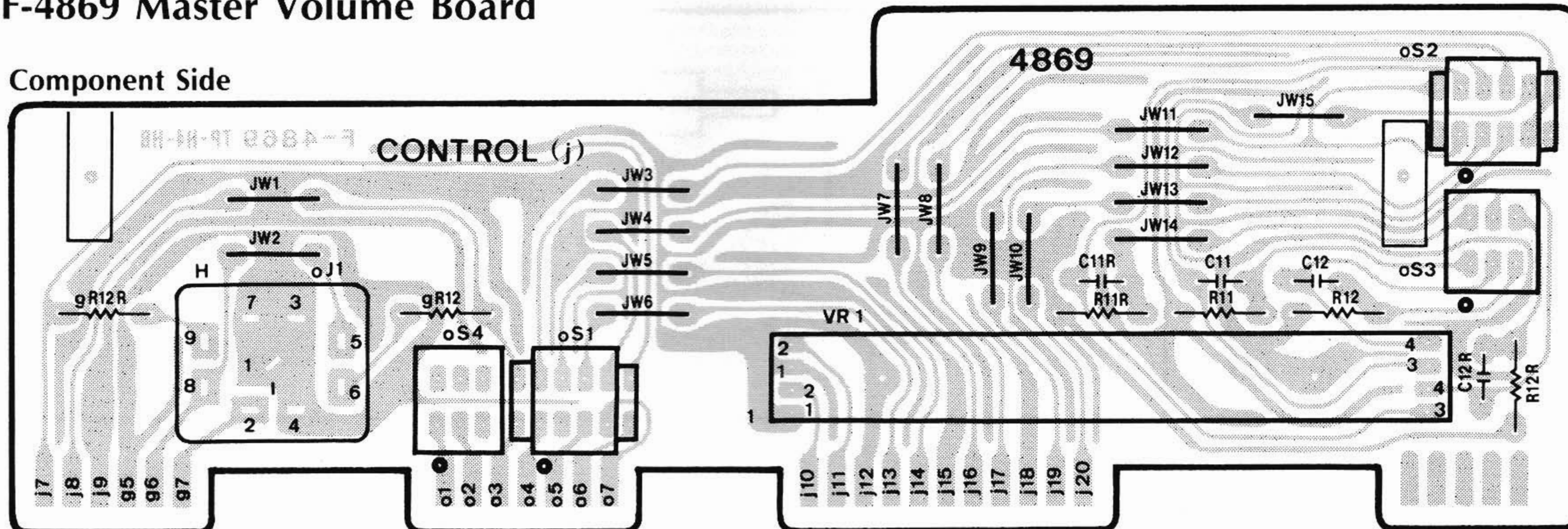
Parts List

Parts No.	Stock No.	Description
jJW1	46741100	Cross Conductor (Chip)
jJW2	46741100	Cross Conductor (Chip)
jR1	46750200	12kΩ 1/8W Chip R.
jR2	46748200	1.8kΩ 1/8W Chip R.
jR3	46753400	270kΩ 1/8W Chip R.
jR4	46751000	27kΩ 1/8W Chip R.
jR5	46751700	51kΩ 1/8W Chip R.
jR6	46748400	2.2kΩ 1/8W Chip R.
jR7	46749400	5.6kΩ 1/8W Chip R.

Parts No.	Stock No.	Description
jR8	46749600	6.8kΩ 1/8W Chip R.
jR9	46747200	680Ω 1/8W Chip R.
jC1	46283600	0.039μF 50V F.C.
jC2	46937000	0.22μF 50V E.B.
jC3	48101800	47μF 10V E.B.
jC4	46281800	1000pF 50V F.C.
jC5	46282800	8200pF 50V F.C.
jC6	46282700	6800pF 50V F.C.

3-3. F-4869 Master Volume Board

Component Side



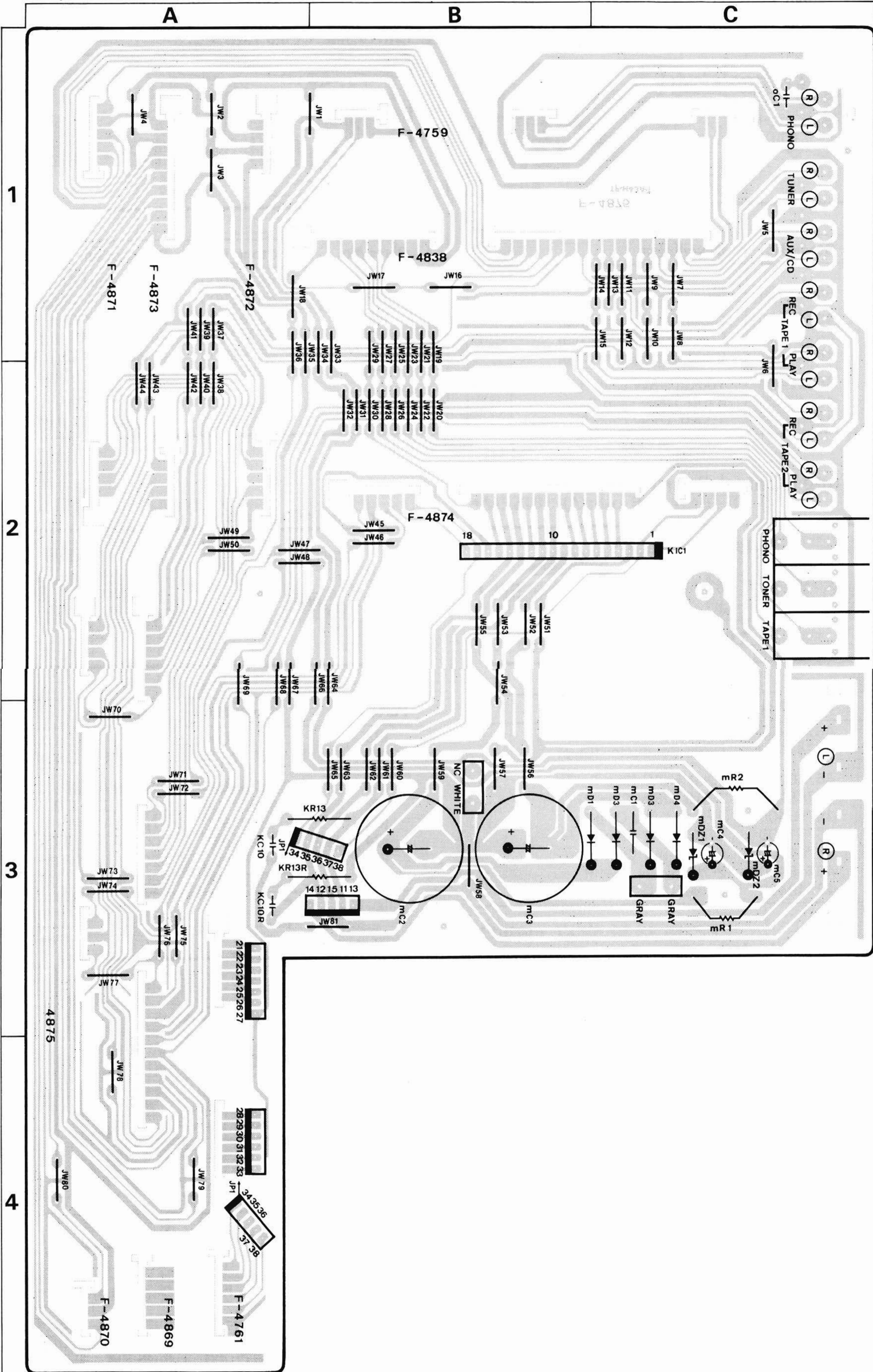
Parts List

Parts No.	Stock No.	Description
jVR1	48162000	150kΩ (B) V.R., VOLUME
oS1	46556300	Push SW., TAPE-2/VIDEO S.

Parts No.	Stock No.	Description
oS2	46556300	Push SW., MULTIDIMENSION
oS3	46556400	Push SW., LOUDNESS
oS4	46917000	Push SW., AUX/CD

3-4. F-4875 Power Amp. Board (Stock No. 00853501)

Component Side

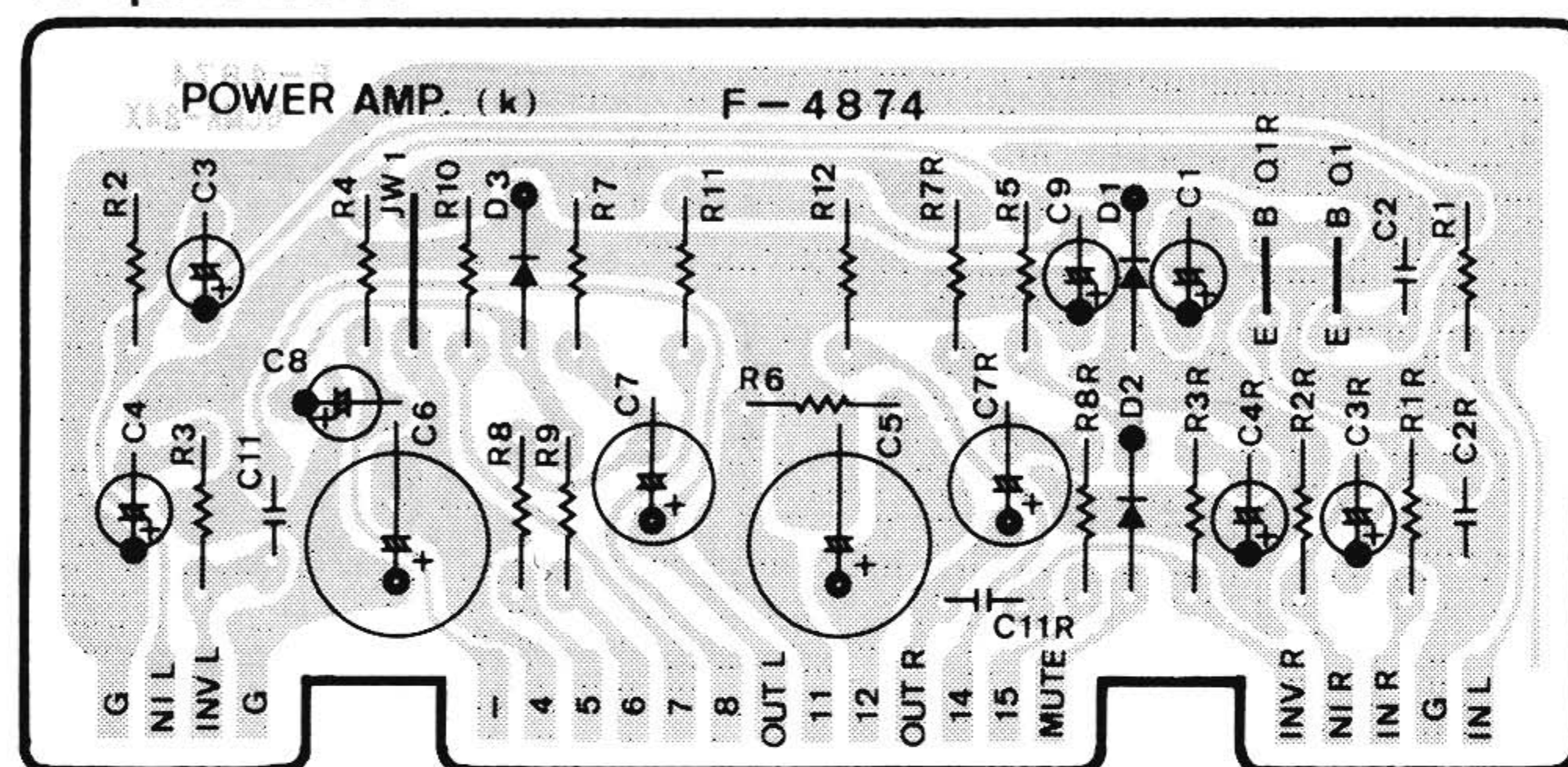


Parts List <F-4875>

Parts No.	Stock No.	Description
•IC		
kIC1	46563100	STK4141-2
kC10	46281700	0.1 μ F 50V F.C.
•Diode		
Δ mD1	03117700	10E-2
Δ mD2	03117700	10E-2
Δ mD3	03117700	10E-2
Δ mD4	03117700	10E-2
•Zener Diode		
mDZ1	46113600	05Z11-Y
	or 46113700	05Z11-Z
	or 46113800	05Z12-X
mDZ2	46113600	05Z11-Y
	or 46113700	05Z11-Z
	or 46113800	05Z12-X
Δ mR1	46625300	680 Ω 2W N.I.R.
Δ mR2	46909900	560 Ω 3W N.I.R.
mC1	08680400	0.01 μ F 500V C.C.
mC2	46190500	3300 μ F 45V E.C.
mC3	46190500	3300 μ F 45V E.C.
•Zener Diode		
oDZ1	46111100	05Z5.1-X
	or 46111300	05Z5.1-X
oJ2	46547200	Mini Jack, COMPU SELECTOR PHONO
oJ3	46547200	Mini Jack, COMPU SELECTOR TUNER
oJ4	46547200	Mini Jack, COMPU SELECTOR TAPE-1
oZ2	46438100	2P Terminal Board, PHONO
oZ3	46363900	6P Terminal Board, TUNER, AUX/CD TAPE-1 REC
oZ4	46546800	6P Terminal Board, TAPE-1 PLAY, TPAE-2/VIDEO S.
oZ5	46549200	4P Terminal Board, SPEAKERS

3-5. F-4874 Muting Board (Stock No. 00853401)

Component Side

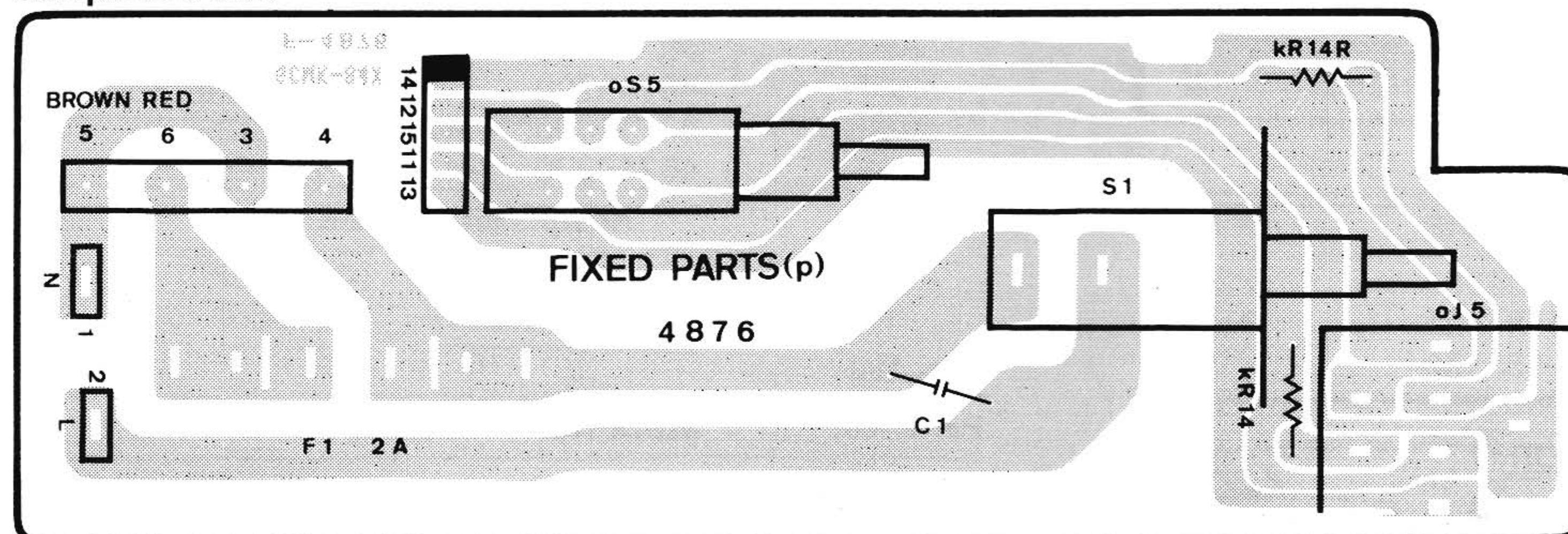


Parts List

Parts No.	Stock No.	Description
•Transistor		
kQ1	46367101	2SC2603
	or 46367301	2SC2458
	or 46391901	2SC2785
	or 48058801	2SC1740S
•Diode		
kD1	03117600	1S2473T77
	or 46086000	1S1588TP-3
kD2	03117600	1S2473T77
	or 46086000	1S1588TP-3
kD3	03117600	1S2473T77
	or 46086000	1S1588TP-E
Δ kR6	46229000	100 Ω 1/2W N.I.R.
Δ kR7	46230600	2.2k Ω 1/2W N.I.R.
Δ kR10	46229000	100 Ω 1/2W N.I.R.
Δ kR11	46230200	1k Ω 1/2W N.I.R.
Δ kR12	46230200	1k Ω 1/2W N.I.R.

3-6. F-4876 Power Switch Board

Component Side

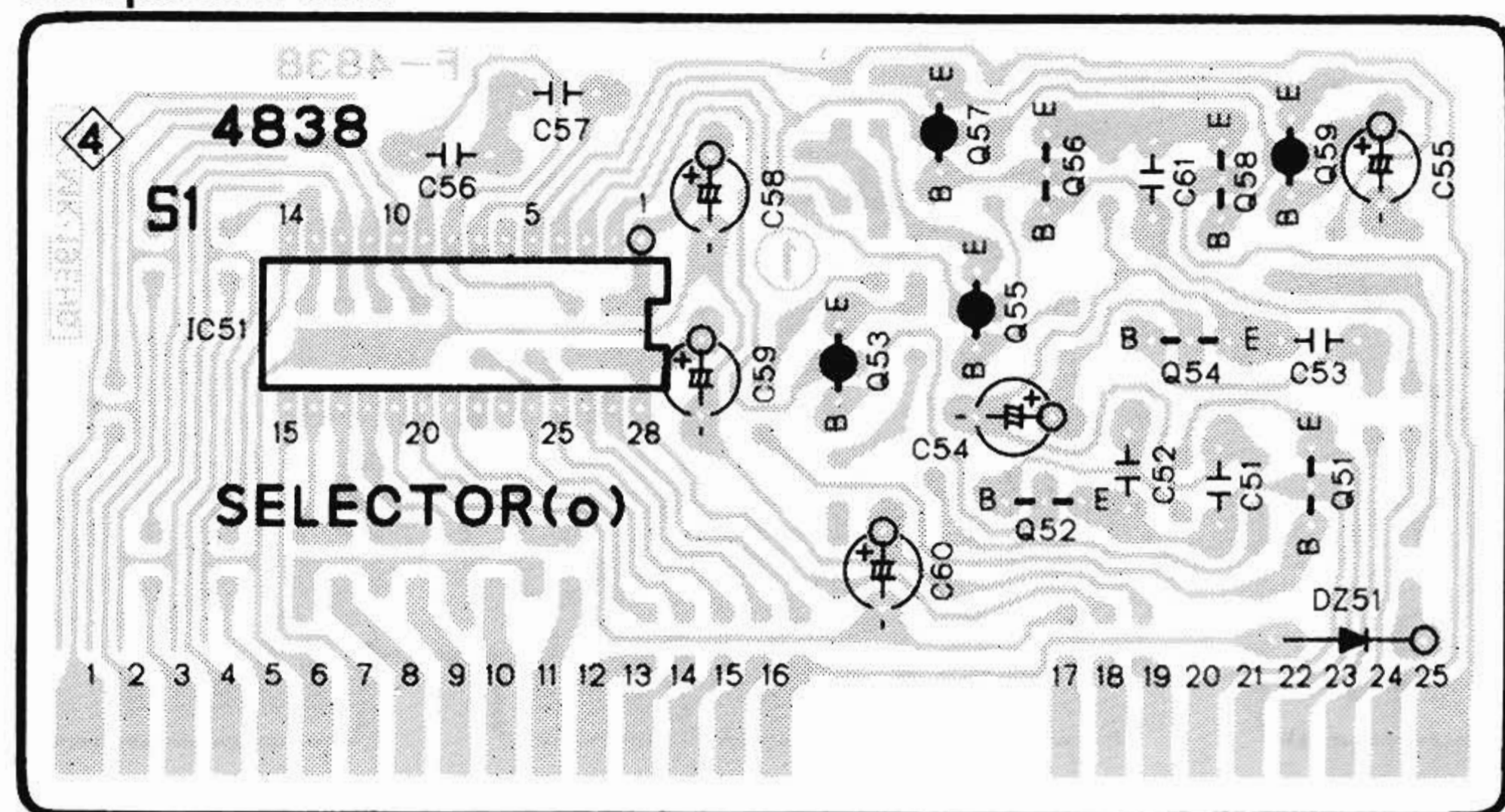


Parts List

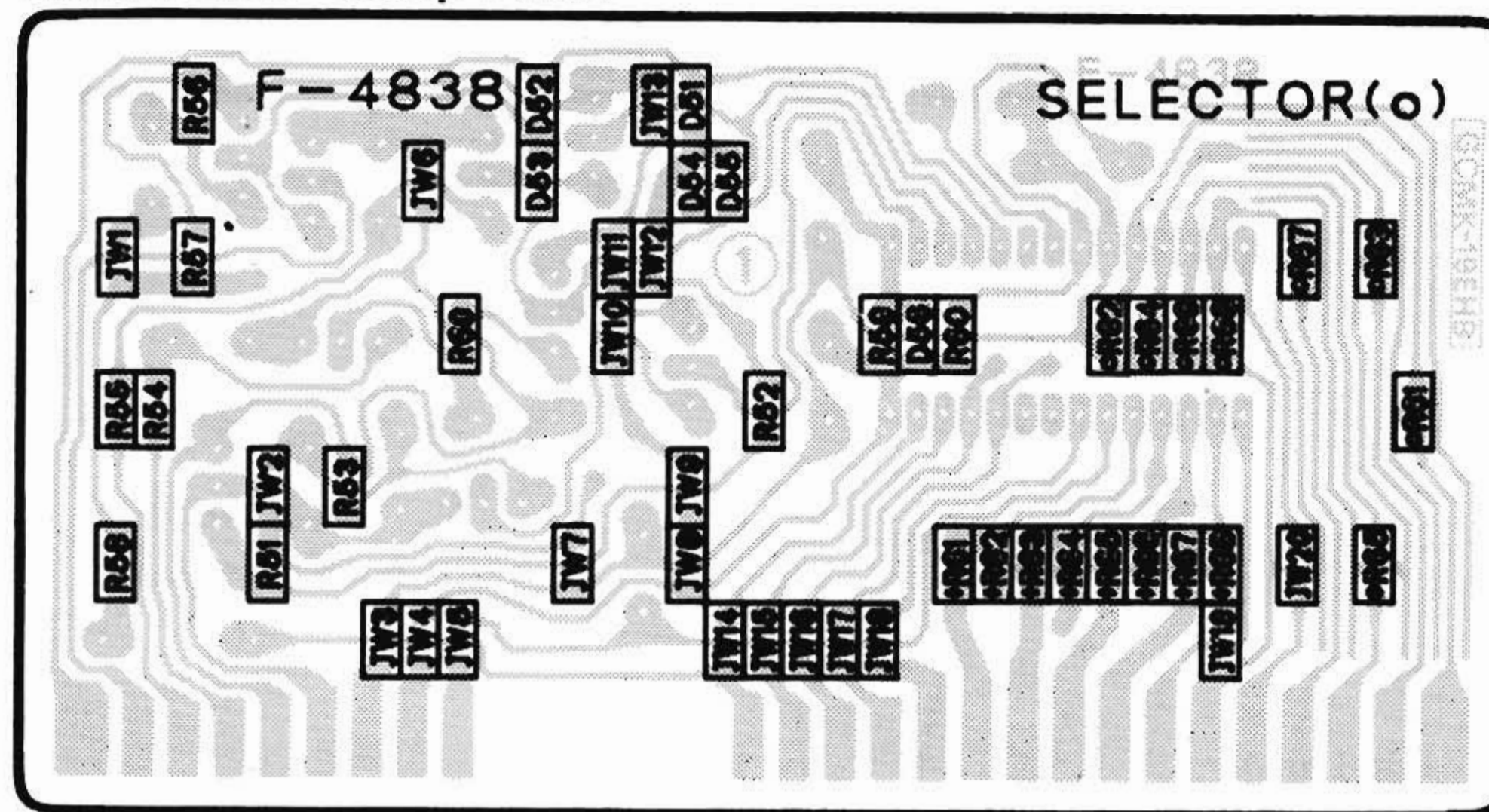
Parts No.	Stock No.	Description	Parts No.	Stock No.	Description
Δ kR14	46229400	220 Ω 1/2W N.I.R.	Δ pF1	07188600	Fuse 2.0A 250V (XX,UL,CSA)
oS5	46414000	Push SW., Mute	Δ	07184700	Fuse 1.0A (EU,BS,AS)
oJ5	24306200	Jack, PHONES	Δ pF2	48271600	Fuse 1.0A (XX)
Δ pC1	46425800	0.01 μ F 400V C.C.	Δ pS1	46364300	Push SW., POWER (XX,UL,EU,BS,AS)
			Δ	48065000	Push SW., POWER (CSA)

3-7. F-4838 Compu Selector Board (Stock No. 00852801)

Component Side



Pattern Side < Chip Parts >



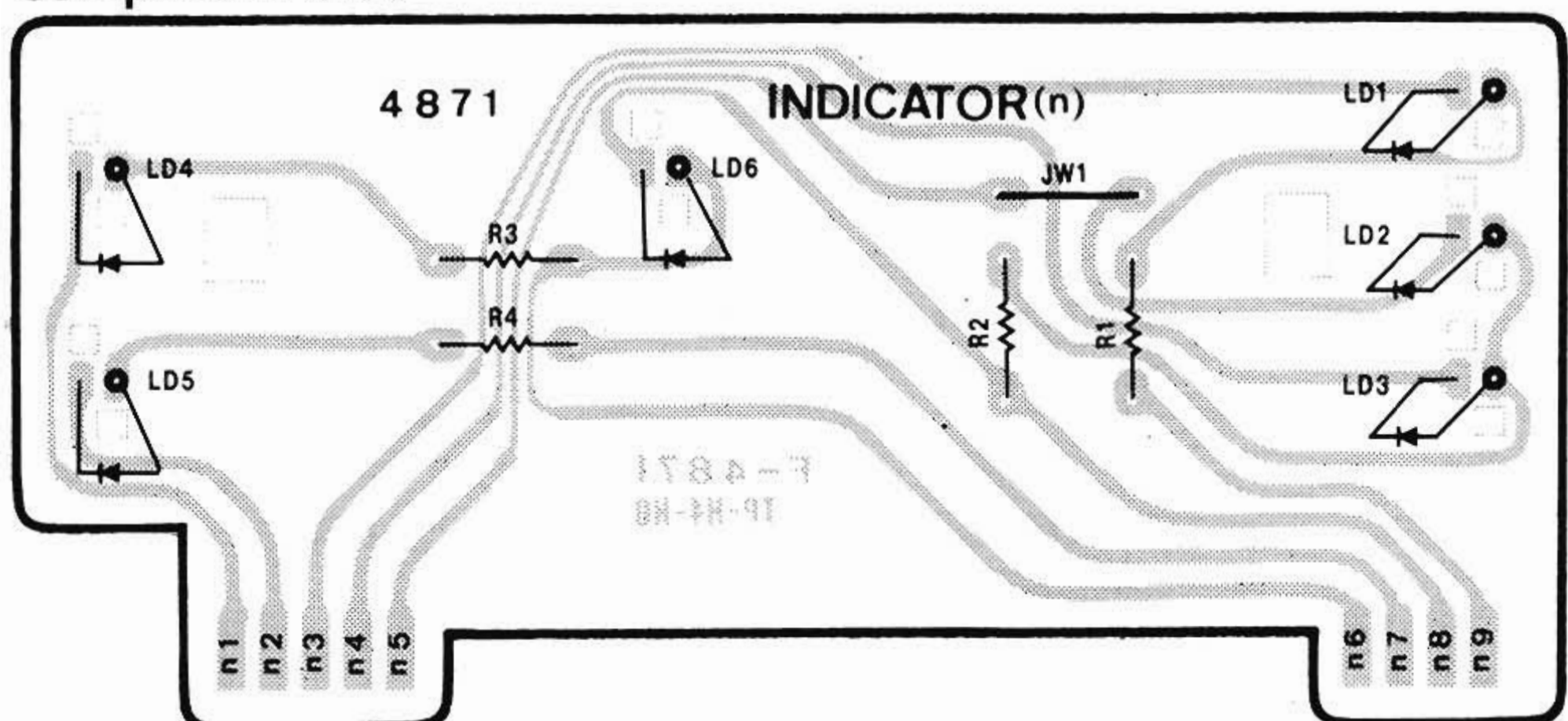
Parts List

Parts No.	Stock No.	Description
•Transistor		
oQ51	46367101	2SC2603
	or 46367301	2SC2458
	or 46391901	2SC2785
	or 48058801	2SC1740S
oQ52	48109800	DTC143ES
oQ53	48109700	DTA143ES
oQ54	48109800	DTC143ES
oQ55	48109700	DTA143ES
oQ56	48109800	DTC143ES
oQ57	48109700	DTA143ES
oQ58	48109800	DTC143ES
oQ59	46367001	2SA1115
	or 46367201	2SA1048
	or 46392001	2SA1175
	or 48058601	2SA933S
•IC		
oIC51	46394800	LC7815H
	or 48180100	LC7816
•Diode		
oD51	46852000	RLS-73 (Chip)
oD52	46852000	RLS-73 (Chip)
oD53	46852000	RLS-73 (Chip)
oD54	46852000	RLS-73 (Chip)
oD55	46852000	RLS-73 (Chip)
oD56	46852000	RLS-73 (Chip)
•Zener Diode		
oDZ51	46816800	RD15E-B1
	or 46816900	RD15E-B2
	or 46817000	RD15E-B3
oJW1	46741100	Cross Conductor (Chip)
oJW2	46741100	Cross Conductor (Chip)
oJW3	46741100	Cross Conductor (Chip)

Parts No.	Stock No.	Description
oJW4	46741100	Cross Conductor (Chip)
oJW5	46741100	Cross Conductor (Chip)
oJW6	46741100	Cross Conductor (Chip)
oJW7	46741100	Cross Conductor (Chip)
oJW8	46741100	Cross Conductor (Chip)
oJW9	46741100	Cross Conductor (Chip)
oJW10	46741100	Cross Conductor (Chip)
oJW11	46741100	Cross Conductor (Chip)
oJW12	46741100	Cross Conductor (Chip)
oJW13	46741100	Cross Conductor (Chip)
oJW14	46741100	Cross Conductor (Chip)
oJW15	46741100	Cross Conductor (Chip)
oJW16	46741100	Cross Conductor (Chip)
oJW17	46741100	Cross Conductor (Chip)
oJW18	46741100	Cross Conductor (Chip)
oJW19	46741100	Cross Conductor (Chip)
oJW20	46741100	Cross Conductor (Chip)
oR51	46749200	4.7kΩ 1/8W Chip R.
oR52	46750800	22kΩ 1/8W Chip R.
oR53	46747600	1kΩ 1/8W Chip R.
oR54	46747600	1kΩ 1/8W Chip R.
oR55	46747600	1kΩ 1/8W Chip R.
oR56	46749200	4.7kΩ 1/8W Chip R.
oR57	46749200	4.7kΩ 1/8W Chip R.
oR58	46746800	470Ω 1/8W Chip R.
oR59	46752600	120kΩ 1/8W Chip R.
oR60	46752600	120kΩ 1/8W Chip R.
oR61	46749200	4.7kΩ 1/8W Chip R.
oR62	46754000	470kΩ 1/8W Chip R.
oR63	46749200	4.7kΩ 1/8W Chip R.
oR64	46754000	470kΩ 1/8W Chip R.
oR65	46749200	4.7kΩ 1/8W Chip R.
oR66	46754000	470kΩ 1/8W Chip R.
oR67	46749200	4.7kΩ 1/8W Chip R.
oR68	46754000	470kΩ 1/8W Chip R.
oR69	46749200	4.7kΩ 1/8W Chip R.

3-8. F-4871 Indicator Board

Component Side

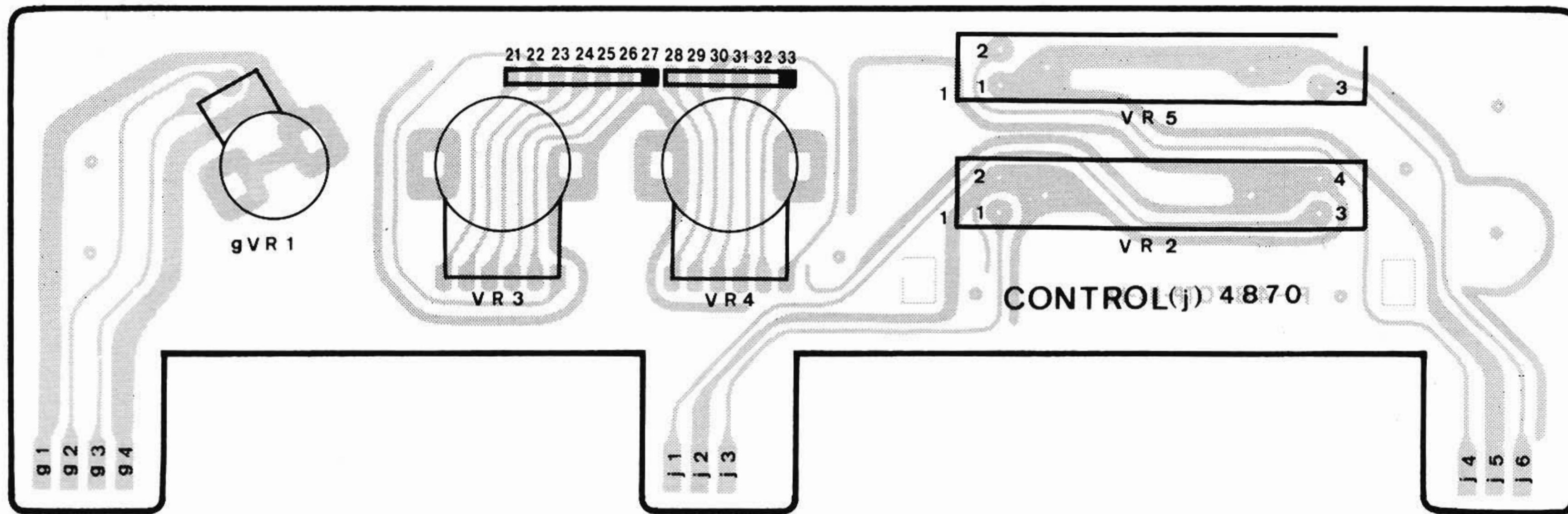


Parts List

Parts No.	Stock No.	Description
•LED		
nLD1	48161700	SEL1913K
nLD2	48161500	SEL1213C
nLD3	48161600	SEL1413E
nLD4	46176900	TLS-123
	or 46470200	SEL2210S
nLD5	46176900	TLS-123
	or 46470200	SEL2210S
nLD6	48161500	SEL1213C

3-9. F-4870 Tone Control Volume Board

Component Side



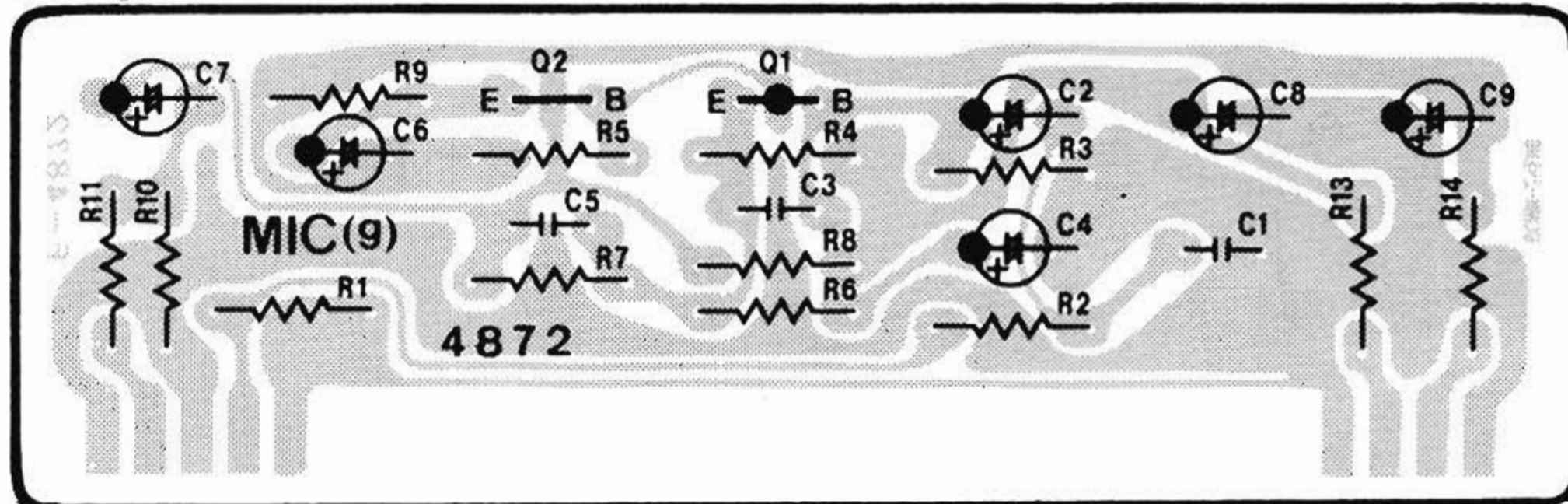
Parts List

Parts No.	Stock No.	Description
gVR1	48162300	20kΩ (A) V.R., MIC MIXING
jVR2	48162100	250kΩ V.R., BALANCE

Parts No.	Stock No.	Description
jVR3	48162200	50kΩ (C) V.R., BASS
jVR4	48162200	50kΩ (C) V.R., TREBLE
jVR5	48162400	10kΩ (A) V.R., MULTIDIMENSION

3-10. F-4872 Mic Amp. Board (Stock No. 00853201)

Component Side

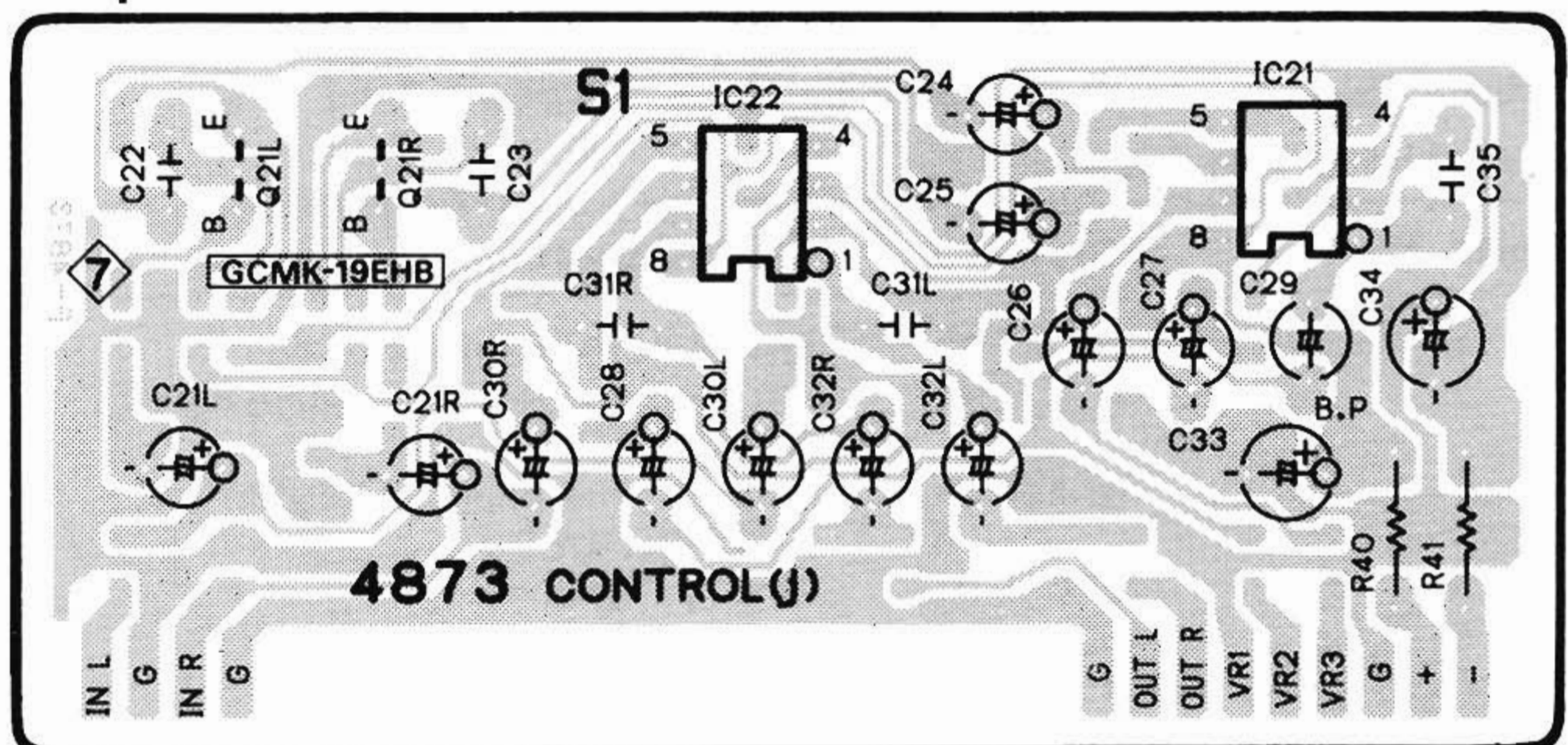


Parts List

Parts No.	Stock No.	Description
• Transistor		
gQ1	46581601	2SA992
gQ2	46577801	2SC2320L
	or 46581701	2SC1845

3-11. F-4873 Multi Dimention Board (Stock No. 00853301)

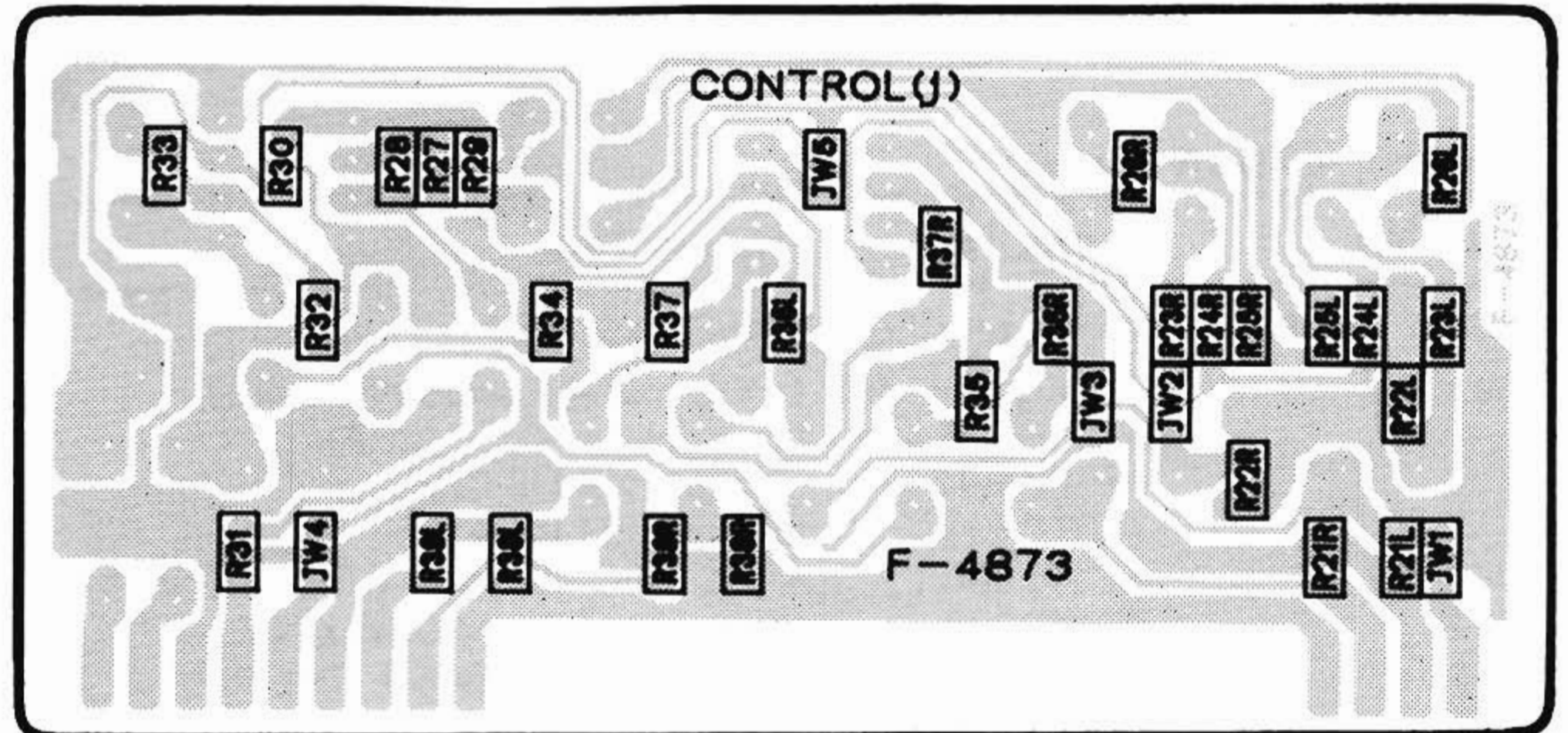
Component Side



Parts List

Parts No.	Stock No.	Description
jQ21	46367101	2SC2603
	or 46367301	2SC2458
	or 46391901	2SC2785
	or 48058801	2SC1740S
• IC		
jIC21	03607700	NJM4558D
	or 46580100	M5218P
jIC22	03607700	NJM4558D
	or 46580100	M5218P
jW1	46741100	Cross Conductor (Chip)
jW2	46741100	Cross Conductor (Chip)
jW3	46741100	Cross Conductor (Chip)
jW4	46741100	Cross Conductor (Chip)
jW5	46741100	Cross Conductor (Chip)
jR21	46752800	150kΩ 1/8W Chip R.
jR22	46752800	150kΩ 1/8W Chip R.

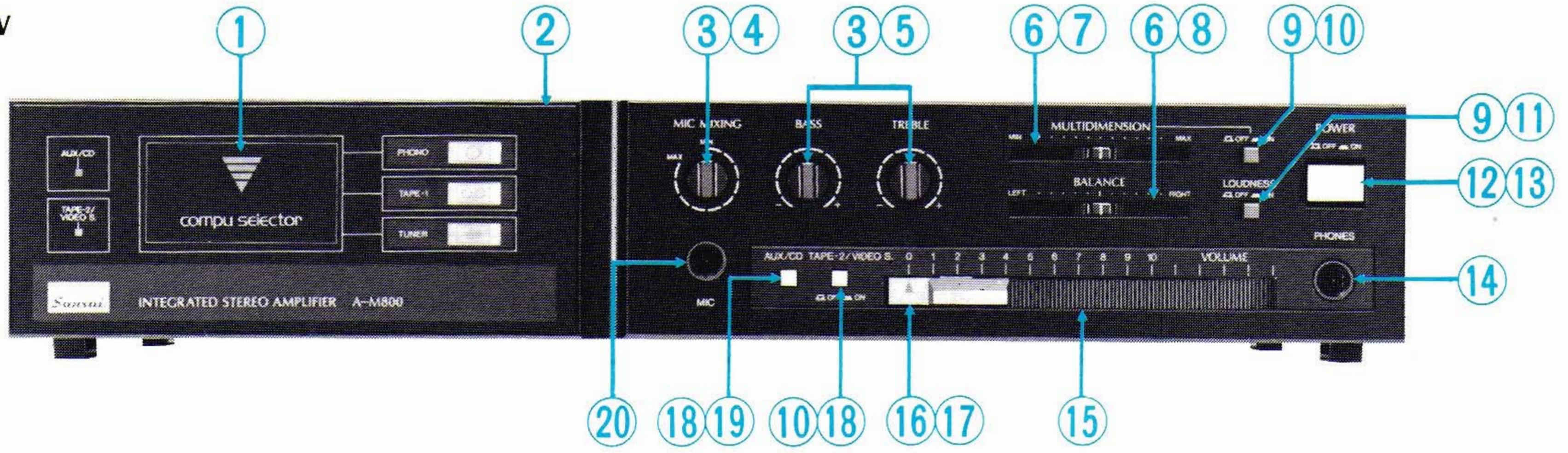
Pattern Side < Chip Parts >



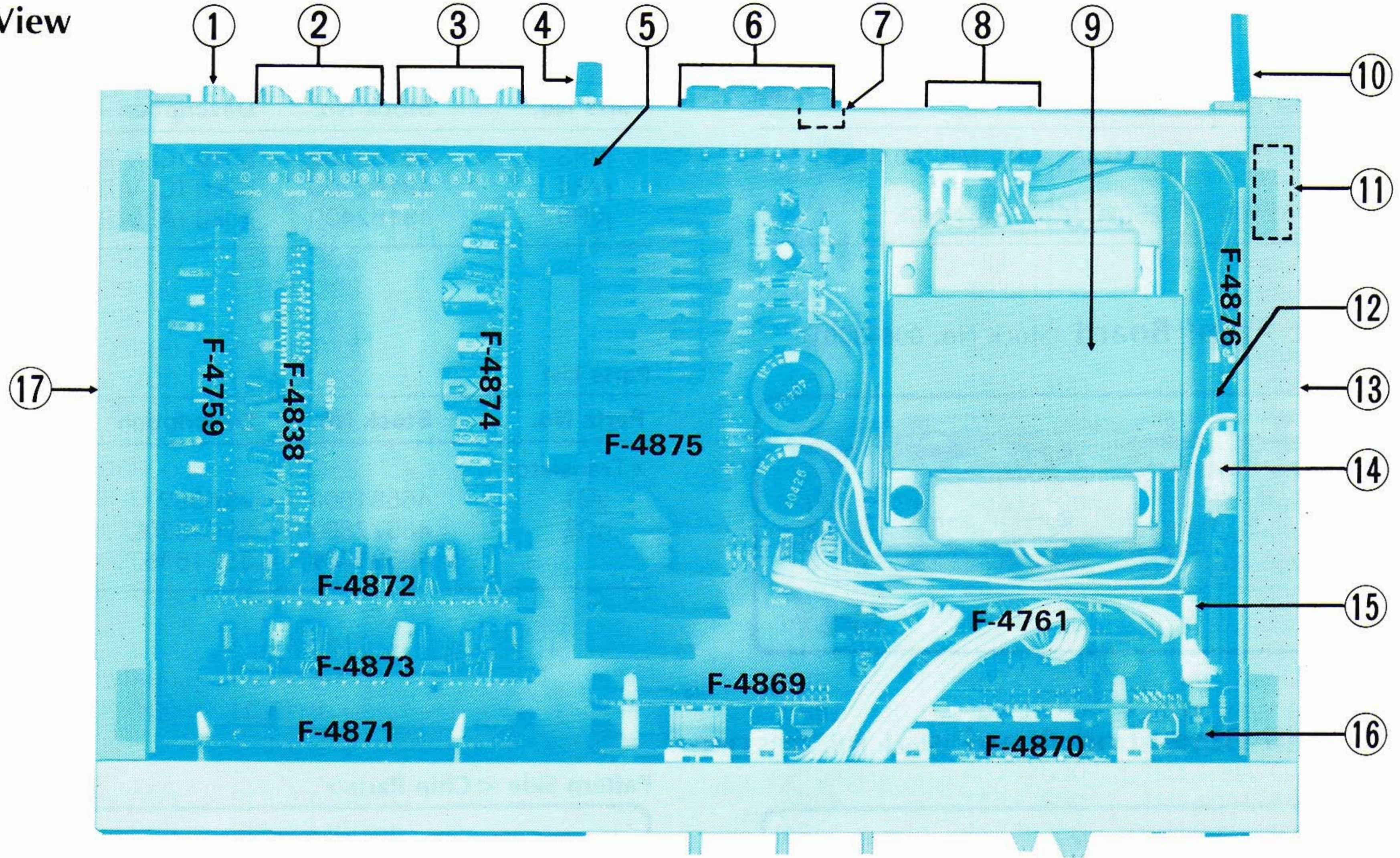
Parts No.	Stock No.	Description
jR23	46750000	10kΩ 1/8W Chip R.
jR24	46748400	2.2kΩ 1/8W Chip R.
jR25	46748400	2.2kΩ 1/8W Chip R.
jR26	46750600	18kΩ 1/8W Chip R.
jR27	46752200	82kΩ 1/8W Chip R.
jR28	46753000	180kΩ 1/8W Chip R.
jR29	46753000	180kΩ 1/8W Chip R.
jR30	46752200	82kΩ 1/8W Chip R.
jR31	46750000	10kΩ 1/8W Chip R.
jR32	46751600	47kΩ 1/8W Chip R.
jR33	46752800	150kΩ 1/8W Chip R.
jR34	46752800	150kΩ 1/8W Chip R.
jR35	46751600	47kΩ 1/8W Chip R.
jR36	46752800	150kΩ 1/8W Chip R.
jR37	46752800	150kΩ 1/8W Chip R.
jR38	46752800	150kΩ 1/8W Chip R.
jR39	46746800	470Ω 1/8W Chip R.
jC29	48103500	2.2μF 50V E.B.

4. OTHER PARTS

4-1. Front View



4-2. Top View



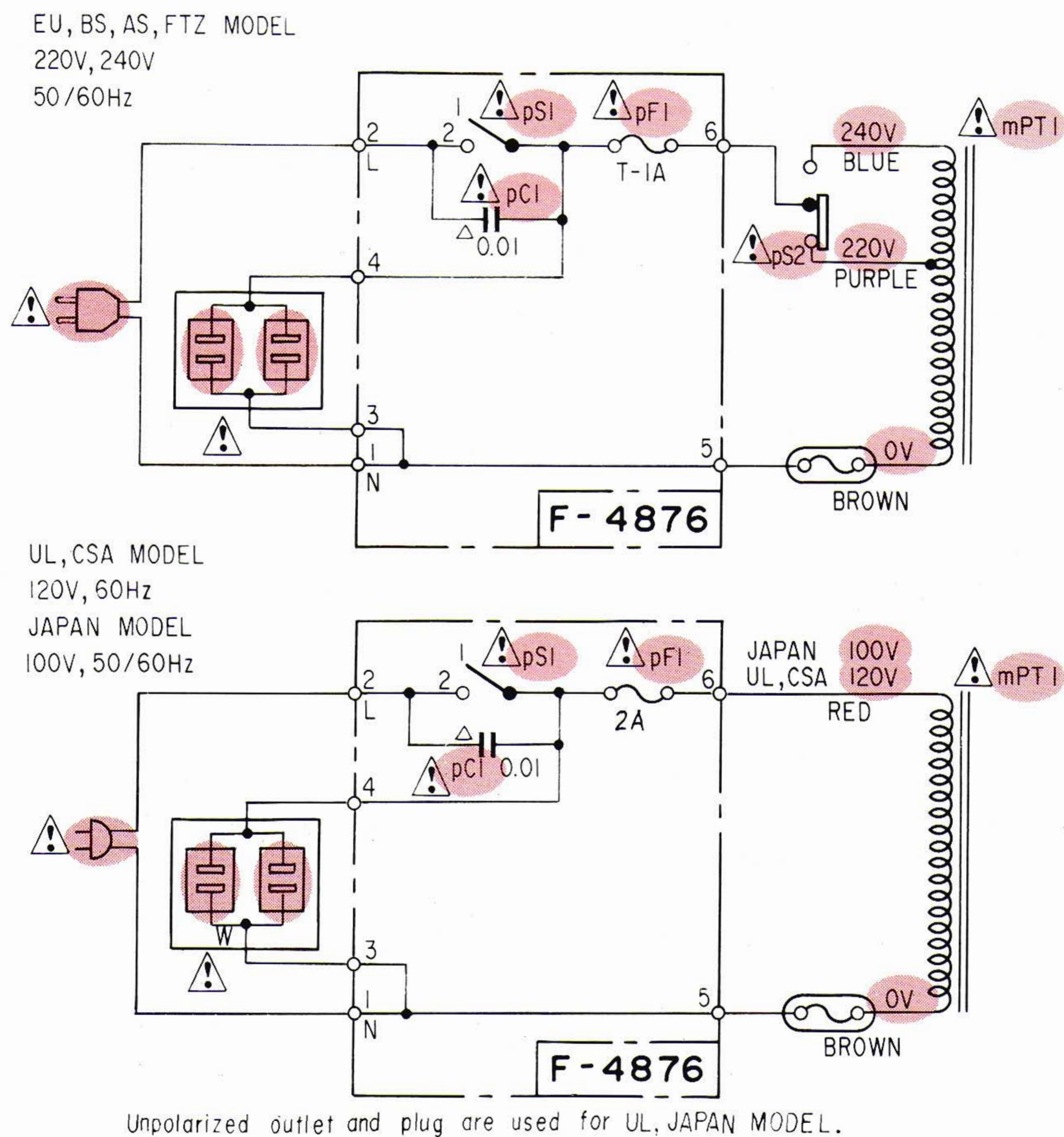
Parts List <Front View>

Parts No.	Stock No.	Description
1	47729100	Front Panel Ass'y (XX,UL,CSA,EU,BS,AS)
2	47968000	Front Panel Ass'y (CSA)
	47560400	Bonnet (XX,UL,CSA)
3	27016200	Bonnet (EU,BS,AS)
	47742300	Knob, MIC MIXING, BASS, TREBLE
4	48162300	20kΩ (A) V.R., MIC MIXING
5	48162200	50kΩ (C) V.R., BASS, TREBLE
6	47721500	Knob, MULTIDIMENSION, BALANCE
7	48162400	10kΩ (A) V.R., MULTIDIMENSION
8	48162100	250kΩ V.R., BALANCE
9	47742200	Knob, MULTIDIMENSION, LOUDNESS
10	46556300	Push SW., MULTIDIMENSION, TAPE-2/VIDEO S.
11	46556400	Push SW., LOUDNESS
12	47157800	Knob, POWER
△ 13	46364300	Push SW., POWER (XX,UL,EU,BS,AS)
△ 14	48065000	Push SW., POWER (CSA)
15	24306200	Jack, PHONES
16	47722200	Masking Plate
17	47721610	Knob, VOLUME
18	48162000	150kΩ (B) V.R., VOLUME
19	47721200	Knob, TAPE-2/VIDEO S., AUX/CD
20	46917000	Push SW., AUX/CD
	46838700	Jack, MIC

Parts List <Top View>

Parts No.	Stock No.	Description
1	46438100	2P Terminal Board, PHONO
2	46363900	6P Terminal Board, TUNER AUX/CD, TAPE-1 REC
3	46546800	6P Terminal Board, TAPE-1 PLAY, TAPE-2/VIDEO S.
4	22301510	Ground Terminal
5	46547200	Mini Jack, COMPU SELECTOR
6	46549200	4P Terminal Board, SPEAKERS
△ 7	48062100	Slide SW., VOLTAGE SELECTOR (XX)
△ 7	07204700	Slide SW., VOLTAGE SELECTOR (EU,BS)
△ 8	46365000	AC Outlets (XX,UL)
△ 8	48184400	AC Outlets (CSA)
△ 8	46161000	AC Outlets (EU)
△ 8	46364800	AC Outlets (BS)
△ 8	46580600	AC Outlets (AS)
△ 9	15019101	Power Transformer (XX)
△ 9	15019102	Power Transformer (UL)
△ 9	15019103	Power Transformer (CSA)
△ 9	15019105	Power Transformer (EU,BS)
△ 9	15019107	Power Transformer (AS)
△ 10	38005700	Power Supply Cord (XX,UL)
△ 10	48188000	Power Supply Cord (CSA)
△ 10	38004500	Power Supply Cord (EU)
△ 10	38004300	Power Supply Cord (BS)
△ 10	07204200	Power Supply Cord (AS)
11	47157300	AC Cord Cover
△ 12	07188600	Fuse 2.0A 250V (XX,UL,CSA)
△ 12	07184700	Fuse 1.0A (EU,BS,AS)
13	47560110	Side Panel (Right)
14	46414000	Push SW., Mute
△ 15	46364300	Push SW., POWER (XX,UL,EU,BS,AS)
△ 15	48065000	Push SW., POWER (CSA)
16	47722700	Joint Shaft
17	47560010	Side Panel (Left)

5-2. Power Supply Section

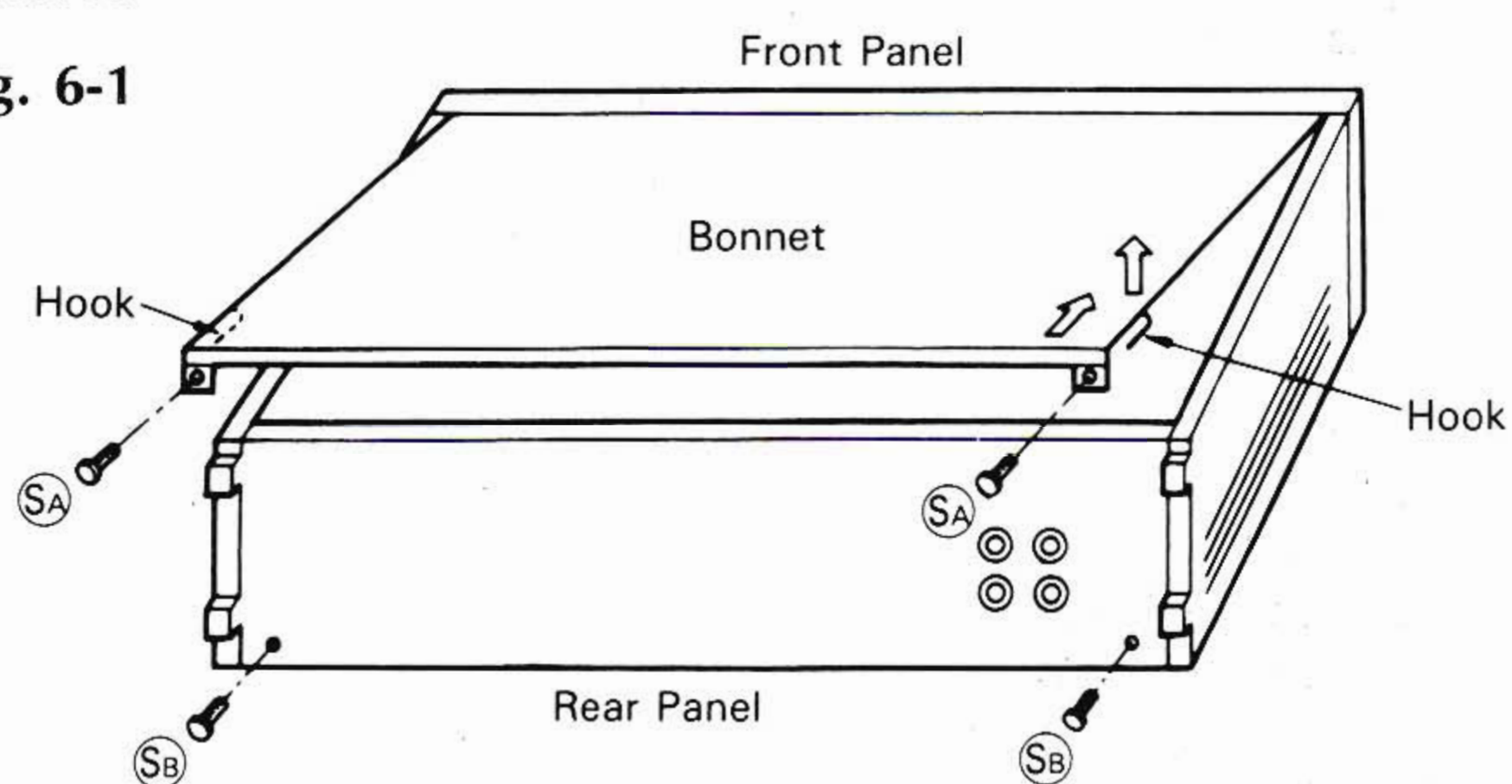


6. MAIN PARTS REPLACEMENT

A. Bonnet (See Fig. 6-1)

- 1) Remove two screws (S_A).
- 2) Pull the rear side of the bonnet remove the hooks and then remove bonnet.

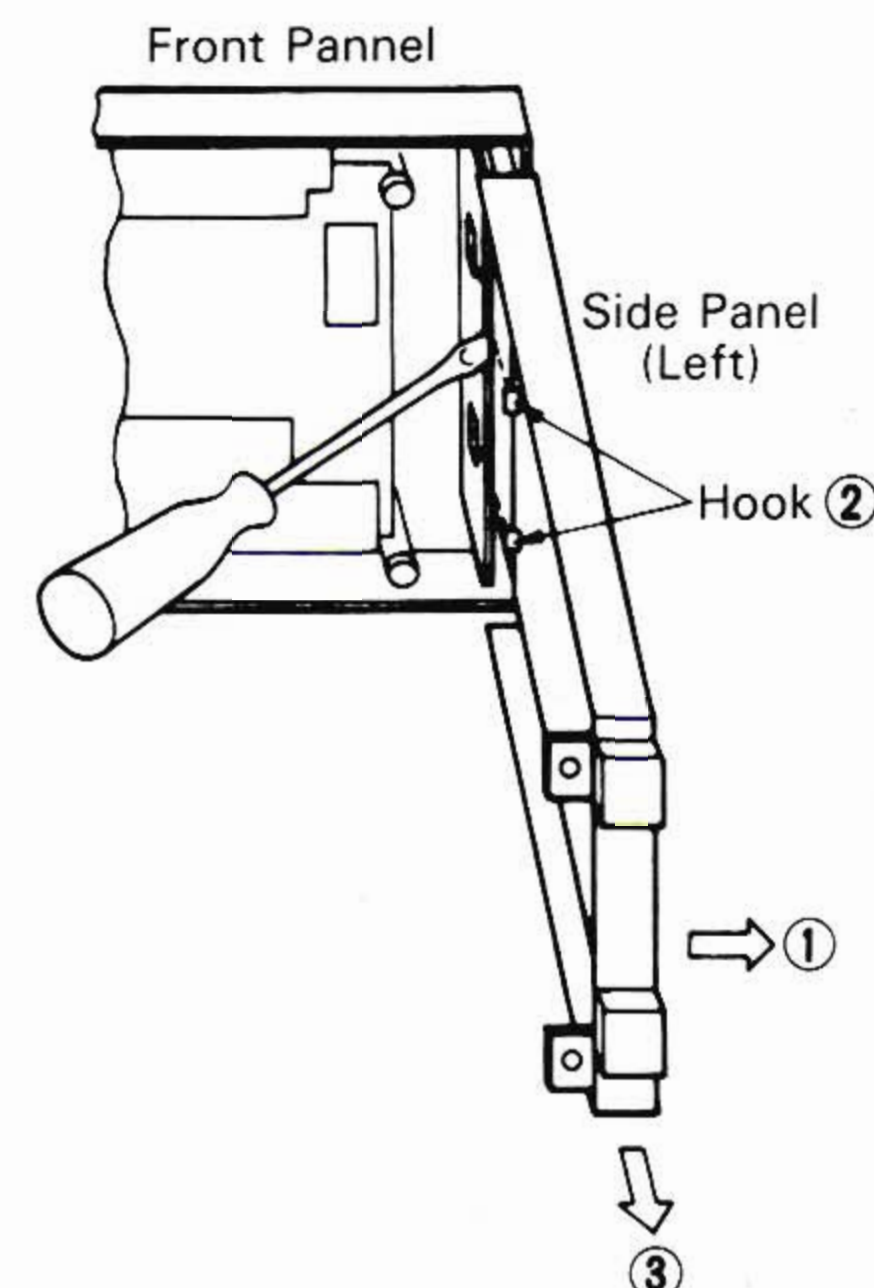
Fig. 6-1



B. Side Panel L(R) (See Fig. 6-1 & Fig. 6-2)

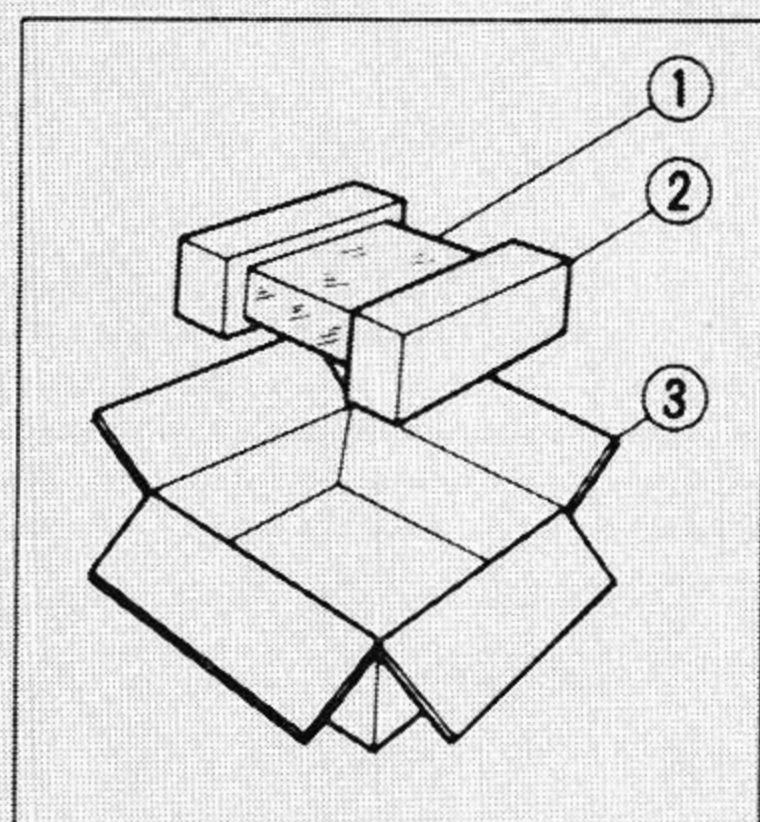
- 1) Remove bonnet and two screws (S_B).
- 2) Shift the position of the side panel L(R) 1.5 cm in the arrow direction.
- 3) Remove the hooks (2) of the side panel from front panel and then pull it the arrow direction (3) to remove the side panel L(R) (Fig. 6-2 (3)).

Fig. 6-2



7. PACKING LIST

Parts No.	Stock No.	Description
1	47859400	Vinyl Cover
2	47159810	Styrofoam Packing
3	47937600	Carton Case



8. ACCESSORY LIST

Stock No.	Description
46979700	Operating Instruction
46983400	Wiring Notice Sheet

SANSUI ELECTRIC CO., LTD.:

SANSUI ELECTRONICS CORPORATION:

SANSUI ELECTRONICS (U.K.) LTD.:
SANSUI ELECTRONICS G.M.B.H.:

14-1, Izumi 2-chome, Suginami-ku, Tokyo 168 Japan
 PHONE: (03) 324-8891/TELEX: 232-2076 (International Division)
 1250 Valley Brook Ave. Lyndhurst, N.J. 07071 U.S.A.
 17150 South Margay Ave. Carson, California 90746 U.S.A.
 3036 Koapaka Street, Honolulu, Hawaii 96819 U.S.A.
 Unit 10A, Lyon Industrial Estate, Rockware Avenue, Greenford, Middx UB6, OAA, England
 Pau Ehrich Strasse 8, 6074 Rödermark 2, West Germany