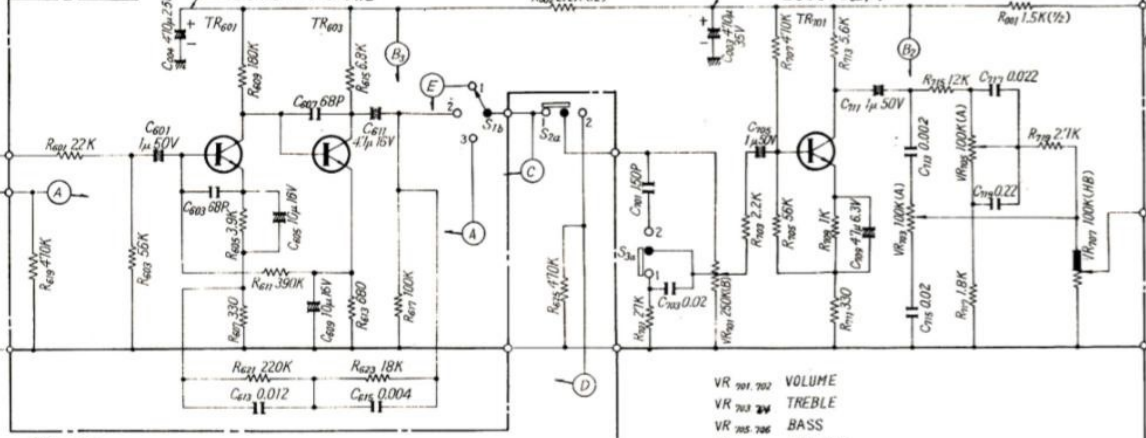
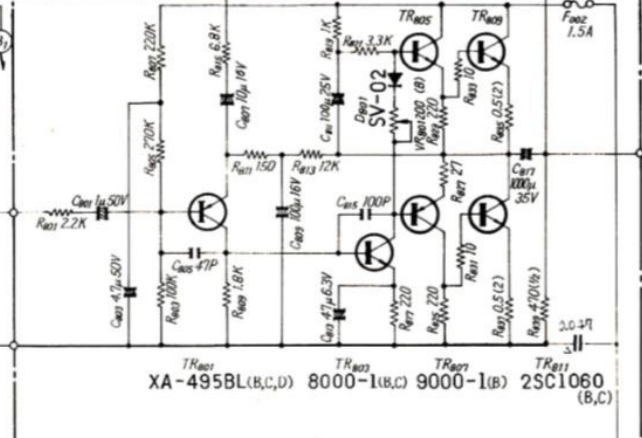


**F-1303**



- VR 101 100 VOLUME
- VR 103 2W TREBLE
- VR 105 700B BASS
- VR 107 700B BALANCE

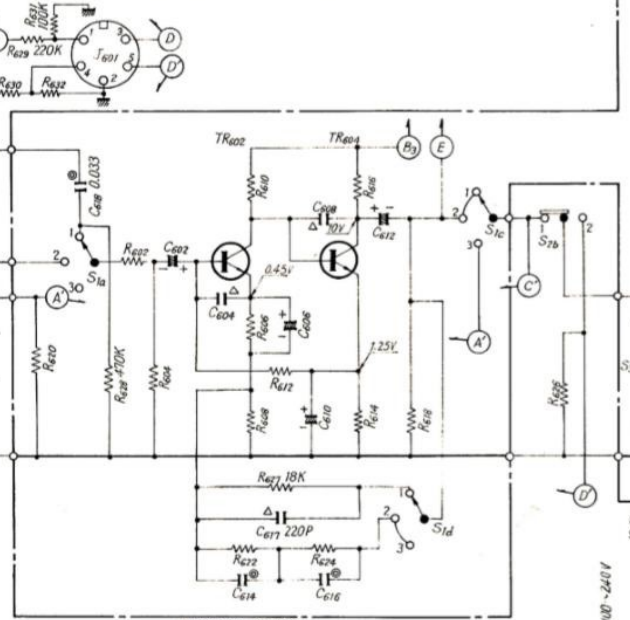
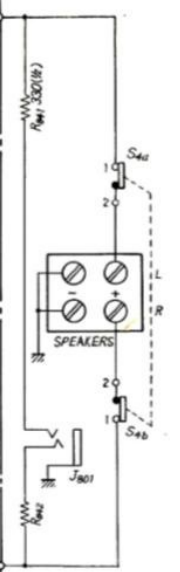
**F-1302-2**



- TR101 TR103 8000-1(B,C) 8000-1(B,C)
- TR105 TR107 9000-1(B) 2SC1060(B,C)

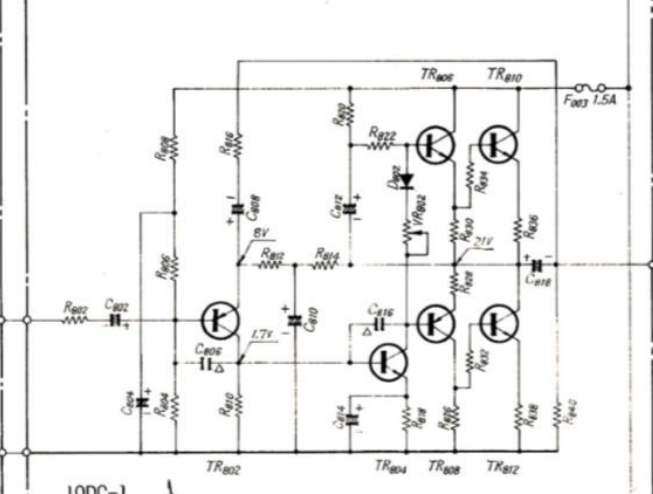
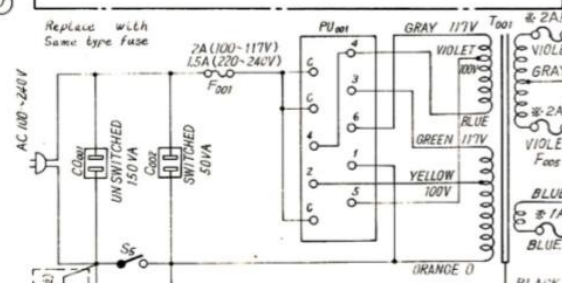
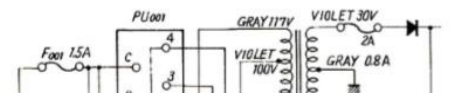
LEFT INPUT  
TAPE  
AUX  
REC  
PLAY

RIGHT INPUT  
TAPE  
PHONO  
AUX  
REC  
PLAY



CAPACITOR SYMBOL  
 ● MYLAR  
 ▲ CERAMIC  
 ○ OIL

European type Connection of the power supply circuit.



- S1 (a-d) SELECTOR SW
- 1 MIC
- 2 PHONO
- 3 AUX
- S2 (a-b) TAPE MONITOR SW
- 1 SOURCE
- S4 (a-b) SPEAKER SW
- 1 ON
- 2 OFF
- S5 POWER SW
- \* WIRED IN FUSE