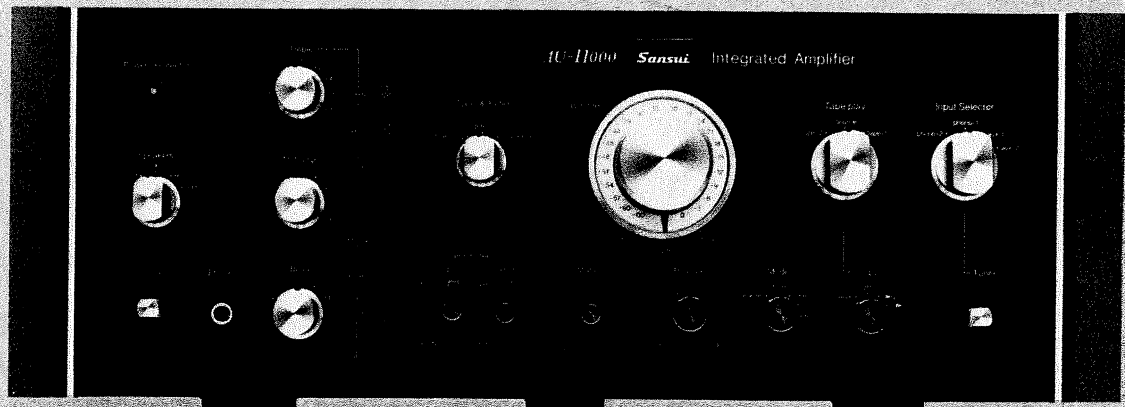


# SERVICE MANUAL

INTEGRATED STEREO AMPLIFIER

**SANSUI AU-9900/11000**



*Sansui*

SANSUI ELECTRIC CO., LTD.

This service manual is designed for service engineers to repair, adjust, maintain and order the replacement parts of the AU-9900 and AU-11000 correctly.

When ordering the parts, use the stock number and parts name specifically referring to the Parts Locations & Parts Lists.

For general usage and maintenance of the unit, please refer to the Operating Instructions attached with the unit.

## TABLE OF CONTENTS

<u>Section</u>	<u>Title</u>	<u>Page</u>
<b>1.</b>	<b>SPECIFICATIONS</b>	<b>2</b>
<b>2.</b>	<b>BLOCK DIAGRAM</b>	<b>3</b>
<b>3.</b>	<b>ADJUSTMENTS</b>	<b>3</b>
<b>4.</b>	<b>TROUBLESHOOTING</b>	<b>4</b>
4-1.	Troubleshooting Chart	4, 5
4-2.	Operation Block Diagram	6
<b>5.</b>	<b>PARTS LOCATION AND PARTS LIST</b>	<b>7</b>
5-1.	F-2566 Power Supply Circuit Board	7
5-2.	F-2568 Regulated Power Supply & Protector Circuit Board	7
5-3.	F-2567 Power Supply Circuit Board for Driver AMP.	8
5-4.	F-2582 Power Supply Circuit Board for Driver AMP.	8
5-5.	F-2570 Equalizer Circuit Board	9
5-6.	F-2569 Input Terminal & Switch Circuit Board	9
5-7.	F-2573 Filter & Accessory Circuit Board	9
5-8.	F-2574 Buffer AMP. Circuit Board	9
5-9.	F-2575 Tone Midrange Circuit Board	10
5-10.	F-2576 Tone Bass & Treble Circuit Board	10
5-11.	F-2581 Power AMP. (+) Circuit Board	11
5-12.	F-2581 Power AMP. (-) Circuit Board	11
5-13.	F-2571 Tape Copy & Tuner Switch Circuit Board	11
5-14.	F-2577 Tone Selector (Treble) Circuit Board	12
5-15.	F-2578 Tone Selector (Bass) Circuit Board	12
5-16.	F-2572 Tape Play Circuit Board	12
5-17.	F-2579 Pre-Main Switch Circuit Board	12
5-18.	F-2580 Driver AMP. Circuit Board	13
5-19.	F-2583 Driver AMP. Circuit Board	14
5-20.	Figures	15
5-21.	Other Parts (Front Side)	16
5-22.	Other Parts (Top & Bottom Side)	17
<b>6.</b>	<b>SCHEMATIC DIAGRAM</b>	<b>18</b>
6-1.	AU-9900 Pre AMP. Section	18
6-2.	AU-9900 Power AMP. Section	19
6-3.	AU-11000 Pre AMP. Section	20
6-4.	AU-11000 Power AMP. Section	21
6-5.	F-2582, F-2583	22
<b>7.</b>	<b>PACKING LIST</b>	<b>back cover</b>
<b>8.</b>	<b>ACCESSORY PARTS LIST</b>	<b>back cover</b>

# 1. SPECIFICATIOIS

## POWER OUTPUT

Min. RMS, both channels driven, from 20 to 20,000Hz, with no more than 0.08% total harmonic distortion

- ※AU-9900 { 80 watts per channel into 8 ohms  
80 watts per channel into 4 ohms
- ※AU-11000 { 110 watts per channel into 8 ohms  
110 watts per channel into 4 ohms

LOAD IMPEDANCE ..... 4, 8 ohms (SYSTEM A or B)  
8 ohms (SYSTEM A+B)

POWER BANDWIDTH ..... 20 to 20,000Hz at or below rated min. RMS power output and total harmonic distortion

## TOTAL HARMONIC DISTORTION

..... less than 0.08% at or below rated min. RMS power output

## INTERMODULATION DISTORTION

(70Hz:7kHz=4:1 SMPTE method)

..... less than 0.08%

## FREQUENCY RESPONSE (at 1 watt)

..... 10 to 50,000Hz  $\pm 0$ dB

DAMPING FACTOR ..... approximately 80 at 8 ohms load

## INPUT SENSITIVITY AND IMPEDANCE

(1kHz, for rated power output)

PHONO-1 ..... 2, 4, 8 mV/30, 50, 100 kilo-ohms

(Max. input capability: 1,000 mV at 1kHz, less than 0.1% total harmonic distortion and PHONO-1 SENSITIVITY switch at 8 mV)

PHONO-2 ..... 2 mV/50 kilo-ohms

(Max. input capability: 300 mV at 1 kHz, less than 0.1% total harmonic distortion)

TUNER ..... 130 mV/50 kilo-ohms

AUX-1, 2 ..... 130 mV/50 kilo-ohms

TAPE-1, 2 PLAY (pin jacks)

..... 130 mV/50 kilo-ohms

TAPE-2 REC/PLAY (DIN socket)

..... 130mV

MAIN IN ..... 700 mV/100 kilo-ohms

## OUTPUT LEVEL (1,000Hz)

TAPE-1, 2 REC (pin jacks)

..... 130 mV

TAPE-2 REC/PLAY (DIN socket)

..... 30 mV

PRE OUT ..... 700 mV

## CHANNEL SEPARATION (1 kHz, at rated power output)

PHONO-1, 2 ..... better than 55dB

TUNER ..... better than 60dB

AUX-1, 2 ..... better than 60dB

TAPE-1, 2 PLAY ..... better than 60dB

MAIN IN ..... better than 70dB

## HUM AND NOISE (IHF)

PHONO-1, 2 ..... better than 65dB

TUNER ..... better than 80dB

AUX-1, 2 ..... better than 80dB

TAPE-1, 2 PLAY ..... better than 80dB

MAIN IN ..... better than 100dB

## CONTROLS

BASS .....  $\pm 10$ dB (30Hz)

Tone selector (turnover frequency)

..... 150, 300, 600Hz

MIDRANGE .....  $\pm 5$ dB (1.5 kHz)

TREBLE .....  $\pm 10$ dB (20 kHz)

Tone selector (turnover frequency)

..... 2, 4, 8 kHz

LOW FILTER ..... -3dB (20, 60Hz), 12dB/oct.

HIGH FILTER ..... -3dB (7 kHz), 6dB/oct.

..... -3dB (12 kHz), 12dB/oct.

MUTING ..... 0, -20dB

LEVEL SET ..... 0, -10dB, -20dB

## POWER REQUIREMENTS

POWER VOLTAGE ..... 100, 120, 220, 240V 50/60Hz

120V (Usable 110~130V)

(for U.S.A. & Canada only)

POWER CONSUMPTION ..... 180 watts (rated)

515 watts (max)

DEMENSIONS ..... 460 mm (18  $\frac{1}{8}$ " ) W

160 mm ( 6  $\frac{5}{16}$ " ) H

373 mm (14  $\frac{13}{16}$ " ) D

※AU-9900

WEIGHT ..... 17.9 kg (39.5 lbs) net

20.0 kg (44.1 lbs) packed

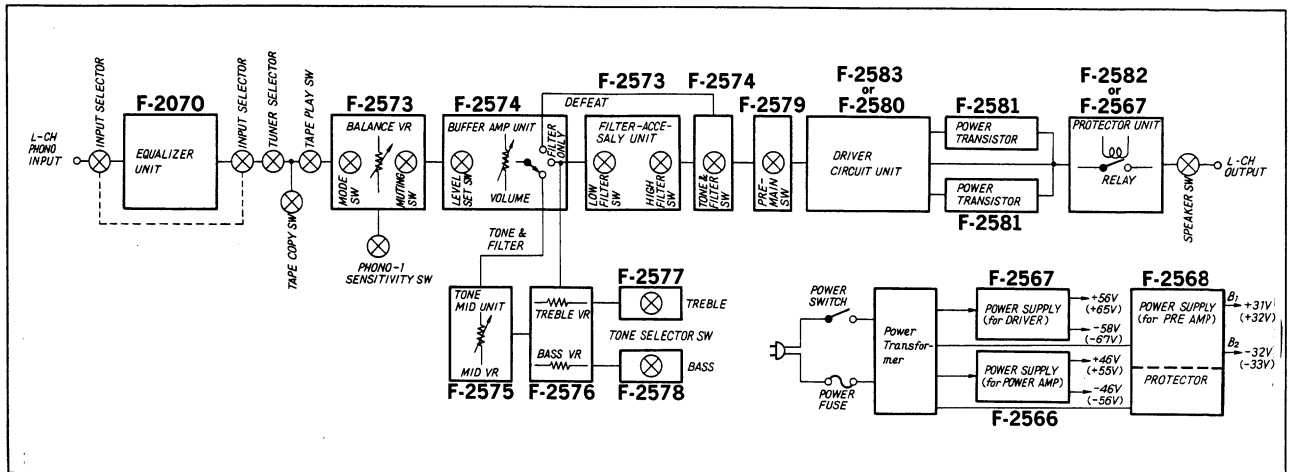
※AU-11000

WEIGHT ..... 19.0 kg (41.9 lbs) net

21.1 kg (46.5 lbs) packed

\* Design and specifications subject to change without notice for improvements.

## 2. BLOCK DIAGRAM



## 3. ADJUSTMENTS

### 3-1. Driver Circuit Board Adjustments

- Note: 1. Master Volume.....Minimum  
 2. Room Temperature .....10~35°C  
 3. For adjustment, run the unit for more than 5 minutes after the power is switched on.

STEP	SUBJECT	EQUIPMENT	MESURE OUTPUT	ADJUST	ADJUST FOR	CONDITION
1	DC 0V L-CH	DC Volt Meter	Speaker Terminal Fig. 3-2	F-2580 VR01 Fig. 3-1	0V ±10mV	Set bias current to minimum by VR03 and VR04 (clockwise)
2	DC 0V R-CH	DC Volt Meter	Same as above	F-2580 VR02 Fig. 3-1	0V ±10mV	
3	Bias Current L-CH	DC Milliammeter	Terminal 06 of F-2566 Fig. 3-1	F-2580 VR03 Fig. 3-1	50mA ±1mA	After setting leads ⊕⊖ from DC milliammeter to two points as Fig. 3-1 for this adjustment, set power switch to ON.
4	Bias Current R-CH	DC Milliammeter	Terminal 01 of F-2566 Fig. 3-1	F-2580 VR04 Fig. 3-1	50mA ±1mA	

※Change lead's polarity if meter swings backward.

Fig. 3-1

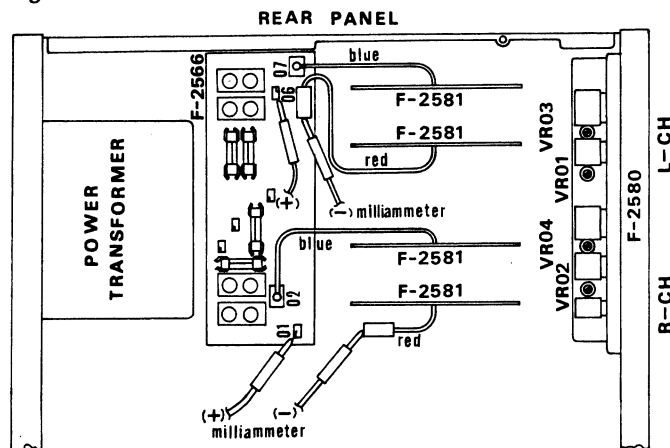
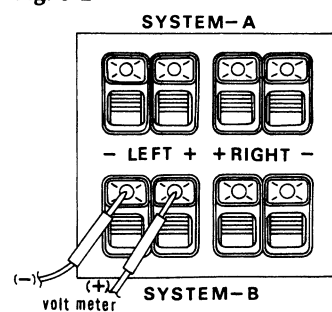


Fig. 3-2

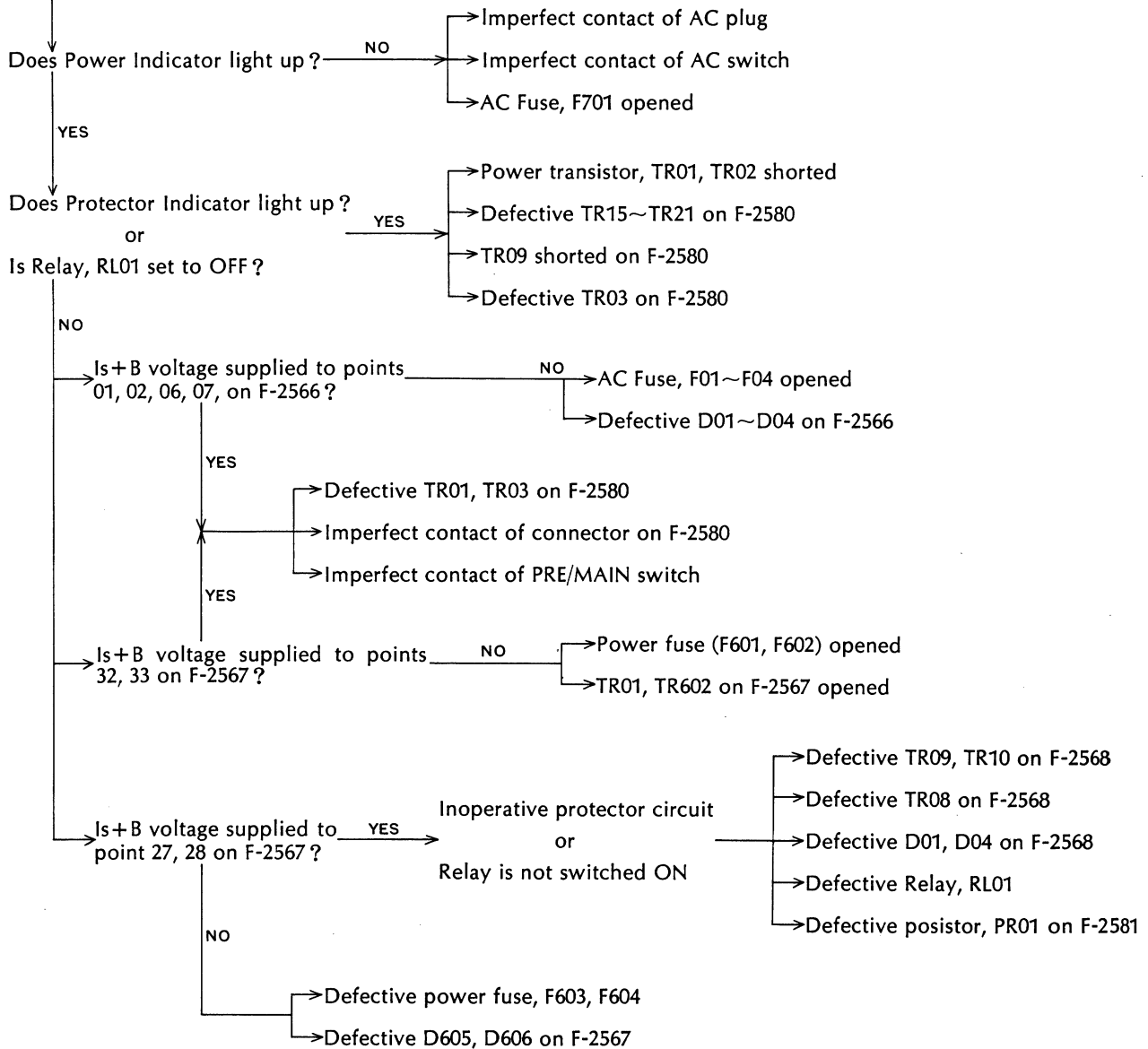


# 4. TROUBLESHOOTING

## 4-1. Troubleshooting Chart

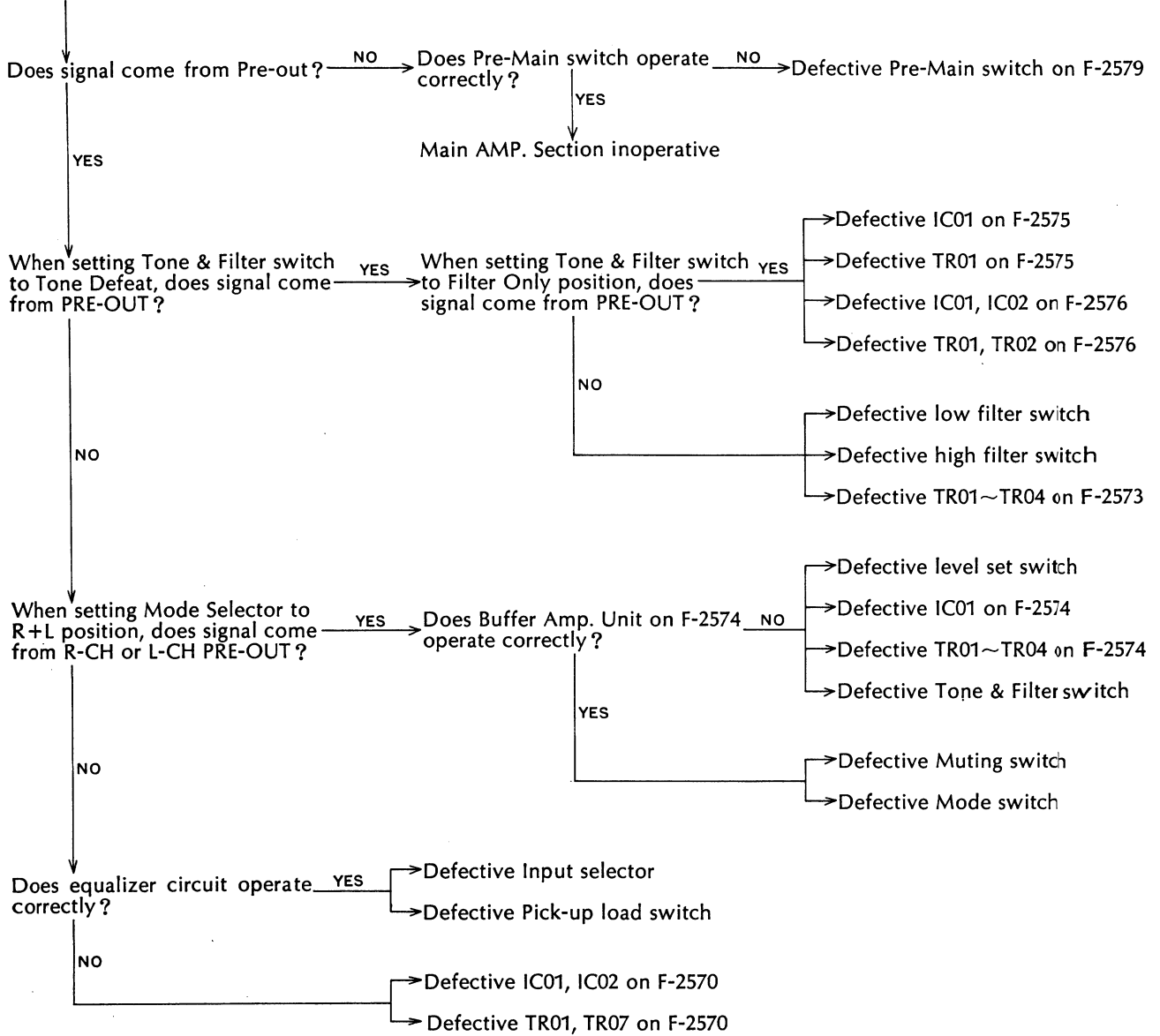
Troubleshootings on Main Amp. section (Feed signal...to MAIN IN)

Starting Check Point



## Troubleshooting on Pre Amp. Section (Feed signal to PHONO INPUT)

### Starting Check Point

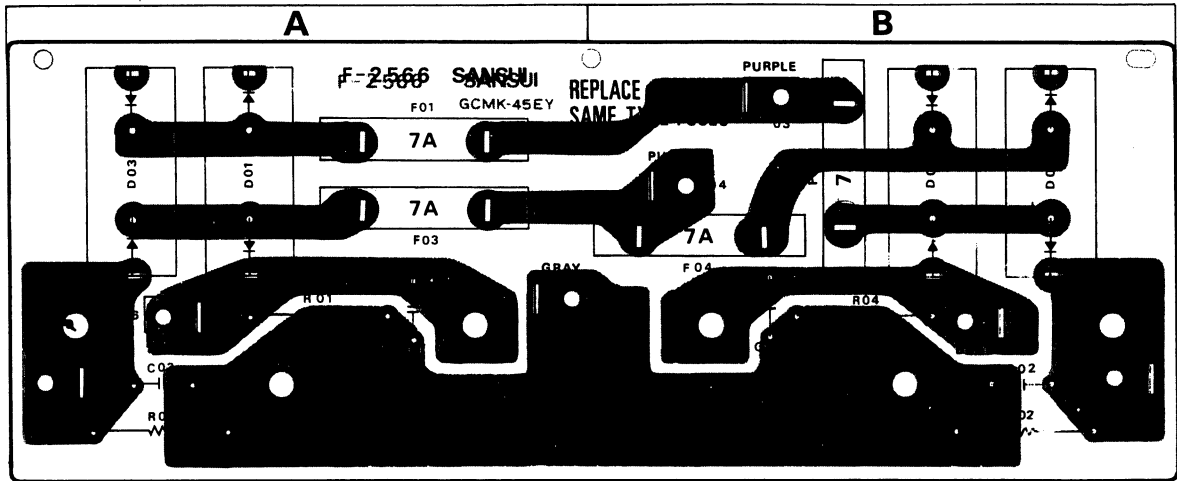


\*Please utilize this "Troubleshooting Chart" together with Operating Block Diagram in next page, if necessary.

# 5. PARTS LOCATION AND PARTS LIST

## 5-1. F-2566 Power Supply Circuit Board Counductor Side

AU-9900 (Stock No. 7501201)  
AU-11000 (Stock No. 7501231)



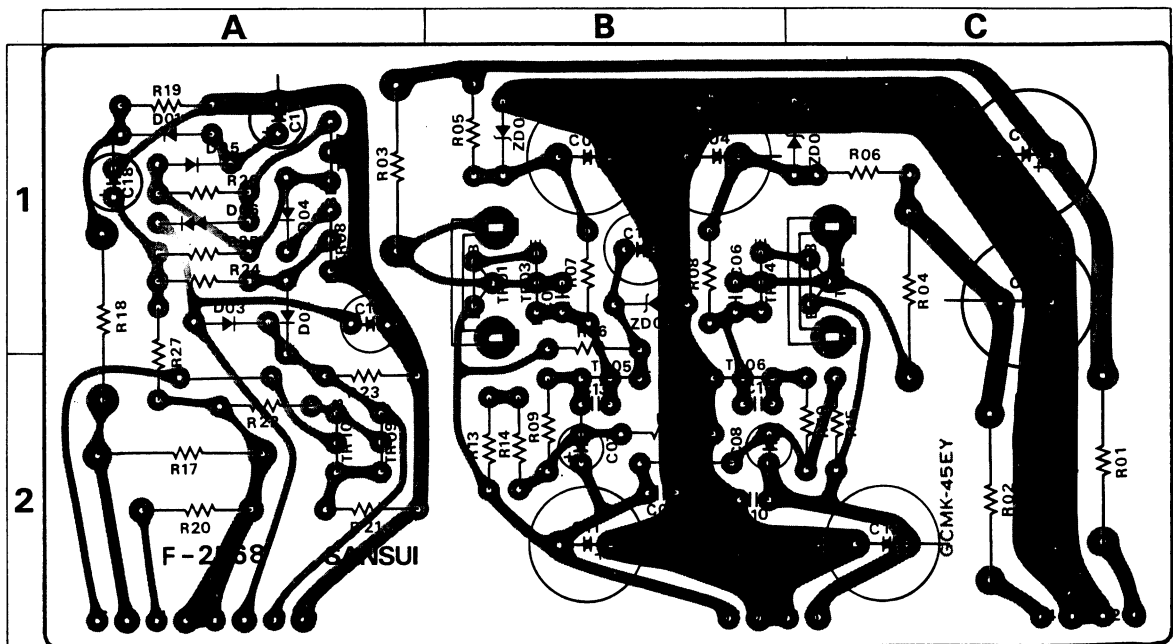
### Parts List

Parts No.	Stock No.	Description	
D01, 02	0311310	SS-5	Diode
D03, 04	0311320	SS-5R	
C01, 02	0659011	10000 pF	500V C.C.
C03, 04	0659011	10000 pF	
C901, 902	0605477	0.047 μF	
R01, 02	0105332	3.3kΩ 2W C.R.	

Parts No.	Stock No.	Description	
R03, 04	0105332	3.3kΩ 2W C.R.	A. B
	2310051	P type Fuse Holder	
<b>AU-9900 only</b>			
F01-04	0431280	5A 250V AC Fuse	A. B
<b>AU-11000 only</b>			
F01-04	0431300	7A 250V AC Fuse	A. B

## 5-2. F-2568 Regulated Power Supply & Protector Circuit Board Counductor Side

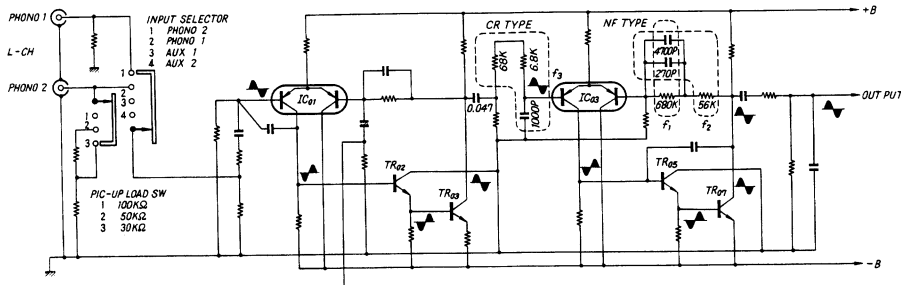
AU-9900 (Stock No. 7501221)  
AU-11000 (Stock No. 7501251)



## 4-2. Operation Block Diagram

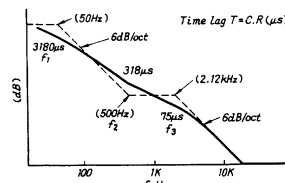
### F-2570 EQUALIZER BLOCK OPERATION DIAGRAM

F-2570 EQUALIZER BLOCK OPERATION DIAGRAM



INPUT SELECTOR  
1 PHONO 2  
2 PHONO 1  
3 AUX 1  
4 AUX 2

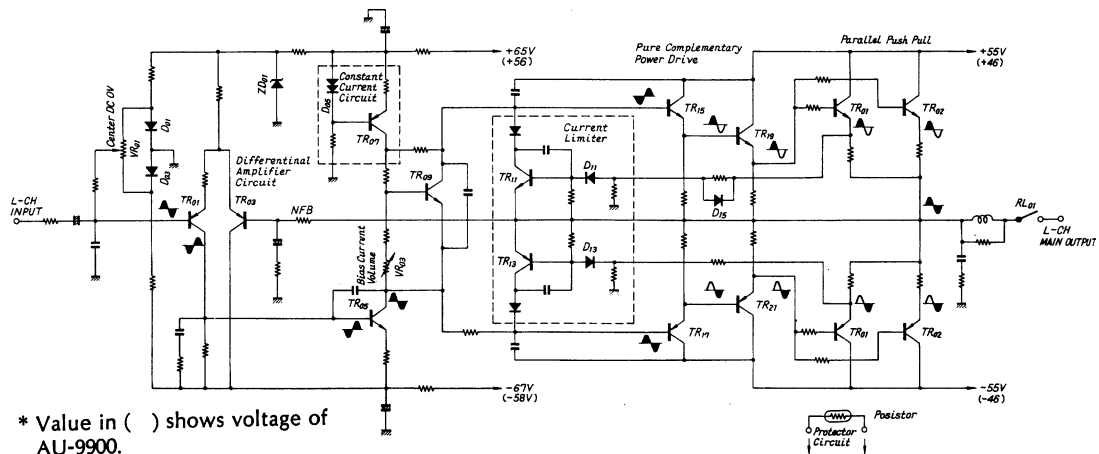
SENSITIVITY SW  
1 8mV  
2 4mV  
3 2mV



RIAA EQUALIZER CHARACTERISTICS

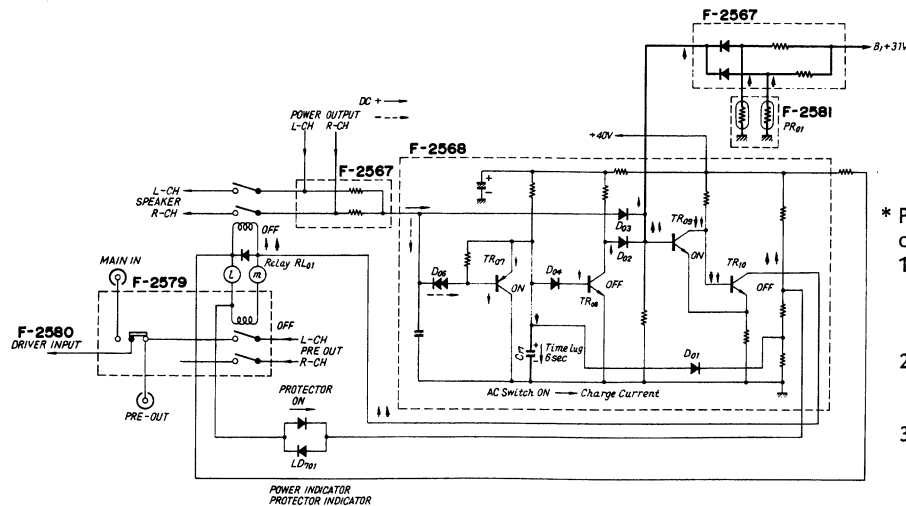
\* A curve of RIAA characteristics in equalizer circuit is obtained by combination of CR & NF type.

### DRIVE & POWER CIRCUIT



\* Value in ( ) shows voltage of AU-9900.

### PROTECTOR CIRCUIT

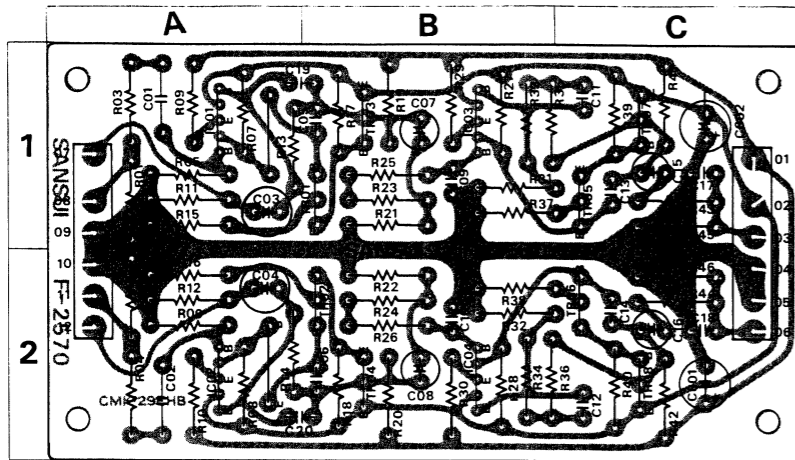


- \* Protection circuit is composed of the followings, 1, 2 & 3.
1. Circuit to protect speakers from break-down against continuous or momentary DC voltage.
  2. Circuit with posistor to protect power transistors from thermal runaway.
  3. Transient canceller circuit by relay to be completely free from pop noise at PRE-OUT.





**5-5. F-2570 Equalizer Circuit Board** AU-9900 (Stock No. 7550711)  
 AU-11000 (Stock No. 7550721)  
 Conductor side

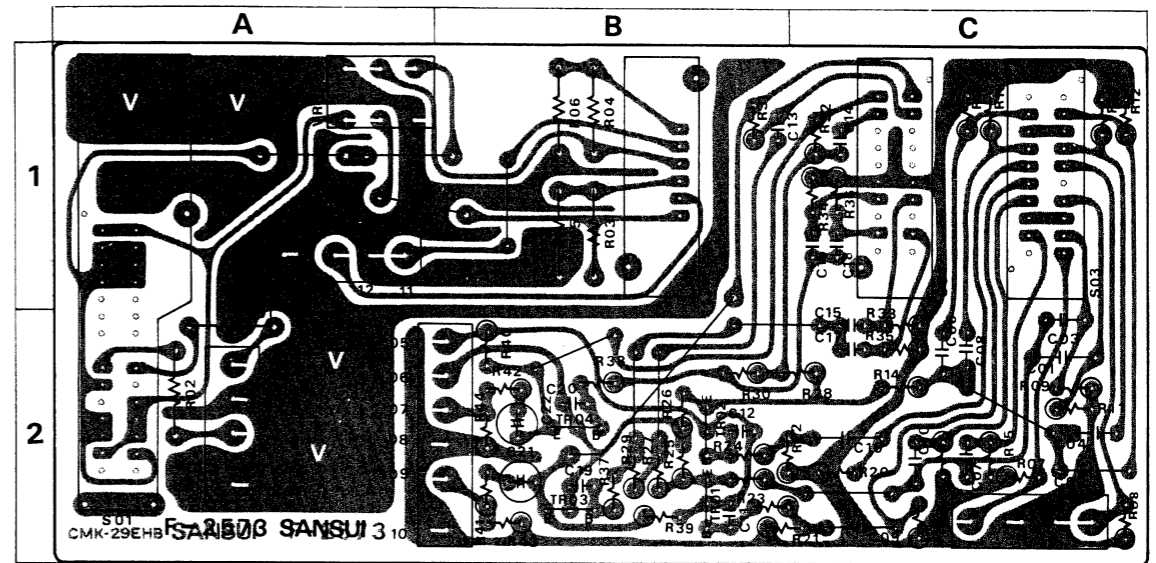


**Parts List**

Parts No.	Stock No.	Description	Position	Parts No.	Stock No.	Description	Position
TR01.02	0306070.1	25C1313 (F, G)	1 A. 2A	C01.02	0601478	0.47µF 50V M.C.	1 A. 2A
TR03.04	0306270.1	25C1708 (F, G)	1 B. 2B	C03.04	0512100	10µF 16V E.C.	1 A. 2A
TR05.06	0306070.1	25C1313 (F, G)	1 C. 2C	C07.08	0601478	0.47µF 50V M.C.	1 B. 2B
TR07.08	0306270.1	25C1708 (F, G)	1 C. 2C	C09.10	0630106	1000µF 50V E.C.	1 B. 2B
IC01.02	0360290.1	25A798 (F, G)	1 A. 2A	C11.12	0630476	4700µF 50V E.C.	1 C. 2C
IC03.04	0360290.1	25A798 (F, G)	1 B. 2B	C13.14	0660100	10µF 50V C.C.	1 C. 2C
				C15.16	0533339	3.3µF 25V E.C.	1 C. 2C

Parts No.	Stock No.	Description	Position
C17.18	0601276	0.0027µF 50V M.C.	1 C. 2C
C19.20	0660100	10µF 50V C.C.	1 A. 2A
C21.22	0660220	22µF 50V P.C.	
C23.24	0620271	270µF 50V P.C.	
C25.26	0519103	0.47µF 50V E.C.	2 C. 1C
C601.602	0515100	10µF 50V E.C.	
R01.02	0107224	220kΩ	1 A. 2A
R03.04	0107102	1kΩ	1 A. 2A
R05.06	0107184	180kΩ	1 A. 2A
R07.08	0107103	10kΩ	1 A. 2A
R09.10	0107124	120kΩ	1 A. 2A
R11.12	0107823	82kΩ	1 A. 2A
R13.14	0107184	180kΩ	1 A. 2A
R15.16	0107101	100Ω	1 A. 2A
R17.18	0107473	47kΩ	1 B. 2B
R19.20	0107682	6.8kΩ	1 B. 2B
R21.22	0107104	100kΩ	1 B. 2B
R23.24	0107683	68kΩ 1/4W C.R.	1 B. 2B
R25.26	0107682	6.8kΩ	1 B. 2B
R27.28	0107103	10kΩ	1 B. 2B
R29.30	0107823	82kΩ	1 B. 2B
R31.32	0107153	15kΩ	1 B. 2B
R33.34	0107584	680kΩ	1 B. 2B
R35.36	0107563	56kΩ	1 B. 2B
R37.38	0107101	100Ω	1 B. 2B
R39.40	0107473	47kΩ	1 C. 2C
R41.42	0107682	6.8kΩ	1 C. 2C
R43.44	0107101	100Ω	1 C. 2C
R45.46	0107104	100kΩ	1 C. 2C
	2410600	6P Pin Ass'y D type	

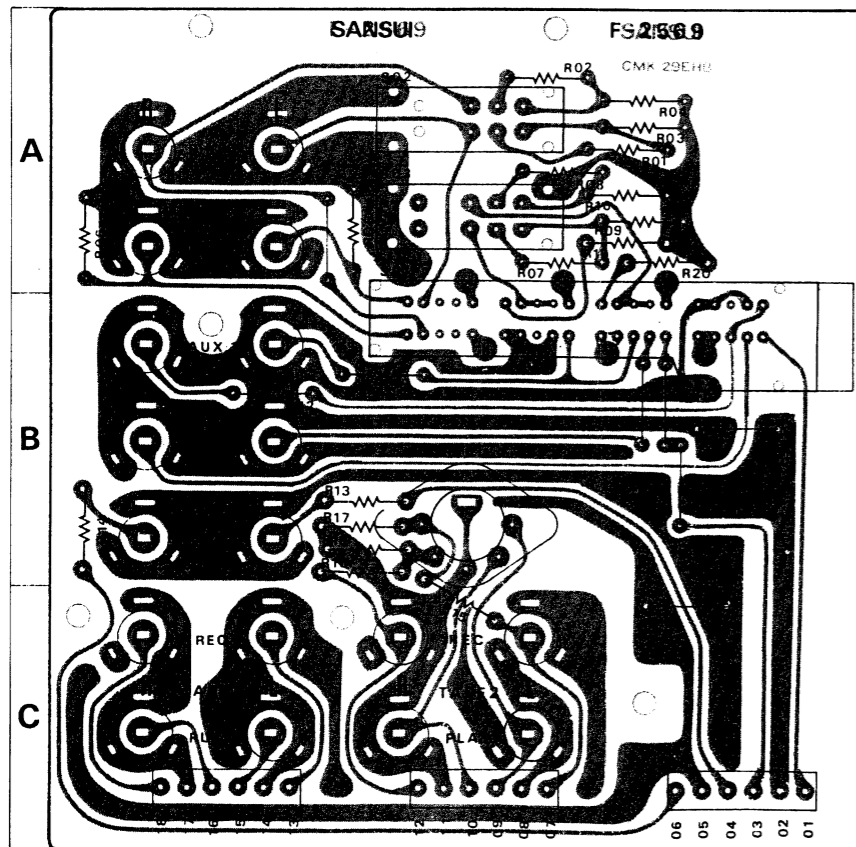
**5-7. F-2573 Filter & Accessory Circuit Board** AU-9900 (Stock No. 7561061)  
 AU-11000 (Stock No. 7561111)  
 Conductor Side



**Parts List**

Parts No.	Stock No.	Description	Position	Parts No.	Stock No.	Description	Position	Parts No.	Stock No.	Description	Position
TR01.02	0306270	25C1708 (F, G)	2 B. 2B	R03.04	0107154	150kΩ	1 B. 1B	R33.34	0106105	1MΩ	2 C. 1C
TR03.04	0300710.1	25A847 (F, G)	2 B. 2B	R05.06	0107183	18kΩ	1 B. 1B	R35.36	0106105	1MΩ	2 C. 1C
C01.02	0600158	0.15µF	2 C. 2C	R07.08	0106224	220kΩ	2 C. 2C	R37.38	0106102	1kΩ	2 B. 2B
C03.04	0600477	0.047µF	2 C. 2C	R09.10	0106105	1MΩ	2 C. 1C	R39.40	0107682	6.8kΩ 1/4W C.R.	2 B. 2B
C05.06	0600567	0.056µF 50V M.C.	2 C. 2C	R11.12	0106105	1MΩ	2 C. 1C	R41.42	0106101	100Ω	2 B. 2B
C07.08	0600187	0.018µF	2 C. 2C	R13.14	0106823	82kΩ	2 B. 2C	R43.44	0106104	100kΩ	2 B. 2B
C09.10	0601228	0.22µF	2 C. 2C	R15.16	0106105	1MΩ	2 C. 2C				
C11.12	0660100	10µF 50V C.C.	2 B. 2B	R17.18	0106105	1MΩ 1/4W C.R.	1 C	VR01	1015170.1	250kΩ Balance Volume	1 A
C13.14	0600566	0.0056µF	1 B. 1C	R19.20	0106394	390kΩ	2 C. 2C	S01	1190250	MODE Switch	1, 2A
C15.16	0600226	0.0022µF 50V M.C.	2 C. 1C	R21.22	0106394	390kΩ	2 B. 2B	S02	1170770	MUTING Switch	2 B. 2B
C17.18	0600276	0.0027µF	2 C. 1C	R23.24	0106102	1kΩ	2 B. 2B	S03	1170950	LOW FILTER Switch	1 C
C19.20	0660100	10µF 50V C.C.	2 B. 2B	R25.26	0106473	47kΩ	2 B. 2B	S04	1170950	HIGH FILTER Switch	1 C
C21.22	0533339	3.3µF 25V E.C.	2 B. 2B	R27.28	0106222	2.2kΩ	2 B. 2C				
R01.02	0107103	10kΩ 1/4W C.R.	2 A. 2A	R29.30	0106562	5.6kΩ	2 B. 2B				
				R31.32	0106105	1MΩ	1 B. 1C				

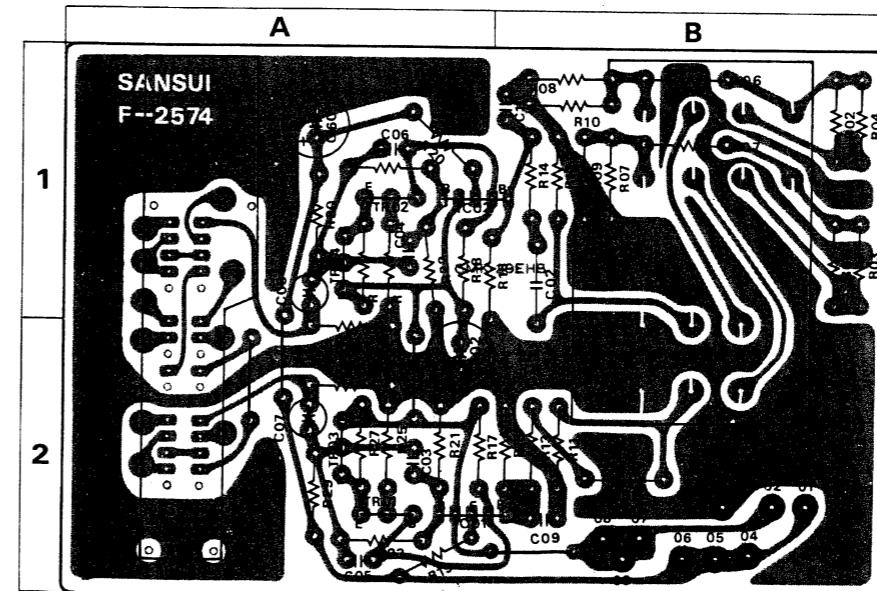
**5-6. F-2569 Input Terminal & Switch Circuit Board** AU-9900 (Stock No. 7592851)  
 AU-11000 (Stock No. 7592921)  
 Conductor Side



**Parts List**

Parts No.	Stock No.	Description	Position
R01.02	0107563	56kΩ	A. A
R03.04	0107473	47kΩ	A. A
R05.06	0107104	100kΩ	A. A
R07.08	0107333	33kΩ	A. A
R09.10	0107183	18kΩ	A. A
R11.12	0107102	1kΩ 1/4W C.R.	B. B
R13.14	0107102	1kΩ	B. B
R15.16	0107334	330kΩ	B. C B
R17.18	0107104	100kΩ	B. B
R19.20	0107183	18kΩ	A. A
S01	1190260	Input Selector Switch	A. B
S02	1110310	Pick-up Load Switch	A
S03	1110310	Sensitivity Switch	A
J01	2090030	Din Jack	B
	2410780	6P Pin Ass'y C type	
	2430260	2P Jack (white)	
	2430270	1P Jack (red)	

**5-8. F-2574 Buffer AMP. Circuit Board** AU-9900 (Stock No. 7592881)  
 AU-11000 (Stock No. 7592951)  
 Conductor Side

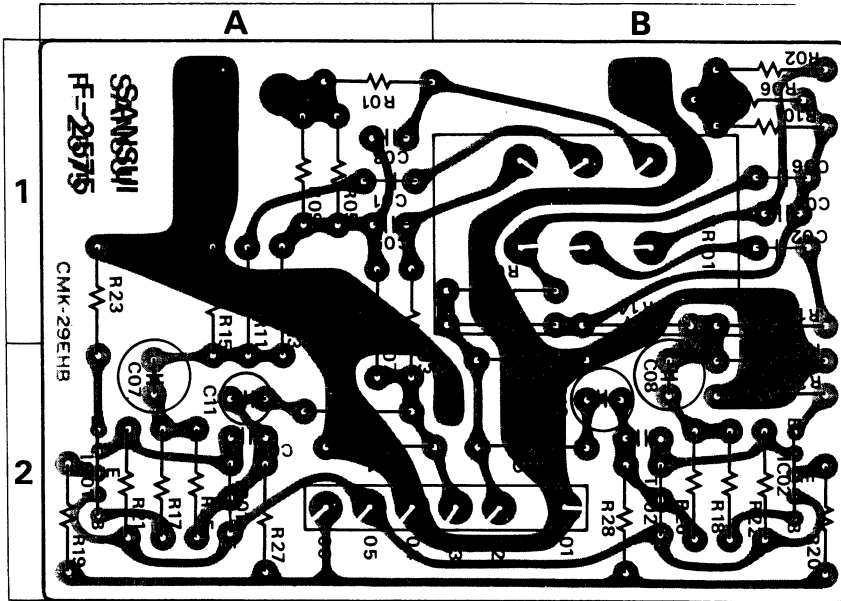


**Parts List**

Parts No.	Stock No.	Description	Position
TR01.02	0306070.1	25C1313 (F, G)	2 A. 1A
TR03.04	0306270.1	25C1708 (F, G)	2 A. 1A
IC01.02	0360290.1	25A798 (F, G) IC	2 A. B. 1A. B
C01.02	0601478	0.47µF 50V M.C.	2 B. 1B
C05.06	0660100	10µF 50V C.C.	2 A. 1A
C07.08	0533339	3.3µF 25V E.C.	2 A. 1A
C09.10	0660330	33µF 50V C.C.	2 B. 1B
C601	0515100	10µF	1 A
C602	0515100	10µF 50V E.C.	2 A
R01.02	0107224	220kΩ	1 B
R03.04	0107274	270kΩ	1 B
R05.06	0107563	56kΩ	1 B
R07.08	0107393	39kΩ	1 B
R09.10	0107473	47kΩ	1 B
R11.12	0107564	560kΩ	2 B. 1B
R13.14	0107332	3.3kΩ	2 B. 1B
R15.16	0107684	680kΩ	2 B. 1A
R17.18	0107103	10kΩ 1/4W C.R.	2 A. 1B
R19.20	0107124	120kΩ	2 A. 1B
R21.22	0107472	4.7kΩ	2 A. 1A
R23.24	0107273	27kΩ	2 A
R25.26	0107101	100Ω	2 A
R27.28	0107473	47kΩ	2 A
R29.30	0107682	6.8kΩ	2 A. 1A
R33.34	0107104	100kΩ	2 A
R35.36	0107471	470Ω	
VR01	1090120	250kΩ × 2 Volume	1, 2 B
S01	1190290	Tone & Filter Switch	1, 2 A

**5-9. F-2575 Tone·Midrange Circuit Board** AU-9900 (Stock No. 7561071)  
AU-11000 (Stock No. 7561121)

Couductor Side

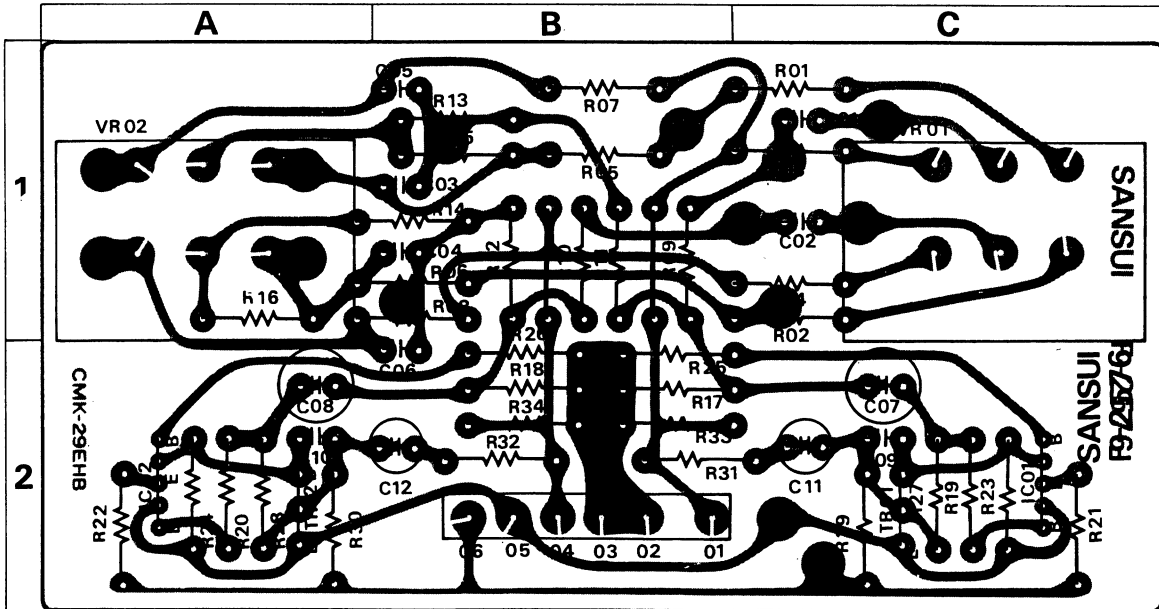


**Parts List**

Parts No.	Stock No.	Description	Position
TR01.02	0306270.1	2SC1708 (F, G) Transistor	1 B. 1A
IC01.02	0360290.1	2SA798 (F, G) IC	1 B. 1A
C01.02	0600686	0.0068μF	2 B. 2A
C03.04	0600107	0.01μF } 50V M.C.	2 B. 2A
C05.06	0600107	0.01μF	2 B. 2A
C07.08	0530470	47μF 6.3V E.C.	1 B. 1A
C09.10	0660680	68pF 50V C.C.	1 B. 1A
C11.12	0533339	3.3μF 25V E.C.	1 B. 1A
R01.02	0107472	4.7kΩ	2 B. 2A
R03.04	0107472	4.7kΩ	1,2B. 2A
R05.06	0107473	47kΩ	2 B. 2A
R07.08	0107473	47kΩ	1,2B. 2A
R09.10	0107105	1MΩ	2 B. 2A
R11.12	0107273	27kΩ	2 B. 2A
R13.14	0107223	22kΩ	2 B. 2A
R15.16	0107104	100kΩ	2 B. 1A
R17.18	0107102	1kΩ } 1/4W C.R.	1 B. 1A
R19.20	0107124	120kΩ	1 B. 1A
R21.22	0107682	6.8kΩ	1 B. 1A
R23.24	0107102	1kΩ	2 B. 1A
R25.26	0107105	1MΩ	1 B. 1A
R27.28	0107682	6.8kΩ	1 B. 1A
R29.30	0107101	100Ω	1 B. 1A
R31.32	0107104	100kΩ	1 B. 1A
VR01	1090150.1	50kΩ (B) × 2 MID, Range Volume 2A	
	2410700	6P Pin Ass'y F type	

**5-10. F-2576 Tone·Bass & Treble Circuit Board** AU-9900 (Stock No. 7561081)  
AU-11000 (Stock No. 7561131)

Couductor Side



**Parts List**

Parts No.	Stock No.	Description	Position	Parts No.	Stock No.	Description	Position	Parts No.	Stock No.	Description	Position
TR01.02	0306270.1	2SC1708 (F, G) Transistor	2 C. 2A	R03.04	0107332	3.3kΩ	1 C	R23.24	0107682	6.8kΩ	2 C. 2A
IC01.02	0360290.1	2SA798 (F, G)	2 C. 2A	R05.06	0107153	15kΩ	1 B	R25.26	0107102	1kΩ	2 B
C01.02	0620301	300pF 50V P.C.	1 C. 1C	R07.08	0107153	15kΩ	1 B	R27.28	0107105	1MΩ	2 C. 2A
C03.04	0600157	0.015μF } 50V M.C.	1 B. 1B	R09.10	0107153	15kΩ	1 B	R29.30	0107682	6.8kΩ	1/4W C.R.
C05.06	0600157	0.015μF	1 B. 2B	R11.12	0107273	27kΩ	1 B	R31.32	0107101	100Ω	2 B
C07.08	0530470	47μF 6.3V E.C.	2 C. 2A	R13.14	0107222	2.2kΩ	1 B	R33.34	0107104	100kΩ	2 B
C09.10	0660680	68pF 50V C.C.	2 C. 2A	R15.16	0107105	1MΩ	1 B. 2A				
C11.12	0533339	3.3μF 25V E.C.	2 C. 2B	R17.18	0107104	100kΩ	2 B	VR01	1090150.1	50kΩ (B) × 2 Treble Volume	1 C
R01.02	0107332	3.3kΩ 1/4W C.R.	1 C	R19.20	0107102	1kΩ	2 C. 2A	VR02	1090150.1	50kΩ (B) × 2 Bass Volume	1 A
				R21.22	0107124	120kΩ	2 C. 2A		2410700	6P Pin Ass'y F type	

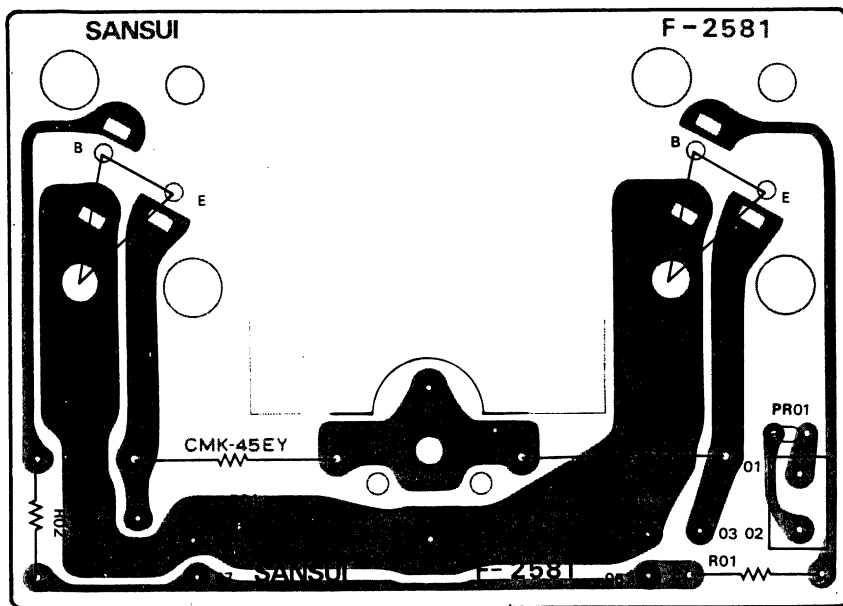
5-11. F-2581 Power AMP. (+) Circuit Board

AU-9900 (Stock No. 7592901)  
 AU-11000 (Stock No. 7592971)

5-12. F-2581 Power AMP. (-) Circuit Board

AU-9900 (Stock No. 7592911)  
 AU-11000 (Stock No. 7592981)

Conductor side



Parts List <+ Side>

Parts No.	Stock No.	Description
TR01	0305841.2	25C1116 (O. Y.)
TR02	0305841.2	25C1116 (O. Y.)
		Transistor
R01	0103479	4.7Ω
R02	0103479	4.7Ω
R03	0135338	0.33Ω
R04	0135338	0.33Ω
		5 W Ca.R.
	2030040	Power Transistor Socket

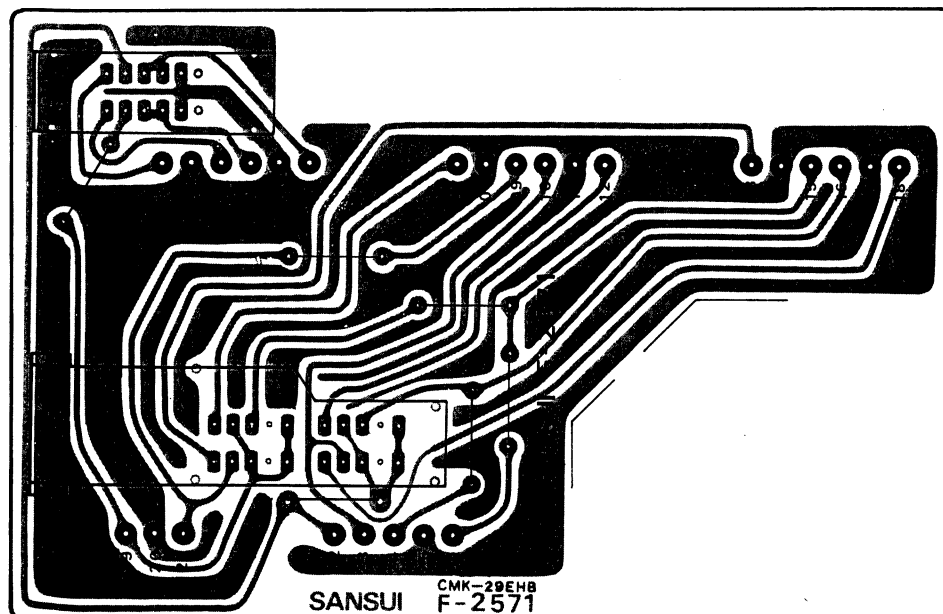
Parts List <- Side>

Parts No.	Stock No.	Description
TR01	0300521.2	25A747 (O. Y.)
TR01	0300521.2	25A747 (O. Y.)
		Transistor
PR01	0320120	Posistor 12.5V DC 500Ω
R01	0103479	4.7Ω
R02	0103479	3.7Ω
R03	0135338	0.03Ω
R04	0135338	0.03Ω
		5 W Ca.R.
	2030040	Power Transistor Socket
	2410650	2P Pin Ass'y D type

5-13. F-2571 Tape Copy & Tuner  
 Switch Circuit Board

AU-9900 (Stock No. 7592861)  
 AU-11000 (Stock No. 7592931)

Conductor Side

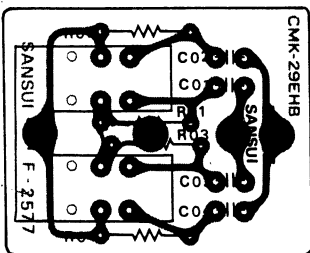


Parts List

Parts No.	Stock No.	Description
S01	1170870	Tuner Switch
S02	1190280	Tape Copy Switch

**5-14. F-2577 Tone Selector (Treble) Circuit Board**  
 AU-9900 (Stock No. 7561091)  
 AU-11000 (Stock No. 7561141)

Conductor Side

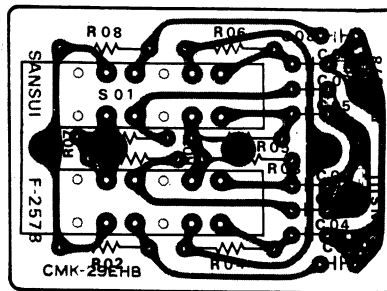


**Parts List**

Parts No.	Stock No.	Description
C01, 02	0620331	330pF
C03, 04	0620911	910pF
R01, 02	0107105	1MΩ
R03, 04	0107105	1MΩ
		1/4 W C.R.
S01	1131150	Tone Selector, Treble Switch

**5-15. F-2578 Tone Selector (Bass) Circuit Board**  
 AU-9900 (Stock No. 7561101)  
 AU-11000 (Stock No. 7561151)

Conductor Side

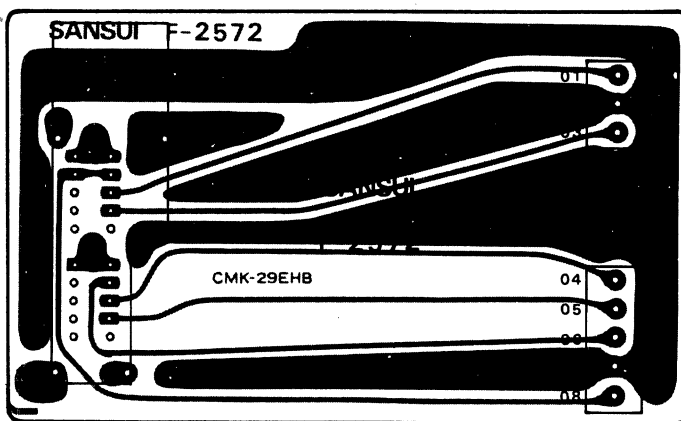


**Parts List**

Parts No.	Stock No.	Description
C01, 02	0600397	0.039μF
C03, 04	0600397	0.039μF
C05, 06	0600127	0.012μF
C07, 08	0600127	0.012μF
		50V M.C.
R01, 02	0107105	1MΩ
R03, 04	0107105	1MΩ
R05, 06	0107105	1MΩ
R07, 08	0107105	1MΩ
		1/4 W C.R.
S01	1131140	Tone Selector Switch

**5-16. F-2572 Tape Play Circuit Board**  
 AU-9900 (Stock No. 7592871)  
 AU-11000 (Stock No. 7592941)

Conductor Side

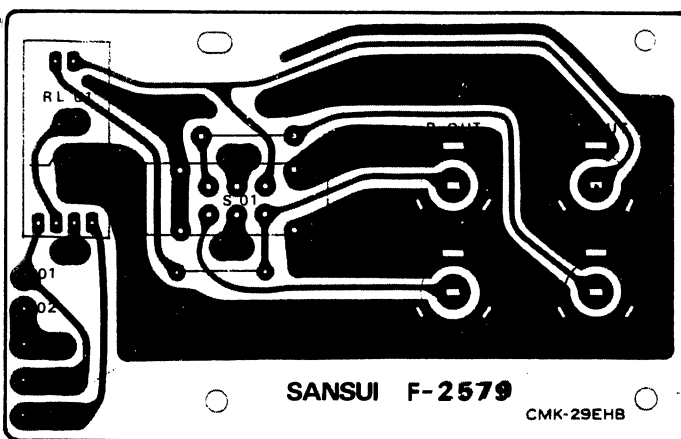


**Parts List**

Parts No.	Stock No.	Description
S01	1190270	Tape Play Switch
	2410760	3P Pin Ass'y
	2410780	6P Pin Ass'y

**5-17. F-2579 Pre-Main Switch Circuit Board**  
 AU-9900 (Stock No. 7592891)  
 AU-11000 (Stock No. 7592961)

Conductor Side



**Parts List**

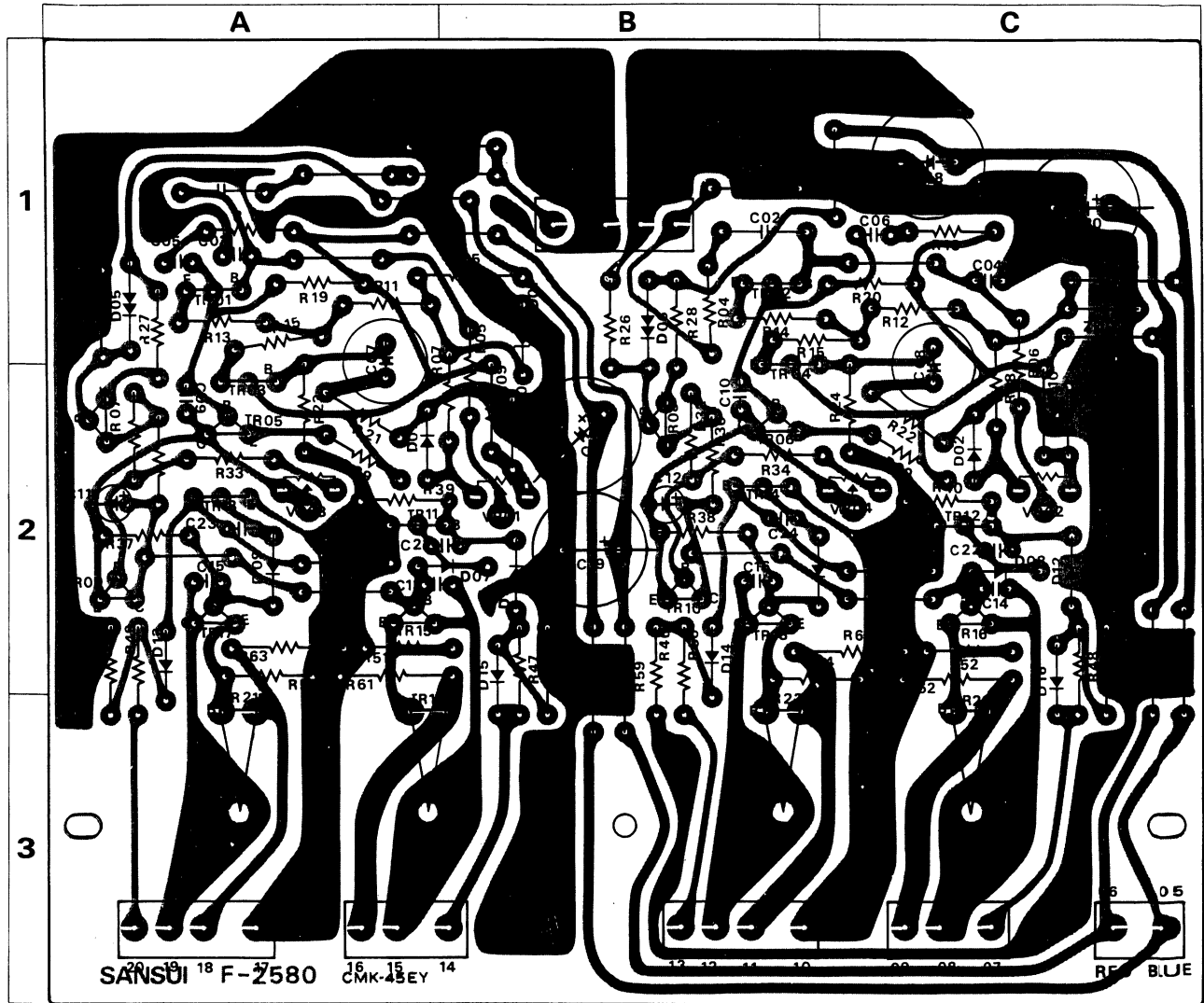
Parts No.	Stock No.	Description
R901, 902	0107473	47KΩ
RL01	1150320	Relay
S01	1110320	PRE-MAIN Switch
	2430260	1P Jack (white)
	2430270	1P Jack (red)

# 5-18. F-2580 Driver AMP. Circuit Board

AU-9900 (Stock No. 7571171)

AU-11000 (Stock No. 7571181)

## Couductor Side



### Parts List

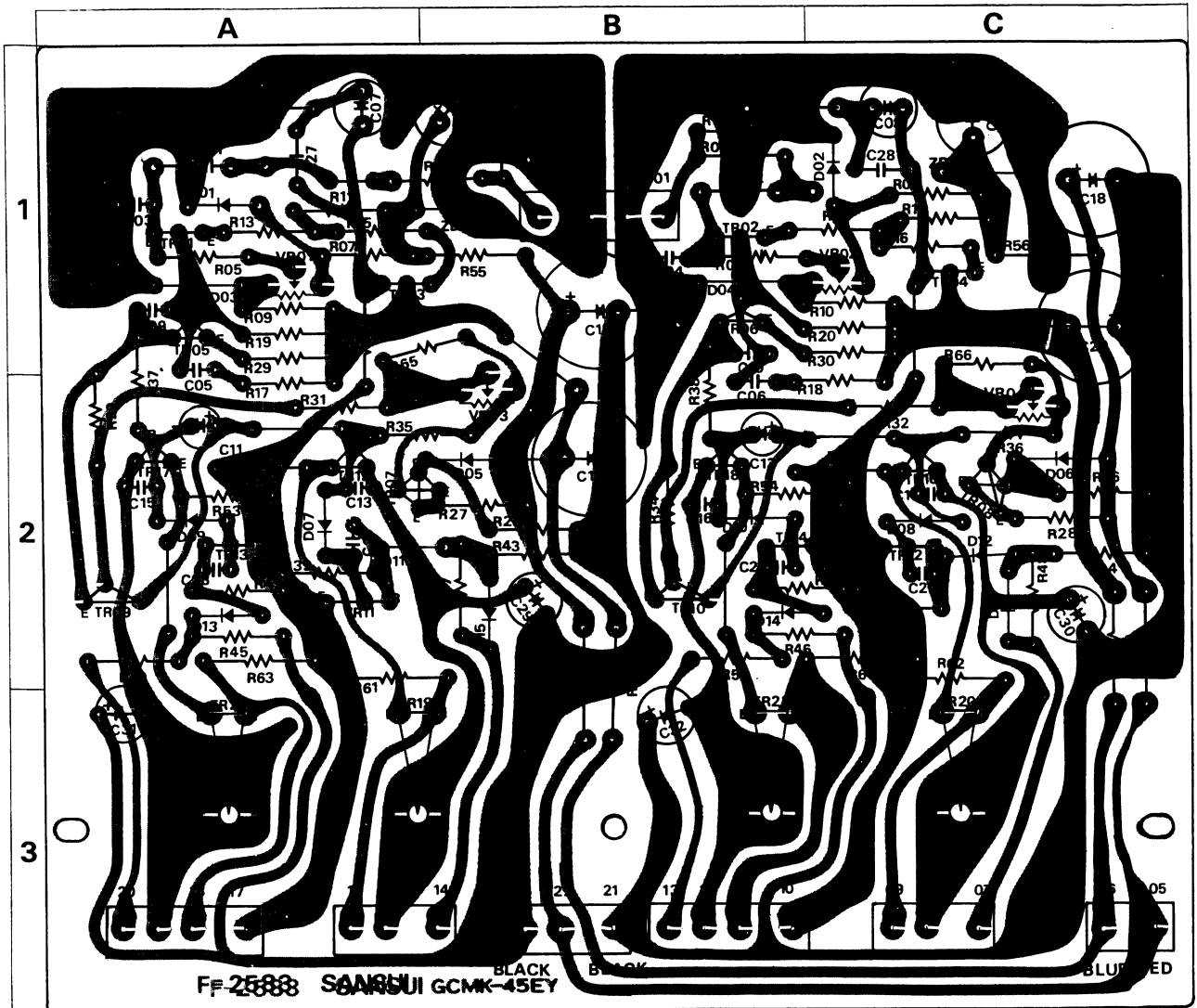
Parts No.	Stock No.	Description	Position	Parts No.	Stock No.	Description	Position	Parts No.	Stock No.	Description	Position	
TR01, 02	0300710, 1	2SA847 (F, G)	1A. 1 B	C05, 06	0660101	100pF 50V C.C.	1A. 1 C	R31, 32	0107562	5.6kΩ	1A. 2 B	
TR03, 04	0300710, 1	2SA847 (F, G)	2A. 1 B	C07, 08	0531101	100pF 10V E.C.	1,2A. 1,2C	R33, 34	0107102	1kΩ	1A. 2 B	
TR05, 06	0306260, 1	2SC1628 (O, Y)	2A. 2 B	C09, 10	0660220	22pF 50V C.C.	2A. 2 B	R35, 36	0107470	47Ω	1A. 2 B	
TR07, 08	0300700, 1	2SA818 (O, Y)	2A. 2 B	C11, 12	0515109	1μF 50V E.C.	2A. 2 B	R37, 38	0107102	1kΩ	1A. 2 B	
TR09, 10	0305871, 2	2SC984 (B, C)	2A. 2 B	C13, 14	0660330	33pF 50V C.C.	2A. 2 C	R39, 40	0107102	1kΩ	1A. 2 C	
TR11, 12	0305640, 1	2SC735 (O, Y)	2A. 2 C	C15, 16	0660330	33pF 50V C.C.	2A. 2 B	R41, 42	0107102	1kΩ	1A. 2 C	
TR13, 14	0300220, 1	2SA562 (O, Y)	2A. 2 B	C17, 18	0519903	100pF 80V E.C.	2B. 1 C	R43, 44	0107223	22kΩ	1B. 2 C	
TR15, 16	0305900, 1	2SC1124 (1, 2)	2A. 2 C	C19, 20	0519903	100pF 80V E.C.	2B. 1 C	R45, 46	0107223	22kΩ	1A. 2 B	
TR17, 18	0300480, 1	2SA706-5 (1, 2)	2A. 2 B					R47, 48	0107471	470Ω	1B. 2 C	
TR19, 20	0308441, 2	2SD382 (M, L)	3A. 3 C	R01, 02	0107474	470kΩ	1AB. 1 B	R49, 50	0107471	470Ω	1A. 2 B	
TR21, 22	0303271, 2	2SB537 (M, L)	3A. 3 B	R03, 04	0107103	10kΩ	1AB. 1 B	R51, 52	0107122	1.2kΩ	1A. 2 B	
D01, 02	0340090	Diode	2A. 2 C	R05, 06	0107154	150kΩ	1,2B. 1,2C	R53, 54	0107122	1.2kΩ	1A. 28C	
D03, 04	0340090		2B. 2 C	R07, 08	0107682	6.8kΩ	2B. 1,2C	R55, 56	0103123	12kΩ	1A. B. 1 C	
D05, 06	0310490		1A. 1 B	R09, 10	0107393	39kΩ	2B. 2 C	R57, 58	0103221	220Ω	1B. 2 C	
D07, 08	0311050		1S953	2AB. 2C	R11, 12	0107472	4.7kΩ	1A. 1 C	R59, 60	0103221	220Ω	1B. 2 C
D09, 10	0311050		1S953	2A. 2 B	R13, 14	0107470	47Ω	1A. 1 B	R61, 62	0103680	68Ω	1A. 2 C
D11, 12	0311050	1S953	2B. 2 C	R15, 16	0107470	47Ω	1A. 1 C	R63, 64	0103680	68Ω	1A. 2A, B	
D13, 14	0311050	1S953	2A. 2 B	R17, 18	0107221	220Ω	1A. 1 C					
D15, 16	0311050	1S953	2B. 2 C	R19, 20	0107182	1.8kΩ	1A. 1 C	VR01, 02	1031470, 1	5kΩ (B) DC 0V Volume	2B. 2 C	
ZD01, 02	0316250	RD-10E (B)	1B. 1 C	R21, 22	0107222	2.2kΩ	2A. 2 C	VR03, 04	1031441	1kΩ (B) Bias Current Volume	1A. 2 C	
C01, 02	0601478	0.47μF 50V M.C.	1A. 1 B	R23, 24	0107104	100kΩ	2A. 2 C					
C03, 04	0660470	47pF 50V C.C.	1A. 1 C	R25, 26	0107473	47kΩ	1A. 1 B					
				R27, 28	0107121	120Ω	1A. 1 B					
				R29, 30	0107121	120Ω	2A. 2 C					

\* Driver amplifier circuit board either F-2580, F-2583, is used in this model. When replacing the printed circuit board, use same type of the board for easy installation.

5-19. F-2583 Driver AMP. Circuit Board

AU-9900 (Stock No. 7571311)  
 AU-11000 (Stock No. 7571301)

Coundnctor Side



Parts List

Parts No.	Stock No.	Description	Position	Parts No.	Stock No.	Description	Position	Parts No.	Stock No.	Description	Position	
TR01, 02	0300470, 1	2SA726 (F, G)	1 A. 1 B	C07, 08	0531101	100µF 10V E.C.	1 A. 1 C	R27, 28	0107121	120Ω	2 B. 2 C	
TR03, 04	0300470, 1	2SA726 (F, G)	1 A.B. 1 C	C09, 10	0660220	22µF 50V C.C.	1 A. 1 B	R29, 30	0107121	120Ω	1 A. 1 C	
TR05, 06	0305900, 1	25C1124 (1, 2)	1 A. 1 B	C11, 12	0515109	1µF 50V E.C.	2 A. 2 B	R31, 32	0107222	2.2kΩ	2 A. 2 C	
	0306260, 1	25C1628 (O, Y)		C13, 14	0660330	33µF	50V C.C.	2 A. 2 C	R33, 34	0107102	1kΩ	2 A. 2 C
TR07, 08	0300700, 1	2SA818 (O, Y)	2 A.B. 2 C	C15, 16	0660330	33µF	50V C.C.	2 A. 2 B	R35, 36	0107470	47Ω 1/4W C.R.	2 A.B. 2 C
	0300770, 1	2SA896-1-1, 2		C17, 18	0519903	100µF	80V E.C.	1 B. 1 C	R37, 38	0107102	1kΩ	1,2 A. 1,2 B
TR09, 10	0305871, 2	25C984 (B, C)	2 A. 2 B	C19, 20	0519903	100µF	80V E.C.	R39, 40	0107102	1kΩ	2 A. 2 C	
TR11, 12	0305640, 1	25C735 (O, Y)	2 A. 2 C	C21, 22	0601106	0.001µF	50V M.C.	R41, 42	0107102	1kΩ	2 A. 2 B, C	
TR13, 14	0300220, 1	2SA562 (O, Y)	2 A. 2 B, C	C23, 24	0601106	0.001µF	50V M.C.	R43, 44	0107223	22kΩ	2 B. 2 C	
TR15, 16	0305900, 1	25C1124 (1, 2)	2 A. 2 C	C25, 26	0512221	220µF 16V E.C.	1 B. 1 C	R45, 46	0107223	22kΩ	2 A. 2 B, C	
TR17, 18	0300480, 1	25C706-S-1, 2	2 A. 2 B	C27, 28	0601108	0.1µF 50V M.C.	1 A. 1 C	R47, 48	0107471	470Ω	2 B. 2 C	
TR19, 20	0308441, 2	2SD382 (M, L)	3 A.B. 3 C	C29, 30	0516339	3.3µF	63VW E.C.	R49, 50	0107471	470Ω	2 A. 2 B	
TR21, 22	0303271, 2	2SB537 (M, L)	3 A. 3 B	C31, 32	0516339	3.3µF	63VW E.C.	R51, 52	0107122	1.2kΩ	2 A. 2 C	
D01, 02	0340090	DS-430	1 A. 1 C	R01, 02	0107474	470kΩ	1 B	R53, 54	0107122	1.2kΩ	2 A. 2 B, C	
	0340090	DS-430	1 A. 1 B	R03, 04	0107103	10kΩ	1 A.B. 1 B	R55, 56	0103562	5.6kΩ	1 B. 1 C	
	0340120	VD1212	2 B. 2 C	R05, 06	0107154	150kΩ	1 A. 1 B	R57, 58	0103221	220Ω	2,3 B. 2 C	
	0311050	1S953	2 A. 2 C	R07, 08	0107682	6.8kΩ	1 A. 1 C	R59, 60	0103221	220Ω	2,3 B. 2 C	
	0311050	1S953	2 A. 2 B	R09, 10	0107273	27kΩ	1 A. 1 C	R61, 62	0103680	68Ω	2 A. 2 C	
	0311050	1S953	2 A.B. 2 C	R11, 12	0107472	4.7kΩ	1 A. 1 C	R63, 64	0103680	68Ω	2 A. 2 C	
	0311050	1S953	2 A. 2 B	R13, 14	0107470	47Ω	1 A. 1 C	R65, 66	0107472	4.7kΩ	1 A. 1 C	
	0311050	1S953	2 B. 2 C	R15, 16	0107470	47Ω	1 A. 1 C	VR01, 02	1031470, 1	5kΩ (B)	DC 0V Volume	1 A. 1 C
D15, 16	0311050	1S953	1 B. 1 C	R17, 18	0107221	220Ω	2 A. 2 C	VR03, 04	1031480, 1	10kΩ (B)	Bias Current Volum	2 B. 2 C
RD01, 02	0316310	RD-13E (B)		R19, 20	0107821	820Ω	1 A. 1 C	2410580		3P Pin Ass'y D type		
C01, 02	0601478	0.47µF 50V M.C.	1 A. 1 B	R21, 22	0107222	2.2kΩ	1 A. 1 B, C	2410590		4P Pin Ass'y D type		
C03, 04	0660470	47µF	1 A. 1 B	R23, 24	0107104	100kΩ	1 A. 1 C	2410650		2P Pin Ass'y D type		
C05, 06	0660101	100µF	1 A. 2 B	R25, 26	0107473	47kΩ	2 B. 2 C	2410680		4P Pin Ass'y F type		

### 5-20. Figures Semiconductors

SEMICONDUCTORS	COMPLETE CIRCUIT BOARD	SEMICONDUCTORS	COMPLETE CIRCUIT BOARD	SEMICONDUCTORS	COMPLETE CIRCUIT BOARD	SEMICONDUCTORS	COMPLETE CIRCUIT BOARD
2SA733 2SC1364	F-2568	2SA706 2SC1124	F-2567 F-2580	IN60	F-2568	SS-5	F-2566
2SC984	F-2580	2SA747 2SC1116	F-2581	10D-1 10D-2	F-2567	SS-5R	F-2566
2SA726 2SA847 2SC1313 2SC1708	F-2567 F-2568 F-2570 F-2573 F-2574 F-2575 F-2576	2SA562 2SC735	F-2580	DS430 VD1212	F-2580		
2SB526	F-2567 F-2568	2SA818 2SC1628	F-2580	SV-02	F-2568 F-2580		
2SB537 2SD356 2SD382	F-2567 F-2568 F-2580	2SA798	F-2570 F-2574 F-2575 F-2576	RD-10E RD-13E RD-39E	F-2567 F-2568 F-2580		

### Connector & Pin Ass'y

#### Connector

Type A (3~10 pins)	Type B (2~6 pins)	Stock No.
		2 Pins 2420250
		3 Pins 2420220
		4 Pins 2420230
		5 Pins 2420210
		6 Pins 2420240

NOTE: Since stock number of female connectors (type B) with wires are not shown in each parts list of Complete circuit board, please refer to the above parts list when ordering the connector.

#### Pin Ass'y

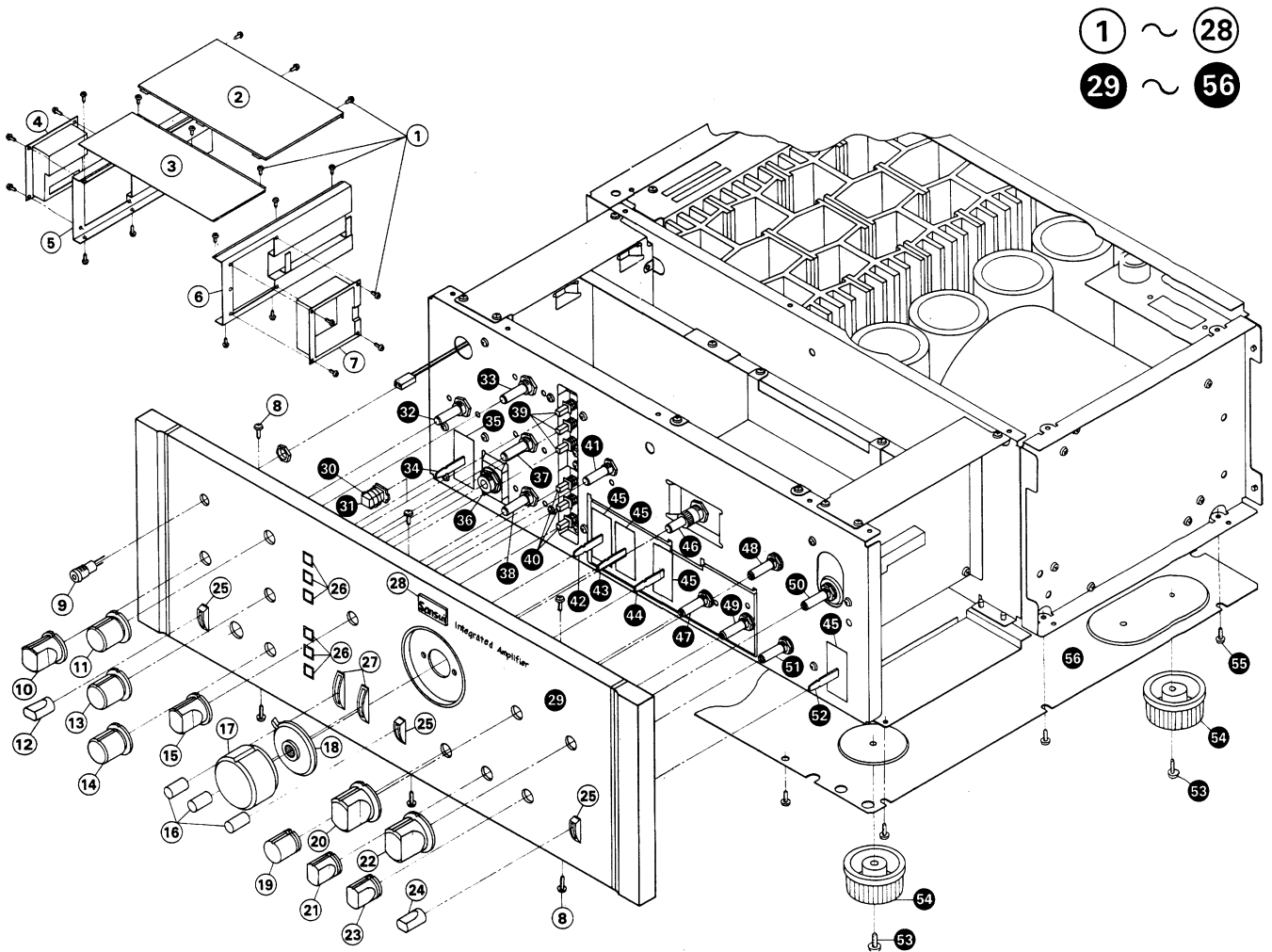
Type A (3~10 pins) 	Type B (3~10 pins) 	Type C (3~10 pins) 
Type D (2~6 pins) 	Type E (2~6 pins) 	Type F (2~6 pins) 

#### —Abbreviations—

<b>C.R.</b> : Carbon Resistor	<b>BP.E.C.:</b> Bi-Polar Electrolytic Capacitor
<b>S.R.</b> : Solid Resistor	<b>C.C.</b> : Ceramic Capacitor
<b>Ce.R.</b> : Cement Resistor	<b>Mi.C.</b> : Mica Capacitor
<b>M.R.</b> : Metallized Film Resistor	<b>O.C.</b> : Oil Capacitor
<b>M.C.</b> : Mylar Capacitor	<b>P.C.</b> : Polystyrene Capacitor
<b>E.C.</b> : Electrolytic Capacitor	<b>T.C.</b> : Tantalum Capacitor



### 5-21. Other Parts (Front Side)

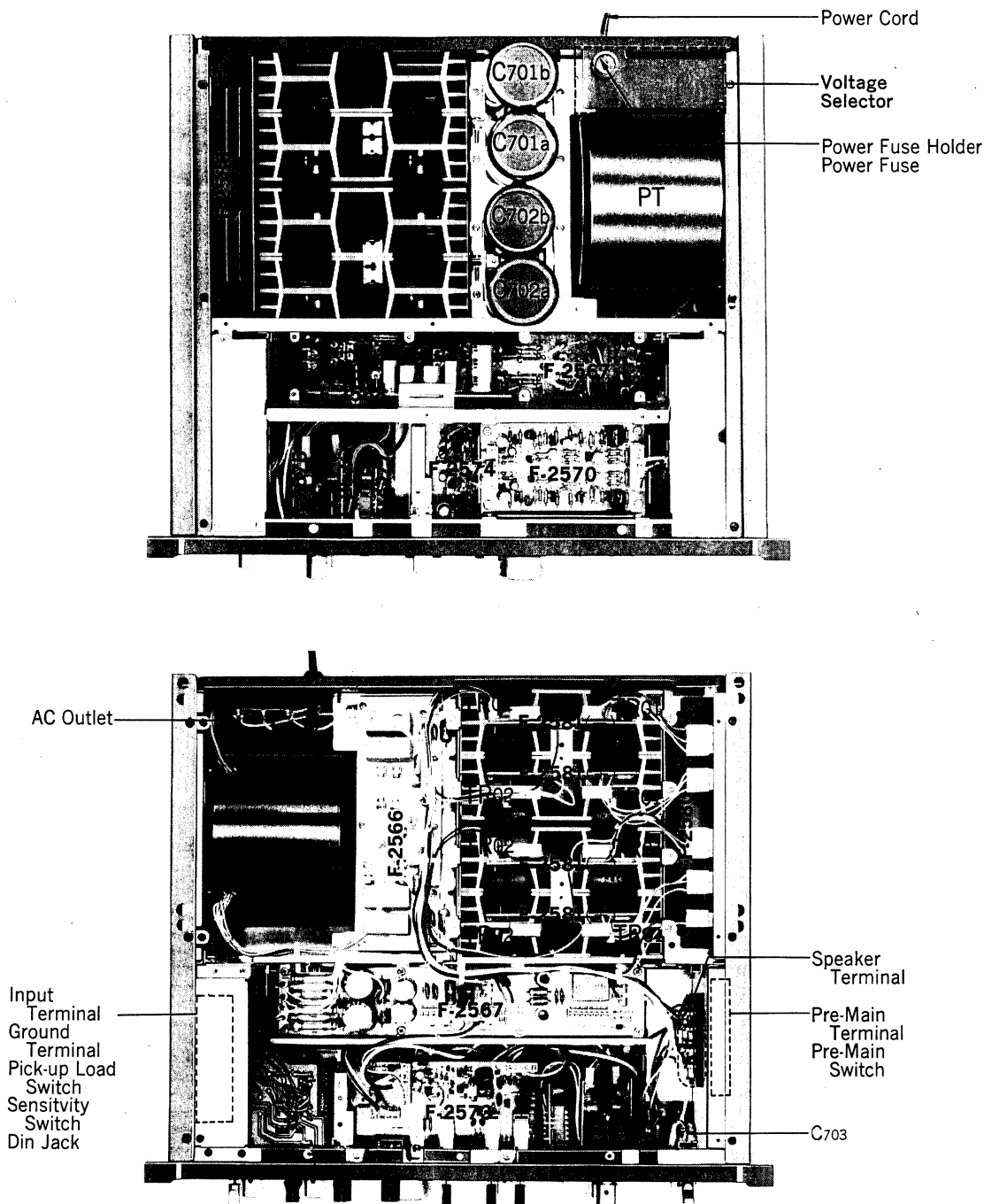


#### Parts List

Parts No.	Stock No.	Description
1	5109222	Binding Head Tapping Screw M3×8
2	5006470	Bonnet (A)
3	5006520	Bonnet (B)
4	5287420	Output Terminal Base
5	5304080	Side Bonnet L-CH
6	5304090	Side Bonnet R-CH
7	5287410	Input Terminal Base
8	5109222	Binding Head Tapping Screw M3×8
9	7726140	LED Ass'y, Protector Indicator
10	5318260	C-6 Type Knob, Speaker Switch
11	5318251	B-6 Type Knob, Treble Volume
12	5326510	E-2 Type Knob, Power Switch
13	5318251	B-6 Type Knob, Midrange Volume
14	5318251	B-6 Type Knob, Bass Volume
15	5318260	C-6 Type Knob, Tone & Filter Switch
16	5326520	E-3 Type Knob, Filter & Muting Switch
17	5318360	G-6 Type Knob, Volume
18	5326540	Level Set Knob
19	5318270	D-6 Type Knob, Balance Volume
20	5318370	H-6 Type Knob, Tape Play Switch
21	5318280	F-6 Type Knob, Mode Switch
22	5318370	H-6 Type Knob, Input Selector
23	5318280	F-6 Type Knob, Tape Copy Switch
24	5326510	E-2 Type Knob, Tuner Switch
25	5286731	Lever Guide (1)
26	5286721	Knob Guide
27	5286741	Lever Guide (2)
28	5336580	Sansui Mark
29	7007140	Panel Ass'y (AU-11000)
	7007150	Panel Ass'y (AU-9900)

Parts No.	Stock No.	Description
30	6906480	Spring, Push Knob
31	5326530	Push Knob
32	1101700, 1	Rotary Switch, Speakers Switch
33	1090150, 1	50kΩ × 2, Treble Volume
34	1170330	Lever Switch, Power
35	5047470	Masking, Lever Switch
36	2430190	Headphone Jack
37	1090150, 1	50kΩ × 2, Midrange Volume
38	1090150, 1	50kΩ × 2, Bass Volume
39	1131150	Push Switch, Tone Selector (Treble)
40	1131140	Push Switch, Tone Selector (Bass)
41	1190290	Tone & Filter Switch
42	1170950	Low Filter Switch
43	1170950	High Filter Switch
44	1170770	Lever Switch, Muting
45	5047470	Masking, Lever Switch
46	1090120	250kΩ, Volume
47	1015170, 1	250kΩ, Balance Volume
48	1190270	Tape Play Switch
49	1190250	Mode Switch
50	1190260	Input Selector
51	1190280	Tape Copy Switch
52	1170870	Lever Switch, Tuner
53	5101161	Binding Head Screw, M4×10
54	5517050	Leg
55	5109222	Binding Head Tapping Screw, M3×8
56	5058491	Bottom Plate

### 5-22. Other Parts (Top & Bottom Side)



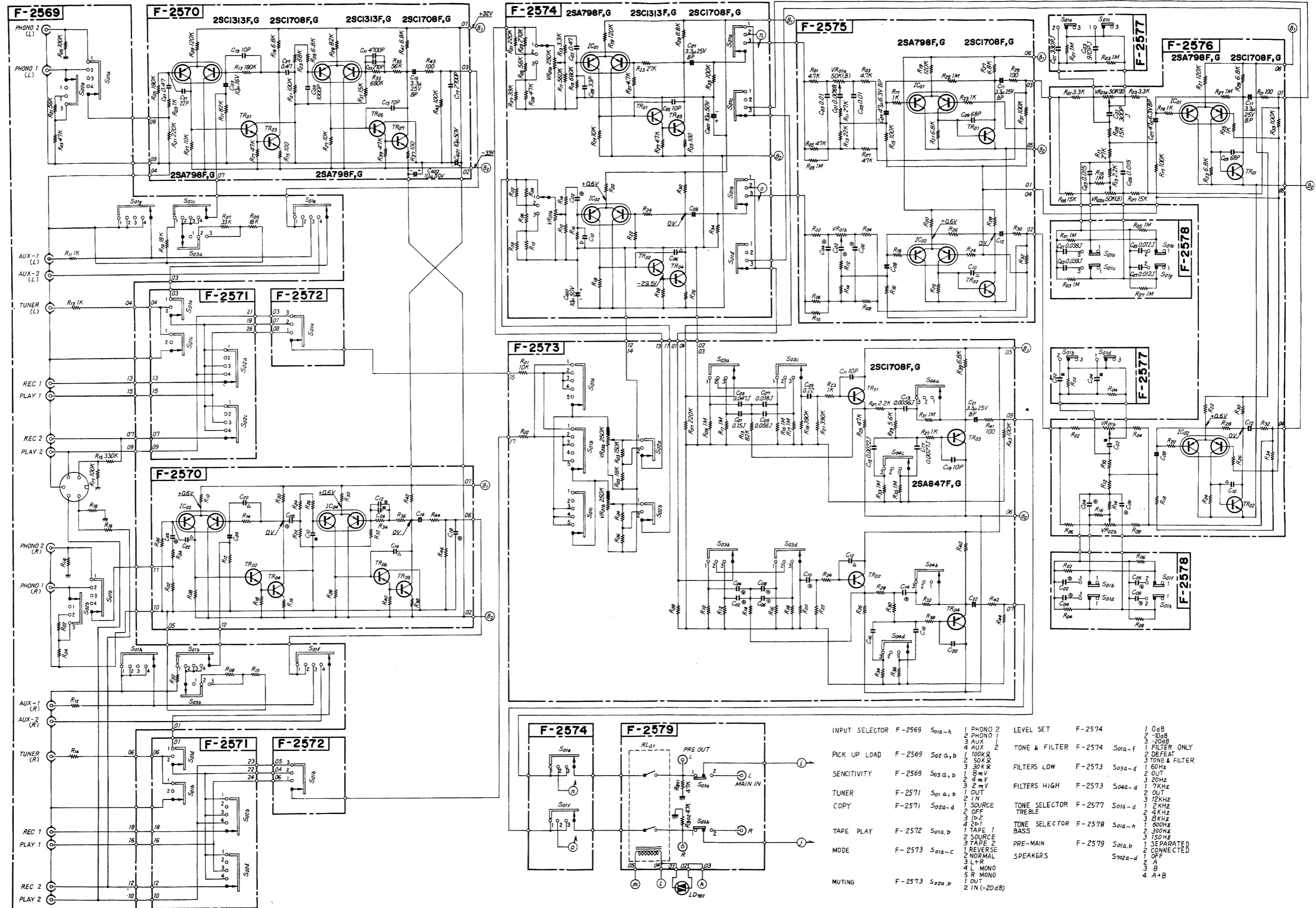
#### Parts List

Parts No.	Stock No.	Description
F-2581 (+ Side)		
TR01, 02	0305841, 2	25C1116
F-2581 (- Side)		
TR01, 02	0300521	25A747
C701, 702	0559514	10000µF 63V×2 E.C. (AU-11000)
C701, 702	0559513	6800µF 63V×2 E.C. (AU-9900)
C703	0659801	0.1µF 150V C.C.
F701	0431280	5A 250V (AC 100V~120V)
	0431320	10A 250V (AC 220V~240V)
	2300060	Power Fuse Holder
	3800250	Power Cord
	2290150	Ground Terminal
	2410091	Voltage Selector plug

Parts No.	Stock No.	Description
	2410830	Voltage Selector Socket
	2090030	Din Jack
	1110310	Pick-up Load Switch
	1110310	Sensitivity Switch
	1110320	Pre-Main Switch
	2430270	Pre-Main Terminal (red)
	2430260	Pre-Main Terminal (white)
	2290160	Speaker Terminal
	2450060	AC Outlet
	2430270	Input Terminal (red)
	2430260	Input Terminal (white)
	4002280	Power Transformer (AU-11000)
	4002290	Power Transformer (AU-9900)

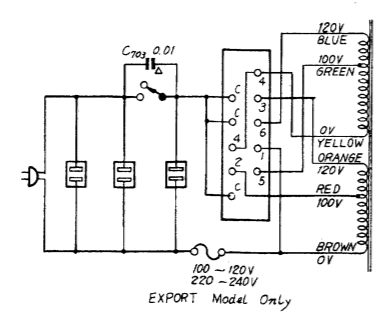
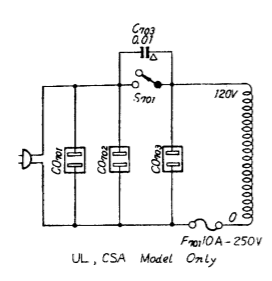
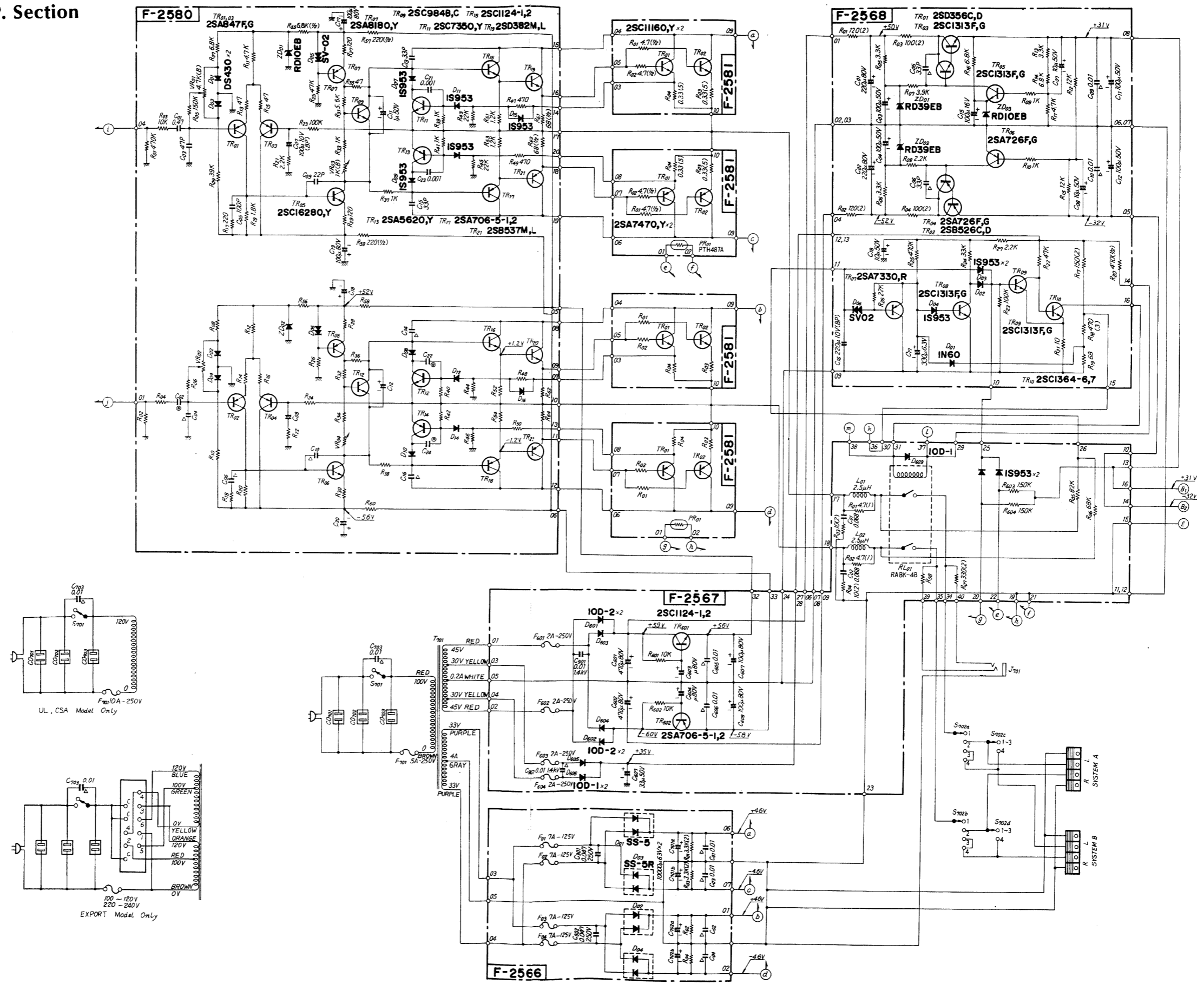
# 6. SCHEMATIC DIAGRAM / 6-1. AU-9900 Pre AMP. Section

\* La présentation et les spécifications sont susceptibles d'être modifiées sans préavis par suite d'améliorations éventuelles.  
 \* Änderungen, die dem technischen Fortschritt dienen, bleiben vorbehalten.  
 \* Design and specification subject to change without notice for improvements.



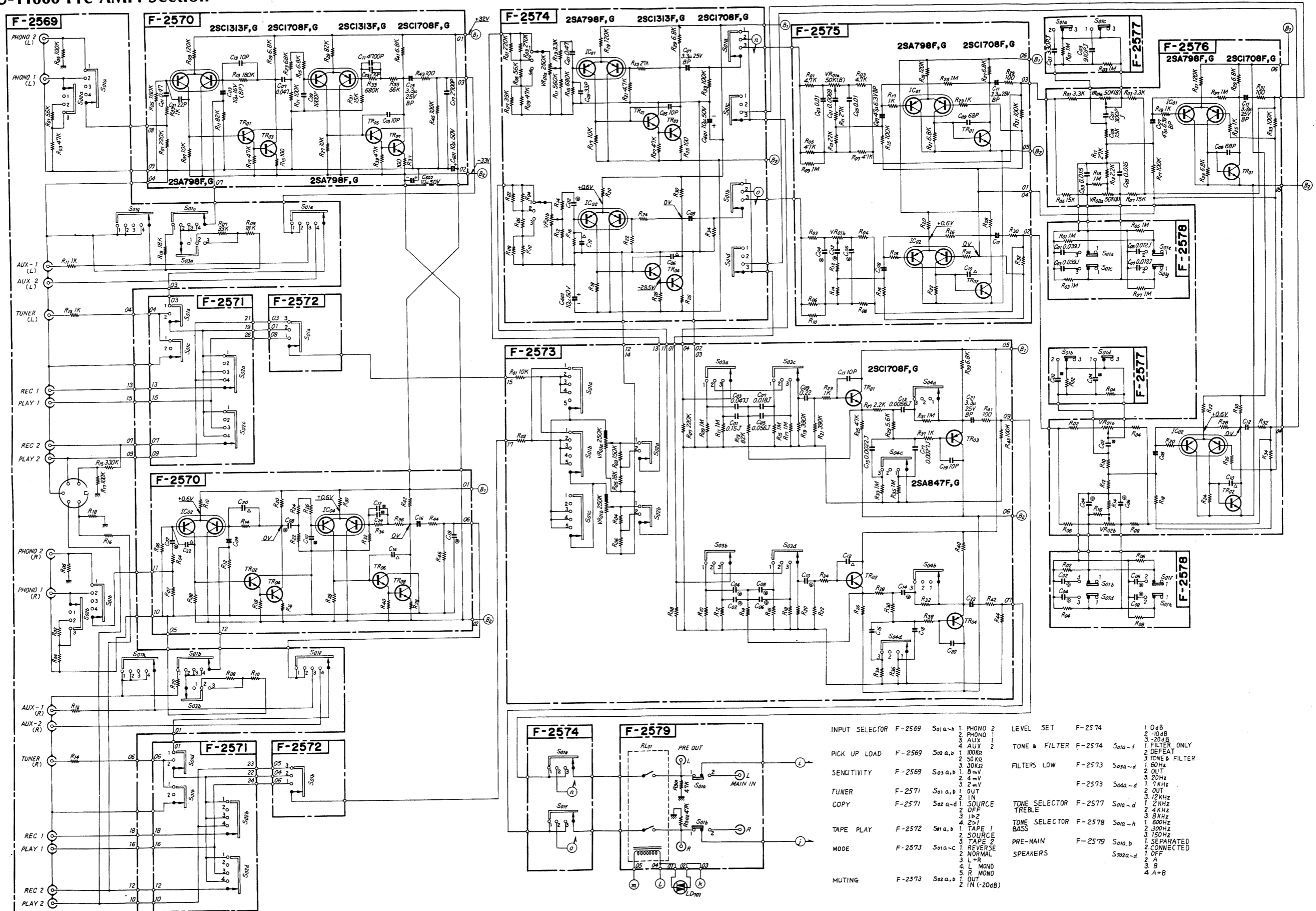
- |                |        |        |   |
|----------------|--------|--------|---|
| INPUT SELECTOR | F-2569 | S01a-h | 1 PHONO 2<br>2 PHONO 1<br>3 AUX 1<br>4 AUX 2                    |
| PICK UP LOAD   | F-2569 | S02a,b | 1 100K Ω<br>2 50K Ω<br>3 30K Ω<br>4 10K Ω                       |
| SENSITIVITY    | F-2569 | S03a,b | 1 0mV<br>2 5mV<br>3 10mV<br>4 100mV                             |
| TUNER          | F-2571 | S01a,b | 1 OUT<br>2 IN   |
| COPY           | F-2571 | S02a-d | 1 SOURCE<br>2 OFF<br>3 TAPE 1<br>4 TAPE 2                       |
| TAPE PLAY      | F-2572 | S01a,b | 1 TAPE 1<br>2 SOURCE<br>3 TAPE 2                                |
| MODE           | F-2573 | S01a-c | 1 REVERSE<br>2 NORMAL<br>3 L F<br>4 L MONO<br>5 R MONO          |
| MUTING         | F-2573 | S02a,b | 1 OUT<br>2 IN (-20dB)   |
| LEVEL SET      | F-2574 | S01a-f | 1 0dB<br>2 +20dB<br>3 +40dB<br>4 FILTER ONLY<br>5 TONE & FILTER |
| TONE & FILTER  | F-2574 | S01a-f | 1 DEFEAT<br>2 TONE & FILTER<br>3 60Hz<br>4 20Hz<br>5 10Hz       |
| FILTERS LOW    | F-2573 | S03a-d | 1 20Hz<br>2 10Hz<br>3 5Hz<br>4 OFF                              |
| FILTERS HIGH   | F-2573 | S04a-d | 1 12KHz<br>2 2KHz<br>3 4KHz<br>4 8KHz                           |
| TONE SELECTOR  | F-2577 | S01a-d | 1 100Hz<br>2 200Hz<br>3 400Hz<br>4 800Hz                        |
| TREBLE         | F-2577 | S01a-d | 1 100Hz<br>2 200Hz<br>3 400Hz<br>4 800Hz                        |
| TONE SELECTOR  | F-2578 | S01a-h | 1 600Hz<br>2 300Hz<br>3 150Hz<br>4 75Hz                         |
| BASS           | F-2578 | S01a-h | 1 600Hz<br>2 300Hz<br>3 150Hz<br>4 75Hz                         |
| PRE-MAIN       | F-2579 | S01a,b | 1 SEPARATED<br>2 CONNECTED                                      |
| SPEAKERS       | F-2579 | S02a-d | 1 OFF<br>2 A<br>3 B<br>4 A+B                                    |

6-2. AU-990 Power AMP. Section



6-3. AU-11000 Pre AMP. Section

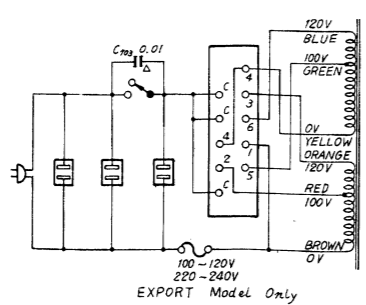
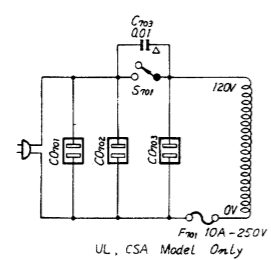
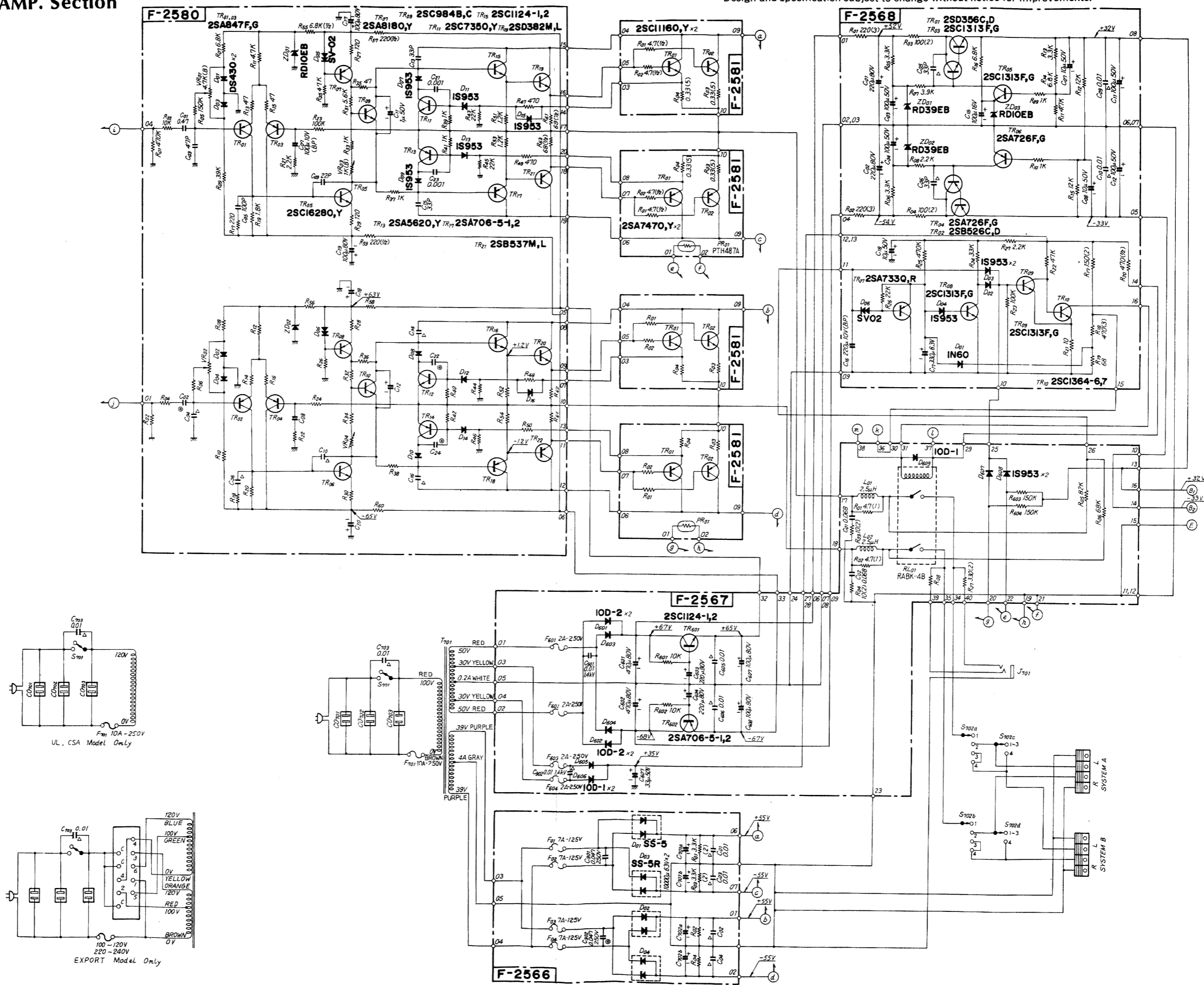
\* La présentation et les spécifications sont susceptibles d'être modifiées sans préavis par suite d'améliorations éventuelles.  
 \* Änderungen, die dem technischen Fortschritt dienen, bleiben vorbehalten.  
 \* Design and specification subject to change without notice for improvements.



INPUT SELECTOR	F-2569	S01a-h	1. PHONO 2 2. PHONO 1 3. AUX 1 4. AUX 2
PICK UP LOAD	F-2569	S02a,b	1. 100KΩ 2. 50KΩ 3. 30KΩ 4. 20KΩ
SENSITIVITY	F-2569	S03a,b	1. 8mV 2. 4mV 3. 2mV
TUNER	F-2571	S01a,b	2. IN
COPY	F-2571	S02a-d	1. SOURCE 2. OFF 3. 1P2 4. 2P1
TAPE PLAY	F-2572	S01a,b	1. TAPE 1 2. SOURCE 3. TAPE 2
MODE	F-2573	S01a-c	1. REVERSE 2. NORMAL 3. L+R 4. R 5. MONO
MUTING	F-2573	S02a,b	1. OUT (-20dB) 2. IN
LEVEL SET	F-2574		1. 0dB 2. -10dB 3. -20dB
TONE & FILTER	F-2574	S01a-f	1. FILTER ONLY 2. DEFEAT 3. TONE & FILTER
FILTERS LOW	F-2573	S03a-d	1. 60Hz 2. OUT 3. 20Hz 4. OUT
TONE SELECTOR	F-2577	S01a-d	1. 2KHz 2. 4KHz 3. 8KHz
TREBLE	F-2577	S01a-d	1. 600Hz 2. 300Hz 3. 150Hz
TONE SELECTOR	F-2578	S01a-h	1. 600Hz 2. 300Hz 3. 150Hz
BASS	F-2578	S01a-h	1. 600Hz 2. 300Hz 3. 150Hz
PRE-MAIN	F-2579	S01a,b	1. SEPARATED 2. CONNECTED
SPEAKERS	F-2579	S02a-d	1. OFF 2. A 3. B 4. A+B

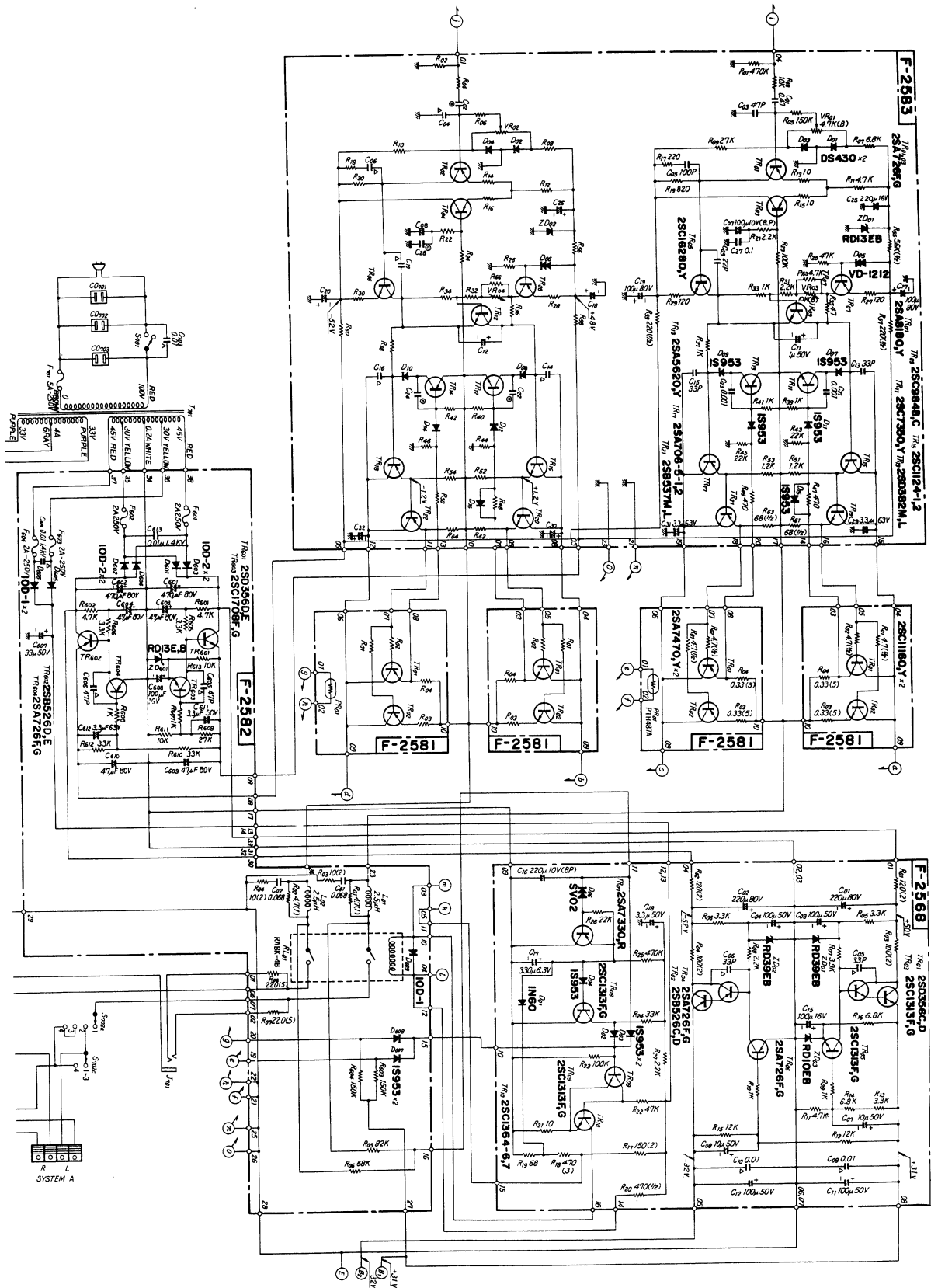
6-4. AU-11000 Power AMP. Section

\* La présentation et les spécifications sont susceptibles d'être modifiées sans préavis par suite d'améliorations éventuelles.  
 \* Änderungen, die dem technischen Fortschritt dienen, bleiben vorbehalten.  
 \* Design and specification subject to change without notice for improvements.



6-5. F-2582, F-2583

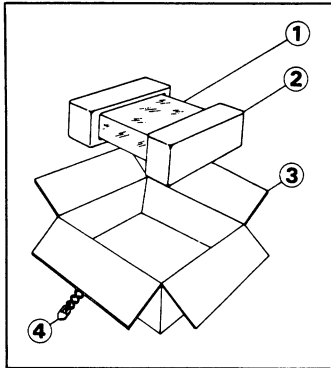
\* Power supply circuit board either F-2567 or F-2582 is used and driver amplifier either F-2580 or F-2583 is used in this model.



---

## 7. PACKING LIST

Parts No.	Stock No.	Description
1	9116051	Vinyl Cover
2	9027910	Stylofoam Packing
3	9009040	Carton Case (AU-9900)
	9009070	Carton Case (AU-11000)
4	5996080	Curl Stopper



---

## 8. ACCESSORY PARTS LIST

Parts No.	Stock No.	Description
	9209230	Operating Instructions (AU-9900)
	9209210	Operating Instructions (AU-11000)
	2410560	Short Pin Plug
	9237010	Schematic Diagram (AU-11000)
	9237020	Schematic Diagram (AU-9900)



**SANSUI ELECTRIC CO., LTD.**  
14-1, 2-chome, Izumi, Suginamiku, Tokyo 168, Japan.  
TELEPHONE: (03) 323-1111 / TELEX: 232-2076