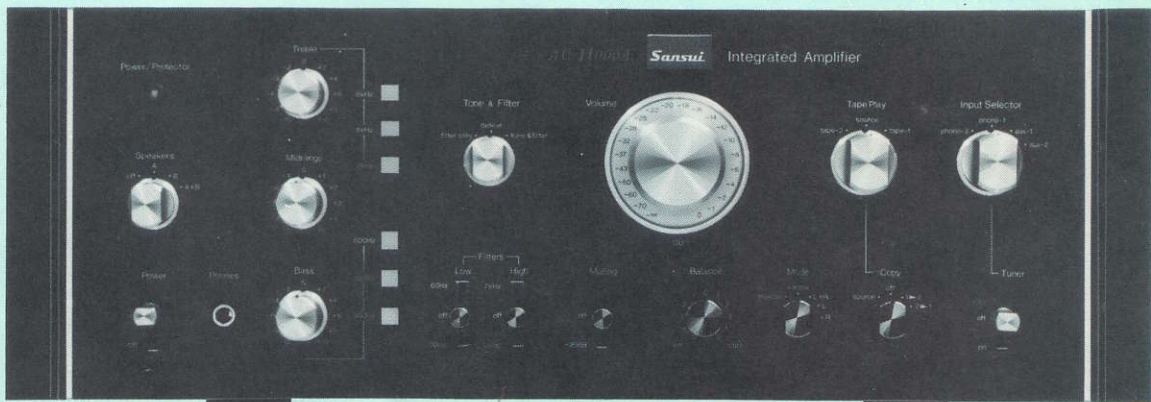


# SERVICE MANUAL

INTEGRATED STEREO AMPLIFIER

**SANSUI AU-9900A/11000A**

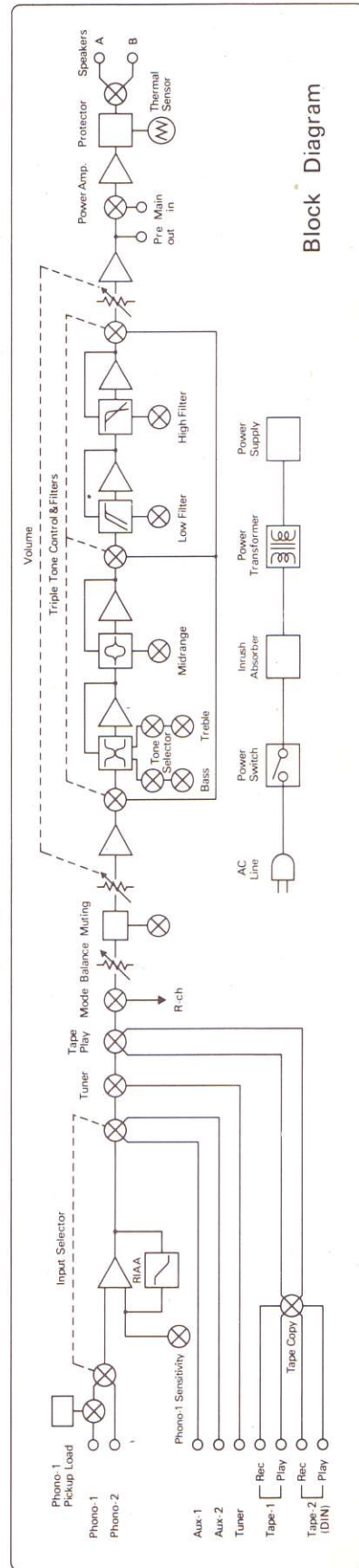


SANSUI ELECTRIC CO., LTD.

# TABLE OF CONTENTS

| Section | Title   | Page       |
|---------|---|------------|
| 1.      | <b>BLOCK DIAGRAM</b>                                  | 1          |
| 2.      | <b>SPECIFICATIONS</b>                                 | 2          |
| 3.      | <b>PARTS LOCATION &amp; PARTSLIST</b>                 | 3          |
| 3- 1.   | F-2569 Input Terminal & Switch Board                  | 3          |
| 3- 2.   | F-2660 Level Volume Circuit Board                     | 3          |
| 3- 3.   | F-2691 Equalizer Circuit Board                        | 4          |
| 3- 4.   | F-2573 Filter Accessory Circuit Board                 | 4          |
| 3- 5.   | F-2577 Treble Tone Selector Circuit Board             | 5          |
| 3- 6.   | F-2578 Bass Tone Selector Circuit Board               | 5          |
| 3- 7.   | F-2571 Tape Copy & Tuner Signal Switching             | 5          |
| 3- 8.   | F-2572 Tape Play Circuit Board                        | 5          |
| 3- 9.   | F-2575 Midrange Tone Control                          | 6          |
| 3-10.   | F-2579 Pre-Main Switch Circuit board                  | 6          |
| 3-11.   | F-2576 Bass & Treble Tone Control<br>Circuit Board    | 6          |
| 3-12.   | F-2581 Final Stage Circuit Board                      | 6          |
| 3-13.   | F-2661 Driver Circuit Board                           | 7          |
| 3-14.   | F-2629 Power Supply Circuit Board                     | 7          |
| 3-15.   | F-2630 Power Supply Circuit Board for<br>Driver Stage | 8          |
| 4.      | <b>OTHER PARTS</b>                                    | 9          |
| 4- 1.   | Top & Bottom View                                     | 9          |
| 4- 2.   | Exploded View   | 10         |
| 5.      | <b>ADJUSTMENTS</b>                                    | 11         |
| 5- 1.   | Bias Current Adjnstment                               | 11         |
| 6.      | <b>SCHEMATIC DIAGRAM</b>                              | 12         |
| 6- 1.   | AU-9900A/11000A Pre AMP. Section                      | 12         |
| 6- 2.   | AU-9900A Power AMP. Section                           | 13         |
| 6- 3.   | AU-11000A Power AMP. Section                          | 14         |
| 6- 4.   | AU-9900A Power Supply Section                         | 15         |
| 6- 5.   | AU-11000A Power Supply Section                        | 15         |
| 7.      | <b>PACKING LIST</b>                                   | back cover |
| 8.      | <b>ACCESSORY PARTS LIST</b>                           | back cover |

# 1. BLOCK DIAGRAM



## 2. SPECIFICATIONS

### POWER OUTPUT

Min. RMS, both channels driven, from 20 to 20,000Hz, with no more than 0.05% total harmonic distortion

|           |   |   |
|-----------|---|---|
| AU-9900A  | } | 80 watts per channel into 8 ohms  |
|           |   | 80 watts per channel into 4 ohms  |
|           |   | Min. RMS, both channels driven, at 1,000 Hz with no more than 0.05% total harmonic distortion |
|           |   | 80 watts per channel into 8 ohms<br>80 watts per channel into 4 ohms                          |
| AU-11000A | } | 110 watts per channel into 8 ohms   |
|           |   | 110 watts per channel into 4 ohms   |
|           |   | Min RMS, both channels driven at 1,000 Hz, with no more than 0.05% total harmonic distortion  |
|           |   | 110 watts per channel into 8 ohms<br>110 watts per channel into 4 ohms                        |

LOAD IMPEDANCE ..... 4.8 ohms (SYSTEM-A or B)  
8 ohms (SYSTEM A + B)

POWER BANDWIDTH..... 20 to 20,000 Hz at or below rated min. RMS power output and total harmonic distortion

TOTAL HARMONIC DISTORTION ..... less than 0.05% at or below rated min. RMS power output

INTERMODULATION DISTORTION (70Hz:7kHz=4:1 SAMPT method) ..... less than 0.05%

FREQUENCY RESPONSE (at 1 watt) ..... 5 to 80,000 Hz  $\pm 1.5$  dB

DAMPING FACTOR..... approximately 70 at 8 ohm load

RIAA CURVE DEVIATION (PHONO) .....  $\pm 0.2$ dB,  $-0.2$ dB (30 Hz to 15 kHz)

### INPUT SENSITIVITY AND IMPEDANCE (1 kHz, for rated power output)

PHONO-1 ..... 2, 4, 8 mV/30, 50, 100 kilohms (Max. input capability: 1,000 mV at 1 kHz, less than 0.1% total harmonic distortion and PHONO-1 SENSITIVITY switch at 8 mV)

PHONO-2 ..... 2 mV/50 kilohms (Max. input capability: 250 mV at 1 kHz, less than 0.1% total harmonic distortion)

AUX-1, 2 TAPE ..... 150 mV/50 kilohms

### OUTPUT LEVEL (1,000 Hz)

TAPE-1, 2 REC (pin jacks) ..... 150 mV/560 ohms  
TAPE-2 REC/PLAY (DIN socket)..... 30 mV/70 kilohms  
PRE OUT ..... 1 V/560 ohms

### CHANNEL SEPARATION (1 kHz, at rated power output)

PHONO-1, 2 ..... better than 60dB  
AUX-1, 2 ..... better than 60dB

### HUM AND NOISE (short-circuit, A-network)

PHONO-1 ..... 75dB (PHONO-1 SENSITIVITY Switch at 4 mV)  
AUX-1, 2 ..... better than 90 dB

### CONTROLS

|                                    |  |
|------------------------------------|--|
| BASS.....                          | $\pm 10$ dB (30 Hz)                                |
| Tone selector (turnover frequency) | ..... 150, 300, 600 Hz                             |
| MIDRANGE .....                     | $\pm 5$ dB (1 kHz)                                 |
| TREBLE.....                        | $\pm 10$ dB (20 kHz)                               |
| Tone selector (turnover frequency) | ..... 2, 4, 8 kHz                                  |
| LOW FILTER .....                   | -3dB (20, 60 Hz), 12dB/oct.                        |
| HIGH FILTER .....                  | -3dB (7 kHz), 6dB/oct.<br>-3dB (12 kHz), 12dB/oct. |

MUTING..... -20dB

### POWER REQUIREMENTS

|                     |                                 |
|---------------------|---------------------------------|
| POWER VOLTAGE ..... | 100, 120, 220, 240V (50/60Hz)   |
|                     | 120V (Usable 110-130V)          |
|                     | 60Hz (for U.S.A. & Canada only) |

### POWER CONSUMPTION

|                     |           |
|---------------------|-----------|
| Maximum consumption |           |
| AU-9900A .....      | 665 watts |
| AU-11000A .....     | 915 watts |

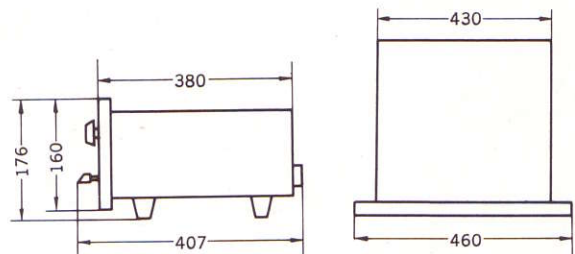
### Rated consumption

|                 |                  |
|-----------------|------------------|
| AU-9900A .....  | 340 watts 435 VA |
| AU-11000A ..... | 480 watts 605 VA |

DIMENSIONS..... 460 mm (18 1/8") W  
176 mm (6 15/16") H  
407 mm (16 1/16") D

### WEIGHT

|           |   |                                 |
|-----------|---|---------------------------------|
| AU-9900A  | } | ..... 17.6 kg (38.8 lbs) net    |
|           |   | ..... 19.7 kg (43.4 lbs) packed |
| AU-11000A | } | ..... 19.2 kg (42.3 lbs) net    |
|           |   | ..... 21.3 kg (47.0 lbs) packed |

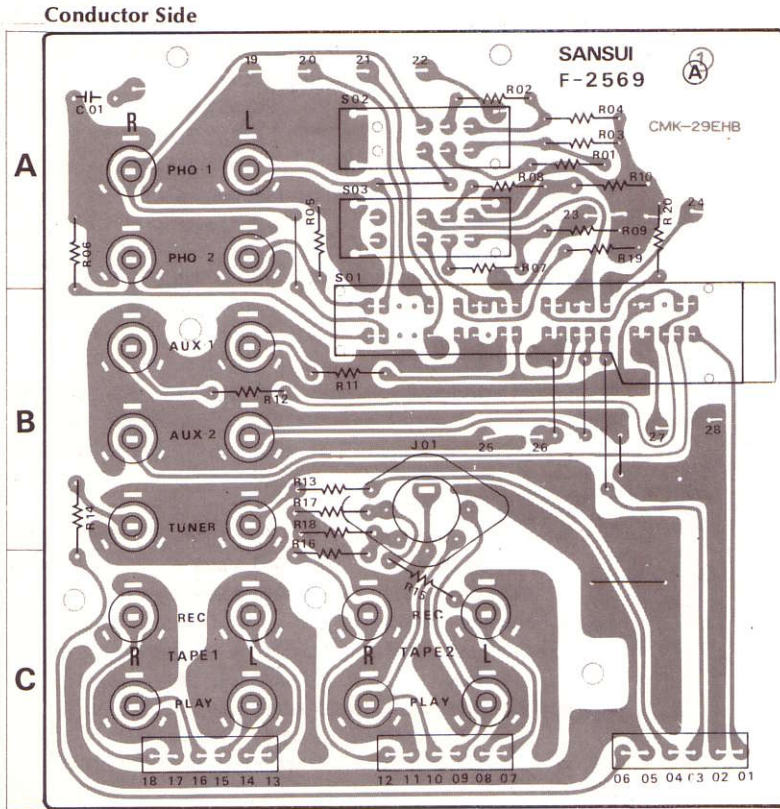


\* Design and specifications subject to change without notice for improvements.  
\* In order to simplify the explanation illustrations may sometimes differ from the originals.

### 3. PARTS LOCATION & PARTS LIST

#### 3-1. F-2569 Input Terminal & Switch Circuit Board

AU-9900A (Stock No. 7594631) AU-11000A (Stock No. 7594731)

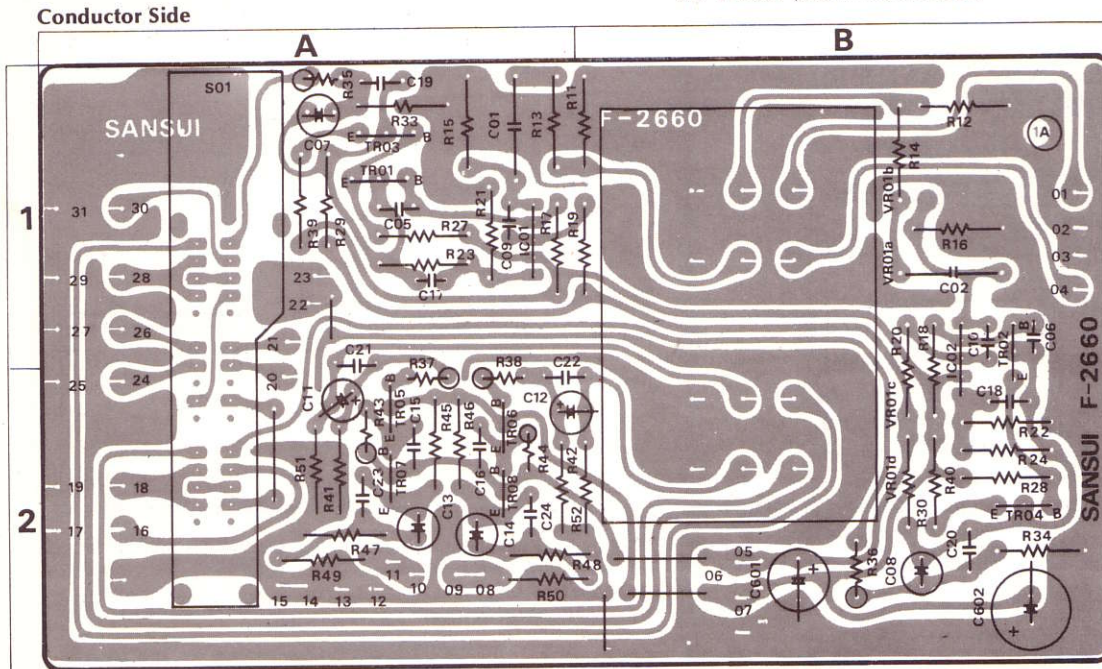


#### Parts List

| Parts No. | Stock No. | Description           | Position |
|-----------|-----------|-----------------------|----------|
| R07,08    | 0231202   | 2.0kΩ 1/2W M.R.       | A        |
| S01       | 1190260   | Input Selector Switch | A, B     |
| S02       | 1110310   | Pick-up Load Switch   | A        |
| S03       | 1110310   | Sensitivity Switch    | A        |
| J01       | 2090030   | 5P DIN Socket         | B        |
|           | 2410780   | 6P Pin Ass'y (Type C) |          |
|           | 2430260   | 1P Jack (White)       |          |
|           | 2430270   | 1P Jack (Red)         |          |

#### 3-2. F-2660 Level Volume Circuit Board

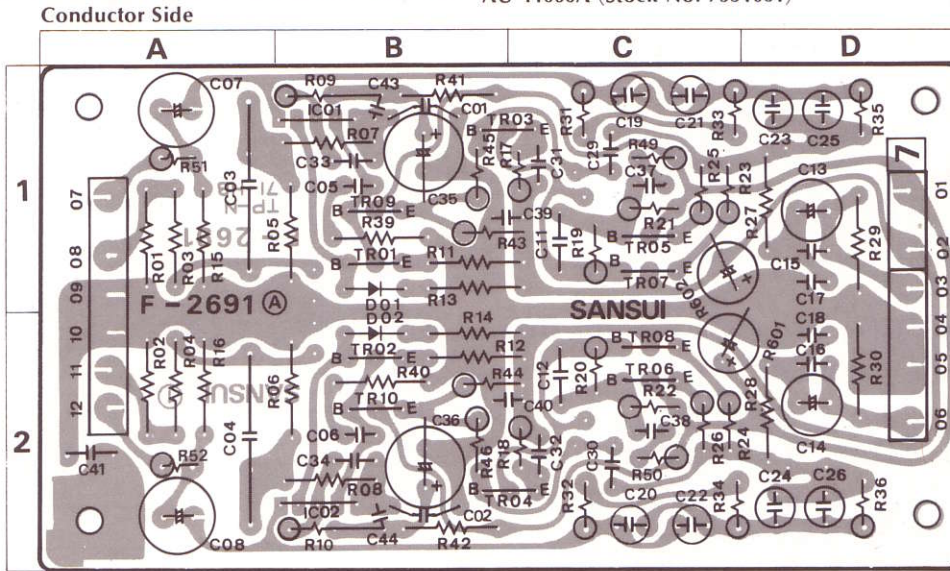
AU-9900A (Stock No. 7594661)  
AU-11000A (Stock No. 7594761)



#### Parts List

| Parts No. | Stock No. | Description     | Position   | Parts No. | Stock No. | Description     | Position              | Parts No. | Stock No. | Description             | Position |
|-----------|-----------|-----------------|------------|-----------|-----------|-----------------|-----------------------|-----------|-----------|-------------------------|----------|
| TR01,02   | 0306270,1 | 25C1708 (F, G1) | 1 A, 1, 2B | TR07,08   | 0306360,1 | 25C1951 (1, 21) | 2 A                   | VR01      | 1090220   | 100kΩ × 4 Detent Volume |          |
| TR03,04   | 0306360,1 | 25C1951 (1, 21) | 1 A, 2 B   | IC01,02   | 0360370,1 | 25A798 (F, G1)  | Transistor 1 A, 1, 2B | S01       | 1190290   | Tone & Filter Switch    | 1, 2 A   |
| TR05,06   | 0300470,1 | 25A726 (F, G1)  | 2 A        | C01,02    | 0602109   | 1μF 100V M.C.   | 1 A, 1 B              |           |           |                         |          |

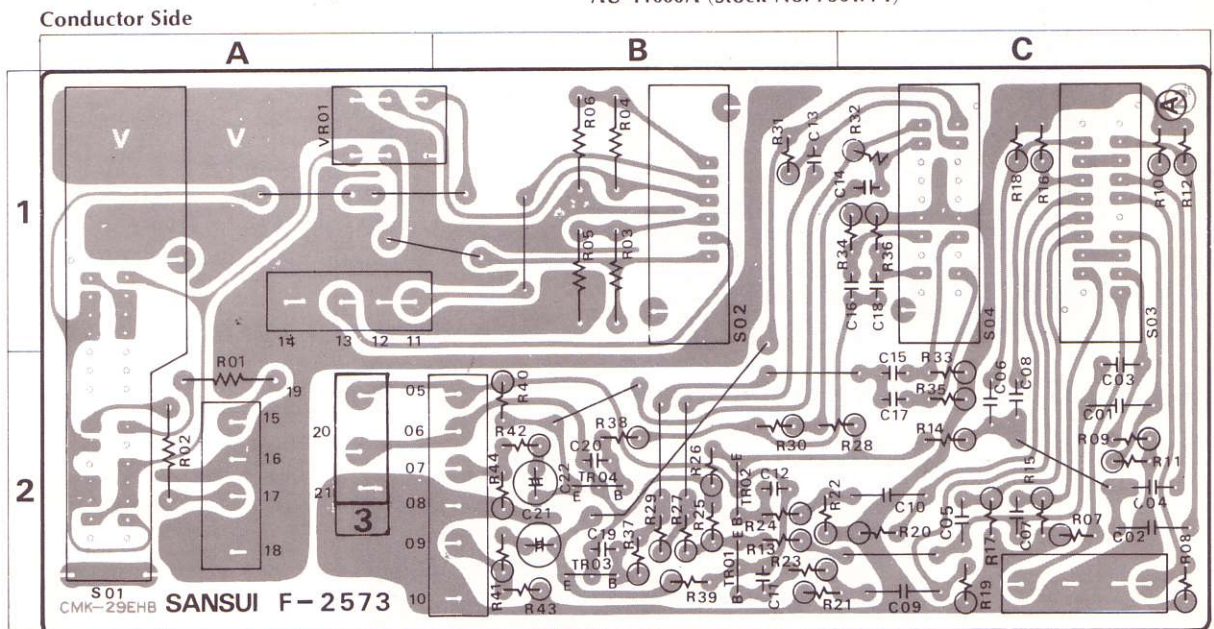
**3-3. F-2691 Equalizer Circuit Board** AU-9900A (Stock No. 7551041)  
AU-11000A (Stock No. 7551061)



**Parts List**

| Parts No. | Stock No.  | Description    | Position     | Parts No. | Stock No. | Description            | Position               | Parts No. | Stock No. | Description           | Position               |
|-----------|------------|----------------|--------------|-----------|-----------|------------------------|------------------------|-----------|-----------|-----------------------|------------------------|
| TR01, 02  | 0306070, 1 | 25C1313 (F, G) | } Transistor | C03, 04   | 0602229   | 2.2 $\mu$ F 100WV M.C. | 1 D, 2 D               | R33, 34   | 0231564   | 560k $\Omega$         | } $\frac{1}{4}$ W M.R. |
| TR03, 04  | 0306270, 1 | 25C1708 (F, G) |              | C19, 20   | 0625562   | 5600pF                 | 1 B, 2 B               | R35, 36   | 0231473   | 47k $\Omega$          |                        |
| TR05, 06  | 0306270, 1 | 25C1708 (F, G) |              | C21, 22   | 0620101   | 100pF                  | 1 B, 2 B               | R51, 52   | 0231102   | 1k $\Omega$           |                        |
| TR07, 08  | 0300710, 1 | 25A847 (F, G)  |              | C23, 24   | 0625122   | 1200pF                 | 1 B, 2 B               |           |           |                       |                        |
| TR09, 10  | 0306270, 1 | 25C1708 (F, G) |              |           | C25, 26   | 0620391                | 390pF 50V P.C.         | 1 A, 2 A  |           |                       |                        |
| IC01, 02  | 0360370, 1 | 25A798 (F, G)  | Transistor   | R15, 16   | 0231332   | 3.3k $\Omega$          | } $\frac{1}{4}$ W M.R. |           |           | 2410590               | 4P Pin Ass'y (Type D)  |
|           | 0311160    | 152473D        | } Diode      | R31, 32   | 0231223   | 22k $\Omega$           |                        |           |           | 2410600               | 6P Pin Ass'y (Type D)  |
|           | 0311180    | 151588         |              |           |           |                        |                        |           | 2410910   | 2P Pin Ass'y (Type E) |                        |

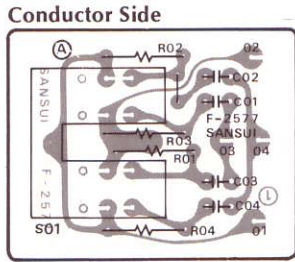
**3-4. F-2573 Filter Accessory Circuit Board** AU-9900A (Stock No. 7561671)  
AU-11000A (Stock No. 7561771)



**Parts List**

| Parts No. | Stock No.  | Description    | Position     | Parts No. | Stock No.  | Description                         | Position    | Parts No. | Stock No. | Description           | Position           |
|-----------|------------|----------------|--------------|-----------|------------|-------------------------------------|-------------|-----------|-----------|-----------------------|--------------------|
| TR01, 02  | 0306270, 1 | 25C1708 (F, G) | } Transistor | VR01      | 1015170, 1 | 250k $\Omega$ (M, N) Balance Volume | 1 A         | S03       | 1170950   | Low Filter Switch     | 1 C                |
| TR03, 04  | 0300760, 1 | 25A917 (1, 2)  |              |           | S01        | 1190250                             | Mode Switch | 1, 2 A    | S04       | 1170950               | High Filter Switch |
|           |            |                |              | S02       | 1170770    | Muting Switch                       |             |           | 2410590   | 4P Pin Ass'y (Type D) |                    |
|           |            |                |              |           |            |                                     |             |           | 2410920   | 3P Pin Ass'y (Type E) |                    |

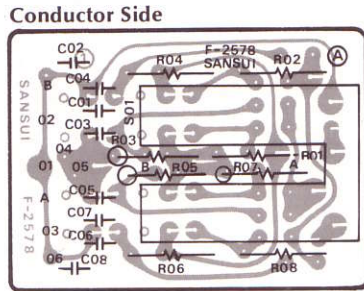
**3-5. F-2577 Treble Tone Selector Circuit Board** AU-9900A (Stock No. 7561651)  
AU-11000A (Stock No. 7561751)



**Parts List**

| Parts No. | Stock No. | Description             |
|-----------|-----------|-------------------------|
| C01, 02   | 0620331   | 330 pF } 50V P.C.       |
| C03, 04   | 0620911   | 910 pF }                |
| S01       | 1131150   | Treble Tone Push Switch |

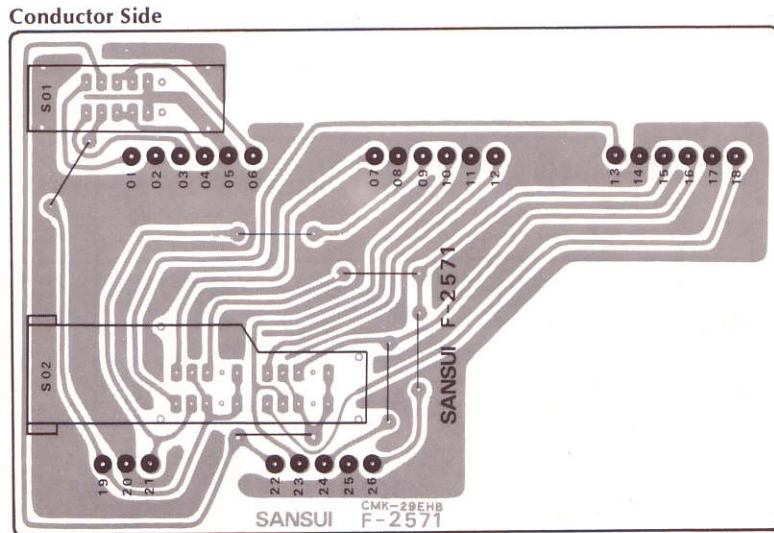
**3-6. F-2578 Bass Tone Selector Circuit Board** AU-9900A (Stock No. 7561661)  
AU-11000A (Stock No. 7561761)



**Parts List**

| Parts No. | Stock No. | Description           |
|-----------|-----------|-----------------------|
| S01       | 1131140   | Bass Tone Push Switch |

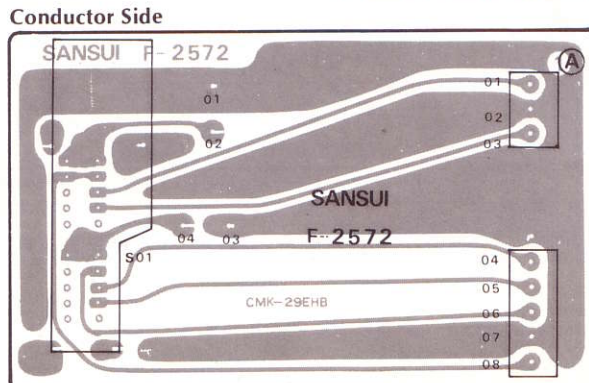
**3-7. F-2571 Tape Copy & Tuner Signal Switching Circuit Board**  
AU-9900A (Stock No. 7594641) AU-11000A (Stock No. 7594741)



**Parts List**

| Parts No. | Stock No. | Description         |
|-----------|-----------|---------------------|
| S01       | 1170870   | Lever Switch, tuner |
| S02       | 1190280   | Tape Copy Switch    |

**3-8. F-2572 Tape Play Circuit Board** AU-9900A (Stock No. 7594651)  
AU-11000A (Stock No. 7594751)

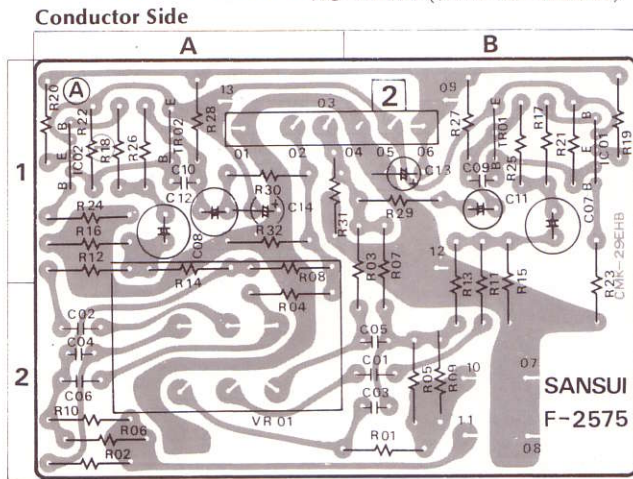


**Parts List**

| Parts No. | Stock No. | Description           |
|-----------|-----------|-----------------------|
| S01       | 1190270   | Tape Play switch      |
|           | 2410760   | 3P Pin Ass'y (Type C) |
|           | 2410780   | 6P Pin Ass'y (Type C) |

### 3-9. F-2575 Midrange Tone Control Circuit Board

AU-9900A (Stock No. 7561631)  
AU-11000A (Stock No. 7561731)

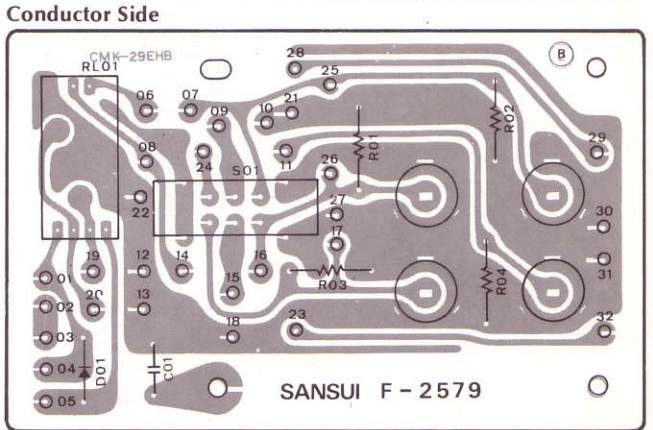


**Parts List**

| Parts No. | Stock No.  | Description                                 | Position |
|-----------|------------|---|----------|
| TR01, 02  | 0306270, 1 | 2SC1708 (F, G) Transistor                   | 2 A, 2 B |
| IC01, 02  | 0360290, 1 | 2SA798 (F, G) IC                            | 2 A, 2 B |
| VR01      | 1090150, 1 | 50k $\Omega$ (B) $\times$ 2 Midrange Volume | 1 B      |
|           | 2410700    | 6P Pin Ass'y (Type F)                       |          |

### 3-10. F-2579 Pre-Main Switch Circuit Board

AU-9900A (Stock No. 7594671)  
AU-11000A (Stock No. 7594771)

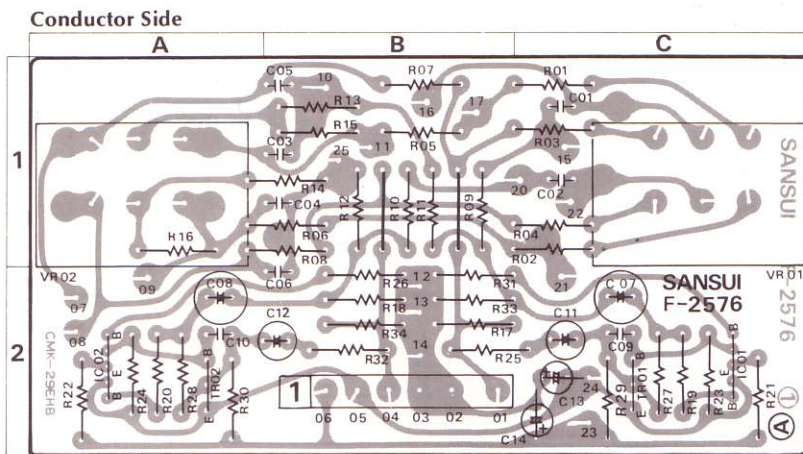


**Parts List**

| Parts No. | Stock No. | Description             |
|-----------|-----------|-------------------------|
| RL01      | 1150320   | Relay Switch            |
|           | 2430260   | Female Pin Jack (White) |
|           | 2430270   | Female Pin Jack (Red)   |
| S01       | 1110320   | PRE Main Switch         |

### 3-11. F-2576 Bass & Treble Tone Control Circuit Board

AU-9900A (Stock No. 7561641)  
AU-11000A (Stock No. 7561741)

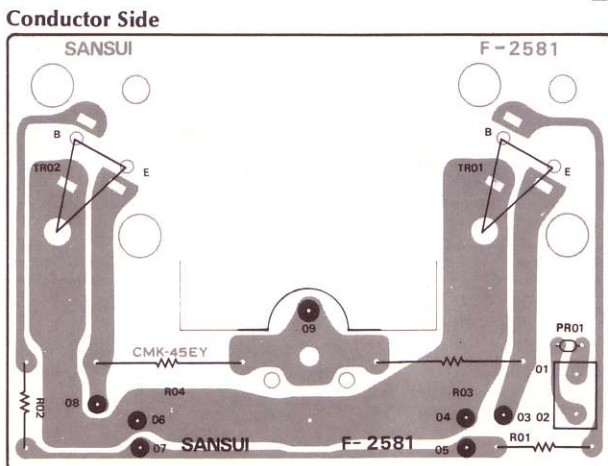


**Parts List**

| Parts No. | Stock No.  | Description                               | Position |
|-----------|------------|---|----------|
| TR01, 02  | 0306270, 1 | 2SC1708 (F, G) Transistor                 | 2 C, 2 A |
| IC01, 02  | 0360290, 1 | 2SA798 (F, G) IC                          | 2 C, 2 A |
| C01, 02   | 0620301    | 300pF 50V P.C.                            | 1 C      |
| VR01      | 1090150, 1 | 50k $\Omega$ (B) $\times$ 2 Treble Volume | 1 C      |
| VR02      | 1090150, 1 | 50k $\Omega$ (B) $\times$ 2 Bass Volume   | 1 A      |
|           | 2410680    | 4P Pin Ass'y (Type F)                     |          |

### 3-12. F-2581 Final Stage Circuit Board

+ Side (AU-9900A (Stock No. 7571531)  
AU-11000A (Stock No. 7571571))  
- Side (AU-9900A (Stock No. 7571581)  
AU-11000A (Stock No. 7571601))



**Parts List (+Side)**

| Parts No. | Stock No.  | Description                |
|-----------|------------|----------------------------|
| TR01      | 0306451, 2 | 2SC1403A (O, Y) Transistor |
| TR02      | 0306451, 2 | 2SC1403A (O, Y) Transistor |
| R01, 02   | 0192829    | 8.2 $\Omega$ 1/2W F.R.     |
| R03, 04   | 0135338    | 0.33 $\Omega$ 5W Ce.R.     |
|           | 2030040    | Transistor Socket          |
|           | 2030040    | Transistor Socket          |

**Parts List (-Side)**

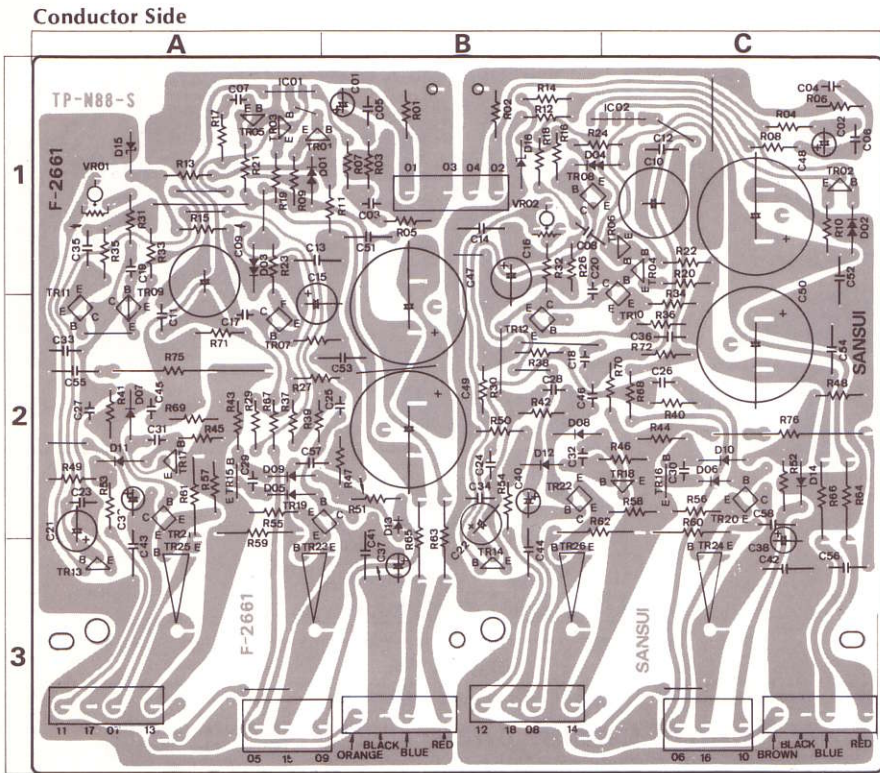
| Parts No. | Stock No.  | Description               |
|-----------|------------|---------------------------|
| TR01      | 0300831, 2 | 2SA745A (O, Y) Transistor |
| TR02      | 0300831, 2 | 2SA745A (O, Y) Transistor |
| PR01      | 0320130    | Thermistor                |
| R01, 02   | 0192829    | 8.2 $\Omega$ 1/2W F.R.    |
| R03, 04   | 0135338    | 0.33 $\Omega$ 5W Ce.R.    |
|           | 2030040    | Transistor Socket         |
|           | 2030040    | Transistor Socket         |
|           | 2410910    | 2P Pin Ass'y Type E       |

### 3-13. F-2661 Driver Circuit Board

AU-9900A (Stock No. 7571521)  
 AU-11000A (Stock No. 7571561)

#### Parts List

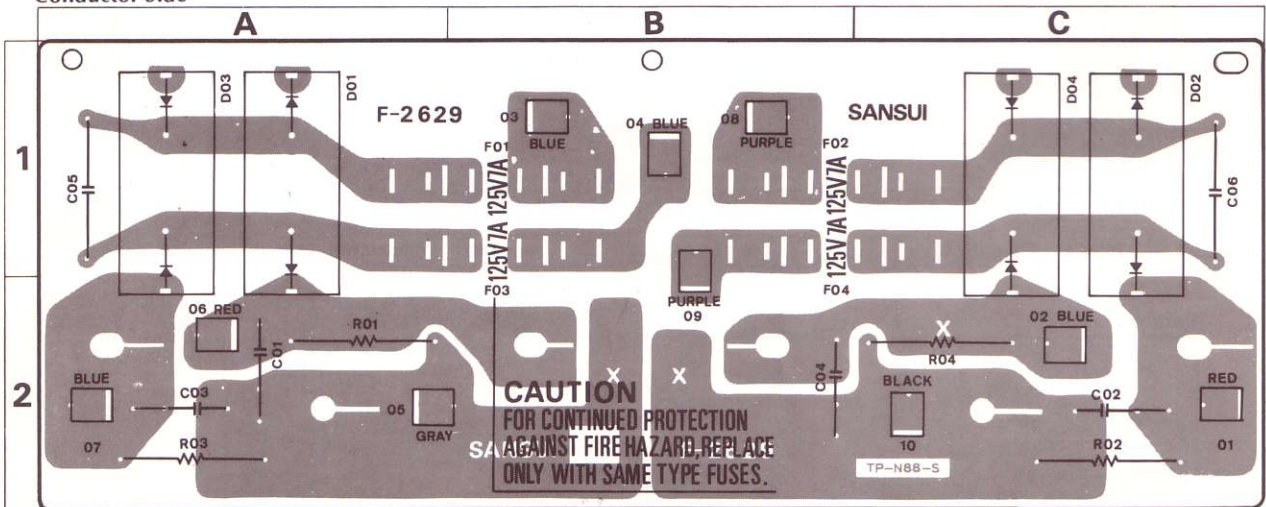
| Parts No. | Stock No.                | Description                     | Position  |
|-----------|--------------------------|---------------------------------|-----------|
| TR01,02   | 0300760,1                | 2SA917 (1,2)                    | 1 A.1C    |
| TR03,04   | 0306290,1                | 2SC1400 (1) U, E                | 1 A.1C    |
| TR05,06   | 0306290,1                | 2SC1400 (1) U, E                | 1 A.1C    |
| TR07,08   | {0300700,1<br>0300770,1} | 2SA818 O, Y<br>2SA896-1 (1,2)   | 2 A.1B    |
| TR09,10   | {0306260,1<br>0306350,1} | 2SC1628 O, Y<br>2SC1811-1 (1,2) | 2 A.1,2C  |
| TR11,12   | {0306260,1<br>0306350,1} | 2SC1628 O, Y<br>2SC1811-1 (1,2) | 2 A.2B    |
| TR13,14   | 0306401,2                | 2SC1904 B, V                    | 3 A.3B    |
| TR15,16   | 0305640,1                | 2SC735 O, Y                     | 2 A.2C    |
| TR17,18   | 0300220,1                | 2SA562 O, Y                     | 2 A.2C    |
| TR19,20   | {0306260,1<br>0306350,1} | 2SC1628 O, Y<br>2SC1811-1 (1,2) | 2 A.2C    |
| TR21,22   | {0300700,1<br>0300770,1} | 2SA818 O, Y<br>2SA896-1 (1,2)   | 2 A.2B    |
| TR23,24   | 0308441,2                | 2SD382 (M, L)                   | 3 A.3C    |
| TR25,26   | 0303271,2                | 2SB537 (M, L)                   | 3 A.3B    |
| IC01,02   | 0360370,1                | 2SA798 (F, G) IC                | 1 A.1C    |
| D01,02    | 0340120                  | VD1212                          | 1 A.1C    |
| D03,04    | 0340120                  | VD1212                          | 1 A.1B, C |
| D05,06    | {0311160<br>0311180}     | 1S2473D<br>1S1588               | 2 A.2C    |
| D07,08    | {0311160<br>0311180}     | 1S2473D<br>1S1588               | 2 A.2B    |
| D09,10    | {0311160<br>0311180}     | 1S2473D<br>1S1588               | 2 A.2C    |
| D11,12    | {0311160<br>0311180}     | 1S2473D<br>1S1588               | 2 A.2B    |
| C13,14    | 0602108                  | 0.1 $\mu$ F 100WV M.C.          | 1 A.1B    |
| C41,42    | 0602108                  | 0.1 $\mu$ F 100V M.C.           | 3B,3C     |
| C43,44    | 0602108                  | 0.1 $\mu$ F 100V M.C.           | 3A,3B     |
| C45,46    | 0669002                  | 3.9 $\mu$ F 50V C.C.            | 2 A.2B    |
| C47,48    | 0549301                  | 470 $\mu$ F 80V E.C.            | 1,2B,2C   |
| C49,50    | 0549301                  | 470 $\mu$ F 80V E.C.            | 2B,2C     |
| C51,52    | 0602108                  | 0.1 $\mu$ F 100WV M.C.          | 1B,1C     |
| C53,54    | 0602108                  | 0.1 $\mu$ F 100WV M.C.          | 2B,2C     |
| R51,52    | 0191471                  | 470 $\Omega$                    | 2B,2C     |
| R53,54    | 0191471                  | 470 $\Omega$                    | 2A,2B     |
| R59,60    | 0192680                  | 68 $\Omega$                     | 2 A.2C    |
| R61,62    | 0192680                  | 68 $\Omega$                     | 2 A.2B,C  |
| R63,64    | 0192680                  | 68 $\Omega$                     | 2,3B,2C   |
| R65,66    | 0192680                  | 68 $\Omega$                     | 2,3B,2C   |
| R75,76    | 0203100                  | 10 $\Omega$ 3W N.I.R.           | 2 A.2C    |
| VR01,02   | 1035050                  | 470 $\Omega$ B                  | 1 A.1B    |
|           | 2410590                  | 4P Pin Ass'y TYPE D             |           |
|           | 2410680                  | 4P Pin Ass'y TYPE F             |           |
|           | 2410920                  | 3P Pin Ass'y TYPE E             |           |



### 3-14. F-2629 Power Supply Circuit Board

AU-9900A (Stock No. 7502121)  
 AU-11000A (Stock No. 7502161)

Conductor Side



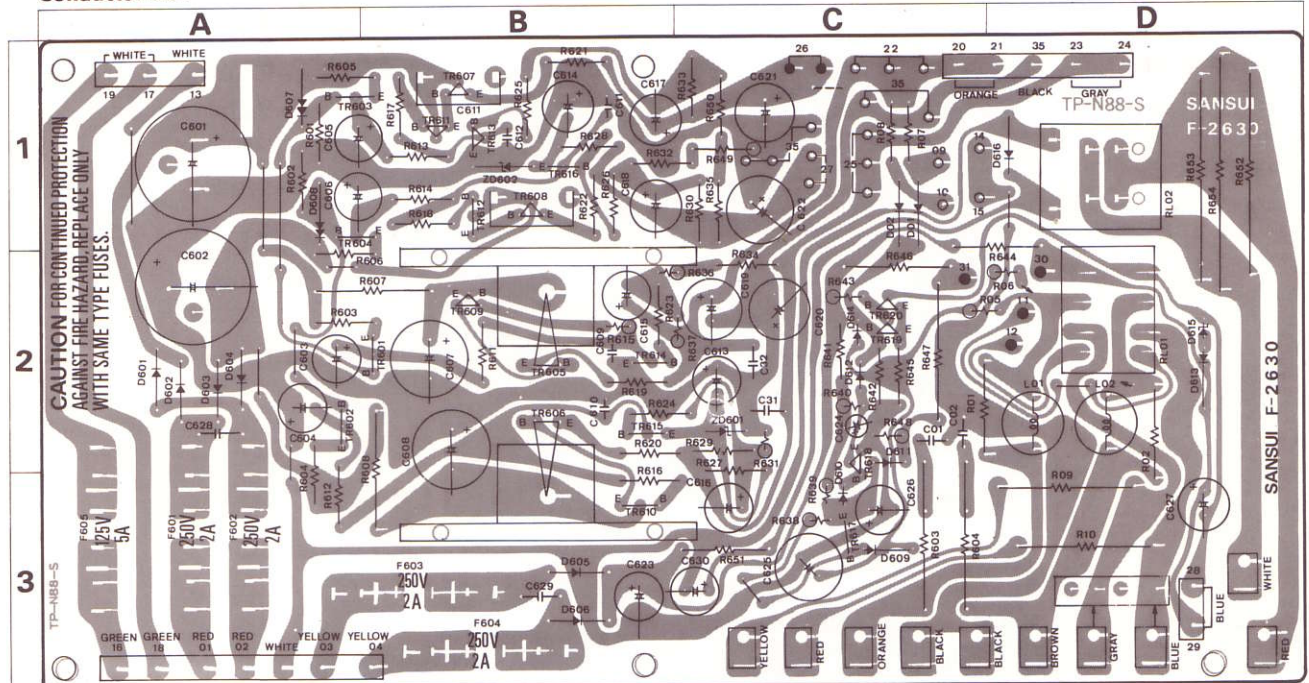
#### Parts List

| Parts No. | Stock No.            | Description     | Position | Parts No. | Stock No.            | Description             | Position | Parts No. | Stock No. | Description     | Position |
|-----------|----------------------|-----------------|----------|-----------|----------------------|-------------------------|----------|-----------|-----------|-----------------|----------|
| D01       | {0311310<br>0311540} | SS-5<br>SS151   | 1 A      | D04       | {0311320<br>0311550} | SS-5R<br>SS151R         | 1 C      | R01,02    | 0202332   | 3.3k $\Omega$   | 1 A.1C   |
| D02       | {0311310<br>0311540} | SS-5<br>SS151   | 1 C      |           |                      |                         |          | R03,04    | 0202332   | 3.3k $\Omega$   | 1 A.1C   |
| D03       | {0311320<br>0311550} | SS-5R<br>SS151R | 1 A      | C01,02    | 0602109              | 0.1 $\mu$ F 100WV M.C.  | 2 A.2C   | F01-04    | 0432500   | AC Fuse 7A 125V | 1,2 B    |
|           |                      |                 |          | C03,04    | 0602109              | 0.1 $\mu$ F 100WV M.C.  | 2 A.2 B  |           |           |                 |          |
|           |                      |                 |          | C05,06    | 0605477              | 0.047 $\mu$ F 250V M.C. | 1 A.1C   |           |           |                 |          |



### 3-15. F-2630 Power Supply Circuit Board for Driver Stage

AU-9900A (Stock No. 7502111)  
 AU-11000A (Stock No. 7502151)

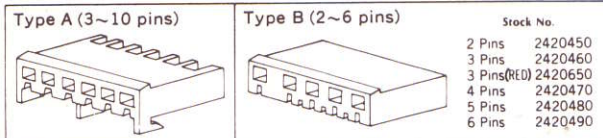


#### Parts List

| Parts No. | Stock No. | Description    | Position | Parts No. | Stock No. | Description | Position              | Parts No. | Stock No.          | Description    | Position |
|-----------|-----------|----------------|----------|-----------|-----------|-------------|-----------------------|-----------|--------------------|----------------|----------|
| TR601     | 0300721.2 | 2SA850 (D, E)  | 1 A, B   | D603      | 0310350   | 10D2        | 2 A                   | R01.02    | 0104479            | 4.7Ω 1W C.R.   | 2 C, 2 D |
| TR602     | 0306281.2 | 2SC1735 (D, E) |          | D604      | 0310350   | 10D2        | 2 A                   | R03.04    | 0203100            | 10Ω 3W N.I.R.  | 3 C      |
| TR603     | 0300720.1 | 2SA850 (C, D)  |          | D605      | 0310340   | 10D1        | Diode                 | R09.10    | 0135221            | 220Ω 5W Ce.R.  |          |
| TR604     | 0306280.1 | 2SC1735 (C, D) |          | D606      | 0310340   | 10D1        | 3 B                   | R603-606  | 0191471            | 470Ω 1/4W F.R. | 1 A, 2 A |
| TR605     | 0308441.2 | 2SD382 (L, M)  |          | D607      | 0340120   | VD1212      | Varistor              | R607.608  | 0202151            | 150Ω 2W N.I.R. |          |
| TR606     | 0303271.2 | 2SB537 (L, M)  |          | D608      | 0340120   | VD1212      | 1 A                   | R619-622  | 0191100            | 10Ω 1/4W F.R.  | 1 B      |
| TR607     | 0308450.1 | 2SD356 (C, D)  | D609     | 0310490   | SV-02     | 3 C         | R644                  | 0211471   | 470Ω 1W N.I.R.     | 2 C, D         |          |
|           | 0308611.2 | 2SD357 (D, E)  | D610     | 0311160   | 1S2473D   | 3 C         | R646                  | 0202151   | 150Ω 2W N.I.R.     | 2 C            |          |
|           | 0303441.2 | 2SB527 (D, E)  | D611     | 0311160   | 1S2473D   | 2 C         | R647                  | 0183471   | 470Ω 3W Ce.R.      | 2 C            |          |
| TR608     | 0303280.1 | 2SB526 (C, D)  | D612     | 0311160   | 1S1588    | Diode       | R651                  | 0211391   | 390Ω 1W N.I.R.     | 3 C            |          |
| TR609     | 0306281.2 | 2SC1735 (D, E) | D617-619 | 0310340   | 10D1      | 1 D         | R652.653              | 0137829   | 8.2Ω 7W Ce.R.      | 1 D            |          |
| TR610     | 0300470.1 | 2SA726 (F, G)  | D612     | 0311160   | 1S2473D   | 2 C         | L01.02                | 4210290   | Filter Coil 1.5r/H | 2 D            |          |
| TR611     | 0306280.1 | 2SC1735 (C, D) | D613     | 0310340   | 10D1      | 2 D         | RL01                  | 1150370   | Relay              | 2 D            |          |
| TR612     | 0300720.1 | 2SA850 (C, D)  | D614     | 0311160   | 1S2473D   | 2 C         | RL02                  | 1150360   | Relay              | 1 D            |          |
| TR613     | 0306290.1 | 2SC1400 (E, U) |          |           |           |             | F601.604              | 0432240   | 2A 250V A.C. Fuse  | 3 A, B         |          |
| TR614     | 0306290.1 | 2SC1400 (E, U) |          |           |           |             | <b>AU-9900A Only</b>  |           |                    |                |          |
| TR615     | 0300470.1 | 2SA726 (F, G)  |          |           |           |             | R613.614              | 0107822   | 8.2kΩ              | 1/4W C.R.      |          |
| TR616     | 0300470.1 | 2SA726 (F, G)  |          |           |           |             | R617.618              | 0107221   | 220Ω               |                |          |
| TR617     | 0300511.2 | 2SA733 (Q, R)  |          |           |           |             | R630                  | 0107393   | 39kΩ               |                |          |
| TR618     | 0306131.2 | 2SC1364 (6, 7) |          |           |           |             | <b>AU-11000A Only</b> |           |                    |                |          |
| TR619     | 0306131.2 | 2SC1364 (6, 7) |          |           |           |             | R613.614              | 0210822   | 8.2kΩ              | 1/4W M.R.      |          |
| TR620     | 0306131.2 | 2SC1364 (6, 7) |          |           |           |             | R617.618              | 0210221   | 220Ω               |                |          |
|           |           |                |          |           |           |             | R630                  | 0107123   | 12kΩ               |                |          |
| D61.02    | 0311160   | 1S2473D        | 1 C      | C601      | 0549301   | 470μF       | 80V E.C.              |           |                    |                |          |
| D601      | 0310350   | 10D2           | 2 A      | C602      | 0549301   | 470μF       | 80V E.C.              |           |                    |                |          |
| D602      | 0310350   | 10D2           | 2 A      | C611.612  | 0655472   | 4700pF      | 500V C.C.             |           |                    |                |          |
|           |           |                |          | C628      | 0655103   | 10000pF     | 500V C.C.             |           |                    |                |          |
|           |           |                |          | C629      | 0655472   | 4700pF      |                       |           |                    |                |          |

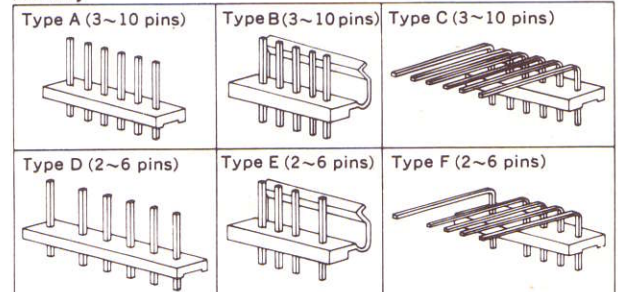
#### ● Figures Connectors & Pin Ass'y

##### Connectors



NOTE: Since stock number of female connectors (type B) with wires are not shown in each parts list of Complete circuit board, please refer to the above parts list when ordering the connector.

##### Pin Ass'y

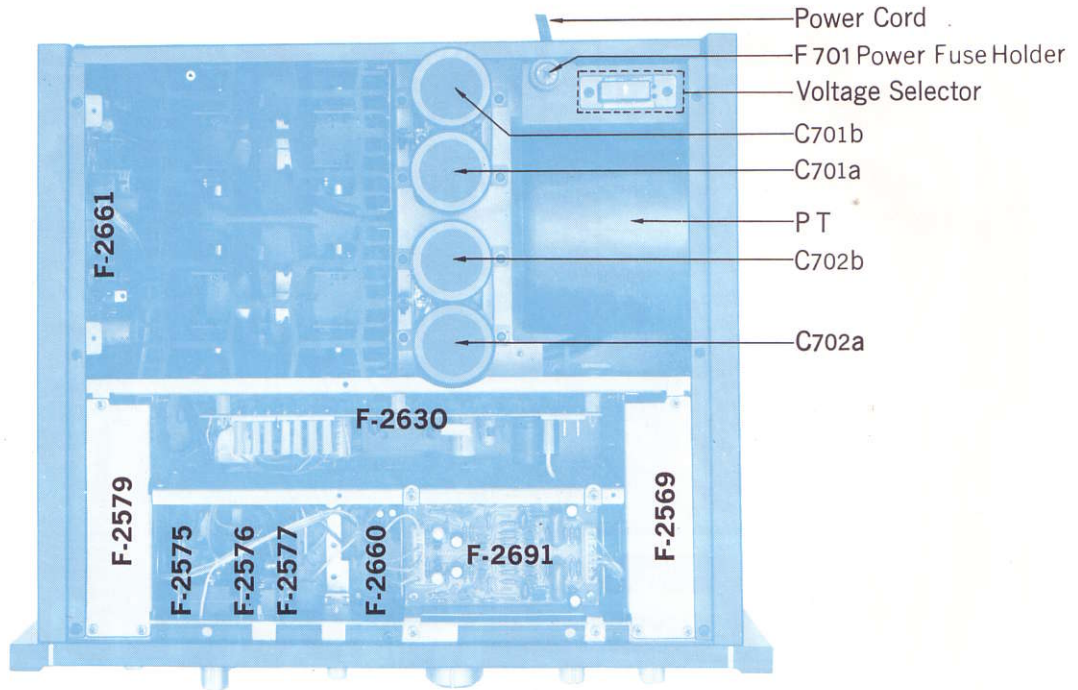


##### Abbreviations

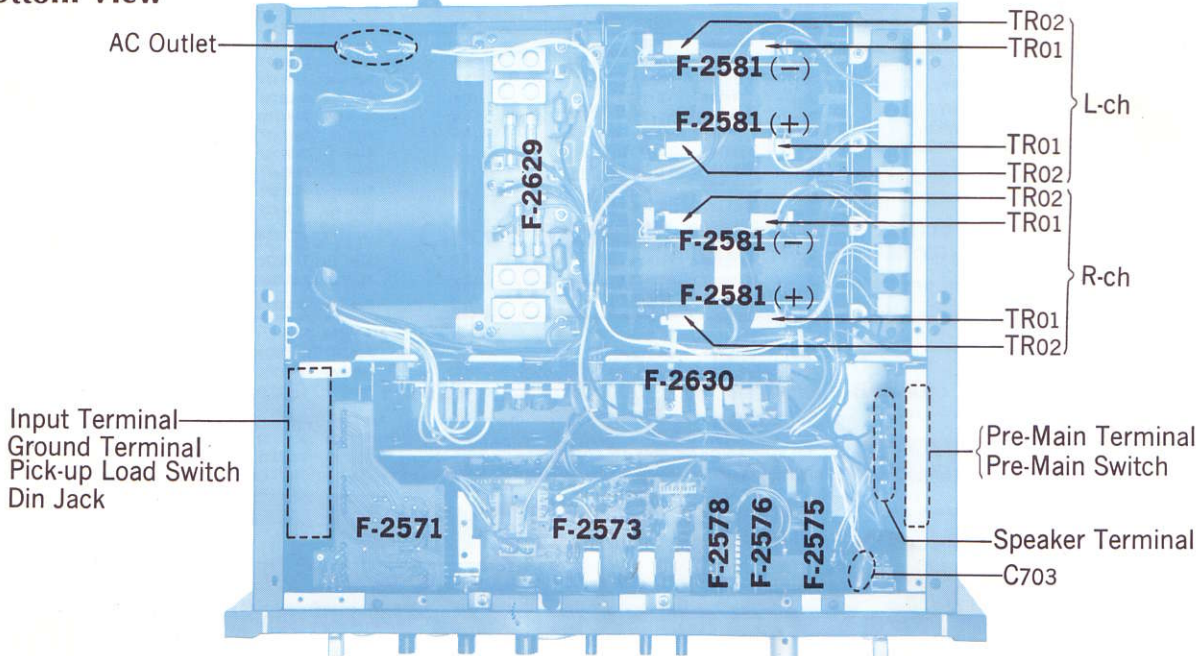
|  |  |                                     |
|--|--|-------------------------------------|
| <b>C.R.</b> : Carbon Resistor          | <b>N.I.R.</b> : Non-Inflammable Resistor         | <b>C.C.</b> : Ceramic Capacitor     |
| <b>S.R.</b> : Solid Resistor           | <b>M.C.</b> : Mylar Capacitor                    | <b>M.I.C.</b> : Mica Capacitor      |
| <b>Ce.R.</b> : Cement Resistor         | <b>E.C.</b> : Electrolytic Capacitor             | <b>O.C.</b> : Oil Capacitor         |
| <b>M.R.</b> : Metallized Film Resistor | <b>BP.E.C.</b> : Bi-Polar Electrolytic Capacitor | <b>P.C.</b> : Polystyrene Capacitor |
| <b>F.R.</b> : Fusing Resistor          |  | <b>T.C.</b> : Tantalum Capacitor    |

## 4. OTHER PARTS/4-1. Top & Bottom View

Top View



Bottom View

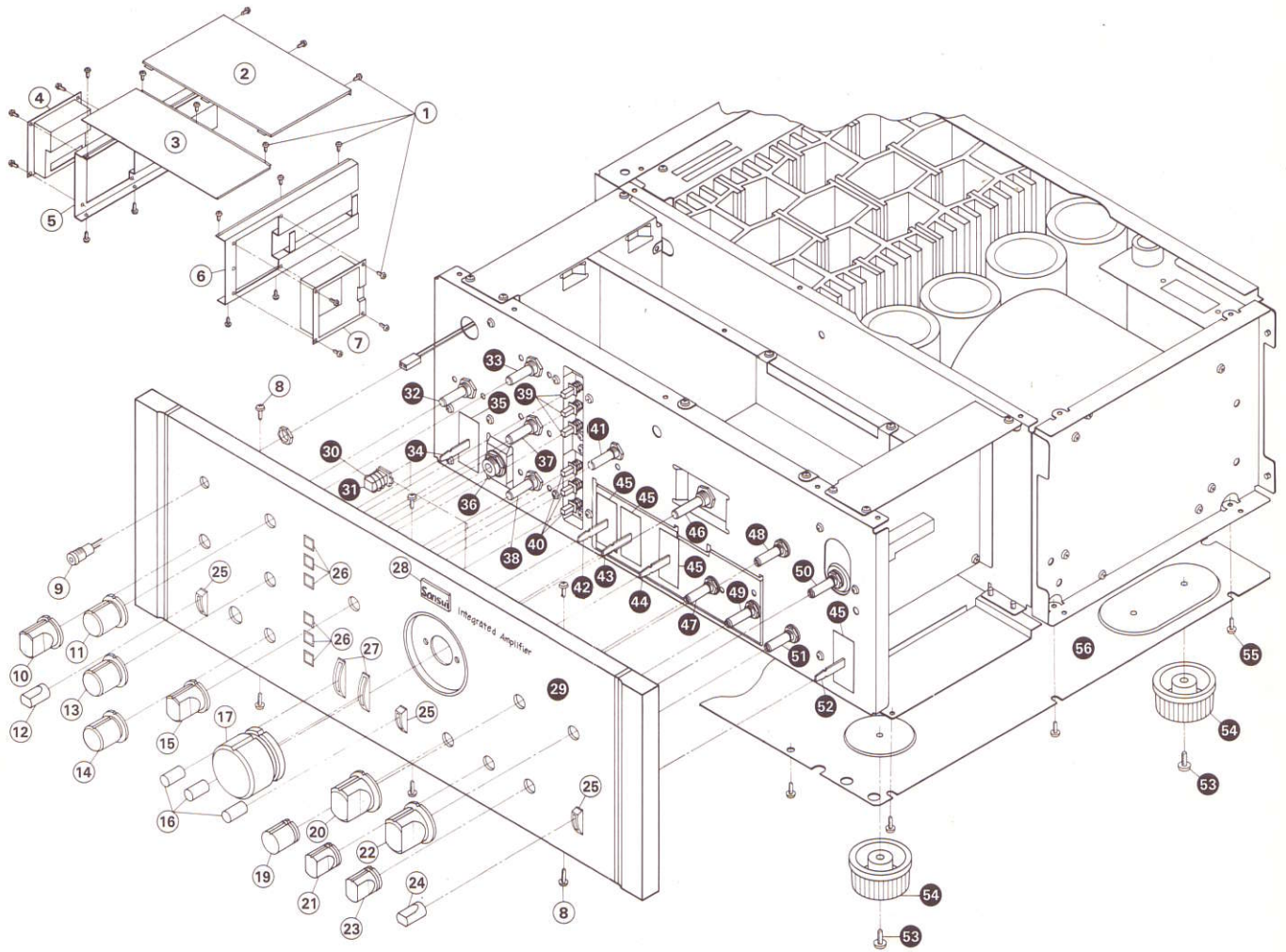


### Parts List

| Parts No.       | Stock No. | Description                                    |
|-----------------|-----------|--|
| F-2581 (+ Side) |           |  |
| TR01.02         | 0306451.2 | 2SC1403A                                       |
| F-2581 (- Side) |           |  |
| TR01.02         | 0300831.2 | 2SA745A  |
| C701.702        | 0559513   | 6800 $\mu$ F $\times$ 2 63WV E.C. (AU-9900A)   |
| C701.702        | 0559514   | 10000 $\mu$ F $\times$ 2 63WV E.C. (AU-11000A) |
| C703            | 0659801   | 0.01 $\mu$ F 150V C.C.                         |
| F701            | 0432290   | 5A (220V/240V)                                 |
|                 | 0434060   | 10A (100V/120V)                                |
|                 | 2300060   | Power Fuse Holder                              |
|                 | 3300240   | Power Cord                                     |
|                 | 2290150   | Ground Terminal                                |
|                 | 2090030   | Din Jack                                       |

| Parts No. | Stock No. | Description                   |
|-----------|-----------|-------------------------------|
|           | 1110310   | Pik-UP Load Switch            |
|           | 1110310   | Sensitivity Switch            |
|           | 1110320   | Pre-Main Switch               |
|           | 2430260   | Pre-Main Terminal (white)     |
|           | 2430270   | Pre-Main Terminal (red)       |
|           | 2290160   | Speaker Terminal              |
|           | 2450060   | AC Outlet                     |
|           | 2430260   | Input Terminal (white)        |
|           | 2430270   | Input Terminal (red)          |
|           | 2410091   | Voltage Selector Plug         |
|           | 2410830   | Voltage Selector Socket       |
|           | 4002560   | Power Transformer (AU-9900A)  |
|           | 4002570   | Power Transformer (AU-11000A) |

### 4-2. Exploded View



#### Parts List

| Parts No. | Stock No. | Description                           | Parts No. | Stock No.  | Description                         |
|-----------|-----------|---------------------------------------|-----------|------------|-------------------------------------|
| 2         | 5006660   | Bonnet (A)                            | 30        | 6906480    | Spring, Push Knob                   |
| 3         | 5006521   | Bonnet (B)                            | 31        | 5326531    | Push Knob                           |
| 4         | 5288640   | Output Terminal Base                  | 32        | 1101700, 1 | Rotary Switch, Speakers Switch      |
| 5         | 5304081   | Side Bonnet L-CH                      | 33        | 1090150, 1 | 50kΩ × 2, Treble Volume             |
| 6         | 5304091   | Side Bonnet R-CH                      | 34        | 1170510    | Lever Switch, Power                 |
| 7         | 5287411   | Input Terminal Base                   | 35        | 5047470    | Masking, Lever Switch               |
| 9         | 7726140   | LED Ass'y, Protector Indicator        | 36        | 2430190    | Headphone Jack                      |
| 10        | 5318262   | C-6 Type Knob, Speaker Switch         | 37        | 1090150, 1 | 50kΩ × 2, Midrange Volume           |
| 11        | 5318253   | B-6 Type Knob, Treble Volume          | 38        | 1090150, 1 | 50kΩ × 2, Bass Volume               |
| 12        | 5326510   | E-2 Type Knob, Power Switch           | 39        | 1131150    | Push Switch, Tone Selector (Treble) |
| 13        | 5318253   | B-6 Type Knob, Midrange Volume        | 40        | 1131140    | Push Switch, Tone Selector (Bass)   |
| 14        | 5318253   | B-6 Type Knob, Bass Volume            | 41        | 1190290    | Tone & Filter Switch                |
| 15        | 5318262   | C-6 Type Knob, Tone & Filter Switch   | 42        | 1170950    | Low Filter Switch                   |
| 16        | 5326520   | E-3 Type Knob, Filter & Muting Switch | 43        | 1170950    | High Filter Switch                  |
| 17        | 5318800   | G-7 Type Knob, Volume                 | 44        | 1170770    | Lever Switch, Muting                |
| 19        | 5318271   | D-6 Type Knob, Balance Volume         | 45        | 5047821    | Masking, Lever Switch               |
| 20        | 5318371   | H-6 Type Knob, Tape Play Switch       | 46        | 1090220    | 100kΩ × 4, Volume                   |
| 21        | 5318281   | F-6 Type Knob, Mode Switch            | 47        | 1015170, 1 | 250kΩ, Balance Volume               |
| 22        | 5318371   | H-6 Type Knob, Input Selector         | 48        | 1190270    | Tape Play Switch                    |
| 23        | 5318281   | F-6 Type Knob, Tape Copy Switch       | 49        | 1190250    | Mode Switch                         |
| 24        | 5326510   | E-2 Type Knob, Tuner Switch           | 50        | 1190260    | Input Selector                      |
| 25        | 5286731   | Lever Guide (1)                       | 51        | 1190280    | Tape Copy Switch                    |
| 26        | 5286721   | Knob Guide                            | 52        | 1170870    | Lever Switch, Tuner                 |
| 27        | 5286741   | Lever Guide (2)                       | 54        | 5517050    | Leg                                 |
| 28        | 5336581   | Sansui Mark                           | 56        | 5058492    | Bottom Plate                        |
| 29        | 7007482   | Panel Ass'y (AU-9900A)                |           |            |                                     |
|           | 7007472   | Panel Ass'y (AU-11000A)               |           |            |                                     |

# 5. ADJUSTMENTS

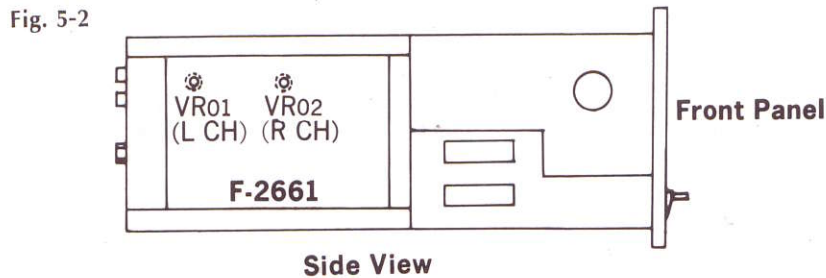
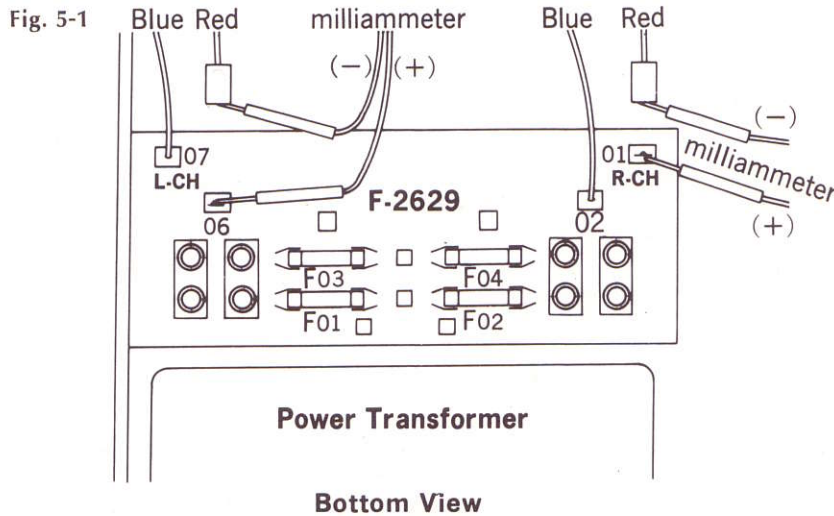
## 5-1. Bias Current Adjustment (See Fig. 5-1, 5-2)

**Condition:**

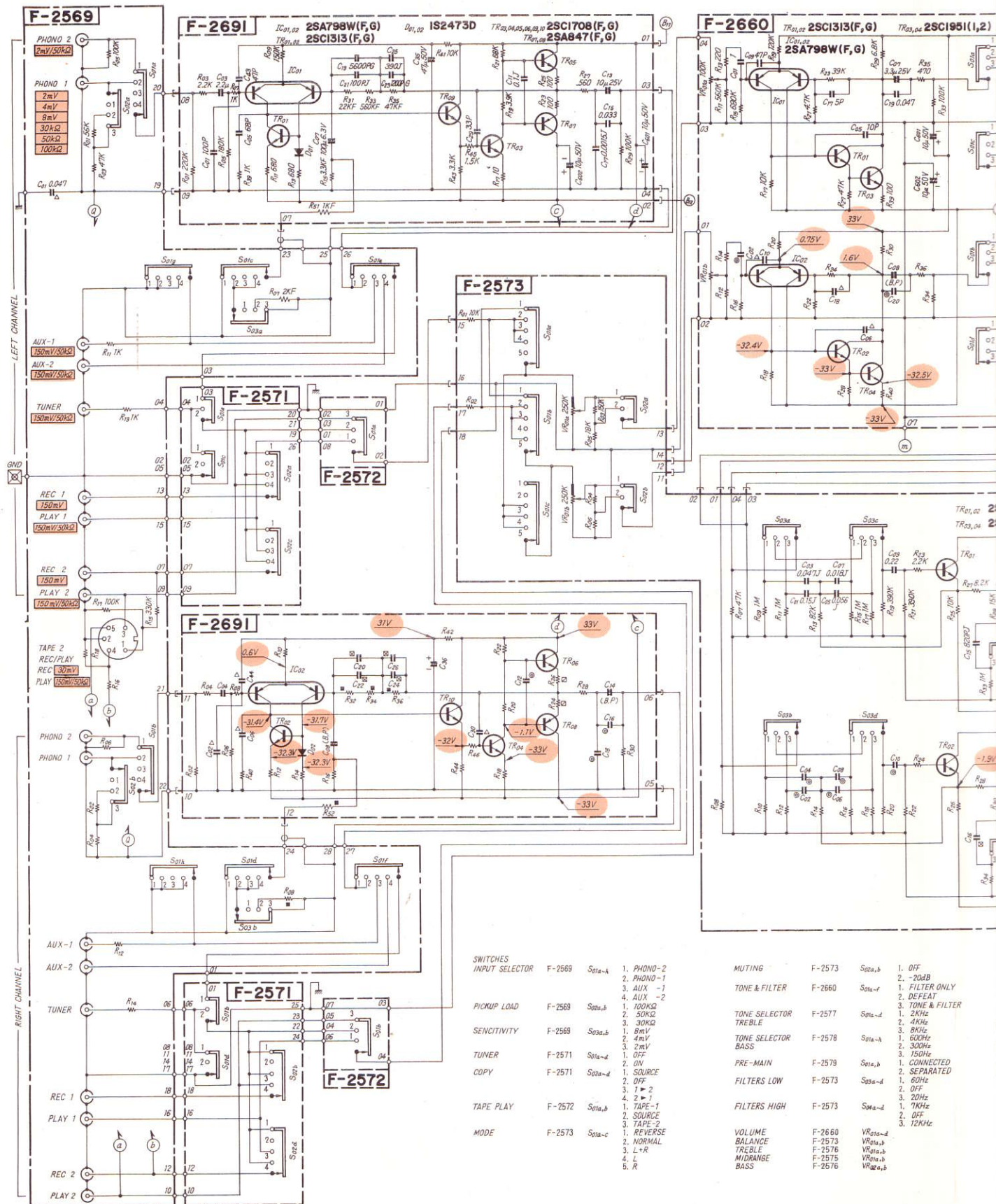
- 1. Room Temperature .....18°C~28°C (65°F~83°F)
- 2. Output Load (Speaker) .....8 ohms
- 3. A.C. Supply Voltage .....Rated Voltage ±2%
- 4. Turn down the volumes, VR01, VR02 on F-2661 till minimum (counterclockwise)
- 5. Level Volume .....Maximum
- 6. For this adjustment, run this unit for more than 3 minutes after turning on the power switch.

| STEP | SUBJECTS   | AUDIO OSCILLATOR  |                             | OUTPUT TERMINAL  | ADJUST                                  | ADJUST FOR   | REMARKS  |
|------|--|---|-----------------------------|--|---|--|--|
|      |  | OUTPUT  | CONNECTING POINT            |  |   |  |  |
| 1    | Distortion factors & Switching distortion adjustment | At 50kHz, Set the amplifier-output to 15V on both Channels by adjusting O.S.C. output level | Input terminal of amplifier | Speaker terminal 8Ω<br>Oscilloscope<br>Distortion<br>Meter<br>VTVM | VR01 (L-CH)<br>VR02 (R-CH)<br>on F-2661 | Minimum point of Distortion factors & Switching distortion | To avoid temperature rise, complete the adjustment in a short time |
| 2    | Bias Current confirmation (no input signal)          |   |                             | Refer to D.C. Milliammeter Fig. 5-1                                | VR01 (L-CH)<br>VR02 (R-CH)<br>on F-2661 | Confirm bias current to be within 50mA                     | Only being it over 50mA, Set it to 50mA Volume minimum             |

**Note:** After proceeding with Step 1, have a cooling off period, 5 to 10 minutes, to confirm the bias current. In case of not having a distortion meter, complete the adjustment by step 2 to obtain bias current 50mA.



# 6. SCHEMATIC DIAGRAM /6-1 AU-9900A/11000A Pre AMP. Section

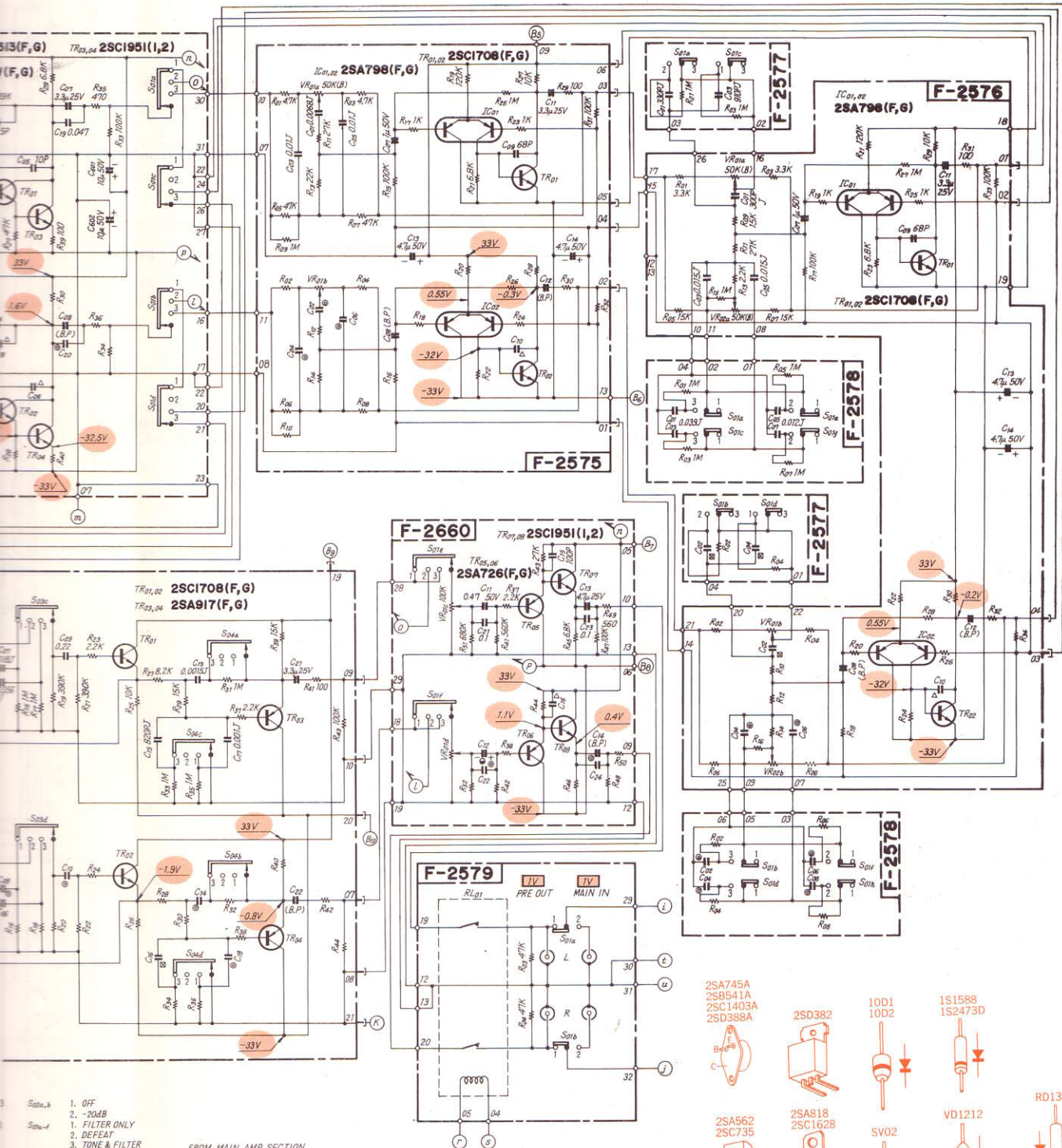


- SWITCHES**
- INPUT SELECTOR F-2569 S<sub>1a-a</sub>
    - PHONO-2
    - PHONO-1
    - AUX -1
    - AUX -2
  - PICKUP LOAD F-2569 S<sub>2a,b</sub>
    - 100KΩ
    - 50KΩ
    - 30KΩ
    - 8mV
    - 4mV
    - 2mV
  - SENSITIVITY F-2569 S<sub>3a,b</sub>
    1. OFF
    2. ON
    - 1 + 2
    - 2 + 1
  - TUNER F-2571 S<sub>1a-d</sub>
    1. SOURCE
    2. OFF
    3. 1 + 2
    4. 2 + 1
  - COPY F-2571 S<sub>1a-d</sub>
    1. TAPE-1
    2. SOURCE
    3. TAPE-2
  - TAPE PLAY F-2572 S<sub>1a,b</sub>
    1. REVERSE
    2. NORMAL
    3. L+R
    4. L
    5. R
  - MODE F-2573 S<sub>1a-c</sub>
    1. REVERSE
    2. NORMAL
    3. L+R
    4. L
    5. R

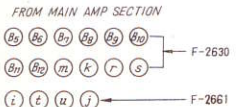
- MUTING** F-2573 S<sub>2a,b</sub>
  - OFF
  - 20dB
- tone & Filter** F-2660 S<sub>1a-f</sub>
  - FILTER ONLY
  - DEFEAT
  - TONE & FILTER
- Tone Selector** F-2577 S<sub>1a-d</sub>
  - 2KHz
  - 4KHz
  - 8KHz
  - 16KHz
- Tone Selector** F-2578 S<sub>1a-a</sub>
  - 60Hz
  - 300Hz
  - 150Hz
- PRE-MAIN** F-2579 S<sub>1a,b</sub>
  1. CONNECTED
  2. SEPARATED
- FILTERS LOW** F-2573 S<sub>2a-d</sub>
  1. 60Hz
  2. OFF
  3. 20Hz
  4. 1KHz
  5. 2. OFF
  6. 12KHz
- FILTERS HIGH** F-2573 S<sub>2a-d</sub>
  1. 60Hz
  2. OFF
  3. 20Hz
  4. 1KHz
  5. 2. OFF
  6. 12KHz
- VOLUME** F-2660 VR<sub>1a-d</sub>
- BALANCE** F-2573 VR<sub>1a,b</sub>
- TREBLE** F-2576 VR<sub>1a,b</sub>
- MIDRANGE** F-2575 VR<sub>1a,b</sub>
- BASS** F-2576 VR<sub>2a,b</sub>

\* La présentation et les spécifications sont susceptibles d'être modifiées sans préavis par suites d'améliorations éventuelles.  
 \* Änderungen, die dem technischen Fortschritt dienen, bleiben vorbehalten.  
 \* Design and specifications subject to change without notice for improvements.

on

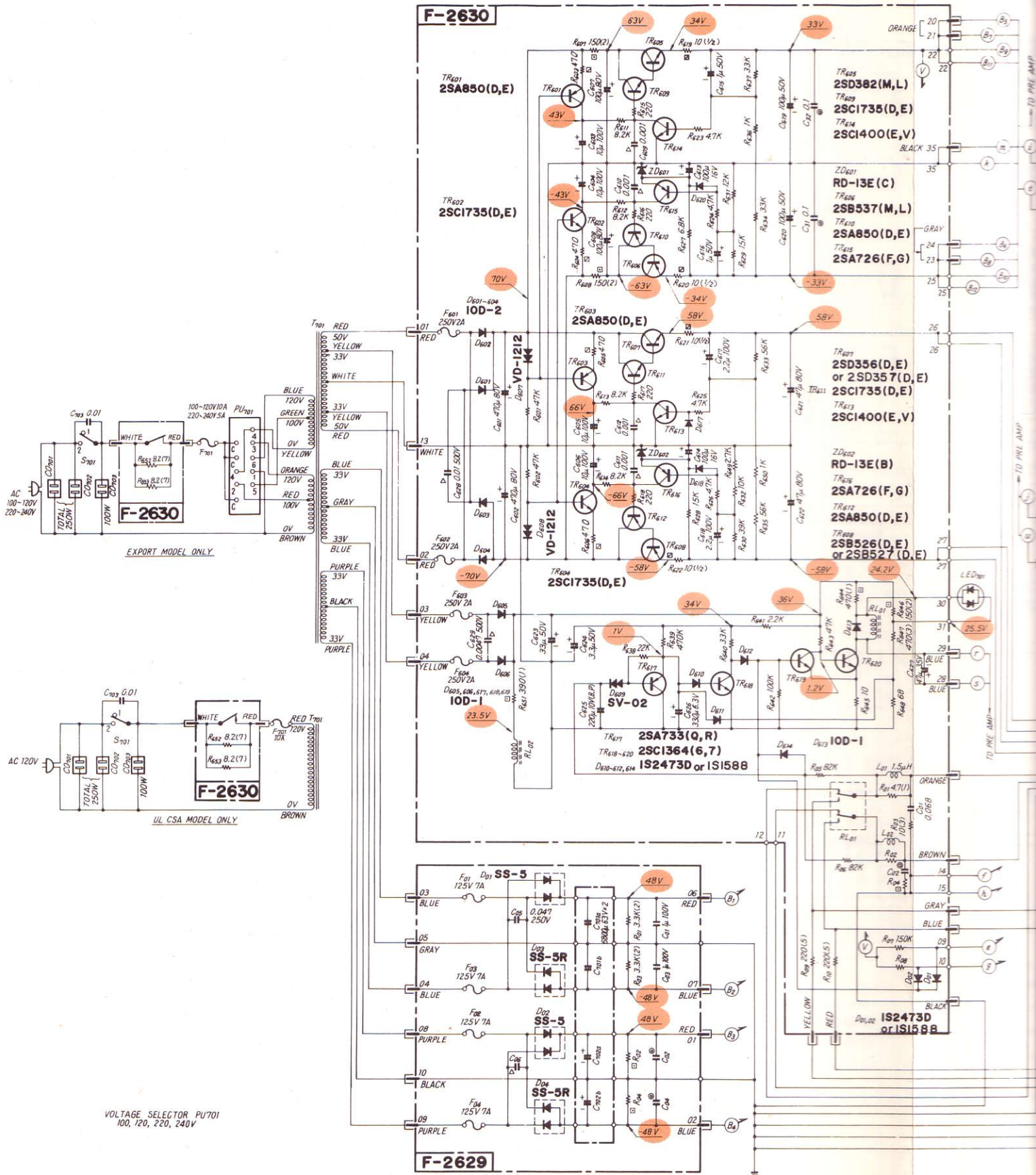


- Sps1-b 1. OFF  
 2. -20dB  
 Sps1-f 1. FILTER ONLY  
 2. DEFEAT  
 Sps1-d 1. TONE & FILTER  
 2. 2KHz  
 3. 4KHz  
 4. 8KHz  
 Sps1-a 1. 600Hz  
 2. 300Hz  
 3. 150Hz  
 Sps1-b 1. CONNECTED  
 2. SEPARATED  
 Sps1-d 1. 60Hz  
 2. OFF  
 3. 20Hz  
 Sps1-a 1. 7KHz  
 2. OFF  
 3. 12KHz  
 VR101-a  
 VR101-b  
 VR101-c  
 VR101-d  
 VR101-e  
 VR101-f

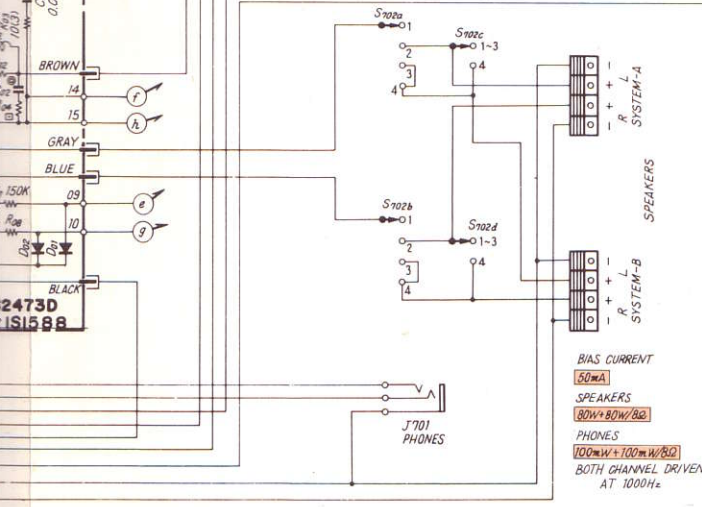
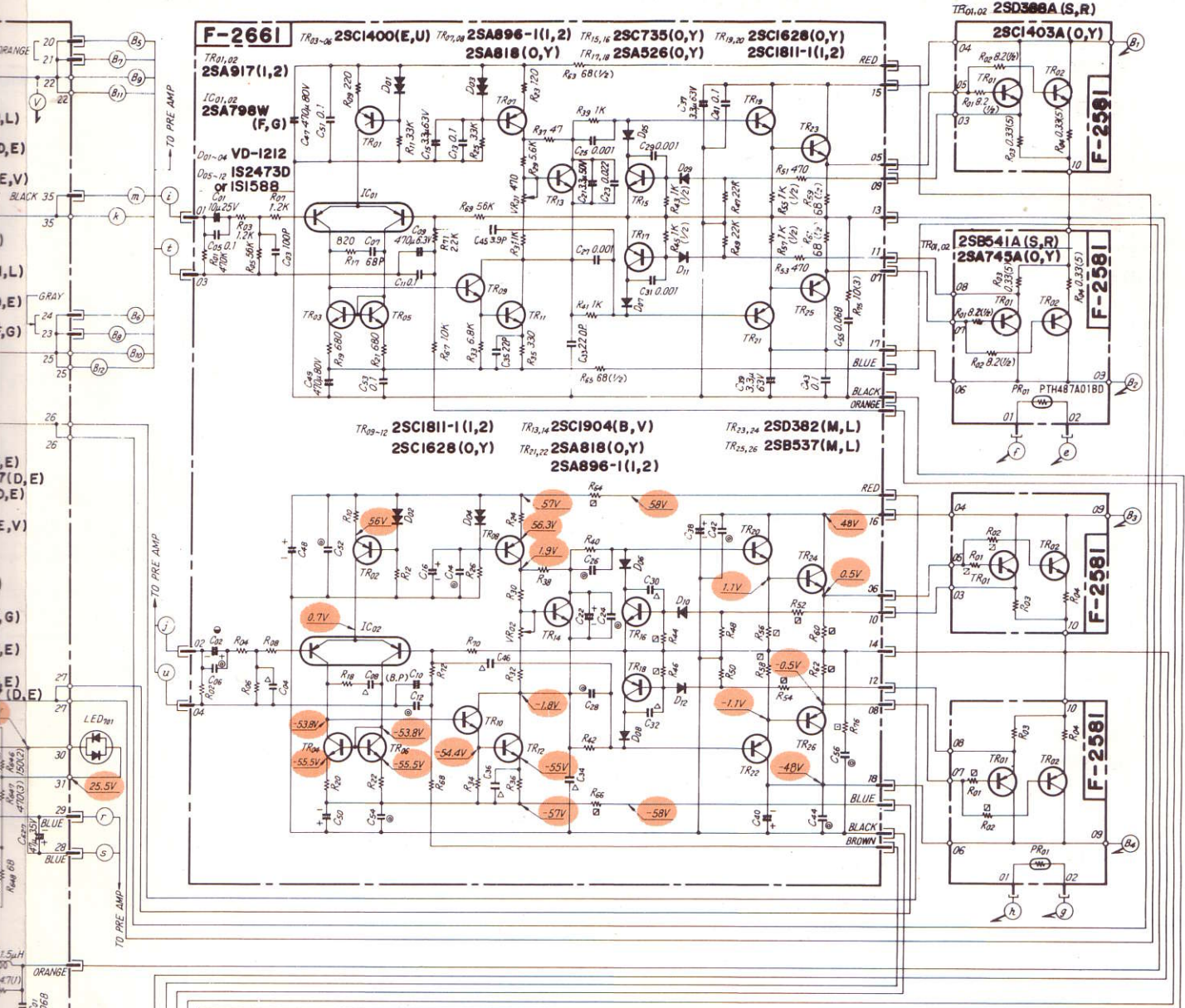


- |         |         |        |        |      |         |  |  |
|---------|---------|--------|--------|------|---------|--|--|
| 2SA733  | 2SA847  | 2SB526 | 2SB527 | 10D1 | 1S1588  |  |  |
| 2SA896  | 2SA726  | 2SD356 | 2SB537 | 10D2 | 1S2473D |  |  |
| 2SA917  | 2SA850  |        | 2SD357 |      |         |  |  |
| 2SC1811 | 2SC1708 |        |        |      |         |  |  |
| 2SC1951 | 2SC1313 |        |        |      |         |  |  |
| 2SC1364 | 2SC1735 |        |        |      |         |  |  |
| 2SC1400 |         |        |        |      |         |  |  |
- 2SA745A  
 2SB541A  
 2SC1403A  
 2SD388A  
 2SD382  
 2SA562  
 2SC735  
 2SA818  
 2SC1628  
 2SC1904  
 2SA798  
 10D1  
 10D2  
 SV02  
 SS51  
 SS151  
 SS5R  
 SS151R  
 VD1212  
 RD13E

6-2. AU-9900A Power AMP. Section



\* La présentation et les spécifications sont susceptibles d'être modifiées sans préavis par suites d'améliorations éventuelles.  
 \* Änderungen, die dem technischen Fortschritt dienen, bleiben vorbehalten.  
 \* Design and specifications subject to change without notice for improvements.



S701 POWER  
 1. OFF  
 2. ON

S702-a-d SPEAKERS  
 1. OFF  
 2. A  
 3. B  
 4. A+B

SYMBOL  
 Δ Ceramic  
 ● Mylar  
 ⊙ Styrol  
 (B.P) Bi-Polar Electrolytic  
 ⊕ Low-Leak Electrolytic  
 ⊖ Fusing Resistor  
 ⊞ Non-Flammable Resistor  
 ■ Metal Film Resistor

RESISTORS  
 Are in ohms, 1/4 Watts, ± 5% Tolerance  
 Unless Otherwise Noted. K:K2, M: M2

CAPACITORS  
 Are in μF, Unless Otherwise Noted. P: pF

TOLERANCE  
 J: ± 5%, G: ± 2%, F: ± 1%

—Y: DC Voltage at No Input Signal

BIAS CURRENT  
 50mA

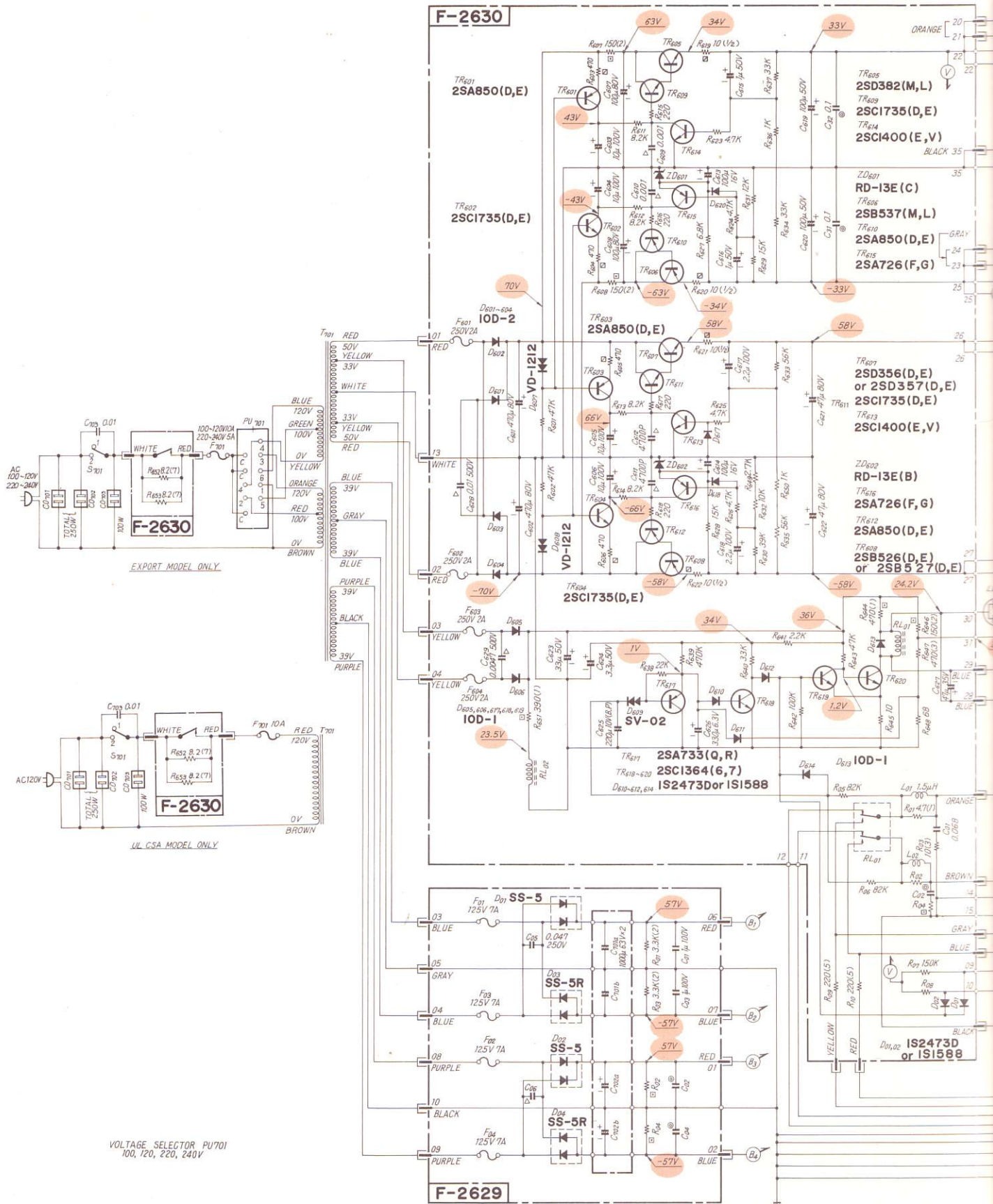
SPEAKERS  
 80W+80W/8Ω

PHONES  
 100mW+100mW/8Ω

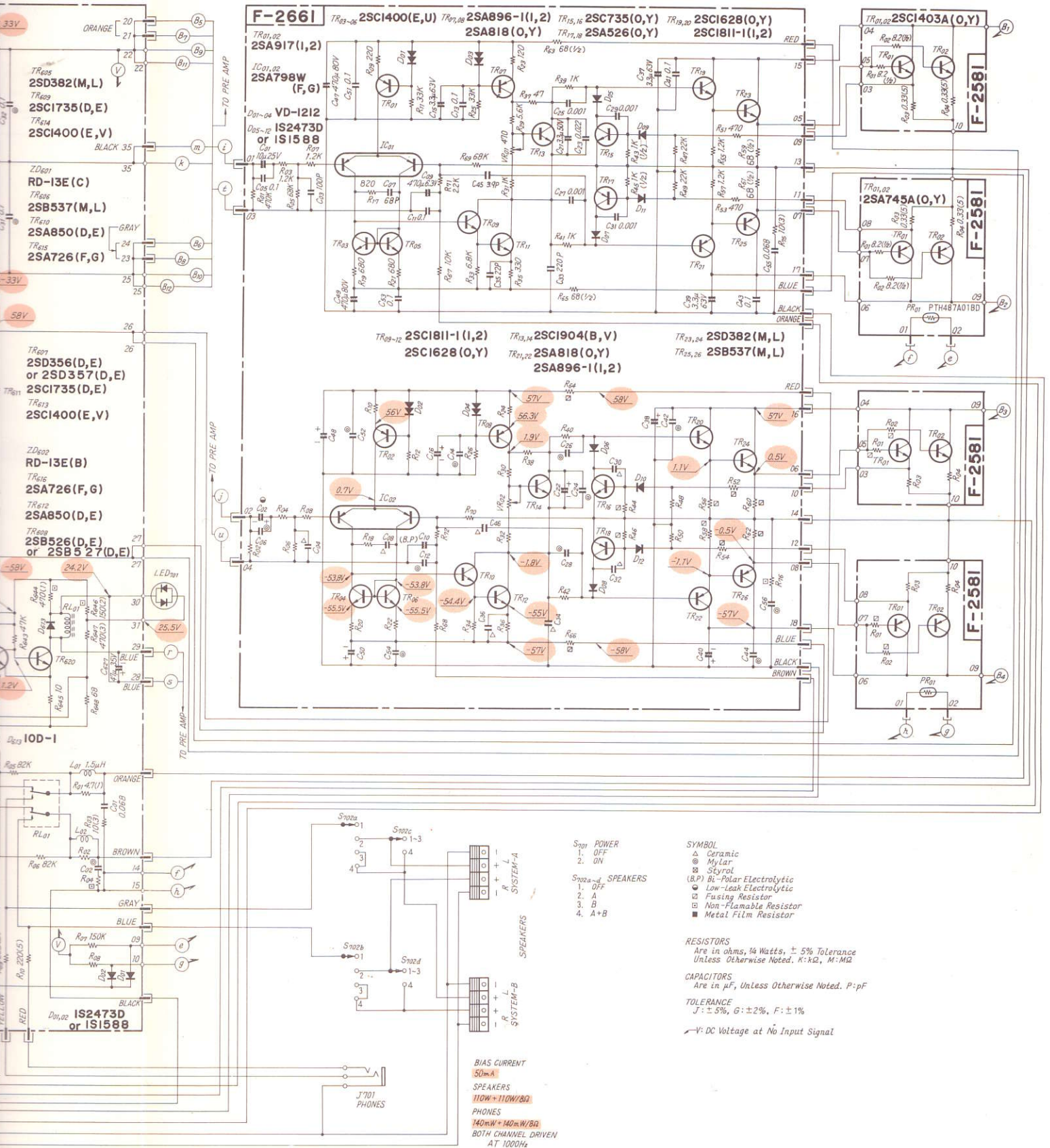
BOTH CHANNEL DRIVEN  
 AT 1000Hz



# 6-3. AU-11000A Power AMP. Section



• La présentation et les spécifications sont susceptibles d'être modifiées sans préavis par suites d'améliorations éventuelles.  
 • Änderungen, die dem technischen Fortschritt dienen, bleiben vorbehalten.  
 • Design and specifications subject to change without notice for improvements.



- S701 POWER  
 1. OFF  
 2. ON
- S702-a-d SPEAKERS  
 1. OFF  
 2. A  
 3. B  
 4. A+B

- SYMBOL  
 Δ Ceramic  
 ⊙ Mylar  
 Ⓢ Styrol  
 ⊖ Bi-Polar Electrolytic  
 ⊕ Low-Leak Electrolytic  
 □ Fusing Resistor  
 ▣ Non-Flammable Resistor  
 ■ Metal Film Resistor

RESISTORS  
 Are in ohms, 1/4 Watts, ± 5% Tolerance  
 Unless Otherwise Noted. K: kΩ, M: MΩ

CAPACITORS  
 Are in μF, Unless Otherwise Noted. P: pF

TOLERANCE  
 J: ± 5%, G: ± 2%, F: ± 1%

—V: DC Voltage at No Input Signal

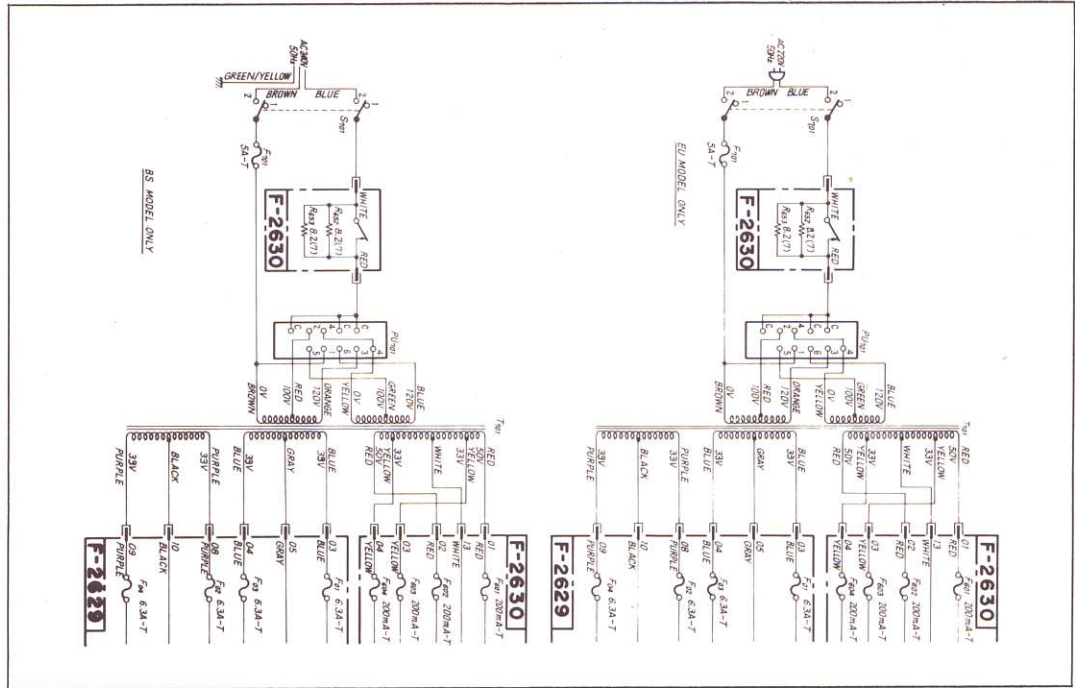
BIAS CURRENT  
 50mA

SPEAKERS  
 110W+110W/8Ω

PHONES  
 140mW+140mW/8Ω  
 BOTH CHANNEL DRIVEN  
 AT 1000Hz

### 6-4. AU-9900A Power Supply Section

EU, BS MODEL ONLY



### 6-5. AU-11000A Power Supply Section

EU, BS MODEL ONLY

