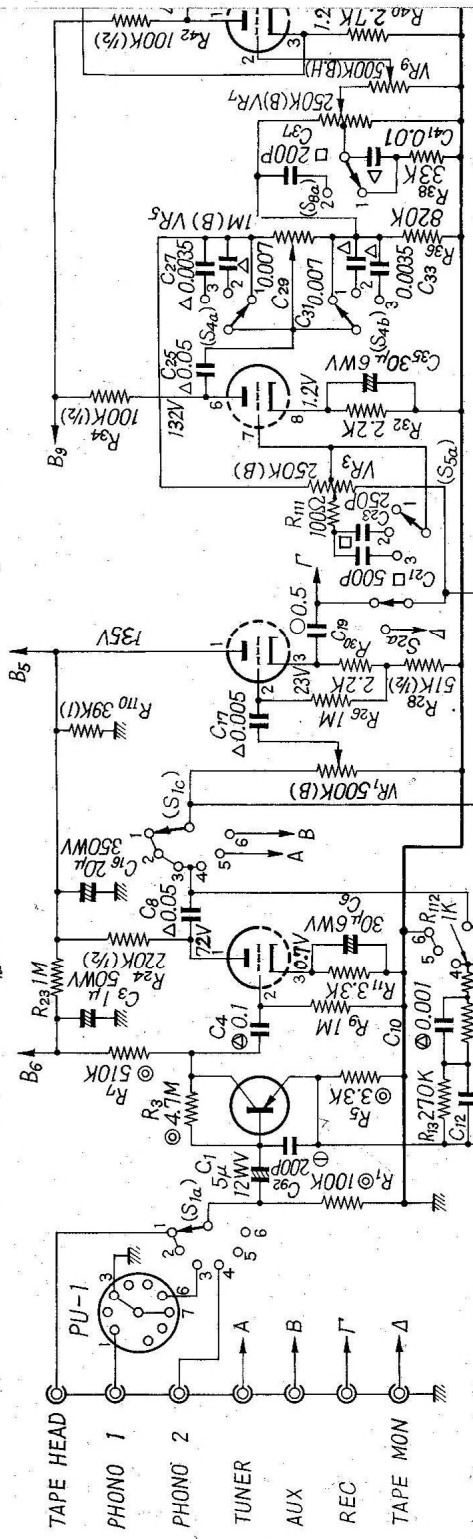


SCHEMATIC DIAGRAM

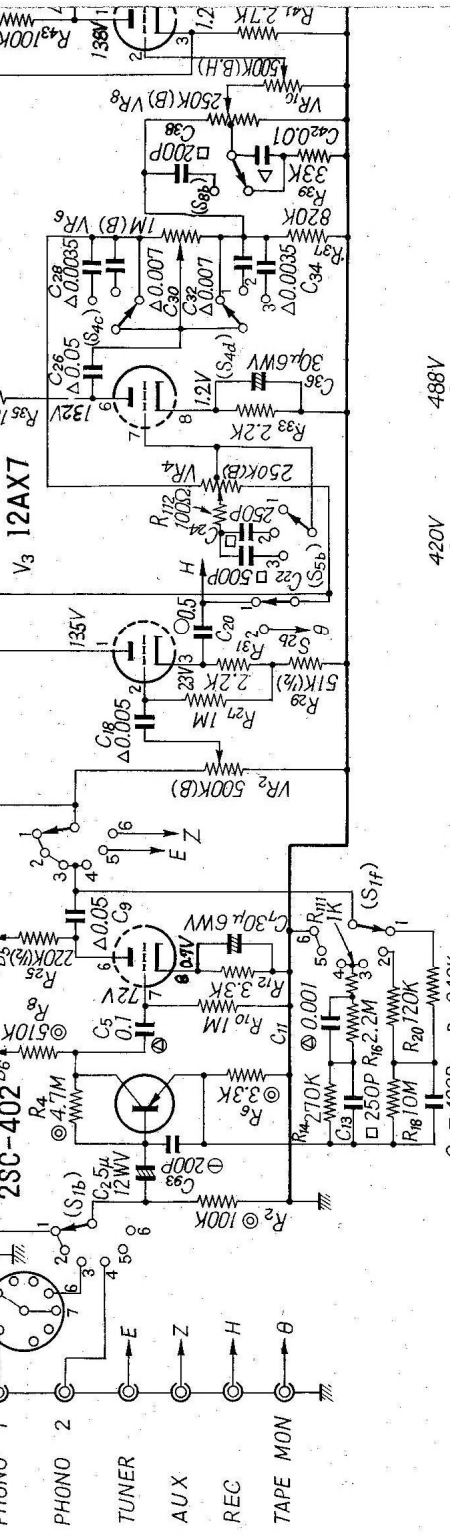
TR₁ 2SC-402 V_{1/2} 12AX7

V₂ 12AX7



TR₂ 2SC-402 V_{1/2} 12AX7

V₃ 12AX7



C₁₅ □ 400P R₂₂ 240K
S₄ (α~d) TONE SW

- 1 DEFEAT
- 2 250%
- 3 500%

S₅ (α~b) TONE SW

- 1 DEFEAT
- 2 5K%
- 3 2.5K%

S₆ (α~b)

- 1 OFF
- 2 ON LOW FILTER

S₇ (α~b)

- 1 OFF
- 2 ON HIGH FILTER

S₈ (α~b)

- 1 OFF
- 2 ON LOUDNESS

- △ OIL
- MICA
- MP
- ⊙ MYLAR
- ⊕ NOISELESS
- ⊖ CERAMIC

S₁ (α~f) FUNCTION SW

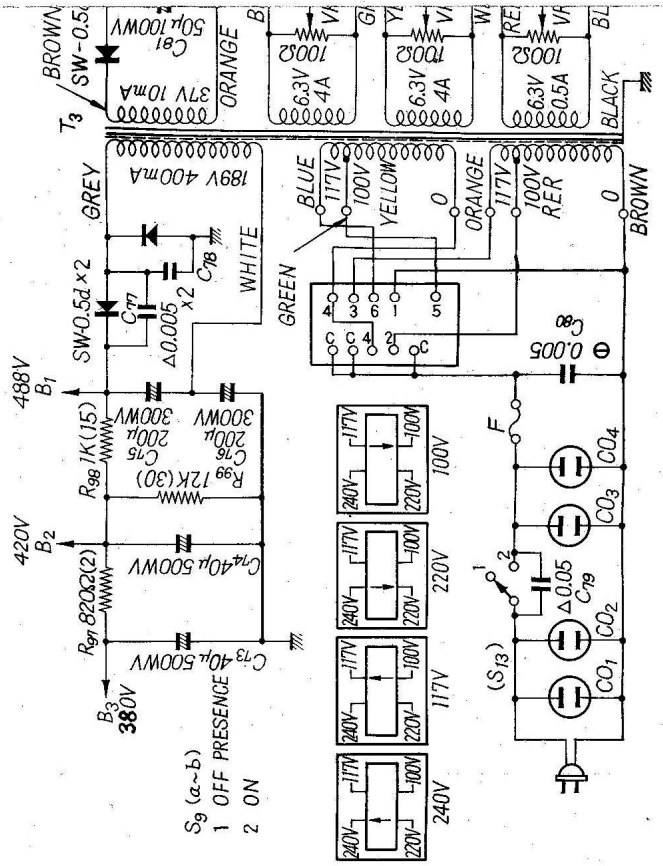
- 1 TAPE HEAD 19cm/sec
- 2 TAPE HEAD 9.5cm/sec
- 3 PHONO 1
- 4 PHONO 2
- 5 TUNER
- 6 AUX

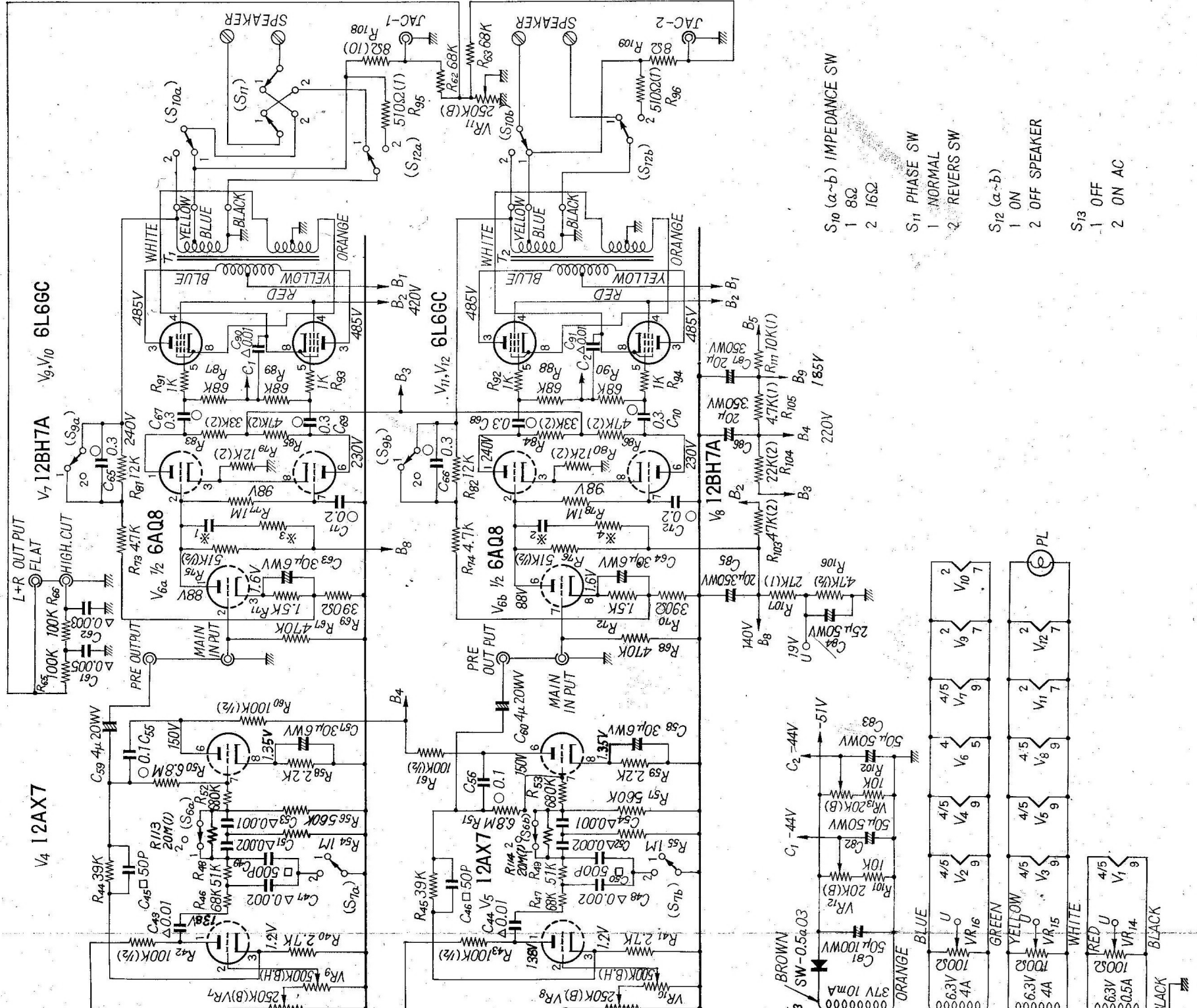
S₂ (α~b)

- 1 OFF
- 2 ON TAPE MONITOR

S₃ (α~b)

- 1 OFF
- 2 ON L+R





S10 (a~b) IMPEDANCE SW
 1 8Ω
 2 16Ω

S11 PHASE SW
 1 NORMAL
 2 REVERS SW

S12 (a~b)
 1 ON
 2 OFF SPEAKER

S13
 1 OFF
 2 ON AC

