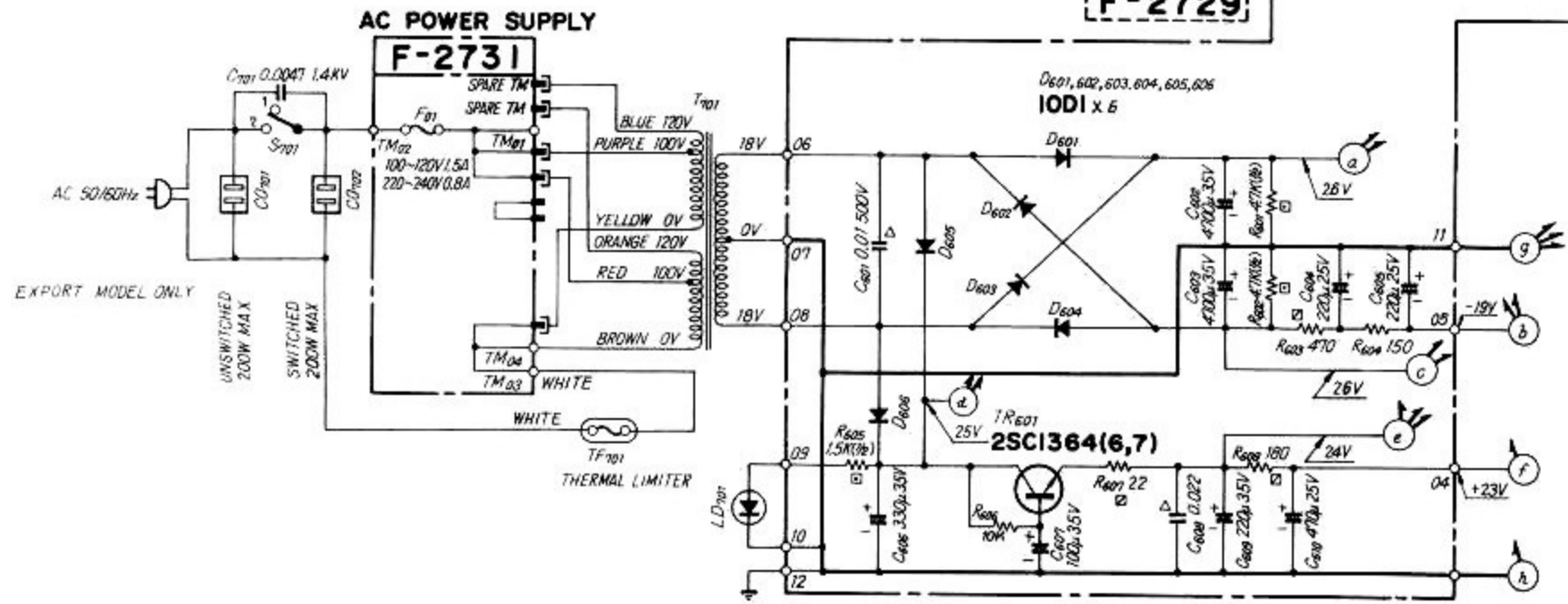
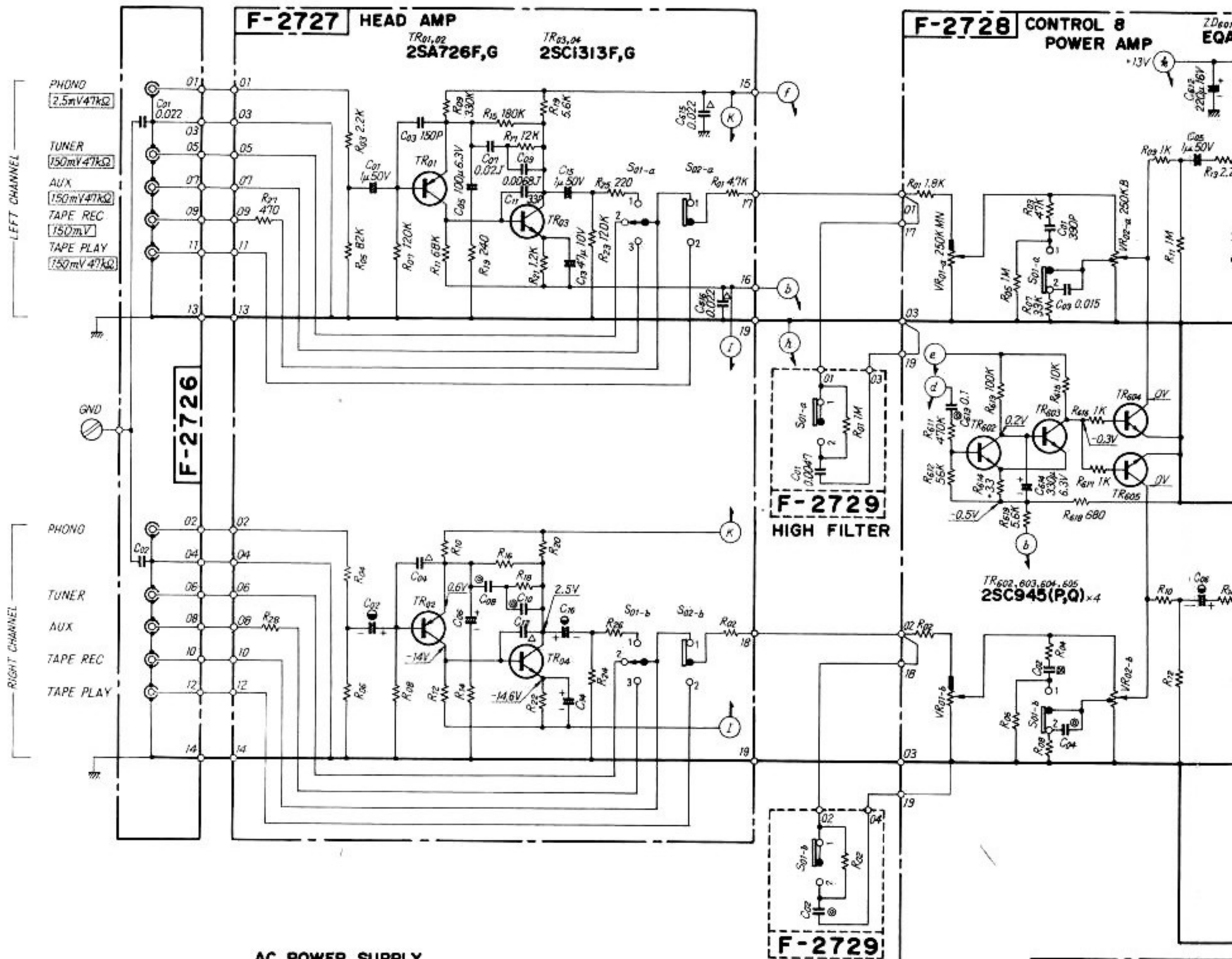
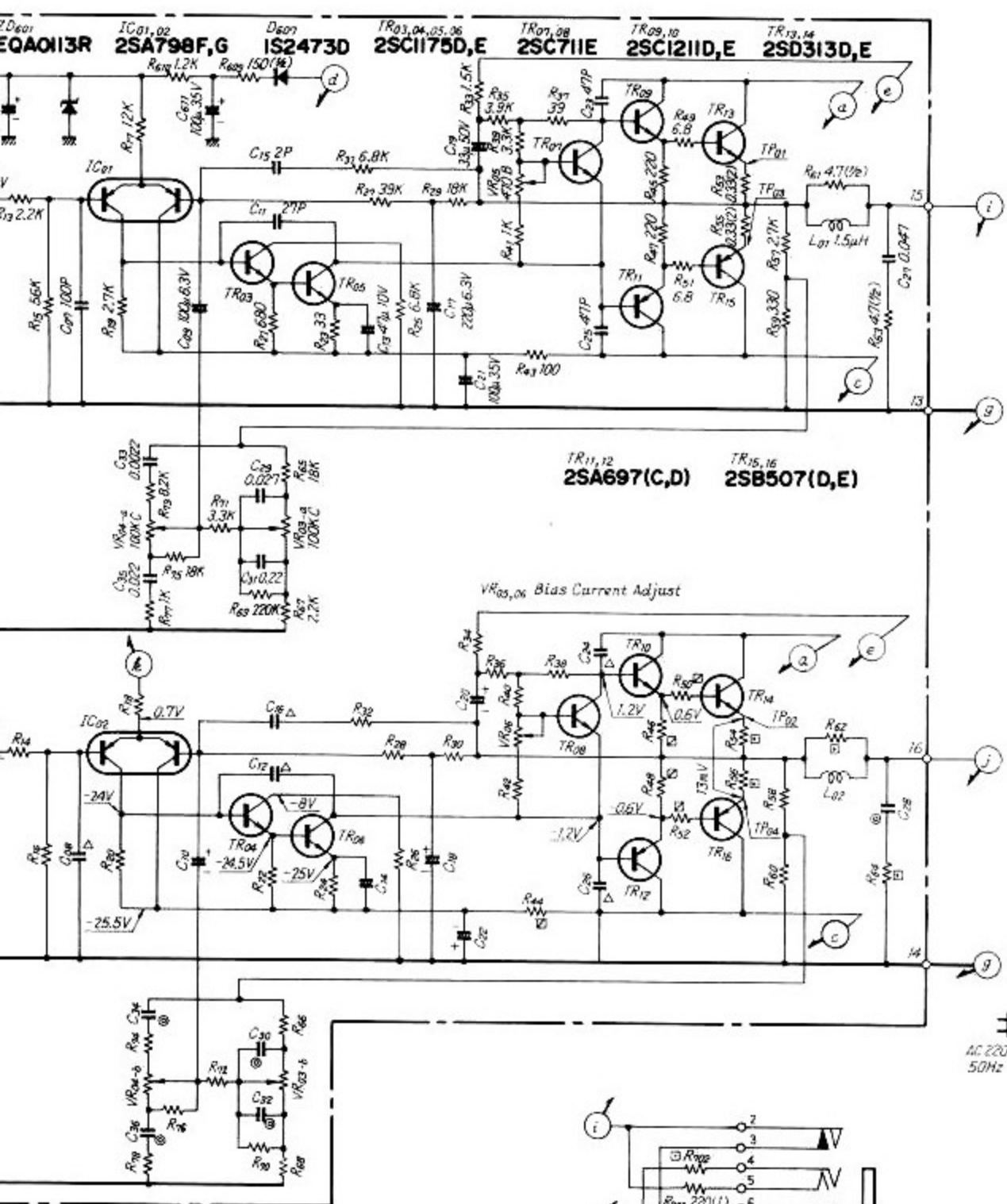


# SANSUI AU-117 SCHEMATIC DIAGRAM

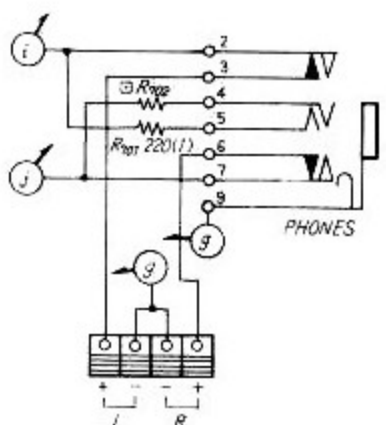


• Design and specifications subject to change without notice for improvement.  
 • La présentation et les spécifications sont susceptibles d'être modifiées sans préavis par suites d'améliorations éventuelles.  
 • Änderungen, die dem technischen Fortschritt dienen, bleiben vorbehalten.



- SWITCHES & CONTROLS**
- INPUT SELECTOR  $S_{01-a-b}$  F-2721
    1. PHONO
    2. TUNER
    3. AUX
  - TAPE MONITOR  $S_{02-a-b}$  F-2727
    1. SOURCE
    2. TAPE
  - HIGH FILTER  $S_{01-a-b}$  F-2729
    1. OFF
    2. ON
  - LOUDNESS  $S_{01-a-b}$  F-2728
    1. ON
    2. OFF
  - POWER
    1. OFF
    2. ON
- SYMBOL**
- △ Ceramic
  - Styrol
  - ⊙ Mylor
  - ⊖ Low-Leak Electrolytic
  - ⊞ Fusing Resistor
  - ⊠ Non-Inflammable Resistor

- RESISTORS**  
 Are in ohms, 1/4 Watts, ±5% Tolerance  
 Unless otherwise Noted. K:kΩ, M:MΩ
- CAPACITORS**  
 Are in μF, Unless otherwise Noted. P:pF
- TOLERANCE**  
 J:±5%, G:±2%, F:±1%



- SPEAKERS**  
 15W + 15W / B2
- PHONES**  
 16mW + 16mW / B2
- Both Channel Driven  
 BIAS CURRENT  
 20mA TP01-TP03, TP02-TP04 / 13mV

