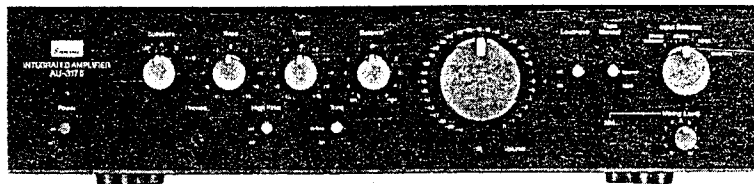




# SERVICE MANUAL

INTEGRATED STEREO AMPLIFIER

## SANSUI AU-117II AU-217II AU-317II



SANSUI ELECTRIC CO., LTD.

1323

### SPECIFICATIONS

#### ● AU-117II

##### Power output

Min. RMS, both channels driven, from 20 to 20,000 Hz, with no more than 0.17 % harmonic distortion.

25 watts per channel into 8 ohms

Load impedance . . . . . 8 ohms

##### Total harmonic distortion

. . . . . less than 0.17 % at or below rated min. RMS power output

Intermodulation distortion (70 Hz : 7 kHz = 4:1 SMPTE method) . . . . . less than 0.17 % at or below rated min. RMS power output

##### Frequency response (at 1 watt)

. . . . . 10 to 40,000 Hz +0.5 dB -2 dB

Damping factor . . . . . approximately 50 at 8 ohms load

##### RIAA curve deviation (PHONO)

. . . . . +0.5 dB -0.5 dB  
(30 to 15,000 Hz)

##### Input sensitivity and impedance (1 kHz, for rated power output)

PHONO . . . . . 2.5 mV/47 kilohms

(Max. input capability; 160 mV at 1 kHz, less than 0.2 % total harmonic distortion)

AUX, TAPE . . . . . 150 mV/47 kilohms

##### Output level (1,000 Hz)

TAPE REC (pin jack)

. . . . . 150 mV/47 kilohms

##### Channel separation (1 kHz, at rated power output)

PHONO . . . . . better than 65 dB

AUX . . . . . better than 68 dB

##### Hum and noise (short-circuit, A-network)

PHONO . . . . . 76 dB

AUX . . . . . 95 dB

##### Controls

BASS . . . . . ±12 dB (50 Hz)

TREBLE . . . . . ±11 dB (15 kHz)

HIGH FILTER . . . . . -3 dB (7 kHz), 6 dB/oct

##### LOUDNESS (-30 dB)

. . . . . 8 dB at 50 Hz

6 dB at 10 kHz

##### Power requirements

Power voltage . . . . . 100, 120, 220, 240 V  
(50/60 Hz)

##### For U.S.A. and Canada

. . . . . 120 V (60 Hz)

Power consumption . . . . . 80 watts

Dimensions . . . . . 430 mm (16-15/16") W

110 mm (4-3/8") H

340 mm (13-7/16") D

Weight . . . . . 6.7 kg (14.8 lbs) net

8.2 kg (18.1 lbs) packed

#### ● AU-217II

##### Power output

Min. RMS, both channels driven, from 20 to 20,000 Hz, with no more than 0.06 % harmonic distortion.

40 watts per channel into 8 ohms

Load impedance . . . . . 8 ohms

##### Total harmonic distortion

. . . . . less than 0.06 % at or below rated min. RMS power output

Intermodulation distortion (70 Hz : 7 kHz = 4:1 SMPTE method) . . . . . less than 0.06 % at or below rated min. RMS power output

##### Frequency response (at 1 watt)

. . . . . 10 to 50,000 Hz +0.5 dB -1.5 dB

Damping factor . . . . . approximately 80 at 8 ohms load

##### RIAA curve deviation (PHONO)

. . . . . +0.5 dB -0.5 dB  
(30 to 15,000 Hz)

to be continued ▶

<AU-217II>

Input sensitivity and impedance (1 kHz, for rated power output)

PHONO . . . . . 2.5 mV/47 kilohms  
(Max. input capability; 200 mV at 1 kHz, less than 0.05 % total harmonic distortion)

AUX, TAPE . . . . . 150 mV/47 kilohms

Output level (1,000 Hz)

TAPE REC (pin jack)  
. . . . . 150 mV/47 kilohms

Channel separation (1 kHz, at rated power output)

PHONO . . . . . better than 65 dB

AUX . . . . . better than 68 dB

Hum and noise (short-circuit, A-network)

PHONO . . . . . 76 dB

AUX . . . . . 95 dB

Controls

BASS . . . . . ±12 dB (50 Hz)

TREBLE . . . . . ±11 dB (15 kHz)

PHONO SUBSONIC

. . . . . -3 dB (13 Hz), 6 dB/oct

HIGH FILTER . . . . . -3 dB (7 kHz), 6 dB/oct

LOUDNESS (-30 dB)

. . . . . 8 dB at 50 Hz

. . . . . 6 dB at 10 kHz

Power requirements

Power voltage . . . . . 100, 120, 220, 240 V  
(50/60 Hz)

For U.S.A. and Canada

. . . . . 120 V (60 Hz)

Power consumption 120 watts

Dimensions . . . . . 430 mm (16-15/16") W

. . . . . 110 mm (4-3/8") H

. . . . . 340 mm (13-7/16") D

Weight . . . . . 8.3 kg (18.3 lbs) net

. . . . . 9.8 kg (21.6 lbs) packed

● AU-317II

Power output

Min. RMS, both channels driven, from 20 to 20,000 Hz,  
with no more than 0.03 % harmonic distortion.

60 watts per channel into 8 ohms

Load impedance . . . . . 8 ohms

Total harmonic distortion

. . . . . less than 0.03 % at or below rated  
min. RMS power output

Intermodulation distortion (70 Hz : 7 kHz = 4:1 SMPTE  
method) . . . . . less than 0.03 % at or below rated  
min. RMS power output

Frequency response (at 1 watt)

. . . . . 5 to 70,000 Hz +0 dB -1.8 dB

Damping factor (1 kHz, both channels driven)

. . . . . 70 into 8 ohms

RIAA curve deviation (PHONO, 20 Hz to 20 kHz)

. . . . . +0.2 dB, -0.2 dB

Input sensitivity and impedance (1 kHz)

PHONO . . . . . 2.5 mV/47 kilohms

(Max. input capability; 220 mV at 1 kHz, less than 0.08 % total harmonic distortion)

AUX, TAPE . . . . . 150 mV/47 kilohms

MIC . . . . . 8 mV/10 kilohms

Output level and impedance (1,000 Hz)

TAPE REC . . . . . 150 mV/47 kilohms

Channel separation (1 kHz, at rated power output)

PHONO . . . . . better than 65 dB

AUX . . . . . better than 75 dB

Hum and noise (short-circuit, A-network)

PHONO . . . . . 77 dB

TAPE/AUX . . . . . 100 dB

Controls

BASS . . . . . ±11 dB (50 Hz)

TREBLE . . . . . ±10 dB (15 kHz)

PHONO SUBSONIC

. . . . . -3 dB (13 Hz), 6 dB/oct

HIGH FILTER . . . . . -3 dB (7 kHz), 6 dB/oct

LOUDNESS (VOLUME control: -30 dB)

. . . . . 9 dB at 50 Hz

. . . . . 7 dB at 10 kHz

Power requirements

Power voltage . . . . . 100, 120, 220, 240 V  
(50/60 Hz)

For U.S.A. and Canada

. . . . . 120 V (60 Hz)

Power consumption

Maximum consumption

. . . . . 180 watts

Rated consumption

. . . . . 180 watts 220 VA

Dimensions . . . . . 430 mm (16-15/16") W

. . . . . 110 mm (4-3/8") H

. . . . . 340 mm (13-7/16") D

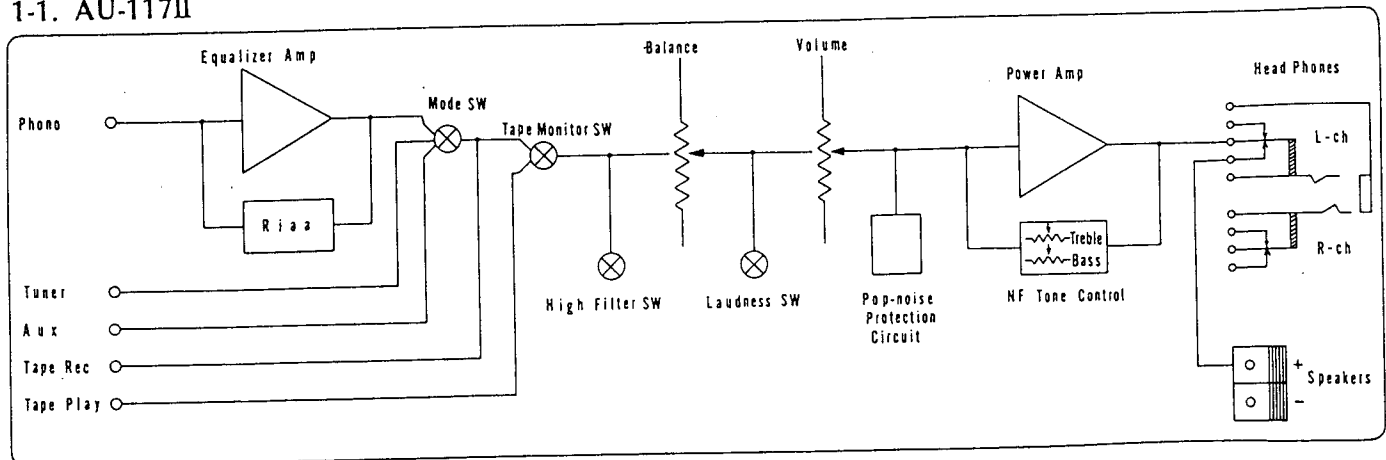
Weight . . . . . 9.8 kg (21.6 lbs) net

. . . . . 11.3 kg (24.9 lbs) packed

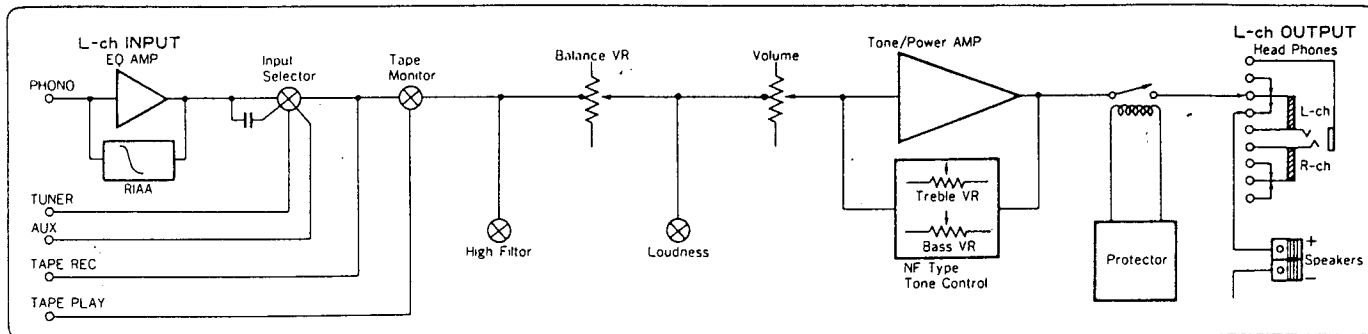
\* Design and specifications subject to change without notice for improvements.

# 1. BLOCK DIAGRAM

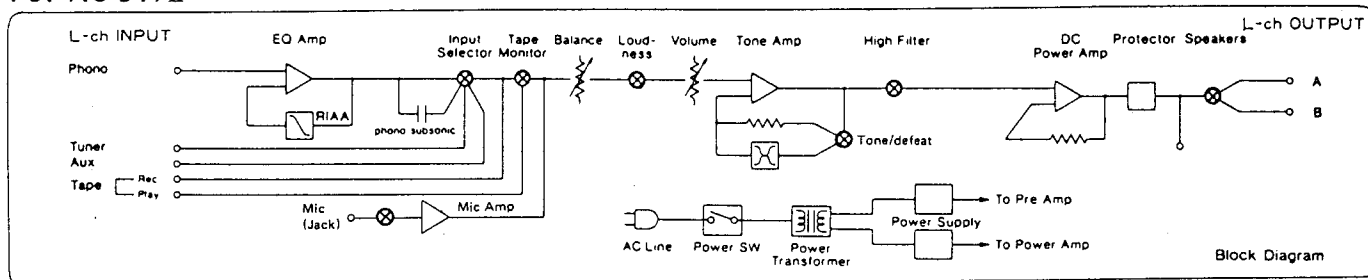
## 1-1. AU-117II



1-2. AU-217II



1-3. AU-317II



2. ADJUSTMENTS

- Note: 1. Master Volume . . . . . Minimum  
2. Room Temperature . . . . . 18°C ~ 28°C  
(65°F ~ 83°F)

3. For adjustment, run the unit for more than 3 minutes after the power is switched on.

2-1. AU-117II

A) Bias Current adjustment (see the picture of Bottom View on page 7)

Note: 1. By turning adjustment volumes, VR05 and VR06 counterclockwise, the bias current is decreased.

	EQUIPMENT	MEASURE OUTPUT	ADJUST	ADJUST FOR
L-ch	DC Volt Meter	Between TP01 (+) and TP03 (-) F-2728	VR05 F-2728	13 mV
R-ch	DC Volt Meter	Between TP02 (+) and TP04 (-) F-2728	VR06 F-2728	13 mV

2-3. AU-317II

A) DC 0V adjustment (see the picture of Top View on page 8)

Note: At first, set VR01, VR03 for L-CH and VR02, VR04 for R-CH to center position, then make the rough adjustment by VR03, VR04 and fine adjust by VR01, VR02.

	EQUIPMENT	MEASURE OUTPUT	ADJUST	ADJUST FOR
L-ch	DC Volt Meter	Speaker Terminal between (+) and (-)	F-2754 VR03, VR01	DC 0V
R-ch	DC Volt Meter	Speaker Terminal between (+) and (-)	F-2754 VR04, VR02	DC 0V

2-2. AU-217II

A) Bias Current adjustment (see the picture of Top View on page 8)

Note: 1. By turning adjustment volumes, VR01 and VR02 counterclockwise, the bias current is decreased.

	EQUIPMENT	MEASURE OUTPUT	ADJUST	ADJUST FOR
L-ch	DC Volt Meter	TP Terminal (+) (-) of F-2760	F-2760 VR01	7 mV
R-ch	DC Volt Meter	TP Terminal (+) (-) of F-2760	F-2760 VR02	7 mV

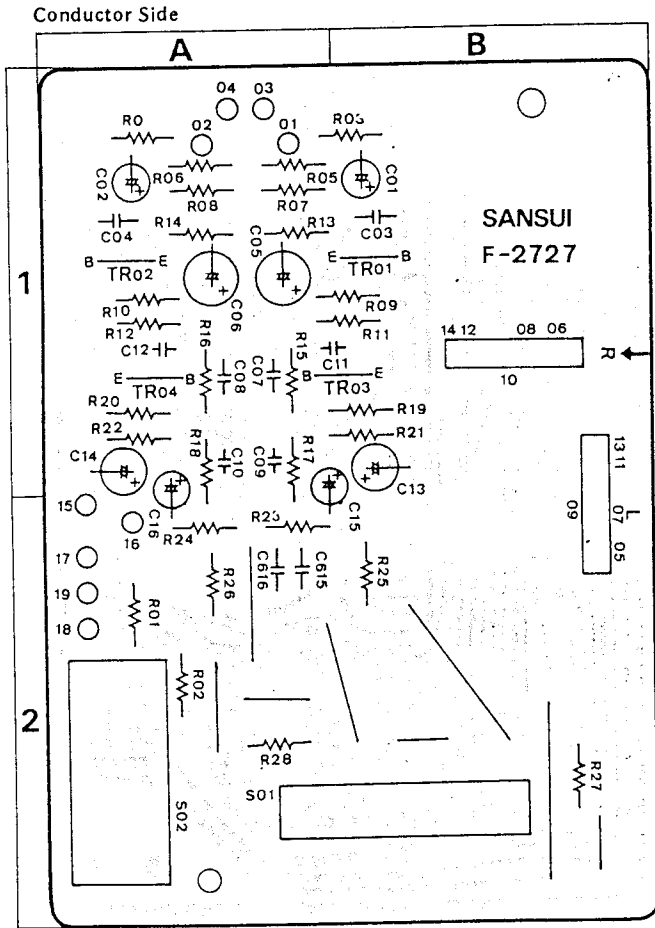
B) Bias Current adjustment (see the picture of Top View on page 8)

Note: 1. By turning adjustment volumes, VR05 and VR06 counterclockwise, the bias current is decreased.

	EQUIPMENT	MEASURE OUTPUT	ADJUST	ADJUST FOR
L-ch	DC Volt Meter	Between TP01 (+) and TP03 (-) F-2754	F-2754 VR05	13 mV
R-ch	DC Volt Meter	Between TP02 (+) and TP04 (-) F-2754	F-2754 VR06	13 mV



B) F-2727 Equalizer Circuit Board (Stock No. 7551491)(AU-117II Only)



Parts List

Parts No.	Stock No.	Description	Position
*Transistor			
TR01,02	0301090,1	2SA992 F	1B,1A
TR03,04	0306740,1	2SC1845 F	1B,1A
S 01	1101800	Rotary Switch, input selector	2B
S 02	1171050	Lever Switch, tape monitor	2A

Note:

The circuit boards, F-2726, F-2729 & F-2731 are not supplied as the assembled, the individual parts on the circuit boards, however are provided for orders.

C) F-2726 Input Terminal Circuit Board (AU-117II Only)

Parts List

Stock No.	Description
2200580	4P Input Terminal, tuner, aux, tape
2200600	2P Input Terminal, phone

D) F-2729 Filter Circuit Board (AU-117II Only)

Parts List

Parts No.	Stock No.	Description
S 01	1171020	Lever Switch, high filter

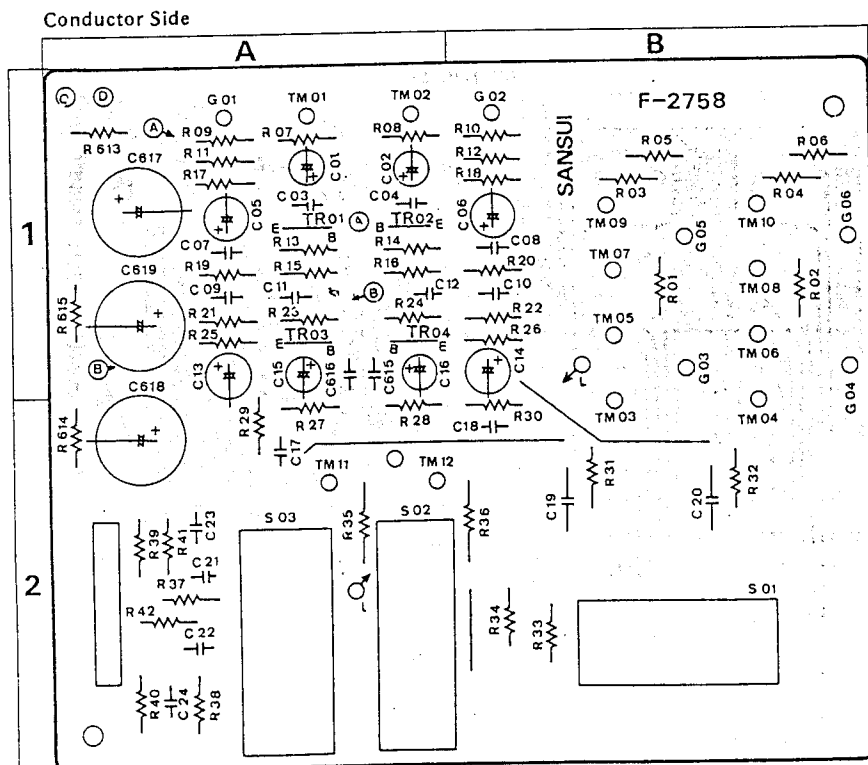
E) F-2731 Voltage Selector Circuit Board (AU-117II Only)

Parts List

Parts No.	Stock No.	Description
F 01	0432220	1A 250V AC Fuse
	0432240	2A 250V AC Fuse
	2310220	Fuse Holder (Large)

3-2. AU-217II

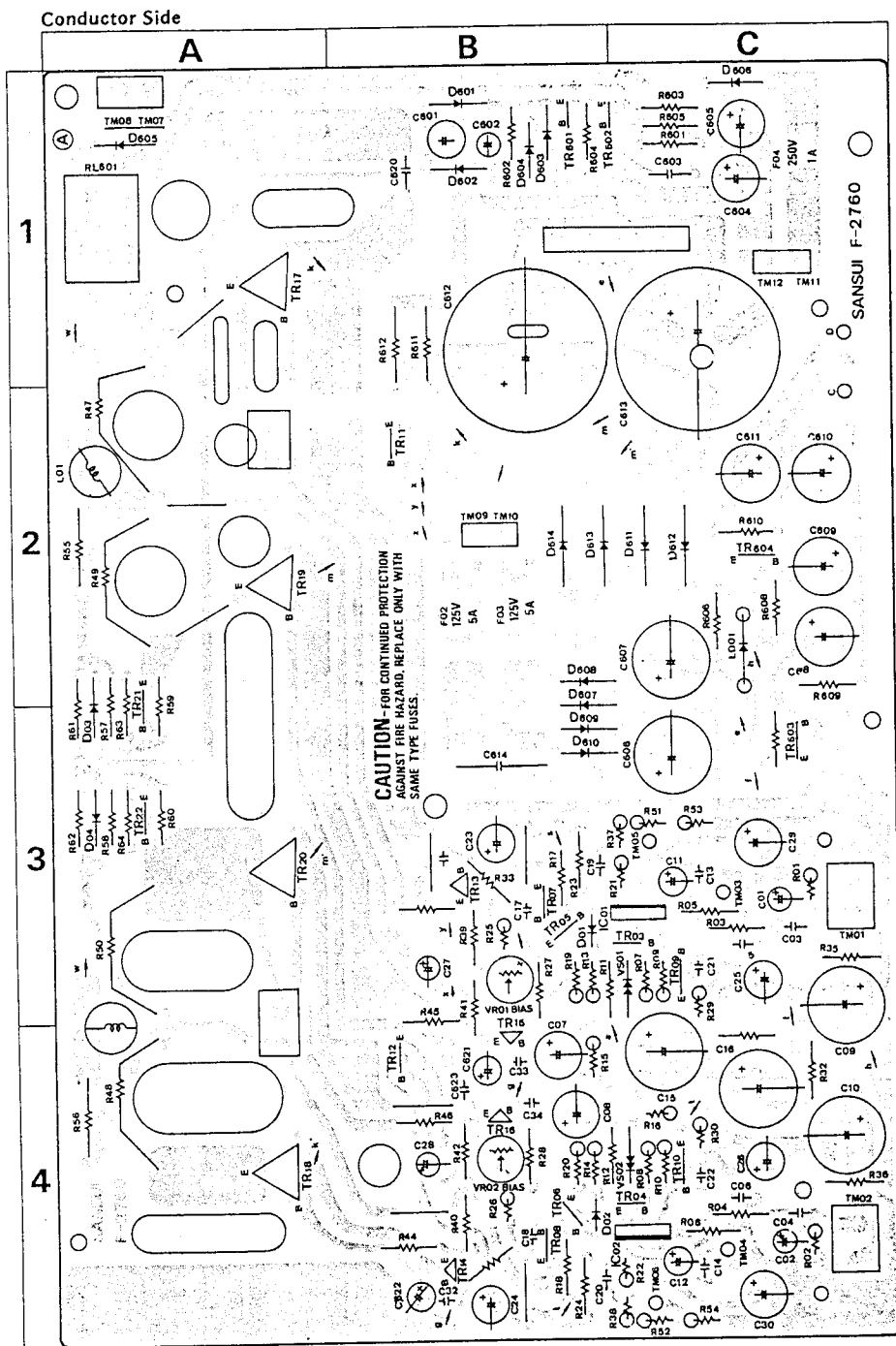
A) F-2758 Equalizer Circuit Board (Stock No. 7551481)(AU-217II Only)



Parts List

Parts No.	Stock No.	Description	Position
*Transistor			
TR01,02	0301090,1	2SA992 F	1A
TR03,04	0306740,1	2SC1845 F	1A
C 17, 18	0620621	620pF 50V P.C.	2A,2B
C 21, 22	0620391	390pF 50V P.C.	2A
S 01	1102740	Rotary Switch, input selector	2B
S 02	1171030	Lever Switch, tape monitor	2A
S 04	1171020	Lever Switch, loudness	

B) F-2760 Power Amplifier Circuit Board (Stock No. 7572211) (AU-217II Only)



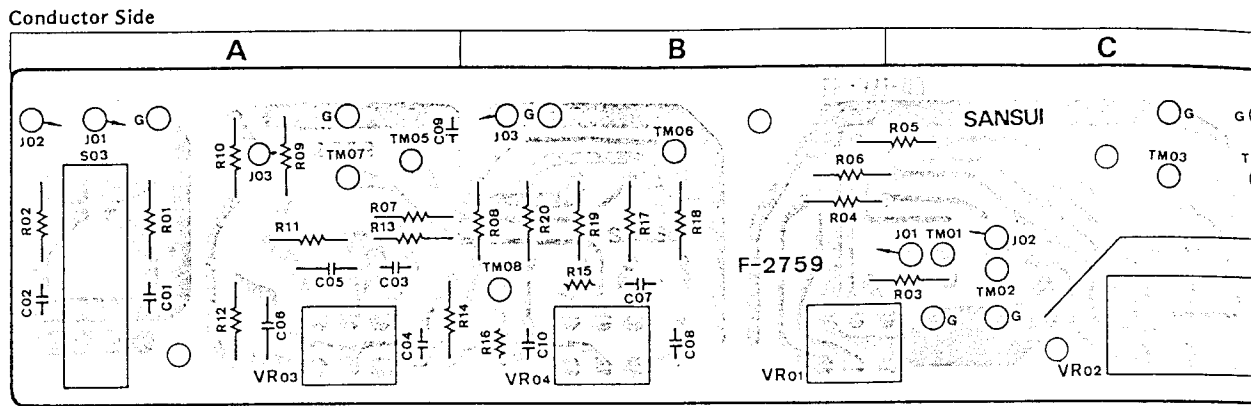
Parts List

Parts No.	Stock No.	Description	Position
<b>*Transistor</b>			
TR03, 04	0300470, 1	2SA726 F, G	3C, 4C
TR05, 06	0306740, 1	2SC1845 F, E	3B, 4B
TR07, 08	0301090, 1	2SA992 F, E	3B, 4B
TR09, 10	0306740, 1	2SC1845 F, E	3C, 4C
TR11, 12	0306070, 1	2SC1313 F, G	2B, 4B
TR13, 14	0308520, 1	2SD438 D, E	3B, 4B
TR15, 16	0303360, 1	2SB560MP D, E	4B
TR17, 18	0308541, 2	2SD188A R, Q	1A, 4A
TR19, 20	0303381, 2	2SB545A R, Q	2A, 3A
TR21, 22	0305951, 2	2SC945 Q, P	2, 3A, 3A
TR601	0305951, 2	2SC945 Q, P	1B
TR602	0305951, 2	2SC945 Q, P	1B, C
TR603	0308520, 1	2SD438 D, E	3C
TR604	0303360, 1	2SB560MP D, E	2C
<b>*IC</b>			
IC 01, 02	0360290, 1	2SA798 F, G	3C, 4C
<b>*Diode</b>			
D 01, 02	0311160	1S24730	3B, 4B
D 03, 04	0311160	1S24730	3A
D 601	0310400	1N34A	1B
D 602	0310400	1N34A	1B
D 603	0310400	1N34A	1B
D 604	0310400	1N34A	1B
D 605	0310340	10D1	1A
D 606	0310340	10D1	1C
D 607	0301340	10D1	3B
D 608	0310340	10D1	2B
D 609	0310340	10D1	3B
D 610	0310340	10D1	3B
D 611	0311530	30D2	2C
D 612	0311530	30D2	2C
D 613	0311530	30D2	2B
D 614	0311530	30D2	2B
<b>*Varistor</b>			
VS01, 02	0340150	MV12	3C, 4C
C 05, 06	0620101	100pF 50V P.C.	3C, 4C
C 612	0549111	6800µF 50V E.C.	1B
C 613	0549111	6800µF 50V E.C.	1C
C 614	0603227	0.022µF 125V M.C.	3B
R 23, 24	0191820	82Ω 1/4W F.R.	3B, 4B
R 29, 30	0193820	82Ω 1/4W F.R.	3C, 4C
R 39, 40	0191221	220Ω 1/4W F.R.	3B, 4B
R 41, 42	0191221	220Ω 1/4W F.R.	3B, 4B
R 43, 44	0191689	6.8Ω 1/4W F.R.	4B
R 45, 46	0191689	6.8Ω 1/4W F.R.	4B
R 47, 48	0132338	0.33Ω 2W Ce.R.	2A, 4A
R 49, 50	0132338	0.33Ω 2W Ce.R.	2A, 3A
R 51, 52	0231302	3.0kΩ 1/2W M.R.	3C, 4C
R 53, 54	0231241	240Ω 1/2W M.R.	3C, 4C
R 606	0211222	2.2kΩ 1W N.I.R.	2C
R 611	0103682	6.8kΩ 1/2W C.R.	1B
R 612	0103682	6.8kΩ 1/2W C.R.	1B
L 01, 02	4210290	RF Coil 1.5µH	2A
RL601	1150400	Relay	1A
	1150480	Relay	
	1150490	Relay	
VR01, 02	1035050	470Ω B Volume, bias current	3B, 4B
F 02, 03	0432290	5A 150V AC Fuse	2B
F 04	0432220	1A 250V AC Fuse	1C
	2030050	Power Transistor Socket	

Abbreviations

C.R.	: Carbon Resistor	E.C.	: Electrolytic Capacitor
S.R.	: Solid Resistor	BP.E.C.	: Bi-Polar Electrolytic Capacitor
Ce.R.	: Cement Resistor	C.C.	: Ceramic Capacitor
M.R.	: Metal Film Resistor	Mi.C.	: Mica Capacitor
F.R.	: Fusing Resistor	O.C.	: Oil Capacitor
N.I.R.	: Non-Inflammable Resistor	P.C.	: Polystyrene Capacitor
M.C.	: Mylar Capacitor	T.C.	: Tantalum Capacitor

C) F-2759 Tone Control Circuit Board (Stock No. 7562791) (AU-217II Only)



Parts List

Parts No.	Stock No.	Description	Position	Parts No.	Stock No.	Description	Position
VR01	1015270.1	250kΩ MN x 2 Volume, balance	B	VR04	1015260.1	100kΩ C x 2 Volume, treble	B
VR02	1011120.1	250kΩ A x 2 Volume, master	C	S 04	1171020	Lever Switch, hi filter	
VR03	1015260.1	100kΩ C x 2 Volume, bass	A				

Note: The circuit boards, F-2757, F-2755 & F-2731 are not supplied as the assembled, the individual parts on the circuit boards, however are provided for orders.

D) F-2757 Input Terminal  
Circuit Board (AU-217II Only)

Parts List

Stock No.	Description
2200580	Input Terminal, tuner, aux, tape
2200600	Input Terminal, phone

E) F-2755 Output Connection  
Circuit Board (AU-217II Only)

Parts List

Parts No.	Stock No.	Description
R 01, 02	0211100	10Ω 1W N.I.R.
R 03, 04	0211221	220Ω 1W N.I.R.
J 01	2430350	Jack, headphone

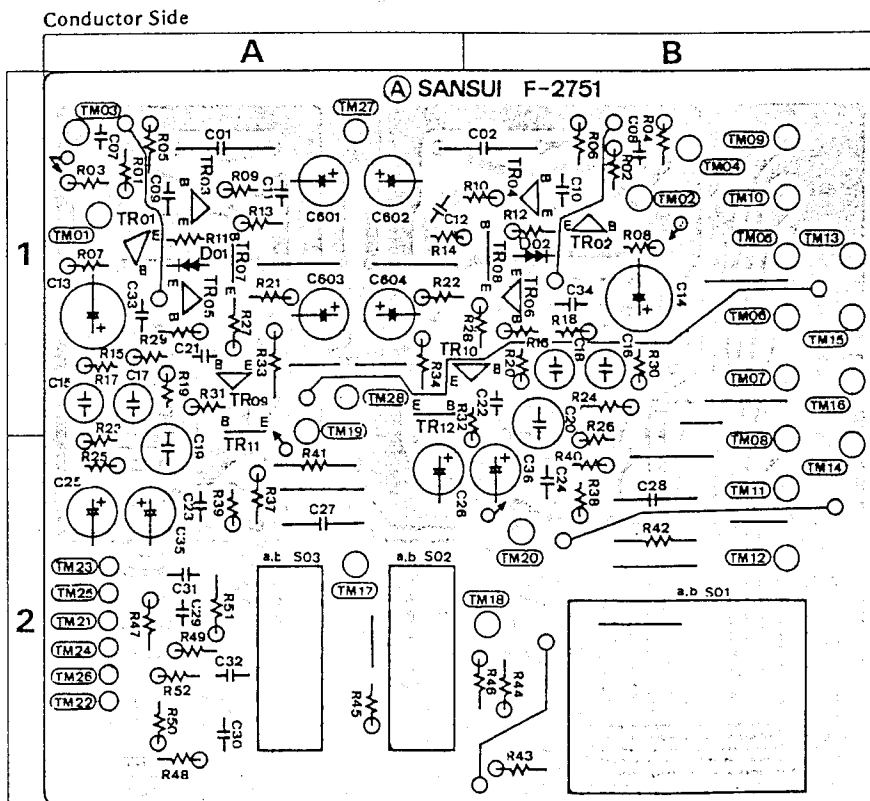
F) F-2731 Voltage Selecto  
Circuit Board (AU-217II Only)

Parts List

Parts No.	Stock No.	Description
F 01	0432240	2A 250V AC Fuse
	0432260	3A 250V AC Fuse
	2310220	Fuse Holder (Large)

3-3. AU-317II

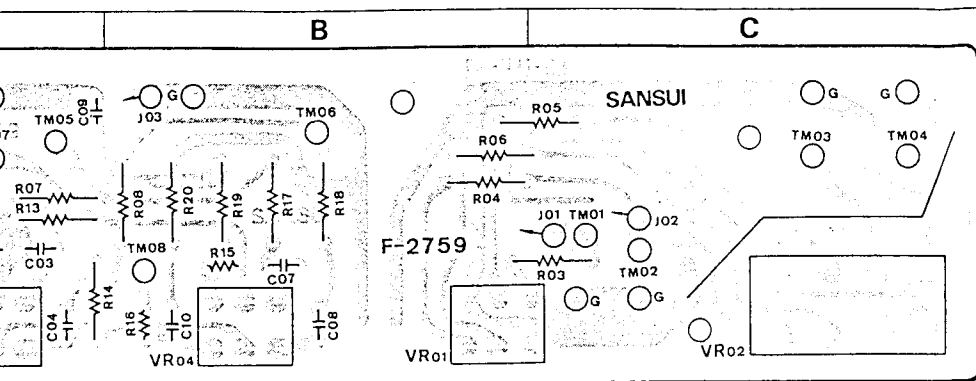
A) F-2751 Equalizer Circuit Board (Stock No. 7551501) (AU-317II Only)



Parts List

Parts No.	Stock No.	Description
• Transistor		
TR01, 02	0301090.1	2SA992 F, E
TR03, 04	0301170.1	2SA991 F, E
TR05, 06	0301170.1	2SA991 F, E
TR07, 08	0306740.1	2SC1845 F, E
TR09, 10	0306740.1	2SC1845 F, E
TR11, 12	0303360.1	2S8560MP D, E
• Varistor		
D 01, 02	0340150	MV12
C 01, 02	0602109	1.0μF 100VW M.C.
C 07, 08	0620101	100pF 50V P.C.
C 11, 12	0620101	100pF 50V P.C.
C 15, 16	0620151	150pF 50V P.C.
C 17, 18	0625272	2700pF 50VW P.C.
C 19, 20	0625103	10000pF 50VW P.C.
C 31, 32	0620391	390pF 50V P.C.
R 15, 16	0231561	560Ω 1/2W M.R.
R 17, 18	0231220	22Ω 1/2W M.R.
R 19, 20	0231273	27kΩ 1/2W M.R.
R 23, 24	0231304	300kΩ 1/2W M.R.
R 25, 26	0231153	15kΩ 1/2W M.R.
R 33, 34	0103392	3.9kΩ 1/2W C.R.
S 01	1102740	Rotary Switch, input sel
S 02	1171030	Lever Switch, tape moni
S 03	1171020	Lever Switch, loudness

Circuit Board (Stock No. 7562791) (AU-217II Only)



No.	Description	Position	Parts No.	Stock No.	Description	Position
1	250kΩ MN x 2 Volume, balance	B	VR04	1015260, 1	100kΩ C x 2 Volume, treble	B
1	250kΩ A x 2 Volume, master	C	S 04	1171020	Lever Switch, hi filter	
1	100kΩ C x 2 Volume, bass	A				

boards, F-2757, F-2755 & F-2731 are not supplied as the assembled, the individual circuit boards, however are provided for orders.

E) F-2755 Output Connection  
Circuit Board (AU-217II Only)

Parts List

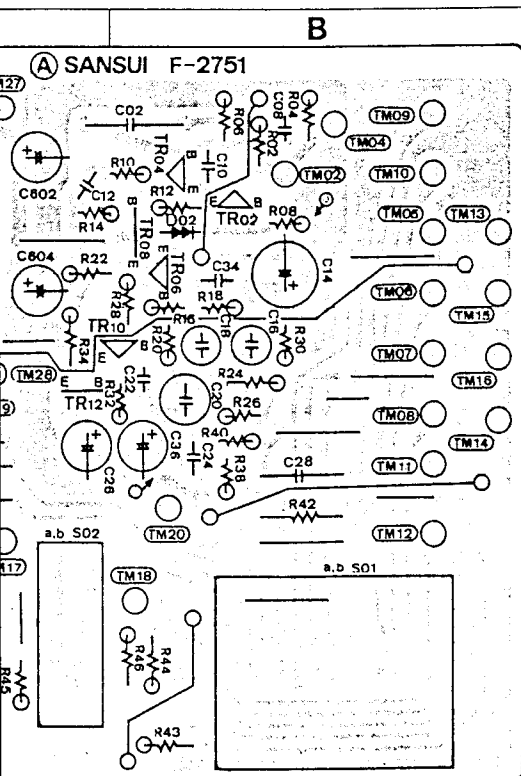
Parts No.	Stock No.	Description
R 01, 02	0211100	10Ω 1W N.I.R.
R 03, 04	0211221	220Ω 1W N.I.R.
J 01	2430350	Jack, headphone

F) F-2731 Voltage Selector  
Circuit Board (AU-217II Only)

Parts List

Parts No.	Stock No.	Description
F 01	0432240	2A 250V AC Fuse
	0432260	3A 250V AC Fuse
	2310220	Fuse Holder (Large)

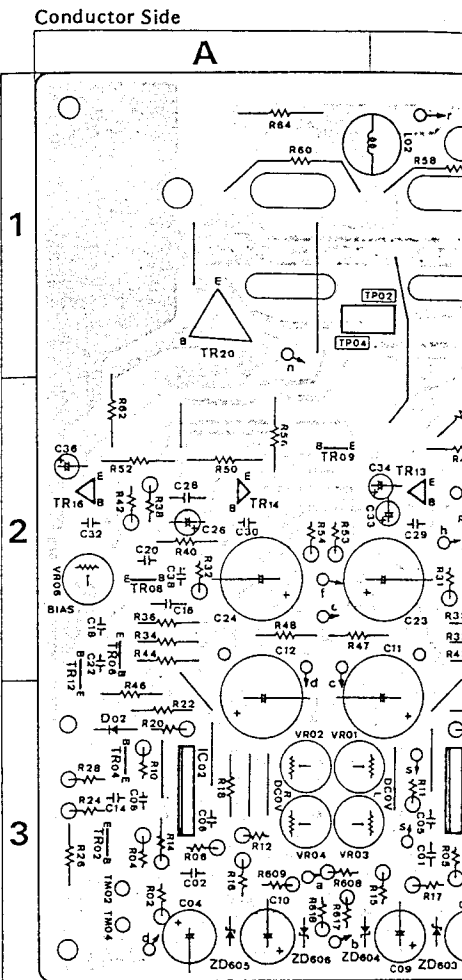
Board (Stock No. 7551501) (AU-317II Only)



Parts List

Parts No.	Stock No.	Description	Position
*Transistor			
TR01, 02	0301090, 1	2SA992 F, E	1A, 1B
TR03, 04	0301170, 1	2SA991 F, E	1A, 1B
TR05, 06	0301170, 1	2SA991 F, E	1A, 1B
TR07, 08	0306740, 1	2SC1845 F, E	1A, 1B
TR09, 10	0306740, 1	2SC1845 F, E	1A, 1B
TR11, 12	0303360, 1	2SB560MP D, E	1A
*Varistor			
D 01, 02	0340150	MV12	1A, 1B
C 01, 02	0602109	1.0μF 100V M.C.	1A, 1B
C 07, 08	0620101	100pF 50V P.C.	1A, 1B
C 11, 12	0620101	100pF 50V P.C.	1A
C 15, 16	0620151	150pF 50V P.C.	1A, 1B
C 17, 18	0625272	2700pF 50V P.C.	1A, 1B
C 19, 20	0625103	10000pF 50V P.C.	2A, 1B
C 31, 32	0620391	390pF 50V P.C.	2A
R 15, 16	0231561	560Ω 1/2W M.R.	1A, 1B
R 17, 18	0231220	22Ω 1/2W M.R.	1A, 1B
R 19, 20	0231273	27kΩ 1/2W M.R.	1A, 1B
R 23, 24	0231304	300kΩ 1/2W M.R.	2A, 1B
R 25, 26	0231153	15kΩ 1/2W M.R.	2A, 2B
R 33, 34	0103392	3.9kΩ 1/2W C.R.	1A
S 01	1102740	Rotary Switch, input selector	1B
S 02	1171030	Lever Switch, tape monitor	2A
S 03	1171020	Lever Switch, loudness	2A

B) F-2754 Power Amplifier Circuit

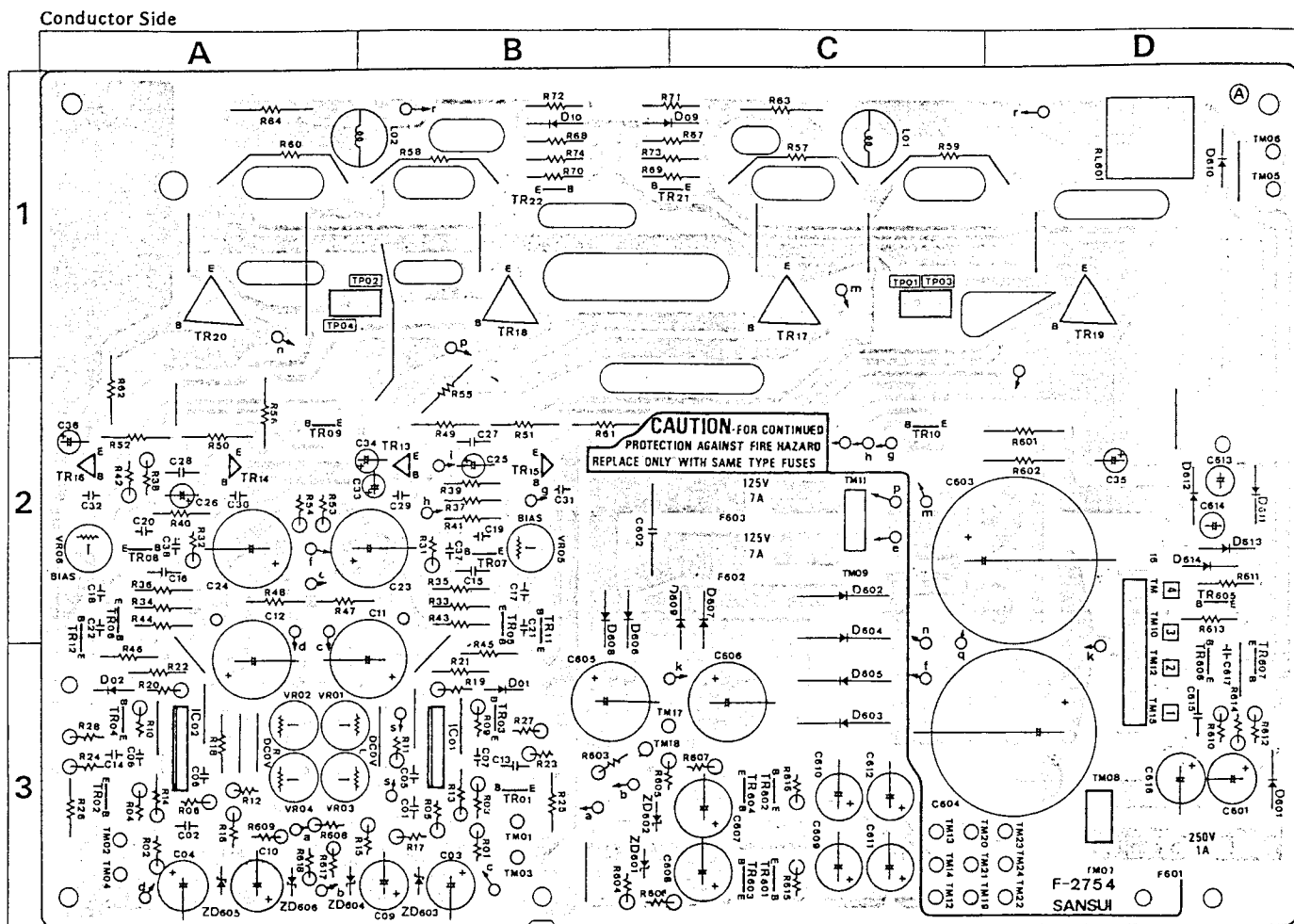


Parts List

Parts No.	Stock No.	Description	Position
*Transistor			
TR01, 02	0306740, 1	2SC1845 F, E	3B, 3A
TR03, 04	0306740, 1	2SC1845 F, E	3B, 3A
TR05, 06	0301090, 1	2SA992 F, E	2B, 2A
TR07, 08	0300760, 1	2SA917 1, 2	2B, 2A
TR09, 10	0306070, 1	2SC1313 F, G	2A, 2C
TR11, 12	0306360, 1	2SC1951 1, 2	2B, 2A
TR13, 14	0308611, 2	2SD357 D, E	2B, 2A
TR15, 16	0303441, 2	2SB527 D, E	2B, 2A
TR17, 18	0306571, 2	2SC2261 O, Y	1C, 1B
TR19, 20	0300951, 2	2SA981 O, Y	1D, 1A
TR21, 22	0305951, 2	2SC945 Q, P	1C, 1B
TR601	0308611, 2	2SD357 D, E	3C
TR602	0303441, 2	2SB527 D, E	3C
TR603	0306740, 1	2SC1845 F, E	3C
TR604	0301090, 1	2SA992 F, E	3C
TR605	0305951, 2	2SC945 Q, P	2D
TR606	0305951, 2	2SC945 Q, P	3D
TR607	0305951, 2	2SC945 Q, P	3D
*IC			
IC 01, 02	0370281, 2	2SK109 D, E	3B, 3A
*Diodes			
D 01, 02	0311160	1S2473D	3B, 3A



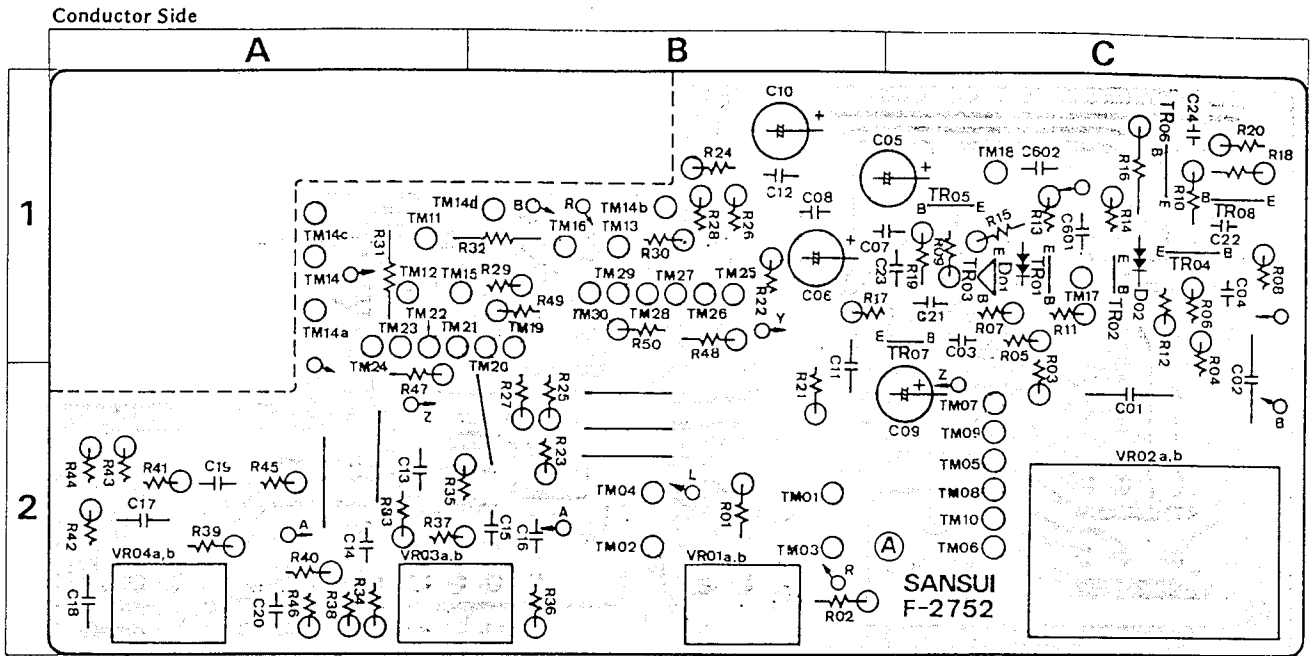
B) F-2754 Power Amplifier Circuit Board (Stock No. 7572231)(AU-317II Only)



Parts List

Position	Parts No.	Stock No.	Description	Position	Parts No.	Stock No.	Description	Position	Parts No.	Stock No.	Description	Position
	*Transistor											
	TR01, 02	0306740, 1	2SC1845 F, E	3B, 3A	D 09, 10	0311160	1S2473D	1B	R 35, 36	0191820	82Ω 1/4W F.R.	2B, 2A
	TR03, 04	0306740, 1	2SC1845 F, E	3B, 3A	D 601	0310340	10D1	3D	R 45, 46	0191820	82Ω 1/4W F.R.	3B, 3A
1A, 1B	TR05, 06	0301090, 1	2SA992 F, E	2B, 2A	D 602	0311570	ERD03-02H	2C	R 57, 58	0135338	0.33Ω 5W Ce.R.	1C, 1B
1A, 1B	TR07, 08	0300760, 1	2SA917 1, 2	2B, 2A	D 604	0311570	ERD03-02H	3C	R 59, 60	0135338	0.33Ω 5W Ce.R.	1C, 1A
1A, 1B	TR09, 10	0306070, 1	2SC1313 F, G	2A, 2C	D 605	0311570	ERD03-02H	3C	R 63, 64	0212229	2.2Ω 2W N.I.R.	1C, 1A
1A, 1B	TR11, 12	0306360, 1	2SC1951 1, 2	2B, 2A	D 606	0310340	10D1	2B	R 601	0103822	8.2kΩ 1/2W C.R.	2D
1A	TR13, 14	0308611, 2	2SD357 D, E	2B, 2A	D 607	0310340	10D1	2C	R 602	0103822	8.2kΩ 1/2W C.R.	2D
	TR15, 16	0303441, 2	2SB527 D, E	2B, 2A	D 608	0310340	10D1	2B	R 603	0202272	2.7kΩ 2W N.I.R.	3B
	TR17, 18	0306571, 2	2SC2261 O, Y	1C, 1B	D 609	0310340	10D1	2C	L 01, 02	4210290	RF Coil 1.5μH	1C, 1B
1A, 1B	TR19, 20	0300951, 2	2SA981 O, Y	1D, 1A	D 610	0310340	10D1	1D				
	TR21, 22	0305951, 2	2SC945 Q, P	1C, 1B	D 611 ~ 14	0310400	1N34A	2D				
1A, 1B	TR601	0308611, 2	2SD357 D, E	3C	*Zener Diode							
1A, 1B	TR602	0303441, 2	2SB527 D, E	3C	ZD601	0316110	EQA01-30R	3B	RL01	1150400	Relay	
1A	TR603	0306740, 1	2SC1845 F, E	3C	ZD602	0316110	EQA01-30R	3B		1150480	Relay	
1A, 1B	TR604	0301090, 1	2SA992 F, E	3C	ZD603, 04	0316020	EQA01-18R	3B, 3A		1150490	Relay	
1A, 1B	TR605	0305951, 2	2SC945 Q, P	3D	ZD605, 06	0316020	EQA01-18R	3A, 3A	VR01, 02	1034230	2.2kΩ B Volume, DC 0V	3A
2A, 1B	TR606	0305951, 2	2SC945 Q, P	3D					VR03, 04	1034150	100Ω B Volume, DC 0V	3A
2A, 1B	TR607	0305951, 2	2SC945 Q, P	3D	C 01, 02	0620101	100pF 50V P.C.	3B, 3A	VR05, 06	1035070	1kΩ B Volume, bias current	2B
					C 07, 08	0620271	270pF 50V P.C.	1B, 3A				
1A, 1B	IC 01, 02	0370281, 2	2SK109 D, E	3B, 3A	C 602	0605477	0.047μF 250V M.C.	2B	F 601	0432220	1A 250V AC Fuse	3D
					C 603	0549905	10000μF 56V E.C.	2D	F 602, 03	0432500	7A 125V AC Fuse	2C
					C 604	0549905	10000μF 56V E.C.	3D		2030050	Power Transistor Socket	
					C 901, 02	0620109	1.0μF 100WV M.C.					

C) F-2752 Tone Control Circuit Board (Stock No. 7562801)(AU-317II Only)

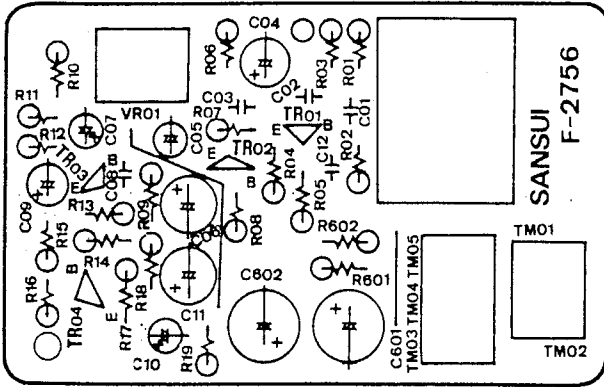


Parts List

Parts No.	Stock No.	Description	Position	Parts No.	Stock No.	Description	Position	Parts No.	Stock No.	Description	Position
●Transistor				●Varistor				VR02	1090290	150kΩ B x 2	2C
TR01, 02	0301090, 1	2SA992 F, E	1C	D 01, 02	0340150	MV12	1C	VR03	1015310, 1	100kΩ C x 2	2A
TR03, 04	0301170, 1	2SA991 F, E	1C	R 17, 18	0193680	68Ω 1/4W F.R.	1B, 1C	VR04	1015310, 1	100kΩ C x 2	2A
TR05, 06	0301170, 1	2SA991 F, E	1C	VR01	1015320, 1	250kΩ MN x 2	2B			100kΩ C x 2	
TR07, 08	0306740, 1	2SC1845 F, E	1C			Volume, balance				Volume, bass	

D) F-2756 Mic Amp Circuit Board (Stock No. 7610431)(AU-317II Only)

Conductor Side



Parts List

Parts No.	Stock No.	Description
●Transistor		
TR01	0301090, 1	2SA992 F, E
TR02	0306740, 1	2SC1845 F, E
TR03	0301090, 1	2SA992 F, E
TR04	0306740, 1	2SC1845 F, E
R 601, 602	0193121	120Ω 1/4W F.R.
VR01	1090270	20kΩ (A) Volume, mixing level
J 01	2430330	Jack Mic

Note: The circuit boards, F-2750, F-2768, F-2753 & F-2731 are not supplied as the assembled, the individual parts on the circuit boards, however are provided for orders.

E) F-2750 Input Terminal Circuit Board (AU-317II Only)

Parts List

Parts No.	Stock No.	Description
2200580		Input Terminal, tuner, aux, tape
2200600		Input Terminal, phono

F) F-2768 Output Connection Circuit Board (AU-317II Only)

Parts List

Parts No.	Stock No.	Description
R 01, 02	0212221	220Ω 2W N.I.R.
R 03, 04	0202100	10Ω 2W N.I.R.
J 01	2430350	Jack, headphone

G) F-2753 Filter Circuit Board(AU-317II Only)

Parts List

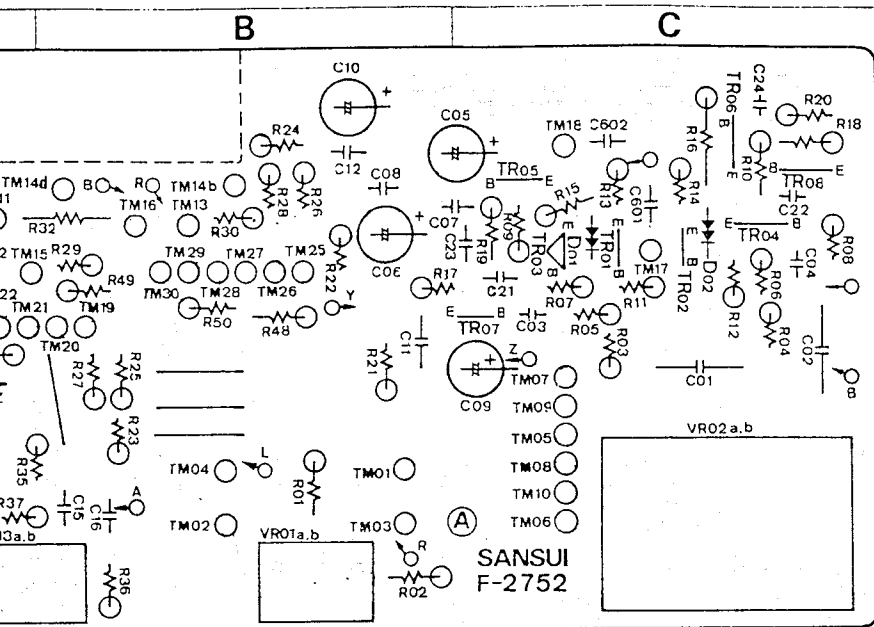
Parts No.	Stock No.	Description
S 01	1171040	Lever Switch, tone defeat
S 02	1171020	Lever Switch, high filter

H) F-2731 Voltage Selector Circuit Board (AU-317II Only)

Parts List

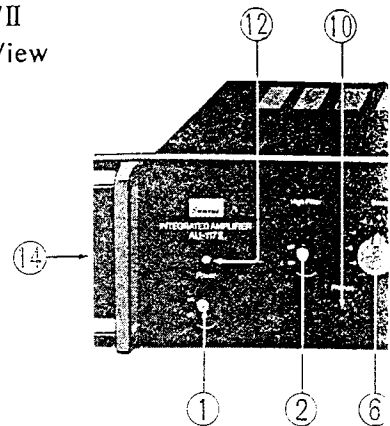
Parts No.	Stock No.	Description
F 01	0432260	3A 250V AC Fuse
	0432290	5A 125V AC Fuse
	2310220	Fuse Holder (Large)

board (Stock No. 7562801)(AU-317II Only)

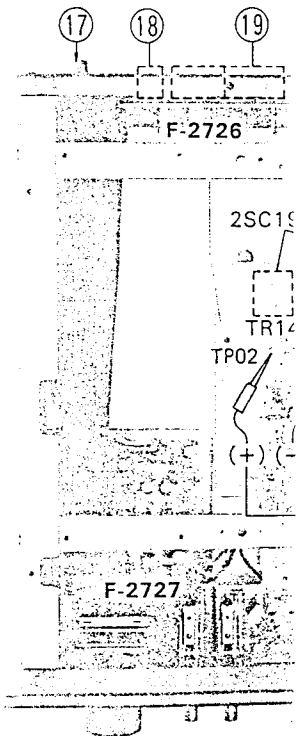


## 4. OTHER PARTS

### 4-1. AU-117II Front View



### Bottom View



Parts No.	Stock No.	Description	Position	Parts No.	Stock No.	Description	Position
*Varistor				VR02	1090290	150kΩ B x 2	2C
D 01, 02	0340150	MV12	1C	VR03	1015310, 1	100kΩ C x 2	2A
R 17, 18	0193680	68Ω 1/4W F.R.	1B, 1C	VR04	1015310, 1	100kΩ C x 2	2A
VR01	1015320, 1	250kΩ MN x 2	2B			Volume, bass	
		Volume, balance					

(Stock No. 7610431)(AU-317II Only)

Note: The circuit boards, F-2750, F-2768, F-2753 & F-2731 are not supplied as the assembled, the individual parts on the circuit boards, however are provided for orders.

### E) F-2750 Input Terminal Circuit Board (AU-317II Only)

#### Parts List

Parts No.	Stock No.	Description
	2200580	Input Terminal, tuner, aux, tape
	2200600	Input Terminal, phono

### F) F-2768 Output Connection Circuit Board (AU-317II Only)

#### Parts List

Parts No.	Stock No.	Description
R 01, 02	0212221	220Ω 2W N.I.R.
R 03, 04	0202100	10Ω 2W N.I.R.
J 01	2430350	Jack, headphone

### G) F-2753 Filter Circuit Board(AU-317II Only)

#### Parts List

Parts No.	Stock No.	Description
S 01	1171040	Lever Switch, tone defeat
S 02	1171020	Lever Switch, high filter

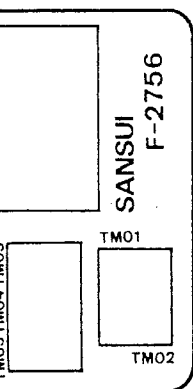
### H) F-2731 Voltage Selector Circuit Board (AU-317II Only)

#### Parts List

Parts No.	Stock No.	Description
F 01	0432260	3A 250V AC Fuse
	0432290	5A 125V AC Fuse
	2310220	Fuse Holder (Large)

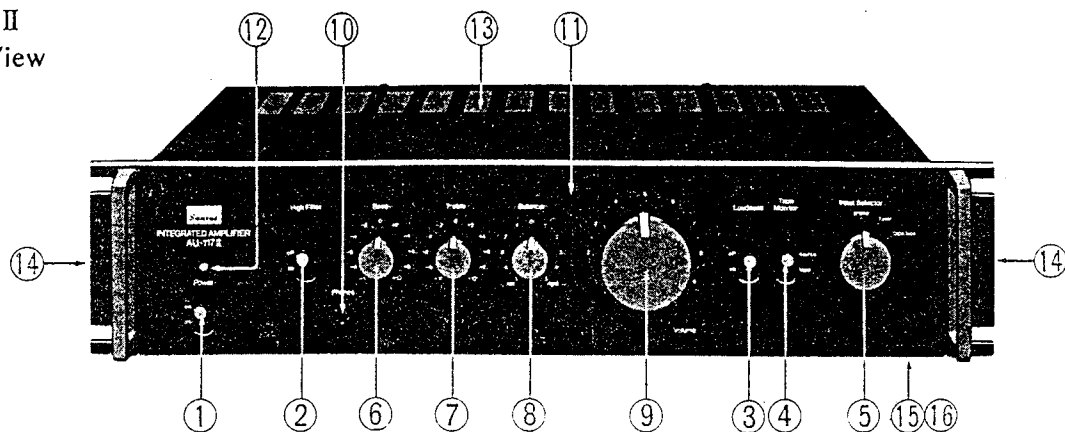
### Parts List <Front & Bottom View>

Parts No.	Stock No.	Description	Parts No.
	5326612	Lever Switch Knob	9
	1172000	Lever Switch, power	
2	5326612	Lever Switch Knob	
	1171020	Lever Switch, high filter	10
3	5326612	Lever Switch Knob	11
	1171020	Lever Switch, loudness	
4	5326612	Lever Switch Knob	12
	1171050	Lever Switch, tape monitor	13
	5318929	M-10 TY Knob	14
5	1101800	Rotary Switch, input selector	15
	5048040	Masking Sheet (B)	16
	5318930	S-14 TY Knob	17
6	1015260, 1	100kΩ (C) x 2 Bass Volume	18
	5048020	Masking Sheet (D)	19
	5318930	S-14 TY Knob	20
7	1015260, 1	100kΩ (C) x 2 Treble Volume	21
	5048020	Masking Sheet (D)	22
	5318930	S-14 TY Knob	23
8	1015270, 1	250kΩ (MN) x 2 Balance Volume	
	5048020	Masking Sheet (D)	

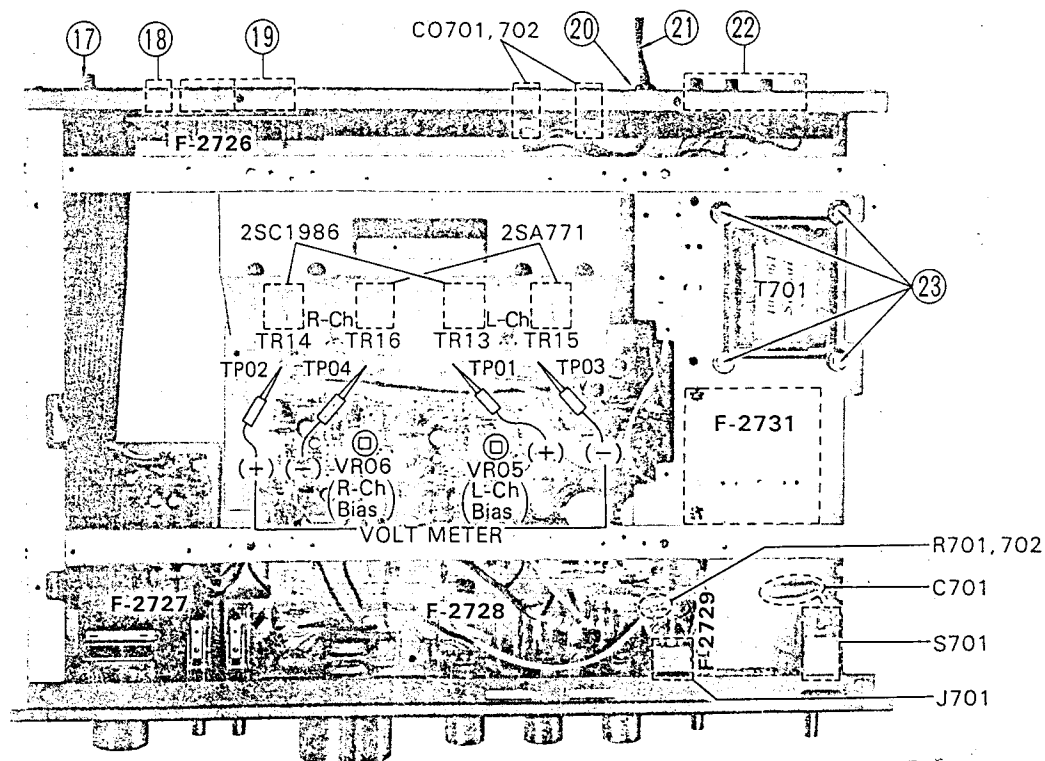


# 4. OTHER PARTS

## 4-1. AU-117II Front View



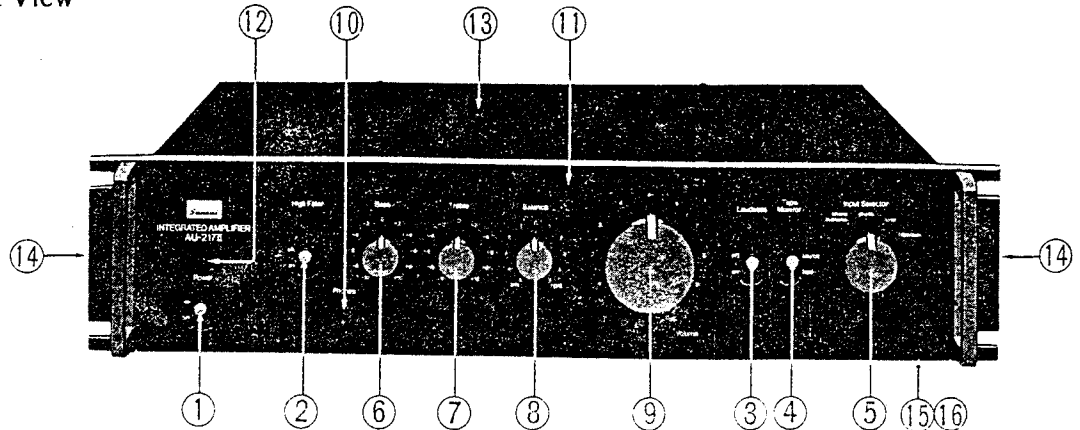
## Bottom View



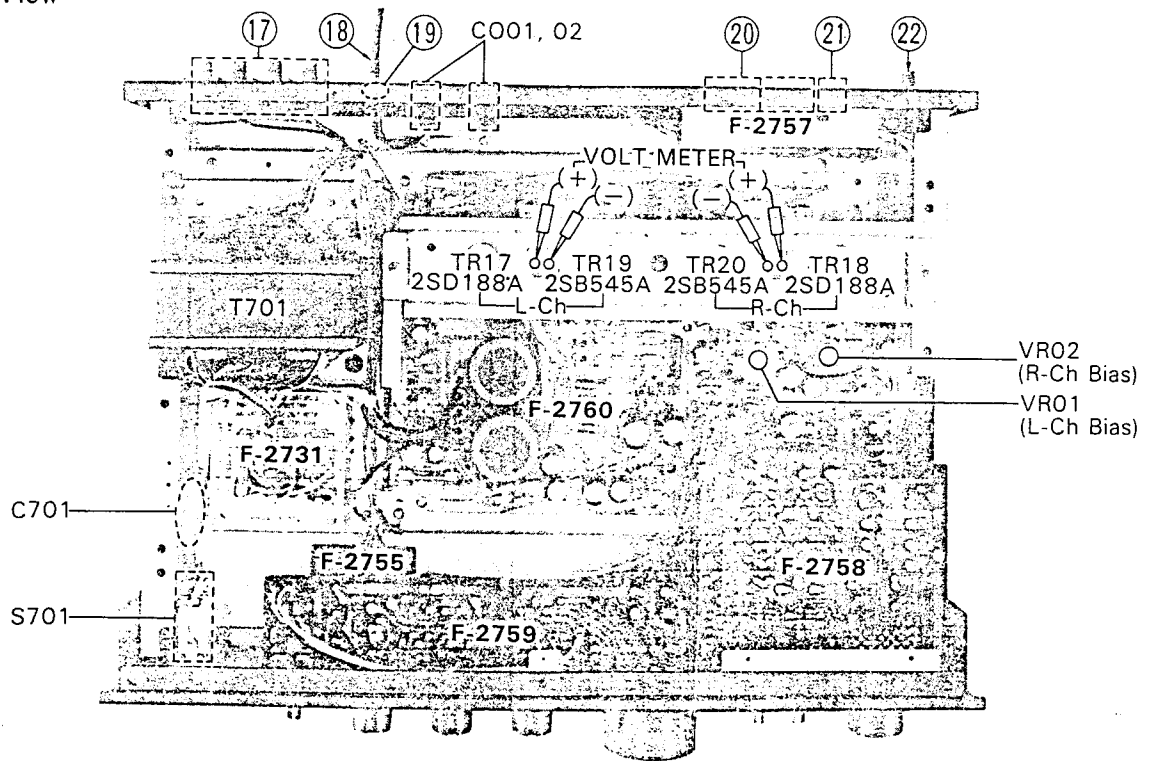
### Parts List <Front & Bottom View>

Parts No.	Stock No.	Description	Parts No.	Stock No.	Description	Parts No.	Stock No.	Description
1	5326612	Lever Switch Knob	9	5318910	Volume Knob	•Transistor		
	1172000	Lever Switch, power		1011120, 1	250k $\Omega$ x 2 Volume	TR 13, 14	0306541, 2	2SC1986 O, Y
2	5326612	Lever Switch Knob		5048050	Masking Sheet (A)	TR 15, 16	0300911, 2	2SA771 O, Y
	1171020	Lever Switch, high filter		5288982	Plate For VR (M8)			
3	5326612	Lever Switch Knob	10	2430300	Head Phone Jack	C 701	0659811	0.01 $\mu$ F 125V C.C.
	1171020	Lever Switch, loudness	11	7008250	Front Panel Ass'y	R 701, 702	0201221	220 $\Omega$ 1W N.I.R.
4	5326612	Lever Switch Knob		0319120	LED	CO701, 702	2450070	AC Outlet
	1171050	Lever Switch, tape monitor	12	0319120	LED			
	5318920	M-10 TY Knob	13	5006920	Bonnet	T 701	4003060	Power Transformer
5	1101800	Rotary Switch, input selector	14	5396700	Rack-mounting Adaptor (each)	J 701	2430300	Head Phone Jack
	5048040	Masking Sheet (B)	15	5058773	Bottom Plate	S 701	1172000	Power Switch
	5318930	S-14 TY Knob	16	5507350	Leg			
6	1015260, 1	100k $\Omega$ (C) x 2 Bass Volume	17	2230150	Ground Terminal			
	5048020	Masking Sheet (D)	18	2200580	Input Terminal, tuner, aux, tape			
	5318930	S-14 TY Knob	19	2200600	Input Terminal, phono			
7	1015260, 1	100k $\Omega$ (C) x 2 Treble Volume	20	3910600	Strain Relief			
	5048020	Masking Sheet (D)	21	3800470	Power Cord			
	5318930	S-14 TY Knob	22	2210410	Speaker Terminal			
8	1015270, 1	250k $\Omega$ (MN) x 2 Balance Volume	23	5110903	Flange Nut			
	5048020	Masking Sheet (D)						

4-2. AU-217II  
Front View



Top View

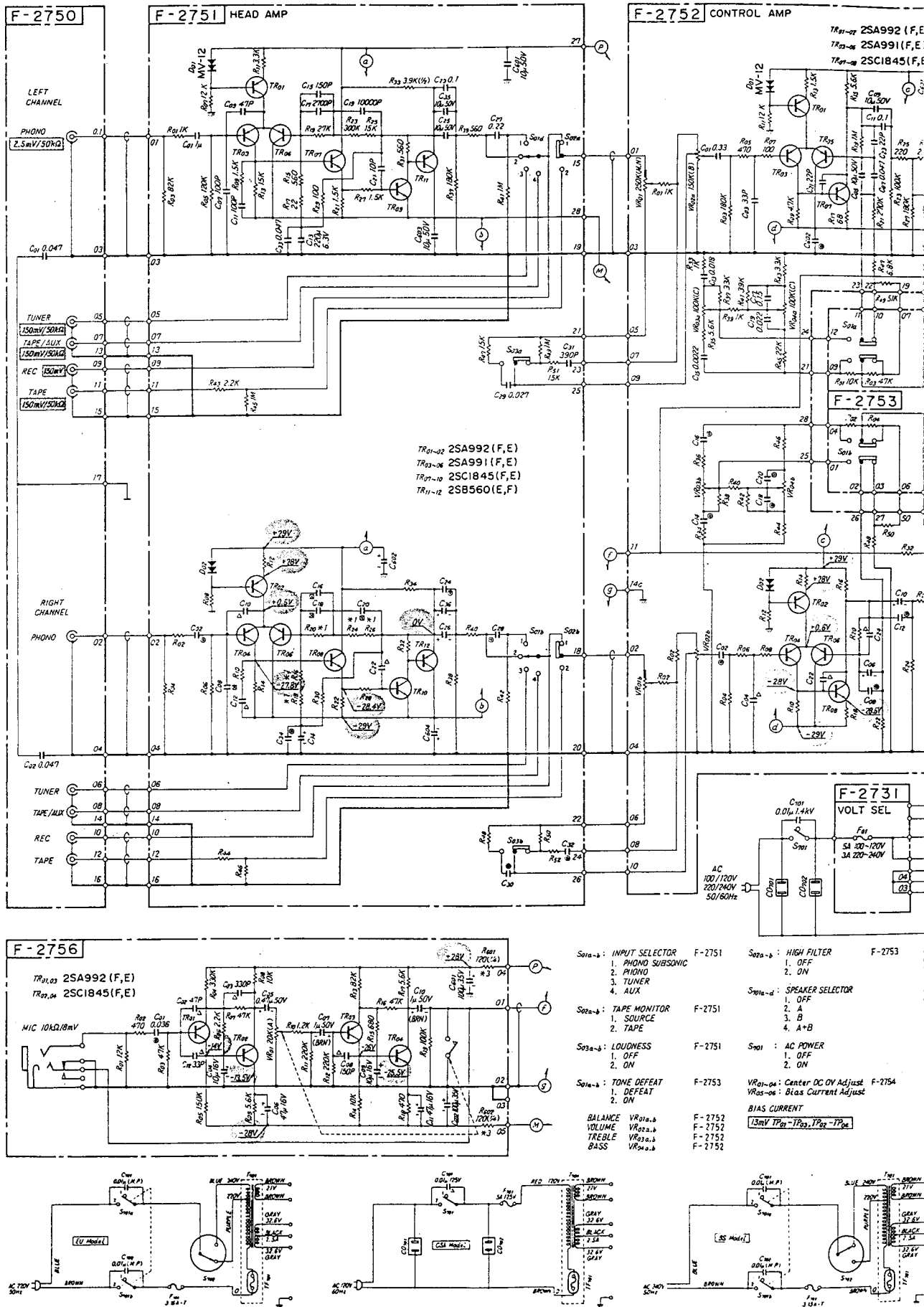


Parts List <Front & Top View>

Parts No.	Stock No.	Description	Parts No.	Stock No.	Description	Parts No.	Stock No.	Description
1	5326612	Lever Switch Knob, power	8	5318930	S-14 TY Knob, balance volume	19	3910600	Strain Relief
	1172000	Lever Switch, power		1015270, 1	250kΩ (MNI) x 2 Balance Volume	20	2200580	Input Terminal, tuner, aux, tap
2	5326612	Lever Switch Knob, high filter		5048020	Masking Sheet (D)	21	2200600	Input Terminal, phono
	1171020	Lever Switch, high filter		5318910	Volume Knob	22	2230150	Ground Terminal
3	5326612	Lever Switch Knob, loudness	9	1011120, 1	250kΩ x 2 Volume		5288721	Plate D03, D04 on F-2760
	1171020	Lever Switch, loudness		5048050	Masking Sheet (A)	•Transistor		
4	5326612	Lever Switch Knob, tape monitor		5289952	Plate (MB), volume	TR 17, 18	0308541, 2	2SD188A R, Q
	1171030	Lever Switch, tape monitor	10	2430350	Head Phone Jack	TR 19, 20	0303381, 2	2SB545A R, Q
5	5318920	M-10 TY Knob, input selector	11	7008210	Front Panel Ass'y			
	1102740	Rotary Switch, input selector		0319120	LED	C 701	0659811	0.01μF 125V C.C.
	5048040	Masking Sheet (B)	12	0319120	LED	T 701	4003050	Power Transformer
	5318930	S-14 TY Knob, bass volume	13	5006930	Bonnet	S 701	1172000	Power Switch
6	1015260, 1	100kΩ (C) x 2 Bass Volume	14	5396700	Rack-mounting Adaptor (each)	CO701, 702	2450070	AC Outlet
	5048020	Masking Sheet (D)	15	5058762	Bottom Plate			
7	5318930	S-14 TY Knob, treble volume	16	5507350	Leg			
	1015260, 1	100kΩ (C) x 2 Treble Volume	17	2210410	Speaker Terminal			
	5048020	Masking Sheet (D)	18	3800470, 1	Power Cord			

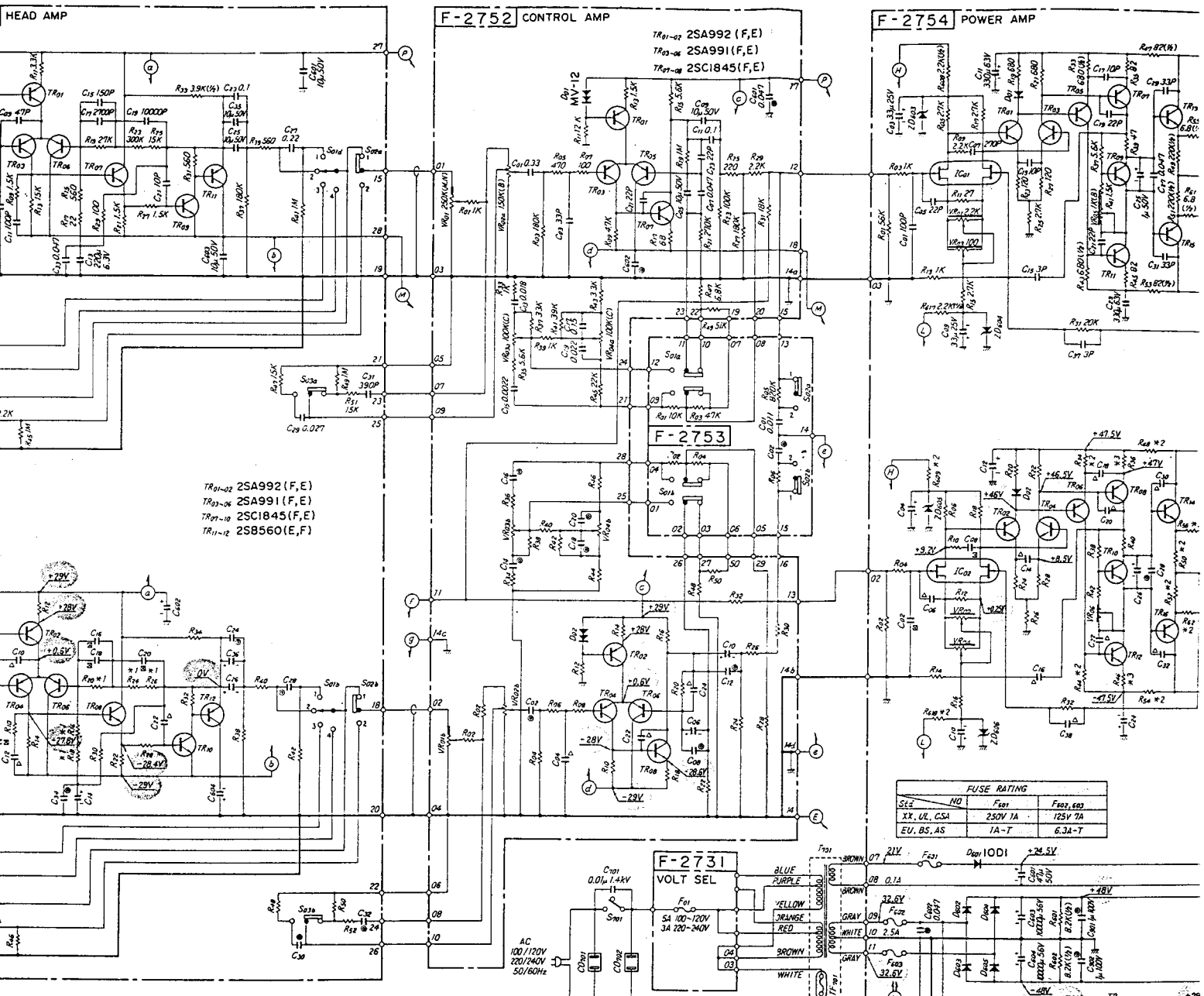


5. SCHEMATIC DIAGRAM 5-1. AU-317II



• Design and specifications subject to change without  
• La présentation et les spécifications sont susceptibles  
• Änderungen, die dem technischen Fortschritt dienen

# AGRAM 5-1. AU-317II



TR01-02 2SA992 (F,E)  
TR03-06 2SA991 (F,E)  
TR07-10 2SC1845 (F,E)  
TR11-12 2SB560 (E,F)

SIZE	NO	F01	F02, F03
XX, UL, CSA		250V 1A	125V 7A
EU, BS, AS		1A-T	6.3A-T

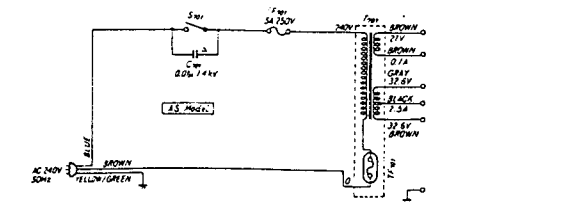
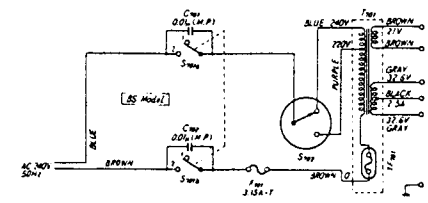
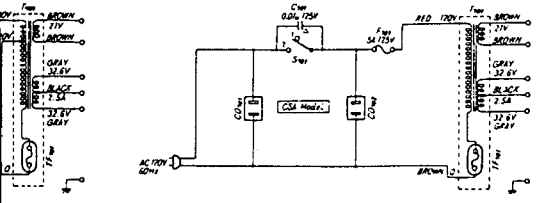
- Sw1a-b: INPUT SELECTOR F-2751  
 1. PHONO SUBSONIC  
 2. PHONO  
 3. TUNER  
 4. AUX
- Sw1a-b: TAPE MONITOR F-2751  
 1. SOURCE  
 2. TAPE
- Sw1a-b: LOUDNESS F-2751  
 1. OFF  
 2. ON
- Sw1a-b: TONE DEFEAT F-2753  
 1. DEFEAT  
 2. ON
- BALANCE VR01a,b F-2752  
 VOLUME VR02a,b F-2752  
 TREBLE VR03a,b F-2752  
 BASS VR04a,b F-2752

- Sw2a-b: HIGH FILTER F-2753  
 1. OFF  
 2. ON
- Sw1a-d: SPEAKER SELECTOR  
 1. OFF  
 2. A  
 3. B  
 4. A+B
- Sw1c: AC POWER  
 1. OFF  
 2. ON
- VR01-06: Center DC OV Adjust F-2754  
 VR02-06: Bias Current Adjust
- BIAS CURRENT  
 13mV TP01-TP03, TP04-TP06

▲ CERAMIC Cap  
 ● MYLAR  
 \* STYROL

\*1 METAL FILM RESISTOR  
 TOLERANCE ± 1%  
 \*2 NON-FLAMMABLE RESISTOR  
 \*3 FUSING-RESISTOR

Each DC Voltage shows the nominal value in Volts at no input signal.





• Design and specifications subject to change without notice for improvement.  
• La présentation et les spécifications sont susceptibles d'être modifiées sans préavis par suites d'améliorations éventuelles.  
• Änderungen, die dem technischen Fortschritt dienen, bleiben vorbehalten.

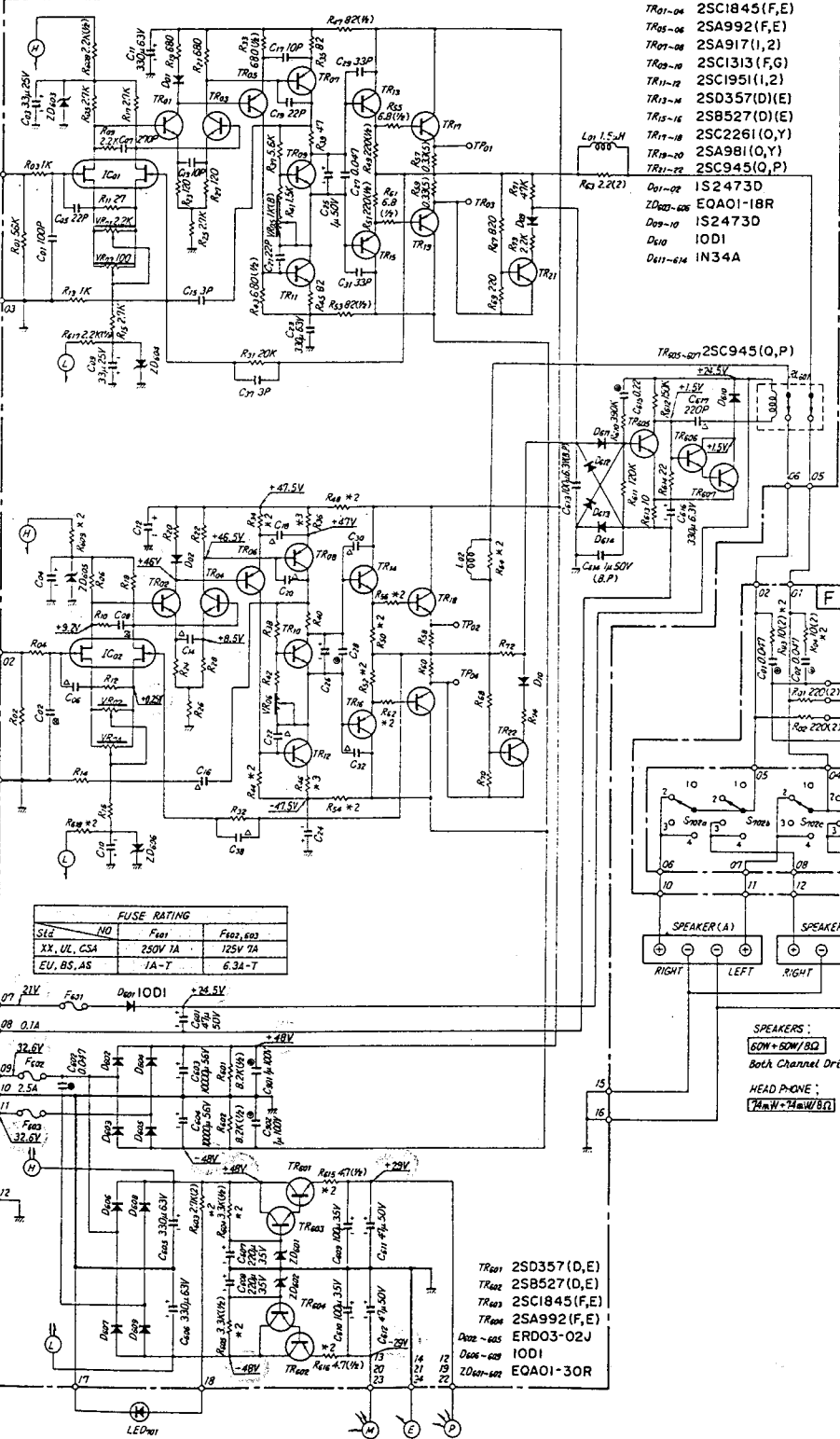
E

F

G

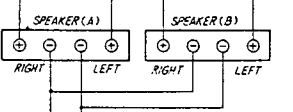
H

F-2754 POWER AMP



- IC01-02 2SK109(D)(E)
- TR01-04 2SC1845(F,E)
- TR05-06 2SA992(F,E)
- TR07-08 2SA917(I,2)
- TR09-10 2SC1313(F,G)
- TR11-12 2SC1951(I,2)
- TR13-M 2SD357(D)(E)
- TR15-16 2SB527(D)(E)
- TR17-18 2SC2261(O,Y)
- TR19-20 2SA981(O,Y)
- TR21-22 2SC945(O,P)
- Di01-02 IS2473D
- ZD003-005 EOA01-18R
- Di09-10 IS2473D
- Di10 IOD1
- Di11-14 IN34A

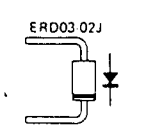
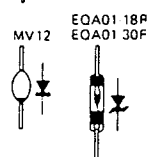
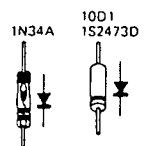
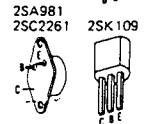
FUSE RATING			
Std	10	F01	F02, 603
XX, UL, CSA	250V 1A	125V 1A	
EU, BS, AS	1A-T	6.3A-T	



SPEAKERS:  
[Symbol] +50W/8Ω  
Both Channel Driven

HEAD-PHONE:  
[Symbol] 75mW/8Ω

- 2SA917
- 2SA991
- 2SA992
- 2SB560
- 2SC945
- 2SC1845
- 2SC1951
- 2SB527
- 2SD357

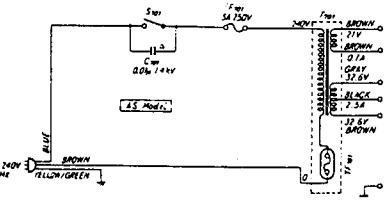


- TR01 2SD357(D,E)
- TR02 2SB527(D,E)
- TR03 2SC1845(F,E)
- TR04 2SA992(F,E)
- Di03-005 ERD03-02J
- Di06-008 IOD1
- Di09-012 EOA01-30R

RESISTORS IN WATTS  
OTHERWISE NOTED

FILM RESISTOR  
TOLERANCE ± 1%

AMMABLE RESISTOR  
RESISTOR  
Voltage shows  
not Value in Volts  
at Signal



1

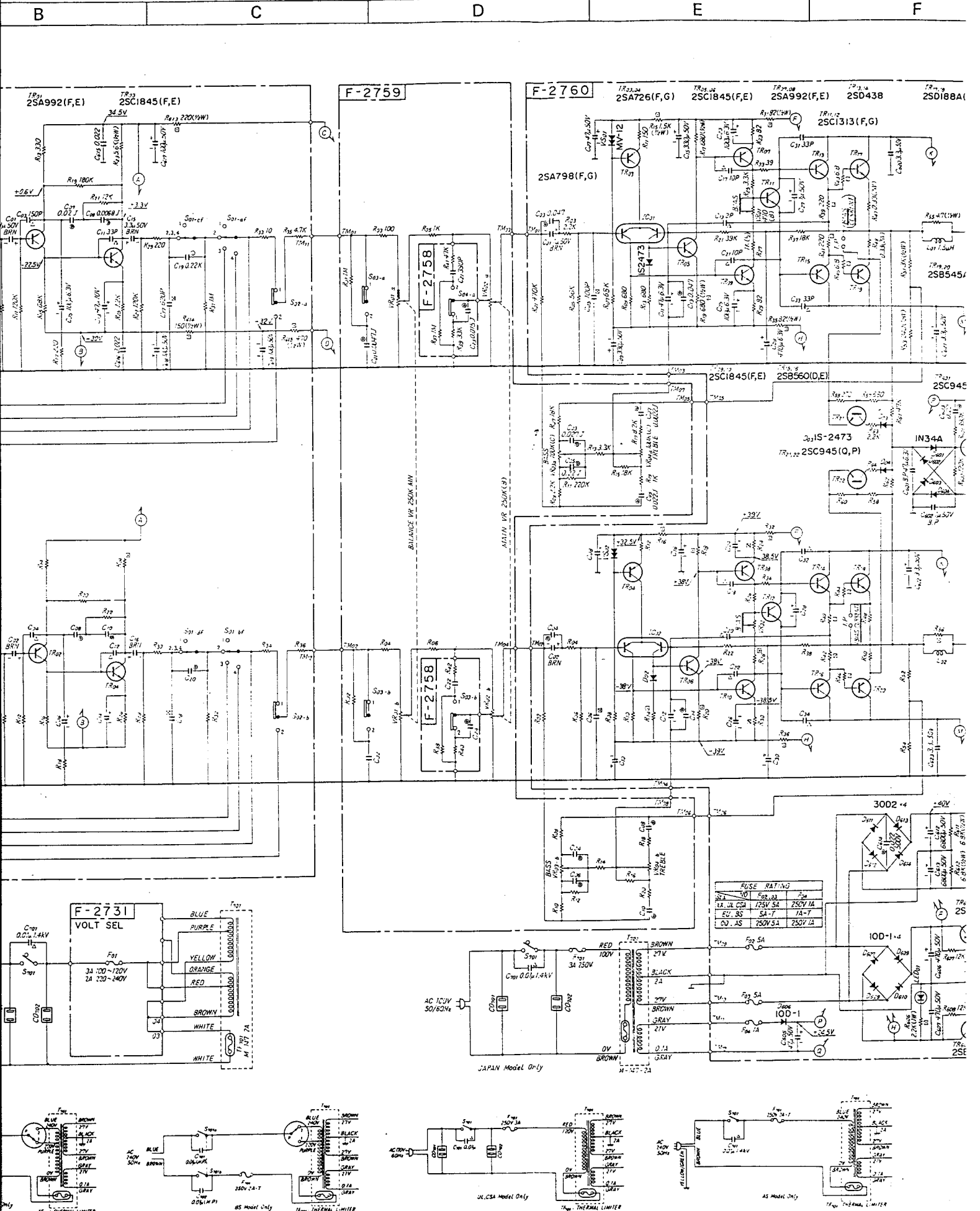
2

3

4

5





• Design and specifications subject to change without notice for improvement.  
 • La présentation et les spécifications sont susceptibles d'être modifiées sans préavis par suites d'améliorations éventuelles.  
 • Änderungen, die dem technischen Fortschritt dienen, bleiben vorbehalten.

E

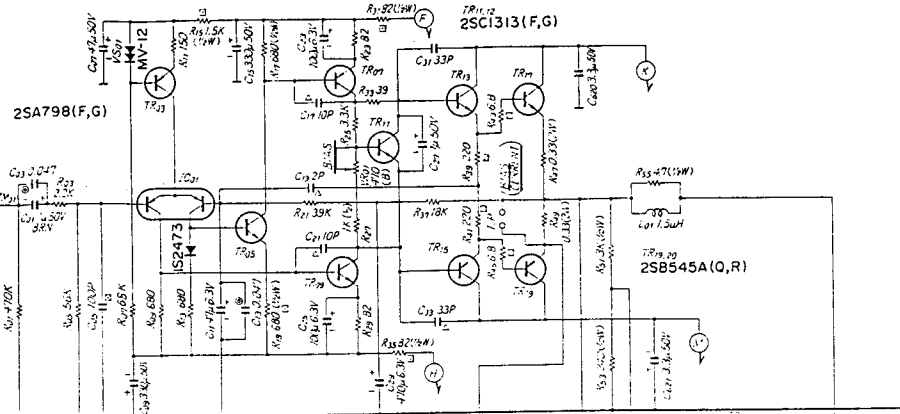
F

G

H

F-2760

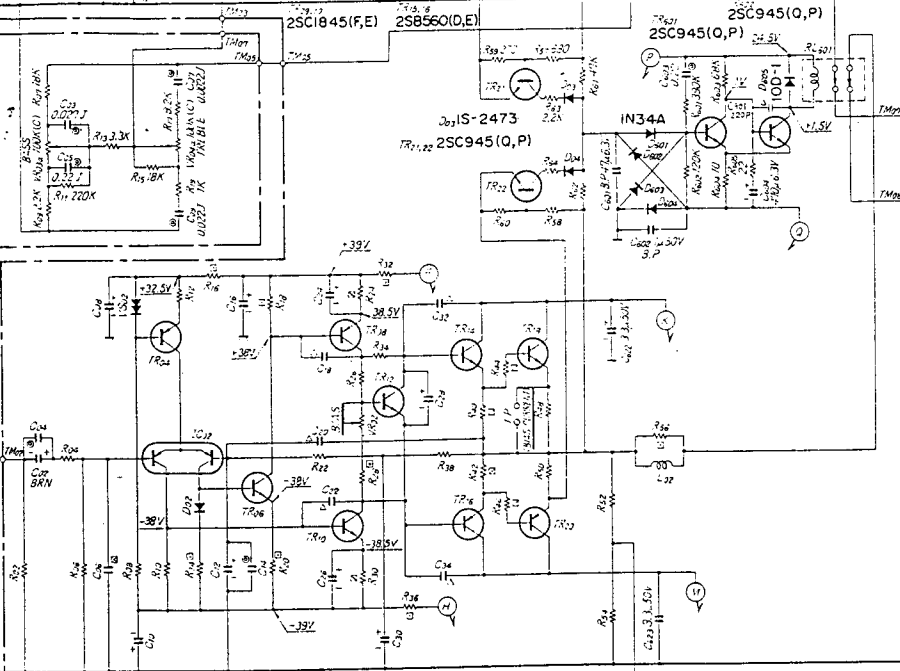
TR33.24 2SA726(F,G) TR33.26 2SC1845(F,E) TR33.28 2SA992(F,E) TR33.30 2SD438 TR33.32 2SD188A(Q,R)



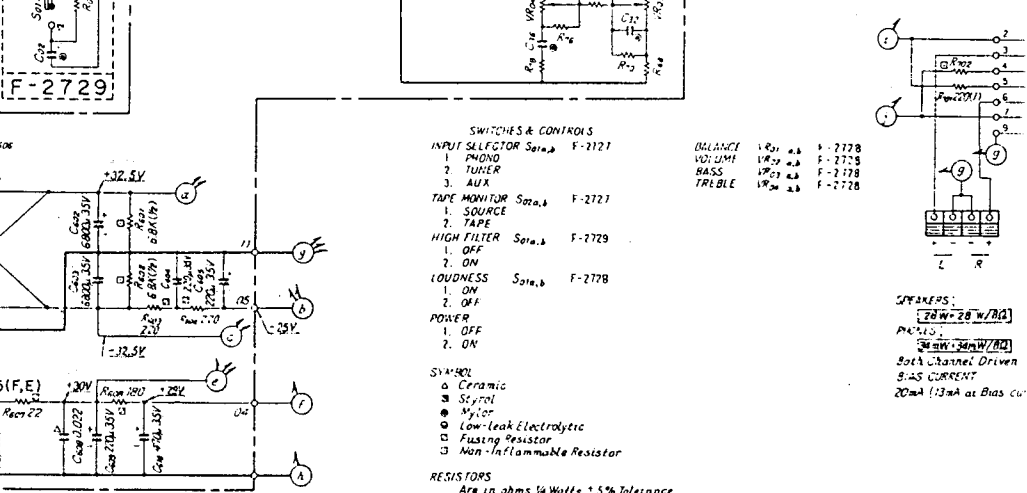
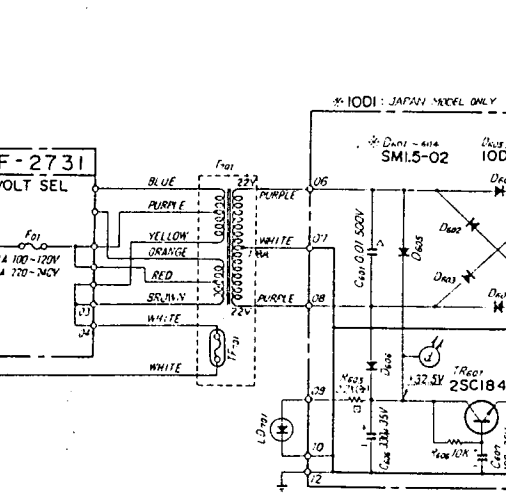
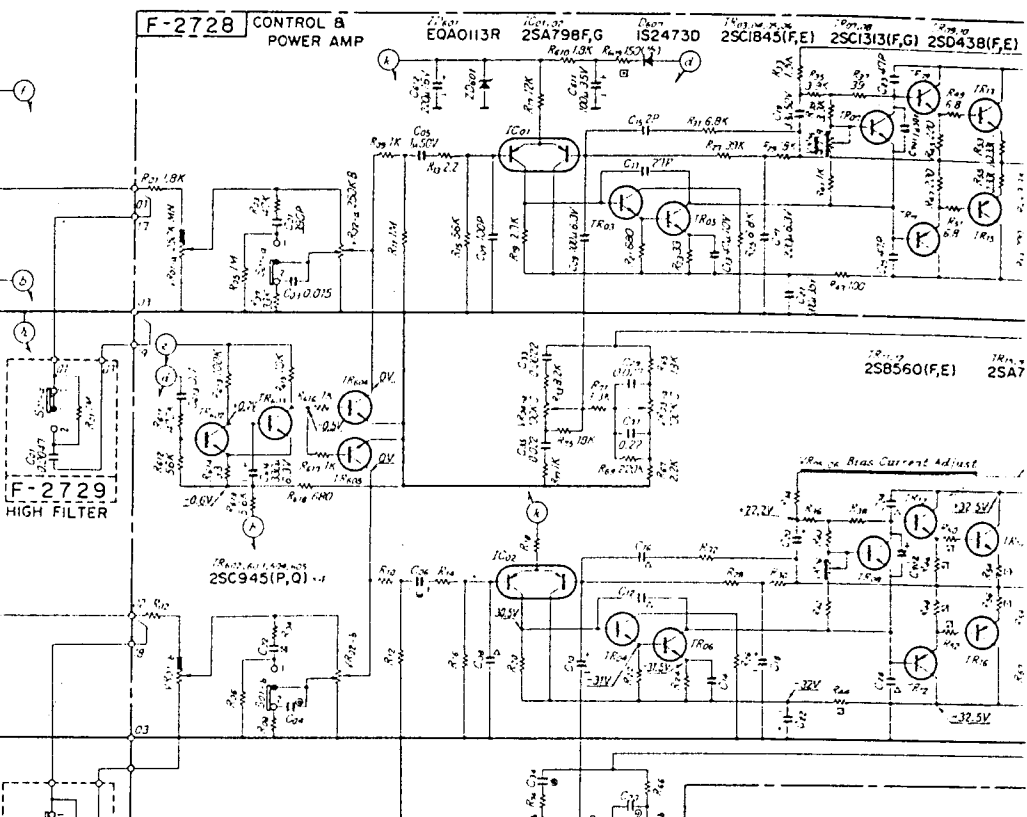
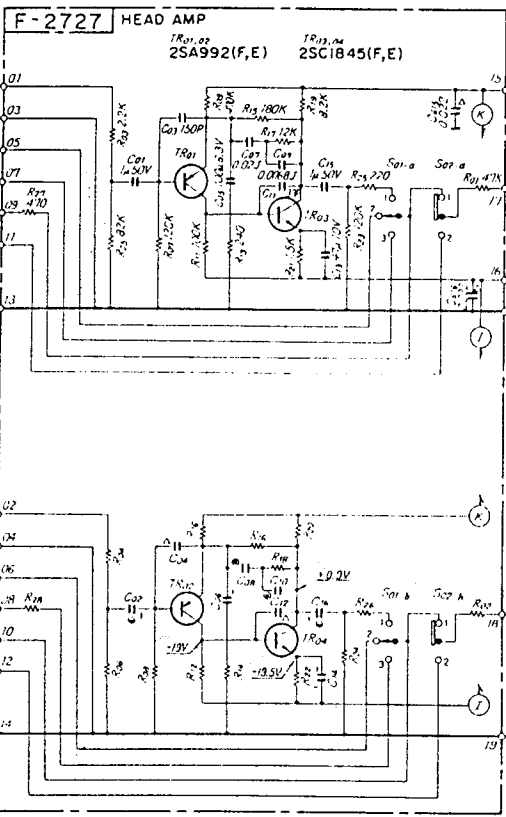
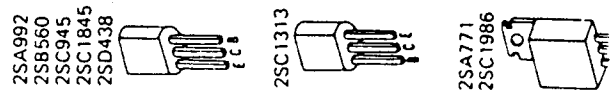
- SWITCHES**
- |                   |           |
|-------------------|-----------|
| SELECTOR          | Source-af |
| 1. PHONO Subsonic | Source-af |
| 2. PHONO          | Source-af |
| 3. TUNER          | Source-af |
| 4. AUX            | Source-af |
| TAPE MONITOR      | Source-af |
| 1. SOURCE         | Source-af |
| 2. PLAY BACK      | Source-af |
| HIGH FILTER       | Source-af |
| 1. OFF            | Source-af |
| 2. ON             | Source-af |
| LOUDNESS          | Source-af |
| 1. OFF            | Source-af |
| 2. ON             | Source-af |

- NOTICE**
- CAPACITOR**
- |                               |                           |
|-------------------------------|---------------------------|
| 1. Ceramic                    | 2. Fusing Resistor        |
| 3. Styral                     | 4. Non-Flammable Resistor |
| 5. Mylar                      |                           |
| 6. Polar Electrolytic         |                           |
| 7. Capacitance Tolerance ± 5% |                           |

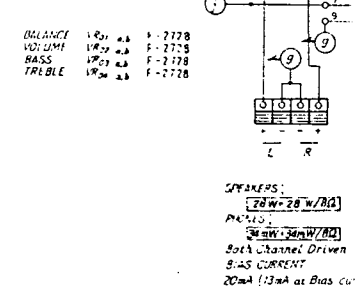
**RESISTOR**  
 All Resistors 1/4 Watts unless otherwise noted  
 Each DC Voltage shows the nominal value in volts as no input signal



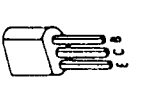




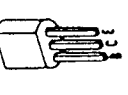
- SWITCHES & CONTROLS**
- INPUT SELECTOR Seta,b F-2727
    - PHONO
    - TUNER
    - AUX
  - TAPE MONITOR Seta,b F-2727
    - SOURCE
    - TAPE
  - HIGH FILTER Seta,b F-2729
    - OFF
    - ON
  - LOUDNESS Seta,b F-2728
    - ON
    - OFF
  - POWER Seta,b F-2728
    - OFF
    - ON
- SYMBOLS**
- Ceramic
  - Crystal
  - 5% T
  - Low-leak Electrolytic
  - Fusing Resistor
  - Non-Inflammable Resistor
- RESISTORS**
- Are in ohms, 10 Watts, ±5% Tolerance Unless otherwise noted. K, M, Ω, MΩ
- CAPACITORS**
- Are in μF, Unless otherwise noted. P, P-F
- TOLERANCES**
- J: ±5%, G: ±2%, F: ±1%



2SC945  
2SC1845  
2SD438



2SC1313



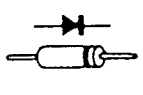
2SA771  
2SC1986



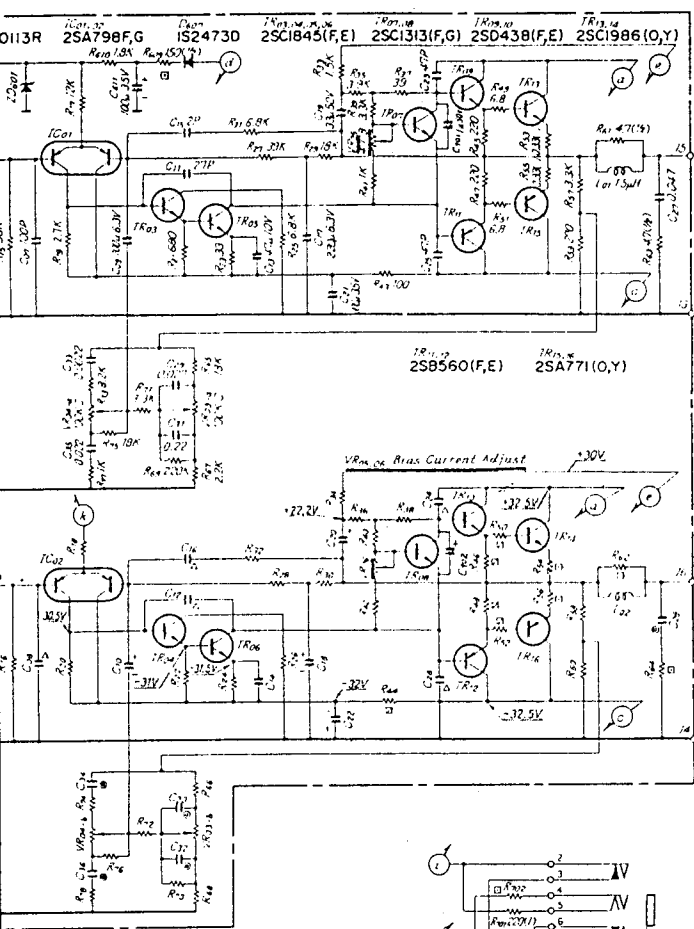
2SA798



1001  
IS2473D



EOA0113R



**SWITCHES & CONTROLS**

UI SELECTOR S1a,b F-2177  
PHONO S1c F-2178  
TUNER S1d F-2179  
AUX S1e F-2180  
MONITOR S2a,b F-2177  
SOURCE S2c F-2178  
TAPE S2d F-2179  
MUTE FILTER S3a,b F-2179  
OFF S3c F-2180  
ON S3d F-2178  
VOLUME S4a,b F-2178  
OFF S4c F-2179  
ON S4d F-2180  
REVERSE S5a,b F-2178  
OFF S5c F-2179  
ON S5d F-2180  
MUTING S6a,b F-2178  
OFF S6c F-2179  
ON S6d F-2180

**BALANCE** VR1 a,b F-2178  
**VOLUME** VR2 a,b F-2178  
**BASS** VR3 a,b F-2178  
**TREBLE** VR4 a,b F-2178

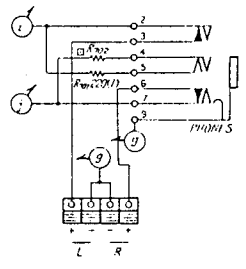
**RESISTORS**  
Are in ohms, 1/4 Watts, ± 5% Tolerance  
Unless otherwise noted. K, 1K, 10K, 100K, 1M, 10M, 100M, 1G

**CAPACITORS**  
Are in μF, Unless otherwise noted. P: pF

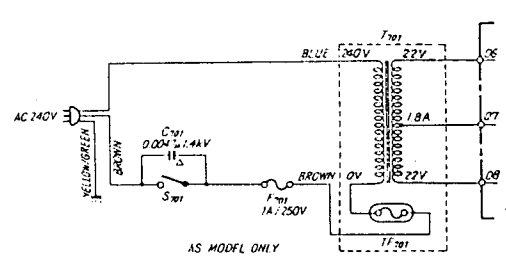
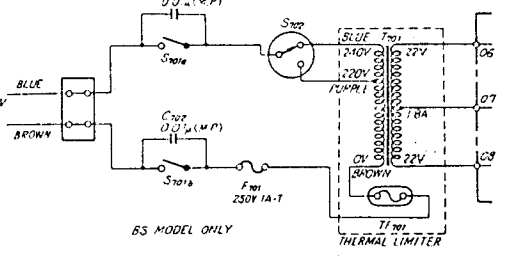
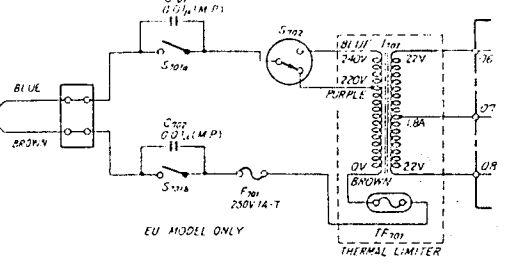
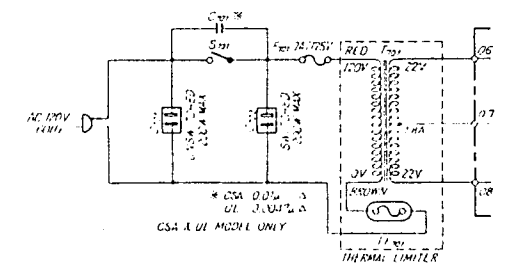
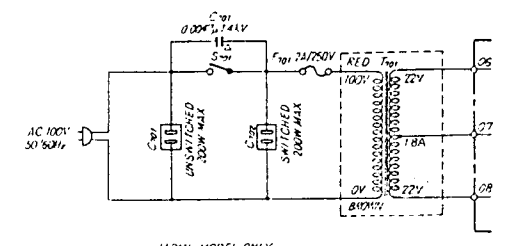
**BALANCE**  
F: ± 5%, G: ± 2%, F: ± 1%

**BIAS CURRENT ADJUST**

VR5 a,b F-2178  
VR6 a,b F-2178  
VR7 a,b F-2178



**SPEAKERS:**  
20W x 20W (8Ω)  
PARALLEL:  
30W x 30W (8Ω)  
Both Channel Driven  
BIAS CURRENT  
20mA (13mA at Bias current point)



## 6. PACKING LIST

### 6-1. AU-117II

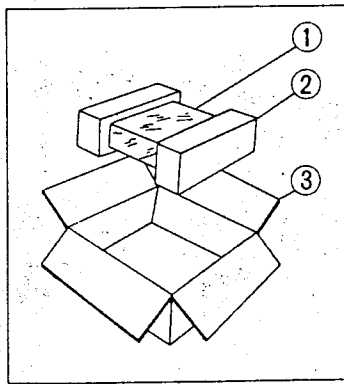
Parts No.	Stock No.	Description
1	9116760	Vinyl Cover
2	9028081	Styrofoam Packing
3	9001720	Carton Case

### 6-2. AU-217II

Parts No.	Stock No.	Description
1	9116760	Vinyl Cover
2	9028081	Styrofoam Packing
3	9001740	Carton Case

### 6-3. AU-317II

Parts No.	Stock No.	Description
1	9116760	Vinyl Cover
2	9028081	Styrofoam Packing
3	9001760	Carton Case



## 7. ACCESSORY PARTS LIST

### 7-1. AU-117II

Stock No.	Description
9204520	Operating Instructions
5396700	Rack-mounting Adaptor (each)
9116830	Vinyl Bag For Rack-mounting Adaptor
9238120	Schematic Diagram

### 7-2. AU-217II

Stock No.	Description
9204530	Operating Instructions
5396700	Rack-mounting Adaptor (each)
9116830	Vinyl Bag For Rack-mounting Adaptor
9238130	Schematic Diagram

### 7-3. AU-317II

Stock No.	Description
9204540	Operating Instructions
5396700	Rack-mounting Adaptor (each)
9116830	Vinyl Bag For Rack-mounting Adaptor
9238140	Schematic Diagram

SANSUI ELECTRONICS CORPORATION: 1250 Valley Brook Ave. Lyndhurst, N.J. 07071 U.S.A.

333 West Alondra Blvd. Gardena, California 90247 U.S.A.

3036 Koapaka St. Honolulu, Hawaii 96819 U.S.A.

North Trade Bldg (9th floor) Noorderlaan 133-Bus 1, 2030 Antwerp, Belgium

Arabella center, 6 Frankfurt AM Main, Lyoner Strasse 44-48, West Germany

SANSUI AUDIO EUROPE N.V.:

SANSUI AUDIO EUROPE S.A.:

SANSUI ELECTRIC COMPANY LTD.: 14-1, Izumi 2-chome, Suginamiku, Tokyo 168 Japan PHONE: (03) 323-1111/TELEX: 232-2076

