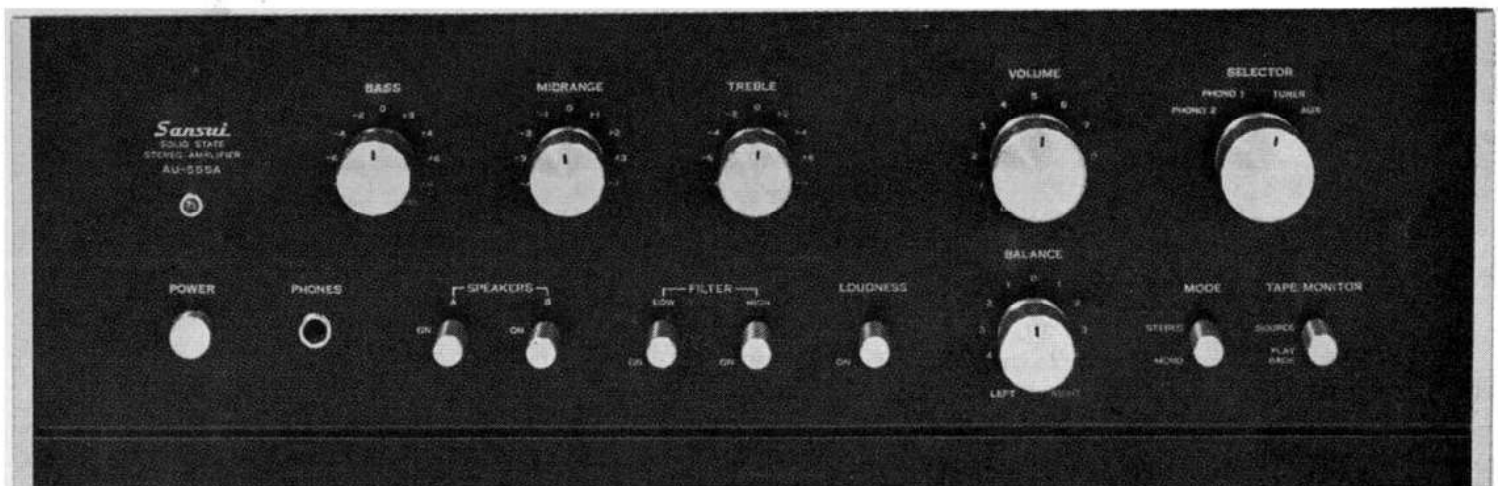


OPERATING INSTRUCTIONS & SERVICE MANUAL

SOLID-STATE STEREO AMPLIFIER

SANSUI AU-555A



Sansui

SANSUI ELECTRIC COMPANY LIMITED

Thank you for selecting the sansui AU-555A Solid State Stereo Control Amplifier, upgraded model of the AU-555, featuring the refined dull black panels and the exclusive Triple Tone Controls. We sincerely feel that you've made the best choice possible in the compact size and medium power amplifier field. In design, appearance and performance, the AU-555A draws heavily on the careful engineering that has made Sansui's larger AU-amplifiers favorites among stereo enthusiasts throughout the world. Like every Sansui audio component, the model AU-555A was inspected and certified to be in perfect operating condition before leaving our factory.

This manual has been prepared to help you keep it that way by covering the correct procedures for installation, connecting components and operating controls. For years of trouble-free stereo enjoyment, please read it carefully before operating the amplifier.

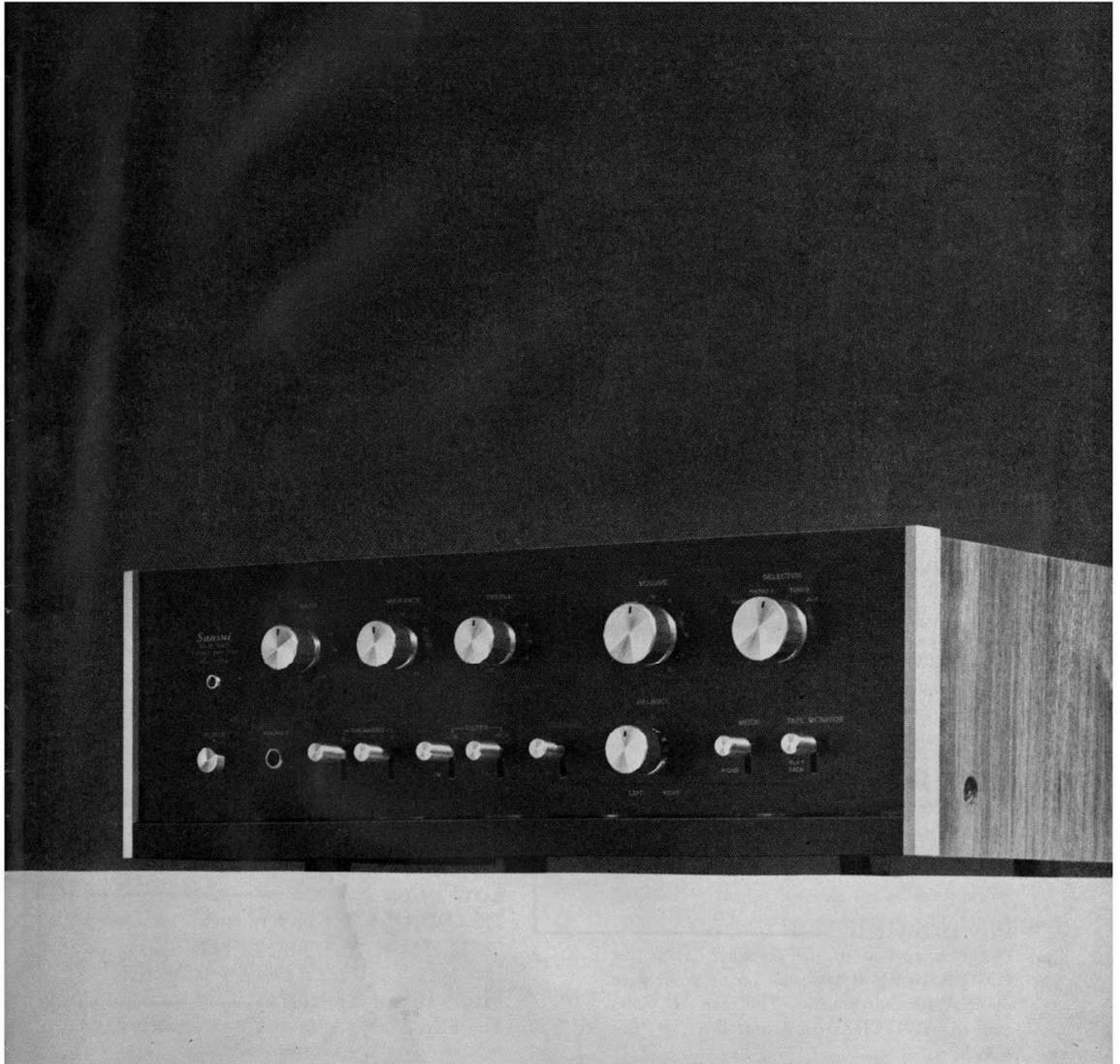
CONTENTS

OPERATING INSTRUCTIONS

SWITCHES AND CONTROLS	3, 4
OPERATIONS	5, 6
—SPEAKER CONNECTIONS	
—RECORD PLAYING	
OPERATIONS	7, 8
—RADIO RECEPTIONS	
—TAPE PLAYING	
ELECTRONIC CROSSOVER SYSTEM.....	9, 10
MAINTENANCE	11, 12
SPECIFICATIONS/ACCESSORIES.....	13
CHARACTERISTICS	14

SERVICE MANUAL

TROUBLESHOOTING CHART	15, 16
DISASSEMBLY PROCEDURE/TEST POINT.....	17
ALIGNMENT	18
BLOCK DIAGRAM.....	19
PRINTED CIRCUIT BOARDS AND PARTS LIST	
.....	20, 21, 22, 23, 24
OTHER PARTS AND THEIR POSITION ON CHASSIS	
.....	25, 26



SWITCHES AND CONTROLS

Bass Control

The BASS control is used to boost or to cut the low-end response, according to your taste, speaker response and listening conditions. With the BASS control in the mid-position (marked 0), the bass tone will sound exactly as recorded or broadcast. To increase the intensity of the bass tones, turn the BASS control clockwise. To decrease the bass loudness, turn the BASS control counterclockwise.

Treble Control

The TREBLE control does for the high frequencies what the BASS control does for the lows. To increase the intensity of the treble tones, turn the TREBLE control clockwise. To decrease the treble loudness, turn the TREBLE control counterclockwise.

Midrange Control

The MIDRANGE control does for the midrange what the BASS control does for the lows. To increase the intensity of the midrange tones, turn the MIDRANGE control clockwise. To decrease the midrange loudness, turn the MIDRANGE control counterclockwise.

Power Indicator

The power indicator glows when the POWER switch is pushed on. The indicator lamp remains lit while the amplifier is on.

Power Switch

Power is applied to the amplifier when the POWER switch is pushed. To turn off, push the POWER switch again. The rear AC outlet marked SWITCHED is controlled by this switch.

Headphones Jack

Plug in a headset for private listening or monitoring. The PHONES jack will accept any standard stereo phono plug but a dynamic headset is recommended.

Speaker Selector Switches

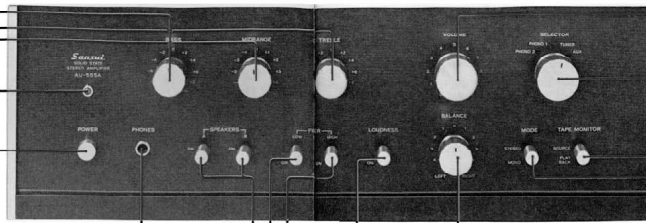
These switch enables you to choose between one set of speakers ("A" system) and another set ("B" system), which may be installed in the same room or in another part of the house. For private listening with headphones, set both switches to the OFF position.

Low Filter Switch

The LOW FILTER is used to reduce turntable rumble or other low-frequency noises.

High Filter Switch

This FILTER is used to reduce record scratch, tape hiss or other high-frequency noises.



Volume Control

The VOLUME control adjusts the over-all sound level of both channels. To increase the volume, turn the control clockwise.

Selector Switch

This switch selects from among the various program sources connected to the input jacks on the rear panel of the amplifier. Below are the switch positions and their functions:

PHONO 1—Selects a record player connected to the PHONO 1 inputs on the rear panel.

PHONO 2—Selects a record player connected to the PHONO 2 inputs on the rear panel.

TUNER—Selects a tuner, or MPX adaptor connected to the TUNER inputs on the rear panel.

AUX—Selects a tuner, MPX adaptor or other components connected to the AUX inputs on the rear panel.

Tape Monitor Switch

This switch enables you to compare the recorded tape with the original program. When the switch is in the PLAYBACK position, the recorded tape is heard from the loudspeakers. The monitoring process is only possible with a three-head tape machine. IMPORTANT: When not in use, make sure the switch is in the SOURCE position.

Mode Switch

STEREO—Use this position for all stereo programs.

MONO—Use this position for all monophonic programs. This position connects the left or right input or the L+R program to both speakers.

OPERATIONS

— SPEAKER CONNECTIONS

— RECORD PLAYING

SPEAKER CONNECTIONS

Two sets of any 4- to 16-ohm speakers can be used with the AU-555A. One set may be installed as the main system, the other may be installed in any room in the house. Both systems are controlled by the SPEAKER selector switches on the front panel of the amplifier.

Connection

No more than $\frac{1}{4}$ -inch of insulation should be removed from the end of a speaker cable, since any greater length of exposed wire is likely to cause shorts at the terminals on the rear of the amplifier. All wire strands should be tightly twisted. As illustrated on the opposite page push the jack button down and hold with one hand, insert the end wires of the speaker cable into the hole with the other hand, and release the button.

One Speaker System

To connect the main set of speakers (SYSTEM-A) to the amplifier:

1. Connect the (+) terminals of the speaker on your left (as viewed from the listening position) to the LEFT SYSTEM-A (+) terminal on the rear of the amplifier.
2. Connect the lead from the common speaker terminal (marked -, C, G etc.) to the LEFT SYSTEM-A (-) terminal on the rear of the amplifier.
3. Connect the (+) terminal of the right speaker to the RIGHT SYSTEM-A (+) terminal on the rear of the amplifier.
4. Connect the lead from the common speaker terminal (marked -, C, G etc.) to the RIGHT SYSTEM-A (-) terminal on the rear of the amplifier.
5. Turn on the SPEAKER A switch.

Additional Speakers

If you wish to connect another set of speakers in the same room or remotely, you can connect such speakers to the SPEAKER SYSTEM-B terminals of each channel as indicated in the preceding section. In this case, turn on the SPEAKER B switch.

Important: If you want to use two stereo pairs of speaker systems at the same time, their impedance must be more than 8 ohms each. When one pair of 4-ohm speaker systems are connected to the SYSTEM A terminals and the other pair of 4-ohm speaker systems to the SYSTEM B taps, never use them simultaneously with both SPEAKER switches on.

RECORD PLAYING

Record Player Connections

The AU-555A has two sets of PHONO inputs to accommodate a pair of players or pickup arms.

To connect a record player to the amplifier, proceed as follows:

1. Connect the left channel output of the record player to the LEFT PHONO 1 (or PHONO 2) input jack on the rear of the amplifier.
2. Connect the right channel output of the record player to the RIGHT PHONO 1 (or PHONO 2) input jack.
3. If a monophonic player or turntable is used, it may be connected to either LEFT or RIGHT PHONO input jack.

NOTE: A record player with a constant amplitude cartridge such as crystal or ceramic is not recommended for use with the AU-555A from a standpoint of tone quality. If such a player must be used, connect the output of the player to the AUX input jack on the rear of the amplifier.

Operation

1. Turn the SELECTOR switch to PHONO 1 or PHONO 2, depending on the turntable you wish to hear.
2. Set the MODE switch to STEREO. If a monophonic turntable is used, set the MODE switch to MONO.
3. Switch the turntable ON, and select the correct speed for the record to be played.
4. Place the needle on the record. When monophonic records are played on a stereo player, follow the same procedures as for stereophonic records for better results.

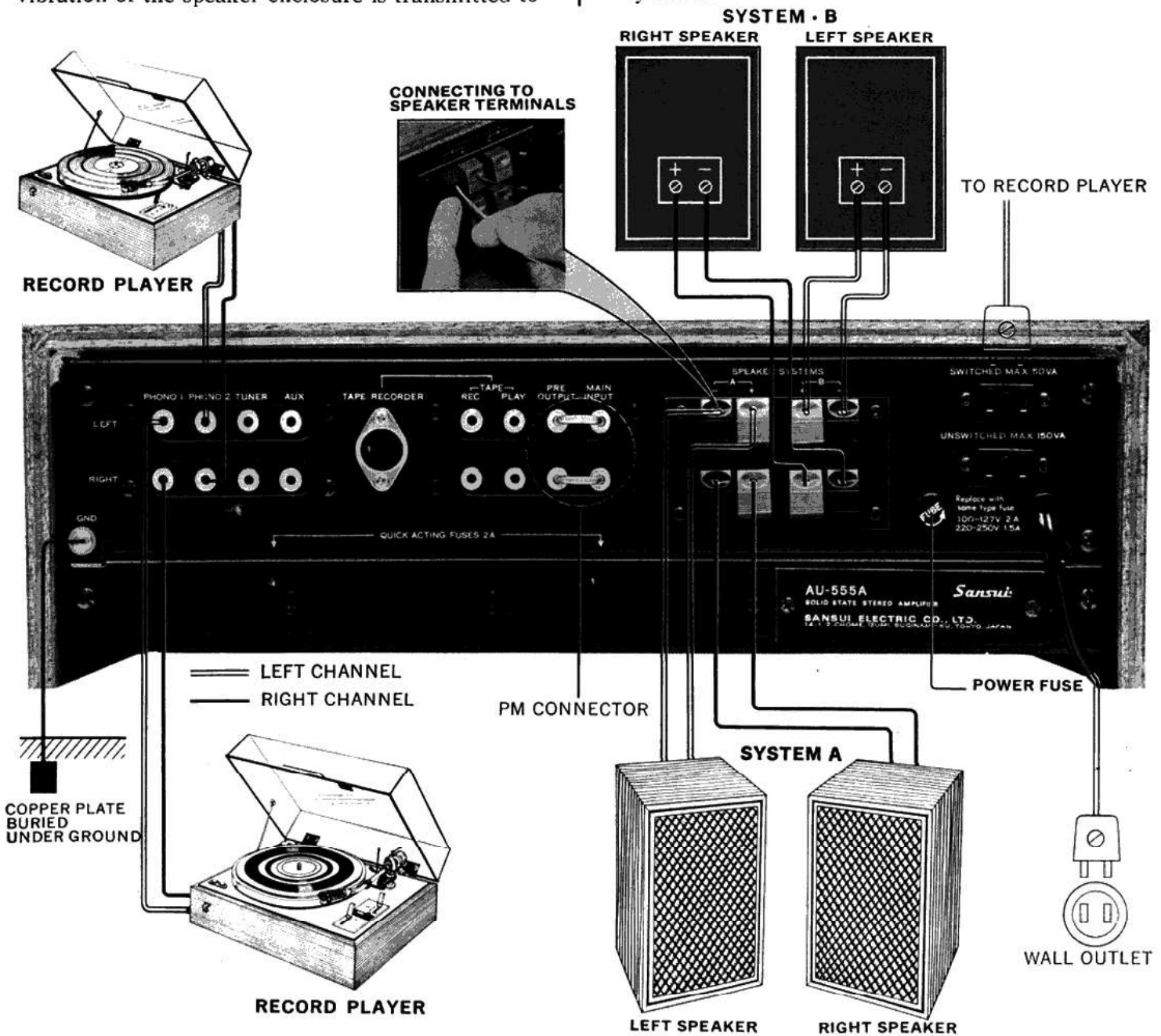
5. Adjust the BALANCE control to obtain equal sound from both right and left channels.
6. Use all other controls and switches according to personal taste and listening conditions.

Humming and Howling

Care must be taken never to place a record player on or too near a speaker enclosure. Otherwise the vibration of the speaker enclosure is transmitted to

the player and causes howling. It is best to keep these components completely separated, but if this is impossible, to place a thick cushion between them.

Humming is a phenomenon caused by incomplete or incorrect player-amplifier connections. If this occurs, check to make sure that all connections are complete and that the connecting wire is sufficiently thick.



OPERATIONS

RADIO RECEPTIONS

TAPE PLAYING

RADIO RECEPTIONS

Tuner Connections

- a. **Stereo Tuner**—Connect the left channel output of a stereo tuner to the left channel TUNER or AUX input, and the right channel output to the right channel TUNER or AUX input.
- b. **Monophonic Tuner**—Connect the output of a monophonic tuner to either right or left channel TUNER (or AUX) input.
- c. **FM Tuner with FM-MPX Adaptor**—Connect the output of an FM tuner to the input of an FM-MPX adaptor. The outputs of the adaptor should be connected in the same manner as a stereo tuner.

Operation

Stereo Tuner

1. Turn the SELECTOR switch to TUNER or AUX.
2. Set the MODE switch to STEREO.
3. Select the station desired with the tuning dial.
4. Use all other controls and switches according to taste and listening conditions.

Monophonic Tuner

1. Turn the SELECTOR switch to TUNER or AUX.
2. Set the MODE switch to MONO.
3. Select the station desired with the tuning dial.
4. Use all other controls and switches according to taste and listening conditions.

FM Tuner with FM-MPX adaptor

1. Turn the SELECTOR switch to TUNER or AUX.
2. Set the MODE switch to STEREO.
3. Select the station desired with the tuning dial.
4. Set the FM-MPX adaptor to STEREO.
5. Use all other amplifier controls and switches according to taste and listening conditions.

NOTE: Before connecting and operating the tuner and FM-MPX adaptor, be sure to look up the manufacturer's information.

TAPE PLAYING

Tape Decks

Both DIN plug and pin jack tape decks can be connected to record from, and playback through, the amplifier. When a 3-head tape deck with separate recording and playback heads is used, the quality of tape recordings made from the amplifier can be compared with the source material while it is being recorded.

Connection

DIN plug tape deck—Plug into the TAPE RECORDER socket on the rear panel of the amplifier.

Pin-jack tape deck—Connect the left channel recording input of the tape deck to the LEFT REC jack and the right channel recording input to the RIGHT REC jack. Connect the left channel playback output of the tape deck to the LEFT PLAY jack and the right channel playback output to the RIGHT PLAY jack.

Recording

1. Turn the SELECTOR switch to the program source to be recorded.
2. If a stereo tape deck is used, set the MODE switch to STEREO. If a mono tape recorder is used, set the MODE switch to MONO.
3. Switch the tape deck ON and set its controls for recording operation.
4. Use all other controls and switches as appropriate.

Playback

1. Turn the TAPE MONITOR switch to PLAYBACK.
2. Switch the tape deck ON and set its controls for playback operation.
3. Use all other controls and switches of the amplifier according to taste and listening conditions.

Monitoring

To monitor, proceed in the same manner as indicated in the section entitled 'Playback'.

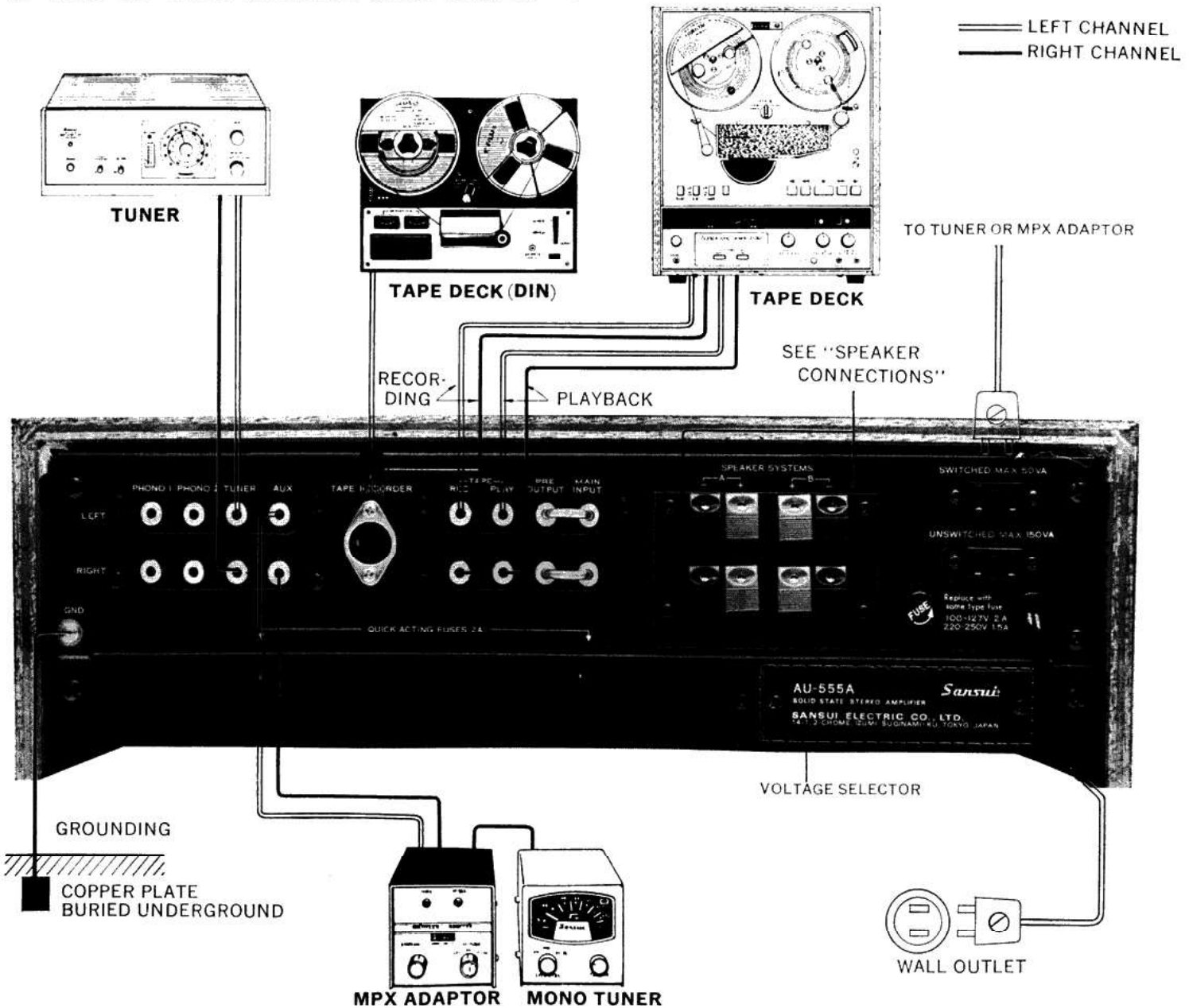
NOTE:

1. Tape recorded sound cannot be controlled by the switches and controls on the front panel of the amplifier. They control sound from the speakers only.
2. When the TAPE MONITOR switch is not in

use, make sure the switch is in the SOURCE position.

3. Tape decks referred to in this section include only those with built-in playback preamplifiers.

4. Tape monitoring is possible only with 3-head tape decks i.e., those with separate playback and recording heads.



ELECTRONIC CROSSOVER SYSTEM

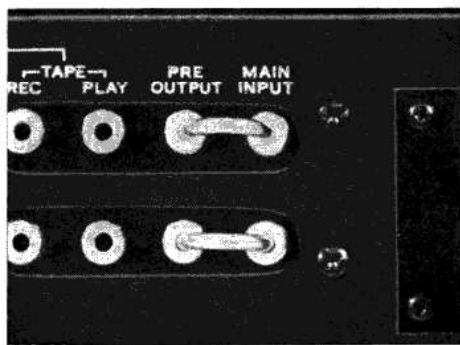
Pre-and Main Amplifiers

The AU-555A's pre- and main amplifier sections can be used independently. To use in this manner, remove the PM connectors from the jacks marked PRE OUTPUT and MAIN INPUT on the rear of the amplifier. An additional main amplifier can then be connected to the PRE OUTPUT and an additional pre-amplifier to the MAIN INPUT. When the additional pre-amplifier is connected, only the SPEAKER switches is usable on the front panel of the AU-555A. Thus, tone and volume should be adjusted by means of corresponding controls on the additional pre-amplifier. When an additional main amplifier is connected, all the controls and switches on the front panel of the AU-555A are usable.

PM Connectors

The PM connectors hook up the PRE OUTPUT and MAIN INPUT terminals on the rear panel of the amplifier so that the pre- and main amplifiers can be used individually and separately. When the PM connectors are removed, the pre- and main amplifier circuits are opened. They should not be removed except when connecting additional pre- and/or main amplifiers for an electronic crossover system. Refer to the section titled PRE-AND MAIN AMPLIFIERS.

Warning: Be sure to push the POWER switch OFF before removing the PM connectors.



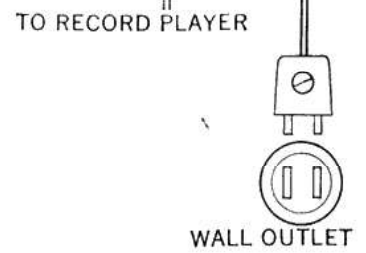
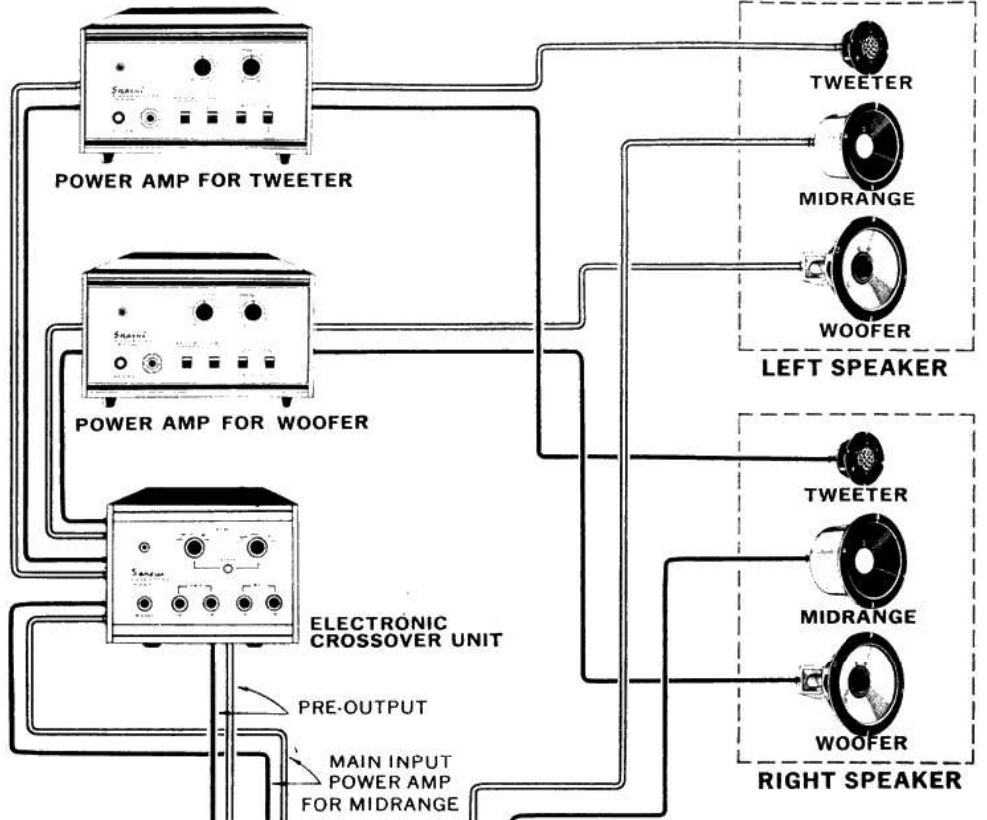
Electronic Crossover System

The electronic crossover system is said to be the best hi-fi sound reproduction method available, featuring the following advantages:

1. Since the tweeters, midranges and woofers have their own amplifier, any speakers of different impedance and efficiency can be used for stereo arrangement.
2. This system has better filter characteristics than the conventional LC crossover network. You can determine the optimum crossover points for the speakers used.
3. Since there is no component between the amplifier and speaker, the damping factor of the amplifier is not affected and it is directly coupled to the speaker.
4. This system allows use of the power amplifiers effectively and efficiently. For instance, a big-power amplifier can be used for woofers, and ones with good characteristics for midranges and tweeters. You can select the amplifiers suitable for each of the woofers, midranges and tweeters.

The AU-555A's preamp and main amplifier sections can be used separately by simply removing a pair of connectors from the PRE OUTPUT and MAIN INPUT jacks on the rear panel. This feature enables you to use the AU-555A as a component of an Electronic Crossover System.

AN EXAMPLE OF CONNECTIONS FOR ELECTRONIC CROSSOVER SYSTEM



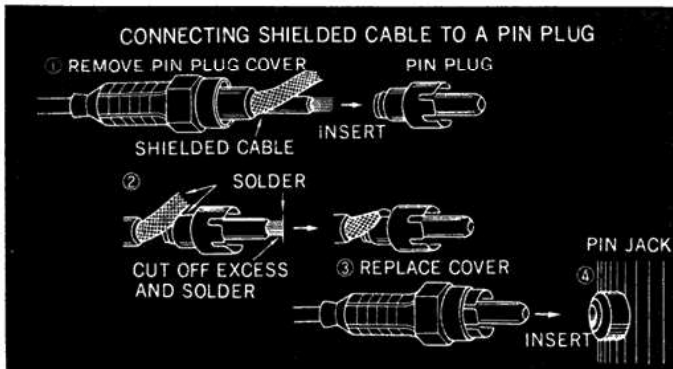
==== LEFT CHANNEL
—— RIGHT CHANNEL

MAINTENANCE

Wire Connections

When connecting tape machines, record players or other components to the AU-555A, be sure to use shielded wire. The use of an ordinary cord or vinyl wire may cause humming and buzzing. The length of the shielded wire should be shorter than 5 feet. Be sure that all lead wires between the amplifier and components are properly connected. If the connections are loose or in touch with other parts, the amplifier will not function properly, may pick up noise, and even breakdown over a period of time. Also, be sure to read the manufacturer's instructions for any component before connecting it to the AU-555A.

The shielded wire is made up for use as illustrated below:



Phasing

The right and left speakers must be properly phased. The speakers for the two channels must push the sound wave out together. If one pushes while the other pulls, there is sound cancellation at some frequencies or in some listening locations. Incorrect phasing is evidenced by loss of bass when you are listening to a monophonic record on a stereo record player at a point midway between the two speaker systems. If incorrect, reverse the speaker connections (+ and -) of either speaker system.

Where to Place

Since transistors are extremely susceptible to heat, the AU-555A has been designed to diffuse heat through the top and rear of its case. Therefore, special consideration should be given to where it will be used before installing the system. It should not be operated in a place where it is exposed directly to the sun, near radiators or other heat-generating sources, and it should never be mounted in an air-tight cabinet. Finally nothing should be placed on top of it.

Grounding

Connect one end of vinyl or enameled wire to the terminal screw marked GND on the rear of the amplifier, attach a copper plate to the other end, and bury it underground.

AC Outlets

Two AC outlets have been provided on the rear panel of the amplifier to serve as power supply sources for tape decks, record players or other components used with the AU-555A. The upper outlet marked SWITCHED is controlled by the POWER switch on the front panel of the amplifier.



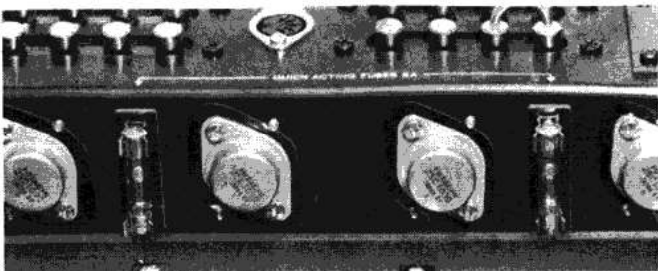
Power Fuse

Should the amplifier fail to operate and the power indicator fail to light up when the POWER switch is turned on, the probable cause is either a power stoppage or a blown fuse. To check, remove the AU-555A's power supply cord from its outlet, turn the fuse holder on the rear panel counterclockwise, and remove the fuse. If it is blown, replace it with a new glass-tubed fuse of the same capacity (100~127V—2A, 220~250V—1.5A) after determining and eliminating the trouble source that caused the fuse to blow. Using wire or a fuse of a different capacity as a stop-gap measure is dangerous and should be avoided.



Quick-Acting Fuses

If, after the POWER switch is pushed on and the power indicator lights up, neither channel operates or only one operates normally, is either because one or both quick-acting fuses have blown. In this case, remove the line cord from its a.c. outlet and remove the bottom plate from the chassis to check to see if the fuses are blown. If the fuses are faulty, replace them with identical 2A fuses (supplied) after finding and eliminating the source of trouble that caused them to blow. The trouble is probably by short at the output circuit or excessive input fed into the input circuit.



Poltage Adjustment

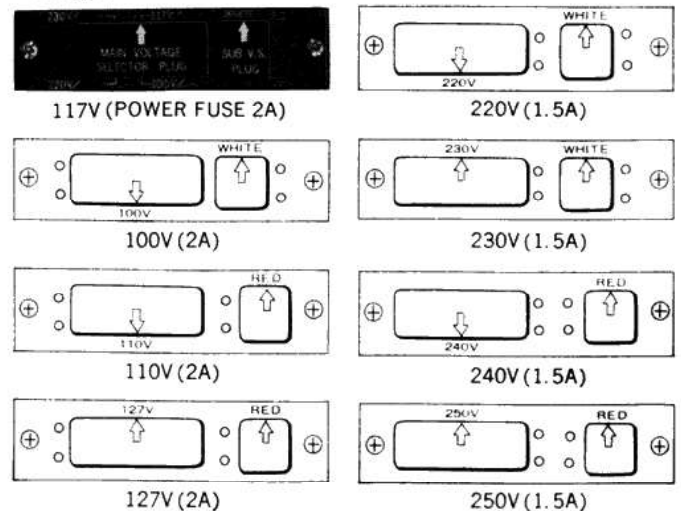
To reach the voltage selector, remove the two screws from the nameplate on the rear panel and then remove the nameplate. The voltage selector makes it possible to operate the AU-555A at the correct voltage in any area. The voltage has been pre-adjusted at the factory, but can be easily readjusted as follows:

STEP I Set arrow of main voltage selector plug to required voltage: 100, 110, 117, 127, 220, 230, 240 or 250 volts.

STEP II If numerals of voltage are printed in red, set arrow of adjacent sub V.S. plug to position marked red. If they are printed in white, set arrow to position marked white.

STEP III The power fuse should also be changed whenever the AC line voltage is changed. For 100-127 volt operation a 2 ampere fuse is required. For 220-250 volt operation the fuse should be changed to a 1.5 ampere unit.

NOTE: The voltage selector can be used to eliminate the trouble caused by the considerable voltage fluctuation. In this case, it should be set to the peak voltage.



SPECIFICATIONS / ACCESSORIES

POWER AMPLIFIER SECTION

POWER OUTPUT:

MUSIC POWER (IHF):	85W	at 4 ohms load
	60W	at 8 ohms load
CONTINUOUS POWER:	33/33W	at 4 ohms load
	25/25W	at 8 ohms load

TOTAL HARMONIC DISTORTION:

less than 0.5% at rated output

INTERMODULATION DISTORTION:

(60Hz: 7,000Hz = 4 : 1 SMPTE method)

less than 0.5% at rated output

POWER BANDWIDTH (IHF):

20 to 40,000Hz

FREQUENCY RESPONSE: (at normal listening level)

20 to 40,000Hz \pm 1dB

CHANNEL SEPARATION: (at 1,000Hz rated output)

better than 60dB

HUM and NOISE (IHF):

better than 100dB

INPUT SENSITIVITY:

1V for rated output

INPUT IMPEDANCE:

100k ohms

LOAD IMPEDANCE:

4 to 16 ohms

DAMPING FACTOR:

50 at 8 ohms load

PRE-AMPLIFIER SECTION

OUTPUT VOLTAGE

MAXIMUM OUTPUT VOLTAGE: 5V

RATED OUTPUT VOLTAGE: 1V

TOTAL HARMONIC DISTORTION:

less than 0.1% at rated output voltage

FREQUENCY RESPONSE: 20 to 30,000Hz \pm 1dB

CHANNEL SEPARATION: (at 1,000Hz rated output voltage)

PHONO-1 and 2: better than 45dB

TUNER and AUX: better than 50dB

HUM and NOISE (IHF):

PHONO-1 and 2: better than 70dB

TUNER and AUX: better than 80dB

INPUT SENSITIVITY:

PHONO-1 and 2: 2mV (50k ohms)

TUNER: 180mV (50k ohms)

AUX: 180mV (50k ohms)

TAPE PLAY (pin): 180mV (50k ohms)

TAPE RECORDER (DIN): 180mV (50k ohms)

RECORDING OUTPUT: (at 1,000Hz rated input voltage)

TAPE REC (pin): 180mV

TAPE RECORDER (DIN): 30mV

EQUALIZER:

PHONO: RIAA NF type

CONTROLS:

BASS: +12dB ~ -12dB at 30Hz

MIDRANGE: +5dB ~ -5dB at 1,500Hz

TREBLE: +10dB ~ -10dB at 15,000Hz

LOUDNESS: +8dB at 50Hz,

+3dB at 10,000Hz

(volume control at -30dB)

SWITCHES:

LOW FILTER: -8dB at 50Hz

HIGH FILTER: -7dB at 10,000Hz

MODE: STEREO, MONO

TAPE MONITOR: SOURCE, PLAYBACK

SELECTOR: PHONO-2, PHONO-1, TUNER,

AUX

SPEAKER: A, B

ON, OFF

SEMICONDUCTORS:

TRANSISTORS: 23

DIODES: 2

POWER REQUIREMENTS:

POWER VOLTAGE: 100, 110, 117, 127, 220, 230

240, 250V 50/60Hz

POWER CONSUMPTION:

130VA (max. signal)

DIMENSIONS:

15 $\frac{9}{16}$ " (395mm) W, 5" (127mm) H,

10 $\frac{5}{16}$ " (278mm) D

WEIGHT:

17.6 lbs. (8kg)

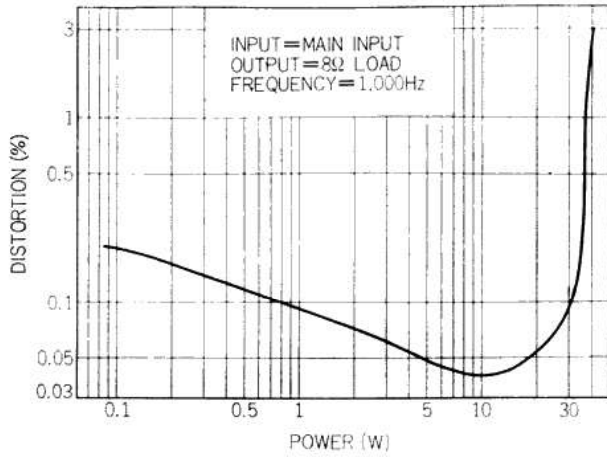
*All rights reserve specifications subject to change without notice.

ACCESSORIES LIST

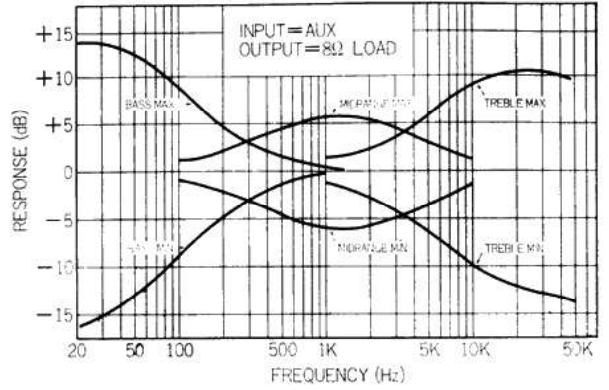
1. OPERATING INSTRUCTIONS AND SERVICE MANUAL	1
2. OPERATING SHEET	1
3. PIN-PLUGS	4
4. BUTTERFLY BOLTS	2
5. WASHERS.....	2
6. POLISHING CLOTH.....	1
7. QUICK ACTING FUSES (2A)	2

CHARACTERISTICS

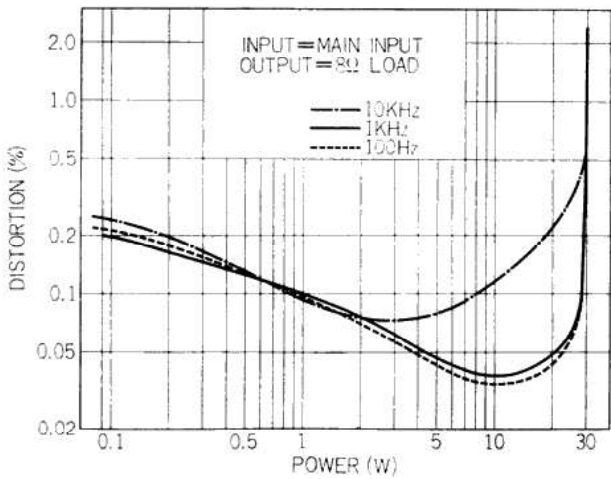
MUSIC POWER



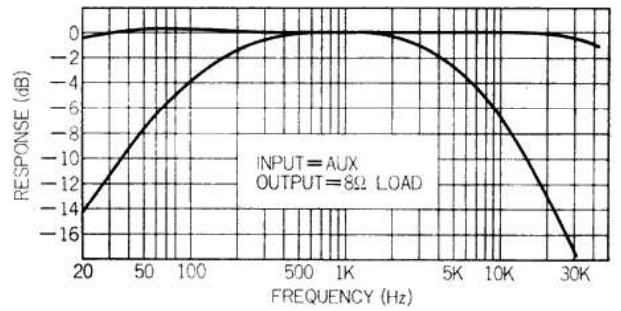
TONE CONTROL



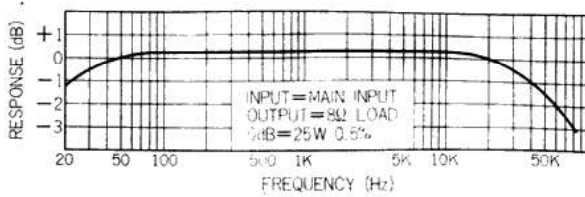
POWER OUTPUT HARMONIC DISTORTION



LOW / HIGH FILTER



POWER BANDWIDTH



TROUBLESHOOTING CHART

The troubleshooting charts in this manual help you isolate the cause of the trouble to a particular unit or part. If you can identify the nature of the trouble with that in these charts and can find the part number in the column under the CHECK POINT, look up the PARTS LIST on page 20~26. Following each part number in the PARTS LIST are number-letter combinations indicating the position of the part on the circuit diagram and the printed circuit sheet. These co-ordinate numbers and letters appear along the outer edge of the circuit diagram and the printed circuit sheet diagram in this manual. The numbers run from top to bottom and the letters from left to right. Finally, repair or replace the defective part.

In some instances, the amplifier which is operating satisfactorily develops hum or noise as listed on this page. In this case, eliminate the trouble source as indicated in the column under WHAT TO DO.

If you are confronted with a trouble not covered here or if you have any questions concerning the operation and maintenance of this amplifier, please contact our Customer Service Department.

If the amplifier is operating satisfactorily, the trouble may be attributed to the following:

1. Incorrect connections to or loose terminal contact with the speakers, record player, tape recorder or deck, line cord etc.
2. Incorrect operation of the amplifier and/or other

components.

3. Improper positioning of the components such as speakers and record player.

4. Defective component or copomnents connected to the amplifier.

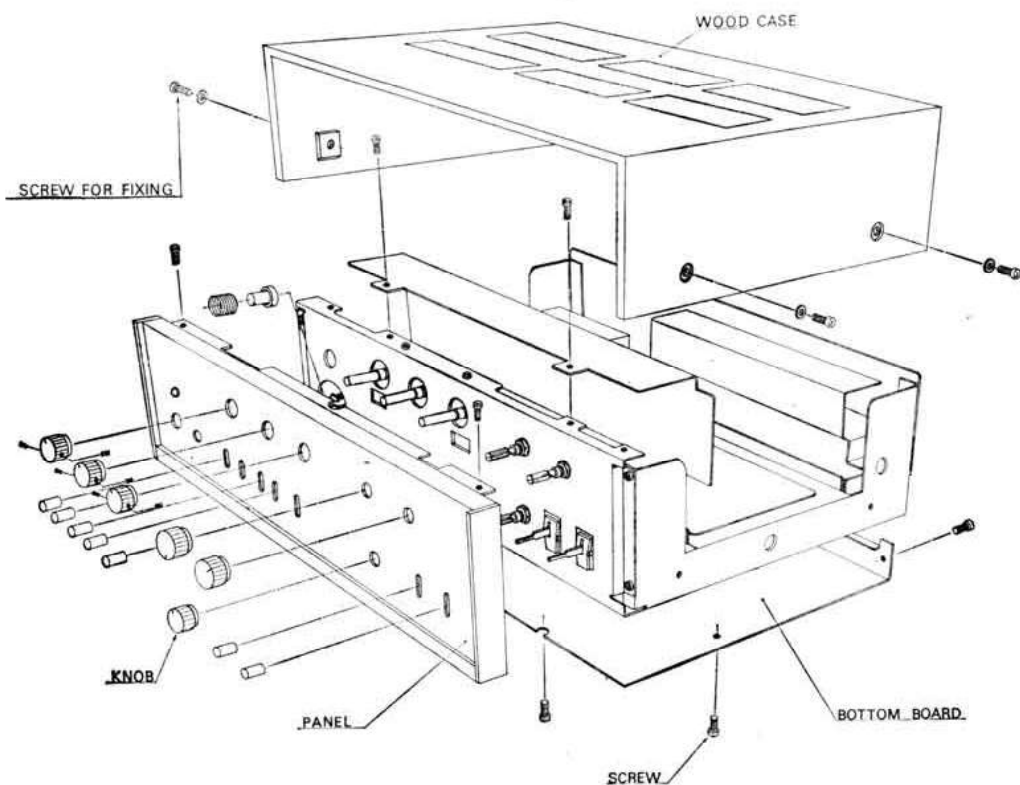
The next step to do is listed below:

PROGRAM SOURCE	SYMPTOM	PROBABLE CAUSE	WHAT TO DO
Tuner	Noise is heard continuously or intermittently at a particular time of a day or in a certain area.	<ul style="list-style-type: none"> * Discharge or oscillation caused by electrical appliances, such as fluorescent lamp, TV set, a.c. motor, rectifier, oscillator etc. * Insufficient antenna input or reception in fringe area * Wave interference * Natural phenomena, such as atmospherics, statics, strays and thunderbolt 	<ul style="list-style-type: none"> * Attach a noise limiter to the electrical appliance that causes the noise, or attach it to the tuner. * Keep the said electrical appliance well away from the tuner. * Install an outdoor antenna and ground the amp to raise the signal-to-noise ratio. * If the noise occurs at a certain frequency, attach a wave trap to the ANT input. * Reverse the power cord plug-receptacle connections.
	During AM reception, noise is heard at a particular time of a day, in a certain area or over part of dial.	<ul style="list-style-type: none"> * Field intensity of AM signals 	<ul style="list-style-type: none"> * Reset AM antenna for better reception * Ground the amp, or reverse the power cord plug-receptacle connections.
	High-frequency noise is heard during AM reception.	<ul style="list-style-type: none"> * Beat interference, i.e., interaction of two stations closely spaced * TV set close to the audio system 	<ul style="list-style-type: none"> * The noise caused by beat interference cannot be completely eliminated. But it is advisable to turn the TREBLE control to the minimum counterclockwise position and turn on the HIGH filter. * Keep the TV set well away from on the audio system.

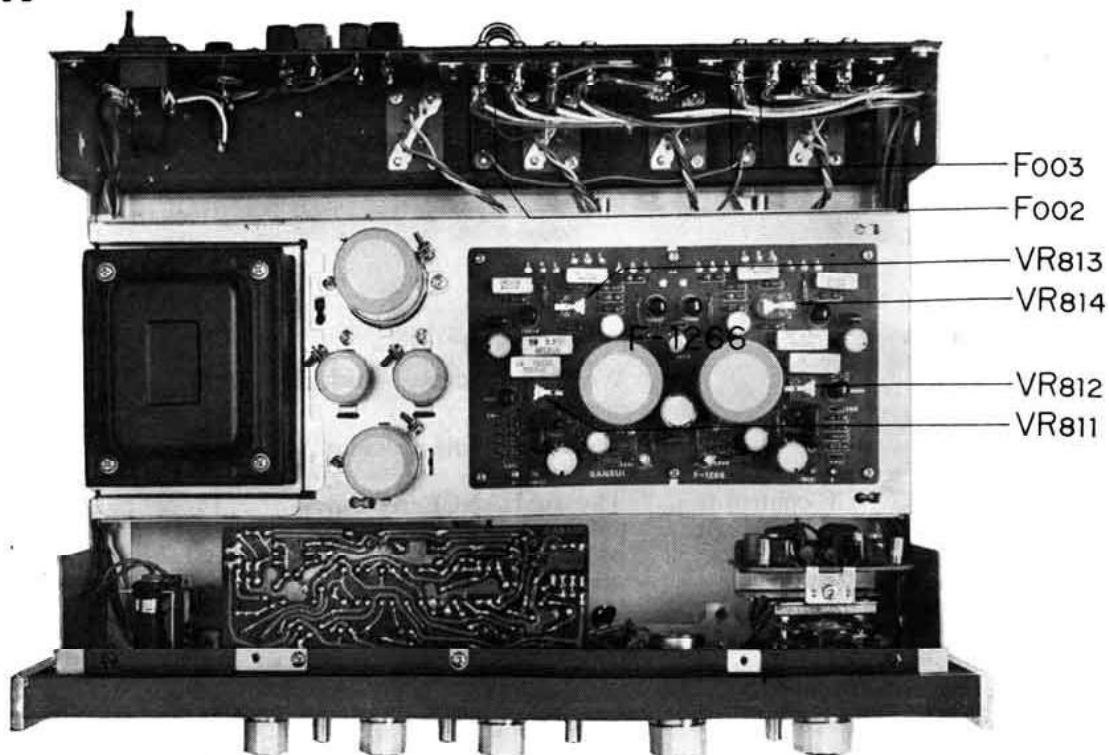
PROGRAM SOURCE	SYMPTOM	PROBABLE CAUSE	WHAT TO DO
	<p>Noise during FM reception</p> <p>Note: FM reception is affected considerably by the conditions of transmission by stations: power and antenna efficiency. As a result, you may receive one station quite well while having difficulty in receiving another station.</p>	<ul style="list-style-type: none"> * Poor noise limiter effect or too low S/N ratio due to insufficient antenna input 	<ul style="list-style-type: none"> * Install the antenna for maximum signal strength. * If this does not prove effective, use an outdoor antenna designed exclusively for FM. * When you make use of an existing TV antenna for this purpose, attach a divider to prevent interaction. * Note that excessively long antenna may rather cause a noise.
	<p>Noise is heard suddenly during FM reception.</p>	<ul style="list-style-type: none"> * Ignition noise caused by starting of an automobile engine 	<ul style="list-style-type: none"> * Keep the antenna and its lead-in wire well away from the road side. Or raise the antenna input as described above.
	<p>Noise is heard during FM stereo reception while being not heard during FM mono.</p>	<ul style="list-style-type: none"> * The service area of FM stereo broadcast is only half as much as that of the FM mono. 	<ul style="list-style-type: none"> * Install the antenna for maximum antenna input. * Turn on the HIGH filter and/or turn the TREBLE control to the minimum counterclockwise position.
<p>Record player, tape recorder or deck</p>	<p>Hum or howling</p>	<ul style="list-style-type: none"> * Record player placed directly on the speaker box * Connecting wire not shielded * Loose terminal contact * Connecting cord too close to the power cord, fluorescent lamp or other electrical appliances * Nearby amateur radio station or TV transmission antenna 	<ul style="list-style-type: none"> * Put a cushion between record player and speaker box or keep them away from each other. * Use shielded cord. * Switch on the LOW filter and/or turn the BASS control from midpoint to left. * Make connecting cord as short as possible. * Connect cord tightly at terminals. * Keep connecting cord well away from them. * Consult the nearest Radio Regulatory Bureau.
	<p>Surface noise</p>	<ul style="list-style-type: none"> * Worn or old record * Worn or dusty pickup needle. * Improper needle pressure 	<ul style="list-style-type: none"> * Turn the TREBLE control properly from mid-point to left and/or switch on the HIGH filter. Adjust the needle pressure.
<p>Common to all program sources</p>	<p>The BALANCE control is not at the midpoint when equal sound comes from left and right channel.</p>	<ul style="list-style-type: none"> * The BALANCE control is not always set to the midpoint depending the source materials. 	<ul style="list-style-type: none"> * Proper balance exists when the sound seem to originate at a point midway between the speakers.

DISASSEMBLY PROCEDURE / TEST POINT

REMOVING THE FRONT PANEL, WOOD CASE AND BOTTOM PLATE

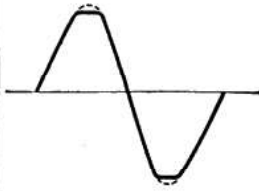


TEST POINT



ALIGNMENT

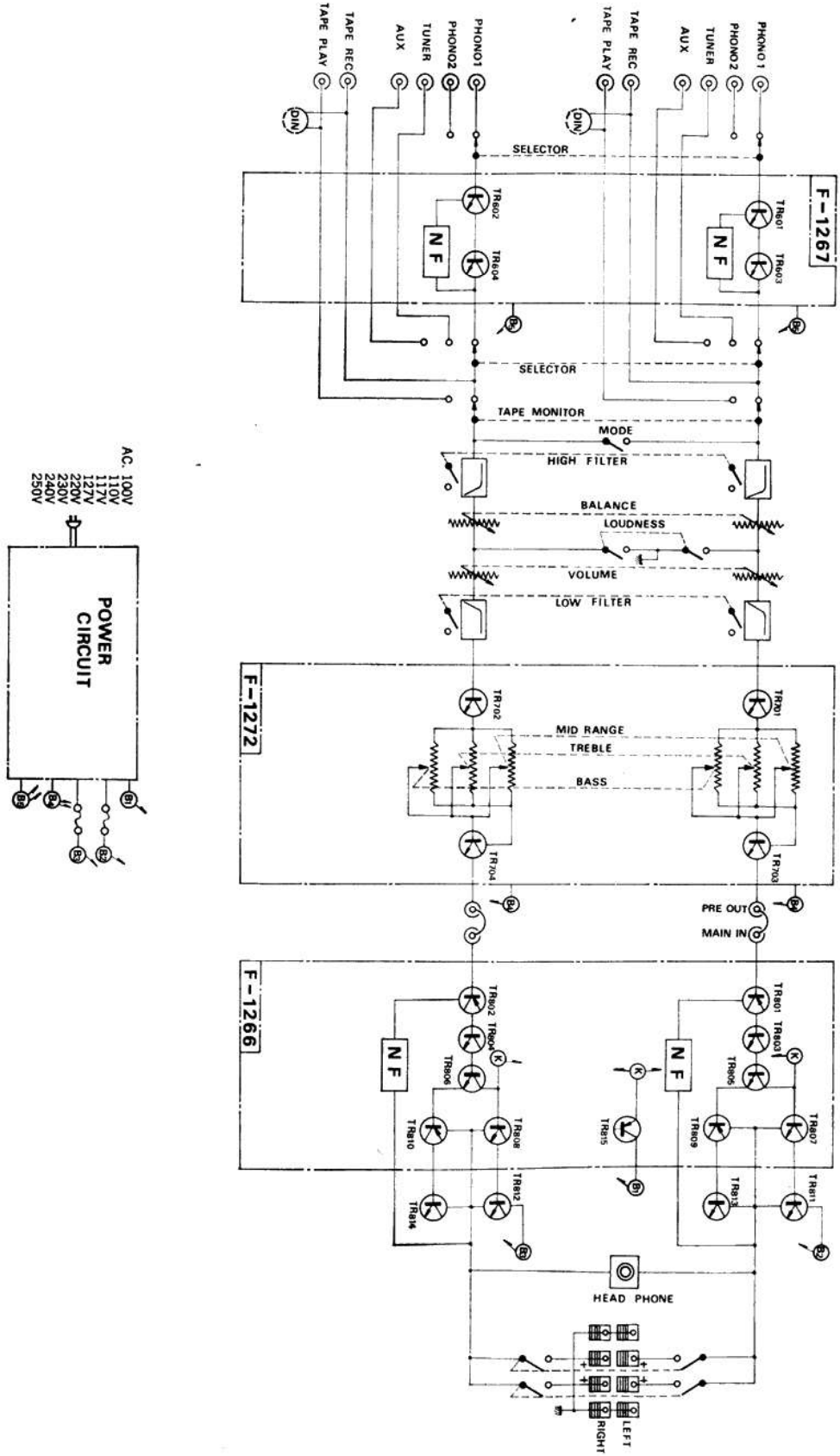
MAIN-AMP SECTION OUTPUT ADJUSTMENT

STEP	CONNECTIONS & ALIGN	REMARKS
1.	Set VOLUME control to minimum.	Oscillator required: oscillation frequency of 20 to 20,000 Hz and output voltage of more than 200mV.
2.	Set oscillator to 1,000Hz and connect it to AUX of channel L.	
3.	Set SELECTOR switch to AUX	When measuring, BALANCE control to mid-position, TAPE MONITOR switch to SOURCF, MODE switch to STEREO, TONE, controls to 0 and other accessory switches to OFF position.
4.	Connect a 8-ohm (or 16-ohm) load resistor (minimum rating of 50 watts) to SYSTEM A LEFT speaker terminal.	
5.	Turn SPEAKER A switch ON.	
6.	Connect oscilloscope to speaker terminal.	
7.	Turn POWER switch ON; turn VOLUME control clockwise little by little; and check output at speaker terminal by using oscilloscope.	
8.	Adjust VR ₈₁₁ so that both crests of output wave form are clipped. For channel R, follow same procedure as above. In Step 8, adjust VR ₈₁₂ for clipped crests of output wave.	

MAIN-AMP SECTION CURRENT ADJUSTMENT

STEP	AMMETER (TESTER)	CONNECTIONS & ALIGN	REMARKS
1.		Remove F ₀₀₂ and F ₀₀₃	Ammeter required: 100mA or 50mA range
2.		Set VR ₈₁₃ and VR ₈₁₄ to minimum counter-clockwise position.	
3.		Turn POWER switch ON.	
4.	Set to 100mA range.	Set ammeter in place of F ₀₀₂ . Connect its ⊕ terminal to B ₁ , and its ⊖ terminal to B ₂ in schematic diagram.	Be sure to turn POWER switch on and then connect ammeter.
5.		Turn VR ₈₁₃ and adjust current to 20mA	
6.		Turn POWER switch OFF and reset F ₀₀₂ to its original position.	
7.	Set to 100mA range.	Turn POWER switch ON and set ammeter in place of F ₀₀₃ . Connect its ⊕ terminal to B ₁ , and its ⊖ terminal B ₃ in schematic diagram.	
8.		Turn VR ₈₁₄ and adjust current to 20mA	

BLOCK DIAGRAM



PRINTED CIRCUIT BOARDS AND PARTS LIST

X: Parts No. Y: Parts Name Z: Position of Parts

EQUALIZER <F-1267>

X	Y	Z
R601	2.2k Ω	2 B
R602	2.2k Ω	2 A
R603	56k Ω	2 B
R604	56k Ω	2 A
R605	390k Ω	2 B
R606	390k Ω	2 A
R607	3.9k Ω	2 B
R608	3.9k Ω	2 A
R609	330 Ω	1 B
R610	330 Ω	1 A
R611	180k Ω	1 B
R612	180k Ω	1 A
R613	820 Ω	1 B
R614	820 Ω	1 A
R615	6.8k Ω	1 B
R616	6.8k Ω	1 A
R617	82k Ω	2 B
R618	82k Ω	2 A
R619	330k Ω	1 B
R620	330k Ω	1 A
R621	1.5k Ω	1 B
R622	1.5k Ω	1 A
R623	22k Ω	1 B
R624	22k Ω	1 A

± 10% 1/4 W Carbon Resistor

X	Y	Z	
C601	0.33 μ F	2 B	
C602	0.33 μ F	2 A	
C603	68 pF	2 B	
C604	68 pF	2 A	
C605	68 pF	1 B	
C606	68 pF	1 A	
C607	3.3 μ F	25 WV	2 B
C608	3.3 μ F	25 WV	2 A
C609	100 μ F	6.3 WV	2 B
C610	100 μ F	6.3 WV	2 A
C611	1 μ F	50 WV	1 B
C612	1 μ F	50 WV	1 A
C613	0.01 μ F		1 B
C614	0.01 μ F		1 A
C615	0.003 μ F		1 B
C616	0.003 μ F		1 A
C617	0.047 μ F		1 B
C618	0.047 μ F		1 A

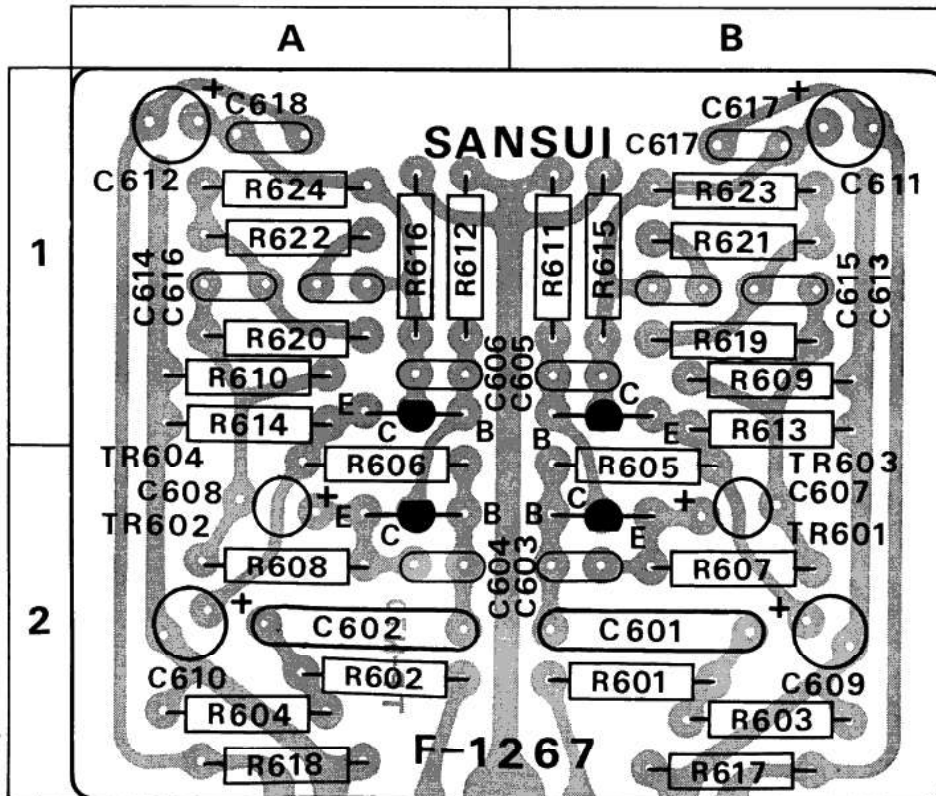
± 10% 50 WV Mylar Capacitor

± 10% 25 WV Ceramic Capacitor

Electrolytic Capacitor

± 10% 50 WV Mylar Capacitor

TR601	2SC871R(E,F)	(030547-4,-5)	2 B
TR602	2SC871R(E,F)		2 A
TR603	2SC871R(F)	(030547-5)	2 B
TR604	2SC871R(F)		2 A



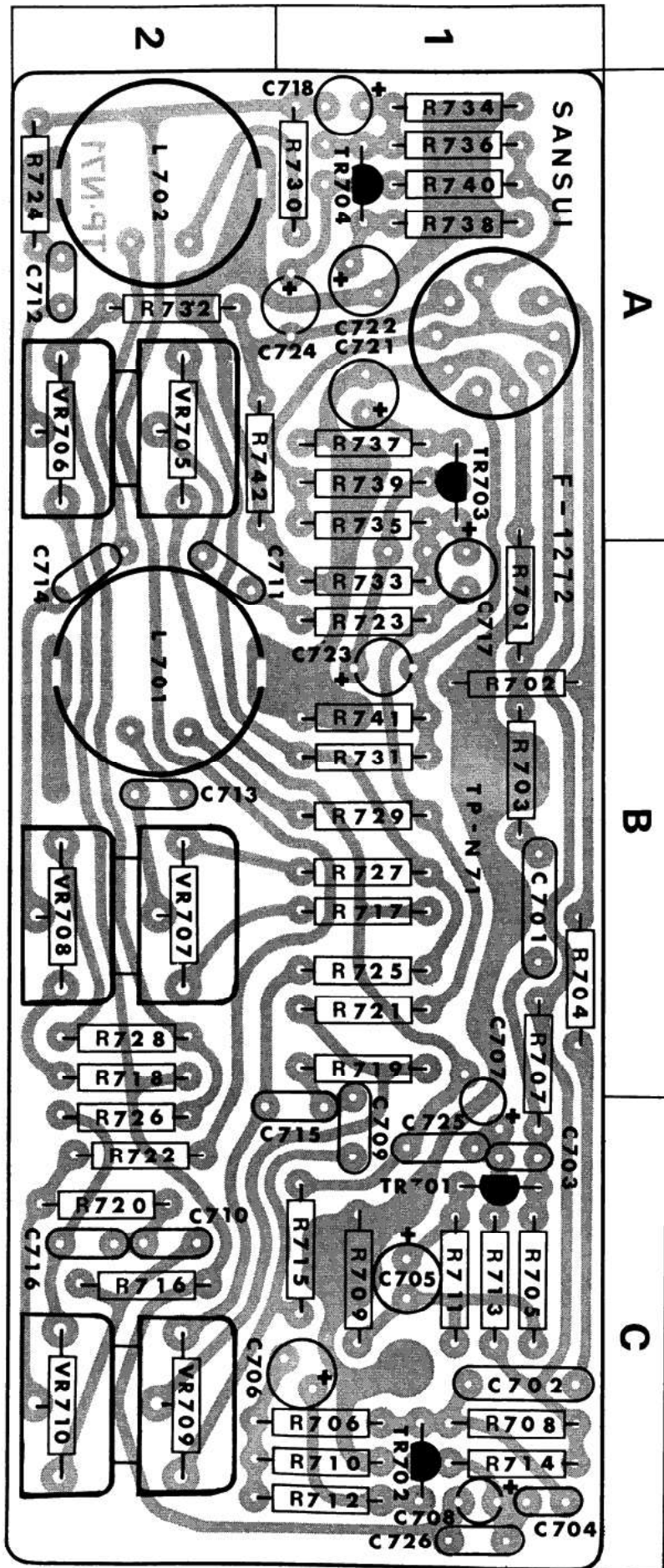
PRINTED CIRCUIT BOARDS AND PARTS LIST

X: Parts No. Y: Parts Name Z: Position of Parts

TONE CONTROL <F-1272>

X	Y	Z
R701	330k Ω	1 B
R702	330k Ω	1 B
R703	2.2k Ω	1 B
R704	2.2k Ω	1 B
R705	82k Ω	1 C
R706	82k Ω	1 C
R707	560k Ω	1 B
R708	560k Ω	1 C
R709	560 Ω	1 C
R710	560 Ω	1 C
R711	1k Ω	1 C
R712	1k Ω	1 C
R713	4.7k Ω	1 C
R714	4.7k Ω	1 C
R715	10k Ω	1 C
R716	10k Ω	1 C
R717	10k Ω	2 B
R718	10k Ω	1 B
R719	2.7k Ω	2 B
R720	2.7k Ω	1 C
R721	22k Ω	2 B
R722	22k Ω } $\pm 10\%$ $\frac{1}{4}W$ Carbon Resistor	1 C
R723	5.6k Ω	2 B
R724	5.6k Ω	2 A
R725	10k Ω	1 B
R726	10k Ω	2 C
R727	10k Ω	1 B
R728	10k Ω	2 B
R729	10k Ω	1 B
R730	10k Ω	1 A
R731	2.2k Ω	2 B
R732	2.2k Ω	2 A
R733	100k Ω	1 B
R734	100k Ω	1 A
R735	270k Ω	1 A
R736	270k Ω	1 A
R737	3.3k Ω	1 A
R738	3.3k Ω	1 A
R739	5.6k Ω	1 A
R740	5.6k Ω	1 A
R741	82k Ω	1 B
R742	82k Ω	2 A
VR705,706	100k Ω (B) $\times 2$ Treble Control (101052)	2 A, 2 B
VR707,708	100k Ω (B) $\times 2$ Midrange Control (101052)	2 B, 2 B
VR709,710	100k Ω (B) $\times 2$ Bass Control (101052)	2 C, 2 C
C701	0.22 μ F } $\pm 10\%$ 50 WV Mylar Capacitor	1 B
C702	0.22 μ F }	1 C
C703	10pF } $\pm 10\%$ 25 WV Ceramic	1 C
C704	10pF } Capacitor	1 C

X	Y	Z
C705	47 μ F 6.3 WV	1 C
C706	47 μ F 6.3 WV	1 C
C707	10 μ F RN 25 WV	1 B, 1 C
C708	10 μ F RN 25 WV	1 C
C709	0.033 μ F } $\pm 10\%$ 50 WV Mylar Capacitor	1 C
C710	0.033 μ F }	2 C
C711	0.002 μ F }	2 B
C712	0.002 μ F }	2 A
C713	0.008 μ F } $\pm 10\%$ 50 WV Mylar Capacitor	2 B
C714	0.008 μ F }	2 B
C715	0.033 μ F }	1, 2
C716	0.033 μ F }	2 C
C717	1 μ F RN 50 WV	1 B
C718	1 μ F RN 50 WV	1 A
C721	47 μ F 10 WV	1 A
C722	47 μ F 10 WV	1 A
C723	10 μ F RN 25 WV	1 B
C724	10 μ F RN 25 WV	1 A
C725	0.047 μ F } $\pm 10\%$ 50 WV Mylar Capacitor	1 C
C726	0.047 μ F }	1 C
TR701	2SC871R(E,F) } (030547-4,-5)	1 C
TR702	2SC871R(E,F) }	1 C
TR703	2SC871R(E,F) } (030547-4,-5)	1 A
TR704	2SC871R(E,F) }	1 A
L701	0.8H } Choke Coil (401003)	2 B
L702	0.8H }	2 A



PRINTED CIRCUIT BOARDS AND PARTS LIST

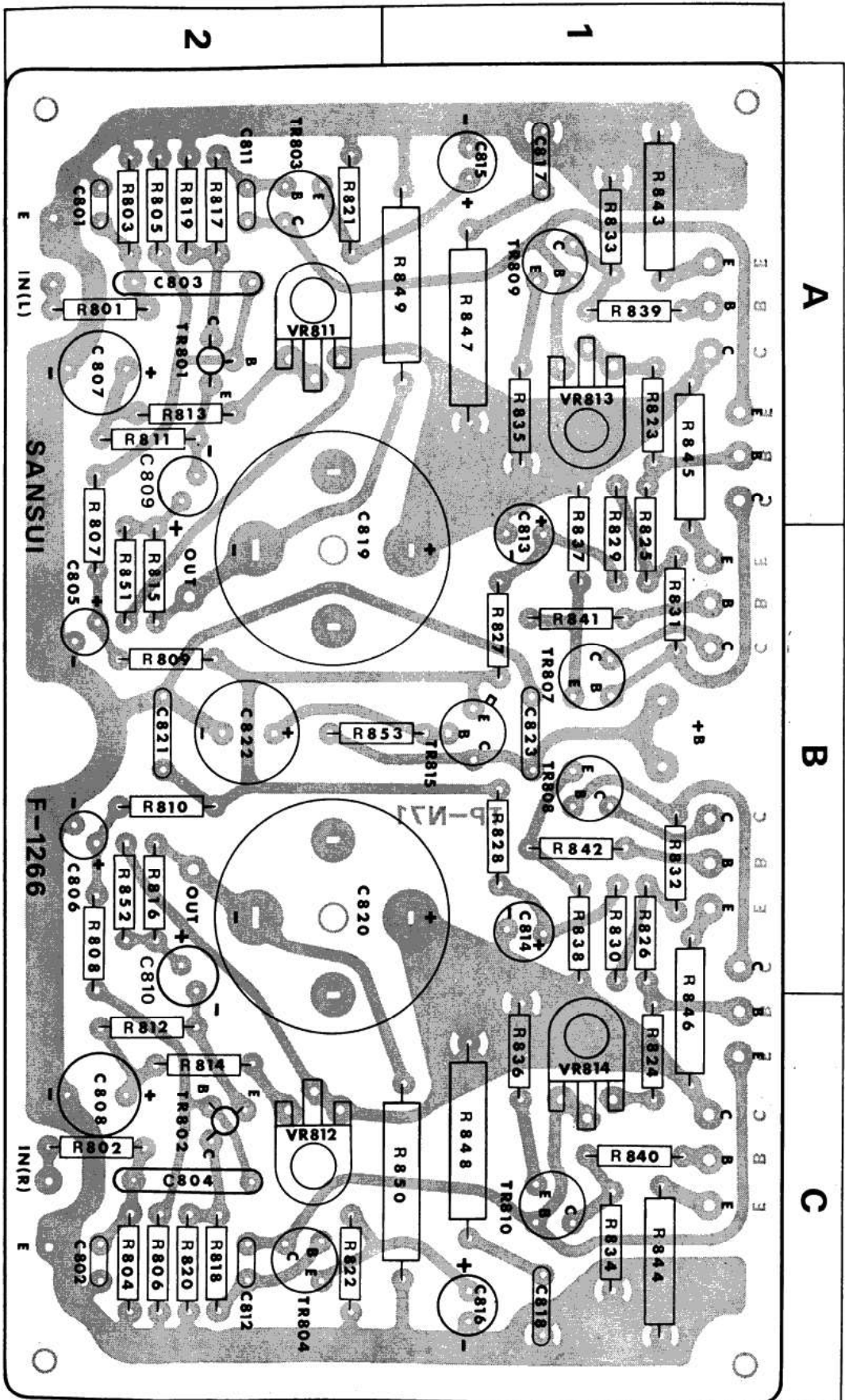
X: Parts No. Y: Parts Name Z: Position of Parts

MAIN AMP <F-1266>

X	Y	Z
R801	10k Ω	2 A
R802	10k Ω	2 C
R803	470k Ω	2 A
R804	470k Ω	2 C
R805	150k Ω	2 A
R806	150k Ω	2 C
R807	560k Ω	2 A, B
R808	560k Ω	2 B
R809	560k Ω	2 B
R810	560k Ω	2 B
R811	150 Ω	2 A
R812	150 Ω	2 C
R813	4.7k Ω	2 A
R814	4.7k Ω	2 C
R815	5.6k Ω	2 B
R816	5.6k Ω	2 B
R817	1k Ω	2 A
R818	1k Ω	2 C
R819	1k Ω	2 A
R820	1k Ω	2 C
R821	220 Ω	2 A
R822	220 Ω	2 C
R823	1k Ω	1 A
R824	1k Ω	1 C
R825	3.3k Ω	1 A, B
R826	3.3k Ω	1 B
R827	1k Ω	1 B
R828	1k Ω	1 B
R829	3.9k Ω	1 A, B
R830	3.9k Ω	1 B
R831	39 Ω	1 B
R832	39 Ω	1 B
R833	150 Ω	1 A
R834	150 Ω	1 C
R835	27 Ω	1 C
R836	27 Ω	1 A, B
R837	150 Ω	1 B
R838	150 Ω	1 A
R839	6.8 Ω	1 C
R840	6.8 Ω	1 B
R841	6.8 Ω	1 B
R842	6.8 Ω	1 A
R843	0.5 Ω	1 C
R844	0.5 Ω	1 A
R845	0.5 Ω	1 B, C
R846	0.5 Ω	1 A
R847	6.8 Ω	1 C
R848	6.8 Ω	1 A
R849	150 Ω	1 C
R850	150 Ω	2 B
R851	5.6k Ω	2 B
R852	5.6k Ω	2 B
R853	15k Ω	1, 2 B

$\pm 10\%$ $\frac{1}{4}$ W Carbon Resistor
 $\pm 20\%$ 2W
 $\pm 10\%$ 3W
 $\pm 10\%$ 5W
 $\pm 10\%$ $\frac{1}{4}$ W Carbon Resistor

X	Y	Z
VR811	20k Ω (B)	2 A
VR812	20k Ω (B)	2 C
VR813	1k Ω (B)	1 A
VR814	1k Ω (B)	1 C
C801	47 pF } $\pm 10\%$ 25WV Ceramic	2 A
C802	47 pF } Capacitor	2 C
C803	0.47 μ F } $\pm 10\%$ 50WV Mylar Capacitor	2 A
C804	0.47 μ F } Capacitor	2 C
C805	1 μ F } 50WV	2 B
C806	1 μ F } Capacitor	2 B
C807	470 μ F } 16WV } Electrolytic	2 A
C808	470 μ F } Capacitor	2 C
C809	47 μ F } 25WV	2 A
C810	47 μ F } Capacitor	2 B, C
C811	47 pF } $\pm 10\%$ 25WV Ceramic	2 A
C812	47 pF } Capacitor	2 C
C813	47 μ F } 50WV	1 A, B
C814	47 μ F } Capacitor	1 B
C815	220 μ F } 6.3WV } Electrolytic	1 A
C816	220 μ F } Capacitor	1 C
C817	0.1 μ F } $\pm 10\%$ 50WV Mylar Capacitor	1 A
C818	0.1 μ F } Capacitor	1 C
C819	1500 μ F } 63WV Electrolytic Capa-	1, 2 A B
C820	1500 μ F } citor (020537)	1, 2 B C
C821	0.01 μ F } $\pm 10\%$ 250WV Ceramic	2 B
	Capacitor	
C822	220 μ F } 75WV Electrolytic	2 B
	Capacitor	
C823	0.01 μ F } $\pm 10\%$ 250WV Ceramic	1 B
	Capacitor	
TR801	XA495G (B, C) } (030017-1, -2)	2 A
TR802	XA495G (B, C) } Capacitor	2 C
TR803	8002-1 (A, B, C) } (030555, -1, -2)	2 A
TR804	8002-1 (A, B, C) } Capacitor	2 C
TR905	2SC281 (B) } (030512-1)	1 A
TR806	2SC281 (B) } Capacitor	1 B, C
TR807	8002-1 (A, B, C) } (030555, -1, -2)	1 B
TR808	8002-1 (A, B, C) } Capacitor	1 B
TR809	9002-1 (A, B, C) } (030014, -1, -2)	1 A
TR810	9002-1 (A, B, C) } Capacitor	1 C
TR815	2SC627 (2, 3) } (030558-1, -2)	1 B



A

B

C

2

1

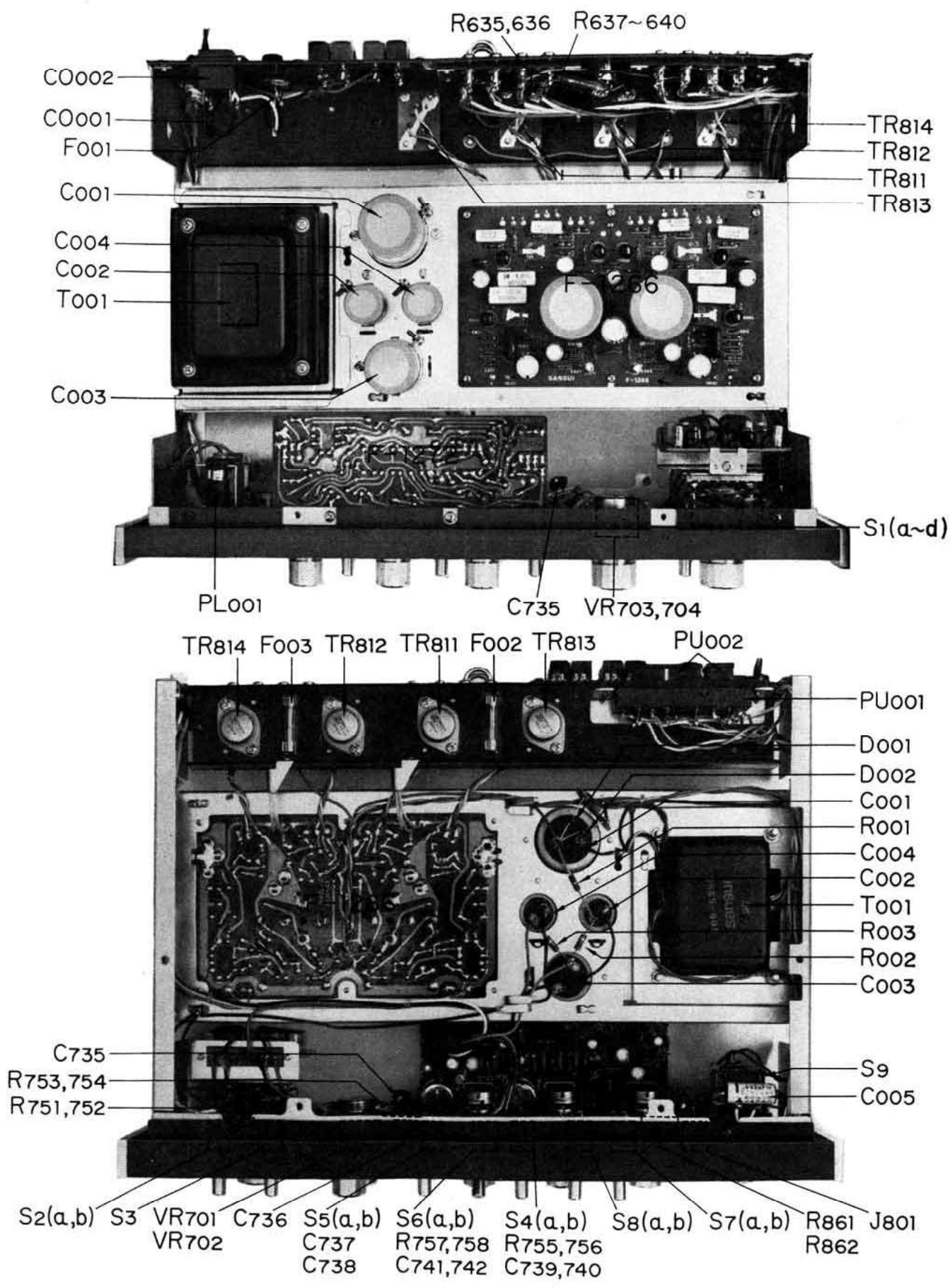
OTHER PARTS AND THEIR POSITION ON CHASSIS

X: Parts No. Y: Parts Name

X	Y
R001	1.2k Ω } $\pm 10\%$ 1/2W Solid Resistor
R002	1k Ω }
R003	1k Ω }
R635	470k Ω }
R636	470k Ω }
R637	180k Ω }
R638	180k Ω }
R639	100k Ω }
R640	100k Ω }
R751	10k Ω } $\pm 10\%$ 1/4W Carbon Resistor
R752	10k Ω }
R753	27k Ω }
R754	27k Ω }
R755	820k Ω }
R756	820k Ω }
R757	820k Ω }
R758	820k Ω }
R861	470 Ω } $\pm 10\%$ 2W Metal Film Resistor
R862	470 Ω }
VR701, 702	250k Ω (BH) (101050-1)
VR703, 704	250k Ω (B)X2 (101009-1,-2)
C001	2200 μ F 63WV } Electrolytic Capacitor (020519-1)
C002	470 μ F 50WV }
C003	1000 μ F 50WV }
C004	470 μ F 50WV } (020539)
C005	0.033 μ F 600WV Oil Capacitor (020525)
C735	150pF } $\pm 10\%$ Mica Capacitor
C736	150pF }
C737	0.02 μ F }
C738	0.02 μ F }
C739	0.01 μ F }
C740	0.01 μ F } $\pm 10\%$ 50WV Mylar Capacitor
C741	0.0033 μ F }
C742	0.0033 μ F }
TR811	2SC1030 (B, C) } (030563-1, -2)
TR812	2SC1030 (B, C) }
TR813	2SC1030 (B, C) }
TR814	2SC1030 (B, C) }
D001	10D-1 } (031034)
D002	10D-1 }
PL001	6.3V 250mA Power Indicator (040009)
T001	Power Transformer 400-5394 (400064)
F001	2A Power Fuse (100~127V) (043003-1)
	1.5A Power Fuse (220~250V) (043012-1)
F002	2A Quick Acting Fuse } (043024)
F003	2A Quick Acting Fuse }

X	Y
J601	5-Pin Connector (DIN) (243004)
J801	Headphones Jack (243007-1)
PU001	Voltage Selector Socket (241017)
PU002	Voltage Selector Plug (241018)
	(241019)
S1	Selector Switch Y-2-4-4 (110217)
S2	Tape Monitor Switch
S3	Mode Switch
S4	Low Filter Switch
S5	Loudness Switch
S6	High Filter Switch
S7	A Speaker Switch
S8	B Speaker Switch
S9	Power Switch (117017)
	(117018)
	(113016)
CO001	AC Consent (245001)
CO002	AC Consent (245001)

*All rights reserve specifications subject to change without notice.





SANSUI ELECTRIC COMPANY LIMITED

Head Office; 14-1, 2-chome, Izumi, Suginami-ku, Tokyo, Japan. TEL. 323-1111

Printed in Japan (31200M6)