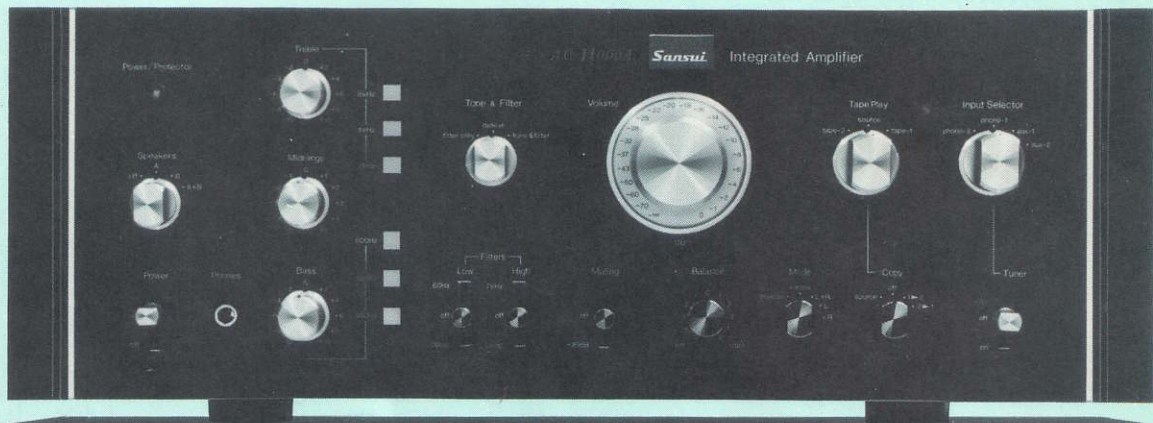


SERVICE MANUAL

INTEGRATED STEREO AMPLIFIER

SANSUI AU-9900A/11000A



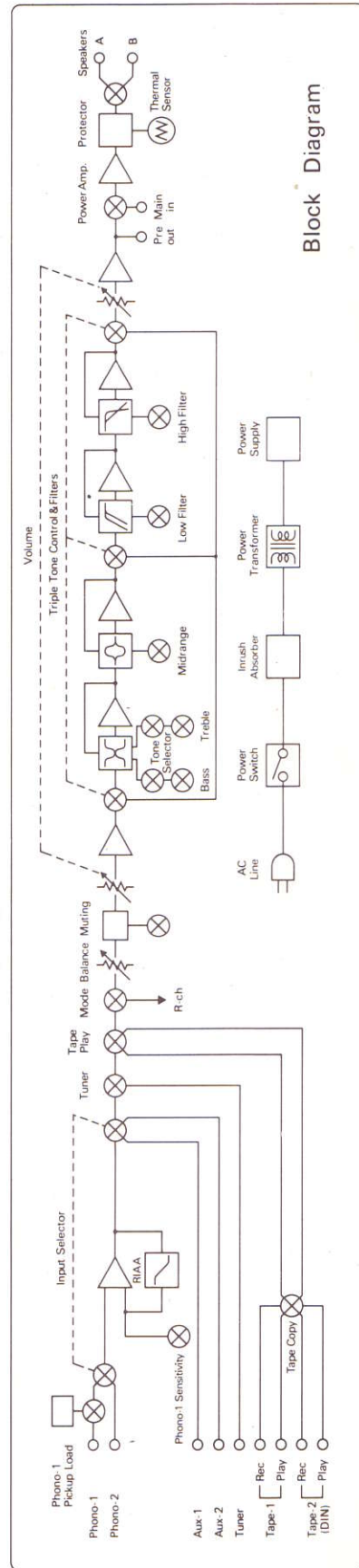
Sansui

SANSUI ELECTRIC CO., LTD.

TABLE OF CONTENTS

Section	Title	Page
1.	BLOCK DIAGRAM	1
2.	SPECIFICATIONS	2
3.	PARTS LOCATION & PARTSLIST	3
3- 1.	F-2569 Input Terminal & Switch Board	3
3- 2.	F-2660 Level Volume Circuit Board	3
3- 3.	F-2691 Equalizer Circuit Board	4
3- 4.	F-2573 Filter Accessory Circuit Board	4
3- 5.	F-2577 Treble Tone Selector Circuit Board	5
3- 6.	F-2578 Bass Tone Selector Circuit Board	5
3- 7.	F-2571 Tape Copy & Tuner Signal Switching	5
3- 8.	F-2572 Tape Play Circuit Board	5
3- 9.	F-2575 Midrange Tone Control	6
3-10.	F-2579 Pre-Main Switch Circuit board	6
3-11.	F-2576 Bass & Treble Tone Control Circuit Board	6
3-12.	F-2581 Final Stage Circuit Board	6
3-13.	F-2661 Driver Circuit Board	7
3-14.	F-2629 Power Supply Circuit Board	7
3-15.	F-2630 Power Supply Circuit Board for Driver Stage	8
4.	OTHER PARTS	9
4- 1.	Top & Bottom View	9
4- 2.	Exploded View	10
5.	ADJUSTMENTS	11
5- 1.	Bias Current Adjnstment	11
6.	SCHEMATIC DIAGRAM	12
6- 1.	AU-9900A/11000A Pre AMP. Section	12
6- 2.	AU-9900A Power AMP. Section	13
6- 3.	AU-11000A Power AMP. Section	14
6- 4.	AU-9900A Power Supply Section	15
6- 5.	AU-11000A Power Supply Section	15
7.	PACKING LIST	back cover
8.	ACCESSORY PARTS LIST	back cover

1. BLOCK DIAGRAM



2. SPECIFICATIONS

POWER OUTPUT

Min. RMS, both channels driven, from 20 to 20,000Hz, with no more than 0.05% total harmonic distortion

AU-9900A	}	80 watts per channel into 8 ohms
		80 watts per channel into 4 ohms
		Min. RMS, both channels driven, at 1,000 Hz with no more than 0.05% total harmonic distortion
		80 watts per channel into 8 ohms
AU-11000A	}	80 watts per channel into 4 ohms
		110 watts per channel into 8 ohms
		110 watts per channel into 4 ohms
		Min RMS, both channels driven at 1,000 Hz, with no more than 0.05% total harmonic distortion
AU-11000A	}	110 watts per channel into 8 ohms
		110 watts per channel into 4 ohms
		110 watts per channel into 4 ohms

LOAD IMPEDANCE 4.8 ohms (SYSTEM-A or B)
8 ohms (SYSTEM A+B)

POWER BANDWIDTH..... 20 to 20,000 Hz at or below rated min. RMS power output and total harmonic distortion

TOTAL HARMONIC DISTORTION less than 0.05% at or below rated min. RMS power output

INTERMODULATION DISTORTION (70Hz:7kHz=4:1 SAMPT method) less than 0.05%

FREQUENCY RESPONSE (at 1 watt) 5 to 80,000 Hz ± 1.5 dB

DAMPING FACTOR..... approximately 70 at 8 ohm load

RIAA CURVE DEVIATION (PHONO) ± 0.2 dB, -0.2 dB (30 Hz to 15 kHz)

INPUT SENSITIVITY AND IMPEDANCE (1 kHz, for rated power output)

PHONO-1 2, 4, 8 mV/30, 50, 100 kilohms (Max. input capability: 1,000 mV at 1 kHz, less than 0.1% total harmonic distortion and PHONO-1 SENSITIVITY switch at 8 mV)

PHONO-2 2 mV/50 kilohms (Max. input capability: 250 mV at 1 kHz, less than 0.1% total harmonic distortion)

AUX-1, 2 TAPE 150 mV/50 kilohms

OUTPUT LEVEL (1,000 Hz)

TAPE-1, 2 REC (pin jacks) 150 mV/560 ohms
TAPE-2 REC/PLAY (DIN socket)..... 30 mV/70 kilohms
PRE OUT 1 V/560 ohms

CHANNEL SEPARATION (1 kHz, at rated power output)

PHONO-1, 2 better than 60dB
AUX-1, 2 better than 60dB

HUM AND NOISE (short-circuit, A-network)

PHONO-1 75dB (PHONO-1 SENSITIVITY Switch at 4 mV)
AUX-1, 2 better than 90 dB

CONTROLS

BASS.....	± 10 dB (30 Hz)
Tone selector (turnover frequency)	150, 300, 600 Hz
MIDRANGE	± 5 dB (1 kHz)
TREBLE.....	± 10 dB (20 kHz)
Tone selector (turnover frequency)	2, 4, 8 kHz
LOW FILTER	-3dB (20, 60 Hz), 12dB/oct.
HIGH FILTER	-3dB (7 kHz), 6dB/oct. -3dB (12 kHz), 12dB/oct.

MUTING..... -20dB

POWER REQUIREMENTS

POWER VOLTAGE	100, 120, 220, 240V (50/60Hz)
	120V (Usable 110-130V)
	60Hz (for U.S.A. & Canada only)

POWER CONSUMPTION

Maximum consumption	
AU-9900A	665 watts
AU-11000A	915 watts

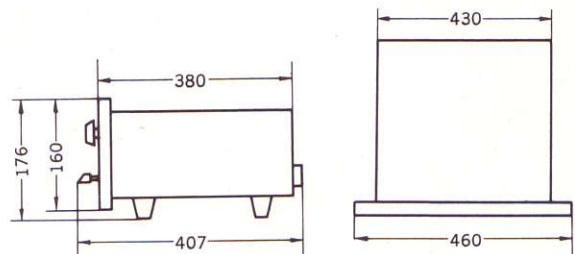
Rated consumption

AU-9900A	340 watts 435 VA
AU-11000A	480 watts 605 VA

DIMENSIONS..... 460 mm (18 1/8") W
176 mm (6 15/16") H
407 mm (16 1/16") D

WEIGHT

AU-9900A	} 17.6 kg (38.8 lbs) net
	 19.7 kg (43.4 lbs) packed
AU-11000A	} 19.2 kg (42.3 lbs) net
	 21.3 kg (47.0 lbs) packed



* Design and specifications subject to change without notice for improvements.
* In order to simplify the explanation illustrations may sometimes differ from the originals.

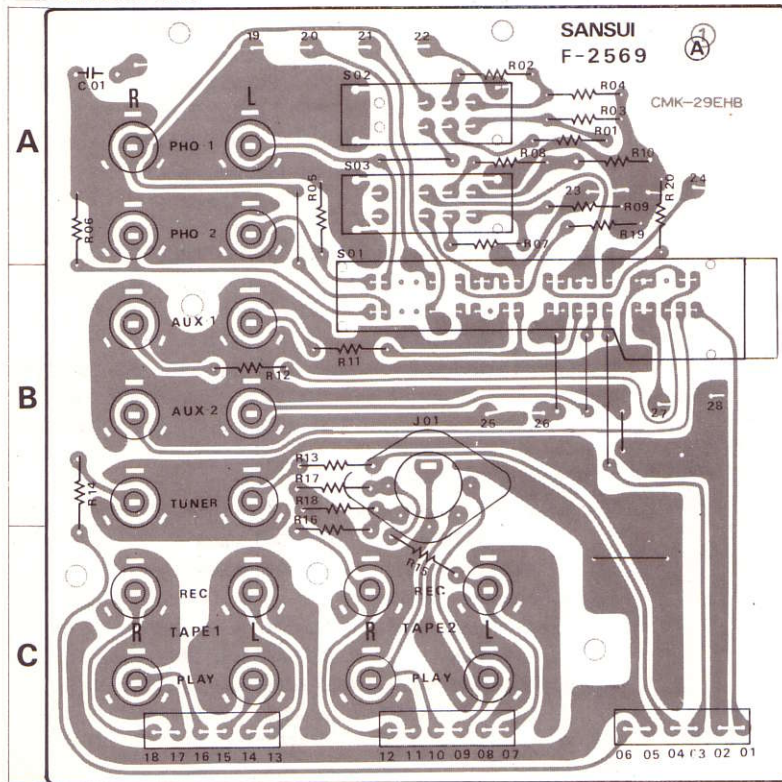
3. PARTS LOCATION & PARTS LIST

3-1. F-2569 Input Terminal & Switch Circuit Board

AU-9900A (Stock No. 7594631) AU-11000A (Stock No. 7594731)

Since some of capacitors and resistors are omitted from parts lists in this Service Manual, refer to the common parts list for capacitors & resistors which was appended previously to each Sansui Manual.

Conductor Side



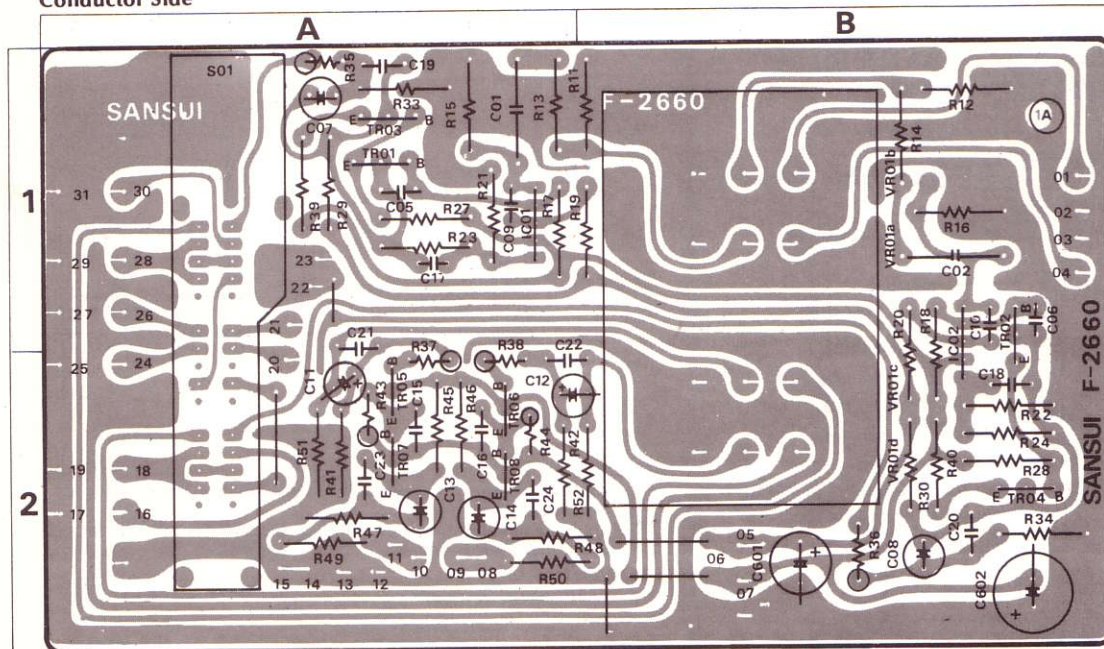
Parts List

Parts No.	Stock No.	Description	Position
R07,08	0231202	2.0kΩ 1/2W M.R.	A
S01	1190260	Input Selector Switch	A, B
S02	1110310	Pick-up Load Switch	A
S03	1110310	Sensitivity Switch	A
J01	2090030	5P DIN Socket	B
	2410780	6P Pin Ass'y (Type C)	
	2430260	1P Jack (White)	
	2430270	1P Jack (Red)	

3-2. F-2660 Level Volume Circuit Board

AU-9900A (Stock No. 7594661)
AU-11000A (Stock No. 7594761)

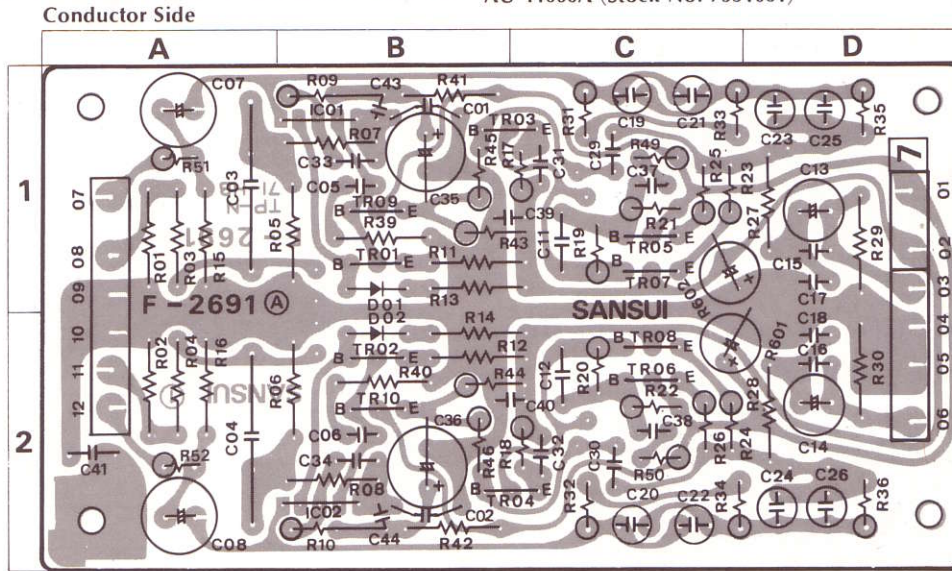
Conductor Side



Parts List

Parts No.	Stock No.	Description	Position	Parts No.	Stock No.	Description	Position	Parts No.	Stock No.	Description	Position
TR01,02	0306270,1	25C1708 (F, G1)	1 A, 1, 2B 1 A, 2 B 2 A	TR07,08	0306360,1	25C1951 (1, 21)	Transistor 2 A 1 A, 1, 2B 1 A, 1 B	VR01	1090220	100kΩ × 4 Detent Volume	1, 2 A
TR03,04	0306360,1	25C1951 (1, 21)		IC01,02	0360370,1	25A798 (F, G1)		S01	1190290	Tone & Filter Switch	
TR05,06	0300470,1	25A726 (F, G1)		C01,02	0602109	1μF 100V M.C.					

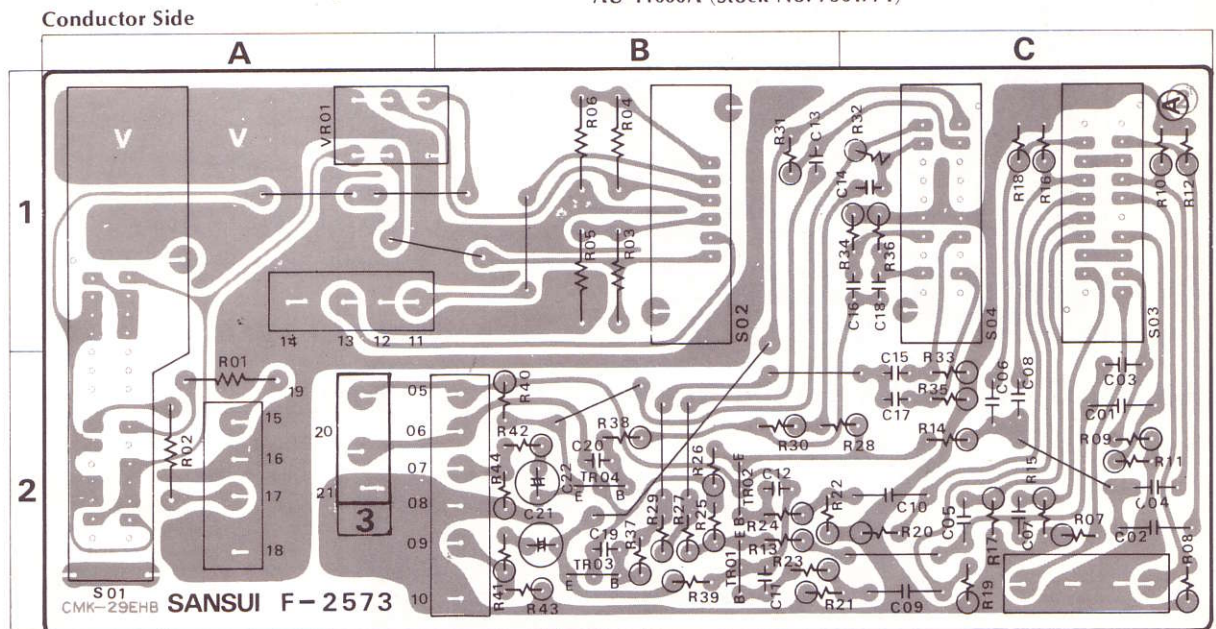
3-3. F-2691 Equalizer Circuit Board AU-9900A (Stock No. 7551041)
AU-11000A (Stock No. 7551061)



Parts List

Parts No.	Stock No.	Description	Position	Parts No.	Stock No.	Description	Position	Parts No.	Stock No.	Description	Position
TR01, 02	0306070, 1	25C1313 (F, G)	} Transistor	C03, 04	0602229	2.2 μ F 100WV M.C.	1 D, 2 D	R33, 34	0231564	560 Ω	} $\frac{1}{4}$ W M.R.
TR03, 04	0306270, 1	25C1708 (F, G)		C19, 20	0625562	5600pF	1 B, 2 B	R35, 36	0231473	47k Ω	
TR05, 06	0306270, 1	25C1708 (F, G)		C21, 22	0620101	100pF	1 B, 2 B	R51, 52	0231102	1k Ω	
TR07, 08	0300710, 1	25A847 (F, G)		C23, 24	0625122	1200pF	1 B, 2 B		2410590	4P Pin Ass'y (Type D)	
TR09, 10	0306270, 1	25C1708 (F, G)		C25, 26	0620391	390pF	50V P.C.	1 A, 2 A	2410600	6P Pin Ass'y (Type D)	
IC01, 02	0360370, 1	25A798 (F, G)	Transistor	R15, 16	0231332	3.3k Ω	} $\frac{1}{4}$ W M.R.	2410910	2P Pin Ass'y (Type E)		
D01, 02	{ 0311160 0311180 }	{ 152473D 151588 }	Diode	R31, 32	0231223	22k Ω					

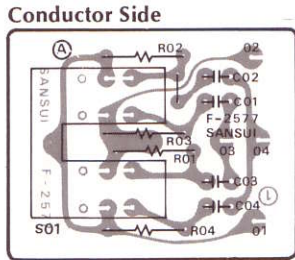
3-4. F-2573 Filter Accessory Circuit Board AU-9900A (Stock No. 7561671)
AU-11000A (Stock No. 7561771)



Parts List

Parts No.	Stock No.	Description	Position	Parts No.	Stock No.	Description	Position	Parts No.	Stock No.	Description	Position
TR01, 02	0306270, 1	25C1708 (F, G)	} Transistor	VR01	1015170, 1	250k Ω (M, N) Balance Volume	1 A	S03	1170950	Low Filter Switch	1 C
TR03, 04	0300760, 1	25A917 (1, 2)		S01	1190250	Mode Switch	1, 2 A	S04	1170950	High Filter Switch	1 C
C15, 16	0620821	820pF 50V P.C.	2 C, 1 C	S02	1170770	Muting Switch		2410590	4P Pin Ass'y (Type D)		
								2410920	3P Pin Ass'y (Type E)		

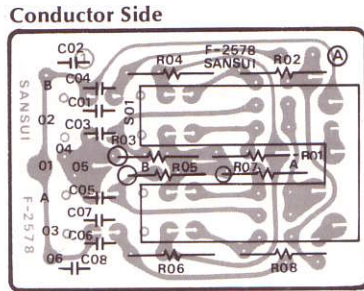
3-5. F-2577 Treble Tone Selector Circuit Board AU-9900A (Stock No. 7561651)
AU-11000A (Stock No. 7561751)



Parts List

Parts No.	Stock No.	Description
C01, 02	0620331	330 pF } 50V P.C.
C03, 04	0620911	910 pF }
S01	1131150	Treble Tone Push Switch

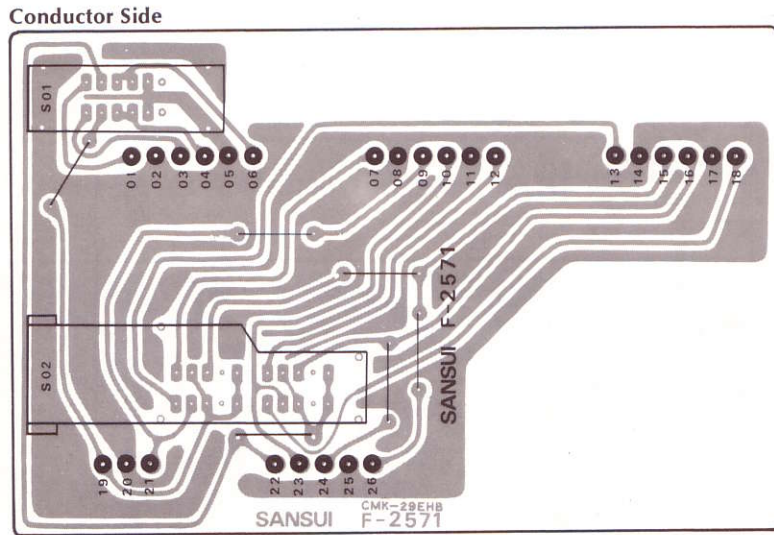
3-6. F-2578 Bass Tone Selector Circuit Board AU-9900A (Stock No. 7561661)
AU-11000A (Stock No. 7561761)



Parts List

Parts No.	Stock No.	Description
S01	1131140	Bass Tone Push Switch

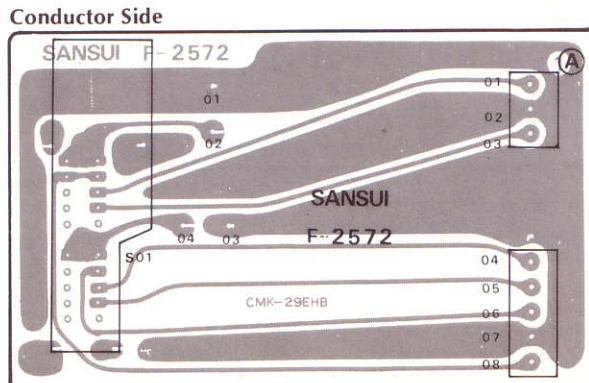
3-7. F-2571 Tape Copy & Tuner Signal Switching Circuit Board
AU-9900A (Stock No. 7594641) AU-11000A (Stock No. 7594741)



Parts List

Parts No.	Stock No.	Description
S01	1170870	Lever Switch, tuner
S02	1190280	Tape Copy Switch

3-8. F-2572 Tape Play Circuit Board AU-9900A (Stock No. 7594651)
AU-11000A (Stock No. 7594751)

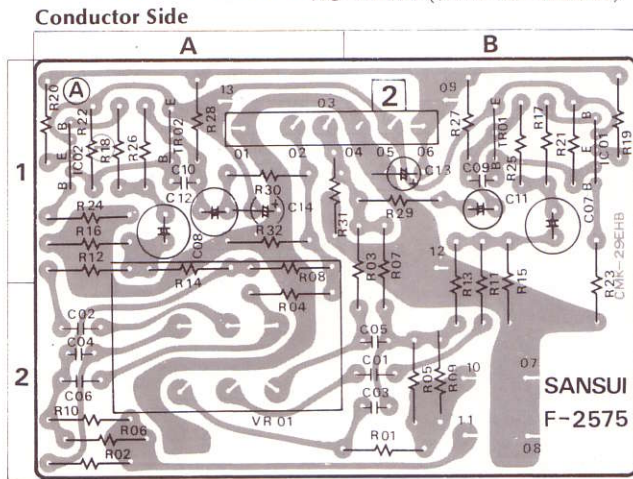


Parts List

Parts No.	Stock No.	Description
S01	1190270	Tape Play switch
	2410760	3P Pin Ass'y (Type C)
	2410780	6P Pin Ass'y (Type C)

3-9. F-2575 Midrange Tone Control Circuit Board

AU-9900A (Stock No. 7561631)
AU-11000A (Stock No. 7561731)

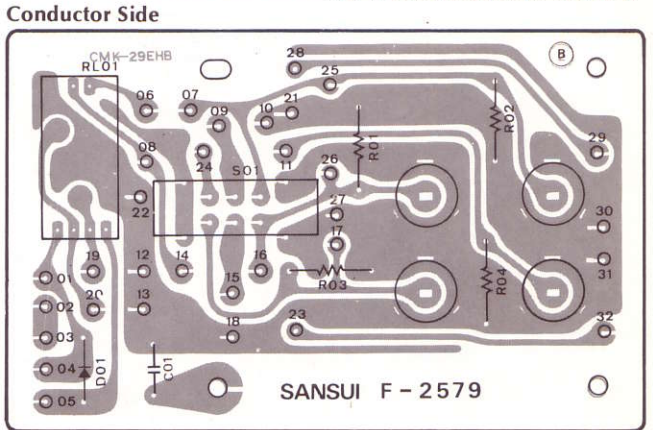


Parts List

Parts No.	Stock No.	Description	Position
TR01, 02	0306270, 1	2SC1708 (F, G) Transistor	2 A, 2 B
IC01, 02	0360290, 1	2SA798 (F, G) IC	2 A, 2 B
VR01	1090150, 1	50kΩ (B) × 2 Midrange Volume	1 B
	2410700	6P Pin Ass'y (Type F)	

3-10. F-2579 Pre-Main Switch Circuit Board

AU-9900A (Stock No. 7594671)
AU-11000A (Stock No. 7594771)

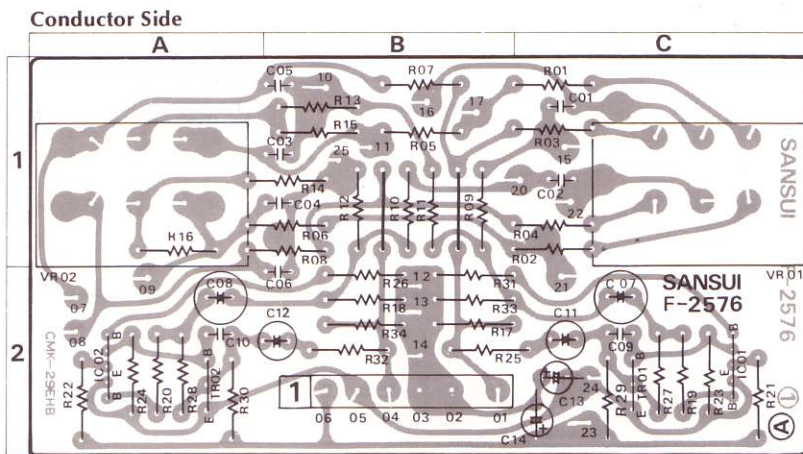


Parts List

Parts No.	Stock No.	Description
RL01	1150320	Relay Switch
	2430260	Female Pin Jack (White)
	2430270	Female Pin Jack (Red)
S01	1110320	PRE Main Switch

3-11. F-2576 Bass & Treble Tone Control Circuit Board

AU-9900A (Stock No. 7561641)
AU-11000A (Stock No. 7561741)

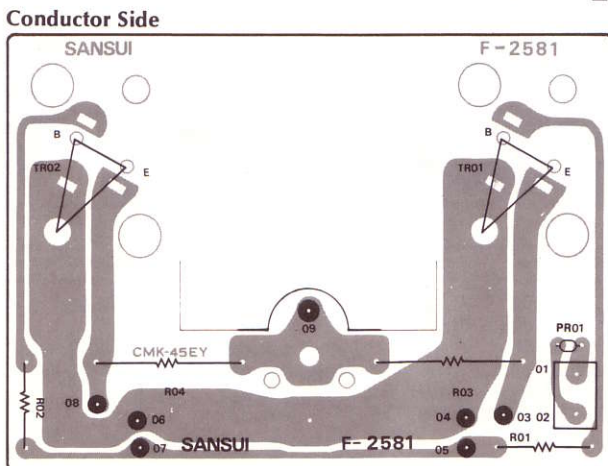


Parts List

Parts No.	Stock No.	Description	Position
TR01, 02	0306270, 1	2SC1708 (F, G) Transistor	2 C, 2 A
IC01, 02	0360290, 1	2SA798 (F, G) IC	2 C, 2 A
C01, 02	0620301	300pF 50V P.C.	1 C
VR01	1090150, 1	50kΩ (B) × 2 Treble Volume	1 C
VR02	1090150, 1	50kΩ (B) × 2 Bass Volume	1 A
	2410680	4P Pin Ass'y (Type F)	

3-12. F-2581 Final Stage Circuit Board

+ Side (AU-9900A (Stock No. 7571531)
AU-11000A (Stock No. 7571571))
- Side (AU-9900A (Stock No. 7571581)
AU-11000A (Stock No. 7571601))



Parts List (+Side)

Parts No.	Stock No.	Description
TR01	0306451, 2	2SC1403A (O, Y) Transistor
TR02	0306451, 2	2SC1403A (O, Y) Transistor
R01, 02	0192829	8.2Ω 1/2W F.R.
R03, 04	0135338	0.33Ω 5W Ce.R.
	2030040	Transistor Socket
	2030040	Transistor Socket

Parts List (-Side)

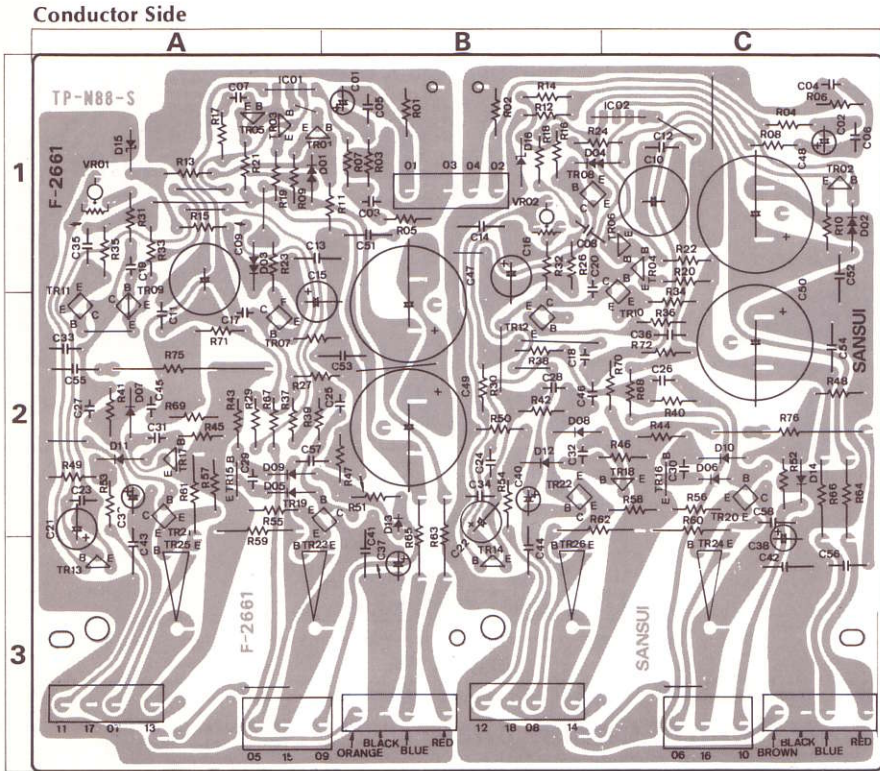
Parts No.	Stock No.	Description
TR01	0300831, 2	2SA745A (O, Y) Transistor
TR02	0300831, 2	2SA745A (O, Y) Transistor
PR01	0320130	Thermistor
R01, 02	0192829	8.2Ω 1/2W F.R.
R03, 04	0135338	0.33Ω 5W Ce.R.
	2030040	Transistor Socket
	2030040	Transistor Socket
	2410910	2P Pin Ass'y Type E

3-13. F-2661 Driver Circuit Board

AU-9900A (Stock No. 7571521) AU-11000A (Stock No. 7571561)

Parts List

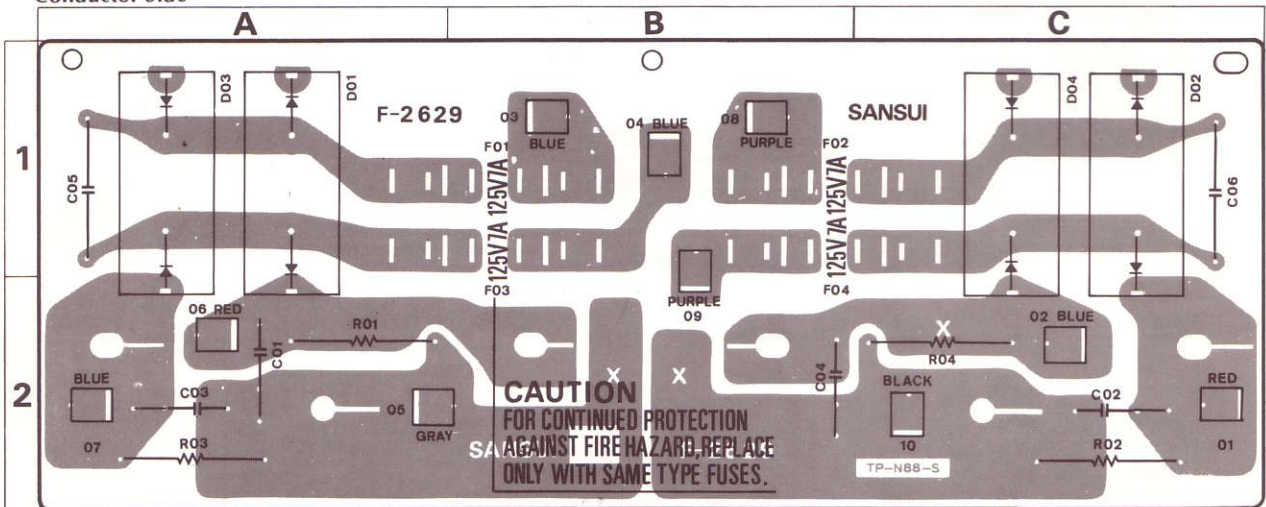
Parts No.	Stock No.	Description	Position
TR01,02	0300760,1	2SA917 (1,2)	1 A.1C
TR03,04	0306290,1	2SC1400 (1) U, E	1 A.1C
TR05,06	0306290,1	2SC1400 (1) U, E	1 A.1C
TR07,08	{0300700,1 0300770,1}	2SA818 O, Y 2SA896-1 (1,2)	2 A.1B
TR09,10	{0306260,1 0306350,1}	2SC1628 O, Y 2SC1811-1 (1,2)	2 A.1,2C
TR11,12	{0306260,1 0306350,1}	2SC1628 O, Y 2SC1811-1 (1,2)	2 A.2B
TR13,14	0306401,2	2SC1904 B, V	3 A.3B
TR15,16	0305640,1	2SC735 O, Y	2 A.2C
TR17,18	0300220,1	2SA562 O, Y	2 A.2C
TR19,20	{0306260,1 0306350,1}	2SC1628 O, Y 2SC1811-1 (1,2)	2 A.2C
TR21,22	{0300700,1 0300770,1}	2SA818 O, Y 2SA896-1 (1,2)	2 A.2B
TR23,24	0308441,2	2SD382 (M, L)	3 A.3C
TR25,26	0303271,2	2SB537 (M, L)	3 A.3B
IC01,02	0360370,1	2SA798 (F, G) IC	1 A.1C
D01,02	0340120	VD1212	1 A.1C
D03,04	0340120	VD1212	1 A.1B, C
D05,06	{0311160 0311180}	1S2473D 1S1588	2 A.2C
D07,08	{0311160 0311180}	1S2473D 1S1588	2 A.2B
D09,10	{0311160 0311180}	1S2473D 1S1588	2 A.2C
D11,12	{0311160 0311180}	1S2473D 1S1588	2 A.2B
C13,14	0602108	0.1 μ F 100WV M.C.	1 A.1B
C41,42	0602108	0.1 μ F 100V M.C.	3B,3C
C43,44	0602108	0.1 μ F 100V M.C.	3A,3B
C45,46	0669002	3.9 μ F 50V C.C.	2 A.2B
C47,48	0549301	470 μ F 80V E.C.	1,2B,2C
C49,50	0549301	470 μ F 80V E.C.	2B,2C
C51,52	0602108	0.1 μ F 100WV M.C.	1B,1C
C53,54	0602108	0.1 μ F 100WV M.C.	2B,2C
R51,52	0191471	470 Ω	2B,2C
R53,54	0191471	470 Ω	2A,2B
R59,60	0192680	68 Ω	2 A.2C
R61,62	0192680	68 Ω	2 A.2B,C
R63,64	0192680	68 Ω	2,3B,2C
R65,66	0192680	68 Ω	2,3B,2C
R75,76	0203100	10 Ω 3W N.I.R.	2 A.2C
VR01,02	1035050	470 Ω B	1 A.1B
	2410590	4P Pin Ass'y TYPE D	
	2410680	4P Pin Ass'y TYPE F	
	2410920	3P Pin Ass'y TYPE E	



3-14. F-2629 Power Supply Circuit Board

AU-9900A (Stock No. 7502121) AU-11000A (Stock No. 7502161)

Conductor Side

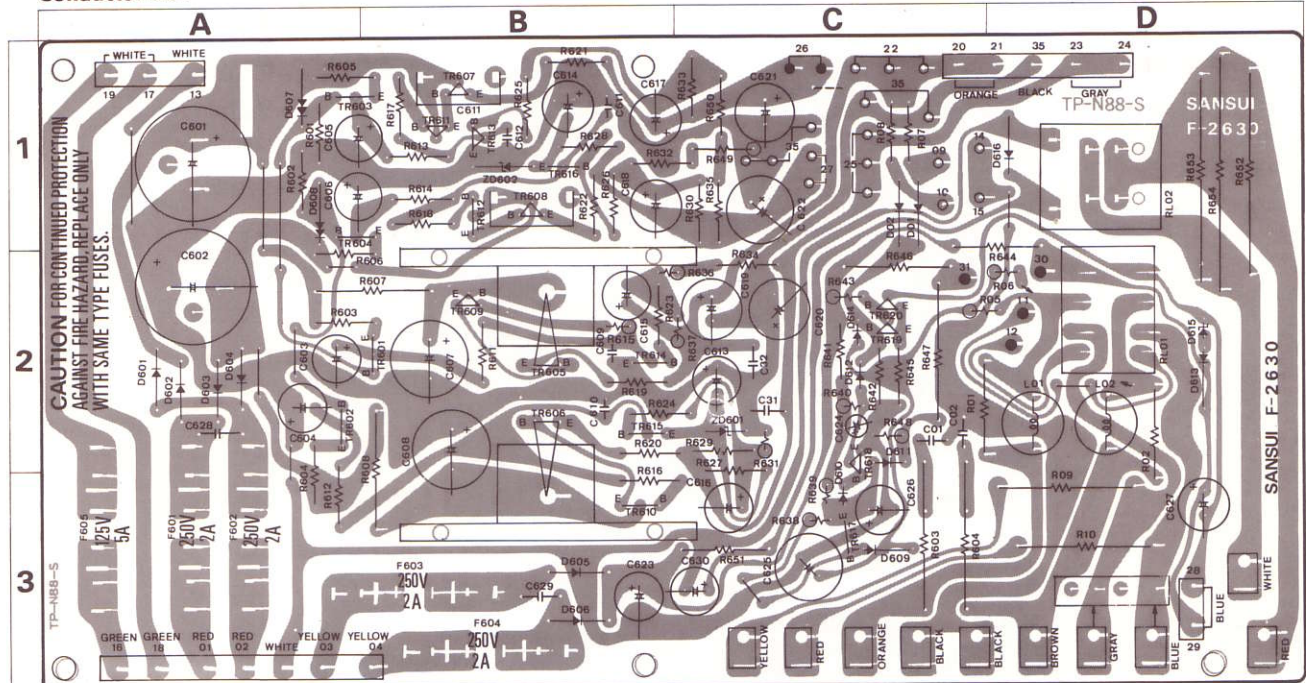


Parts List

Parts No.	Stock No.	Description	Position	Parts No.	Stock No.	Description	Position	Parts No.	Stock No.	Description	Position
D01	{0311310 0311540}	SS-5 SS151	1 A	D04	{0311320 0311550}	SS-5R SS151R	1 C	R01,02	0202332	3.3k Ω	1 A.1C
D02	{0311310 0311540}	SS-5 SS151	1 C					R03,04	0202332	3.3k Ω	1 A.1C
D03	{0311320 0311550}	SS-5R SS151R	1 A	C01,02	0602109	0.1 μ F 100WV M.C.	2 A.2C	F01-04	0432500	AC Fuse 7A 125V	1.2B
				C03,04	0602109	0.1 μ F 100WV M.C.	2 A.2 B				
				C05,06	0605477	0.047 μ F 250V M.C.	1 A.1C				

3-15. F-2630 Power Supply Circuit Board for Driver Stage

AU-9900A (Stock No. 7502111)
 AU-11000A (Stock No. 7502151)

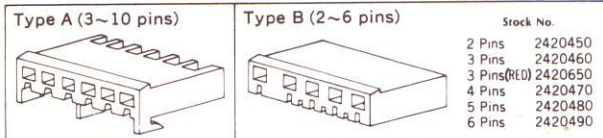


Parts List

Parts No.	Stock No.	Description	Position	Parts No.	Stock No.	Description	Position	Parts No.	Stock No.	Description	Position
TR601	0300721.2	2SA850 (D, E)	1 A, B	D603	0310350	10D2	2 A	R01.02	0104479	4.7Ω 1W C.R.	2 C, 2 D
TR602	0306281.2	2SC1735 (D, E)		D604	0310350	10D2	2 A	R03.04	0203100	10Ω 3W N.I.R.	3 C
TR603	0300720.1	2SA850 (C, D)		D605	0310340	10D1	3 B	R09.10	0135221	220Ω 5W Ce.R.	
TR604	0306280.1	2SC1735 (C, D)		D606	0310340	10D1	3 B	R603-606	0191471	470Ω 1/4W F.R.	1 A, 2 A
TR605	0308441.2	2SD382 (L, M)		D607	0340120	VD1212	1 A	R607, 608	0202151	150Ω 2W N.I.R.	
TR606	0303271.2	2SB537 (L, M)		D608	0340120	VD1212	1 A	R619-622	0191100	10Ω 1/4W F.R.	1 B
TR607	0308450.1	2SD356 (C, D)	D609	0310490	SV-02	3 C	R644	0211471	470Ω 1W N.I.R.	2 C, D	
	0308611.2	2SD357 (D, E)	D610	0311160	1S2473D	3 C	R646	0202151	150Ω 2W N.I.R.	2 C	
	0303441.2	2SB527 (D, E)	D611	0311160	1S2473D	2 C	R647	0183471	470Ω 1/2W Ce.R.	2 C	
TR608	0303280.1	2SB526 (C, D)	D612	0311160	1S1588	2 C	R651	0211391	390Ω 1W N.I.R.	3 C	
TR609	0306281.2	2SC1735 (D, E)	D617-619	0310340	10D1	1 D	R652, 653	0137829	8.2Ω 7W Ce.R.	1 D	
TR610	0300470.1	2SA726 (F, G)	D612	0311160	1S2473D	2 C	L01.02	4210290	Filter Coil 1.5r/H	2 D	
TR611	0306280.1	2SC1735 (C, D)	D613	0310340	10D1	2 D	RL01	1150370	Relay	2 D	
TR612	0300720.1	2SA850 (C, D)	D614	0311160	1S2473D	2 C	RL02	1150360	Relay	1 D	
TR613	0306290.1	2SC1400 (E, U)					F601, 604	0432240	2A 250V A.C. Fuse	3 A, B	
TR614	0306290.1	2SC1400 (E, U)					AU-9900A Only				
TR615	0300470.1	2SA726 (F, G)					R613, 614	0107822	8.2kΩ	1/4W C.R.	
TR616	0300470.1	2SA726 (F, G)					R617, 618	0107221	220Ω		
TR617	0300511.2	2SA733 (Q, R)					R630	0107393	39kΩ		
TR618	0306131.2	2SC1364 (6, 7)					AU-11000A Only				
TR619	0306131.2	2SC1364 (6, 7)					R613, 614	0210822	8.2kΩ	1/4W M.R.	
TR620	0306131.2	2SC1364 (6, 7)					R617, 618	0210221	220Ω		
							R630	0107123	12kΩ		
D61.02	0311160	1S2473D	1 C	C601	0549301	470μF 80V E.C.	1 A				
D601	0310350	10D2	2 A	C602	0549301	470μF 80V E.C.	1, 2 A				
D602	0310350	10D2	2 A	C611, 612	0655472	4700pF 500V C.C.	2 A				
				C628	0655103	10000pF 500V C.C.	2 A				
				C629	0655472	4700pF	3 B				

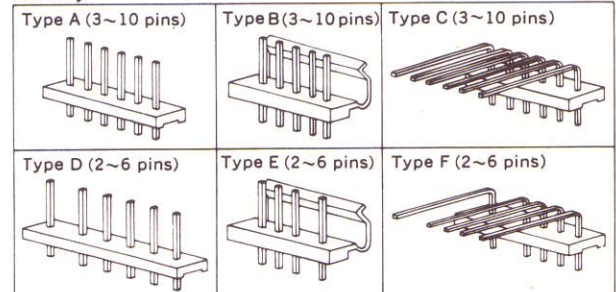
● Figures Connectors & Pin Ass'y

Connectors



NOTE: Since stock number of female connectors (type B) with wires are not shown in each parts list of Complete circuit board, please refer to the above parts list when ordering the connector.

Pin Ass'y

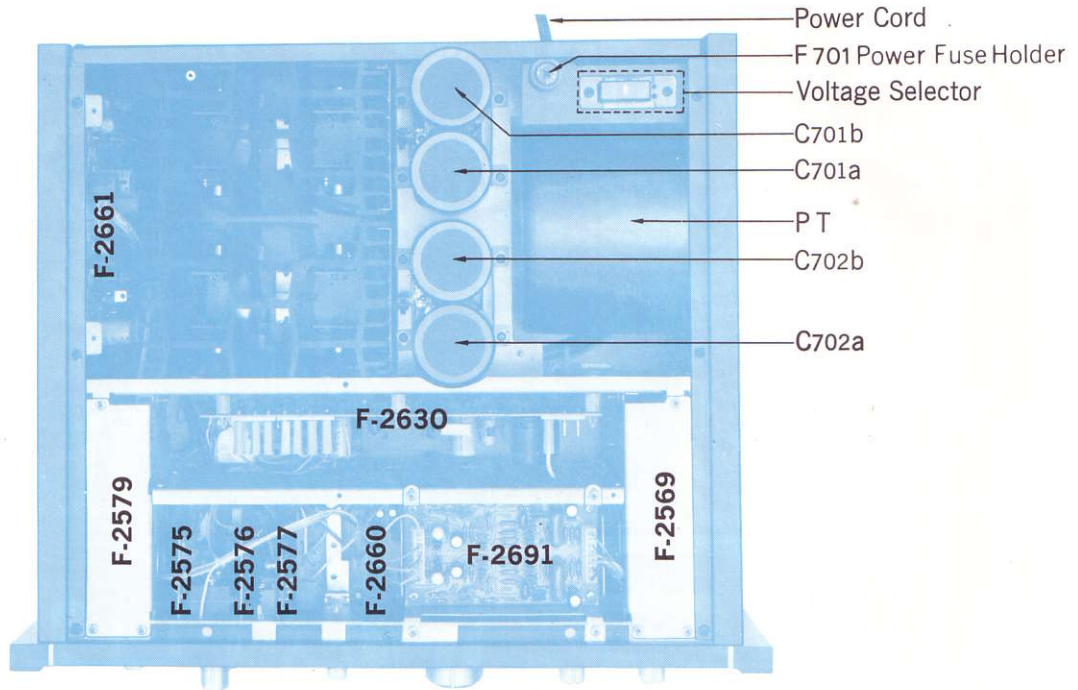


Abbreviations

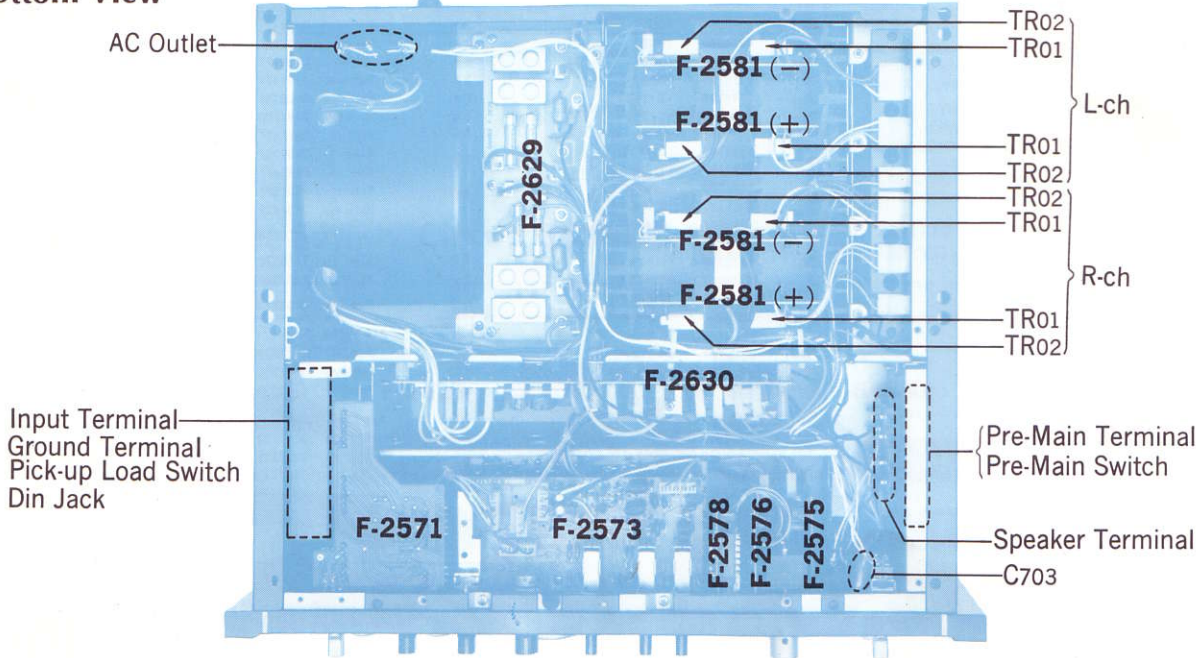
C.R. : Carbon Resistor	N.I.R. : Non-Inflammable Resistor	C.C. : Ceramic Capacitor
S.R. : Solid Resistor	M.C. : Mylar Capacitor	M.I.C. : Mica Capacitor
Ce.R. : Cement Resistor	E.C. : Electrolytic Capacitor	O.C. : Oil Capacitor
M.R. : Metallized Film Resistor	BP.E.C. : Bi-Polar Electrolytic Capacitor	P.C. : Polystyrene Capacitor
F.R. : Fusing Resistor		T.C. : Tantalum Capacitor

4. OTHER PARTS/4-1. Top & Bottom View

Top View



Bottom View

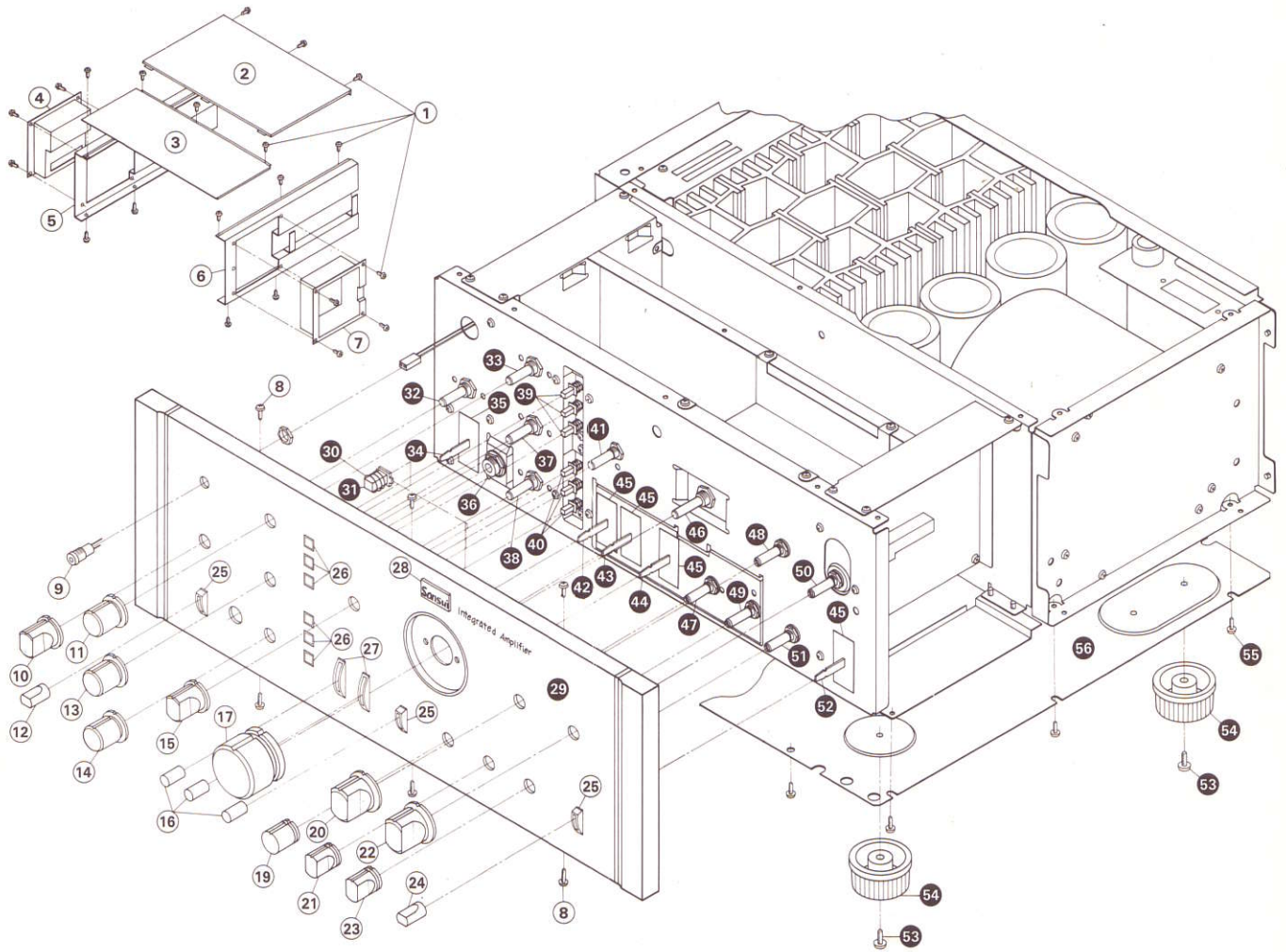


Parts List

Parts No.	Stock No.	Description
F-2581 (+ Side)		
TR01.02	0306451.2	2SC1403A
F-2581 (- Side)		
TR01.02	0300831.2	2SA745A
		} Power Transistor
C701.702	0559513	6800 μ F \times 2 63WV E.C. (AU-9900A)
C701.702	0559514	10000 μ F \times 2 63WV E.C. (AU-11000A)
C703	0659801	0.01 μ F 150V C.C.
F701	0432290	5A (220V/240V)
	0434060	10A (100V/120V)
	2300060	Power Fuse Holder
	3300240	Power Cord
	2290150	Ground Terminal
	2090030	Din Jack

Parts No.	Stock No.	Description
	1110310	Pik-UP Load Switch
	1110310	Sensitivity Switch
	1110320	Pre-Main Switch
	2430260	Pre-Main Terminal (white)
	2430270	Pre-Main Terminal (red)
	2290160	Speaker Terminal
	2450060	AC Outlet
	2430260	Input Terminal (white)
	2430270	Input Terminal (red)
	2410091	Voltage Selector Plug
	2410830	Voltage Selector Socket
	4002560	Power Transformer (AU-9900A)
	4002570	Power Transformer (AU-11000A)

4-2. Exploded View



Parts List

Parts No.	Stock No.	Description	Parts No.	Stock No.	Description
2	5006660	Bonnet (A)	30	6906480	Spring, Push Knob
3	5006521	Bonnet (B)	31	5326531	Push Knob
4	5288640	Output Terminal Base	32	1101700, 1	Rotary Switch, Speakers Switch
5	5304081	Side Bonnet L-CH	33	1090150, 1	50kΩ × 2, Treble Volume
6	5304091	Side Bonnet R-CH	34	1170510	Lever Switch, Power
7	5287411	Input Terminal Base	35	5047470	Masking, Lever Switch
9	7726140	LED Ass'y, Protector Indicator	36	2430190	Headphone Jack
10	5318262	C-6 Type Knob, Speaker Switch	37	1090150, 1	50kΩ × 2, Midrange Volume
11	5318253	B-6 Type Knob, Treble Volume	38	1090150, 1	50kΩ × 2, Bass Volume
12	5326510	E-2 Type Knob, Power Switch	39	1131150	Push Switch, Tone Selector (Treble)
13	5318253	B-6 Type Knob, Midrange Volume	40	1131140	Push Switch, Tone Selector (Bass)
14	5318253	B-6 Type Knob, Bass Volume	41	1190290	Tone & Filter Switch
15	5318262	C-6 Type Knob, Tone & Filter Switch	42	1170950	Low Filter Switch
16	5326520	E-3 Type Knob, Filter & Muting Switch	43	1170950	High Filter Switch
17	5318800	G-7 Type Knob, Volume	44	1170770	Lever Switch, Muting
19	5318271	D-6 Type Knob, Balance Balance	45	5047821	Masking, Lever Switch
20	5318371	H-6 Type Knob, Tape Play Switch	46	1090220	100kΩ × 4, Volume
21	5318281	F-6 Type Knob, Mode Switch	47	1015170, 1	250kΩ, Balance Volume
22	5318371	H-6 Type Knob, Input Selector	48	1190270	Tape Play Switch
23	5318281	F-6 Type Knob, Tape Copy Switch	49	1190250	Mode Switch
24	5326510	E-2 Type Knob, Tuner Switch	50	1190260	Input Selector
25	5286731	Lever Guide (1)	51	1190280	Tape Copy Switch
26	5286721	Knob Guide	52	1170870	Lever Switch, Tuner
27	5286741	Lever Guide (2)	54	5517050	Leg
28	5336581	Sansui Mark	56	5058492	Bottom Plate
29	7007482	Panel Ass'y (AU-9900A)			
	7007472	Panel Ass'y (AU-11000A)			

5. ADJUSTMENTS

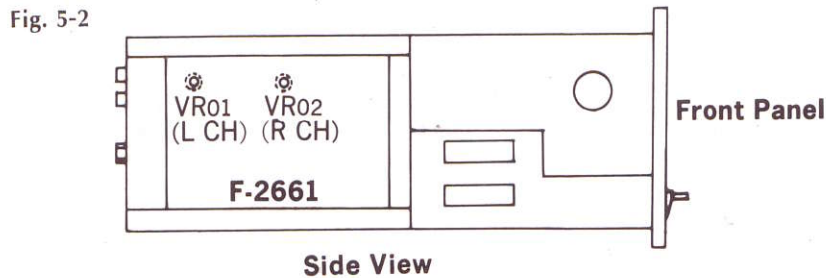
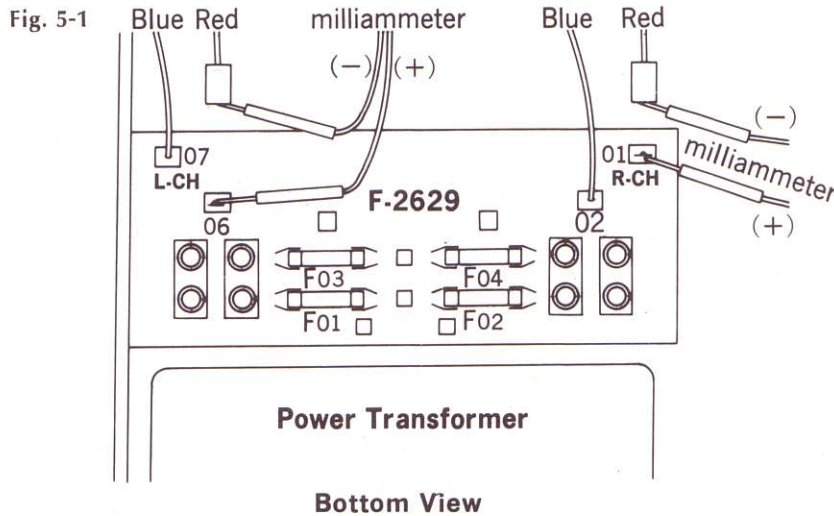
5-1. Bias Current Adjustment (See Fig. 5-1, 5-2)

Condition:

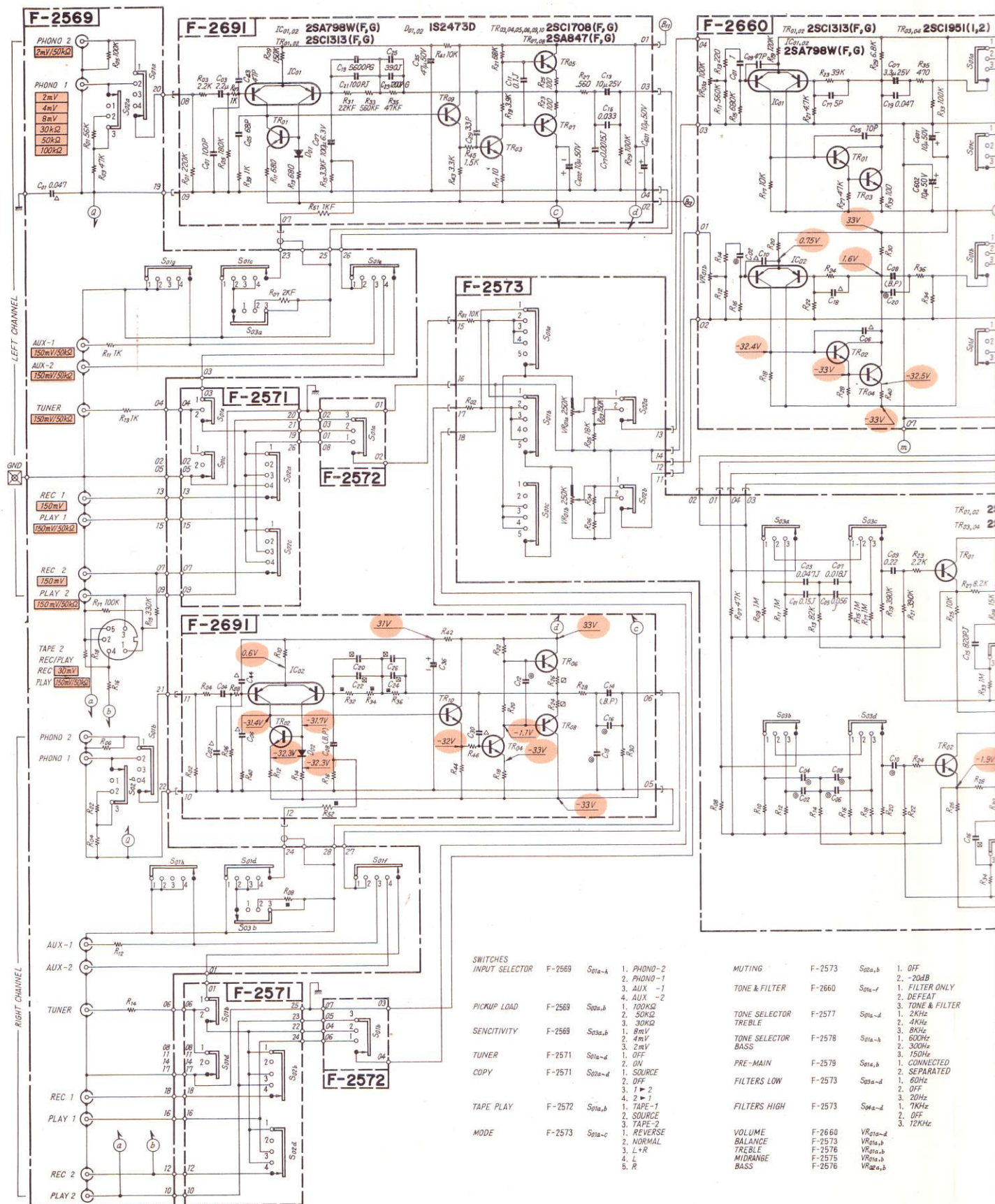
- | | |
|---|--|
| 1. Room Temperature 18°C~28°C (65°F~83°F) | minimum (counterclockwise) |
| 2. Output Load (Speaker) 8 ohms | 5. Level Volume Maximum |
| 3. A.C. Supply Voltage Rated Voltage ±2% | 6. For this adjustment, run this unit for more than 3 minutes after turning on the power switch. |
| 4. Turn down the volumes, VR01, VR02 on F-2661 till | |

STEP	SUBJECTS	AUDIO OSCILLATOR		OUTPUT TERMINAL	ADJUST	ADJUST FOR	REMARKS
		OUTPUT	CONNECTING POINT				
1	Distortion factors & Switching distortion adjustment	At 50kHz, Set the amplifier-output to 15V on both Channels by adjusting O.S.C. output level	Input terminal of amplifier	Speaker terminal 8Ω Oscilloscope Distortion Meter VTVM	VR01 (L-CH) VR02 (R-CH) on F-2661	Minimum point of Distortion factors & Switching distortion	To avoid temperature rise, complete the adjustment in a short time
2	Bias Current confirmation (no input signal)			Refer to D.C. Milliammeter Fig. 5-1	VR01 (L-CH) VR02 (R-CH) on F-2661	Confirm bias current to be within 50mA	Only being it over 50mA, Set it to 50mA Volume minimum

Note: After proceeding with Step 1, have a cooling off period, 5 to 10 minutes, to confirm the bias current. In case of not having a distortion meter, complete the adjustment by step 2 to obtain bias current 50mA.



6. SCHEMATIC DIAGRAM /6-1 AU-9900A/11000A Pre AMP. Section

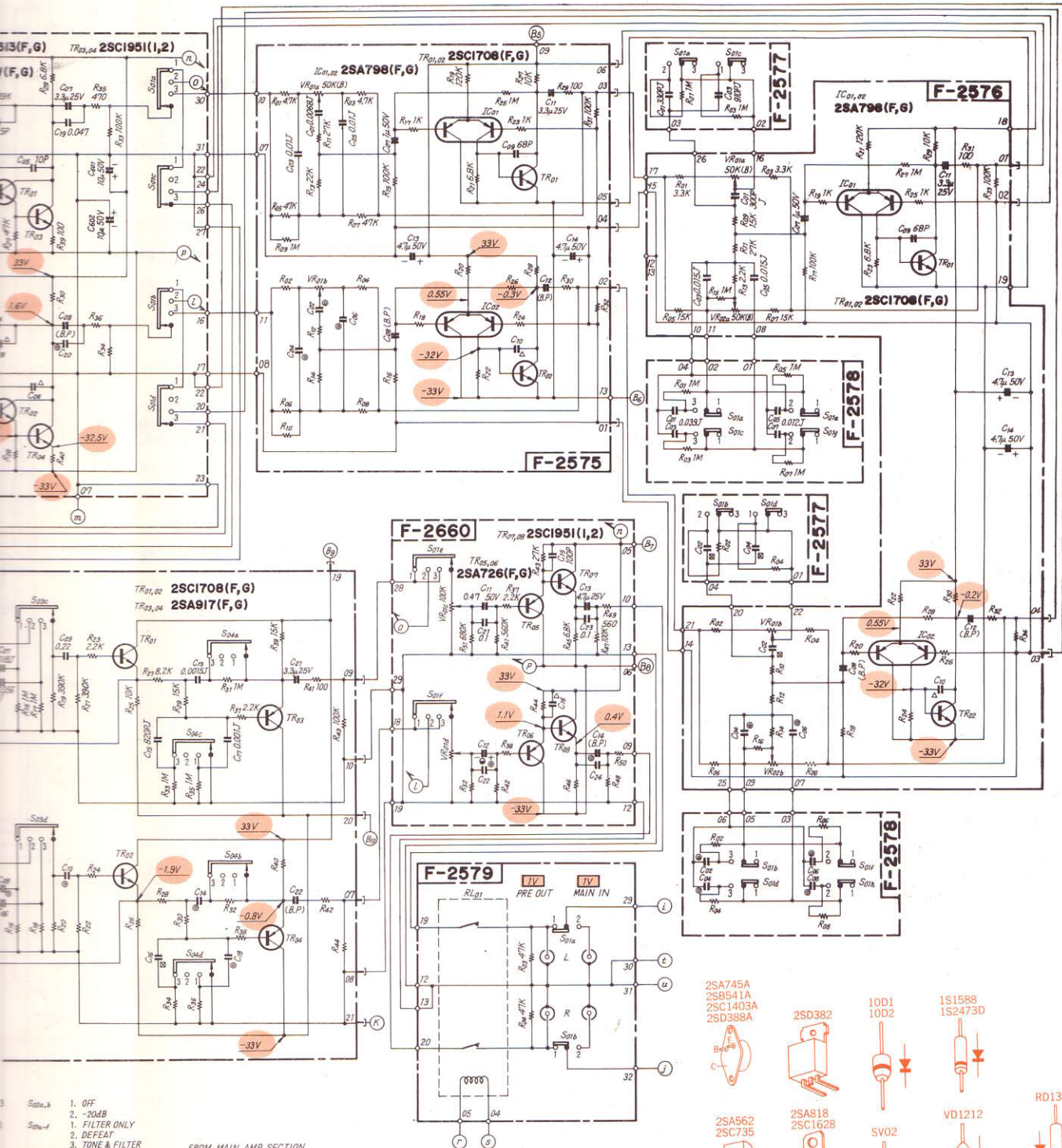


- SWITCHES**
- INPUT SELECTOR F-2569 S_{1a}-a 1. PHONO-2
2. PHONO-1
3. AUX -1
4. AUX -2
 - PICKUP LOAD F-2569 S_{1a}-b 1. 100KΩ
2. 50KΩ
3. 30KΩ
4. 8mV
 - SENSITIVITY F-2569 S_{1a}-b 1. 8mV
2. 4mV
3. 2mV
 - TUNER F-2571 S_{1a}-d 1. OFF
2. ON
 - COPY F-2571 S_{1a}-d 1. SOURCE
2. OFF
3. 1 → 2
4. 2 → 1
 - TAPE PLAY F-2572 S_{1a}-b 1. TAPE-1
2. SOURCE
3. TAPE-2
 - MODE F-2573 S_{1a}-c 1. REVERSE
2. NORMAL
3. L+R
4. L
5. R

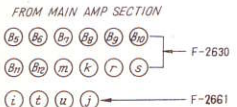
- MUTING** F-2573 S_{1a}-b 1. OFF
2. -20dB
3. FILTER ONLY
- TOPE & FILTER** F-2660 S_{1a}-f 1. FILTER ONLY
2. DEFEAT
3. TONE & FILTER
- TOPE SELECTOR** F-2577 S_{1a}-d 1. 2KHz
2. 4KHz
3. 8KHz
- TOPE SELECTOR** F-2578 S_{1a}-h 1. 60Hz
2. 300Hz
3. 150Hz
- PRE-MAIN** F-2579 S_{1a}-b 1. CONNECTED
2. SEPARATED
- FILTERS LOW** F-2573 S_{1a}-d 1. 60Hz
2. OFF
3. 20Hz
- FILTERS HIGH** F-2573 S_{1a}-d 1. 1KHz
2. OFF
3. 12KHz
- VOLUME** F-2660 VR_{1a}-d
- BALANCE** F-2573 VR_{1a}-b
- TREBLE** F-2576 VR_{1a}-b
- MIDRANGE** F-2575 VR_{1a}-b
- BASS** F-2576 VR_{1a}-b

* La présentation et les spécifications sont susceptibles d'être modifiées sans préavis par suites d'améliorations éventuelles.
 * Änderungen, die dem technischen Fortschritt dienen, bleiben vorbehalten.
 * Design and specifications subject to change without notice for improvements.

on

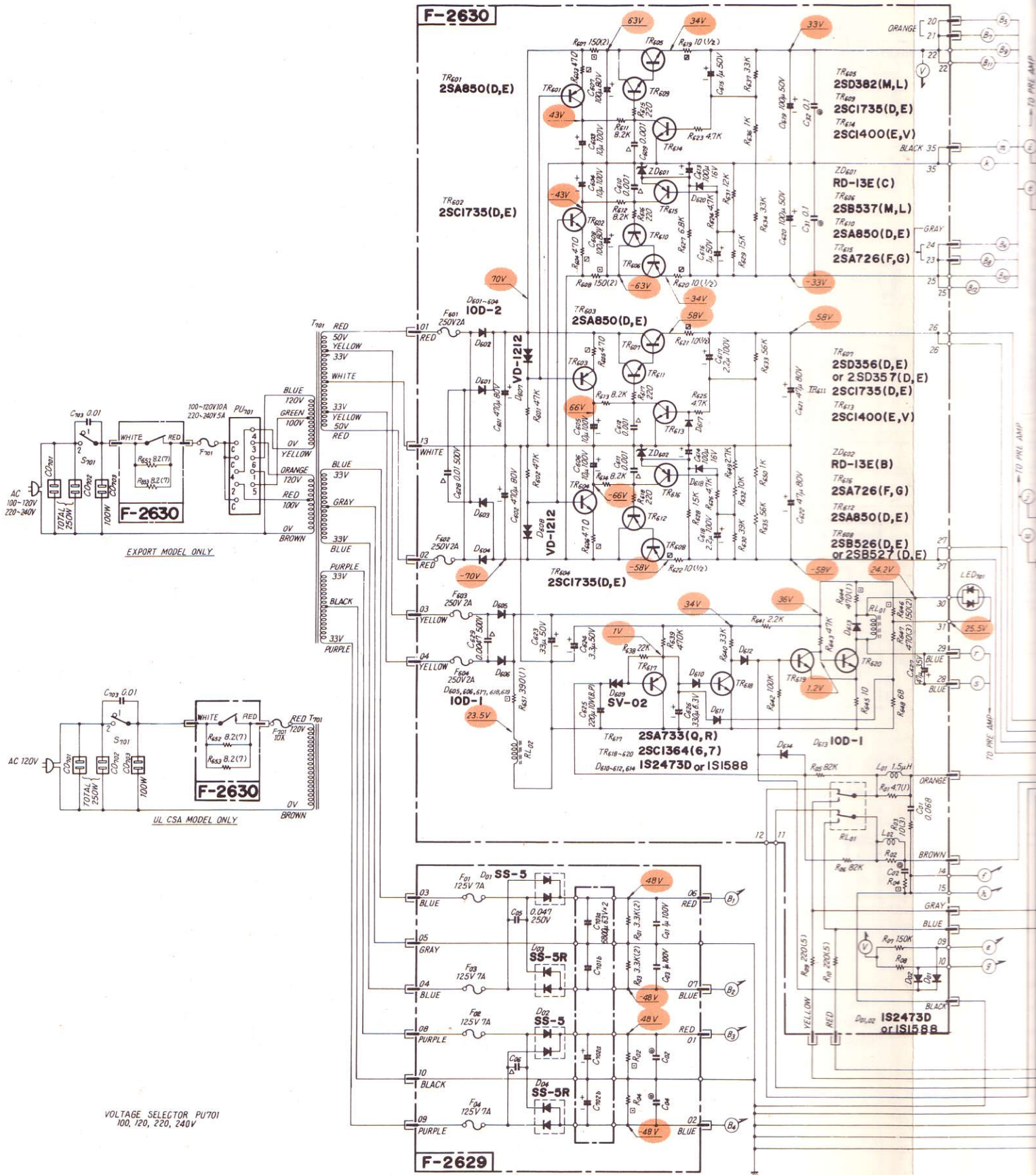


- Sp1-a 1. OFF
 2. -20dB
- Sp1-b 1. FILTER ONLY
 2. DEFEAT
- Sp1-c 1. TONE & FILTER
 2. 2KHz
 3. 4KHz
 4. 8KHz
 5. 600Hz
 6. 300Hz
 7. 150Hz
- Sp1-d 1. CONNECTED
 2. SEPARATED
- Sp1-e 1. 60Hz
 2. OFF
 3. 20Hz
 4. 7KHz
- Sp1-f 1. 7KHz
 2. OFF
 3. 12KHz
- VR101-a
 VR101-b
 VR101-c
 VR101-d
 VR101-e

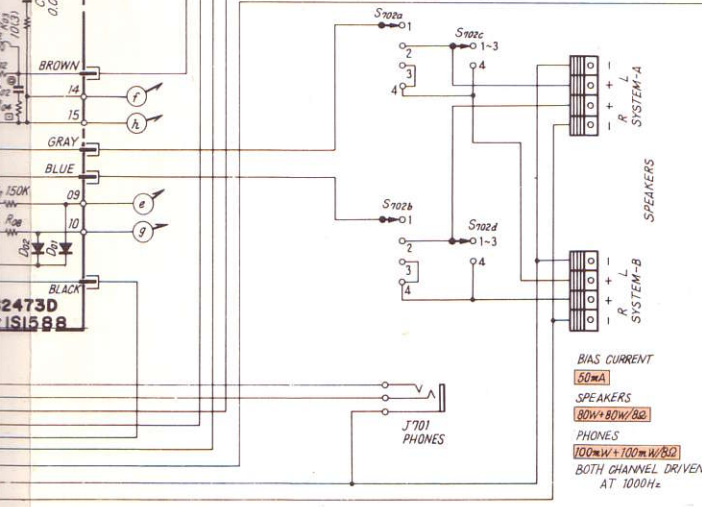
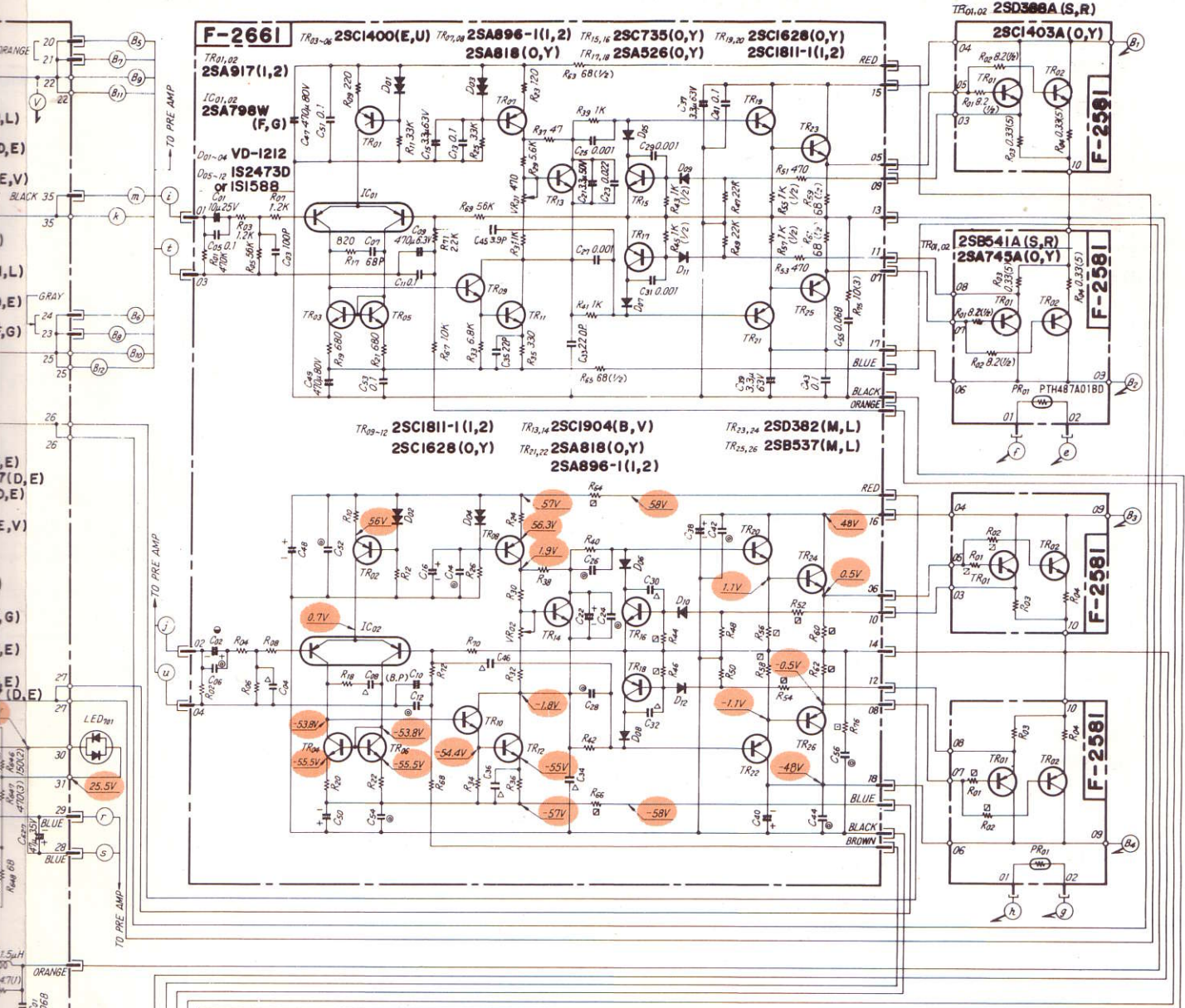


- | | | | | | |
|---------|---------|--------|--------|------|---------|
| 2SA733 | 2SA847 | 2SB526 | 2SB527 | 10D1 | 1S1588 |
| 2SA896 | 2SA726 | 2SD356 | 2SB537 | 10D2 | 1S2473D |
| 2SA917 | 2SA850 | | 2SD357 | | |
| 2SC1811 | 2SC1708 | | | | |
| 2SC1951 | 2SC1313 | | | | |
| 2SC1364 | 2SC1735 | | | | |
| 2SC1400 | | | | | |
-
- | | | | |
|----------|--------|---------|-------|
| 2SA745A | 2SD382 | 1S1588 | RD13E |
| 2SB541A | | 1S2473D | |
| 2SC1403A | | | |
| 2SD388A | | | |
-
- | | | | | | |
|--------|---------|------|--------|------|--------|
| 2SA562 | 2SA818 | SV02 | VD1212 | SS5 | SS151 |
| 2SC735 | 2SC1628 | | | SS5R | SS151R |
-
- | | | |
|---------|--------|--|
| 2SC1904 | 2SA798 | |
|---------|--------|--|

6-2. AU-9900A Power AMP. Section



* La présentation et les spécifications sont susceptibles d'être modifiées sans préavis par suites d'améliorations éventuelles.
 * Änderungen, die dem technischen Fortschritt dienen, bleiben vorbehalten.
 * Design and specifications subject to change without notice for improvements.



S701 POWER
 1. OFF
 2. ON

S702-a-d SPEAKERS
 1. OFF
 2. A
 3. B
 4. A+B

SYMBOL
 Δ Ceramic
 ● Mylar
 ⊙ Styrol
 (B.P) Bi-Polar Electrolytic
 ⊕ Low-Leak Electrolytic
 ⊖ Fusing Resistor
 ⊞ Non-Flammable Resistor
 ■ Metal Film Resistor

RESISTORS
 Are in ohms, 1/4 Watts, ± 5% Tolerance
 Unless Otherwise Noted. K: K2, M: M2

CAPACITORS
 Are in μF, Unless Otherwise Noted. P: pF

TOLERANCE
 J: ± 5%, G: ± 2%, F: ± 1%

—Y: DC Voltage at No Input Signal

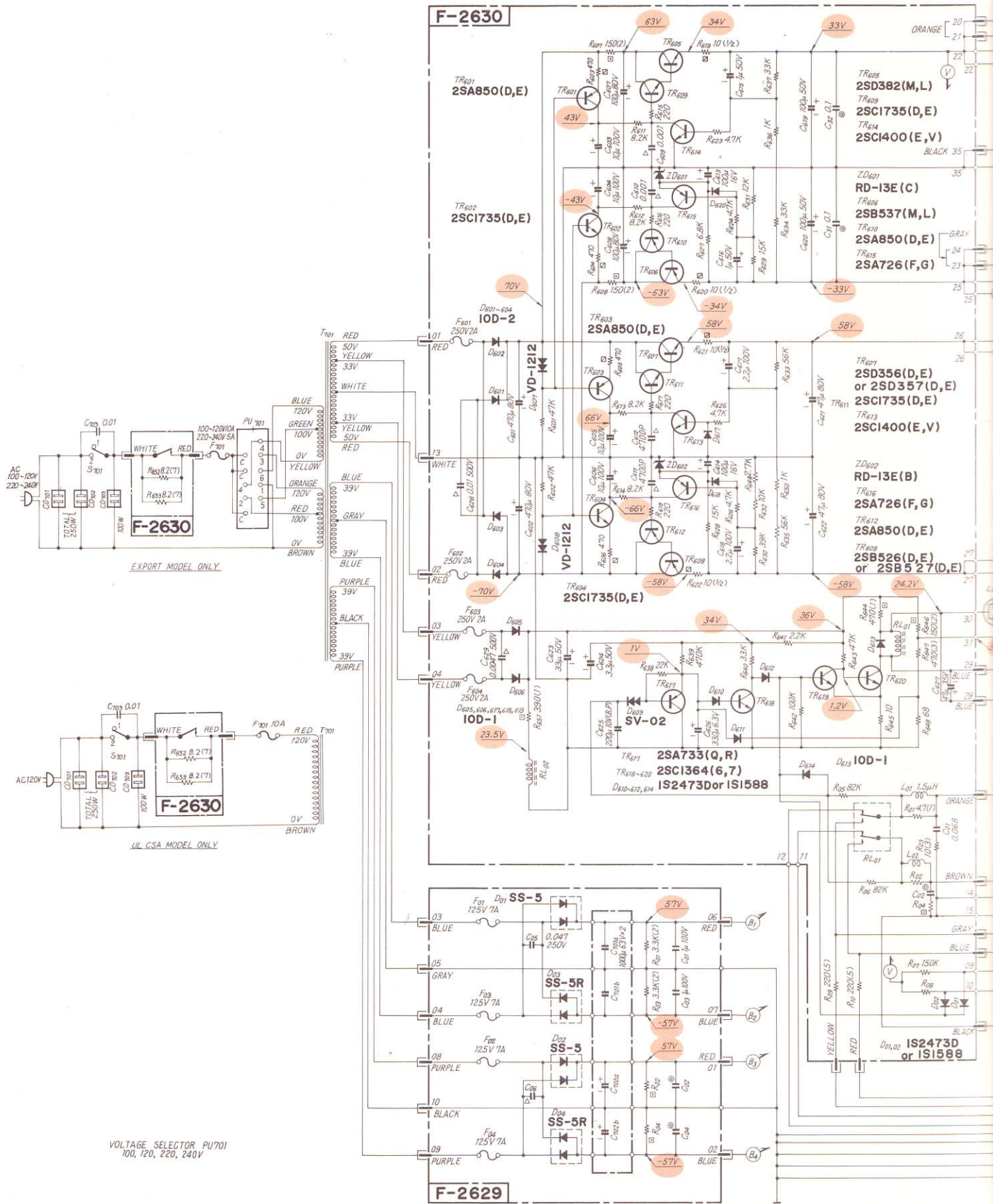
BIAS CURRENT
 50mA

SPEAKERS
 80mW/80W/8Ω

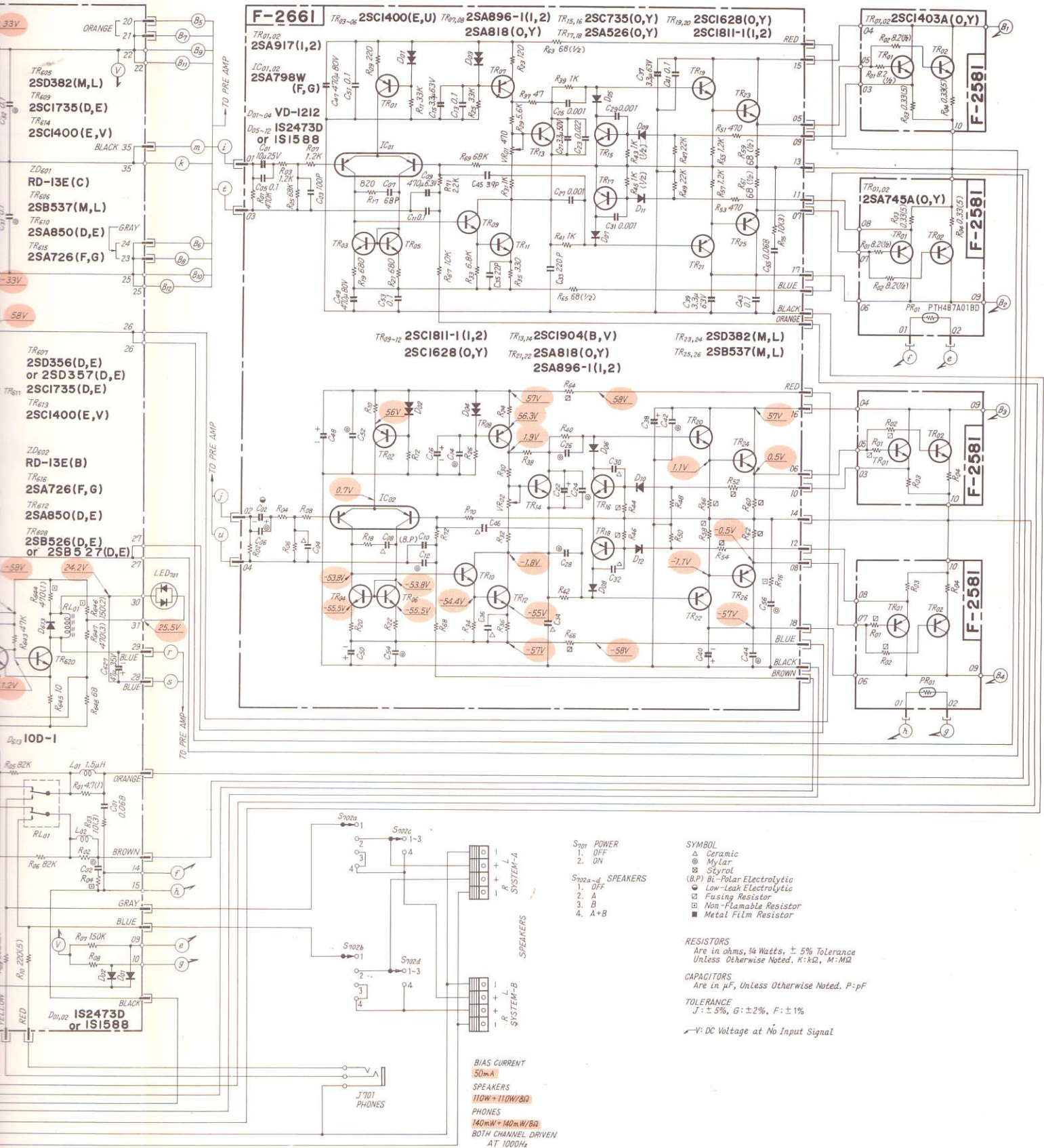
PHONES
 100mW+100mW/8Ω

BOTH CHANNEL DRIVEN AT 1000Hz

6-3. AU-11000A Power AMP. Section

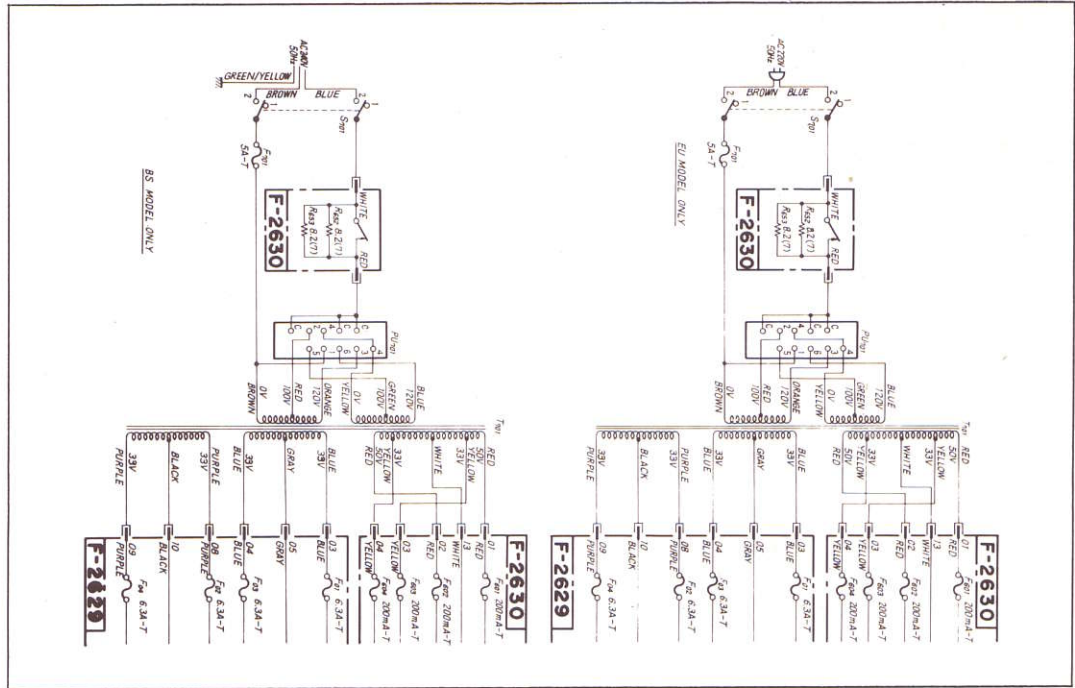


• La présentation et les spécifications sont susceptibles d'être modifiées sans préavis par suites d'améliorations éventuelles.
 • Änderungen, die dem technischen Fortschritt dienen, bleiben vorbehalten.
 • Design and specifications subject to change without notice for improvements.



6-4. AU-9900A Power Supply Section

EU, BS MODEL ONLY



6-5. AU-11000A Power Supply Section

EU, BS MODEL ONLY

