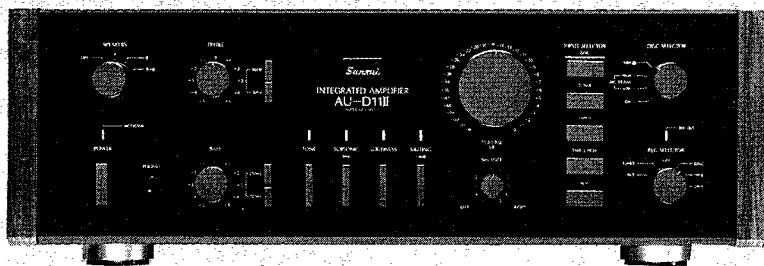


SERVICE MANUAL

517

INTEGRATED AMPLIFIER

SANSUI AU-D1111



CAUTION

1. Parts identified by the \triangle symbol on the schematic diagram and the parts list are critical for safety. Use only replacement parts that have critical characteristics recommended by the manufacturer.
2. Make leakage-current or resistance measurements to determine that exposed parts are acceptably insulated from the supply circuit before returning the appliance to the customer.

•SPECIFICATIONS

Power output

Min. RMS, both channels driven, from 10 to 20,000 Hz, with no more than 0.0028% total harmonic distortion.

130 watts per channel into 8 ohms.

Load impedance..... 8 ohms

Total harmonic distortion

..... less than 0.0028% at or below rated min. RMS power output

Intermodulation distortion

(60 Hz: 7 kHz=4:1 SMPTE method)

..... less than 0.0028% at rated power output

Frequency response (at 1 watt)

Overall (from AUX)..... DC to 300,000 Hz, +0 dB
-3.0 dB

RIAA curve deviation (DISC-MM, 20 Hz to 20 kHz)

..... +0.2 dB, -0.2 dB

Input sensitivity and impedance (at 1 kHz)

DISC-MC-HIGH 250 μ V/40 ohms

DISC-MC-LOW 70 μ V/3.2 ohms

(Max. input capability (LOW): 25 mV at 1 kHz, less than 0.01% total harmonic distortion)

DISC-MM 2.5 mV/47 kilohms

(Max. input capability; 200 mV at 1 kHz, less than 0.01% total harmonic distortion)

DISC-DA 150 mV/47 kilohms

AUX, TUNER, TAPE PLAY-1, 2

..... 150 mV/47 kilohms

Output level (1,000 Hz)

TAPE REC-1, 2 150 mV into 47 kilohms

Signal to noise ratio (short-circuit, A-network)

DISC-MC 80 dB

DISC-MM 90 dB

AUX, TUNER, TAPE PLAY-1, 2

..... 110 dB

Controls and Filter

BASS \pm 10 dB at 50 Hz

Tone selector..... 125 Hz, 250 Hz

TREBLE..... \pm 10 dB at 10 kHz

Tone selector..... 3 kHz, 6 kHz

SUBSONIC -3 dB at 16 Hz (6 dB/oct)

MUTING -20 dB

LOUDNESS +8 dB at 50 Hz

(VOLUME: -30 dB +6 dB at 10kHz position)

Power requirements

Power voltage..... 120/220/240V (50/60 Hz)

For U.S.A. & Canada

..... 120V (60 Hz)

Power consumption.... 470 watts 560 VA Rated

700 watts Maximum

Dimensions..... 466 mm (18-3/8") W

161 mm (6-3/8") H

431 mm (17") D

Weight..... 17 kg (37.4 lbs) net

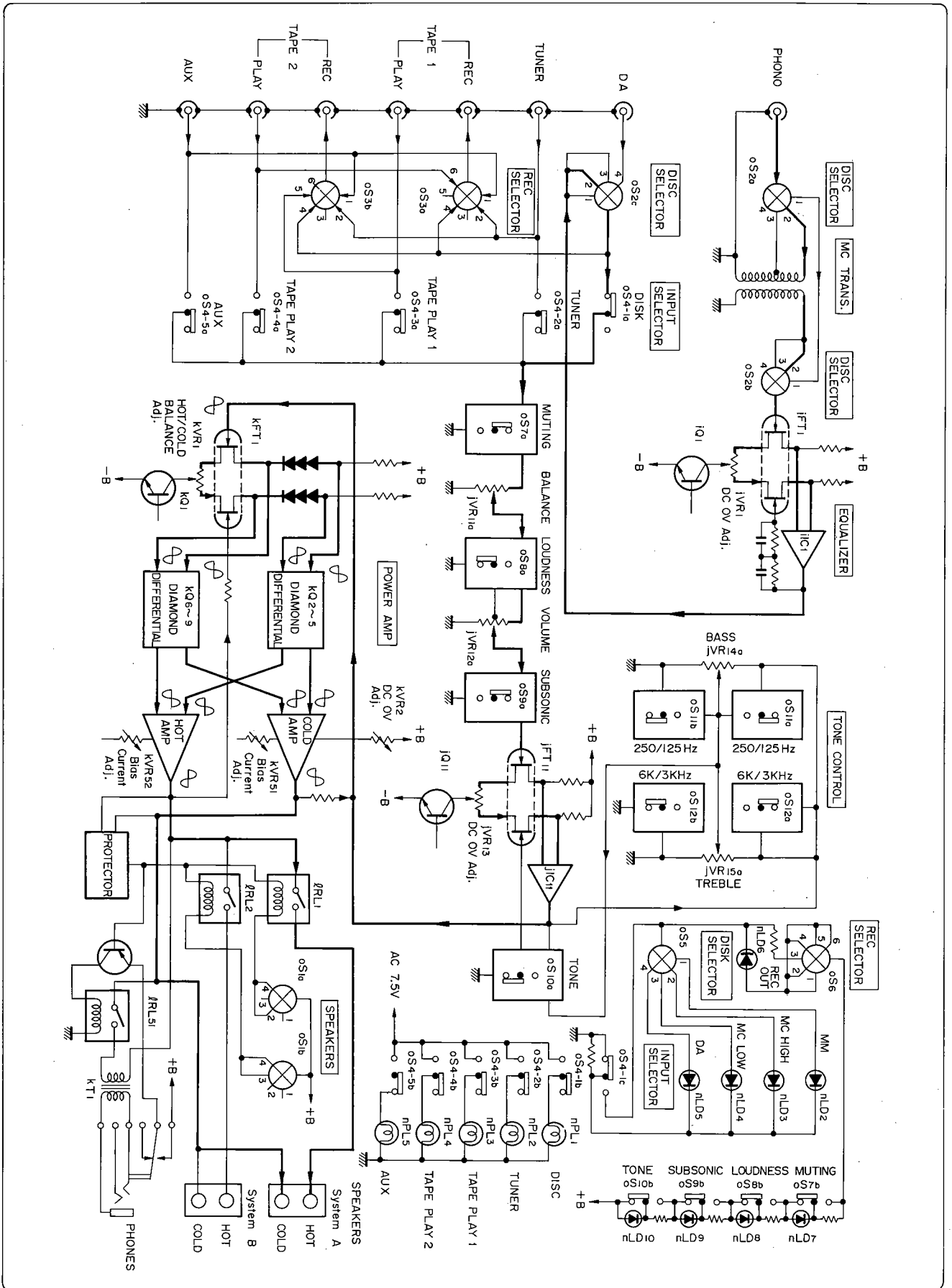
19 kg (41.8 lbs) packed

* Design and specifications subject to changes without notice for improvements.

Sansui

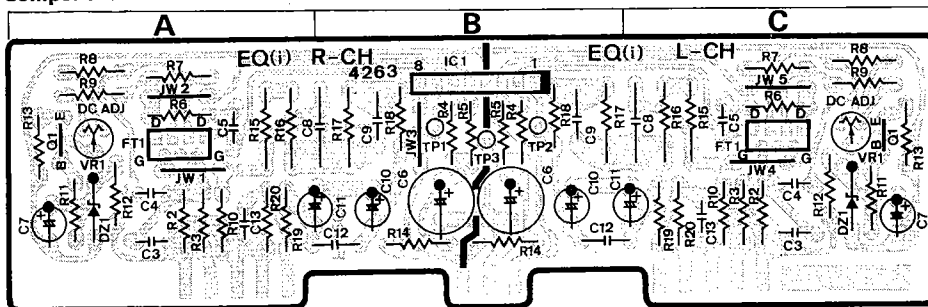
SANSUI ELECTRIC CO., LTD.

1. BLOCK DIAGRAM



2. PARTS LOCATION & PARTS LIST

2-1. F-4263 Equalizer Amp. Circuit Board (Stock No. 00763301) Component Side

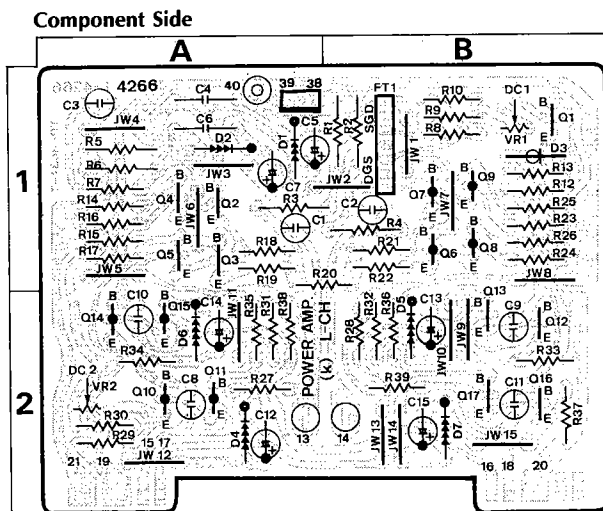


Parts List

Parts No.	Stock No.	Description
• Transistor		
iQ1	46581701	2SC1845
• FET		
iFT1	46723601 or 46723602	2SK389-BL 2SK389-V
• IC		
iiC1	46579100	M5219L
• Zener Diode		
iDZ1	46111800	05Z6.2-Y

Parts No.	Stock No.	Description
iR15	46456100	56kΩ 1/2W C.R.
iR16	46452300	1.5kΩ 1/2W C.R.
iR17	46453500	4.7kΩ 1/2W C.R.
iC8	00414500	0.056μF 100V P.C.
iC9	00413200	0.016μF 100V P.C.
iC12	46891600	0.047μF 100V F.C.
iC13	46884300	4700pF 100V F.C.
iVR1	46726700	200Ω(B) S.V.R., DC 0V Adj.

2-2. F-4266 Driver Amp. Circuit Board (Stock No. 00763401) Component Side



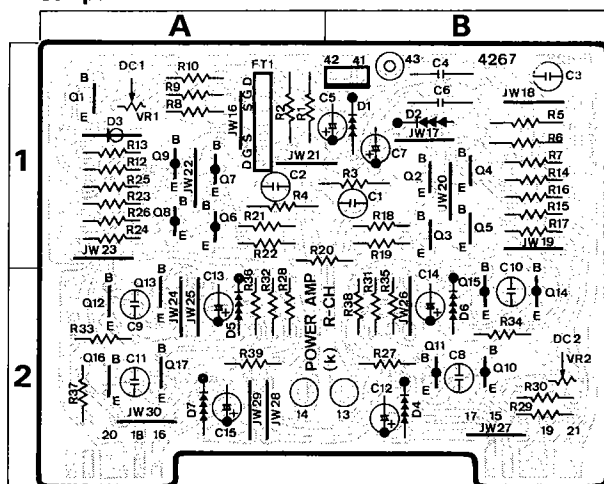
Parts List

Parts No.	Stock No.	Description
• Transistor		
kQ1	46581701	2SC1845
kQ2	46581701	2SC1845
kQ3	46581701	2SC1845
kQ4	46581701	2SC1845
kQ5	46581701	2SC1845
kQ6	46581601	2SA992
kQ7	46581601	2SA992
kQ8	46581601	2SA992
kQ9	46581601	2SA992
kQ10	46728201	2SA1145
kQ11	46728201	2SA1145
kQ12	46728301	2SC2705
kQ13	46728301	2SC2705
kQ14	46728201	2SA1145

Parts No.	Stock No.	Description
kQ15	46728201	2SA1145
kQ16	46728301	2SC2705
kQ17	46728301	2SC2705
• FET		
kFT1	07110000 or 07110001	μPA68H-L μPA68H-M
kD1	03401700	Varistor MV103
kD2	03401700	Varistor MV103
kD3	46445300	10YD2.4 (Constant Current)
kD4	03402000	Varistor SV04
kD5	03402000	Varistor SV04
kD6	03402000	Varistor SV04
kD7	03402000	Varistor SV04
kR1	46451900	1kΩ 1/2W C.R.
kR2	46452000	1.1kΩ 1/2W C.R.
kR3	46455600	36kΩ 1/2W C.R.
kR4	46455600	36kΩ 1/2W C.R.
kR5	46453300	3.9kΩ 1/2W C.R.
kR6	46453300	3.9kΩ 1/2W C.R.
Δ kR29	46229200	150Ω 1/2W N.I.R.
Δ kR30	46229600	330Ω 1/2W N.I.R.
Δ kR33	46229100	120Ω 1/2W N.I.R.
Δ kR34	46229100	120Ω 1/2W N.I.R.
Δ kR37	46229100	120Ω 1/2W N.I.R.
kC3	46917800	1500pF 125V P.C.
kC4	00407400	0.033μF 100V F.C.
kC6	00407400	0.033μF 100V F.C.
kVR1	10335700	100Ω(B) S.V.R., HOT/COLD DC Balance Adj.
kVR2	10336100	470Ω(B) S.V.R., DC 0V Adj.

2-3. F-4267 Driver Amp. Circuit Board

Component Side (Stock No. 00763501)

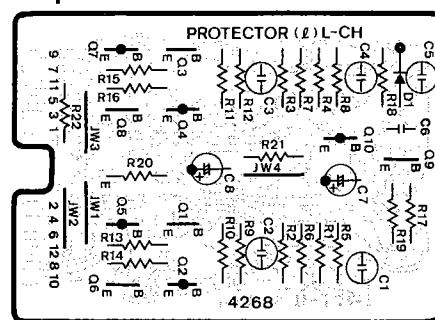


Parts List

Parts No.	Stock No.	Description
•Transistor		
kQ1	46581701	2SC1845
kQ2	46581701	2SC1845
kQ3	46581701	2SC1845
kQ4	46581701	2SC1845
kQ5	46581701	2SC1845
kQ6	46581601	2SA992
kQ7	46581601	2SA992
kQ8	46581601	2SA992
kQ9	46581601	2SA992
kQ10	46728201	2SA1145
kQ11	46728201	2SA1145
kQ12	46728301	2SC2705
kQ13	46728301	2SC2705
kQ14	46728201	2SA1145
kQ15	46728201	2SA1145
kQ16	46728301	2SC2705
kQ17	46728301	2SC2705
•FET		
kFT1	07110000 or 07110001	μ PA68H-L μ PA68H-M
kD1	03401700	Varistor MV103
kD2	03401700	Varistor MV103
kD3	46445300	10YD2.4 (Constant Current)
kD4	03402000	Varistor SV04
kD5	03402000	Varistor SV04
kD6	03402000	Varistor SV04
kD7	03402000	Varistor SV04
kR1	46451900	1k Ω 1/2W C.R.
kR2	46452000	1.1k Ω 1/2W C.R.
kR3	46455600	36k Ω 1/2W C.R.
kR4	46455600	36k Ω 1/2W C.R.
kR5	46453300	3.9k Ω 1/2W C.R.
kR6	46453300	3.9k Ω 1/2W C.R.
Δ kR29	46229200	150 Ω 1/2W N.I.R.
Δ kR30	46229600	330 Ω 1/2W N.I.R.
Δ kR33	46229100	120 Ω 1/2W N.I.R.
Δ kR34	46229100	120 Ω 1/2W N.I.R.
Δ kR37	46229100	120 Ω 1/2W N.I.R.
kC3	46917800	1500pF 125V P.C.
kC4	00407400	0.033 μ F 100V F.C.
kC6	00407400	0.033 μ F 100V F.C.
kVR1	10335700	100 Ω (B) S.V.R., HOT/COLD DC Balance Adj.
kVR2	10336100	470 Ω (B) S.V.R., DC 0V Adj.

2-4. F-4268 Protector Circuit Board

Component Side (Stock No. 00763601)

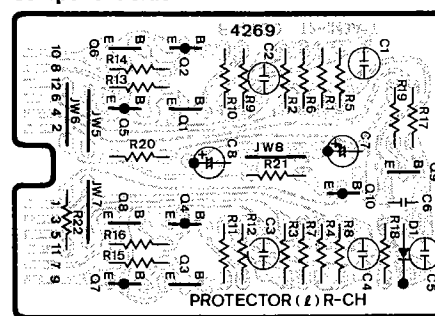


Parts List

Parts No.	Stock No.	Description
•Transistor		
IQ1	46367101	2SC2603
IQ2	46367001	2SA1115
IQ3	46367101	2SC2603
IQ4	46367001	2SA1115
IQ5	46367001	2SA1115
IQ6	46367101	2SC2603
IQ7	46367001	2SA1115
IQ8	46367101	2SC2603
IQ9	46367101	2SC2603
IQ10	46367001	2SA1115
•Diode		
ID1	03117600 or 46086000	1S2473T77 1S1588
IC6	46882700	1000pF 100V F.C.

2-5. F-4269 Protector Circuit Board

Component Side (Stock No. 00763701)

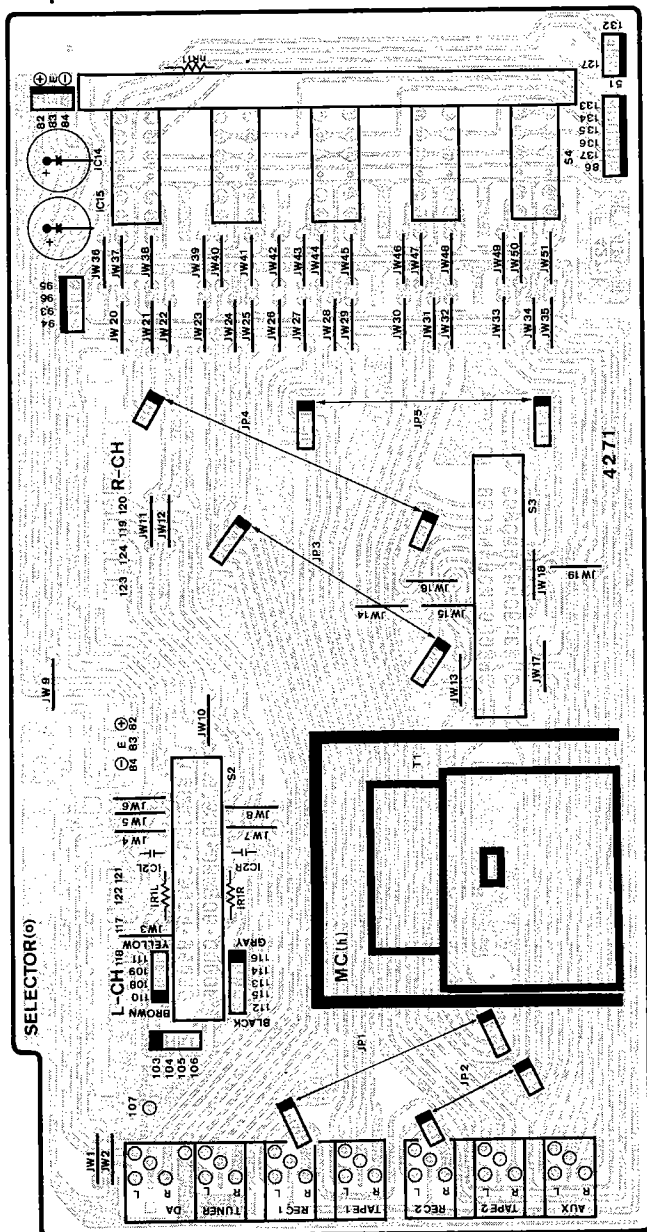


Parts List

Parts No.	Stock No.	Description
•Transistor		
IQ1	46367101	2SC2603
IQ2	46367001	2SA1115
IQ3	46367101	2SC2603
IQ4	46367001	2SA1115
IQ5	46367001	2SA1115
IQ6	46367101	2SC2603
IQ7	46367001	2SA1115
IQ8	46367101	2SC2603
IQ9	46367101	2SC2603
IQ10	46367001	2SA1115
•Diode		
ID1	03117600 or 46086000	1S2473T77 1S1588
IC6	46882700	1000pF 100V F.C.

2-6. F-4271 Input Selector Circuit Board

Component Side

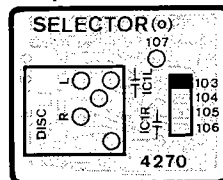


Parts List

Parts No.	Stock No.	Description
hT1	46726000	MC Head Transformer
oS2	07186500	Slide SW., DISC SELECTOR
oS3	07200200	Slide SW., REC SELECTOR
oS4	46726800	Push SW., INPUT SELECTOR
	46684900	2P Input Terminal, DA
	46685200	6P Terminal, TUENR, TAPE 1/2, AUX

2-7. F-4270 MM/MC Input Terminal Board

Component Side

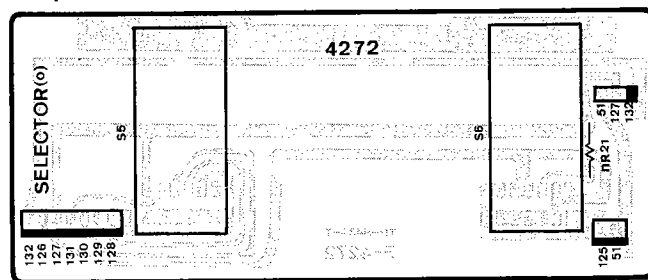


Parts List

Parts No.	Stock No.	Description
	46684900	2P Input Terminal Board, PHONO

2-8. F-4272 DISK & REC Selector Circuit Board

Component Side

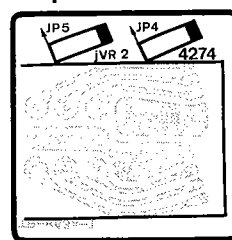


Parts List

Parts No.	Stock No.	Description
oS5	46726510	Rotary SW., DISC SELECTOR
oS6	46726610	Rotary SW., REC SELECTOR

2-9. F-4274 VOLUME Control Board

Component Side

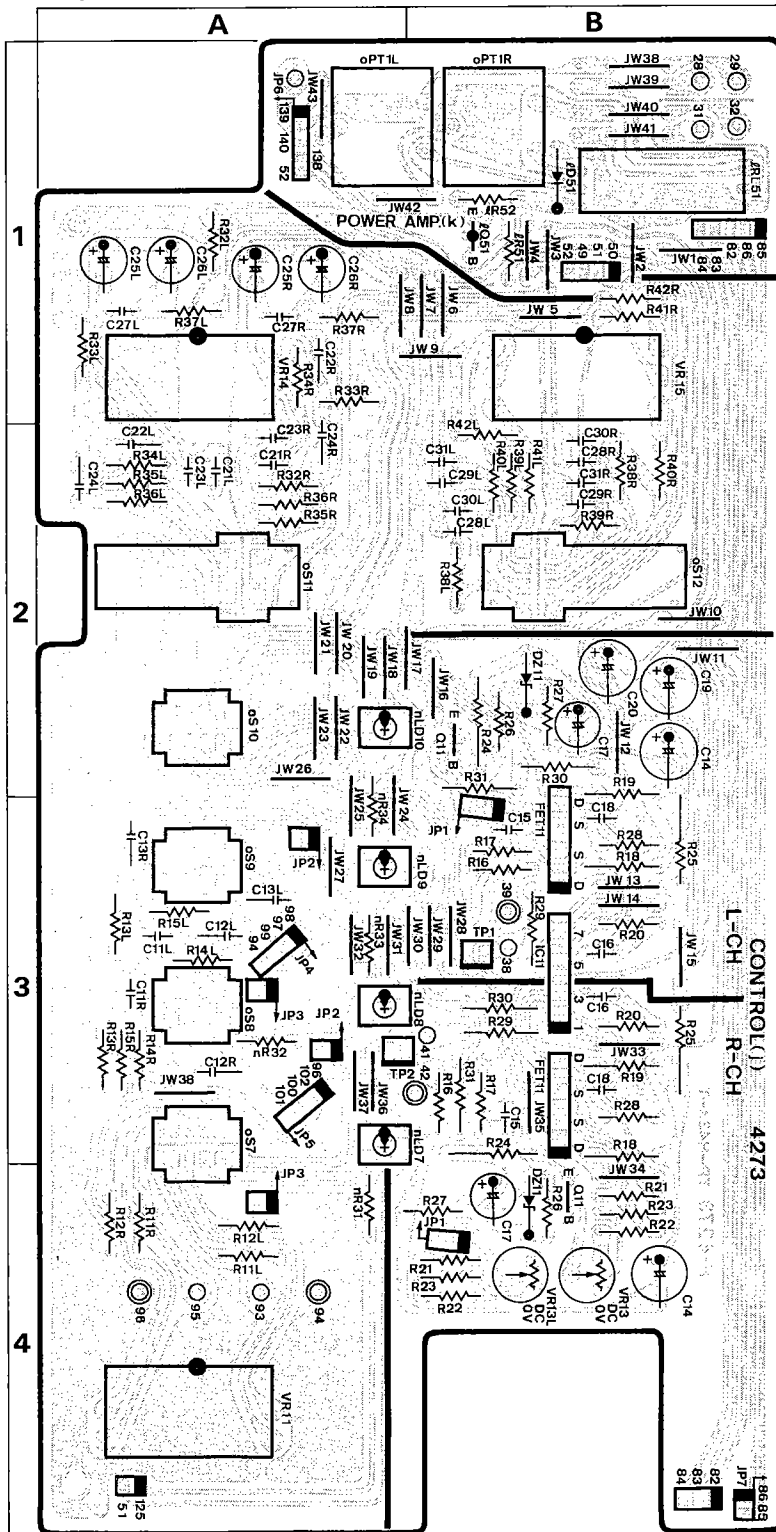


Parts List

Parts No.	Stock No.	Description
jVR12	46737100	100kΩ V.R., VOLUME

2-10. F-4273 Control Amp. Circuit Board (Stock No. 00764101)

Component Side

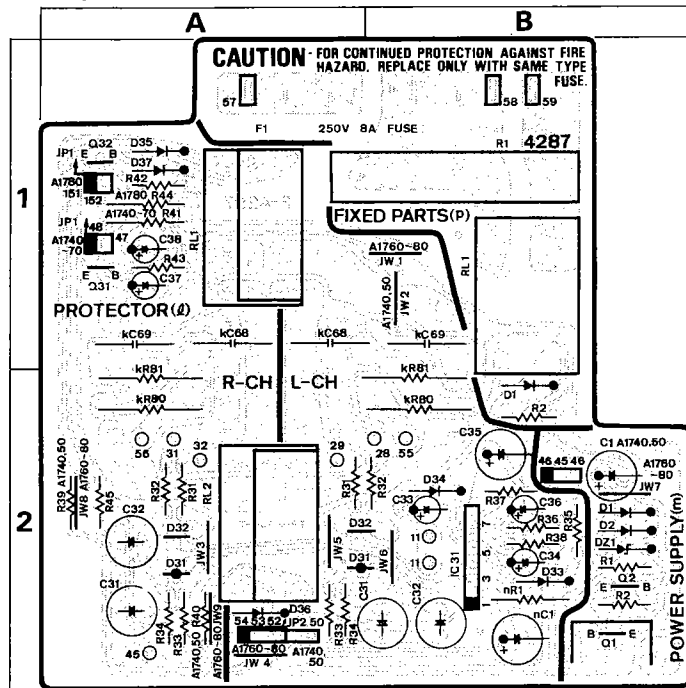


Parts List

Parts No.	Stock No.	Description
• Transistor		
JQ11	46581701	2SC1845
• FET		
JFT11	07110000 or 07110001	μ PA68H-L μ PA68H-M
• IC		
JIC11	46579100	M5219L
• Zener Diode		
JDZ11	46111800	05Z6.2-Y
JR29	46449500	100 Ω 1/2W C.R.
JR30	46453700	5.6k Ω 1/2W C.R.
JR31	46451900	1k Ω 1/2W C.R.
JC12	46887100	0.068 μ F 100V F.C.
JC13	46886600	0.043 μ F 100V F.C.
JC21	46885500	0.015 μ F 100V F.C.
JC22	46887300	0.082 μ F 100V F.C.
JC23	46885700	0.018 μ F 100V F.C.
JC24	46887500	0.1 μ F 100V F.C.
JC27	46886700	0.047 μ F 100V F.C.
JC28	46882700	1000pF 100V F.C.
JC29	46884600	6200pF 100V F.C.
JC30	46882700	1000pF 100V F.C.
JC31	46884600	6200pF 100V F.C.
JVR11	46731800	250k Ω V.R., BALANCE
JVR13	46738100	100 Ω S.V.R., DC 0V Adj.
JVR14	46731900	100k Ω V.R., BASS
JVR15	46731900	100k Ω V.R., TREBLE
Δ KR82	46228400	33 Ω 1/2W N.I.R.
KT1	46841800	Output Transformer, PHONES
• Transistor		
IQ51	07197001	2SA733A
• Diode		
ID51	03117600	1S2473T77
IRL51	11504300 or 11504301	Relay, PHONES Relay, PHONES
nLD7	46176900	LED TLS-123, MUTING
nLD8	46176900	LED TLS-123, LOUDNESS
nLD9	46176900	LED TLS-123, SUBSONIC
nLD10	46176900	LED TLS-123, TONE
oS7	46736800	Push SW., MUTING
oS8	46736800	Push SW., LOUDNESS
oS9	46736800	Push SW., SUBSONIC
oS10	46736800	Push SW., TONE
oS11	46730600	Push SW., BASS
oS12	46730600	Push SW., TREBLE

2-11. F-4287 Protector Circuit Board (Stock No. 00764501)

Component Side



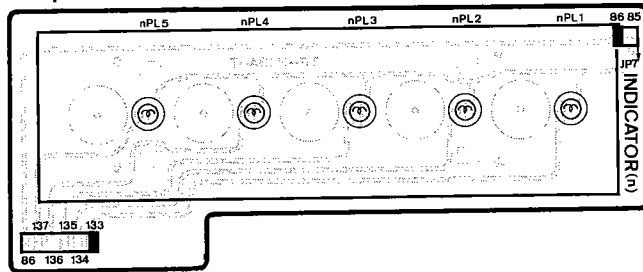
Parts List

Parts No.	Stock No.	Description
△ kR80	00185500	10Ω 2W N.I.R.
△ kR81	00185500	10Ω 2W N.I.R.
kC68	46615100	0.047μF 50V P.C.
kC69	46615100	0.047μF 50V P.C.
• Transistor		
IQ31	07194801	2SC1815
IQ32	07194801	2SC1815
• IC		
△ IIC31	03609000	HA12002
• Diode		
ID31	46463900	MC921
ID32	46463700	MC911
ID33	03117700	10E-2

Parts No.	Stock No.	Description
ID34	03111800	1S1588
	or 07176400	1S2473HS
ID35	03117700	10E-2
ID36	03117700	10E-2
ID37	03111800	1S1588
	or 07176400	1S2473HS
△ IR38	46230300	1.2kΩ 1/2W N.I.R.
△ IR39	46227800	10Ω 1/2W N.I.R.
△ IR40	46227800	10Ω 1/2W N.I.R.
△ IR41	46250800	1.8kΩ 1/2W N.I.R.
IC31	00304400	100μF 16V E.B.
IC32	00304400	100μF 16V E.B.
IRL1	46446400	Relay, SPEAKERS SYSTEM A
IRL2	46446400	Relay, SPEAKERS SYSTEM B
• Transistor		
△ mQ1	03086101	2SD357
mQ2	03067401	2SC1845
• Diode		
mD1	03117700	10E-2
mD2	03117700	10E-2
• Zener Diode		
mDZ1	46105800	05Z24-Y
△ mR1	46228400	33Ω 1/2W N.I.R.
△ mR2	46230200	1kΩ 1/2W N.I.R.
△ nR1	46250800	1.8kΩ 1W N.I.R.
	46739500	8P Output Terminal, SPEAKERS
• Diode		
pD1	03117700	10E-2
△ pR1	46739900	3.9Ω 10W Ce.R.
△ pF1	07189100	5A 250V Power Fuse, <220/240V> (XX)
	07189500	10A 250V Power Fuse, <120V> (XX, CSA)
	07185300	4A 250V Power Fuse, <220/240V> (EU)
△ pRL1	46222200	Relay, In-rush Prevention

2-12. F-4275 Input Indicator Lamp Board

Component Side

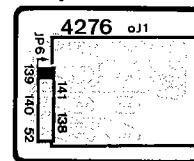


Parts List

Parts No.	Stock No.	Description
nPL1	46730000	8V 0.1A Pilot Lamp, DISC
nPL2	46730000	8V 0.1A Pilot Lamp, TUNER
nPL3	46730000	8V 0.1A Pilot Lamp, TAPE PLAY 1
nPL4	46730000	8V 0.1A Pilot Lamp, TAPE PLAY 2
nPL5	46730000	8V 0.1A Pilot Lamp, AUX

2-13. F-4276 PHONES Jack Board

Component Side

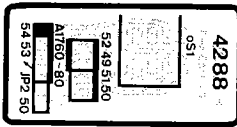


Parts List

Parts No.	Stock No.	Description
oJ1	46078200	Jack, PHONES

2-14. F-4288 SPEAKERS Selector Board

Component Side

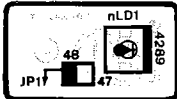


Parts List

Parts No.	Stock No.	Description
oS1	46730700	Rotary SW., SPEAKERS

2-15. F-4289 PROTECTOR LED Board

Component Side

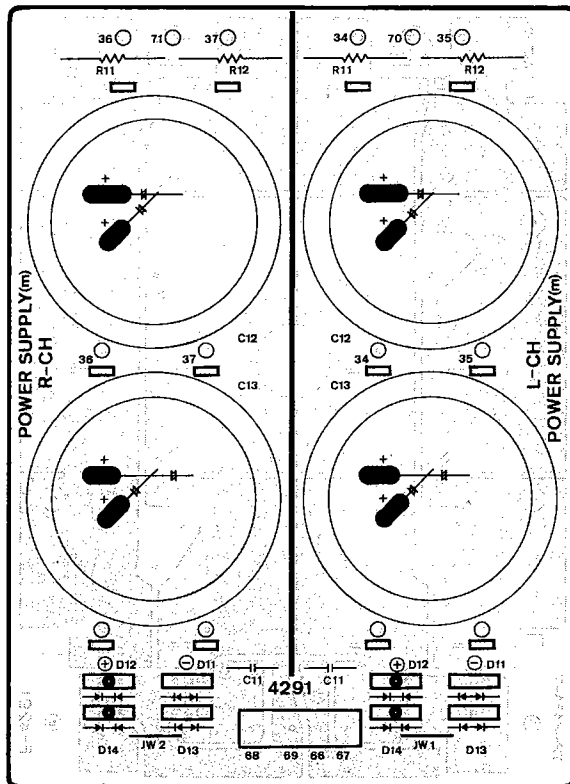


Parts List

Parts No.	Stock No.	Description
nLD1	03193700	LED SEL1110S, PROTECTOR

2-16. F-4291 Power Supply Circuit Board

Component Side

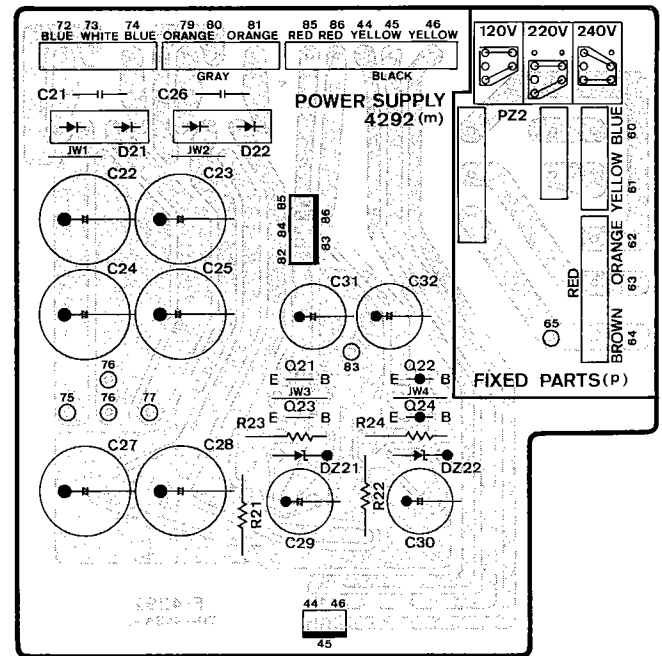


Parts List

Parts No.	Stock No.	Description
•Diode		
ΔmD11	46731400	CTP-21R
ΔmD12	46731500	CTP-21S
mR11	46510500	6.8kΩ 1W C.R.
mR12	46510500	6.8kΩ 1W C.R.
mC11	07287400	0.01μF 630V F.C.
mC12	46729200	10000μF 80V E.C.
mC13	46729200	10000μF 80V E.C.

2-17. F-4292 Power Supply Circuit Board

Component Side

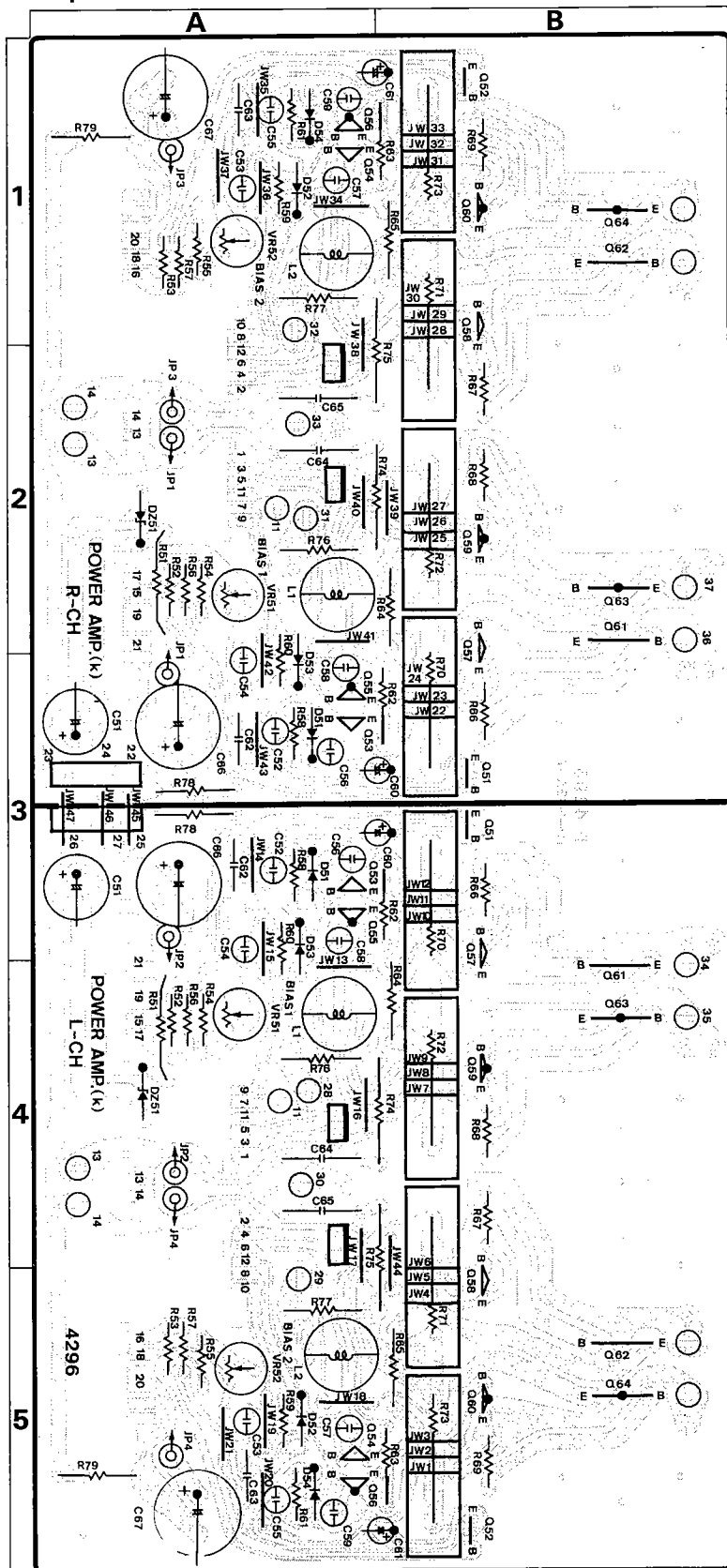


Parts List

Parts No.	Stock No.	Description
•Transistor		
ΔmQ21	03086101	2SD357
ΔmQ22	03034401	2SB527
mQ23	03067401	2SC1845
mQ24	03010901	2SA992
•Diode		
ΔmD21	07193300	UB-152LFF
ΔmD22	07193300	UB-152LFF
•Zener Diode		
mDZ21	46105500	05Z22-Y
mDZ22	46105500	05Z22-Y
ΔmR21	08921300	4.7Ω 1/2W N.I.R.
ΔmR22	08921300	4.7Ω 1/2W N.I.R.
ΔmR23	08924100	1kΩ 1/2W N.I.R.
ΔmR24	08924100	1kΩ 1/2W N.I.R.
mC21	07287400	0.01μF 630V F.C.
mC22	46628500	470μF 50V E.C.
mC23	46628500	470μF 50V E.C.
mC24	46628500	470μF 50V E.C.
mC25	46628500	470μF 50V E.C.
mC26	07287400	0.01μF 630V F.C.
mC27	46628500	470μF 50V E.C.
mC28	46628500	470μF 50V E.C.
mC31	46628100	100μF 50V E.C.
mC32	46628100	100μF 50V E.C.

2-18. F-4296 Power Amp. Circuit Board (Stock No. 00765101)

Component Side

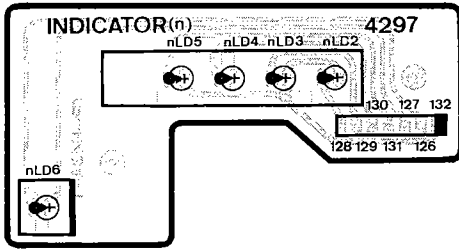


Parts List

Parts No.	Stock No.	Description
• Transistor		
△ kQ51	03067401	2SC1845
△ kQ52	03067401	2SC1845
kQ53	07208701	2SC2705
kQ54	07208701	2SC2705
kQ55	07208801	2SA1145
kQ56	07208801	2SA1145
kQ57	46728901	2SC3298
kQ58	46728901	2SC3298
kQ59	46728801	2SA1306
kQ60	46728801	2SA1306
△ kQ61	46729901	2SC3519LF
△ kQ62	46729901	2SC3519LF
△ kQ63	46729801	2SA1386LF
△ kQ64	46729801	2SA1386LF
• Diode		
kD51	03117200	1S2091
kD52	03117200	1S2091
kD53	03117200	1S2091
kD54	03117200	1S2091
• Zener Diode		
kDZ1	03171900	RD27FB
△ kR51	00191400	680Ω 2W N.I.R.
△ kR58	46229700	390Ω 1/2W N.I.R.
△ kR59	46229700	390Ω 1/2W N.I.R.
△ kR60	46229700	390Ω 1/2W N.I.R.
△ kR61	46229700	390Ω 1/2W N.I.R.
△ kR62	08923800	560Ω 1/2W N.I.R.
△ kR63	08923800	560Ω 1/2W N.I.R.
△ kR64	08923000	120Ω 1/2W N.I.R.
△ kR65	08923000	120Ω 1/2W N.I.R.
△ kR66	46227400	4.7Ω 1/2W N.I.R.
△ kR67	46227400	4.7Ω 1/2W N.I.R.
△ kR68	46227400	4.7Ω 1/2W N.I.R.
△ kR69	46227400	4.7Ω 1/2W N.I.R.
△ kR70	46740000	0.27Ω 7W Ce.R.
△ kR71	46740000	0.27Ω 7W Ce.R.
△ kR72	46740000	0.27Ω 7W Ce.R.
△ kR73	46740000	0.27Ω 7W Ce.R.
△ kR74	00185500	10Ω 2W N.I.R.
△ kR75	00185500	10Ω 2W N.I.R.
△ kR76	00183600	4.7Ω 1W N.I.R.
△ kR77	00183600	4.7Ω 1W N.I.R.
△ kR78	08922300	33Ω 1/2W N.I.R.
△ kR79	08922300	33Ω 1/2W N.I.R.
kC51	46628100	100μF 50V E.C.
kC52	46887600	1000pF 100V F.C.
kC53	46887600	1000pF 100V F.C.
kC54	46887600	1000pF 100V F.C.
kC55	46887600	1000pF 100V F.C.
kC62	46891600	0.047μF 100V F.C.
kC63	46891600	0.047μF 100V F.C.
kC64	46615100	0.047μF 50V F.C.
kC65	46615100	0.047μF 50V F.C.
kC66	46628500	470μF 50V E.C.
kC67	46628500	470μF 50V E.C.
kL1	46851800	0.5μH Inductor
kL2	46851800	0.5μH Inductor
kVR51	10342100	1kΩ(B) S.V.R., Bias Adj.
kVR52	10342100	1kΩ(B) S.V.R., Bias Adj.

2-19. F-4297 Input Indicator LED Board

Component Side

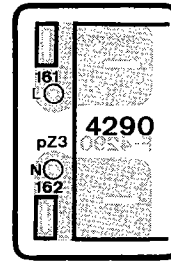


Parts List

Parts No.	Stock No.	Description
nLD2	07246200	LED SEL1710K, MM
nLD3	07246200	LED SEL1710K, MC HIGH
nLD4	07246200	LED SEL1710K, MC LOW
nLD5	07246200	LED SEL1710K, DA
nLD6	03193700	LED SEL110S, REC OUT

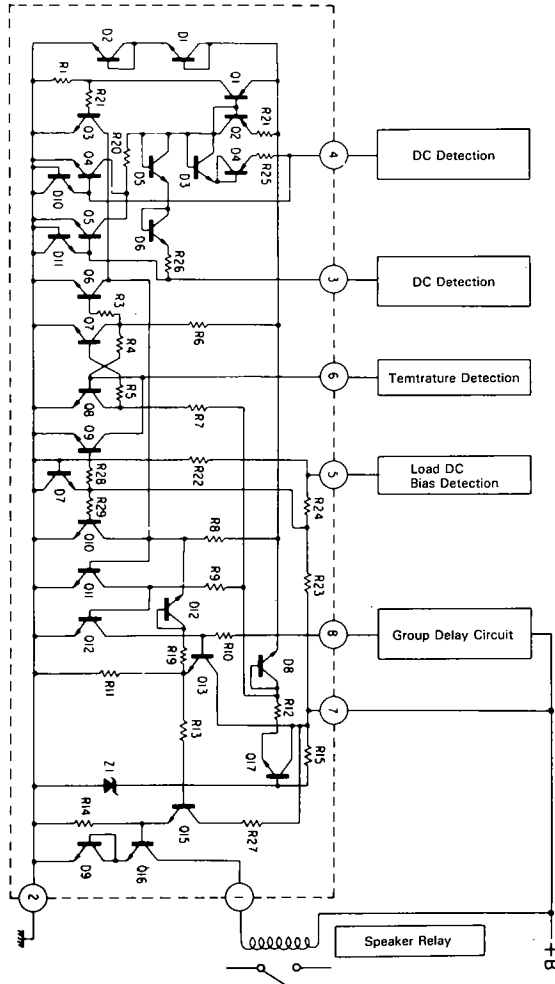
2-20. F-4290 AC Outlet Board (EU)

Component Side

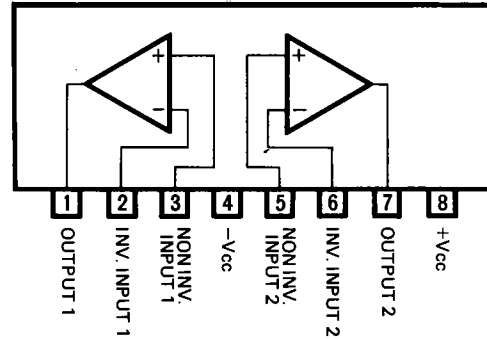


3. INTERIOR BLOCK DIAGRAM OF IC

•HA12002 (Protector IC)

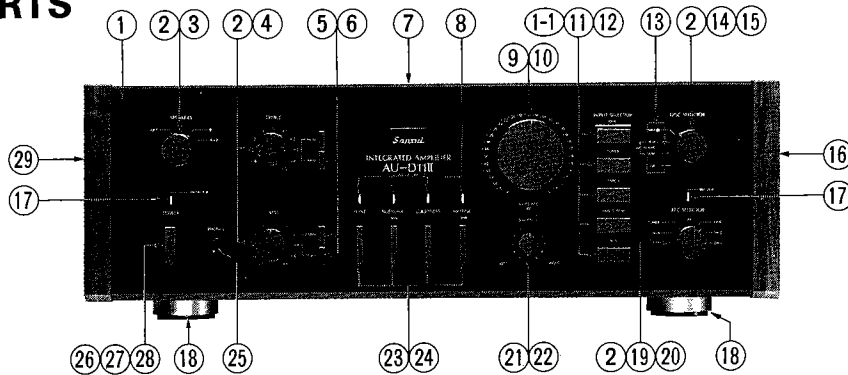


•M5219L (OP Amp. IC)

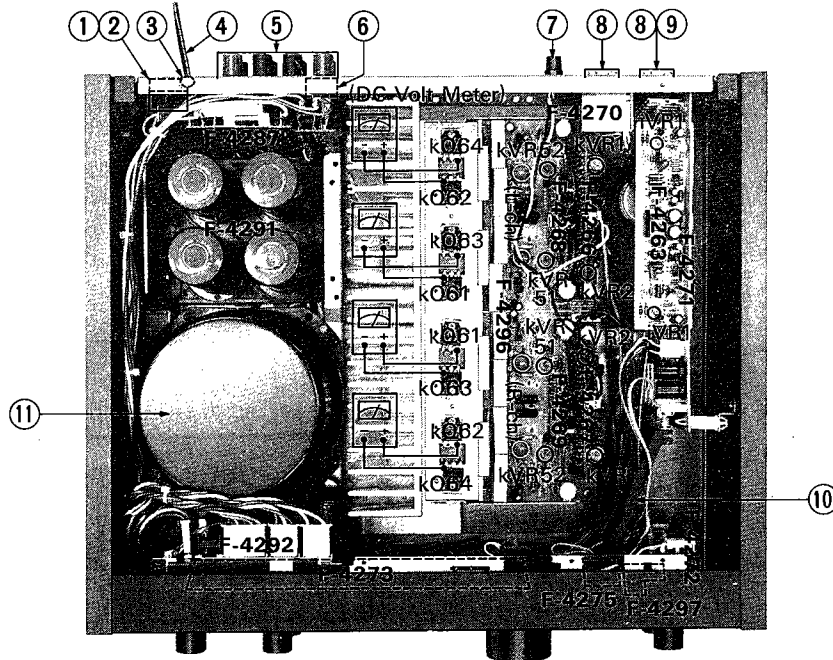


4. OTHER PARTS

4-1. Front View



4-2. Top View



Parts Lis <Front View>

Parts No.	Stock No.	Description
1	47335800	Front Panel Ass'y
1-1	47334100	Push Knob Ass'y, DISK, TUNER, TAPE-1, TAPE-2/PCM, AUX
2	47316400	Knob, SPEAKERS, TREBLE, BASS DISK SELECTOR, REC SELECTOR
3	46730700	Rotary SW., SPEAKERS
4	46731900	100kΩ V.R., BASS, TREBLE
5	47301310	Push Knob, 6kHz, 3kHz, 250Hz, 125Hz
6	46730600	Push SW., 6kHz, 3kHz, 250Hz, 125Hz
7	47332300	Bonnet
8	46176900	LED TLS-123, MUTING, LOUDNESS, SUBSONIC, TONE
9	47316600	Knob, VOLUME
10	46737100	100kΩ V.R., VOLUME
11	46726800	Push SW., INPUT SELECTOR
12	46730000	8V 0.1A Pilot Lamp, DISK, TUNER, TAPE-1, TAPE-2/PCM, AUX
13	07246200	LED SEL1710K, MM, MC HIGH, MC LOW, DA
14	46726510	Rotary SW., DISK SELECTOR
15	07186500	Slide SW., DISK SELECTOR
16	47331400	Side Panel (Right)
17	03193700	LED SEL1110S, REC OUT, PRO-TECTOR
18	47338400	Leg
19	46726610	Rotary SW., REC SELECTOR
20	07200200	Slide SW., REC SELECTOR
21	47316200	Knob, BALANCE
22	46731800	250kΩ V.R., BALANCE
23	47302310	Push Knob, TONE, SUBSONIC, LOUDNESS, MUTING

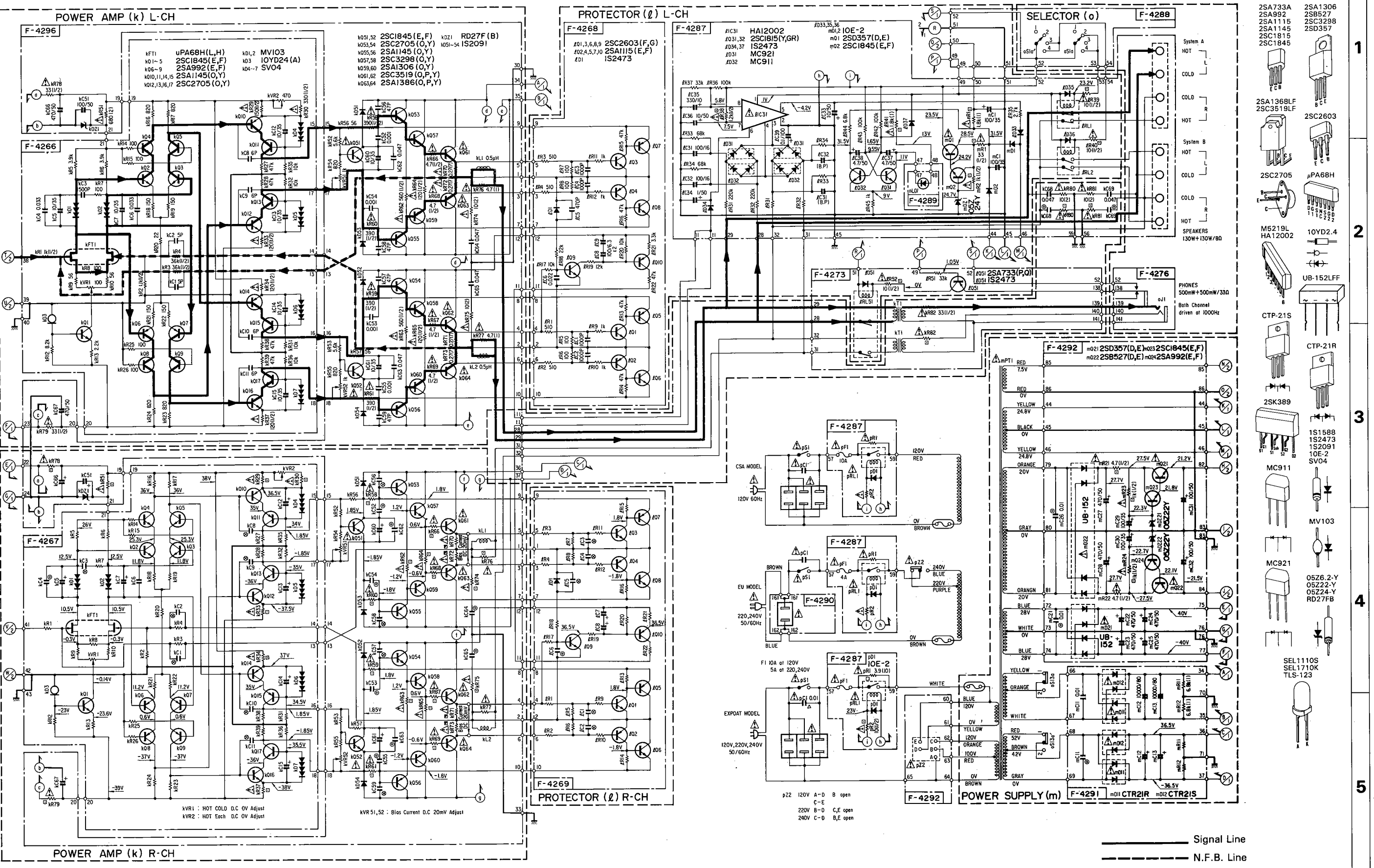
Parts No.	Stock No.	Description
24	46736800	Push SW., TONE SUBSONIC, LOUDNESS, MUTING
25	46078200	Jack, PHONES
26	47302110	Push Knob, POWER
Δ 27	46612900	Push SW., POWER
Δ 28	46425800	0.01μF 400V C.C.
29	47331700	Side Panel (Left)

Parts List <Top View>

Parts No.	Stock No.	Description
Δ 1	07204700	Slide SW., Voltage Selector (EU)
Δ 2	46730400	AC Outlet (XX, CSA)
Δ	46161000	AC Outlet (EU)
3	39106000	Strain Relief (XX)
	39104900	Strain Relief (CSA, EU)
Δ 4	38004700	Power Supply Cord (XX)
Δ	46321000	Power Supply Cord (CSA)
Δ	46128900	Power Supply Cord (EU)
5	46739500	8P Output Terminal, SPEAKERS
Δ 6	46739400	Slide SW., SPEAKER IMPEDANCE (XX, EU)
Δ	46736600	Slide SW., SPEAKER IMPEDANCE (CSA)
7	22301900	GND Terminal
8	46684900	2P Input Terminal, MM/MC, DA
9	46685200	6P Terminal, TUNER, TAPE-1/2, AUX
10	47301200	Joint Shaft
Δ 11	15014201	Power Transformer (XX)
Δ	15014203	Power Transformer (CSA)
Δ	15014205	Power Transformer (EU)

SCHEMATIC DIAGRAM 5-1. Power Amp. Section

*Design and specifications subject to change without notice for improvement.
 *La présentation et les spécifications sont susceptibles d'être modifiées sans préavis par suites d'améliorations éventuelles.
 *Änderungen, die dem technischen Fortschritt dienen, bleiben vorbehalten.



- | | | |
|-----------|-----------|--|
| 2SA733A | 2SA1306 | |
| 2SA992 | 2SB527 | |
| 2SA1115 | 2SC3298 | |
| 2SA1145 | 2SC1815 | |
| 2SC1815 | 2SC1845 | |
| 2SC1845 | | |
| 2SA1368LF | 2SC3519LF | |
| 2SC2603 | | |
| 2SC2705 | uPA68H | |
| MS219L | 10YD2.4 | |
| HA12002 | | |
| | UB-152LFF | |
| CTP-21S | | |
| CTP-21R | | |
| 2SK389 | | |
| MC911 | | |
| MC921 | | |
| 05Z26-Y | | |
| 05Z22-Y | | |
| 05Z24-Y | | |
| RD27FB | | |
| SEL1110S | | |
| SEL1710K | | |
| TLS-123 | | |

1
2
3
4
5

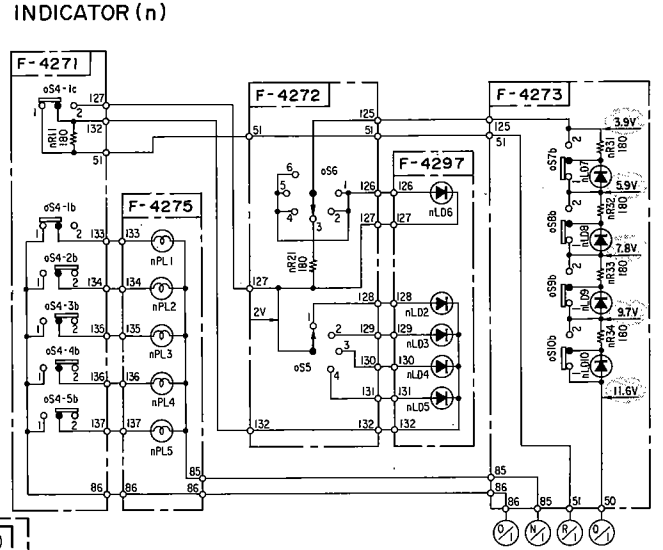
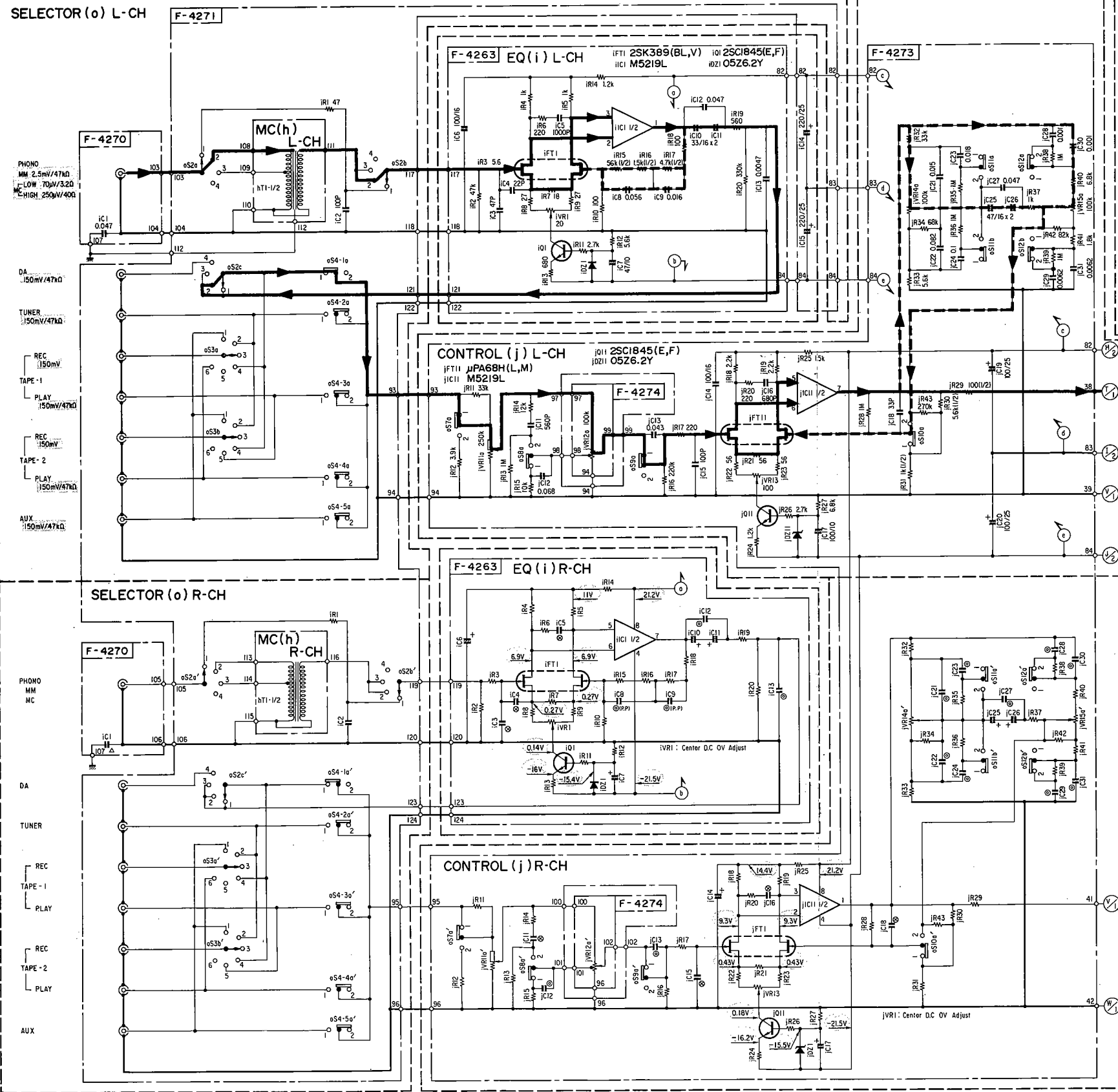
p22 120V A-D B open
 C-E
 220V B-D C,E open
 240V C-D B,E open

— Signal Line
 - - - N.F.B. Line

Pre Amp. Section

*Design and specifications subject to change without notice for improvement.
 *La présentation et les spécifications sont susceptibles d'être modifiées sans préavis par suites d'améliorations éventuelles.
 *Änderungen, die dem technischen Fortschritt dienen, bleiben vorbehalten.

2



- SWITCHES & CONTROLS**
- SELECTOR
 - S1a,b SPEAKERS
 - 1. OFF
 - 2. A
 - 3. B
 - 4. A+B
 - S2a-c, SS DISC SELECTOR
 - 1. MM
 - 2. MC HIGH
 - 3. MC LOW
 - 4. DA
 - S3a,b, S6 REC SELECTOR
 - 1. AUX
 - 2. TUNER
 - 3. OFF
 - 4. DISC
 - 5. 1 > 2
 - 6. 2 > 1
 - S4-1a-5b INPUT SELECTOR
 - 1-1 DISC
 - 2-1 TUNER
 - 3-1 TAPE PLAY 1
 - 4-1 TAPE PLAY 2
 - 5-1 AUX
 - S7a,b MUTING
 - 1. OFF
 - 2. -20dB
 - S8a,b LOUDNESS
 - 1. OFF
 - 2. ON
 - S9a,b SUBSONIC
 - 1. OFF
 - 2. 16Hz
 - S10a,b TONE
 - 1. OFF
 - 2. ON
 - S11a,b BASS
 - 1. 250Hz
 - 2. 125Hz
 - S12a,b TREBLE
 - 1. 6KHz
 - 2. 3KHz
 - S13a,b SPEAKER IMPEDANCE SELECTOR
 - A or B [8-16 - 1 - 16] A+B
 - 4-6 - 2 - 8-16] A+B
 - VR1 BALANCE
 - VR2 VOLUM
 - VR4 BASS
 - VR5 TREBLE
- SYMBOL**
- ▲ Ceramic
 - (B.P) Bi-Polar Electrolytic
 - ⊙ Film
 - ⊙ P.P.P Polypropylene
 - ⊙ Meliolized Paper
 - ⊙ Polystyrene
 - ⊙ Non-Inductance Resistor
 - ⊙ Cement Resistor
- RESISTORS**
- Are in ohms, 1/4 Watts, ± 5%
 Tolerance Unless otherwise
 Noted. k: kΩ, M: MΩ
- CAPACITORS**
- Are in μF, Unless otherwise
 Noted, P: pF
- TOLERANCE**
- G: ± 2%, F: ± 1%
- ▲ is Safety Part.
- Use only replacement parts recommended by the manufacturer.
- Each D.C. Voltage shows the nominal Value in Volt of no input signal.

- 2SA733A
- 2SA992
- 2SA1115
- 2SA1145
- 2SC1815
- 2SC1845
- 2SA1306
- 2SB527
- 2SC3298
- 2SD357
- 2SA1368LF
- 2SC3519LF
- 2SC2603
- 2SC2705
- μPA68H
- M5219L
- HA12002
- 10YD2.4
- UB-152LFF
- CTP-21S
- CTP-21R
- 2SK389
- MC911
- MC921
- MV103
- 05Z6-2-Y
- 05Z22-Y
- 05Z24-Y
- RD27FB
- SEL1110S
- SEL1710K
- TLS-123

— Signal Line
 - - - N.F.B. Line

1
 2
 3
 4
 5

6. ADJUSTMENT

- Condition:**
1. Master Volume Minimum
 2. Room Temperature 18°C ~ 28°C (65°F ~ 83°F)
 3. Test Equipment DC Volt Meter
 4. For this adjustment, run the unit for more than 3 minutes after the power is switched ON.

6-1. F-4263 Equalizer Amp. Circuit Adjustment (Refer to Top View on Page 11)

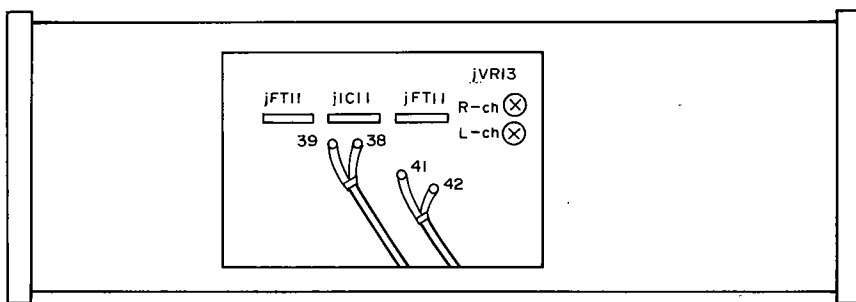
STEP	SUBJECT	MESURE OUTPUT	ADJUST	ADJUST FOR
1	Center DC 0V Adj. <L-ch>	DC Voltage between Test Point TP2 on F-4263 and GND.	iVR1 <L-ch> F-4263	DC 0±5mV
2	Center DC 0V Adj. <R-ch>	DC Voltage between Test Point TP1 on F-4263 and GND.	iVR1 <R-ch> F-4263	DC 0±5mV

6-2. F-4273 Tone Control Amp. Circuit Adjustment (Refer to Fig. 6-1)

Note: For this adjustment, removal of the front panel is required.

STEP	SUBJECT	MESURE OUTPUT	ADJUST	ADJUST FOR
1	Center DC 0V Adj. <L-ch>	DC Voltage between Output Terminals No. 38 and 39 on F-4273.	jVR13 <L-ch> F-4273	DC 0±5mV
2	Center DC 0V Adj. <R-ch>	DC Voltage between Output Terminals No. 41 and 42 on F-4273.	jVR13 <R-ch> F-4273	DC 0±5mV

Fig. 6-1 Front View

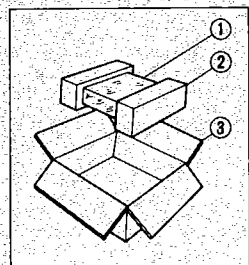


6-3. Power Amp. Circuit Adjustment (Refer to Top View on Page 11)

STEP	SUBJECT	MESURE OUTPUT	ADJUST	ADJUST FOR
1	Hot/Cold Balance Adj. <L-ch>	DC Voltage between Speaker Terminals HOT and COLD. <L-ch>	kVR1 F-4266	DC 0±5mV
2	Hot/Cold Balance Adj. <R-ch>	DC Voltage between Speaker Terminals HOT and COLD. <R-ch>	kVR1 F-4267	DC 0±5mV
3	Center DC 0V Adj. <L-ch>	DC Voltage between Speaker Terminal HOT and GND. <L-ch>	kVR2 F-4266	DC 0±5mV
4	Center DC 0V Adj. <R-ch>	DC Voltage between Speaker Terminal HOT and GND. <R-ch>	kVR2 F-4267	DC 0±5mV
5	Bias Current Adj. <Hot Side Amp. of L-ch>	DC Voltage between Emitters of power transistors (kQ62 & kQ64). <L-ch>	kVR52 <L-ch> F-4296	DC 20±2mV
6	Bias Current Adj. <Cold Side Amp. of L-ch>	DC Voltage between Emitters of power transistors (kQ61 & kQ63). <L-ch>	kVR51 <L-ch> F-4296	DC 20±2mV
7	Bias Current Adj. <Hot Side Amp. of R-ch>	DC Voltage between Emitters of power transistors (kQ62 & kQ64). <R-ch>	kVR52 <R-ch> F-4296	DC 20±2mV
8	Bias Current Adj. <Cold Side Amp. of R-ch>	DC Voltage between Emitters of power transistors (kQ61 & kQ63). <R-ch>	kVR51 <R-ch> F-4296	DC 20±2mV

7. PACKING LIST

Parts No.	Stock No.	Description
1	91167720	Vinyl Bag
2	47332800	Styrofoam Packing
3	47330200	Carton Case



8. ACCESSORY LIST

Stock No.	Description
46729000	Operating Instruction
46894400	Connection Diagram



SANSUI ELECTRIC CO., LTD.:
 SANSUI ELECTRONICS CORPORATION:
 SANSUI ELECTRONICS (U.K.) LTD.:
 SANSUI ELECTRONICS G.M.B.H.:

14-1, Izumi 2-chome, Suginami-ku, Tokyo 168 Japan
 PHONE: (03) 324-8891/TELEX: 232-2076 (International Division)
 1250 Valley Brook Ave. Lyndhurst, N.J. 07071 U.S.A.
 17150 South Margay Ave. Carson, California 90746 U.S.A.
 3306 Koapaka St. Honolulu, Hawaii 96819 U.S.A.
 Unit 10A, Lyon Industrial Estate, Rockware Avenue, Geenford, Middx UB6. 0AA, England
 Pau Ehrich-Strasse 8, 6074 Rödermark 2, West Germany