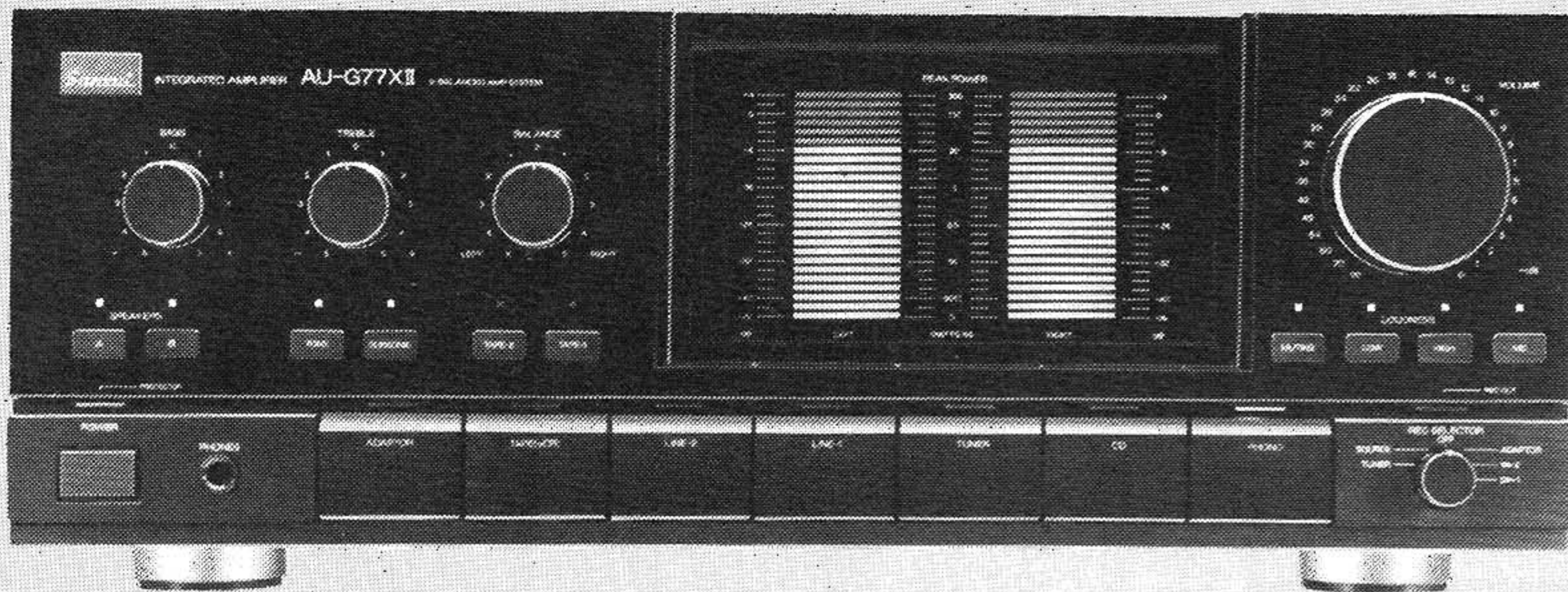


SERVICE MANUAL

INTEGRATED AMPLIFIER

SANSUI AU-G77XII



CAUTION

1. Parts identified by the \triangle symbol on the schematic diagram and the parts list are critical for safety. Use only replacement parts that have critical characteristics recommended by the manufacturer.
2. Make leakage-current or resistance measurements to determine that exposed parts are acceptably insulated from the supply circuit before returning the appliance to the customer.

•SPECIFICATIONS

Power output

Min. RMS, both channels driven, from 20 to 20,000 Hz, with no more than 0.008% total harmonic distortion.

110 watts per channel into 8 ohms.

Load impedance..... 4 to 16 ohms

Total harmonic distortion

..... less than 0.008% at or below rated min. RMS power output

Intermodulation distortion

(60 Hz: 7 kHz=4:1 SMPTE method)

..... less than 0.01% at rated power output

Frequency response (at 1 watt)

Overall (from CD)..... 5 to 100,000 Hz, +0 dB
-3.0 dB

RIAA curve deviation (PHONO-MM, 20 Hz to 20 kHz)

..... +0.5 dB, -0.5 dB

Input sensitivity and impedance (at 1 kHz)

PHONO (MC)..... 300 μ V/100 ohms

PHONO (MM)..... 2.5 mV/47 kohms

(Max. input capability; 150 mV at 1 kHz, less than 0.1% total harmonic distortion)

CD..... 150 mV/47 kohms

TUNER, LINE-1, 2, TAPE PLAY-1, 2, ADAPTOR

..... 150 mV/47 kohms

Output level (1 kHz)

TAPE REC-1, 2..... 150 mV into 47 kohms

Signal to noise ratio (short-circuit, A-network)

PHONO (MC)..... 70 dB

PHONO (MM)..... 87 dB

CD..... 100 dB

TUNER, LINE-1, 2, TAPE PLAY-1, 2

..... 100 dB

Controls and Filter

BASS..... \pm 8 dB at 50 Hz

TREBLE..... \pm 8 dB at 10 kHz

SUBSONIC..... -3 dB at 16 Hz (6 dB/oct)

MUTING..... -20 dB

LOUDNESS (LOW)..... +10 dB at 50 Hz

(HIGH)..... +6 dB at 10 kHz

(VOLUME: -30 dB position)

Power requirements

Power voltage..... 120/220/240 V (50/60 Hz)

For U.S.A. & Canada

..... 120 V (60 Hz)

Power consumption.... 370 watts 470 VA Rated

550 watts Maximum

Dimensions..... 430 mm (16-15/16") W

160 mm (6-5/16") H

425 mm (16-3/4") D

Weight..... 14.3 kg (31.5 lbs) net

16.0 kg (35.3 lbs) packed

* Design and specifications subject to changes without notice for improvements.

* Due to local laws and regulations, this unit sold in some areas are not equipped with variable voltage selectors.

Sansui

SANSUI ELECTRIC CO., LTD.

NOTE

1. The symbols, UL, CSA, SA, BS, UK, EU, AS, SEV, XX <EXPORT> and XX-V <EXPORT(V)> on the parts list and the schematic diagram mean followings respectively.

- UL..... Manufactured for U.S.A market.
(Underwriters Laboratories approved model.)
- CSA Manufactured for Canadian market.
- SA..... Manufactured for South African market.
- BS, UK Manufactured for United Kingdom market.
- EU Manufactured for European market.
- AS..... Manufactured for Australian market.
- SEV Manufactured for Swiss market.
- XX..... Standard Version with Inner Voltage Selector.
<EXPORT >
- XX-V Standard Version with Outer Voltage Selector.
<EXPORT(V)>
- NON MARK Common Parts.

2. Some printed circuit boards are not supplied assembled. To separate these in this service manual, the stock numbers are not indicated for these boards. However, stock numbers for individual parts are indicated.

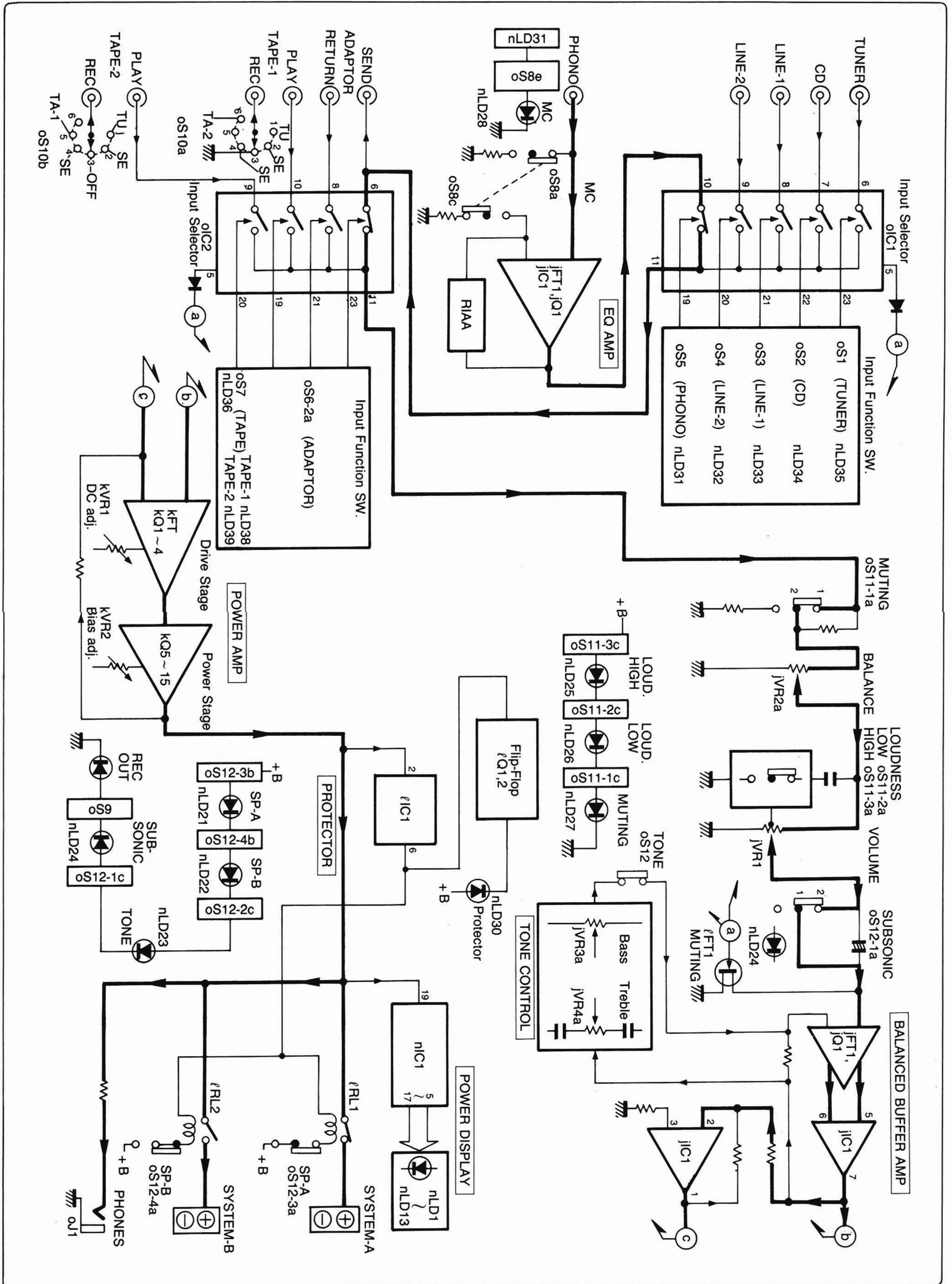
3. Since some capacitors and resistors are omitted from parts lists in this service manual, refer to the Common Parts List for capacitors & resistors, which was issued on February 1983.

4. Abbreviations in this service manual are as follows.

•Abbreviations List

C.R. : Carbon Resistor	E.B. : Bi-Polar Electrolytic Capacitor
S.R. : Solid Resistor	E.B.L. : Low Leakage Bi-Polar Electrolytic Capacitor
W.R. : Wire Wound Resistor	Ta.C. : Tantalum Capacitor
M.R. : Metal Film Resistor	F.C. : Film Capacitor
F.R. : Fusing Resistor	M.P. : Metallized Paper Capacitor
N.I.R. : Non-Inflammable Resistor	P.C. : Polystyrene Capacitor
R.A. : Resistor Array	C.A. : Capacitor Array
C.C. : Ceramic Capacitor	V.R. : Variable Resistor
C.T. : Ceramic Capacitor, Temperature Compensation	SW. : Switch
E.C. : Electrolytic Capacitor	Chip R. : Chip Resistor
E.L. : Low Leakage Electrolytic Capacitor	Chip C. : Chip Capacitor

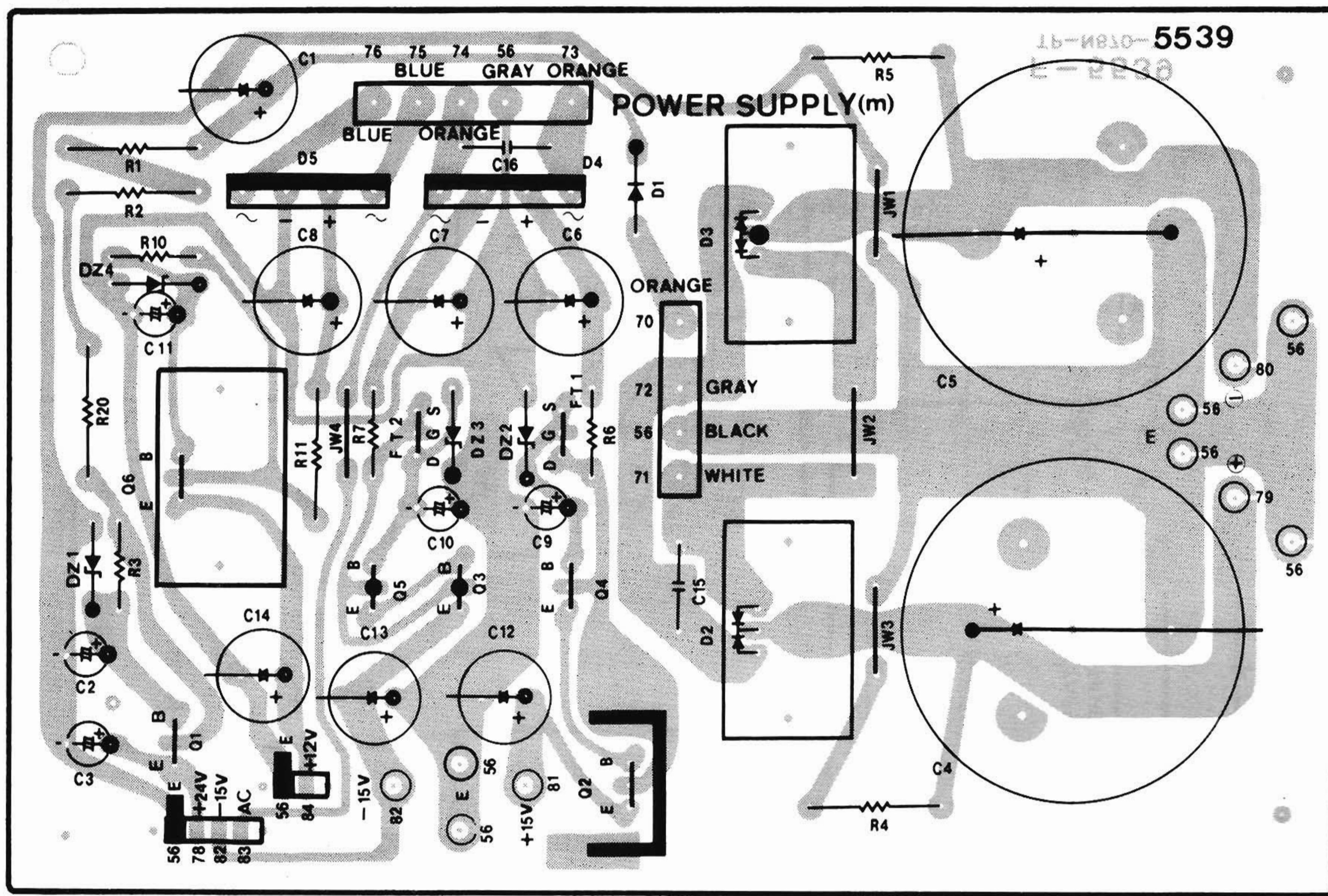
1. BLOCK DIAGRAM



2. PARTS LOCATION ON BOARD

2-1. F-5539 Power Supply Board

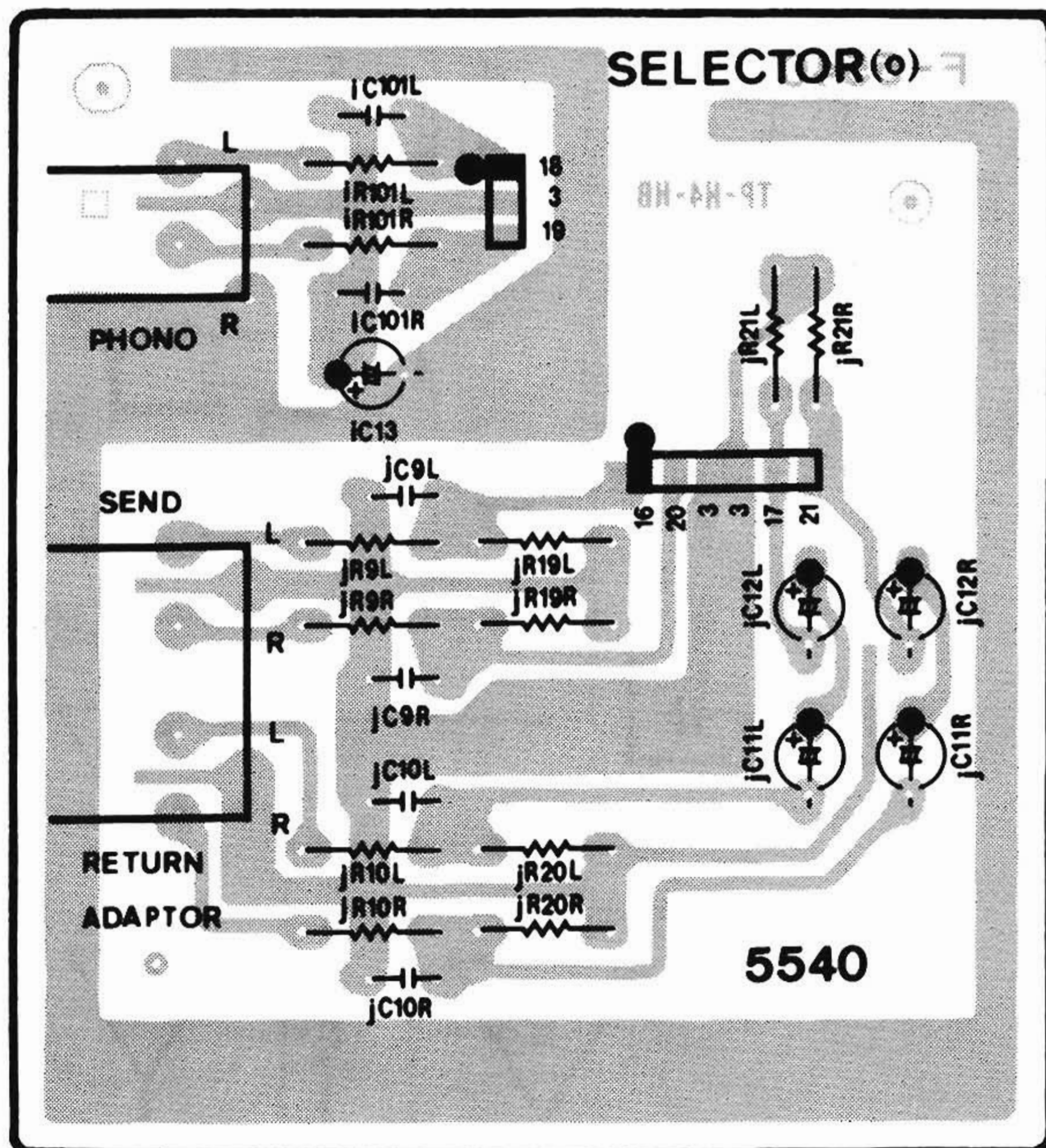
Component Side



2-2. F-5540 PHONO/ADAPTOR Input

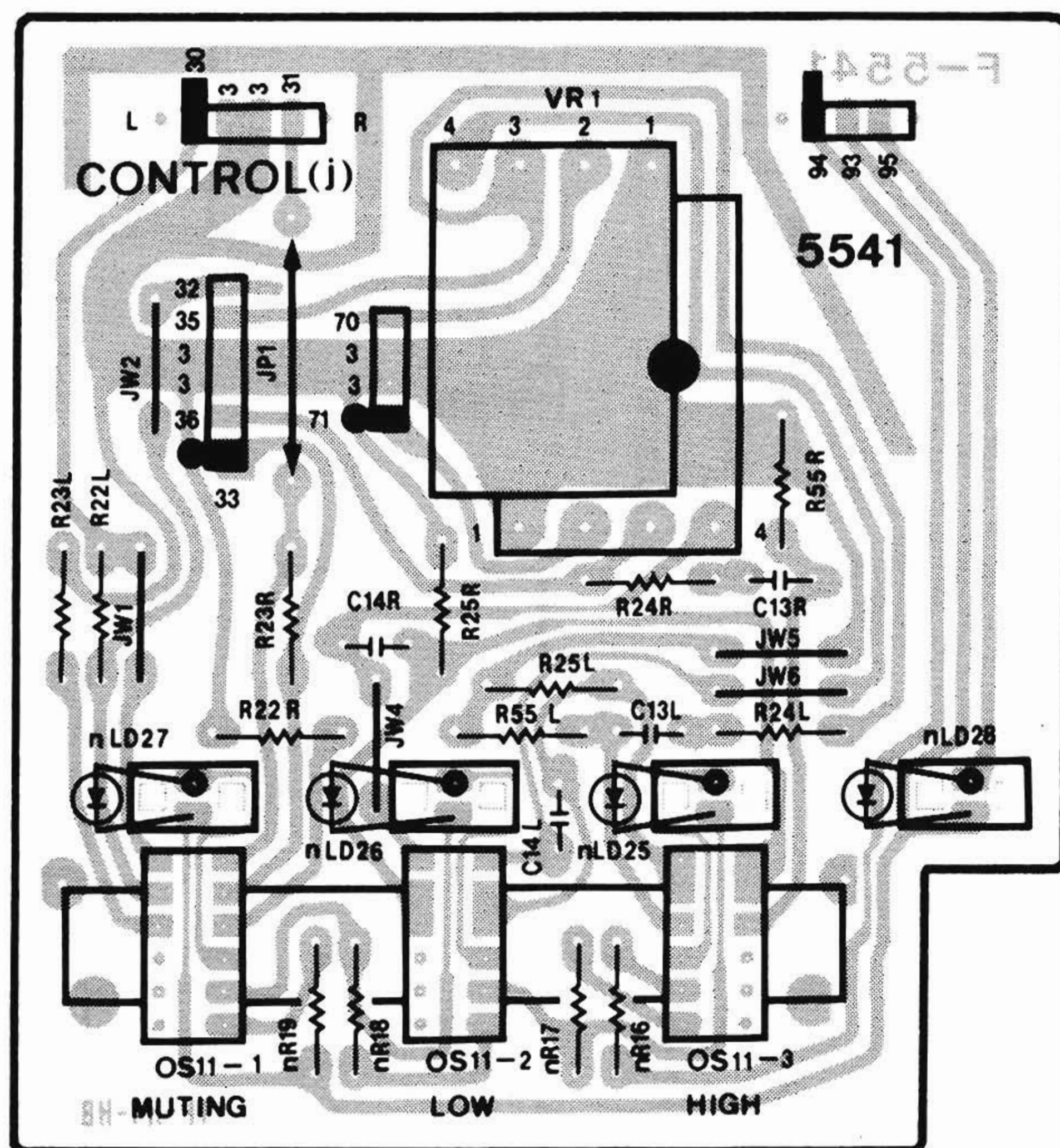
Component Side

Terminal Board



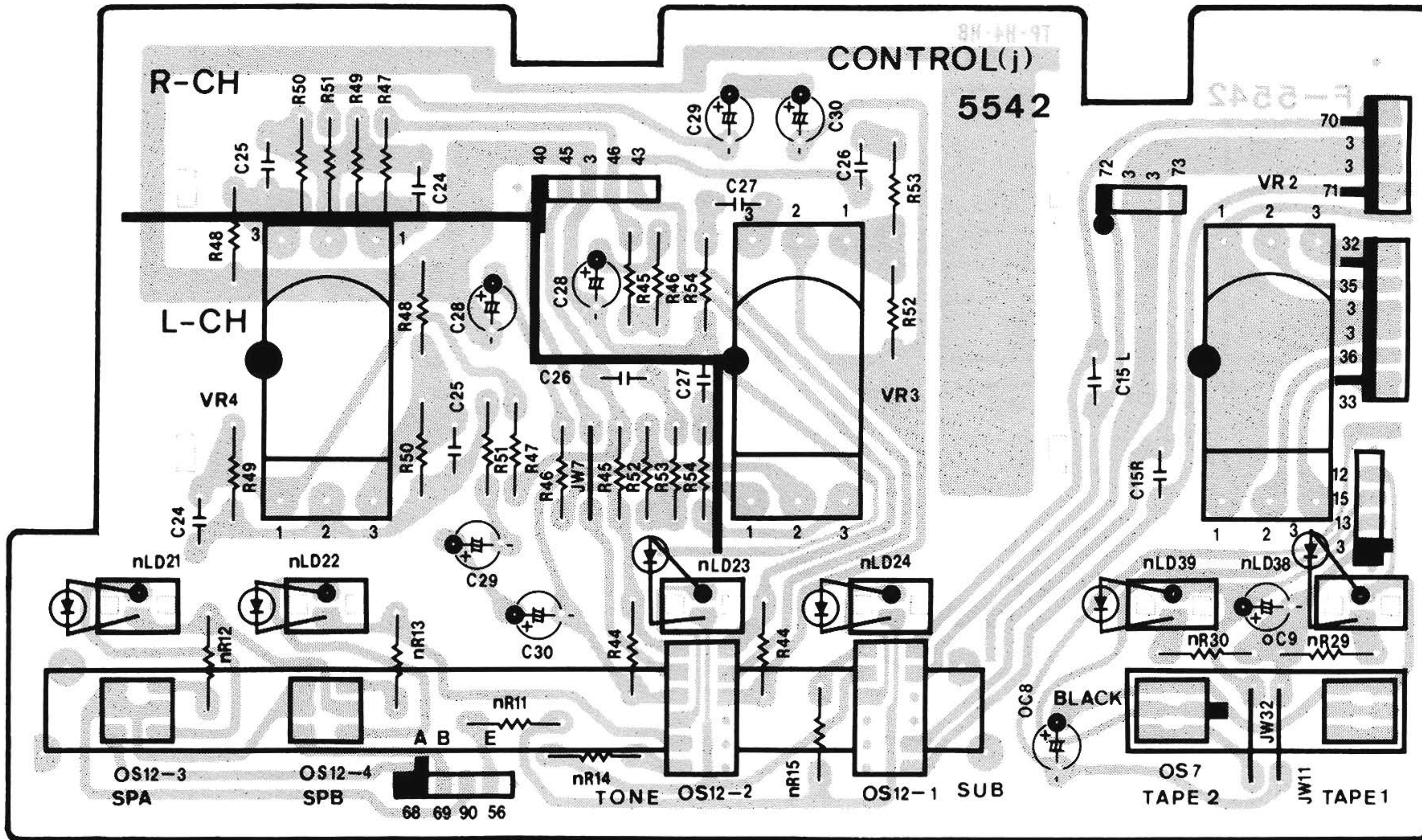
2-3. F-5541 Master Volume Board

Component Side



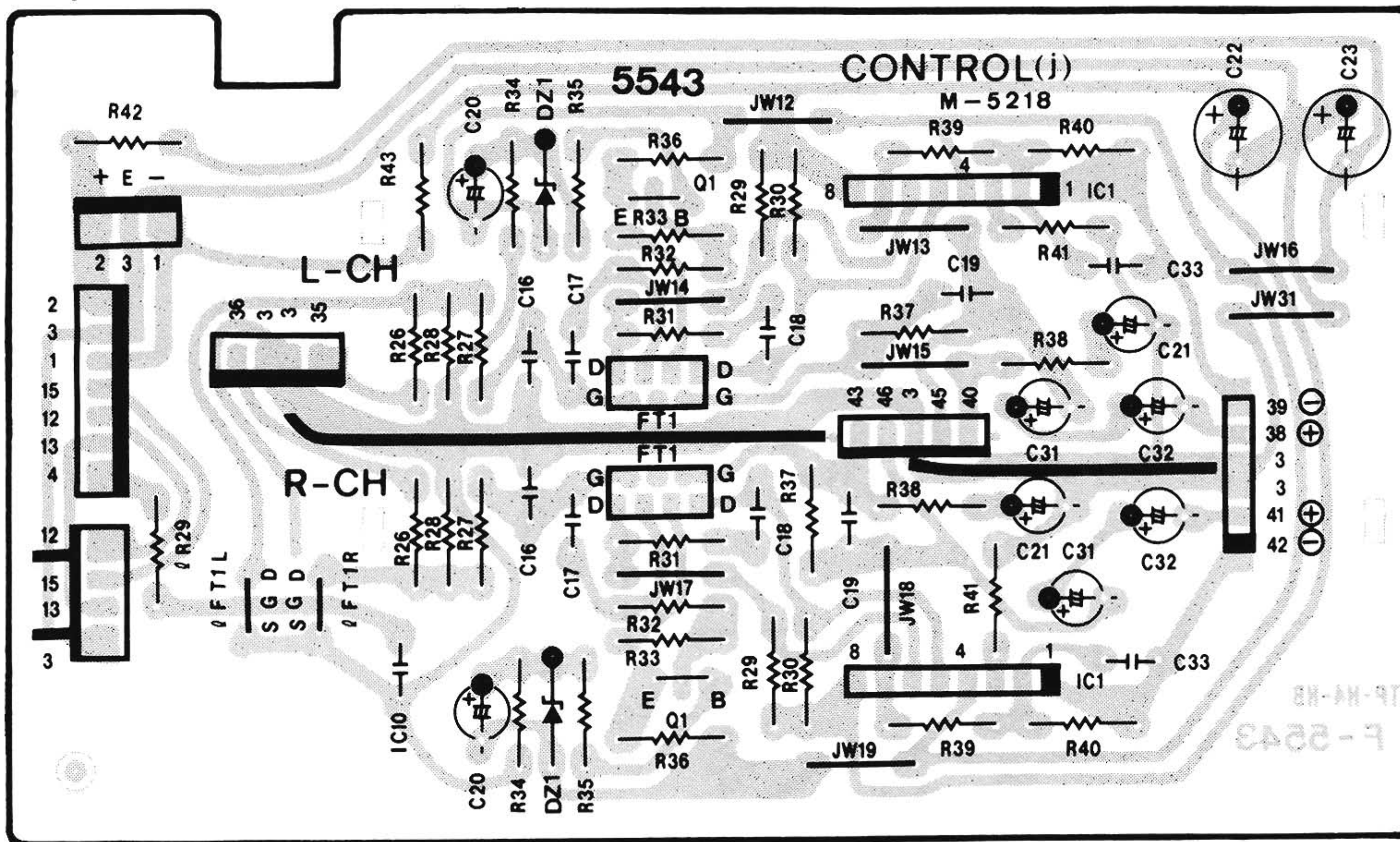
2-4. F-5542 Tone Control Board

Component Side



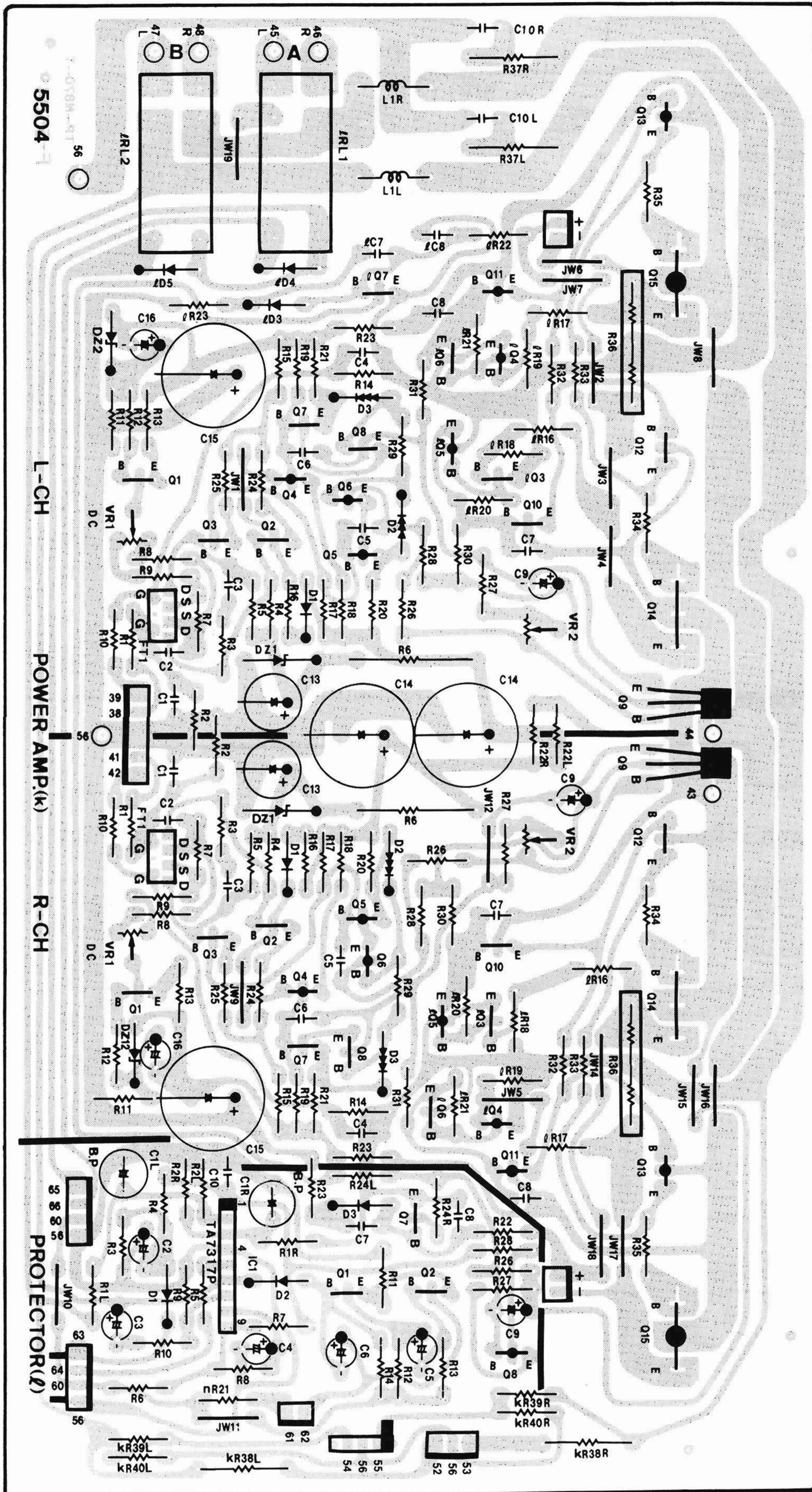
2-5. F-5543 Tone Control Amp. Board

Component Side

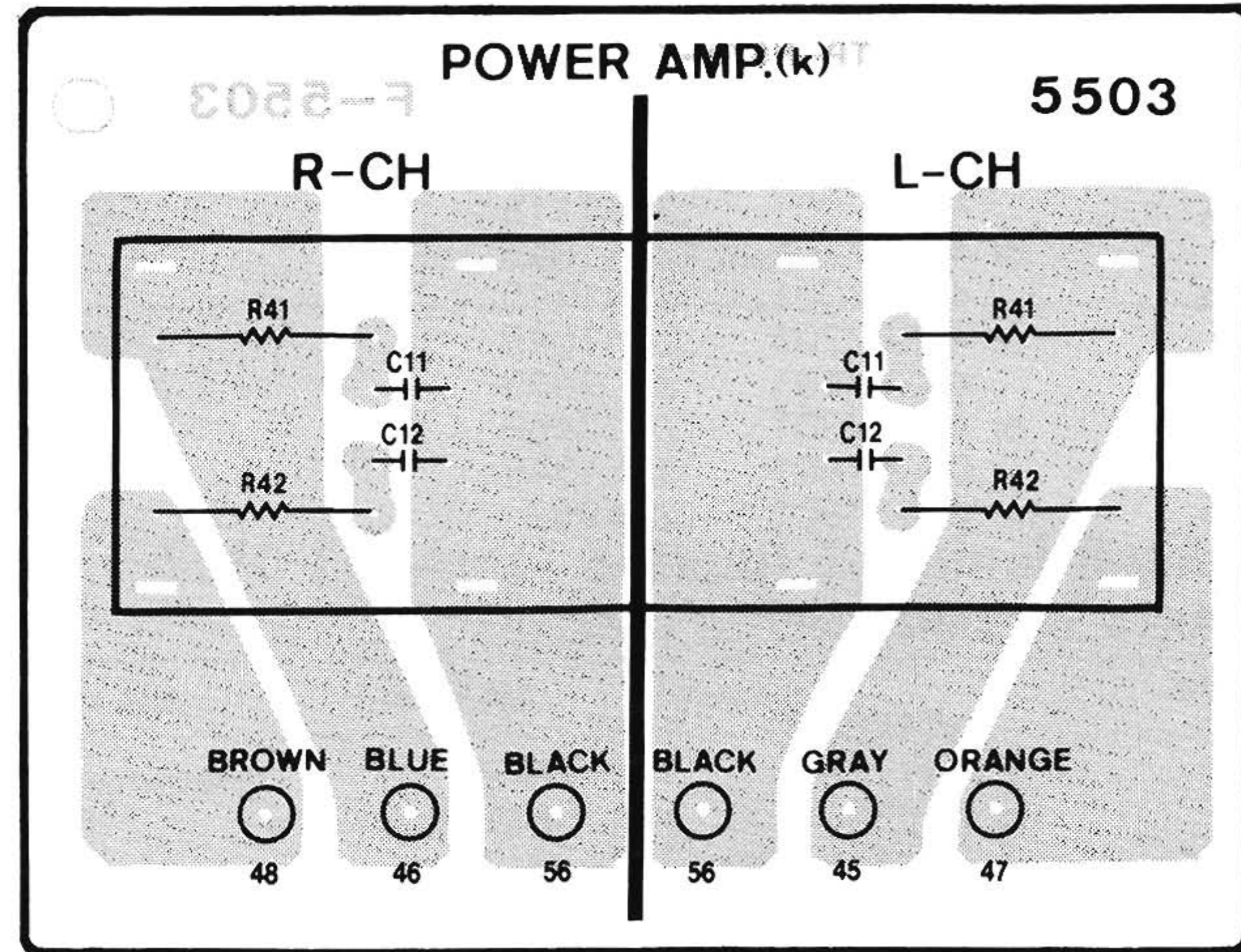


2-6. F-5504 Power Amp. Board

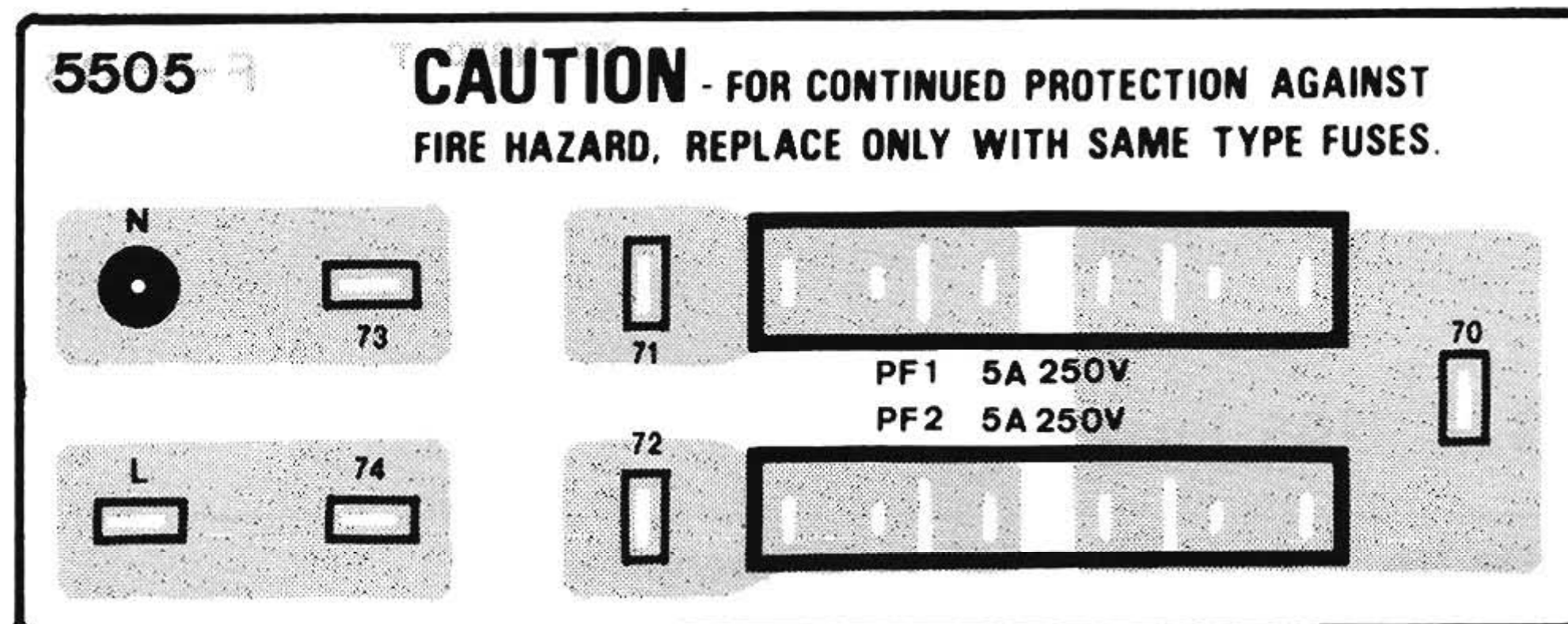
Component Side



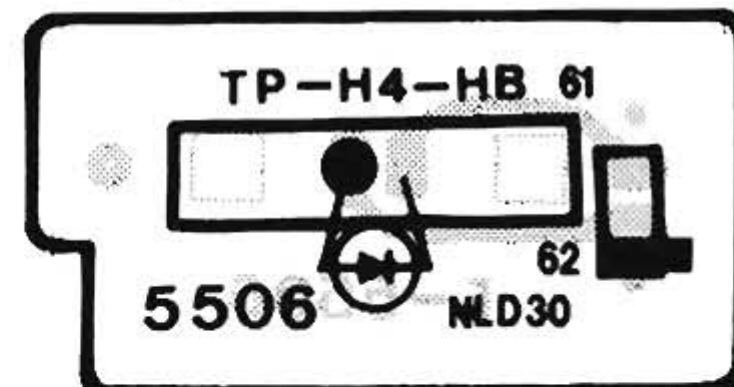
2-7. F-5503 Speaker Terminal Board
Component Side



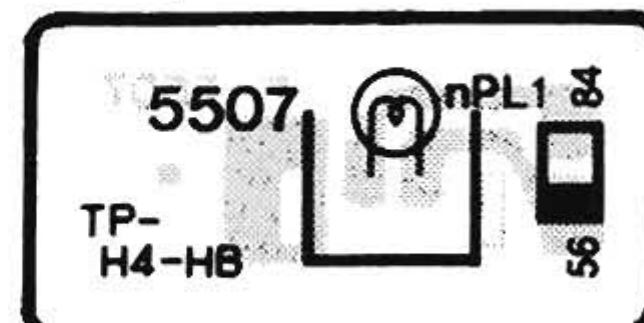
2-8. F-5505 Fuse Board
Component Side



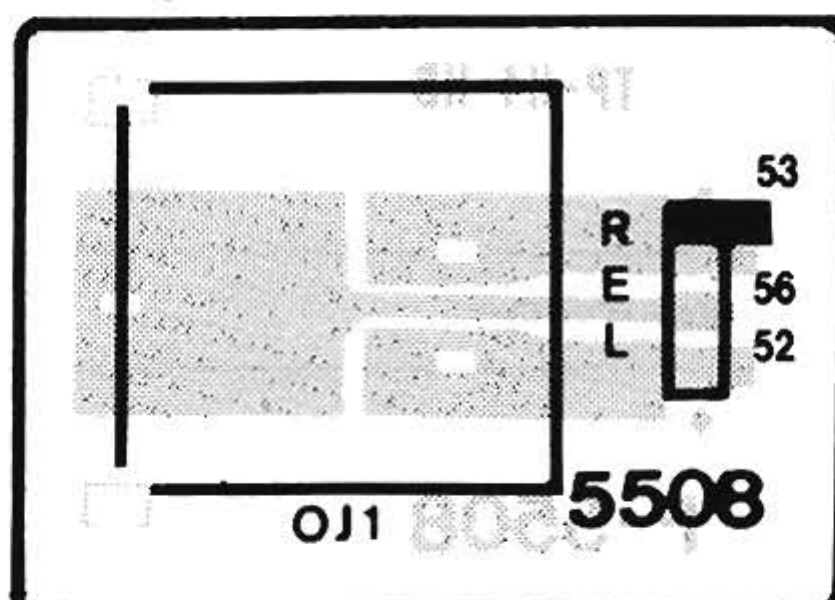
2-9. F-5506 Protector Indicator Board
Component Side



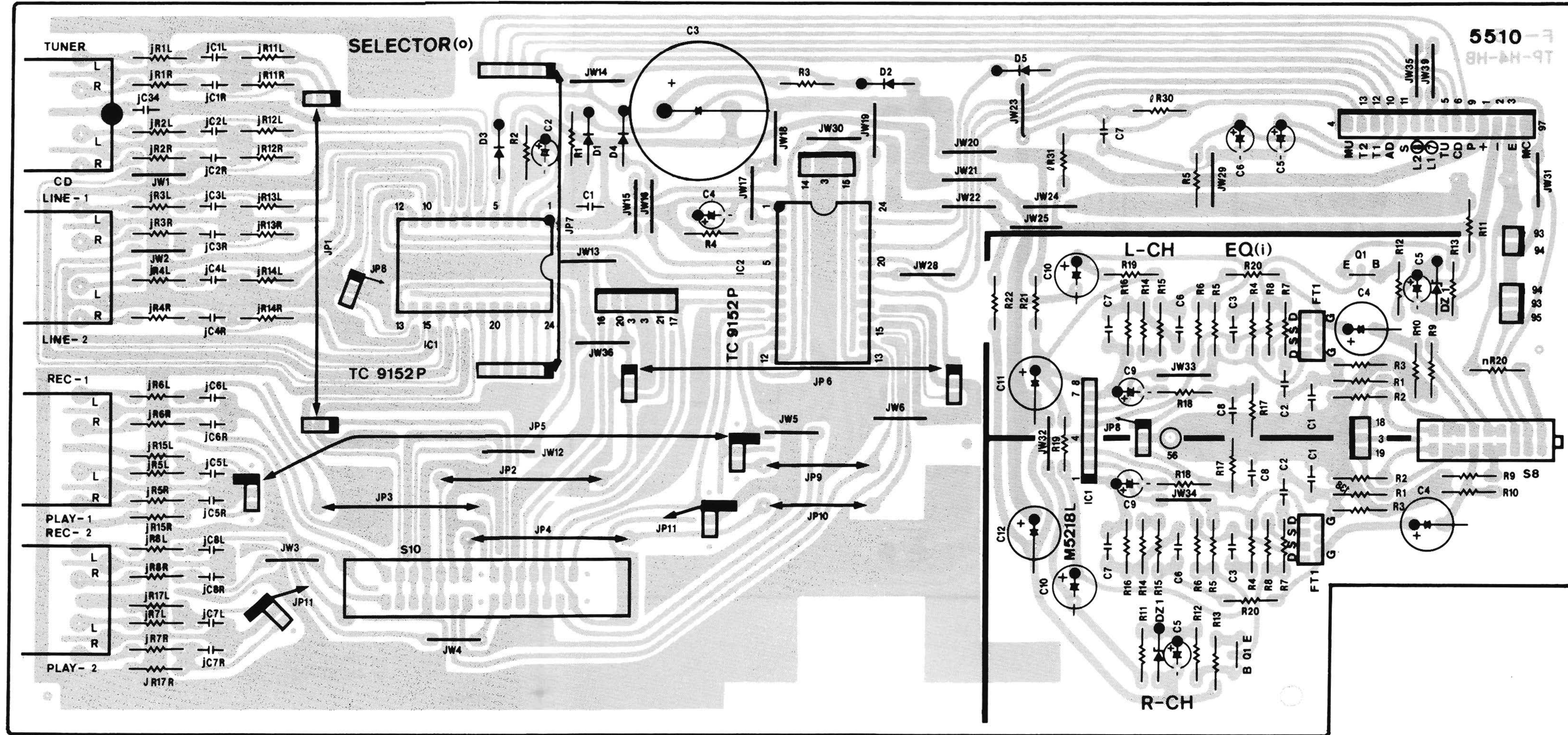
2-10. F-5507 Power Meter Lamp Board
Component Side



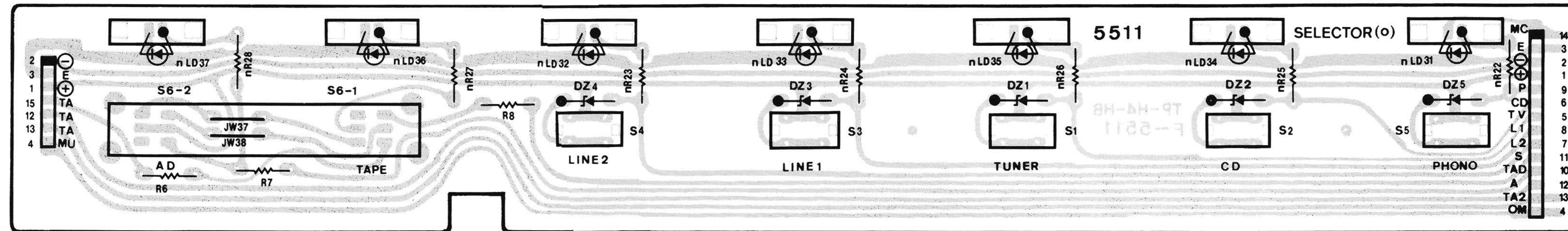
2-11. F-5508 Phones Jack Board
Component Side



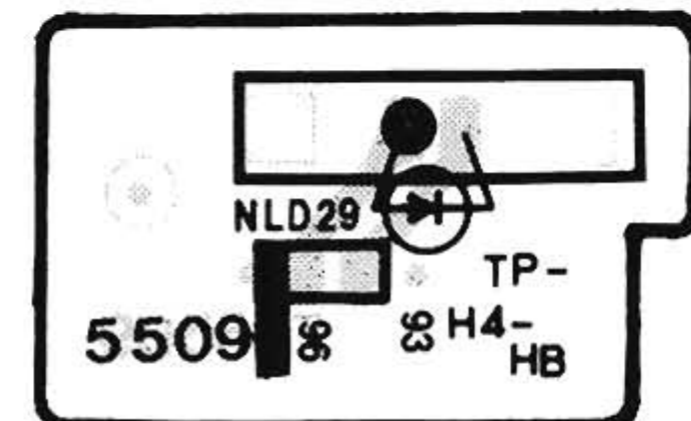
2-12. F-5510 EQ Amp. & Input Terminal Board
Component Side



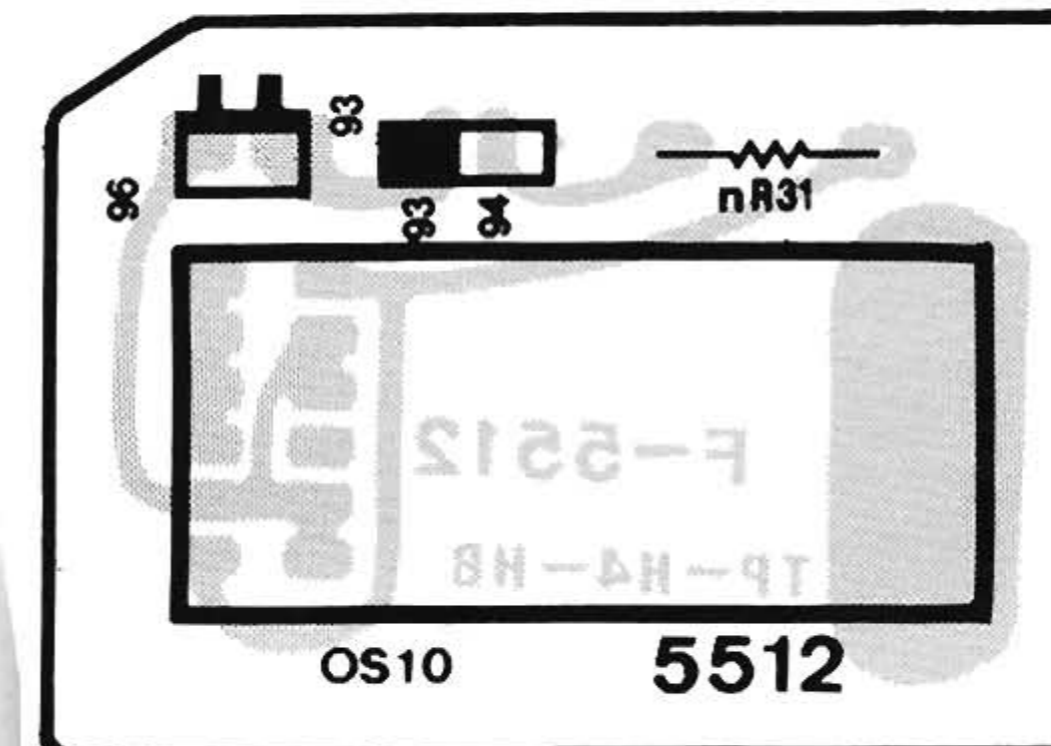
2-13. F-5511 Input Function Switch Board
Component Side



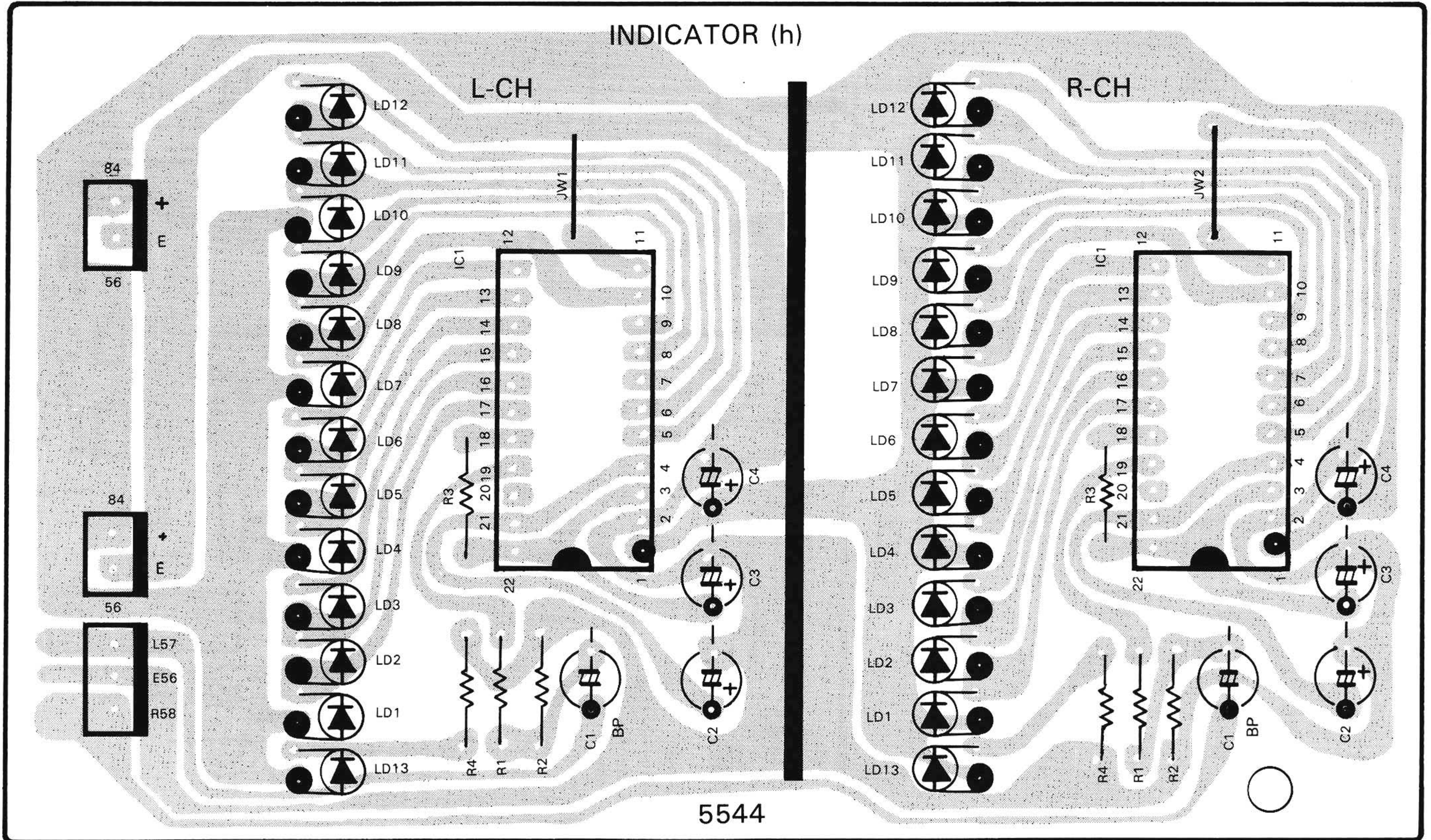
2-14. F-5509 REC OUT Indicator Board
Component Side



2-15. F-5512 REC SELECTOR Board
Component Side



2-16. F-5544 Power Display Board
Component Side



3. ELECTRIC PARTS LIST OF BOARD

3-1. F-5503 Speaker Terminal Board

Parts No.	Stock No.	Description
kR41	46623500	22Ω 2W N.I.R.
kR42	46623500	22Ω 2W N.I.R.
kC11	46696800	0.047μF 50V F.C.
kC12	46696800	0.047μF 50V F.C.
oZ1	48569100	8P Terminal, Speaker

3-2. F-5504 Power Amp. Board (Stock No. 01009201)

Parts No.	Stock No.	Description
•Transistor		
kQ1	46581701	2SC1845
kQ2	46581701	2SC1845
kQ3	46581701	2SC1845
kQ4	46728201	2SA1145
kQ5	46728201	2SA1145
kQ6	46728201	2SA1145
kQ7	46728301	2SC2705
kQ8	46728301	2SC2705
△kQ9	03067401	2SC1845
kQ10	46728301	2SC2705
kQ11	46728201	2SA1145
kQ12	46728901	2SC3298
kQ13	46728801	2SA1306
△kQ14	48571601	2SC2922
△kQ15	48571501	2SA1216
•FET		
kFT1	46723601	2SK389-BL
	or 46723602	2SK389-V
	or 48785701	2SK389-BK
	or 48785702	2SK389-VK
•Diode		
kD1	03117600	1S2473T77
	or 46086000	1S1588TP-3
kD2	03401700	Varistor MV103
kD3	03401700	Varistor MV103
•Zener Diode		
kDZ1	03171500	RD22F
kDZ2	46111800	05Z6.2-Y
kR4	48029100	3.9kΩ 1/4W C.R.
kR5	48029100	3.9kΩ 1/4W C.R.
△kR6	46910500	1.8kΩ 3W N.I.R.
△kR16	46230200	1kΩ 1/2W N.I.R.
△kR17	46230200	1kΩ 1/2W N.I.R.
△kR18	46230200	1kΩ 1/2W N.I.R.
△kR19	46230200	1kΩ 1/2W N.I.R.
△kR20	46229100	120Ω 1/2W N.I.R.
△kR21	46229100	120Ω 1/2W N.I.R.
△kR22	46229000	100Ω 1/2W N.I.R.
△kR23	46229000	100Ω 1/2W N.I.R.
△kR32	46229900	560Ω 1/2W N.I.R.
△kR33	46229100	120Ω 1/2W N.I.R.
△kR34	46227400	4.7Ω 1/2W N.I.R.
△kR35	46227400	4.7Ω 1/2W N.I.R.
△kR36	48197100	0.33Ω + 0.33Ω 7W W.R.
kR37	46623100	10Ω 2W N.I.R.
kR38	46624700	220Ω 2W N.I.R.
kC3	46655600	1000pF 100V F.C.
kC10	46696800	0.047μF 50V F.C.
kL1	46851901	0.82μH Filter Coil
kVR1	46738100	100Ω S.V.R., DC 0V
kVR2	46738400	1kΩ S.V.R., Bias
•Transistor		
IQ1	46367101	2SC2603
IQ2	46367101	2SC2603
IQ3	46367101	2SC2603
	or 46367301	2SC2458

< F-5504 >

Parts No.	Stock No.	Description
IQ4	46367001	2SA1115
	or 46367201	2SA1048
IQ5	46367001	2SA1115
	or 46367201	2SA1048
IQ6	46367101	2SC2603
	or 46367301	2SC2458
IQ7	03067401	2SC1845
IQ8	03010901	2SA992
•IC		
IIC1	46207600	TA7317P
•Diode		
ID1	48123600	11E2
ID2	03117600	1S2473T77
	or 46086000	1S1588TP-3
ID3	03117600	1S2473T77
	or 46086000	1S1588TP-3
ID4	48123600	11E2
ID5	48123600	11E2
IC1	48101500	100μF 6.3V E.B.
IC8	46696000	0.022μF 50V F.C.
IC11	46282900	0.01μF 50V F.C.
IRL1	48183100	Relay, Protector
	or 48183200	Relay,
IRL2	48183100	Relay, Protector
	or 48183200	Relay,

3-3. F-5505 Fuse Board

Parts No.	Stock No.	Description
△pF1	48721800	Fuse 5A 250V (XX-V)
△	48722200	Fuse 10A 250V (UL, CSA)
△	07185300	Fuse 4A 250V (EU, SEV)
△pF2	48721800	Fuse 5A 250V (XX-V)
△	07185000	Fuse 2A 250V (SEV)

3-4. F-5506 Protector Indicator Board

Parts No.	Stock No.	Description
•LED		
nLD30	48191400	PR3427S

3-5. F-5507 Power Meter Lamp Board

Parts No.	Stock No.	Description
nPL1	48576400	14V 0.1A Pilot Lamp

3-6. F-5508 Phones Jack Board

Parts No.	Stock No.	Description
oJ1	48571400	Jack,

3-7. F-5509 REC OUT Indicator Board

Parts No.	Stock No.	Description
•LED nLD29	48576000	AY3665S

3-8. F-5510 EQ Amp. & Input Terminal Board

(Stock No. 01009801)

Parts No.	Stock No.	Description
•Transistor iQ1	46581701	2SC1845
•FET iFT1	46723601 or 46723602	2SK389-BL 2SK389-V
•IC iIC1	46078900	M5218L
•Zener Diode iDZ1	46111800	05Z6.2-Y
iR5	48027700	1k Ω 1/4W C.R.
iR6	48027700	1k Ω 1/4W C.R.
iR14	48031900	56k Ω 1/4W C.R.
iR15	48028100	1.5k Ω 1/4W C.R.
iR16	48029300	4.7k Ω 1/4W C.R.
iC6	46697000	0.056 μ F 50V F.C.
iC7	46695700	0.016 μ F 50V F.C.
iC8	46694200	3900pF 50V F.C.
•IC oIC1	48570700	TC9152P
oIC2	48570700	TC9152P
•Diode oD1	03117600 or 46086000	1S2473T77 1S1588TP-3
oD2	03117600 or 46086000	1S2473T77 1S1588TP-3
oD3	03117600 or 46086000	1S2473T77 1S1588TP-3
oD4	03117600 or 46086000	1S2473T77 1S1588TP-3
oD5	03117600 or 46086000	1S2473T77 1S1588TP-3
oC3	48575900	5600 μ F 16V E.C.
oC7	46283700	0.047 μ F 50V F.C.
oS8	48570000	Push SW., MC
oS10	07200200	Slide SW., REC SELECTOR
oZ2	48528200	4P Terminal, TAPE-1•TAPE-2
oZ6	48528500	4P Terminal, TUNER•CD•LINE-1•LINE-2

3-9. F-5512 REC SELECTOR Board

Parts No.	Stock No.	Description
oS9	48569900	Rotary SW.,

3-10. F-5511 Input Function Switch Board

(Stock No. 01009901)

Parts No.	Stock No.	Description
•LED nLD31	48576000	AY3665S, PHONO
nLD32	48576000	AY3665S, LINE-2
nLD33	48576000	AY3665S, LINE-1
nLD34	48576000	AY3665S, CD
nLD35	48576000	AY3665S, TUNER
nLD36	48576000	AY3665S, TAPE
nLD37	48576000	AY3665S, ADAPTOR
•Zener Diode oDZ1	46109100	05Z2.7-Y
oDZ2	46109100	05Z2.7-Y
oDZ3	46109100	05Z2.7-Y
oDZ4	46109100	05Z2.7-Y
oDZ5	46109100	05Z2.7-Y
oS1	46708100	Push SW., TUNER
oS2	46708100	Push SW., CD
oS3	46708100	Push SW., LINE-1
oS4	46708100	Push SW., LINE-2
oS5	46708100	Push SW., PHONO
oS6	48569800	Push SW., TAPE•ADAPTOR

3-11. F-5539 Power Supply Board (Stock No. 01012601)

Parts No.	Stock No.	Description
•Transistor Δ mQ1	48073601	2SD1061
Δ mQ2	48073601	2SD1061
Δ mQ3	48064601	2SB825
mQ4	46581701	2SC1845
mQ5	46581601	2SA992
Δ mQ6	48073601	2SD1061
•FET mFT1	46643602 or 46643701	2SK117-GR 2SK246-GR
mFT2	46643602 or 46643701	2SK117-GR 2SK246-GR
•Diode Δ mD1	03117700	10E-2
Δ mD2	48159900	CTM-22S
Δ mD3	48159800	CTM-22R
Δ mD4	03117000	RB152-LFF
Δ mD5	03117000	RB152-LFF
•Zener Diode mDZ1	46116000	05Z24-Y
mDZ2	46114700	05Z16-X
mDZ3	46114700	05Z16-X
mDZ4	46114100	05Z13-X
or 46114200		05Z13-Y
Δ mR1	46624300	100 Ω 2W N.I.R.
Δ mR2	46624300	100 Ω 2W N.I.R.
Δ mR4	46626700	10k Ω 2W N.I.R.
Δ mR5	46626700	10k Ω 2W N.I.R.
Δ mR6	46227400	4.7 Ω 1/2W N.I.R.
Δ mR7	46227400	4.7 Ω 1/2W N.I.R.
Δ mR11	46247700	4.7 Ω 1/2W N.I.R.
Δ mR20	46624300	100 Ω 2W N.I.R.
mC4	48570900	10000 μ F 80V E.C.
mC5	48570900	10000 μ F 80V E.C.
mC15	08680400	0.01 μ F 500V C.C.
mC16	08680400	0.01 μ F 500V C.C.

3-12. F-5540 PHONO/ADAPTOR Input Terminal Board

Parts No.	Stock No.	Description
oZ3	48528200	4P Terminal, ADAPTOR
oZ4	48528400	2P Terminal, PHONO

3-13. F-5541 Master Volume Board (Stock No. 01012801)

Parts No.	Stock No.	Description
jC13	46655200	680pF 100V F.C.
jC14	46697000	0.056 μ F 50V F.C.
jVR1	48569500	100KX2 V.R., VOLUME
•LED		
nLD25	48351800	GL-3HY8, LOUDNESS (HIGH)
nLD26	48351800	GL-3HY8, LOUDNESS (LOW)
nLD27	48351800	GL-3HY8, MUTING
nLD28	48351800	GL-3HY8, MC
oS11	48569300	Push SW., MUTING•LOUDNESS

3-14. F-5542 Tone Control Board (Stock No. 01012901)

Parts No.	Stock No.	Description
jC15	46697600	0.1 μ F 50V F.C.
jC24	46697200	0.068 μ F 50V F.C.
jC25	46698000	0.15 μ F 50V F.C.
jC26	46695200	0.01 μ F 50V F.C.
jC27	46696200	0.027 μ F 50V F.C.
jVR2	48569600	250KX2 V.R., BALANCE
jVR3	48569700	50KX2 V.R., BASS
jVR4	48569700	50KX2 V.R., TREBLE
•LED		
nLD21	48351800	GL-3HY8, SPEAKERS-A
nLD22	48351800	GL-3HY8, SPEAKERS-B
nLD23	48351800	GL-3HY8, TONE
nLD24	48351800	GL-3HY8, SUBSONIC
nLD38	48351800	GL-3HY8, TAPE-2
nLD39	48351800	GL-3HY8, TAPE-1
oS7	48569200	Push SW., TAPE-1/TAPE-2
oS12	48569400	Push SW., SUBSONIC•TONE•SPEAKERS

3-15. F-5543 Tone Control Amp. Board (Stock No. 01013001)

Parts No.	Stock No.	Description
•Transistor		
jQ1	46581701	2SC1845
•FET		
jFT1	46723601	2SK389-BL
	or 46723602	2SK389-V
	or 48785701	2SK389-BK
	or 48785702	2SK389-VK
•IC		
jIC1	46147700	M5218L
•Zener Diode		
jDZ1	46111800	05Z6.2-Y
jR29	48028500	2.2k Ω 1/4W C.R.
jR30	48028500	2.2k Ω 1/4W C.R.
•FET		
IFT1	46643500	2SK163-K1
	or 46643501	2SK163-K2
	or 46643502	2SK163-L1
	or 46643503	2SK163-L2
IC10	46697600	0.1 μ F 50V F.C.

3-16. F-5544 Power Display Board

Parts No.	Stock No.	Description
•LED		
nLD1 ~ 13	48265500	SEL2813A

Note: The nIC1 on F-5544, IR2E33 is not supplied.
When the IC, IR2E33 is defective, replace power display ass'y.
(Parts number 6 of section "5-1. Front View" on page 10).

4. ADJUSTMENTS

4-1. Driver Circuit Adjustment

- Note:** 1) Master Volume Minimum
 2) Room Temperature ... 18°C ~ 28°C (65°F ~ 83°F)
 3) Before turning ON power switch, set kVR1, kVR2 on F-5504 to center position.

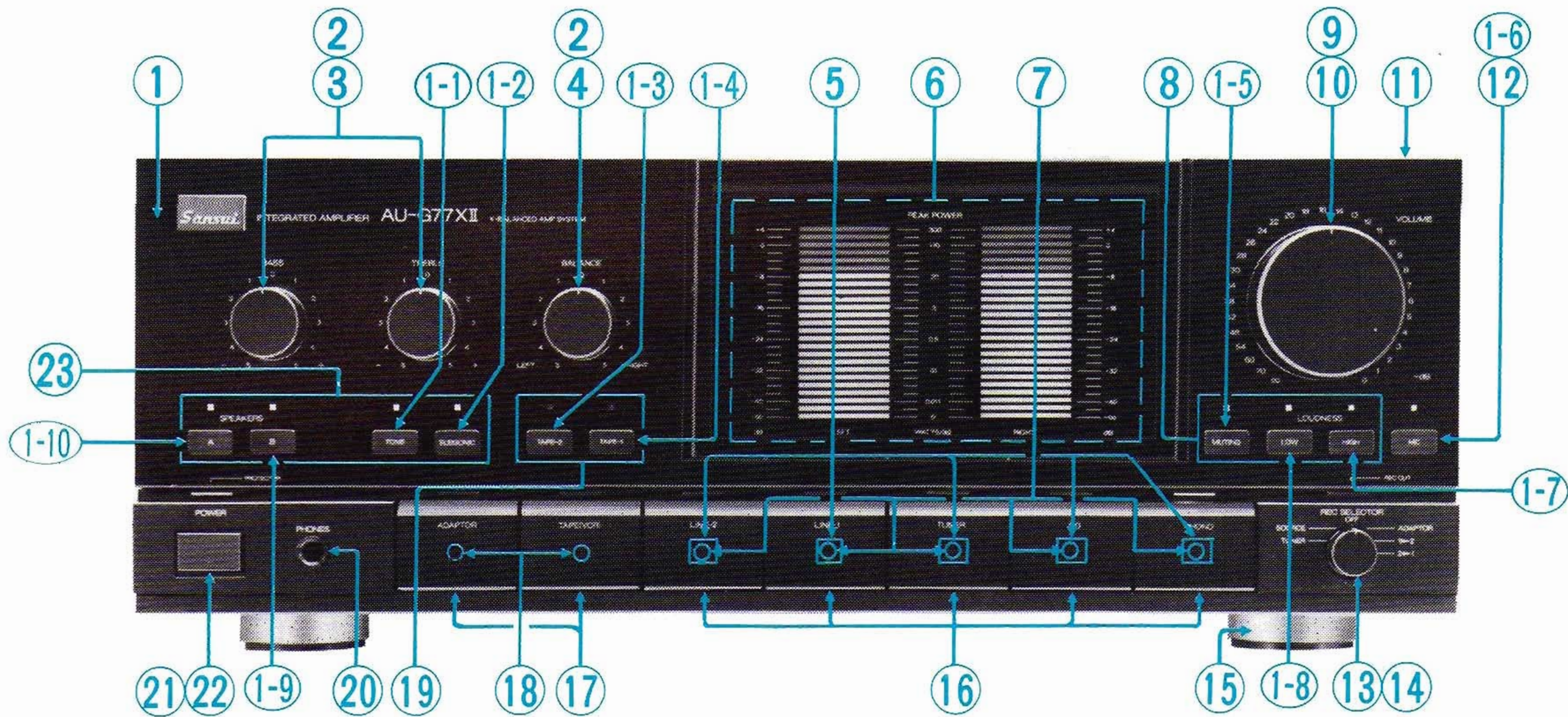
- 4) For adjustment, run the unit for more than 5 minutes after the power is switched on.
 5) This bias current adjustment converts current value into voltage by ohms law.

STEP	SUBJECT	MEASURE OUTPUT	ADJUST	ADJUST FOR
1.	DC 0V Adj. L-CH	Speaker Terminal (L-ch)	kVR1, L-ch	DC 0V ± 5mV
2.	DC 0V Adj. R-CH	Speaker Terminal (R-ch)	kVR1, R-ch	DC 0V ± 5mV
3.	Bias Current Adj. L-CH	Between emitters of power transistors (kQ14L & kQ15L) (Across kR36L)	kVR2, L-ch	DC 14mV ± 2mV
4.	Bias Current Adj. R-CH	Between emitters of power transistors (kQ14R & kQ15R) (Across kR36R)	kVR2, R-ch	DC 14mV ± 2mV

Note: Repeat procedures as stated in subject in step 1 ~ 4.

5. OTHER PARTS

5-1. Front View



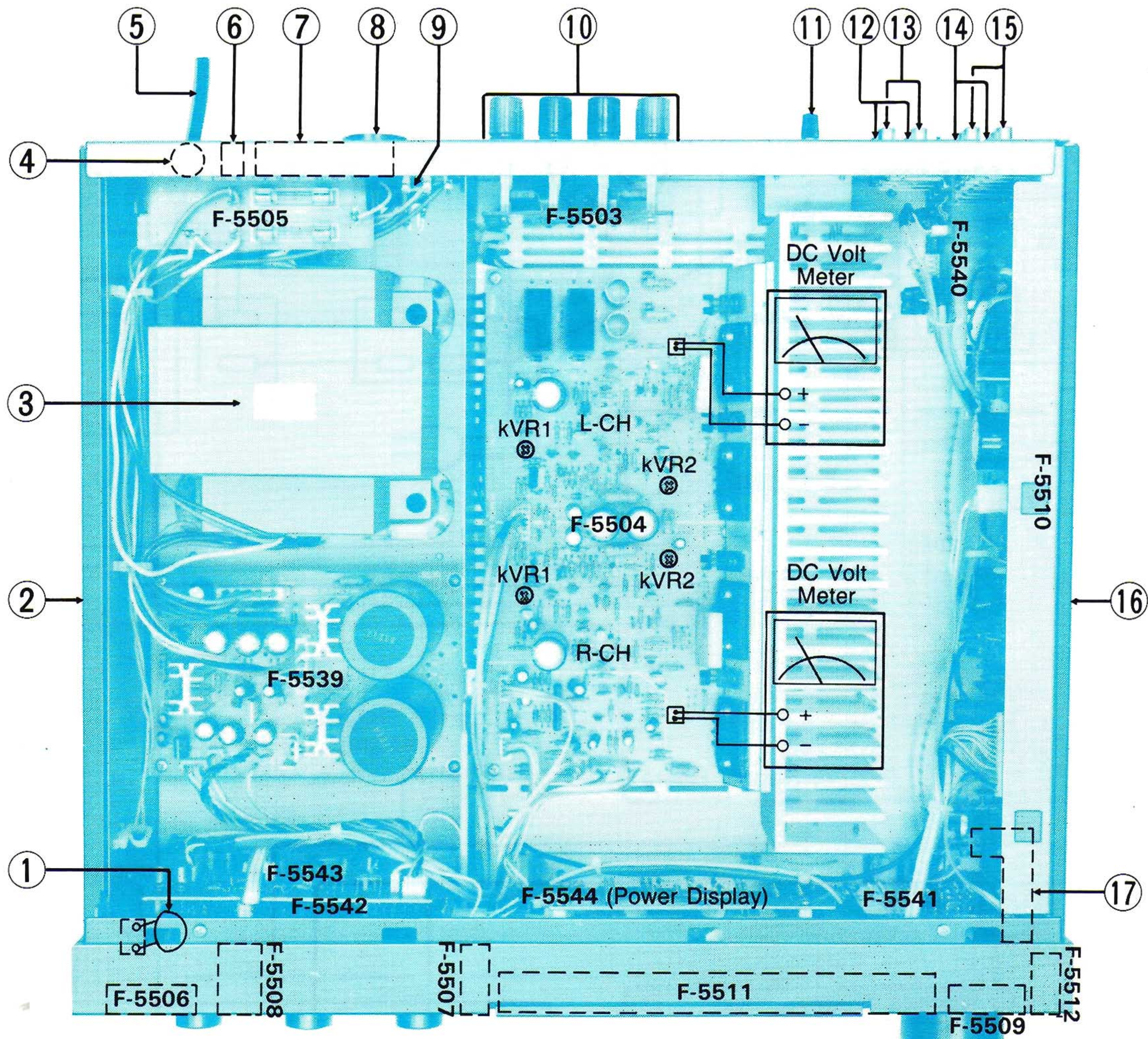
Parts List

Parts No.	Stock No.	Description
1	27264010	Front Panel Ass'y (XX-V, CSA, EU, SEV)
	27264110	Front Panel Ass'y (UL)
*1-1	27253300	Knob, TONE
*1-2	27253400	Knob, SUBSONIC
*1-3	27253500	Knob, TAPE-2
*1-4	27253600	Knob, TAPE-1
*1-5	27253000	Knob, MUTING
*1-6	27252900	Knob, MC
*1-7	27253200	Knob, HIGH
*1-8	27253100	Knob, LOW
*1-9	27252800	Knob, SPEAKER-B
*1-10	27252700	Knob, SPEAKER-A
2	27265710	Knob, BASS, TREBLE, BALANCE
3	48569700	50kΩ V.R., BASS, TREBLE
4	48569600	250kΩ V.R., BALANCE
5	27051400	Knob Adaptor, PHONO, CD, TUNER, LINE-1, LINE-2
6	48573600	Power Display Ass'y (included display holder) (See Fig. 5-1)

Parts No.	Stock No.	Description
7	27038500	Knob shaft, PHONO, CD, TUNER, LINE-1, LINE-2
8	48569300	Push SW., MUTING, LOUDNESS
9	27265610	Knob, VOLUME
10	48569500	100kΩ V.R., VOLUME
11	27278000	Bonnet
12	48570000	Push SW., MC
13	27265800	Knob, REC SELECTOR
14	48569900	Rotary SW. with flexible wire, REC SELECTOR
15	27266000	Leg
16	46708100	Push SW., PHONO, CD, TUNER, LINE-1, LINE-2
17	48569800	Push SW., ADAPTOR, TAPE (VCR)
18	27252300	Knob shaft, ADAPTOR, TAPE (VCR)
19	48569200	Push SW., TAPE-1, TAPE-2
20	48571400	Phones Jack
21	27039800	Knob, Power
△22	48113300	Push SW., Power
23	48569400	Push SW., SPEAKERS, SUBSONIC, TONE

Note: When you replace the knob which is indicated by "*" mark, refer to Fig. 5-2.

5-2. Top View



Parts List

Parts No.	Stock No.	Description
△ 1	46425800	0.01μF 400V C.C.
△ 2	or 46943200	0.01μF 400V C.C.
△ 3	27264810	Left Side Panel
△ 4	15027009	Power Transformer (XX-V)
△ 5	15027002	Power Transformer (UL, CSA)
△ 6	15027005	Power Transformer (EU, SEV)
△ 7	39104900	Strain Relief
△ 8	38004900	Power Supply Cord (XX-V)
△ 9	48188100	Power Supply Cord-polarized (XX-V, UL, CSA)
△ 10	46128900	Power Supply Cord (EU)
△ 11	48306700	Power Supply Cord (SEV)
△ 12	07204700	Slide SW., Voltage Selector (EU, SEV)
△ 13	46730400	AC OUTLET (XX-V)
△ 14	48184700	AC OUTLET-polarized (XX-V, UL, CSA)
△ 15	46161000	AC OUTLET (EU, SEV)

Parts No.	Stock No.	Description
△ 8	48175200	Plug, Voltage Selector (XX-V)
△ 9	46739400	Slide SW., SPEAKERS IMPEDANCE SELECTOR (XX-V, EU, SEV)
	46736600	Slide SW., SPEAKER IMPEDANCE SELECTOR (UL, CSA)
10	48569100	8P Terminal, SPEAKER
11	22301510	Grond Terminal
12	48528200	4P Terminal, ADAPTOR
13	48528400	2P Terminal, PHONO
14	48528200	4P Terminal, TAPE-1, TAPE-2
15	48528500	4P Terminal, TUNER, CD, LINE-1, LINE-2
16	27264910	Right Side Panel
17	27252510	Joint Shaft, MC SW.

Fig. 5-1

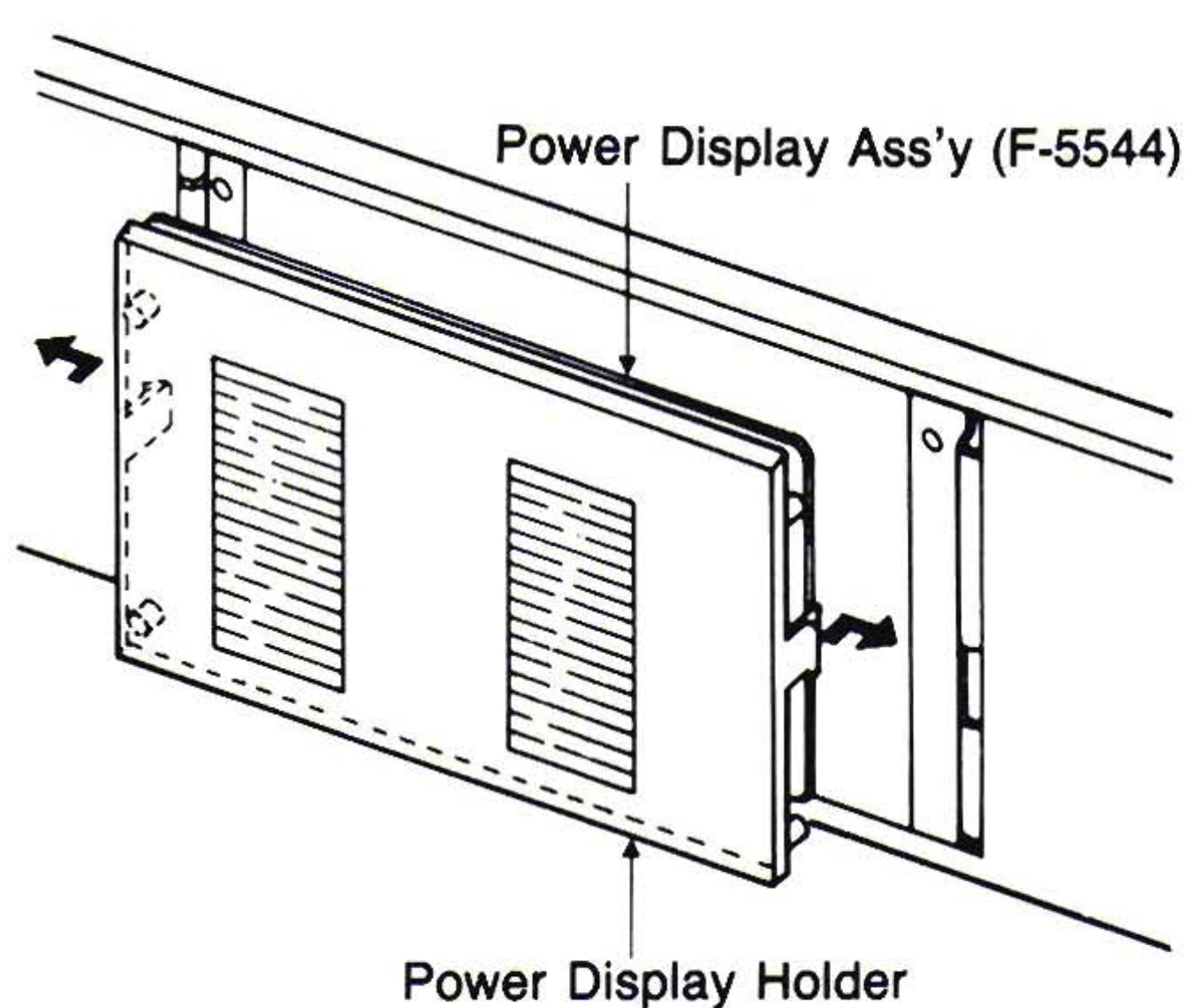
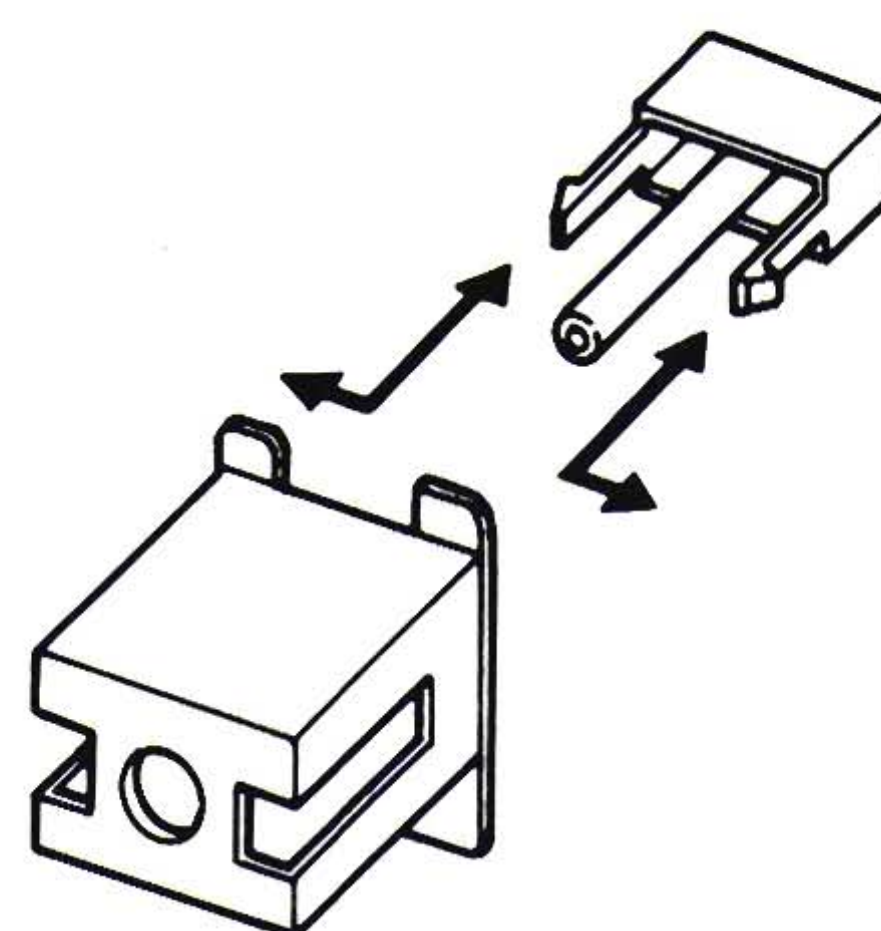
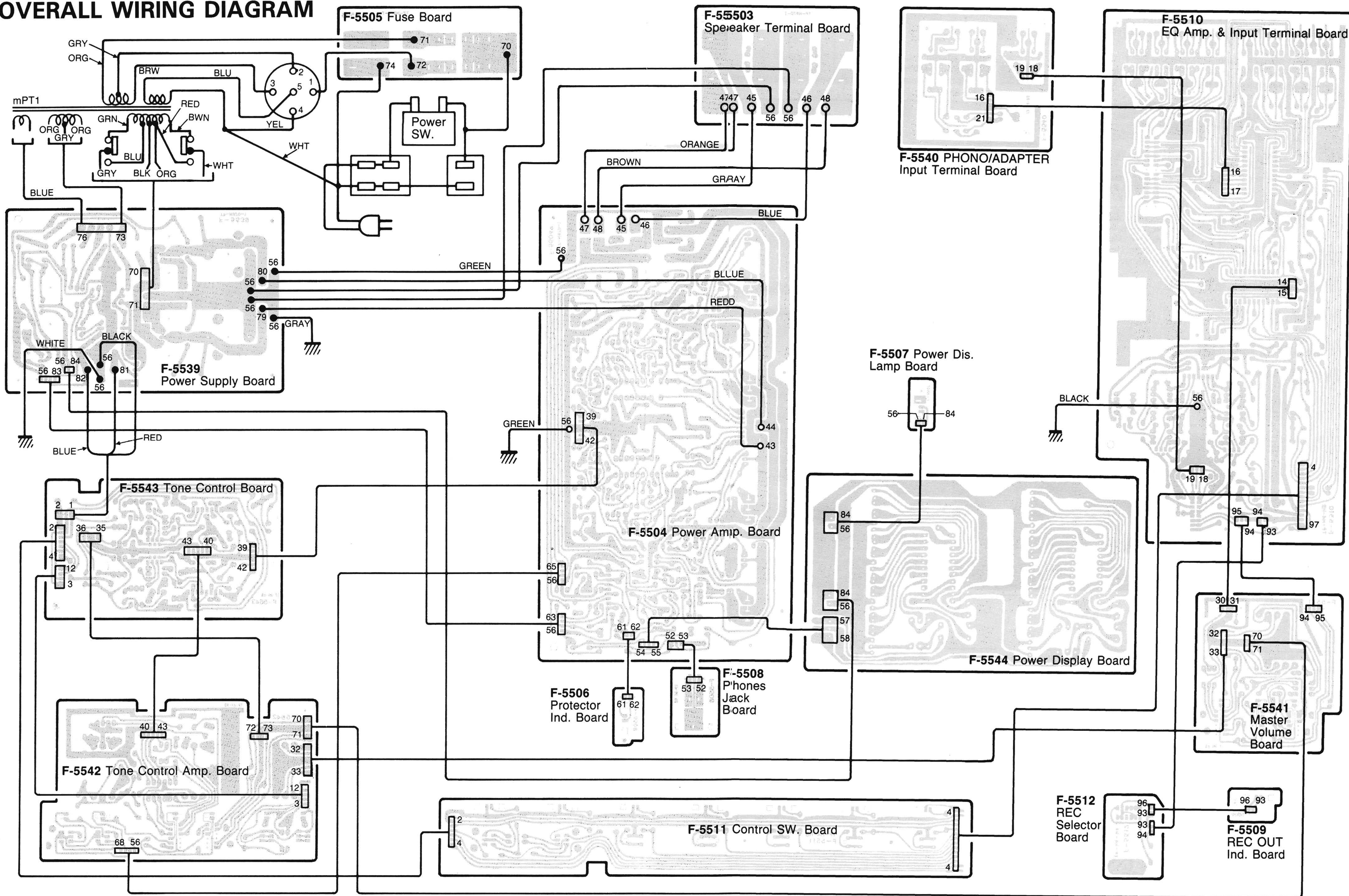


Fig. 5-2

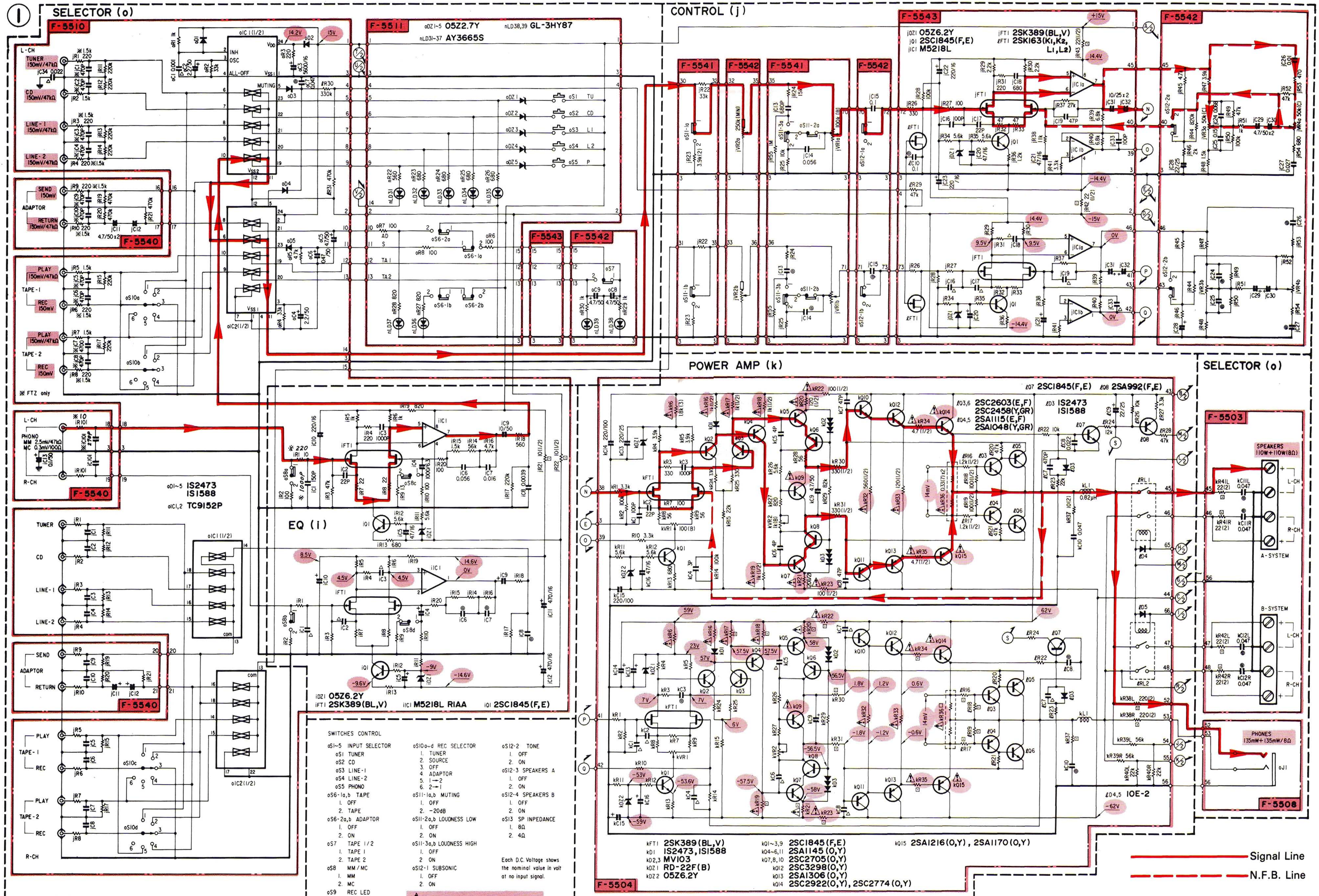


6. OVERALL WIRING DIAGRAM



7. SCHEMATIC DIAGRAM 7-1. Amplifier Section

* Design and specifications subject to change without notice for improvement.
 * La présentation et les spécifications sont susceptibles d'être modifiées sans préavis par suites d'améliorations éventuelles.
 * Änderungen, die dem technischen Fortschritt dienen, bleiben vorbehalten.



- 2SA992 2SA1048
- 2SA1145 2SA1115
- 2SC1845 2SC2458
- 2SC2705 2SC2603
- 2SK246 2SA1305
- 2SK117 2SK163
- 2SK389 TA7317P
- TC9152P
- CTM-225 M5218L
- 1S1588
- CTM-22R 1S152473D
- 10E2
- 11E2
- RB-152 MV103
- O522.7
- O526.2
- O5213
- O5216
- O5224
- RD22F

1
2
3
4
5

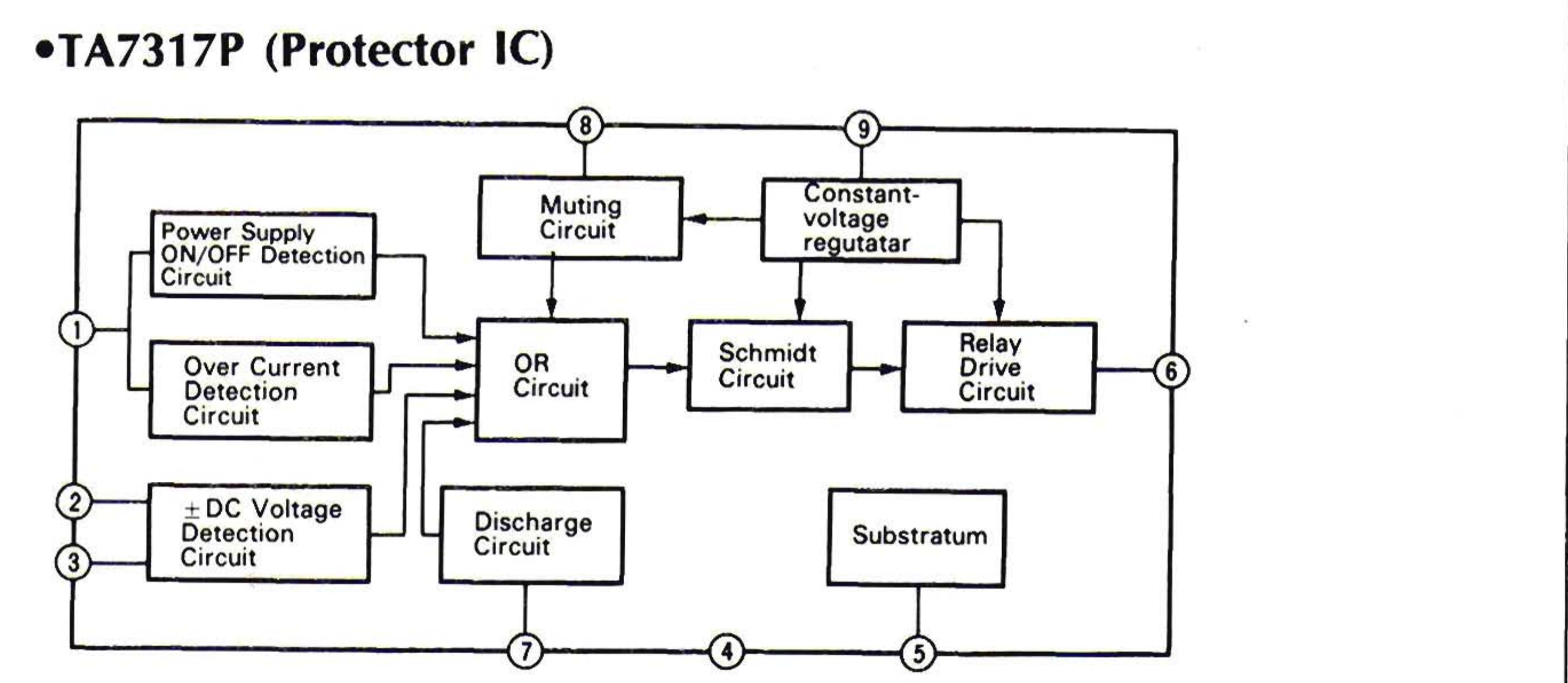
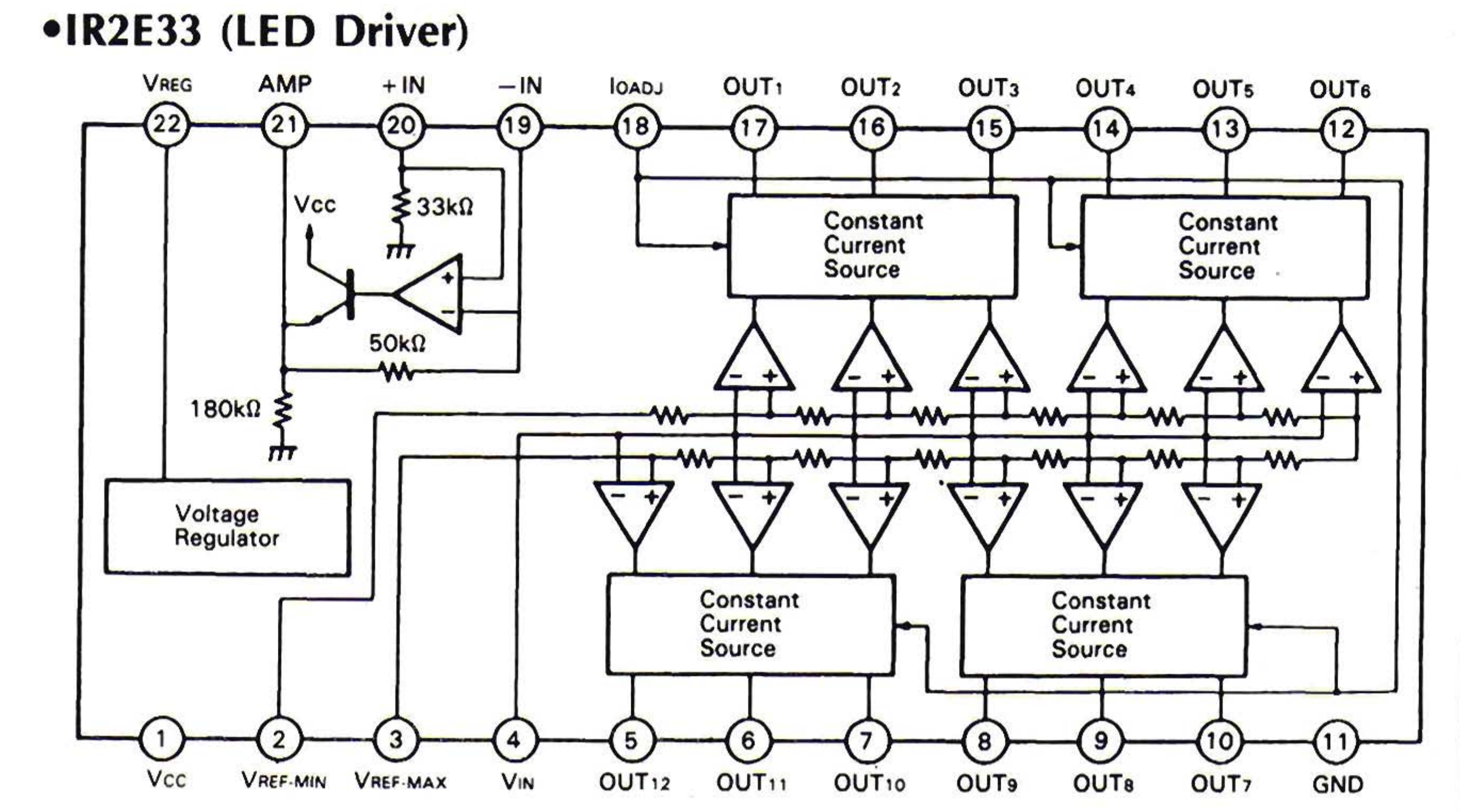
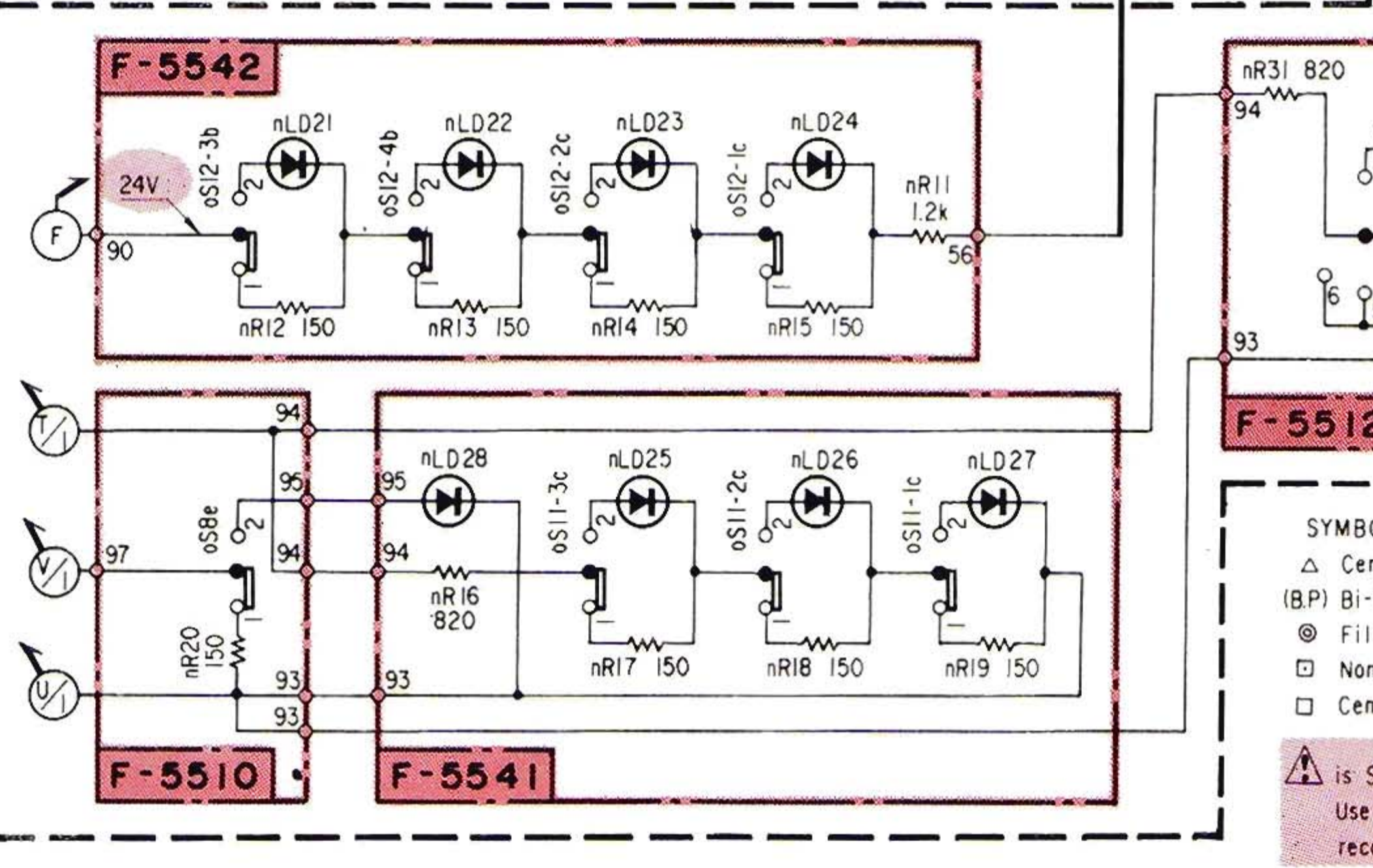
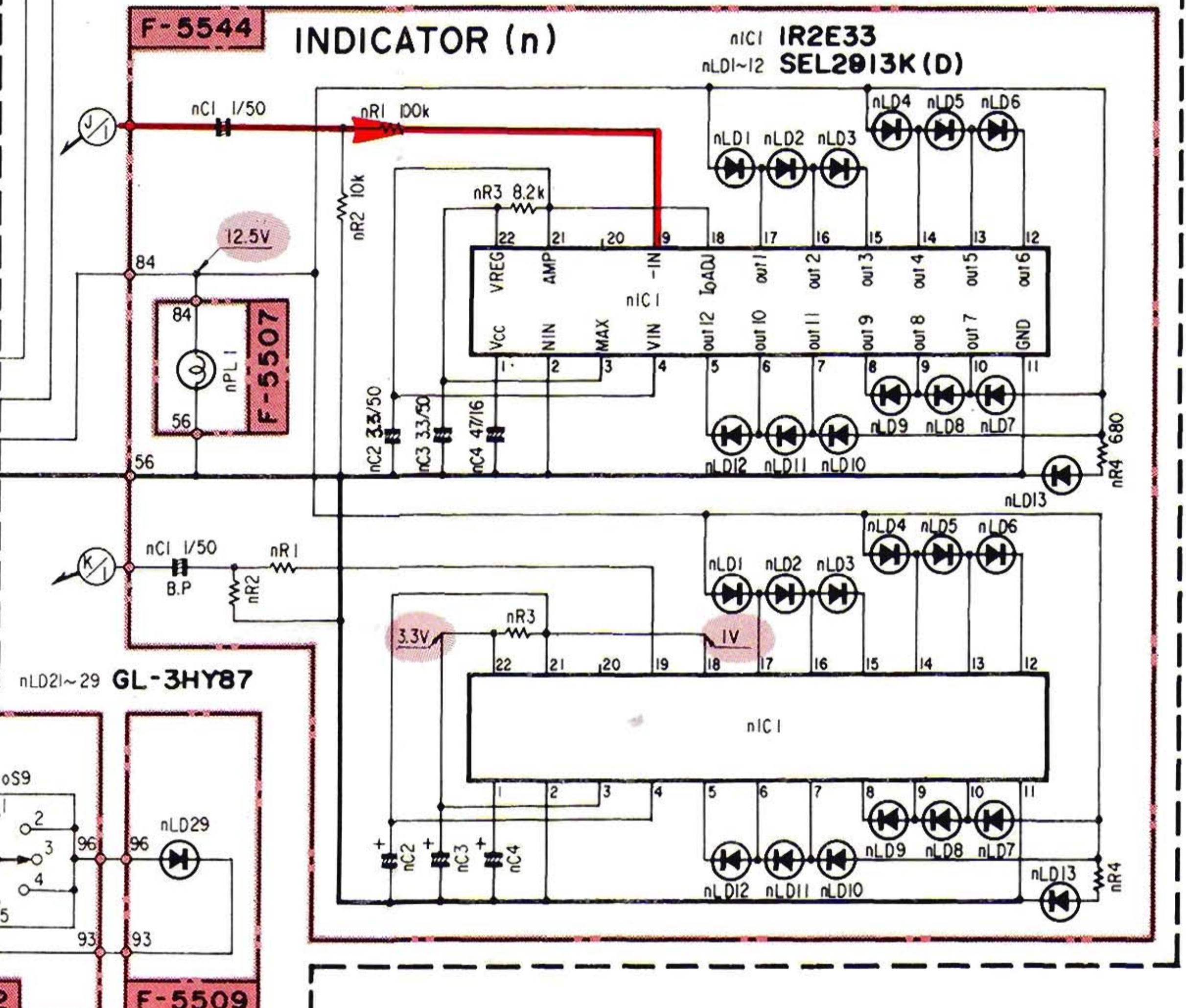
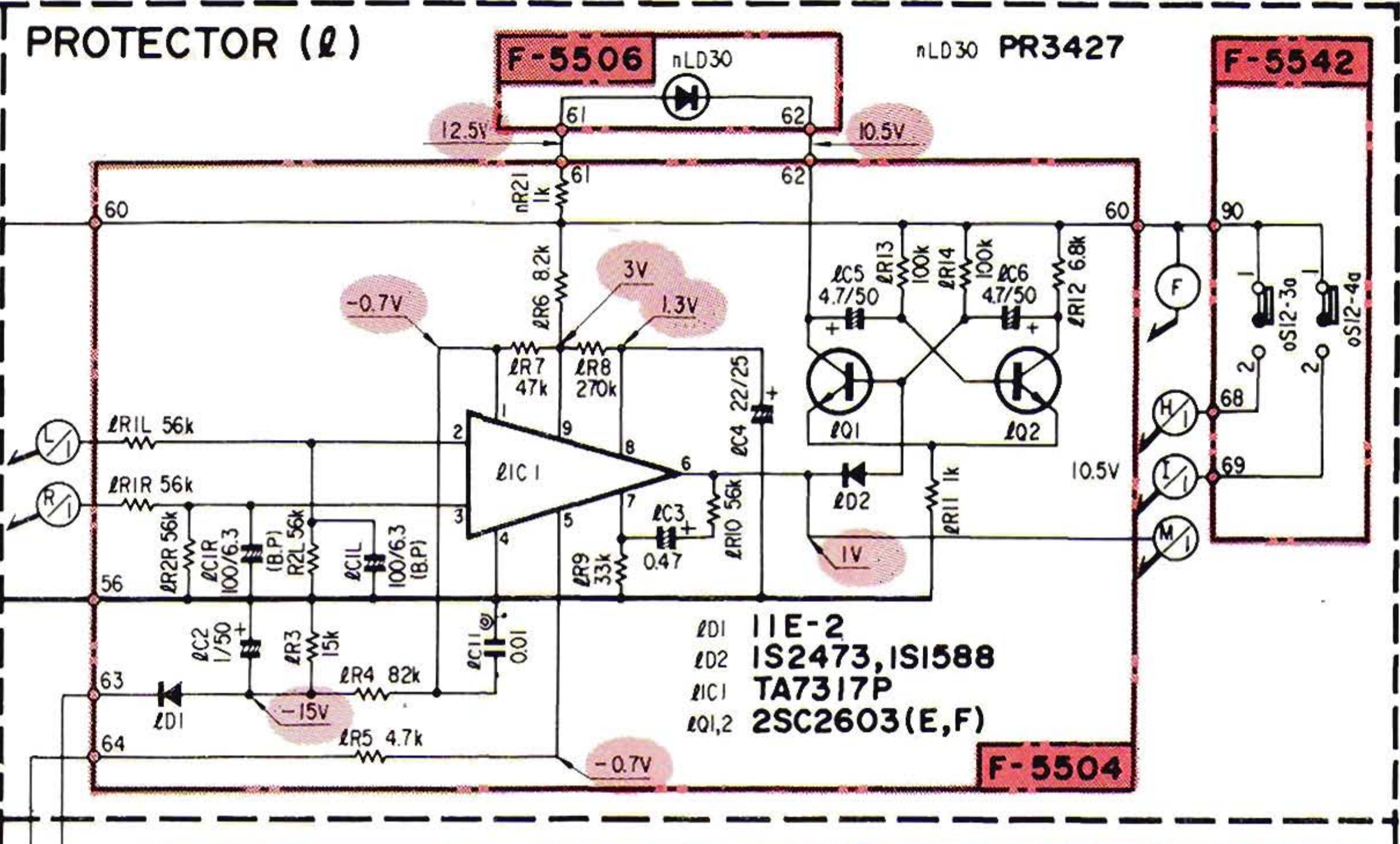
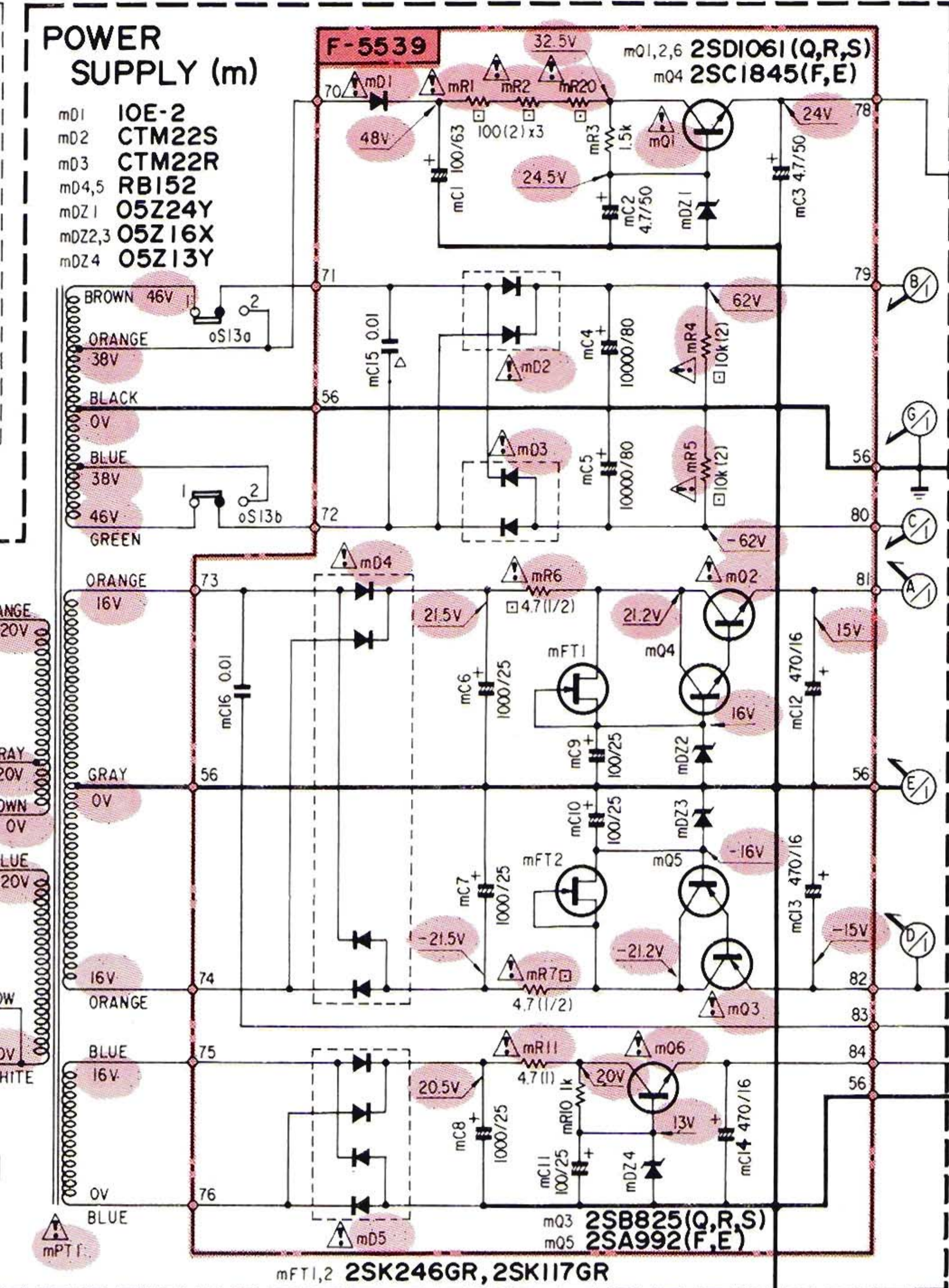
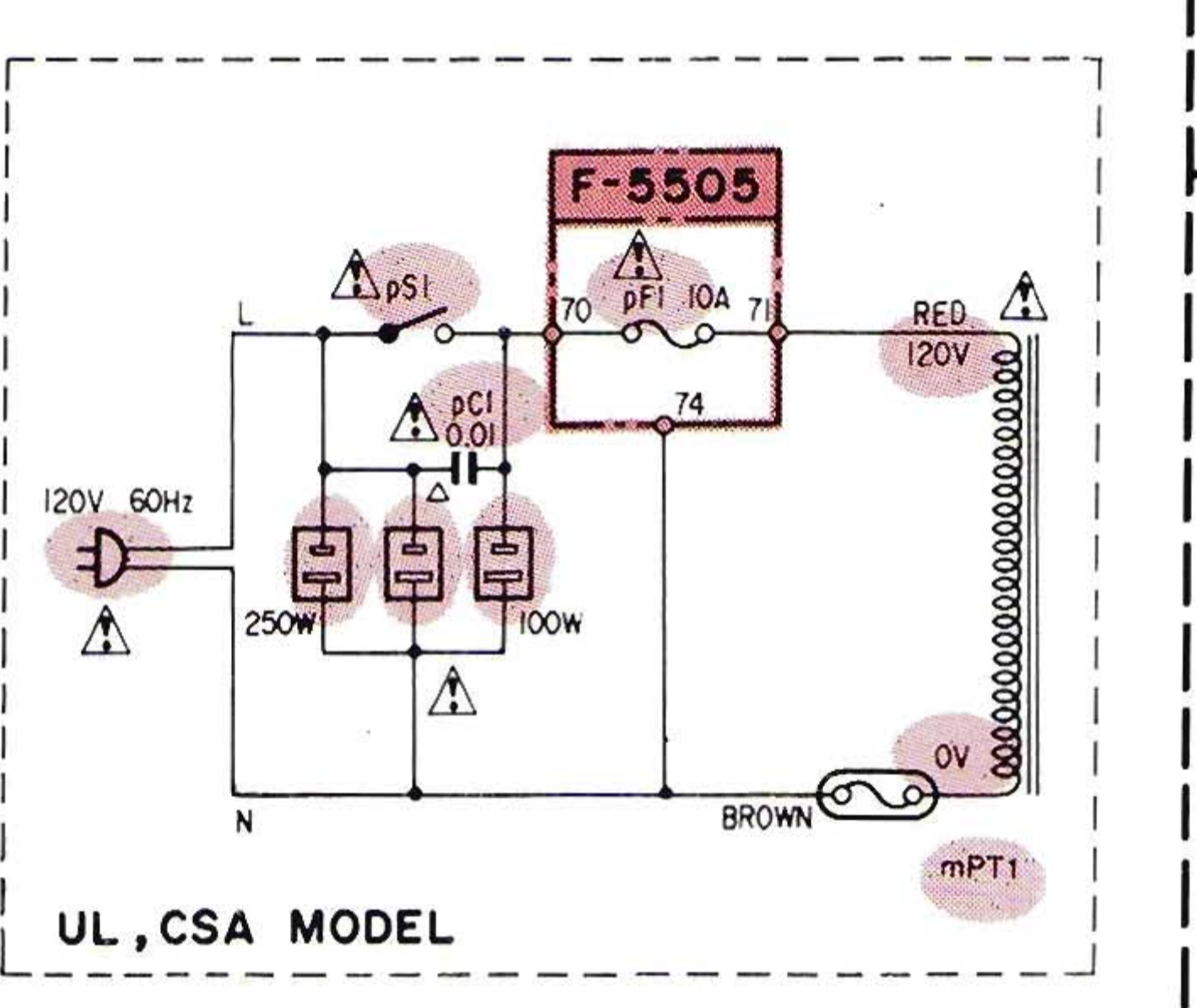
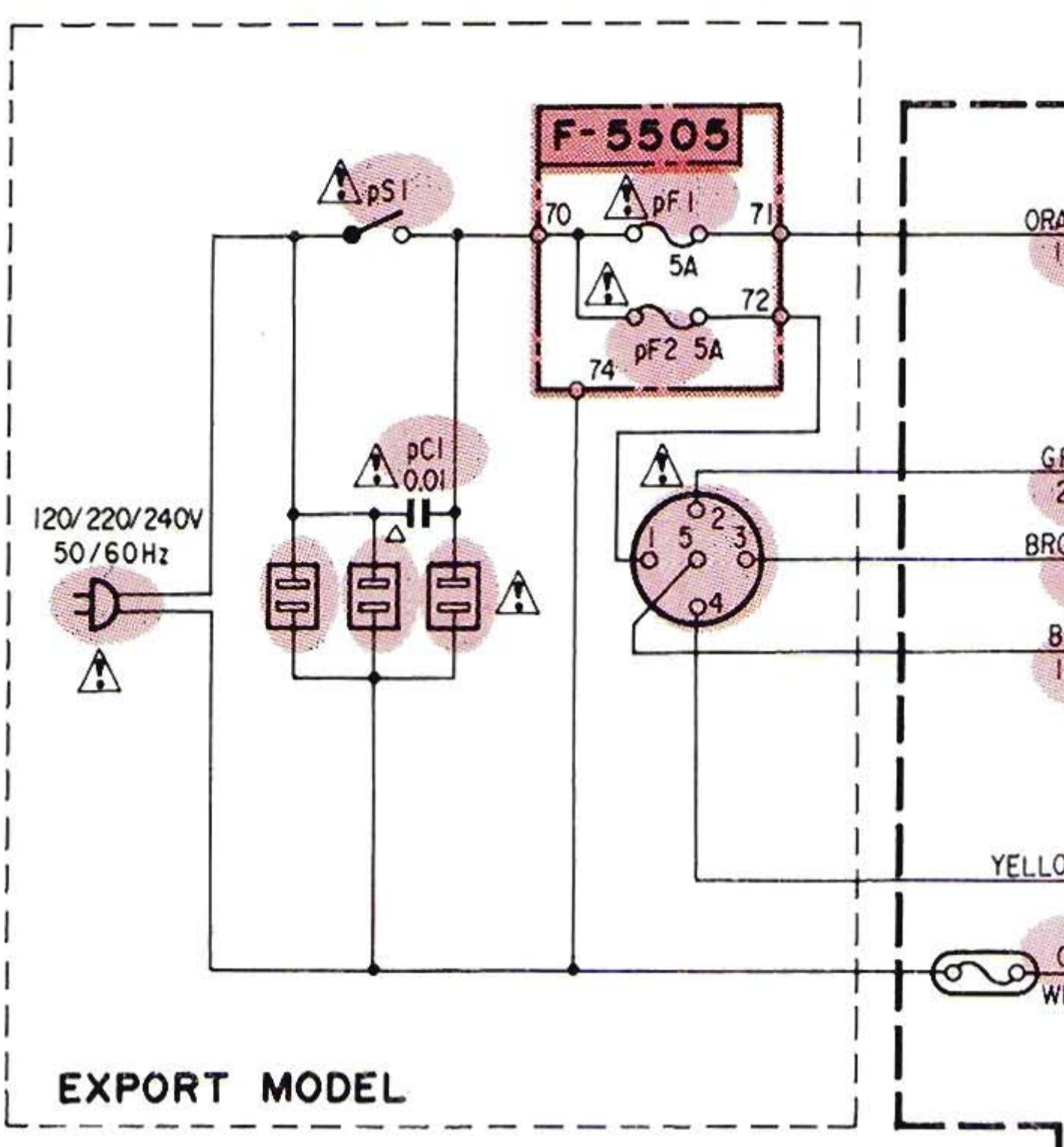
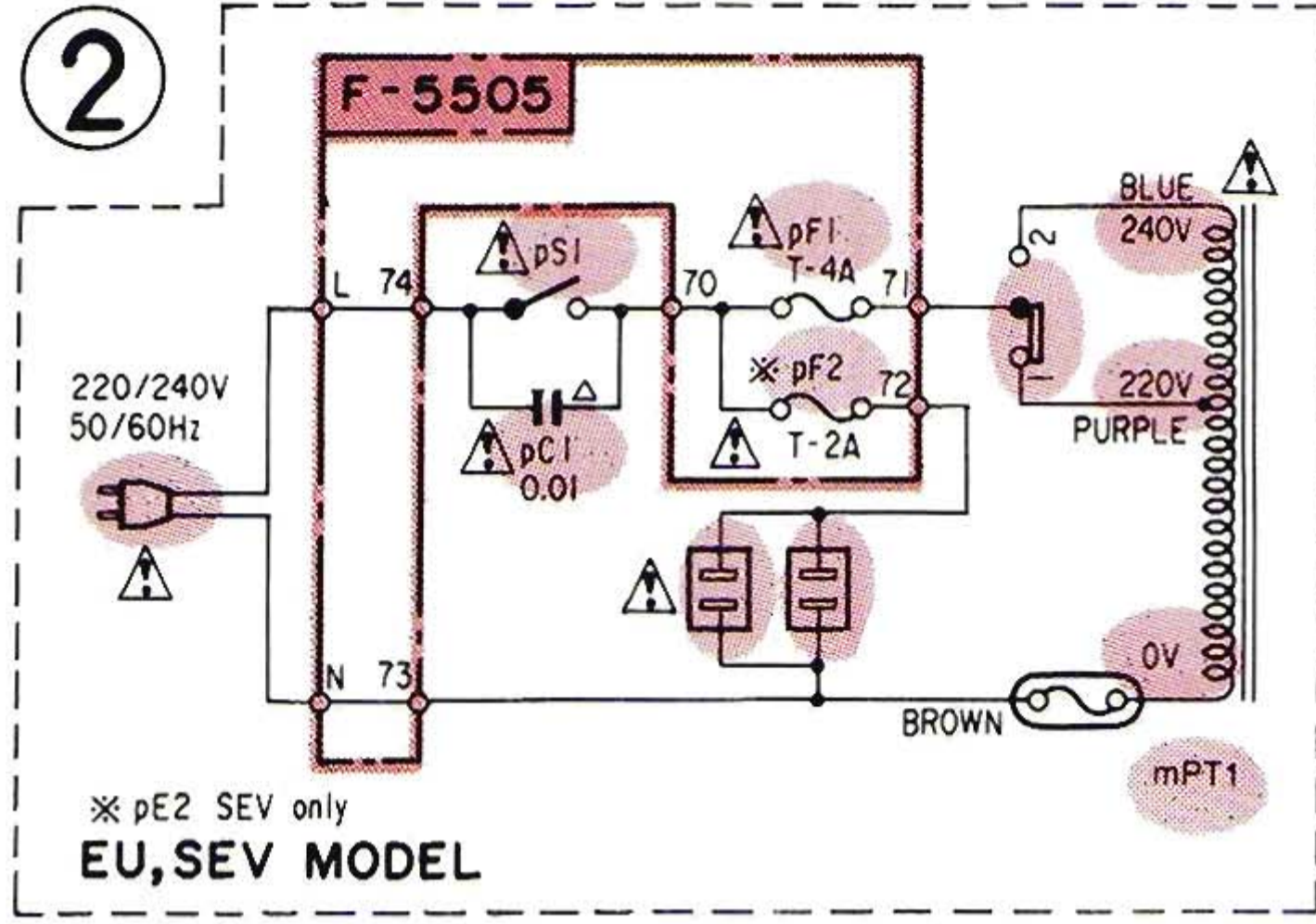
— Signal Line
 - - - N.F.B. Line

Δ is Safety Part.
 Use only replacement parts recommended by the manufacturer.

A B C D E F G H

7-2. Power Supply, Protector & Display Section

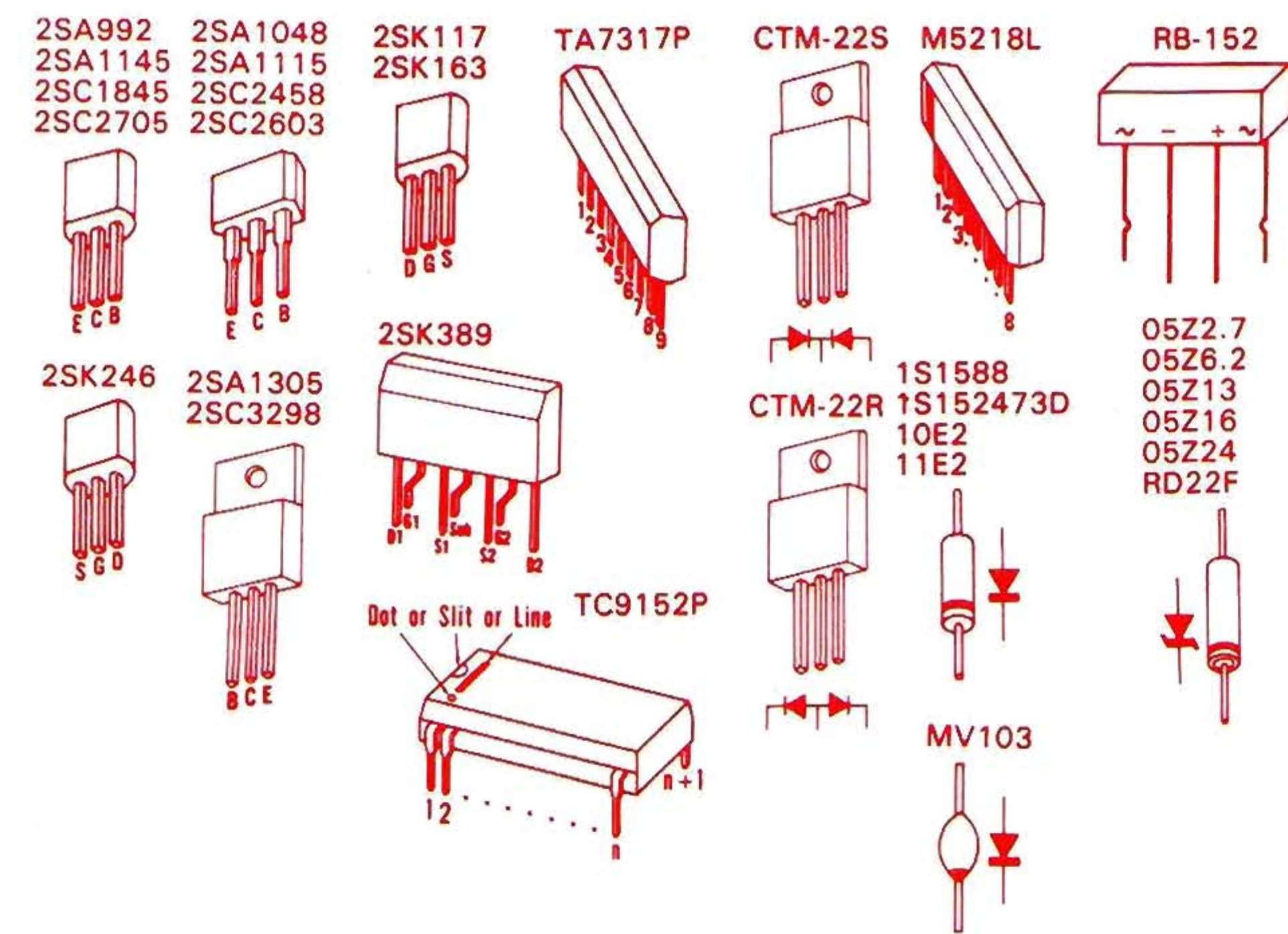
• Design and specifications subject to change without notice for improvement.
 • La présentation et les spécifications sont susceptibles d'être modifiées sans préavis par suites d'améliorations éventuelles.
 • Änderungen, die dem technischen Fortschritt dienen, bleiben vorbehalten.



SYMBOL
 Δ Ceramic
 (B/P) Bi-Polar Electrolytic
 ⊙ Film
 □ Non-Inflammable Resistor
 □ Cement Resistor
 ⚠ is Safety Part.
 Use only replacement parts recommended by the manufacturer.

RESISTORS
 Are in ohms, 1/4 Watts, ±5% Tolerance Unless Otherwise Noted. k: kΩ, M: MΩ
 CAPACITORS
 Are in μF, Unless Otherwise Noted. P: pF

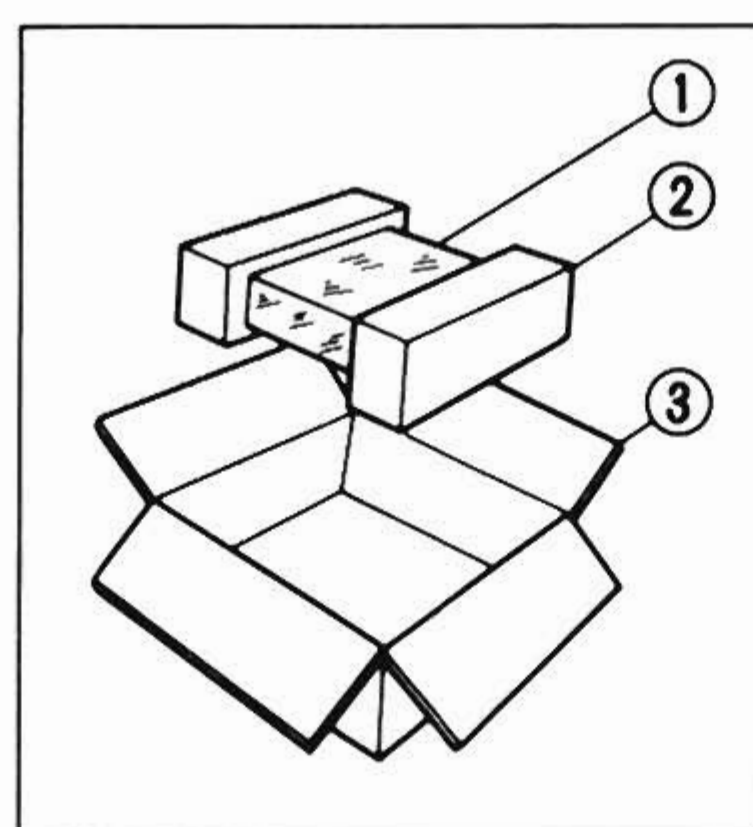
— Signal Line



1
2
3
4
5

8. PACKING LIST

Parts No.	Stock No.	Description
1	47858400	Vinyl Bag
2	27264600	Styrofoam Packing
3	27265900	Carton Case



9. ACCESSORY LIST

Parts No.	Stock No.	Description
	49015800	Operating Instruction (*E•F•S)
	49015900	Operating Instruction (*G•I•Sw)

*** Note:**

E•F•S: English•French and Spanish Version

G•I•Sw: German•Italian and Swedish Version



SANSUI ELECTRIC CO., LTD.:

SANSUI ELECTRONICS CORPORATION:

SANSUI ELECTRONICS (U.K.) LTD.:
SANSUI ELECTRONICS G.M.B.H.:

14-1, Izumi 2-chome, Suginami-ku, Tokyo 168 Japan
PHONE: (03) 324-8891/TELEX: 232-2076 (International Division)
1250 Valley Brook Ave. Lyndhurst, N.J. 07071 U.S.A.
17150 South Margay Ave. Carson, California 90746 U.S.A.
3036 Koapaka Street. Honolulu, Hawaii 96819 U.S.A.
Unit 10A, Lyon Industrial Estate, Rockware Avenue, Greenford, Middx UB6, OAA, England
Pau Ehrich Strasse 8, 6074 Rödermark 2, West Germany