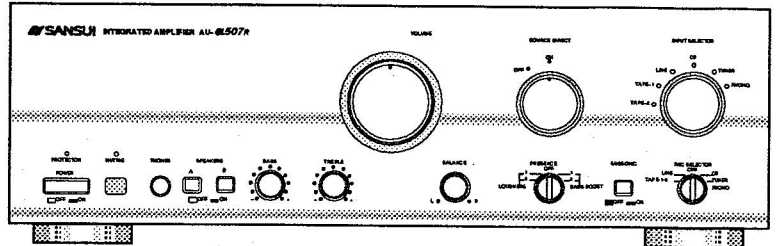


# SERVICE MANUAL

**SANSUI**

**AU-α507R**  
**AU-X517R**

**STEREO**  
**INTEGRATED AMPLIFIER**



## CAUTION

1. Parts identified the  $\triangle$  symbol on the schematic diagram and the parts list are critical for safety.

Use only replacement parts that have critical characteristics recommended by the manufacturer.

2. Make leakage-current for resistance measurements to determine that exposed parts are acceptably insulated from the supply circuit before returning the appliance to the customer.

$\triangle$  印がついている部品は、安全性を維持するために、重要な部品です。

これらの部品を交換する際には、必ず指定された部品を使用して下さい。

## NOTICE

The symbols, EU, SS, and  $\times\times$  on the Parts list and the schematic diagram mean followings respectively.

EU Manufactured for European market.

SS Manufactured for Saudi Arabian market.

$\times\times$  Standard Version.

NON MARK Common Parts.

マークの無い部品は、全仕向け共通です。

## Notice for Parts

1. Some printed circuit board are not supplied assembled.

To separate these in this Service Manual, the stock numbers are not indicated for these boards. However, stock numbers for individual parts are indicated.

2. Since some capacitors and resistors are omitted from parts lists in service manual, refer to the Common Parts List for capacitors and resistors, which was issued on June 1987.

3. Abbreviations in this Parts List are as follows.

1. プリント基板の中には、アッセンブリー供給できないものがあります。

基板番号の後にストック番号の付いていないものは、アッセンブリー供給できませんのでご注意ください。

ただし、基板上的個々の部品については供給いたします。

2. 部品表に記載されていない、抵抗・コンデンサーがあります。それらについては、1987年3月発行の新規標準抵抗・コンデンサーパーツリストを参照してください。

3. このマニュアルには、略語が使用されております。それらについては略語表を参照してください。

## Abbreviations List

C.R.	:Carbon Resistor
S.R.	:Solid Resistor
Ce.R.	:Cement Resistor
M.R.	:Metal Film Resistor
F.R.	:Fusing Resistor
N.I.R.	:Non-Inflammable Resistor
A.R.	:Array Resistor
C.C.	:Ceramic Capacitor
C.T.	:Ceramic Capacitor, Temperature Compensation
E.C.	:Electrolytic Capacitor
E.L.	:Low Leak Electrolytic Capacitor
E.B.	:Bi-Polar Electrolytic Capacitor
E.B.L.	:Low Leak Bi-Polar Electrolytic Capacitor
Ta.C.	:Tantulum Capacitor
F.C.	:Film Capacitor
M.P.	:Metalized Paper Capacitor
P.C.	:Polystyrene Capacitor
M.M.C.	:Metalized Mylar Capacitor
A.C.	:Array Capacitor
V.R.	:Variable Resistor
S.V.R.	:Semi Variable Resistor
SW.	:Switch
Chip.R.	:Chip Resistor
Chip.C.	:Chip Capacitor

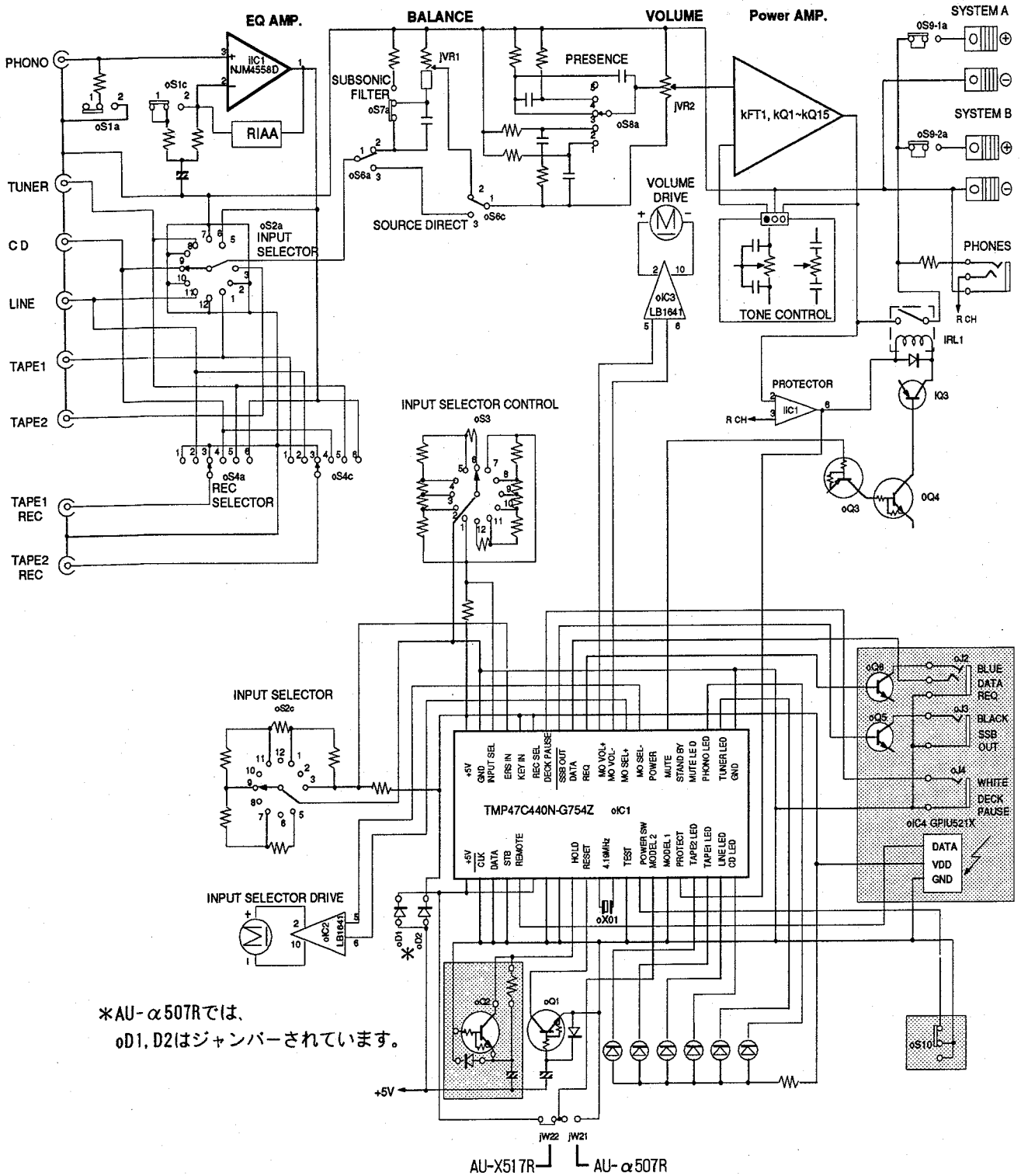
## 部品略語表

C.R.	:カーボン抵抗
S.R.	:ソリッド抵抗
Ce.R.	:セメント抵抗
M.R.	:金属被膜抵抗
F.R.	:フューズ抵抗
N.I.R.	:不燃性抵抗
A.R.	:アレー抵抗
C.C.	:セラミック抵抗
C.T.	:温度補償用セラミックコンデンサー
E.C.	:電解コンデンサー
E.L.	:低漏れ電流電解コンデンサー
E.B.	:無極性電解コンデンサー
E.B.L.	:無極性低漏れ電流電解コンデンサー
Ta.C.	:タンタル・コンデンサー
F.C.	:フィルム・コンデンサー
M.P.	:メタライズドペーパーコンデンサー
P.C.	:スチロール・コンデンサー
M.M.C.	:メタライズドマイラーコンデンサー
A.C.	:アレー・コンデンサー
V.R.	:可変抵抗
S.V.R.	:半固定抵抗
S.W.	:スイッチ
Chip.R.	:チップ抵抗
Chip.C.	:チップコンデンサー

・AU-α507Rは、日本向製品です。

・AU-α507R is a model for the Japanese market.

# 1. BLOCK DIAGRAM



\*AU-α507Rでは、  
oD1, D2はジャンパーされています。

AU-X517R    AU-α507R

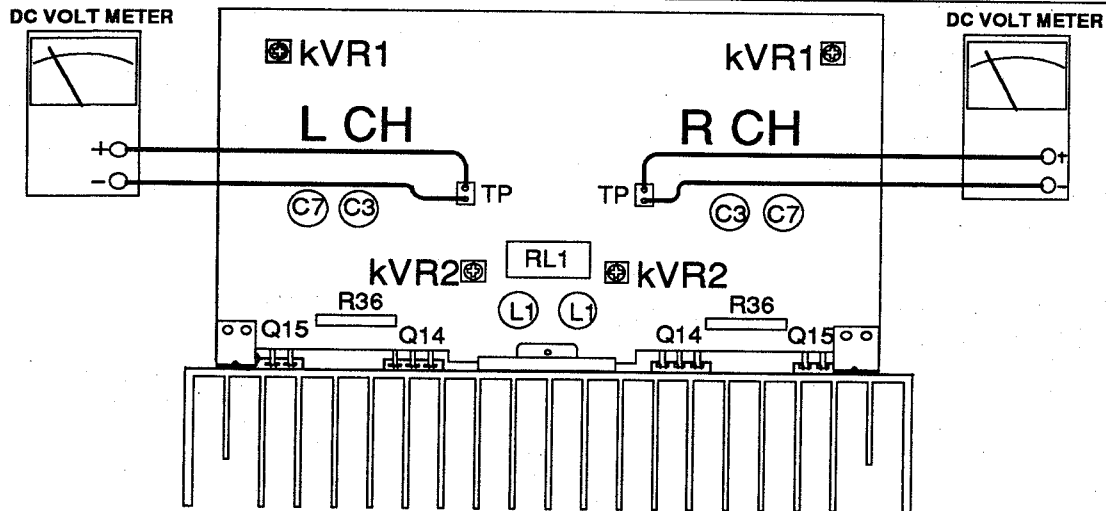
■ で囲んだ部品は、AU-α507Rでは、使用されていません。

## 2.ADJUSTMENT 調整方法

Note: 1. Master Volume Minimum  
 2. Room Temperature 18°C~28°C (65°F~83°F)  
 3. For this adjustment, run the unit for more than 10 minutes after the power is switched ON.  
 4. Before turing ON power switch, set the kVR1 on F-5710 to center position.

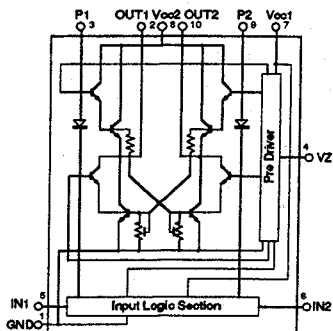
条件: 1. マスターボリューム 最小  
 2. 周囲温度 18°C~28°C  
 3. 電源投入後、10分以上経過してから調整を行う。  
 4. 電源を入れる前に、kVR1を機械的センターにする。

STEP ステップ	SUBJECT 項目	MEASURE OUTPUT 接続箇所	ADJUST 調整箇所	ADJUST FOR 調整	REMARKS 備考
1.	Center DC 0V Adj. <L-CH>	Speakers Terminal<L-CH> DC Volt Meter	kVR1<L-CH> F-5710	DC 0±50mV	
2.	Center DC 0V Adj. <R-CH>	Speakers Terminal<R-CH> DC Volt Meter	kVR1<R-CH> F-5710	DC 0±50mV	
3.	Bias Current Adj. <L-CH>	Test terminal(TP,L-CH) DC Volt Meter	kVR2<L-CH> F-5710	DC 6.6mV	*This bias value is converted from current value to voltage by ohms law. *バイアス電流値は電圧値に換算して測定している。
4.	Bias Current Adj. <R-CH>	Test terminal(TP,R-CH) DC Volt Meter	kVR2<R-CH> F-5710	DC 6.6mV	

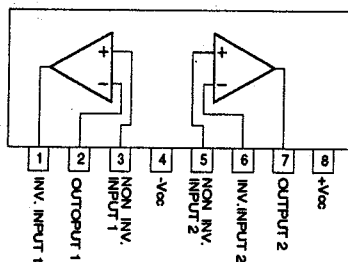


## 3.INTERIOR BLOCK DIAGRAM & TERMINAL FUNCTION OF IC

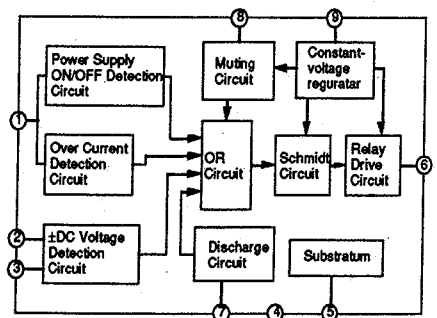
• LB1641<Driving Motor>



• M5220L<OP Amp.>



• TA7317P<Protector>



## • TMP47C440N-754Z<System Control>

Pin No.	I/O	Function	Active
1	I	+5V	
2	I	GND	
3	A/D I	INPUT SELECTOR	
4	A/D I	ERS IN	
5	A/D I	KEY IN	
6	A/D I	REC SELECTOR	
7	O	DECK PAUSE	
8	O	SSB OUT	H
9	O	TU. REMOTE 1	
10	O	TU. REMOTE 2	
11	O	MOTOR VOL +	H
12	O	MOTOR VOL -	H
13	O	MOTOR SEL +	H
14	O	MOTOR SEL -	H
15	O	POWER	H
16	O	MUTE	H
17	O	STANDBY	L
18	O	MUTE LED	L
19	O	PHONO	L
20	O	TUNER	L
21	I	GND	

Pin No.	I/O	Function	Active
22	O	CD	L
23	O	LINE	L
24	O	TAPE1	L
25	O	TAPE2	L
26	I	PROTECT	H
27	I	317/(517)	H
28	I	POWER SW	H
29	I		
30	I		
31	I	X'tal IN	
32	O	X'tal OUT	
33	I	RESET	L
34	I		
35	I/O		
36	I/O		
37	I	REMOTE	L
38	O	STB	H
39	I		
40	O	DATA	
41	O	CLK	L
42	I	+5V	

## 4.PARTS LIST OF BOARD

### F-5710 Power Amp. Board

<Stock No. 01346500=AU- $\alpha$ 507R>

<Stock No. 01346501=AU-X517R>

Parts No.	Stock No.	Description
• TRANSISTOR		
KQ1	46581701	2SC1845
KQ2	46581701	2SC1845
KQ3	46581701	2SC1845
KQ4	46581601	2SA 992
KQ5	46581601	2SA 992
KQ6	46728201	2SA1145
KQ7	46581701	2SC1845
KQ8	46728301	2SC2705
KQ9	46581701	2SC1845
KQ10	46728301	2SC2705
KQ11	46728201	2SA1145
KQ12	46728901	2SC3298
KQ13	46728801	2SA1306
$\triangle$ KQ14	48844201	2SC3856
$\triangle$ KQ15	48844101	2SA1492

## プリント基板部品表

Parts No.	Stock No.	Description
• FET		
KFT1	46723601	2SK389-BL
	or 46723602	2SK389-V
	or 48785701	2SK389-BK
	or 48785702	2SK389-VK
• DIODE		
KD1	03117600	1S2473
	or 46086000	1S1588
KD2	03104800	VARI STOR, SV-03
KD3	03104800	VARI STOR, SV-03
• ZENER DIODE		
KDZ1	46829400	RD22E
	or 46829500	RD22E
	or 46829600	RD22E
KDZ2	46825200	RD6. 2E
	or 46825300	RD6. 2E
	or 46825400	RD6. 2E

<F-5710>

Parts No.	Stock No.	Description
$\Delta$ KR4	46244000	2.2k $\Omega$ 1W N. I. R.
$\Delta$ KR10	46405400	6.8k $\Omega$ 1/2W N. I. R.
$\Delta$ KR17	46228800	68 $\Omega$ 1/2W N. I. R.
$\Delta$ KR18	46251500	820 $\Omega$ 1/2W N. I. R.
$\Delta$ KR19	46251500	820 $\Omega$ 1/2W N. I. R.
$\Delta$ KR25	46228800	68 $\Omega$ 1/2W N. I. R.
$\Delta$ KR30	46229000	100 $\Omega$ 1/2W N. I. R.
$\Delta$ KR31	46229000	100 $\Omega$ 1/2W N. I. R.
$\Delta$ KR32	46230200	1k $\Omega$ 1/2W N. I. R.
$\Delta$ KR33	46229100	120 $\Omega$ 1/2W N. I. R.
$\Delta$ KR34	46227400	4.7 $\Omega$ 1/2W N. I. R.
$\Delta$ KR35	46227400	4.7 $\Omega$ 1/2W N. I. R.
$\Delta$ KR36	46184100	0.22 $\Omega$ 5W Ce. R.
$\Delta$ KR37	46623100	10 $\Omega$ 2W N. I. R.
KL1	46851900	COIL 0.82 $\mu$ H
KVR1	48716300	100 $\Omega$ S. V. R.
or	48978000	100 $\Omega$ S. V. R.
KVR2	48118700	1k $\Omega$ S. V. R.
or	48978600	1k $\Omega$ S. V. R.
· TRANSISTOR		
LQ1	46581701	2SC1845
LQ2	46581601	2SA 992
LQ3	46614001	2SA1283
· IC		
LIC1	46207600	TA7317P
· DIODE		
LD1	03117600	1S2473
or	46086000	1S1588
LD2	03117600	1S2473
or	46086000	1S1588
LD4	03117600	1S2473
or	46086000	1S1588
LD5	48123600	11E2
LC6	48104200	6.3V 220 $\mu$ F E. B.
LRL1	49358900	RELAY
$\Delta$ LR16	46404100	560 $\Omega$ 1/2W N. I. R.
$\Delta$ LR20	46402000	10 $\Omega$ 1/2W N. I. R.

F-6908 EQ Amp. and Selector SW  
Control Board

<Stock No. 01345400=AU- $\alpha$ 507R>

<Stock No. 01345401=AU-X517R>

Parts No.	Stock No.	Description
· IC		
LIC1	46288800	M5220L
$\Delta$ IR13	46402600	33 $\Omega$ 1/2W N. I. R.
$\Delta$ IR14	46402600	33 $\Omega$ 1/2W N. I. R.
· TRANSISTOR		
QQ1	46834300	DTC144ES (AU-X517R)
or	49388300	RN1204
QQ2	48230600	DTC144WS
or	49388800	RN1209
QQ3	46834200	DTA144ES
or	49390500	RN2204
QQ4	46834300	DTC144ES
or	49388300	RN1204
QQ5	46367101	2SC2603 (AU-X517R)
QQ6	46367101	2SC2603 (AU-X517R)
QQ7	48230800	DTC143XS
QQ8	46367001	2SA1115
QQ9	46367001	2SA1115
QQ10	46367101	2SC2603
· IC		
OIC1	49824100	TMP47C440AN-GT54Z
OIC2	48982600	LB1641
OIC3	48982600	LB1641
OX01	49488500	QUARTZ ELEMENT CSA4.19MHz
· DIODE		
OD1	48123600	11E2 (AU-X517R)
OD2	48123600	11E2 (AU-X517R)
OD3	46464100	1SS133
OD4	46464100	1SS133 (AU-X517R)
OD5	46464100	1SS133
OD6	46464100	1SS133
OD7	46464100	1SS133
· ZENER DIODE		
ODZ1	48630800	RD5.1B2
or	49676200	MTZJ5.1B
ODZ2	48630800	RD5.1B2
or	49676200	MTZJ5.1B
OC1	48798200	5.5V 220 $\mu$ F E. C. (AU-X517)
OC2	48748400	50V 0.1 $\mu$ F C. C.
OC4	48748400	50V 0.1 $\mu$ F C. C.
OS1	49824300	PUSH SWITCH MM/MC
OS2	49825500	MOTOR SW., INPUT SELECTOR
OS4	07200200	SLIDE SW., REC SELECTOR

<F-6908>

Parts No.	Stock No.	Description
OZ2	49487600	PIN JACK TERMINAL 2P, PHONO
OZ3	48791800	PIN JACK TERMINAL 2P, TUNER
OZ4	49339500	PIN JACK TERMINAL 2P, CD
OZ5	49360700	PIN JACK TERMINAL 6P, LINE, TAPE1, TAPE2
$\Delta$ OR25	46401600	4.7 $\Omega$ 1/2W N. I. R.
$\Delta$ OR26	46401600	4.7 $\Omega$ 1/2W N. I. R.

**F-6909 Tone Control Board**

<Stock No. 01345500=AU- $\alpha$ 507R>  
<Stock No. 01345501=AU-X517R>

Parts No.	Stock No.	Description
JC1	48479600	63V 0.22 $\mu$ F M. M. C.
JC16	48103000	50V 0.22 $\mu$ F E. B.
JVR1	49825900	250k $\Omega$ V. R. , BALANCE
JVR3	49826000	50k $\Omega$ V. R. , TONE CONTROL
JVR4	49826000	50k $\Omega$ V. R. , TONE CONTROL
NLD3	49343200	L. E. D. SEL3810A
NLD4	49343200	L. E. D. SEL3810A
NLD5	49343200	L. E. D. SEL3810A
NLD6	49343200	L. E. D. SEL3810A
NLD7	49343200	L. E. D. SEL3810A
NLD8	49343200	L. E. D. SEL3810A
OS3	49825600	ROTARY SW. , INPUT SELECTOR
OS6	49825400	PUSH SW. , SOURCE DIRECT
OS7	49825200	PUSH SW. , SUBSONIC
OS8	49825700	ROTARY SW. , PRESENCE

**F-6910 Master Volume Board**

Parts No.	Stock No.	Description
JVR2	49826100	150k(B) V. R. , VOLUME

**F-6911 Tape REC Terminal Board**

Parts No.	Stock No.	Description
OZ6	49359800	PIN JACK TERMINAL 4P, TAPE1, 2 REC

**F-6912 Remote Sensor Board**

Parts No.	Stock No.	Description
NLD1	49639100	L. E. D. SEL3110S PROTECTOR (AU- $\alpha$ 507R) REMOTE STANDBY (AU-X517R)
NLD2	48904700	L. E. D. SEL3810A, MUTING
OIC4	49356200	REMOTE RECEIVE UNIT GP1U521X

**F-6913 Control Jack Board**  
(AU-X517R)

Parts No.	Stock No.	Description
OJ2	49436400	JACK, BLUE
OJ3	48985400	MINI JACK, BLACK
OJ4	48985400	MINI JACK, WHITE

**F-6914 Power SW Board (AU-X517R)**

Parts No.	Stock No.	Description
OS10	46199800	PUSH SWITCH , POWER SW

**F-6915 Power Supply Board**

<Stock No. 01346200=AU- $\alpha$ 507R>  
<Stock No. 01346201=AU-X517R>

Parts No.	Stock No.	Description
· TRANSISTOR		
$\Delta$ MQ1	48061801	2SC3244
$\Delta$ MQ2	48064001	2SA1284
$\Delta$ MQ3	03083901	2SD 313HP
MQ4	46581701	2SC1845
$\Delta$ MQ5	03083901	2SD 313HP (AU-X517R)
MQ6	46614101	2SC3243 (AU-X517R)
· IC		
$\Delta$ MIC1	49440400	NJM78M05FA
· DIODE		
$\Delta$ MD1	48667600	FMU-22S
$\Delta$ MD2	48667700	FMU-22R
$\Delta$ MD3	46273600	DBB10B
	or 46273700	DBB10C
$\Delta$ MD4	03117000	RB152-LFF
$\Delta$ MD5	46273700	DBB10C (AU-X517R)
MD6	48123600	11E 2 (AU-X517R)
MD7	03117600	1S2473T77
	or 46086000	1S1588TP-3

<F-6915>

Parts No.	Stock No.	Description
· ZENER DIODE		
MDZ1	46829300	RD22E-B1
	or 46829400	RD22E-B2
	or 46829500	RD22E-B3
MDZ2	46829300	RD22E-B1
	or 46829400	RD22E-B2
	or 46829500	RD22E-B3
MDZ3	46826400	RD9.1E-B1
	or 46826500	RD9.1E-B2
	or 46826600	RD9.1E-B3
	or 49304400	05AZ9.1-X
	or 49304500	05AZ9.1-Y
	or 49304600	05AZ9.1-Z
MDZ4	46827700	RD13E-B1 (AU-X517R)
	or 46827800	RD13E-B2
	or 46827900	RD13E-B3
	or 49305900	05AZ13-Z
MC1	48912500	63V 10000 μF E.C
	or 49838700	63V 10000 μF E.C.
MC2	48912500	63V 10000 μF E.C.
	or 49838700	63V 10000 μF E.C.
MC1	49838700	63V 10000 μF E.C.
MC2	49838700	63V 10000 μF E.C.
MC3	08680400	0.01 μF 500V C.C.
MC4	08680400	0.01 μF 500V C.C.
MC11	08680400	0.01 μF 500V C.C.
MC18	08680400	0.01 μF 500V C.C. (AU-X517R)
▲ MPT2	15040001	P. T. (AU-X517R) XX, SS
	15040005	P. T. (AU-X517R) EU

F-6916 Power Fuse Board

Parts No.	Stock No.	Description
· DIODE		
PD1	48123600	11E2 (AU-X517R)
▲ PC2	46425800	0.01 μF 400V C. C. (AU-X517R)
▲ PF1	49628300	7A 250V FUSE (AU-α507R)
	49627900	3.5A250V FUSE (AU-X517R) XX, SS
	49297400	3.15A FUSE (AU-X517R) EU
▲ PF2	49627900	3.5A250V FUSE (AU-X517R) XX, SS
▲ PRL1	48982000	RELAY (DC12V) (AU-X517R)

F-6917 Speaker SW Board

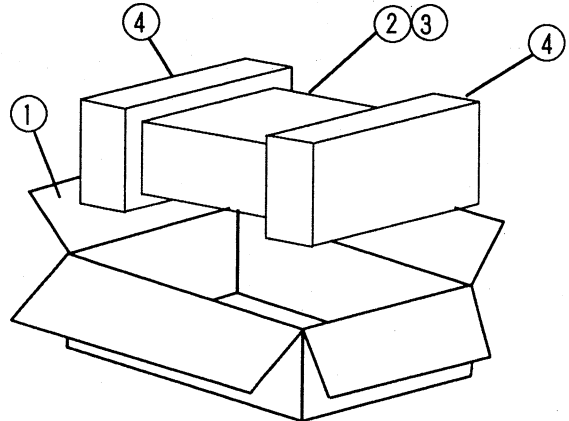
Parts No.	Stock No.	Description
KR39	46624700	220Ω 2W N. I. R.
OS9	49825300	PUSH SWITCH SPEAKER
OJ1	49474000	JACK, HEAD PHONE

F-6918 Speaker Terminal Board

Parts No.	Stock No.	Description
KR100	46623100	10Ω 2W N. I. R.
KR101	46623100	10Ω 2W N. I. R.
OZ1	48569100	SP. TERMINAL 8P (AU-α507R)
	48123100	SP. TERMINAL 8P (AU-X517R)

**5.PACKING LIST**

Parts No.	Stock No.	Description
①	05172200	CARTON CASE (AU-α507R)
	05172300	CARTON CASE (AU-X517R)
②	07868300	POLYETHYLENE SHEET
③	27306700	VINYL BAG
④	27395310	STYROFOAM PACKING



**6.ACCESSORY LIST**

Stock No.	Description
19082800	OPERATING INSTRUCTIONS (AU-α507R)
19082900	OPERATING INSTRUCTIONS ※(E)
19083000	OPERATING INSTRUCTIONS ※(E,F,S,G,I,Sw,N)
49826300	REMOTE CONTROLLER UNIT RS-1480 (AU-α507R)
83334500	REMOTE CONTROLLER UNIT RS-1490 (AU-X517R)
.....	DRY BATTERY, UM-4×2

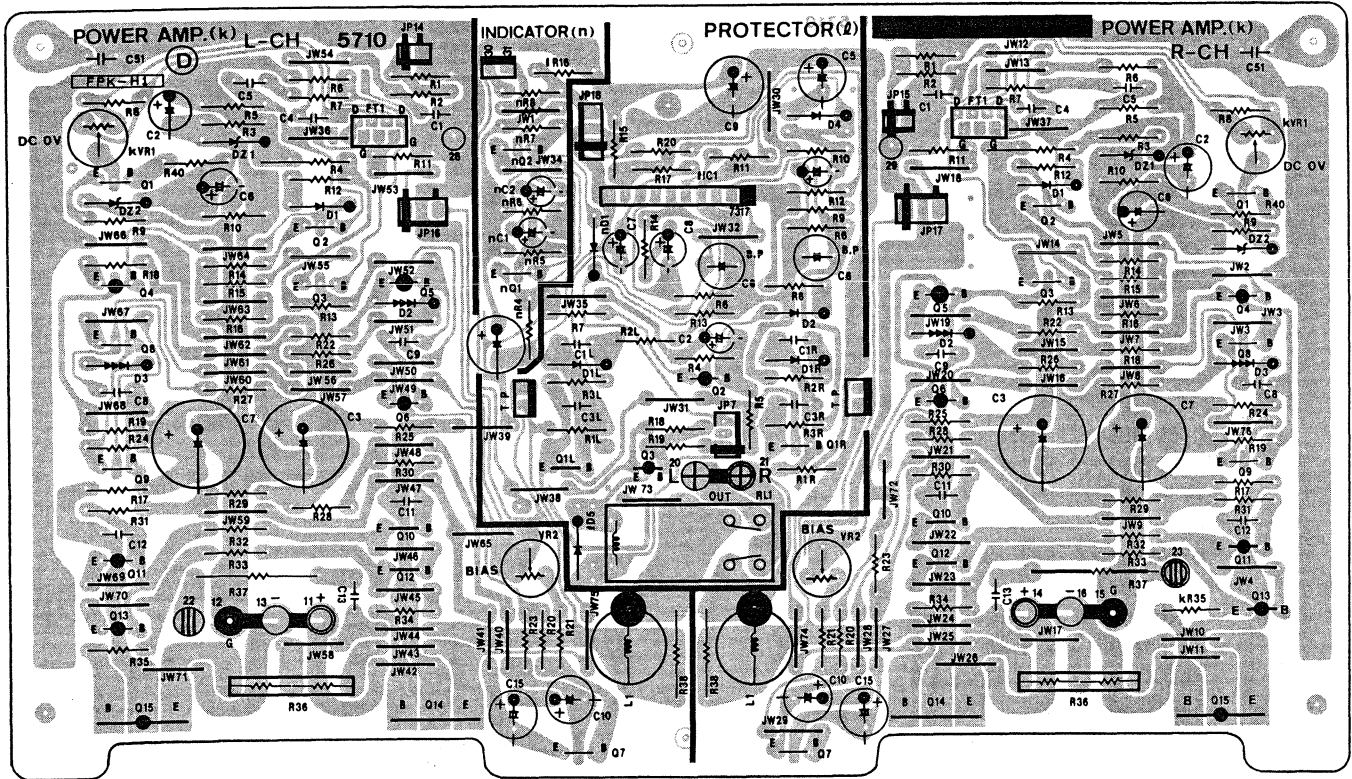
※NOTE

E: English Version  
 E.F.S.G.I.Sw.N: English, French, Spanish, German, Italian, Swedish and Netherlands Version

# 7.PARTS LOCATION ON BOARD

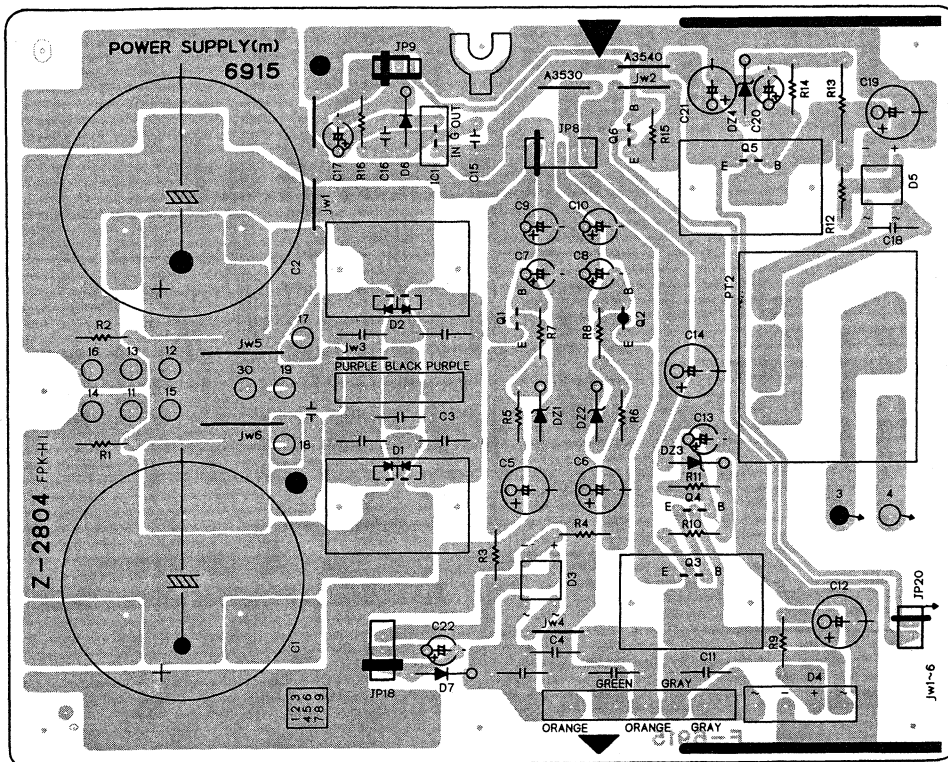
## 7-1 F-5710 Power Amp Board

Component Side



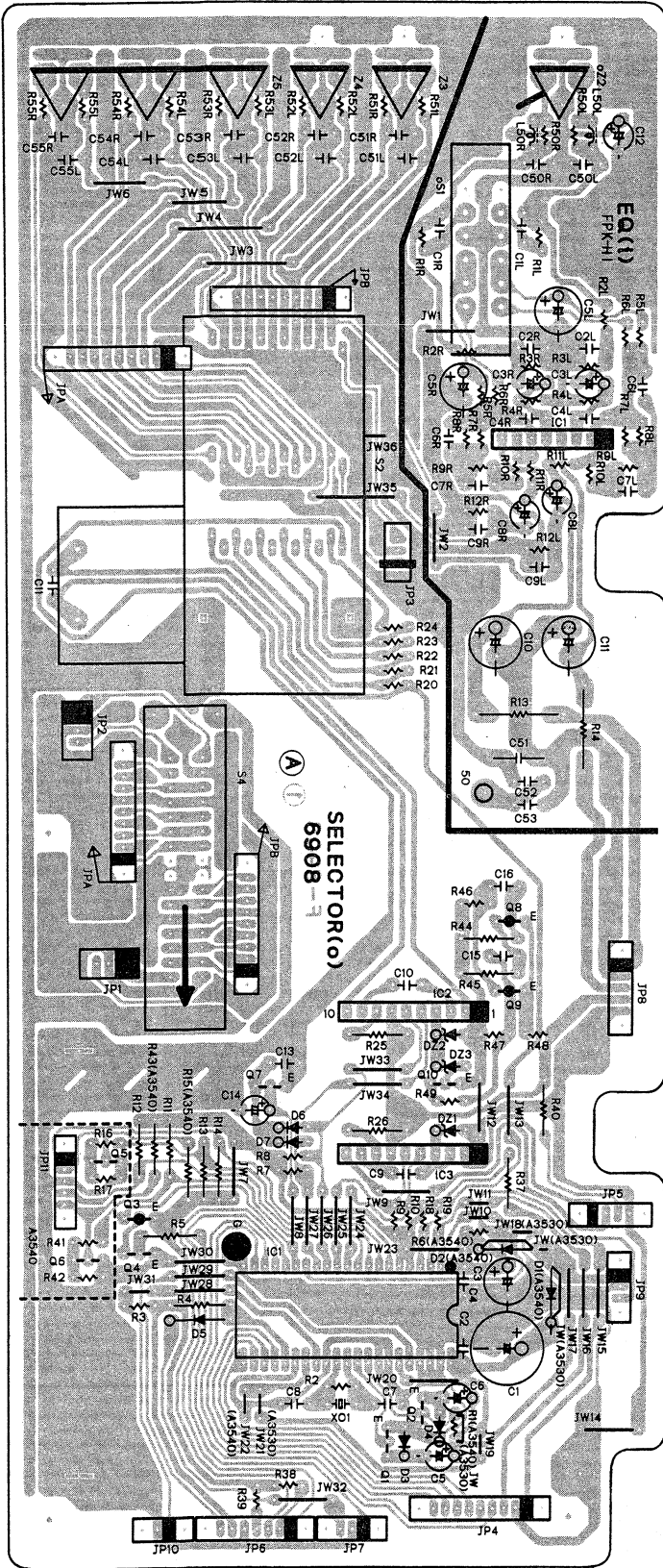
## 7-2 F-6915 Power Supply Board

Component Side

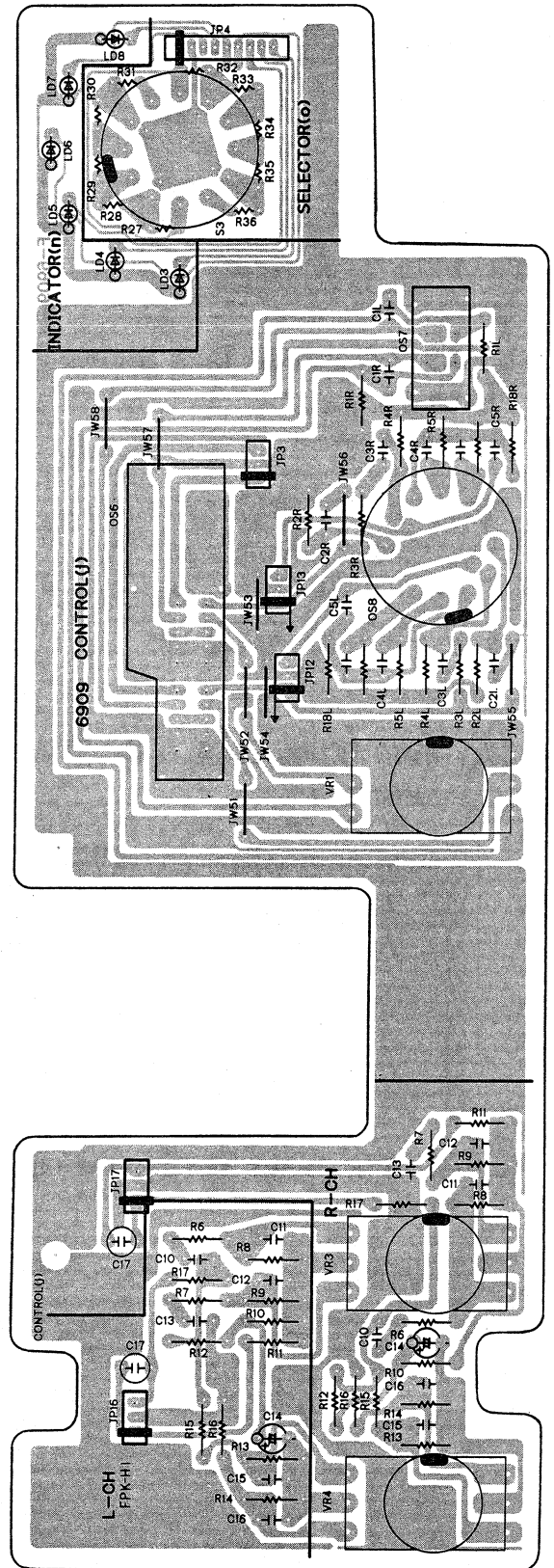




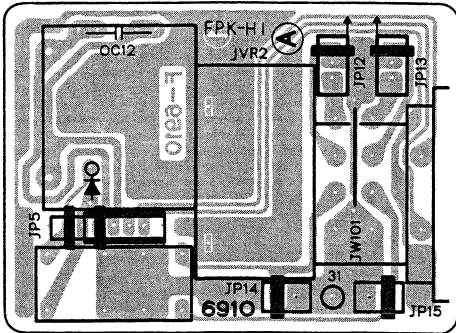
### 7-3 F-6908 EQ Amp & Control Board Component Side



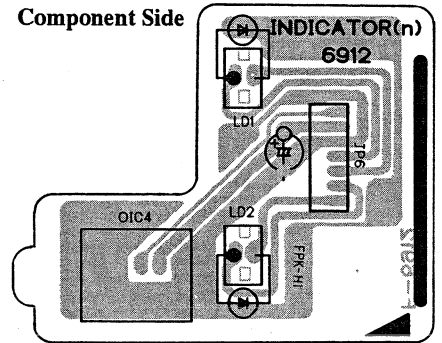
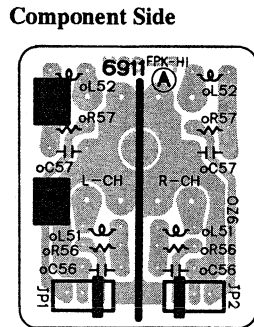
### 7-4 F-6909 Tone Control Board Component Side



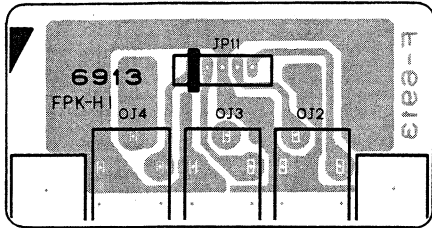
**7-5 F-6910 Volume Board**  
Component Side



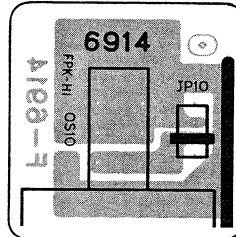
**7-6 F-6911 Tape Rec Terminal Board**      **7-7 F-6912 Remote Sensor Board**



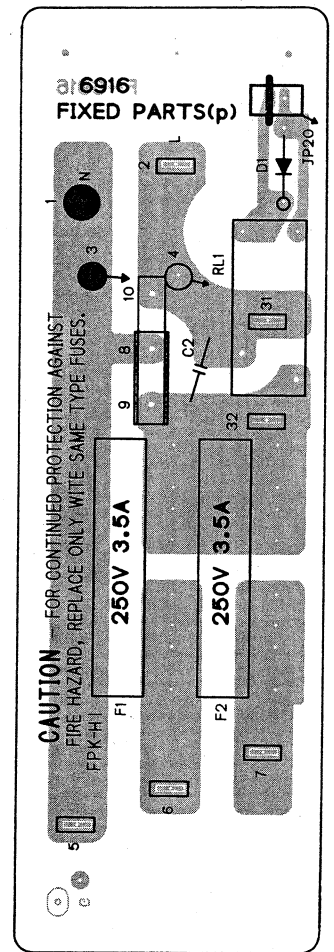
**7-8 F-6913 Control Jack Board**  
(AU-X517R Only)  
Component Side



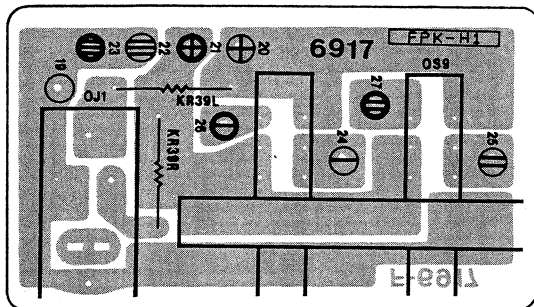
**7-9 F-6914 Power SW Board**  
(AU-X517R Only)  
Component Side



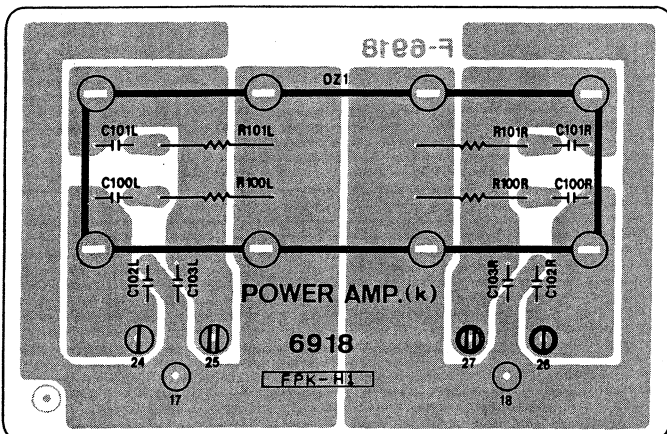
**7-10 F-6916 Power Fuse Board**  
Component Side



**7-11 F-6917 Phone Jack & SP SW Board**  
Component Side

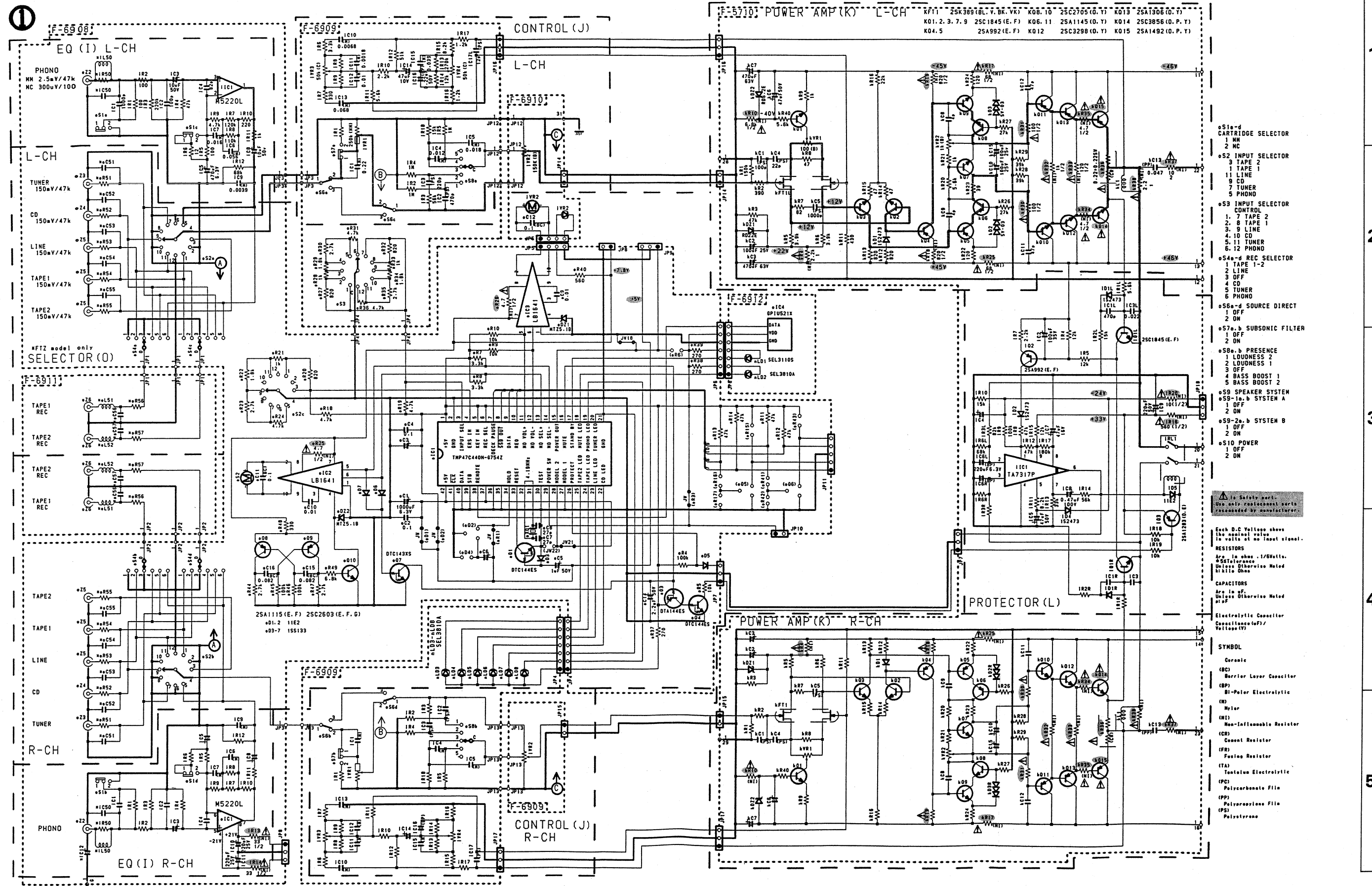


**7-12 F-6918 Speaker Terminal Board**  
Component Side



# 8. SCHEMATIC DIAGRAM 8-1. AU-α507R Main Section

• Design and specifications subject to change without notice for improvement.  
 • La présentation et les spécifications sont susceptibles d'être modifiées sans préavis par suites d'améliorations éventuelles.  
 • Änderungen, die dem technischen Fortschritt dienen, bleiben vorbehalten.  
 • 改良のため、予告なく意匠、仕様の一部を変更することがあります。



- S1e-d CARTRIDGE SELECTOR
  - 1 MM
  - 2 MC
- S2 INPUT SELECTOR
  - 3 TAPE 2
  - 1 TAPE 1
  - 11 LINE
  - 9 CD
  - 7 TUNER
  - 5 PHONO
- S3 INPUT SELECTOR CONTROL
  - 1. 7 TAPE 2
  - 2. 8 TAPE 1
  - 3. 9 LINE
  - 4. 10 CD
  - 5. 11 TUNER
  - 6. 12 PHONO
- S4a-d REC SELECTOR
  - 1 TAPE 1-2
  - 2 LINE
  - 3 OFF
  - 4 CD
  - 5 TUNER
  - 6 PHONO
- S6a-d SOURCE DIRECT
  - 1 OFF
  - 2 ON
- S7a-b SUBSONIC FILTER
  - 1 OFF
  - 2 ON
- S8a-b PRESENCE
  - 1 LOUDNESS 2
  - 2 LOUDNESS 1
  - 3 OFF
  - 4 BASS BOOST 1
  - 5 BASS BOOST 2
- S9 SPEAKER SYSTEM
  - S9-1a, b SYSTEM A
    - 1 OFF
    - 2 ON
  - S9-2a, b SYSTEM B
    - 1 OFF
    - 2 ON
- S10 POWER
  - 1 OFF
  - 2 ON

Each D.C. Voltage shows the actual value in volts at no input signal.

**RESISTORS**  
 Are in ohms - 1/5Watts.  
 \*Solderless  
 Unless Otherwise Noted as in the Ohms

**CAPACITORS**  
 Are in μF.  
 Unless Otherwise Noted as μF

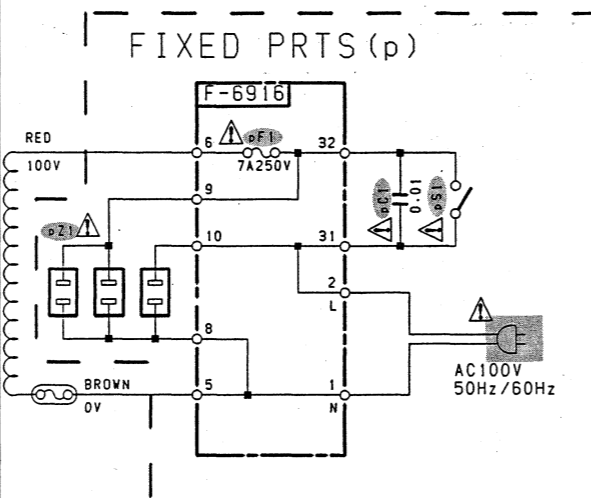
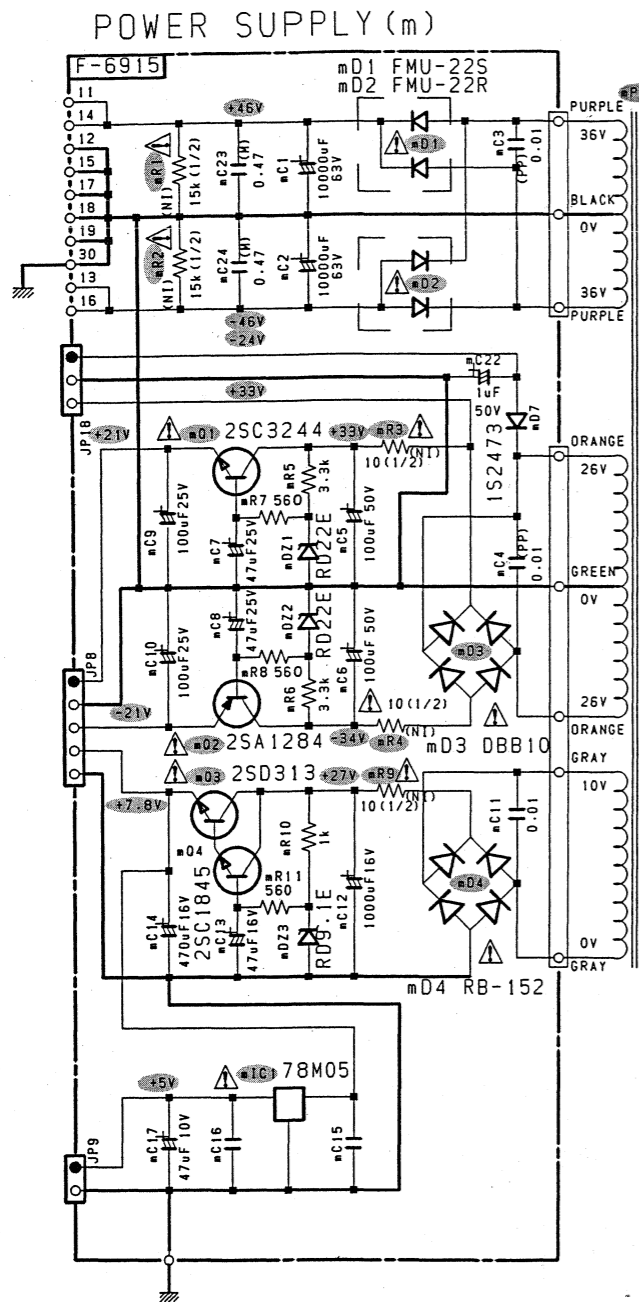
Electrolytic Capacitor Capacitance (μF) / Voltage (V)

**SYMBOL**  
 Ceramic (C)  
 Barrier Layer Capacitor (BC)  
 Bi-Polar Electrolytic (BP)  
 Mylar (M)  
 Non-Inflammable Resistor (CR)  
 Constant Resistor (FR)  
 Fusing Resistor (FRT)  
 Tantalum Electrolytic (TA)  
 Polycarbonate Film (PC)  
 Polypropylene Film (PP)  
 Polyester (PS)

— SIGNAL LINE

8-2.AU-α507R Power Supply Section

2



⚠ is Safety part.  
Use only replacement parts recommended by manufacturer.

**RESISTORS**  
Are in ohms, 1/6Watts, ±5% Tolerance Unless Otherwise Noted. k:kilo Ohms

**CAPACITORS**  
Are in  $\mu$ F, Unless Otherwise Noted p:pF

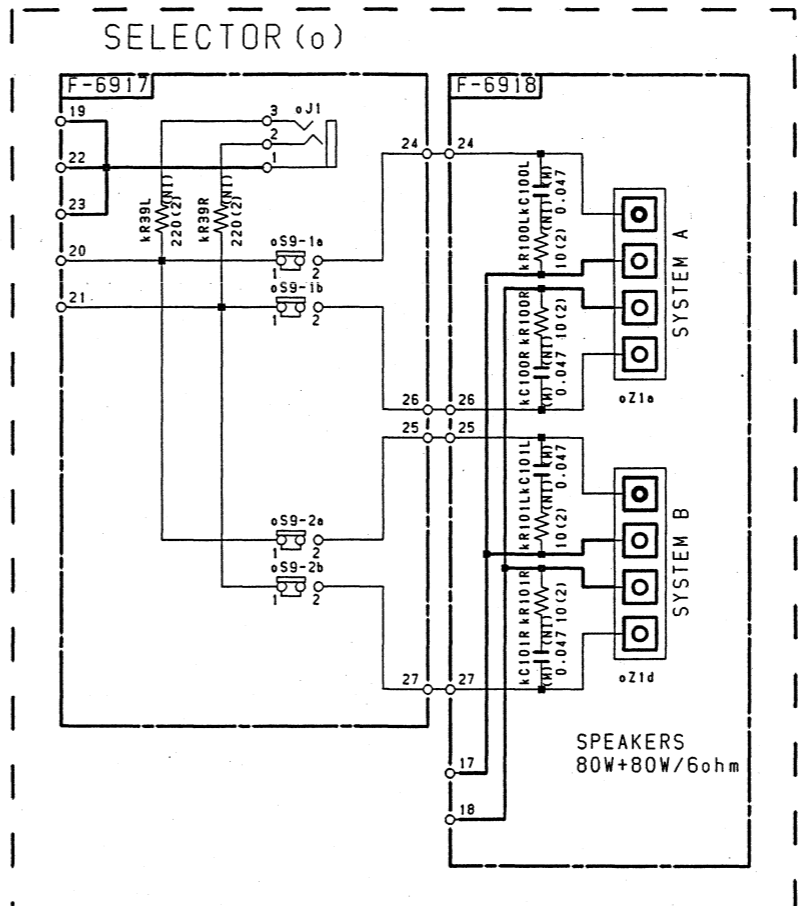
Electrolytic Capacitor  
Capacitance ( $\mu$ F)/Voltage (V)

Each D.C Voltage shows the nominal value in volts at no input signal.

**SYMBOL**

(BC) Ceramic  
(BP) Barrier Layer Capacitor  
(BE) Bi-Polar Electrolytic  
(M) Mylar  
(NI) Non-Inflammable Resistor  
(CR) Cement Resistor  
(FR) Fusing Resistor  
(TA) Tantalum Electrolytic  
(PC) Polycarbonate Film  
(PP) Polypropylene Film  
(PS) Polystyrene

• Design and specifications subject to change without notice for improvement.  
• La présentation et les spécifications sont susceptibles d'être modifiées sans préavis par suites d'améliorations éventuelles.  
• Änderungen, die dem technischen Fortschritt dienen, bleiben vorbehalten.  
• 改良のため、予告なく意匠、仕様の一部を変更することがあります。



- 1S1588
- 1S2473
- 11E2
- SV-03
- 1S133
- RB-152
- DBB10B
- FMU-22S
- FMU-22R
- 2SK389
- M5220L
- TA7317P
- LB1641
- TMP47C440N
- NJM78M05
- SEL3810
- SEL3110S
- 2SA1145
- 2SA1283
- 2SA1284
- 2SA992
- 2SC1845
- 2SC2705
- 2SC3243
- 2SC3244
- 2SA1306
- 2SC3298
- 2SD313
- 2SA1492
- 2SC3856
- 2SA1115
- 2SC2603
- DTA144
- DTC143
- RN1204
- RN1209
- RN2204
- RD13E
- RD22E
- RD6.2E
- RD9.1E
- RD5.1B
- 05AZ13
- MTZ5.1B
- 05AZ9.1

1

2

3

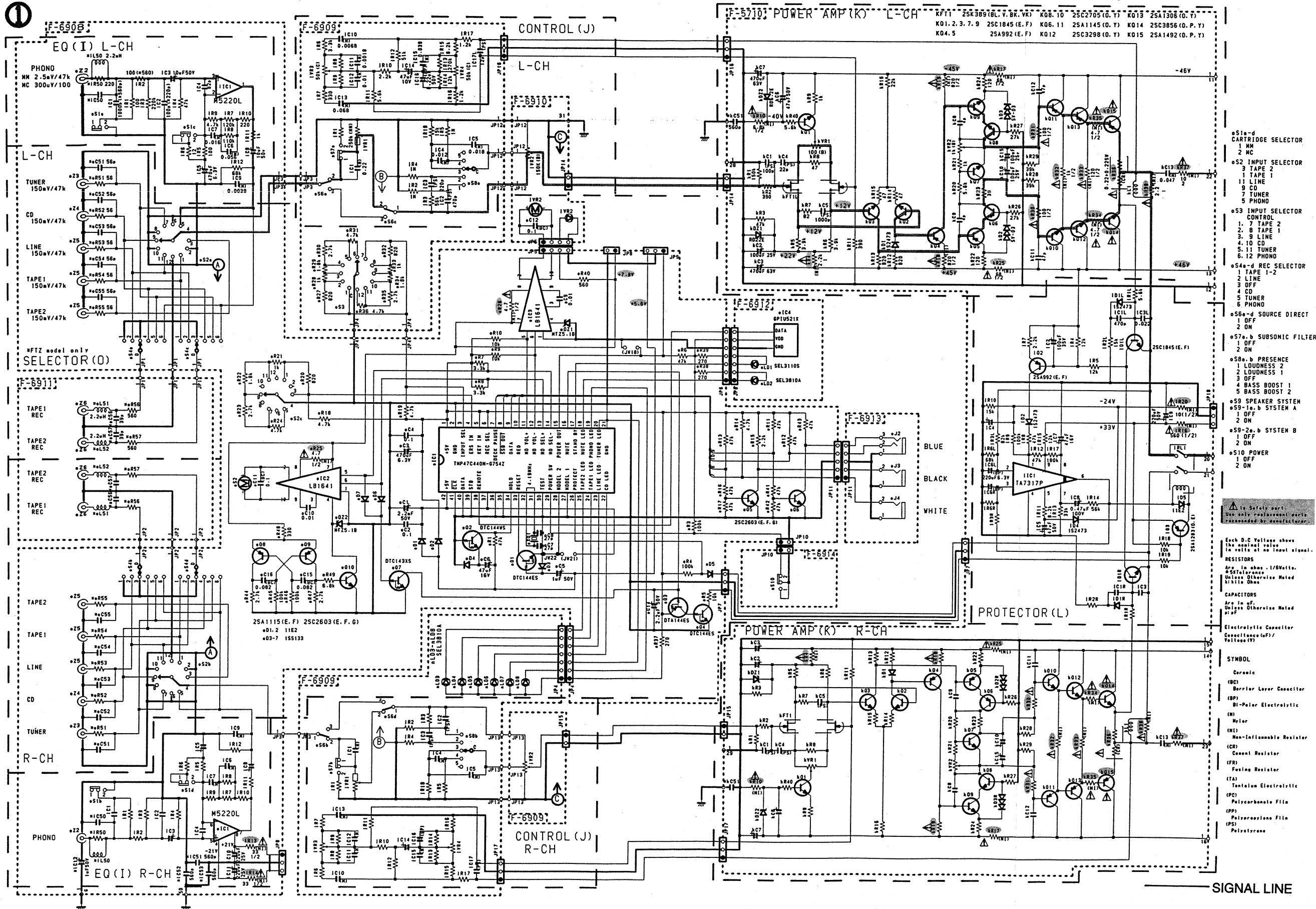
4

5



8-3.AU-X517R Main Section

Design and specifications subject to change without notice for improvement.  
 La présentation et les spécifications sont susceptibles d'être modifiées sans préavis par suites d'améliorations éventuelles.  
 Änderungen, die dem technischen Fortschritt dienen, bleiben vorbehalten.  
 改良のため、予告なく意匠、仕様の一部を変更することがあります。



- S1a-d CARTRIDGE SELECTOR
  - 1 MM
  - 2 MC
- S2 INPUT SELECTOR
  - 1 TAPE 1
  - 11 LINE
  - 9 CD
  - 7 TUNER
  - 5 PHONO
- S3 INPUT SELECTOR
  - 1. 7 TAPE 2
  - 2. 8 TAPE 1
  - 3. 9 LINE
  - 4. 10 CD
  - 5. 11 TUNER
  - 6. 12 PHONO
- S4a-d REC SELECTOR
  - 1 TAPE 1-2
  - 2 LINE
  - 10 CD
  - 4 CD
  - 5 TUNER
  - 6 PHONO
- S5a-d SOURCE DIRECT
  - 1 OFF
  - 2 ON
- S7a, b SUBSONIC FILTER
  - 1 OFF
  - 2 ON
- S8a, b PRESENCE
  - 1 LOUDNESS 2
  - 2 LOUDNESS 1
- S9 SPEAKER SYSTEM
  - 1 OFF
  - 2 ON
- S9-1a, b SYSTEM A
  - 1 OFF
  - 2 ON
- S9-2a, b SYSTEM B
  - 1 OFF
  - 2 ON
- S10 POWER
  - 1 OFF
  - 2 ON

Each D.C. Voltage shows the nominal value in volts at no input signal.

RESISTORS  
 Are in ohms, 1/6Watts.  
 \*S1a-f are 1/2Watts.  
 Unless otherwise noted  
 5% tolerance

CAPACITORS  
 Are in pF.  
 Unless otherwise noted  
 5% tolerance

Electrolytic Capacitor  
 Capacitance (uF) /  
 Voltage (V)

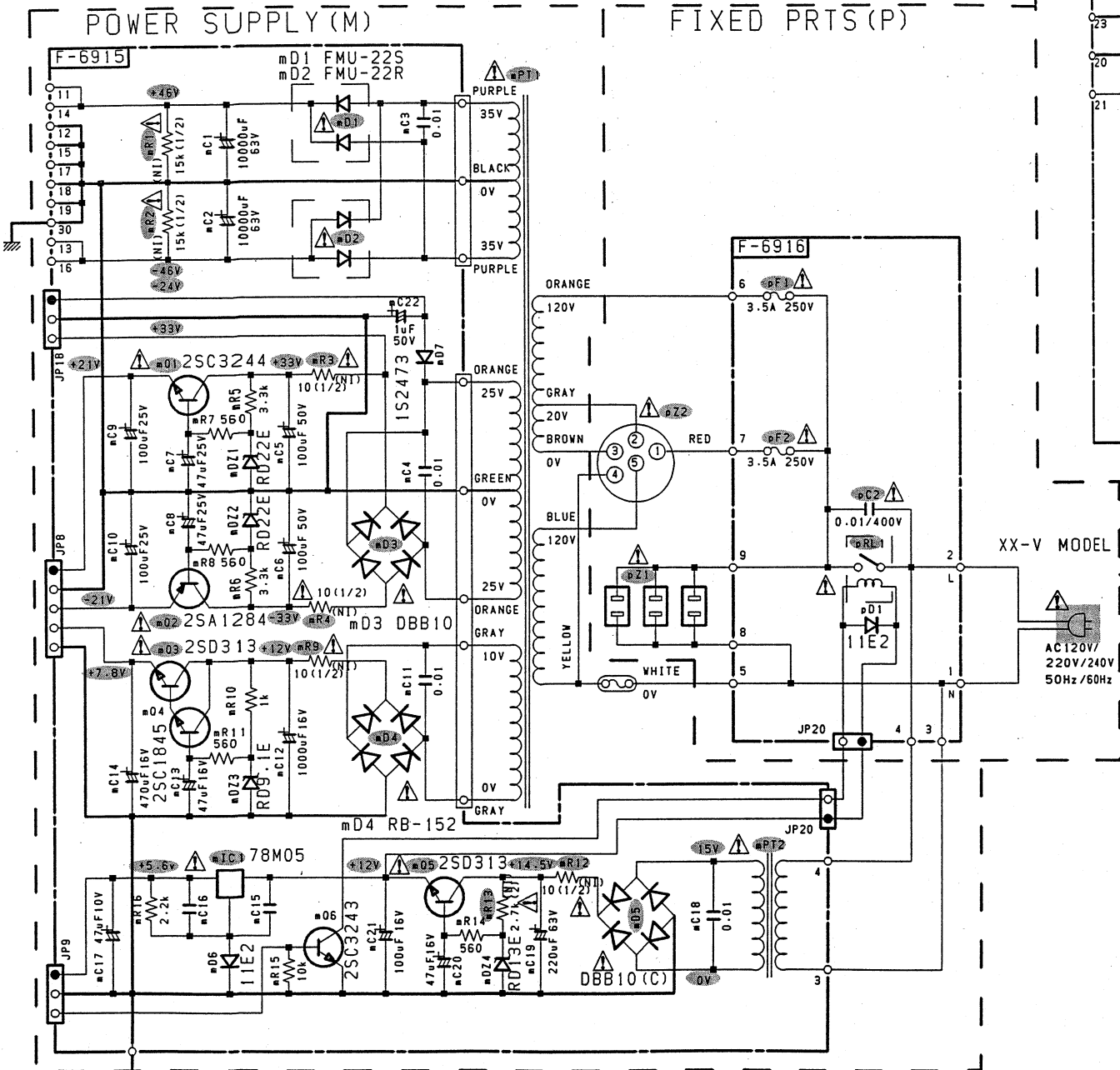
- SYMBOL
- (C) Ceramic
  - (BC) Barrier Layer Capacitor
  - (BP) Bi-Polar Electrolytic
  - (M) Mylar
  - (MI) Non-Inflammable Resistor
  - (CR) Carbon Resistor
  - (FR) Ferrite Resistor
  - (TA) Tantalum Electrolytic
  - (PC) Polycarbonate Film
  - (PF) Polyester Film
  - (PS) Polystyrene

1  
2  
3  
4  
5  
12

8-4. AU-X517R Power Supply Section

• Design and specifications subject to change without notice for improvement.  
 • La présentation et les spécifications sont susceptibles d'être modifiées sans préavis par suites d'améliorations éventuelles.  
 • Änderungen, die dem technischen Fortschritt dienen, bleiben vorbehalten.  
 • 改良のため、予告なく意匠、仕様の一部を変更することがあります。

②



**RESISTORS**  
 Are in ohms .1/6Watts.#5XTolerance  
 Unless Otherwise Noted. k:kilo Ohms

**CAPACITORS**  
 Are in uF. Unless Otherwise Noted  
 p:pF

Electrolytic Capacitor  
 Capacitance(uF)/Voltage(V)

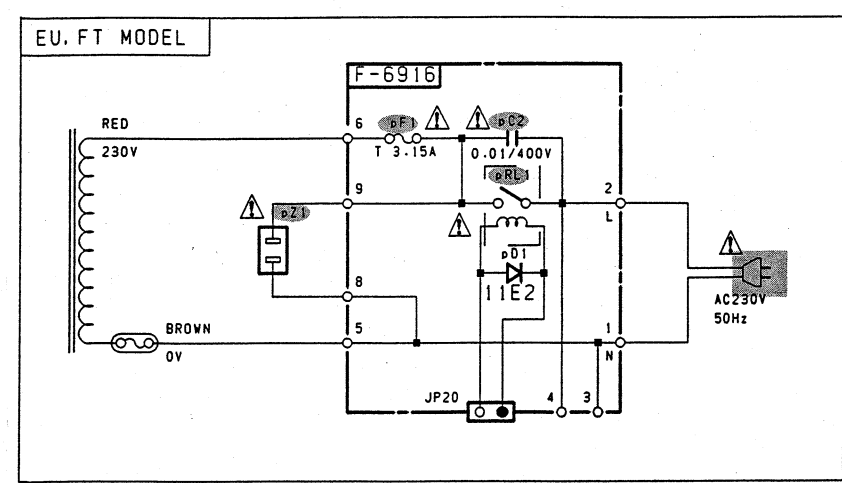
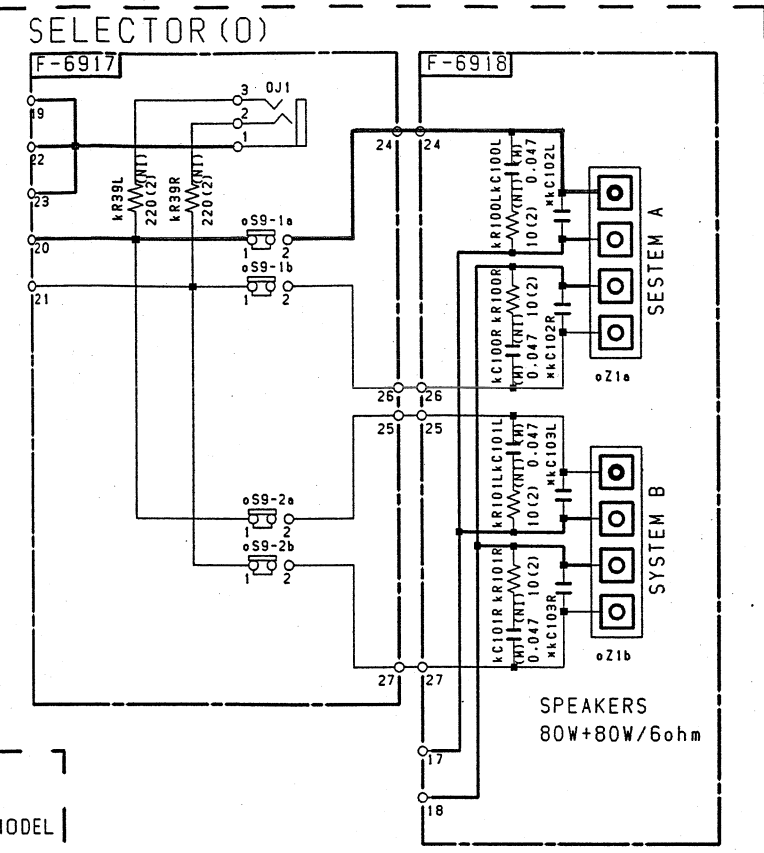
Each D.C Voltage shows the nominal value  
 in volts at no input signal.

**SYMBOL**

(BC) Barrier Layer Capacitor  
 (BP) Bi-Polar Electrolytic  
 (M) Mylar  
 (NI) Non-Inflammable Resistor  
 (CR) Cement Resistor  
 (FR) Fusing Resistor  
 (TA) Tantalum Electrolytic  
 (PC) Polycarbonate Film  
 (PP) Polypropylene Film  
 (PS) Polystyrene

⚠ Safety part  
 Use only replacement parts  
 recommended by manufacturer.

— SIGNAL LINE

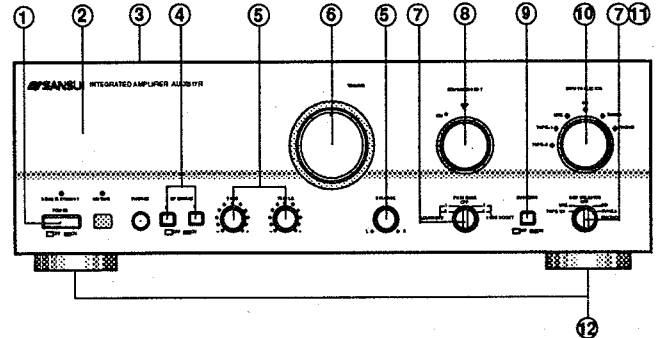


- 1S1588
- 1S2473
- 11E2
- SV-03
- 1SS133
- RB-152
- DBB10B
- FMU-22S
- FMU-22R
- 2SK389
- M5220L
- TA7317P
- LB1641
- TMP47C440N
- NJM78M05
- SEL3810
- SEL3110S
- 2SA1145
- 2SA1283
- 2SA1284
- 2SA992
- 2SC1845
- 2SC2705
- 2SC3243
- 2SC3244
- 2SA1306
- 2SC3298
- 2SD313
- 2SA1492
- 2SC3856
- 2SA1115
- 2SC2603
- DTA144
- DTC143
- RN1204
- RN1209
- RN2204
- RD13E
- RD22E
- RD6.2E
- RD9.1E
- RD5.1B
- 05AZ13
- MTZ5.1B
- 05AZ9.1

## 9. OTHER PARTS 基板外部品表

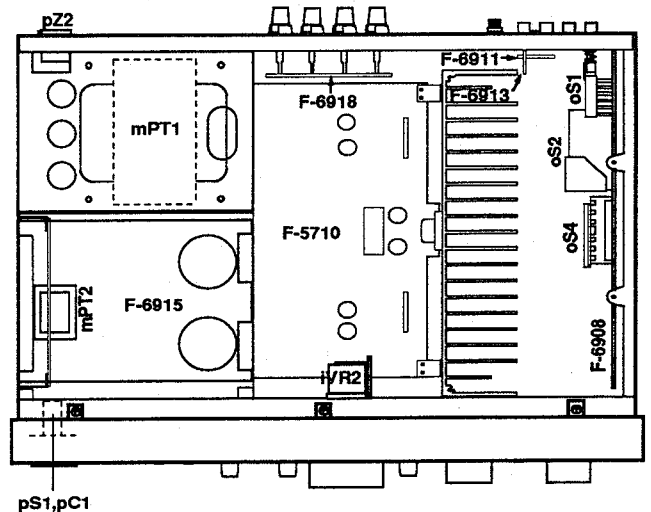
### Front View

Parts No.	Stock No.	Description
①	05169800	KNOB POWER SW.
②	05170700	FRONT PANEL (AU-AL507R)
	05170800	FRONT PANEL (AU-X517R)
③	05185400	BONNET XX, SS
	05190700	BONNET EU
④	05169600	KNOB SPEAKER SW.
⑤	85075400	KNOB BALANCE, BASS, TREBLE
⑥	05170300	KNOB MASTER VOLUME
⑦	05170000	KNOB REC SELECTOR, PRESENCE
⑧	05170200	KNOB SOURCE DIRECT
⑨	05189700	KNOB SUBSONIC
⑩	05170100	KNOB INPUT SELECTOR
⑪	49826200	ROTARY SW.
⑫	05073000	LEG



### Top View

Parts No.	Stock No.	Description
△ MPT1	15042600	P. T. (AU-AL507R)
△ MPT1	15042709	P. T. (AU-X517R )XX, SS
	15042705	P. T. (AU-X517R )EU
△ PS1	48866600	POWER SWITCH (AU- $\alpha$ 507R)
△ PC1	46425800	0.01 $\mu$ F 400V C. C.



## Specifications

### Power output

Min.RMS, both channels driven, from 20 to 20,000Hz, with no more than 0.015% total harmonic distortion.

65 watts per channel into 8 ohms.

### DIN

85 watts per channel into 4 ohms.

### Load Impedance

A, B 4 to 16 ohms

A+B 8 to 16 ohms

### Total harmonic distortion

less than 0.015%  
at or below rated min.  
RMS power output

### Frequency response (at 1 watt)

Overall (from CD) 5 to 100,000 Hz,  
+0 dB, -3dB

### RIAA curve deviation (PHONO-MM, 20Hz to 20 kHz)

+0.5 dB, -0.5 dB

### Input sensitivity and impedance (at 1 kHz)

PHONO (MC) 350  $\mu$ V / 100 ohms

PHONO (MM) 2.5mV / 47 kohms

(Max. input capability: 210 mV at 1 kHz, less than 0.01% total harmonic distortion)

CD, TUNER, LINE 150 mV / 47 kohms

TAPE PLAY-1, 2 150 mV / 47 kohms

### Output level (at 1 kHz)

TAPE REC-1, 2 150 mV into 47 kohms

### Signal to noise ratio (short-circuit)

PHONO (MC) 70 dB

PHONO (MM) 88 dB

CD, TUNER, LINE 105 dB

TAPE PLAY-1, 2 105 dB

### Controls and Filter

BASS  $\pm$ 8 dB at 50 Hz

TREBLE  $\pm$ 8 dB at 15 kHz

SUBSONIC -3 dB at 16 Hz (6 dB/oct)

### Power requirement

AC 120V / 220V / 240V,

(50 / 60 Hz)

For European AC 230 V (50 Hz)

For U.S.A. & Canada AC 120 V (60 Hz)

### Power consumption

400 watts Rated

500 watts Maximum

### Dimensions

430 mm (16-15/16") W

135 mm (5-5/16") H

331 mm (13") D

### Weight

12 kg (26.5lbs) net

\* Design and specifications subject to changes without notice for improvements.

\* Due to local laws and regulations, this unit sold in some areas are not equipped with variable voltage selectors.

## 規格

### 【パワーアンプ部】

帯域実効出力 (20Hz ~ 20kHz, 両チャンネル同時動作)

8 $\Omega$  80W+80W

全高調波歪率 (20Hz ~ 20kHz)

8 $\Omega$  (実効出力時) 0.008%以下

混変調歪率 (60Hz : 7,000Hz = 4 : 1, SMPTE法)

0.008%以下

ダンピングファクター (1kHz)

8 $\Omega$  135

周波数特性 (1W)

1 ~ 200kHz, +0dB, -3dB

負荷インピーダンス

A, B 4 ~ 16 $\Omega$

A+B 8 ~ 16 $\Omega$

### 【プリアンプ部】

入力感度/入力インピーダンス (1,000Hz)

PHONO (MC) 300  $\mu$ V / 100 $\Omega$

PHONO (MM) 2.5mV / 47k $\Omega$

TUNER, CD, LINE 150mV / 47k $\Omega$

TAPE/DAT PLAY-1, 2 150mV / 47k $\Omega$

最大許容入力 (1,000Hz)

PHONO (MC, 全高調波歪率 : 0.08%) 25mV

PHONO (MM, 全高調波歪率 : 0.01%) 210mV

出力電圧/出力インピーダンス (1,000Hz)

TAPE/DAT REC-1, 2 150mV / 1k $\Omega$ 以下

周波数特性 (1W)

PHONO (MM)

(RIAA偏差) 20Hz ~ 20kHz  $\pm$ 0.5dB (REC OUT)

TUNER, CD, LINE 1 ~ 200kHz, +0dB, -3dB

TAPE/DAT PLAY-1, 2 1 ~ 200kHz, +0dB, -3dB

SN比 (Aネットワーク, ショートサーキット)

PHONO (MC) 68dB以上

PHONO (MM) 83dB以上

TUNER, CD, LINE 110dB以上

TAPE/DAT PLAY-1, 2 110dB以上

チャンネルセパレーション (1,000Hz)

PHONO (MM) 65dB以上

TUNER, CD, LINE 80dB以上

TAPE/DAT PLAY-1, 2 80dB以上

トーンコントロール

BASS最大変化量 +8dB, -8dB (50Hz)

TREBLE最大変化量 +8dB, -8dB (10kHz)

サブソニックフィルター 16Hz (-3dB) 6dB/oct.

### 【その他】

電源電圧 100V

電源周波数 50Hz/60Hz

定格消費電力 (電気用品取締法) 140W

寸法 幅430mm × 高さ135mm × 奥行360mm

重量 11.2kg (本体のみ)

\*改良のため、予告なく意匠、仕様の一部を変更することがあります。

**SANSUI**

SANSUI ELECTRIC CO., LTD.

14-1 Izumi 2-chome, Suginami-ku Tokyo 168 Japan

PHONE: (03)5300-5530/FAX:(03)5300-5531

SANSUI USA INC.:

1290 Wall Street West, Lyndhurst, N.J. 07071 U.S.A.

17150 South Margay Ave. Carson, California 90746 U.S.A.

SANSUI DEUTSCHLAND G.M.B.H.:

Paul Ehrlich Strasse 8, 6074 Rödermark 2, F. R. Germany

山水電気株式会社

東京都杉並区和泉2-14-1 (〒168)

A3530, A3540

(SM2-323)

Printed in Japan (1992.08.P) <Stock No. 36566700>