

SERVICE MANUAL

SOUND CONSOLETTTE

SANSUI AX-3B
AX-3S



SPECIFICATIONS

Output voltage

SOURCE OUT 150 mV
TAPE REC 150 mV

Total harmonic distortion

MIC less than 0.1 %

Input sensitivity and impedance

MIC 1 mV/10 kilohms
SOURCE IN 150 mV/47 kilohms

Frequency response

MIC 70 to 15,000 Hz
SOURCE IN 20 to 20,000 Hz

Hum and noise (short-circuit, A-network)

MIC 56 dB

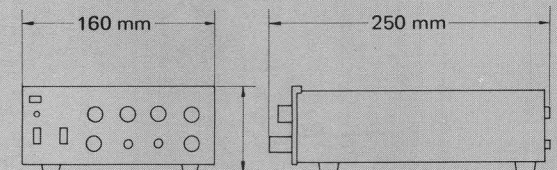
Power supply voltage . . 110 to 120 V/220 to 240 V
(with the power supply voltage selector switch).

Power supply frequency

. 50/60 Hz

Power consumption . . . 2 W

Dimensions 160 mm (6-5/16") W
71 mm (2-13/16") H
250 mm (9-7/8") D



Weight 1.4 kg (3.1 lbs.) net
1.8 kg (4.0 lbs.) packed

*Design and specifications subject to changes without notice for improvements.

*In order to simplify the explanation illustrations may sometimes differ from the originals.

Sansui

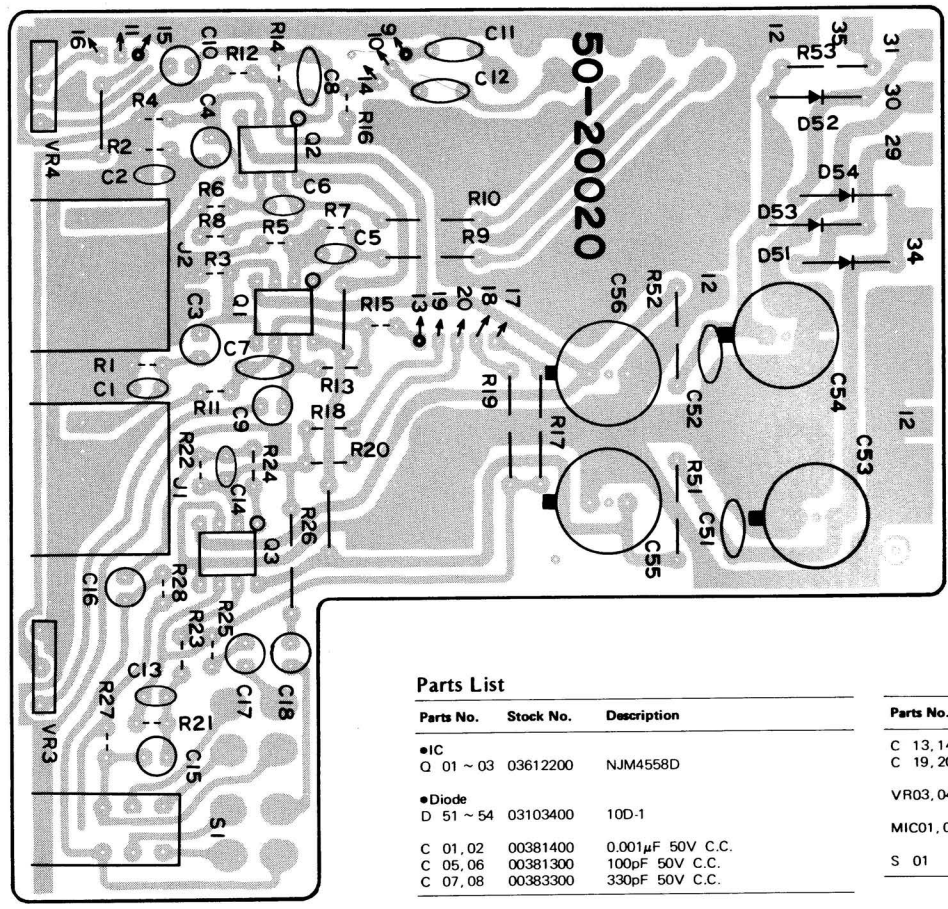
SANSUI ELECTRIC CO., LTD.

1. PARTS LOCATION & PARTS LIST

1-1. 50-20020 Amplifier Circuit Board (Stock No. 0711450)

•Since some of capacitors and resistors are omitted from parts lists in this Service Manual, refer to the Common Parts List for capacitors & resistors which was appended previously to each Sansui Manual.

•As the stock number in the parts list on this service manual is indicated in 8 digit to differ from ordinary 7 digit, please be careful when ordering parts.



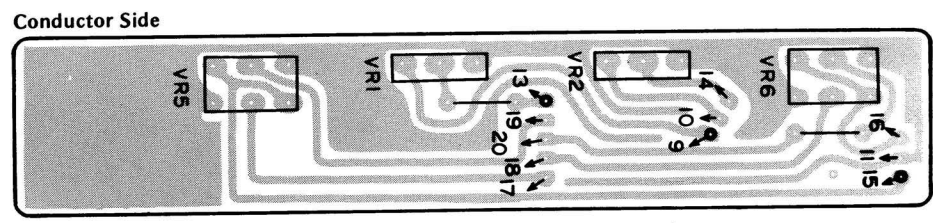
Parts List

Parts No.	Stock No.	Description
•IC		
Q 01 ~ 03	03612200	NJM4558D
•Diode		
D 51 ~ 54	03103400	10D-1
C 01, 02	00381400	0.001μF 50V C.C.
C 05, 06	00381300	100pF 50V C.C.
C 07, 08	00383300	330pF 50V C.C.

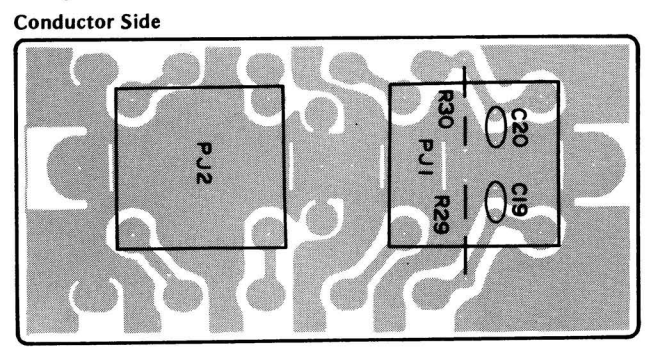
Parts No.	Stock No.	Description
C 13, 14	00384100	5pF 50V C.C.
C 19, 20	00381400	0.001μF 50V C.C.
VR03, 04	10054100	5kΩ B, MIC Level Volume
MIC01, 02	24305800	MIC Jack
S 01	07113800	Tape Switch

•Volume circuit board, output terminal circuit board are not supplied as the assembled, the individual parts on the circuit boards, however are provided for orders.

1-2. Volume Circuit Board



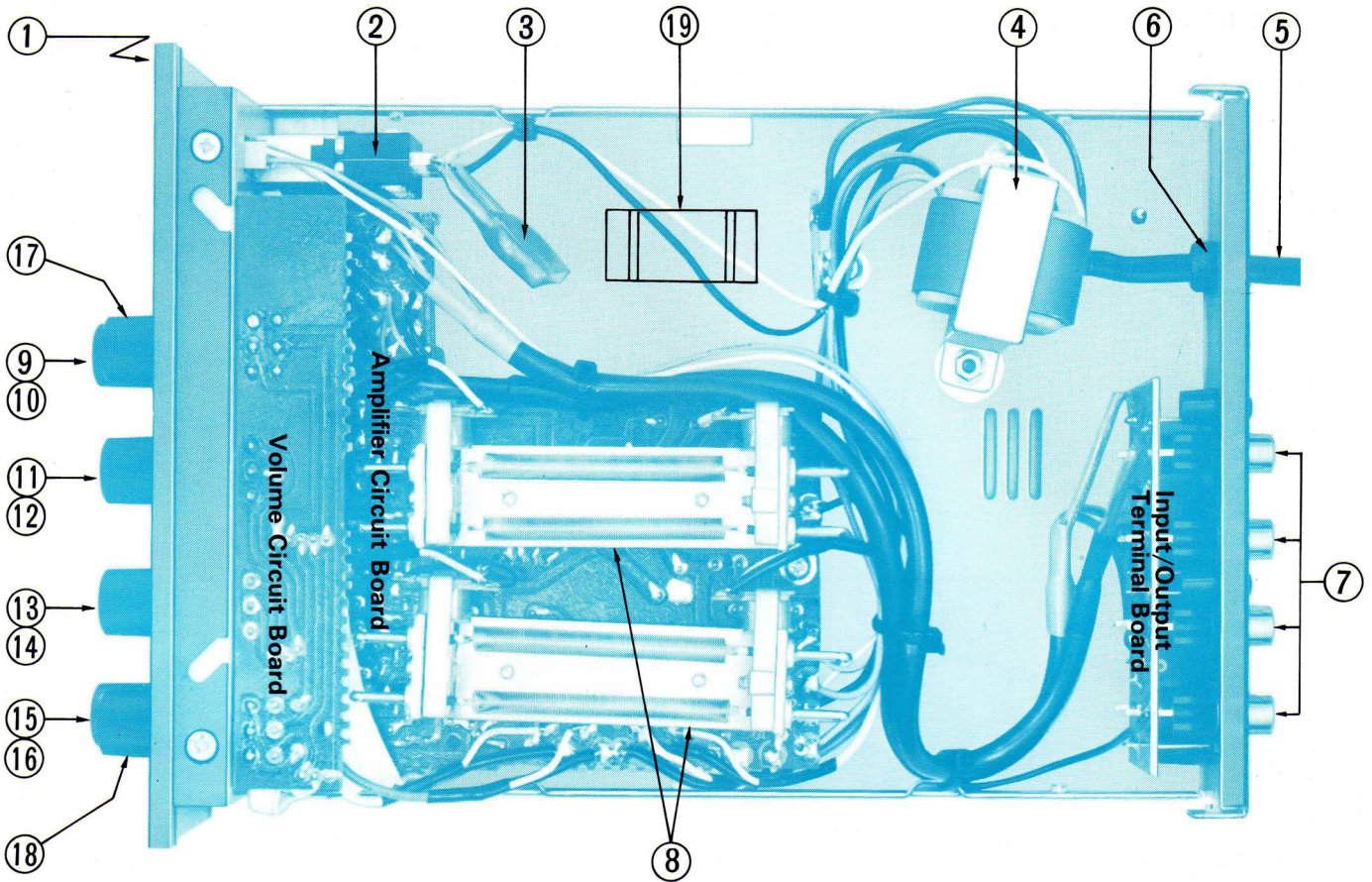
1-3. Output Terminal Circuit Board



•Abbreviations

E.C.	: Electrolytic Capacitor
BP.E.C.	: Bi-Polar Electrolytic Capacitor
C.C.	: Ceramic Capacitor
Mi.C.	: Mica Capacitor
O.C.	: Oil Capacitor
P.C.	: Polystyrene Capacitor
T.C.	: Tantalum Capacitor
C.R.	: Carbon Resistor
S.R.	: Solid Resistor
Ce.R.	: Cement Resistor
M.R.	: Metal Film Resistor
F.R.	: Fusing Resistor
N.I.R.	: Non-Inflammable Resistor
M.C.	: Mylar Capacitor

2. OTHER PART



Parts List

Parts No.	Stock No.	Description	Parts No.	Stock No.	Description	Parts No.	Stock No.	Description
1	07114400	Front Panel Ass'y B	8	07113900	Reverberation Unit	16	07113500	Knob, panpot volume B
	07114300	Front Panel Ass'y S	9(VR5)	07115000	Panpot Volume 20kΩ MN, 1-CH		07114200	Knob, panpot volume S
	53967700	Knob Guide B		07113500	Knob, panpot volume B	17	07113600	Knob, level volume, 1-CH B
	53967800	Knob Guide S	10	07114200	Knob, panpot volume S		07114100	Knob, level volume, 1-CH S
	03191200	LED, power indicator	11(VR1)	10054200	Echo Volume 20kΩ B, 1-CH		07113600	Knob, level volume, 2-CH B
2	07113700	Power Switch		07113500	Knob, echo volume B	18	08114100	Knob, level volume, 2-CH S
3	00386200	0.002μF C.C.	12	07114200	Knob, echo volume S	19(S102)	07113000	Power Voltage Selector Switch
4	40031500	Power Transformer	13(VR2)	10054200	Echo Volume 20kΩ B, 2-CH		53194800	Knob, power & tape switch B
5	38004700	Power Cord		07113500	Knob, echo volume B		53194900	Knob, power & tape switch S
6	39108300	Strain Relief, power cord	14	07114200	Knob, echo volume S		50070100	Bonnet
7	22006900	4F Input Output Terminal	15(VR6)	07115000	Panpot Volume 20kΩ MN, 2-CH		55173400	Leg, bottom plate

3. PACKING LIST

Stock No.	Description
38102800	Pin Plug Cord x 2
00592000	Cord Clump Holder (Screw x 8)
52967800	Retainer, unit x 2
07175800	Operating Instructions

4. ACCESSORY PARTS LIST

Stock No.	Description
07175600	Carton Case Ass'y B
07175700	Carton Case Ass'y S
91168600	Vinyl Cover

●Note: Since there are AX-3B(Black model) & AX-3S(Silver model) in the parts list above, please pay attention when ordering parts.
 Parts marked (B) in parts list for AX-3B only
 Parts marked (S) in parts list for AX-3S only

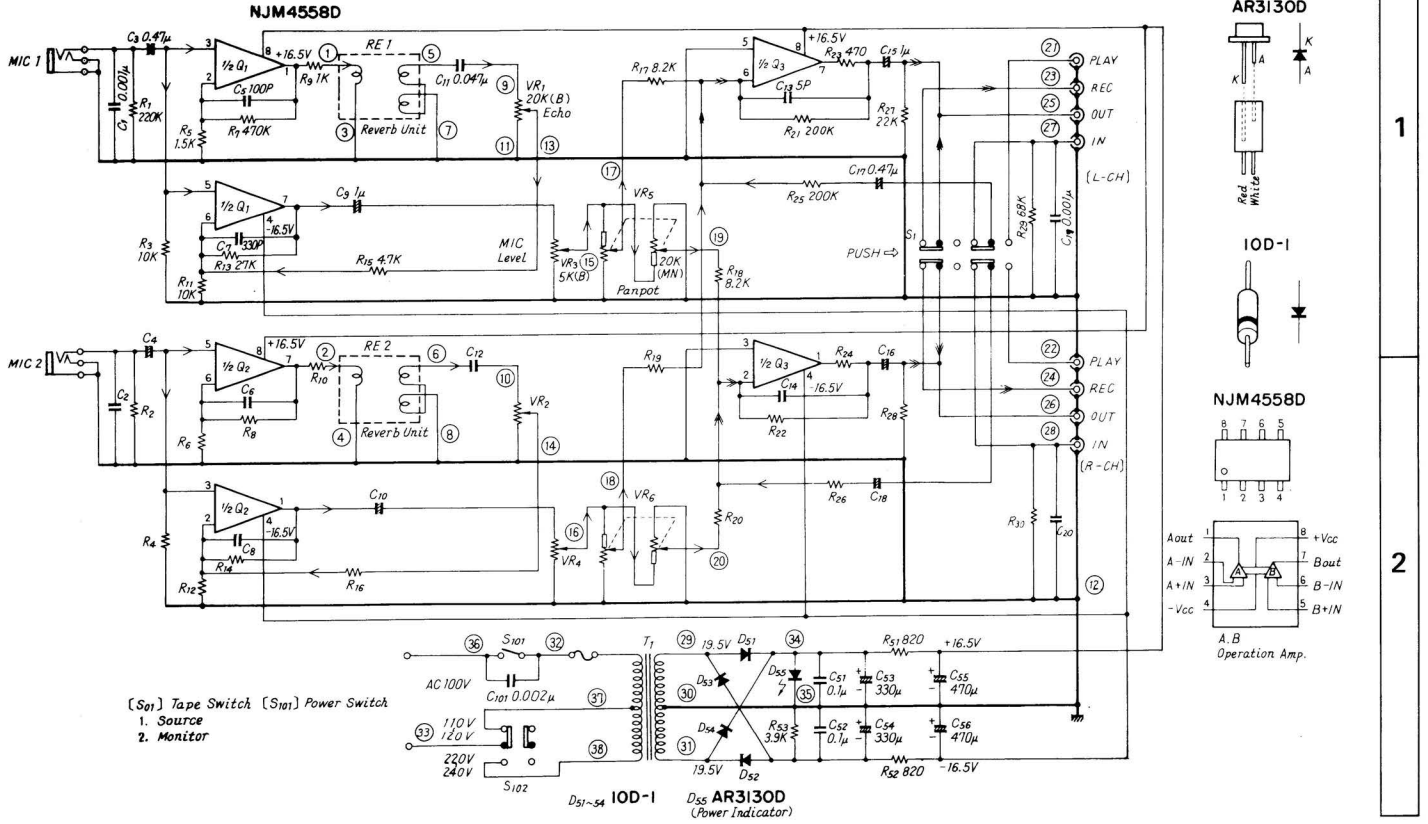
A

B

C

5. SCHEMATIC DIAGRAM

• Design and specifications subject to change without notice for improvement.
 • La présentation et les spécifications sont susceptibles d'être modifiées sans préavis par suites d'améliorations éventuelles.
 • Änderungen, die dem technischen Fortschritt dienen, bleiben vorbehalten.



MEMO

SANSUI ELECTRONICS CORPORATION: 1250 Valley Brook Ave. Lyndhurst, N.J. 07071 U.S.A.
 333 West Alondra Blvd. Gardena, California 90247 U.S.A.
 3036 Koapaka St. Honolulu, Hawaii 96819 U.S.A.
 North Trade Bldg (9th floor) Noorderlaan 133-Bus 1,2030 Antwerp, Belgium
 Arabella center, 6 Frankfurt AM Main, Lyoner Strasse 44-48, West Germany
 SANSUI AUDIO EUROPE N.V.:
 SNASUI AUDIO EUROPE S.A.:
 SANSUI ELECTRIC COMPANY LTD.: 14-1, Izumi 2-chome, Suginamiku, Tokyo 168 Japan PHONE: (03) 323-1111/TELEX: 232-2076

