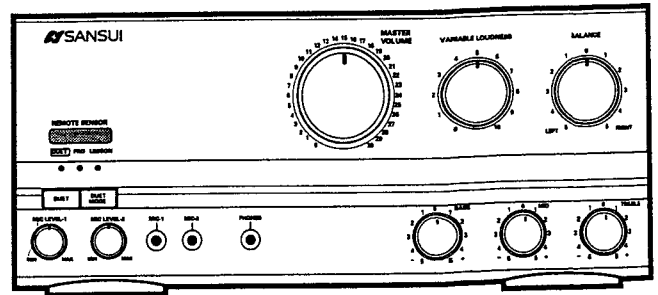




SERVICE MANUAL

A-X750

MINI COMPONENT SYSTEM
<Amplifier>



Organization of System Component

| System Name | Amplifier | Tuner | CD Player | Cassette Deck | Optional Speaker |
|---------------|-----------|--------------|-----------|---------------|------------------|
| MC-X750/X750L | A-X750 | T-X950/X950L | CD-X950 | D-X950 | S-X750 |

CAUTION

- Parts identified by the Δ symbol on the schematic diagram and the parts list are critical for safety. Use only replacement parts that have critical characteristics recommended by the manufacturer.
- Make leakage-current or resistance measurements to determine that exposed parts are acceptably insulated from the supply circuit before returning the appliance to the customer.

NOTICE

- Some printed circuit boards are not supplied assembled. To separate these in this service manual, the stock numbers are not indicated for these boards. However, stock numbers for individual parts are indicated.
- The symbols EU, EG, IPT, SS and XX <EXPORT> on the parts list and the schematic diagram mean followings respectively.
 EU Manufactured for European market.
 EG Manufactured for F.R. Germany market.
 IPT Manufactured for Italy market.
 SS Manufactured for Saudi Arabian market.
 XX Standard Version.
 <EXPORT>
 NON MARK Common Parts.
- Since some capacitors and resistors are omitted from parts lists in this service manual, refer to the Common Parts List for capacitors and resistors, which was issued on June 1987.
- Abbreviations in this Parts List are as follows.

Abbreviations List

| | |
|--|---|
| C.R. : Carbon Resistor | E.B.L. : Low Leak Bi-Polar Electrolytic Capacitor |
| S.R. : Solid Resistor | Ta.C. : Tantalum Capacitor |
| Ce.R. : Cement Resistor | F.C. : Film Capacitor |
| M.R. : Metal Film Resistor | M.P. : Metalized Paper Capacitor |
| F.R. : Fusing Resistor | P.C. : Polystyrene Capacitor |
| N.I.R. : Non-Inflammable Resistor | M.M.C. : Metalized Mylar Capacitor |
| A.R. : Array Resistor | A.C. : Array Capacitor |
| C.C. : Ceramic Capacitor | V.R. : Variable Resistor |
| C.T. : Ceramic Capacitor, Temperature Compensation | S.V.R. : Semi Variable AF Resistor |
| E.C. : Electrolytic Capacitor | SW. : Switch |
| E.L.C. : Low Leak Electrolytic Capacitor | Chip R. : Chip Resistor |
| E.B. : Bi-Polar Electrolytic Capacitor | Chip C. : Chip Capacitor |

Specifications

Power output (Front channel)

Min. RMS, both channels driven, from 20 to 20,000 Hz, with no more than 0.7% total harmonic distortion. 40 watts per channel into 6 ohms.

Load impedance 6-16 ohms

Frequency response (at 1 watt)

BS, LD, VCR 10 to 50,000 Hz, +1 dB, -3 dB
 BASS PREOUT 10 to 200 Hz, +1 dB, -3 dB

Signal to noise ratio (short-circuit, A-network)

BS, LD, VCR 90 dB

TONE CONTROL

BASS ± 8 dB (63Hz)
 MID ± 8 dB (1 kHz)
 TREBLE ± 8 dB (6.3 kHz)

Dimensions 270 mm (10-11/16") W

115 mm (4-9/16") H

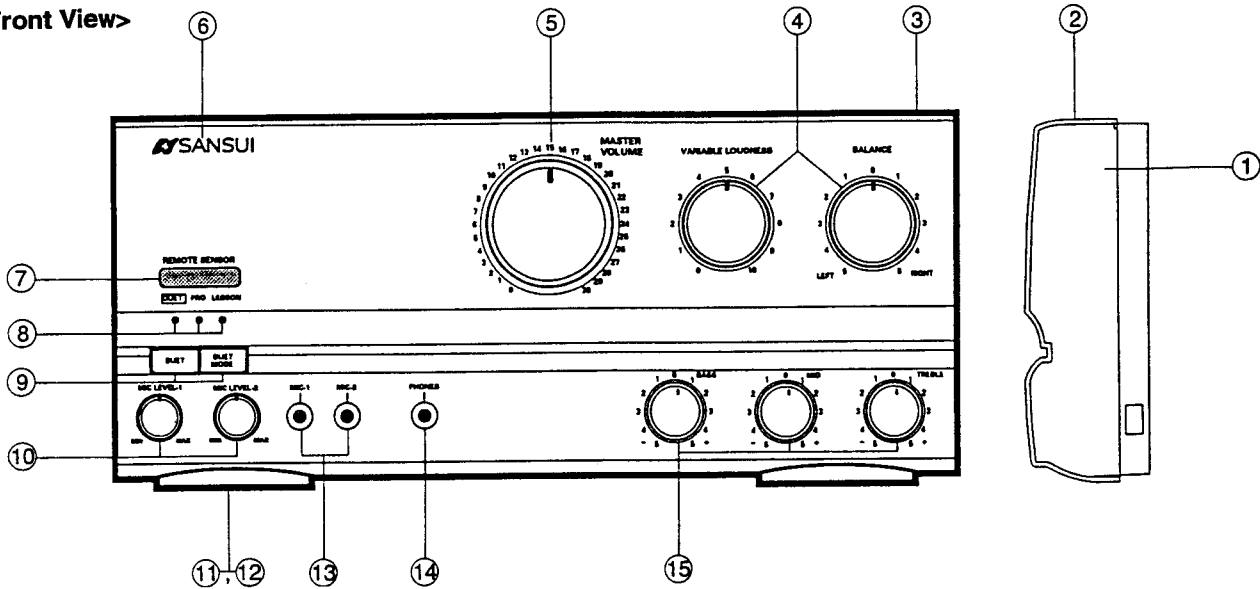
340 mm (13-7/16") D

Weight 5.6 kg (12.4 lbs) net

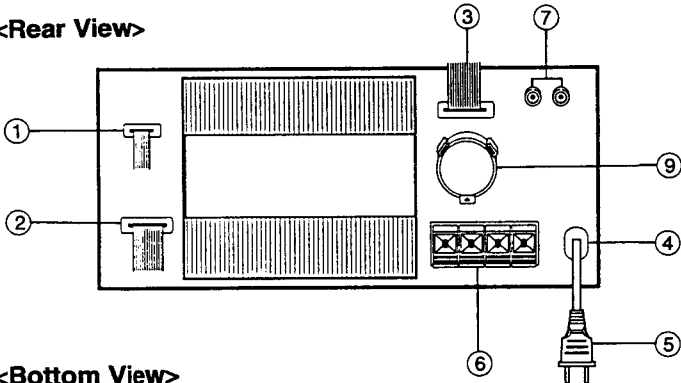
* Design and specifications subject to changes without notice for improvements.

1. OTHER PARTS

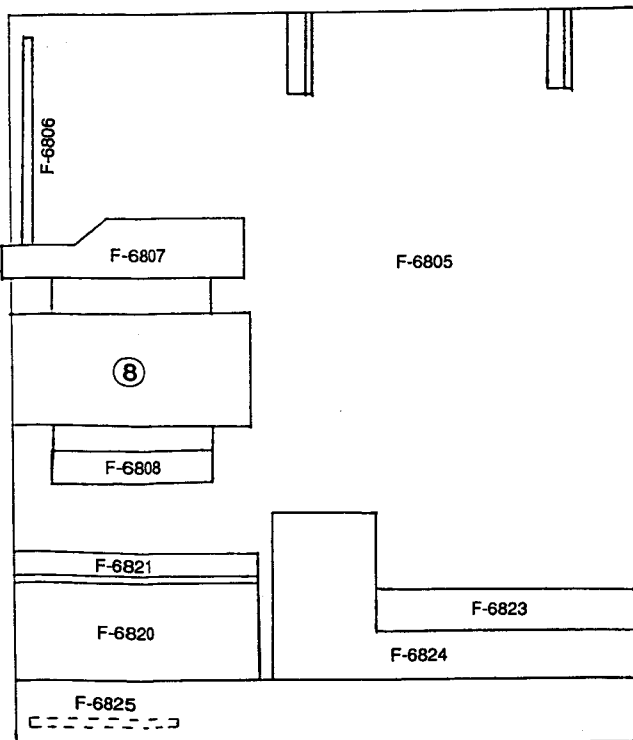
<Front View>



<Rear View>



<Bottom View>



Parts List(Front View)

| Parts No | Stock No | Description |
|----------|----------|------------------------------|
| 1 | 05111100 | Front Panel,(GOLD) |
| 1 | 05111200 | Front Panel,(BLACK) |
| 2 | 05160100 | Front Panel,Aluminume(GOLD) |
| 2 | 05157000 | Front Panel,Aluminume(BLACK) |
| 3 | 05100700 | Bonnet(GOLD) |
| 3 | 05091000 | Bonnet(BLACK) |
| 4 | 05111500 | Knob,LOUDNESS/BALANCE(GOLD) |
| 4 | 05111600 | Knob,LOUDNESS/BALANCE(BLACK) |
| 5 | 05128100 | Master VR,Knob Assy(GOLD) |
| 5 | 05128200 | Master VR,Knob Assy(BLACK) |
| 6 | 05095600 | Logo Badge |
| 7 | 05091500 | RS Filter |
| 8 | 05101600 | DI Indicator |
| 9 | 05157200 | 2P Knob,DUET(GOLD) |
| 9 | 05153600 | 2P Knob,DUET(BLACK) |
| 10 | 05098300 | Knob,MIC Level 1/2(GOLD) |
| 10 | 05097810 | Knob,MIC Level 1/2(BLACK) |
| 11 | 05149900 | Leg |
| 12 | 27902510 | Leg Sheet |
| 13 | 49600500 | MIC 1,2 Jack |
| 14 | 49600600 | PHONES Jack |
| 15 | 05111700 | Knob,BASS/TREBLE/MID(GOLD) |
| 15 | 05111800 | Knob,BASS/TREBLE/MID(BLACK) |

Parts List(Rear View & Bottom View)

| Parts No. | Stock No. | Description |
|-----------|-----------|------------------------------|
| 1 | 49738410 | 15P FG Plug Cable(1) |
| 2 | 49738500 | 13P FG Plug Cable(2) |
| 3 | 49738600 | 7P FG Plug Cable(3) |
| 4 | 49374300 | Strain Relief |
| Δ 5 | 48837700 | Power Supply Cord<SS,XX> |
| Δ 5 | 49299300 | Power Supply Cord<EU,IPT,EG> |
| 6 | 46549200 | 4P Speaker Terminal |
| 7 | 49622900 | 2P Surround Output Terminal |
| Δ 8 | 15041609 | Power Transformer<SS,XX> |
| Δ 8 | 15041605 | Power Transformer<EU,IPT,EG> |
| Δ 9 | 48175200 | Voltage Serector Plug<SS,XX> |

3. INTERIOR BLOCK DIAGRAM & TERMINAL FUNCTION OF IC

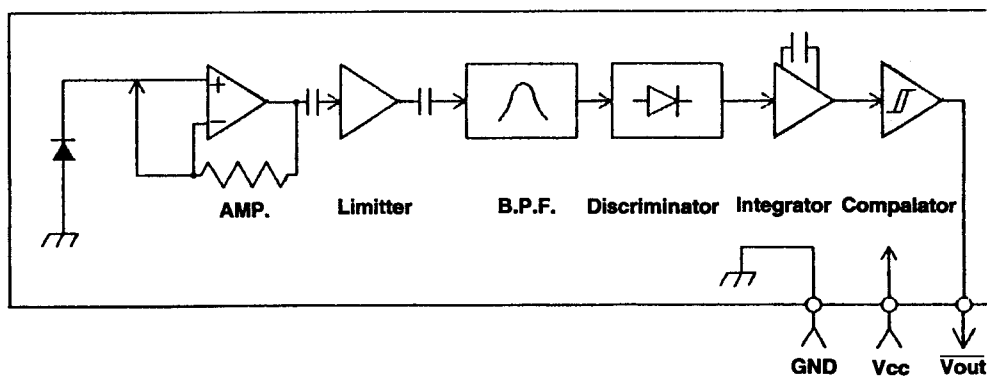
•M38173M6-FP <System Control>

Terminal Function

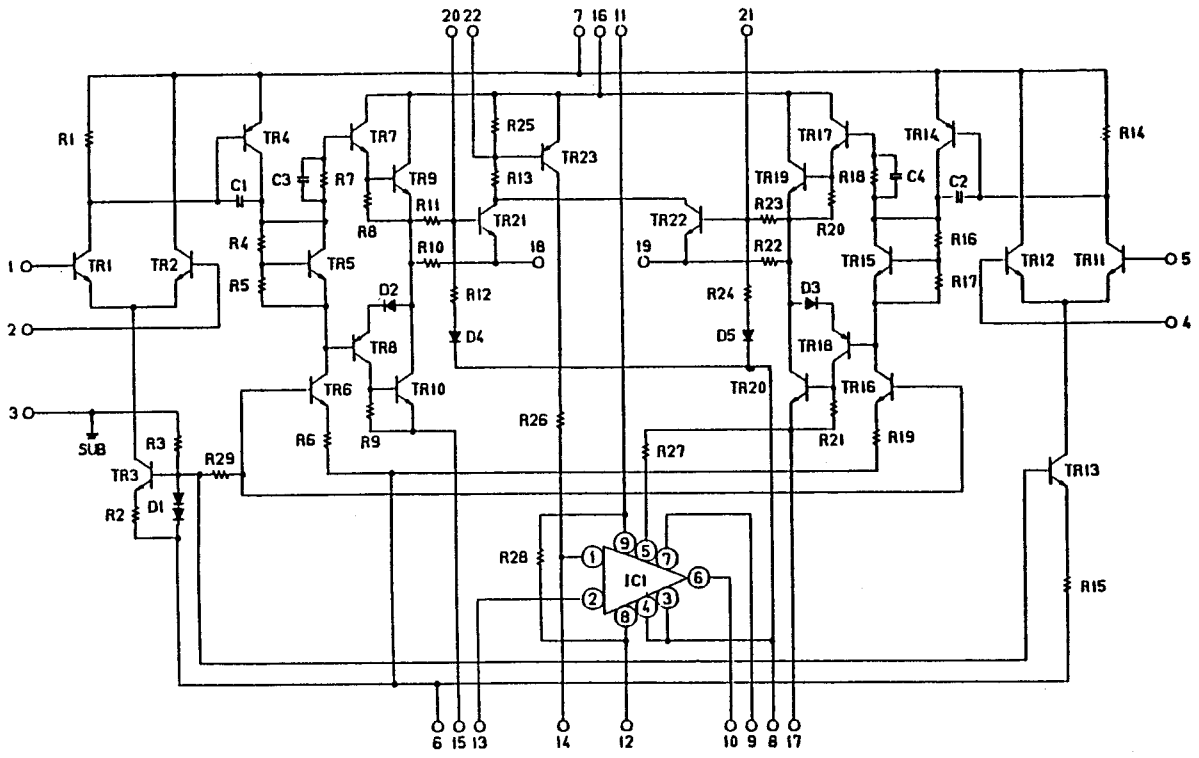
| PIN No. | I/O | Function | Active |
|---------|-----|--|-----------------------------|
| 1 | I | A/D SW-1 | |
| 2 | I | A/D SW-2 | |
| 3 | I | A/D SW-3 | |
| 4 | I | A/D SW-4 | |
| 6 | O | Serial Clock Output | |
| 7 | O | Serial Data Output | |
| 10 | O | Serial Clock Output for on Screen | |
| 11 | O | Serial Data Output for on Screen | |
| 13 | I | NTSC/PAL | |
| 14 | I | Parity Input for on Screen | |
| 15 | I | Short Detector | L |
| 16 | I | Tuner Mute | |
| 17 | O | Voice Cancel Output 1 | See Block Diagram on Page 1 |
| 18 | O | Voice Cancel Output 2 | |
| 19 | O | Voice Cancel Output 3 | |
| 20 | O | Voice Cancel Output 4 | |
| 21 | I | JOG Direction Detector Input | |
| 23 | I | JOG Intercept Input | |
| 24 | I | Received Signal from Remote Controller | |
| 25 | I | Hold Input | L |
| 26 | I | Sansui Serial Bus Input | |
| 27 | | RESET | |
| 30 | | OSC Terminal 4.19 MHz | |
| 31 | | OSC Terminal 4.19 MHz | |
| 32 | | 0 V (GND) | |
| 33 | O | RESET Output | L |
| 34 | O | FL Micro Computer Chip Select | L |
| 35 | O | M6604 Chip Select | L |
| 36 | O | M50554 CS | L |

| PIN No. | I/O | Function | Active |
|---------|-----|---------------------------------|--------|
| 37 | O | YSS215 Working Clock | L |
| 38 | O | LV3100 Chip Enable | |
| 39 | O | LC7536#0 Chip Enable | |
| 40 | O | LC7536#1 Chip Enable | |
| 41 | O | TC9162 Serial Clock | |
| 42 | O | TC9162 Serial Data | |
| 43 | O | TC9162#0 Strobe | |
| 44 | O | | |
| 45 | O | FAN A | |
| 46 | O | FAN B | |
| 47 | O | | |
| 49 | O | Power Out | L |
| 50 | O | Signal Mute | L |
| 51 | O | Sansui Serial Bus | |
| 53 | O | Flat Output | H |
| 54 | O | Center Mute | L |
| 55 | O | Rear Mute | L |
| 61 | O | LB1641 Motor Driver (UP Mode) | H |
| 62 | O | LB1641 Motor Driver (DOWN Mode) | H |
| 69 | O | Mute LED | H |
| 70 | O | Stand by LED | H |
| 71 | O | Efect REC LED | H |
| 73 | | 5 V | |
| 74 | | 0 V | |
| 75 | | 0 V (GND) | |
| 76 | | 5 V | |
| 78 | I | Defector of Volume Position | |
| 79 | I | Check Input of Back up Voltage | |
| 80 | I | Thermal Detection | |

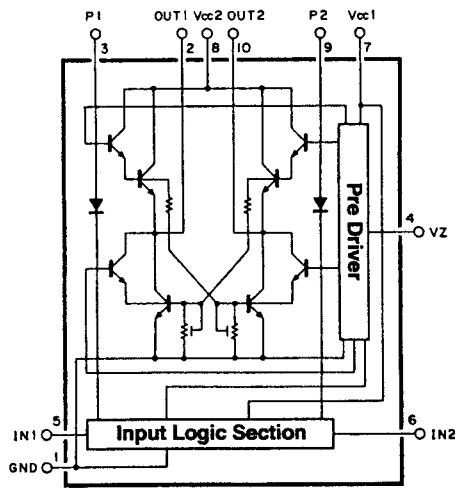
•GP1U561 <Remote Controller Receiver>



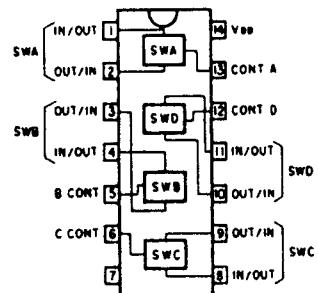
•STK4164-2 <Power Amp.>



•LB1641 <Driving Motor>



•LC4966 <Analog Switch>



4. PARTS LIST OF CIRCUIT BOARD

4-1. F-6805 MAIN BOARD (STOCK NO. 01324904-XX, SS, EU, IPT/01325008-EG)

| PARTS NO. | STOCK NO. | DESCRIPTION |
|---------------|-----------|-------------------------|
| * TRANSISTOR | | |
| KQ1 | 46719900 | DTC124ES |
| KQ2 | 46719800 | DTA124ES |
| KQ3 | 46604301 | 2SC3327 |
| KQ4 | 46367201 | 2SA1048 |
| KQ5 | 46367201 | 2SA1048 |
| KQ6 | 46719900 | DTC124ES |
| KQ7 | 46719900 | DTC124ES |
| KQ8 | 46719800 | DTA124ES |
| KQ9 | 46719900 | DTC124ES |
| * IC | | |
| KIC1 | 48056800 | LC4966 |
| KIC2 | 49263900 | NJM20680 |
| KIC3 | 03007700 | NJM45580 |
| △ KIC4 | 49722700 | STK4164-2 |
| * DIODE | | |
| KD1 | 46464100 | 1SS133 |
| KD3 | 46464100 | 1SS133 |
| △ KR16 | 49752500 | 100 OHM 1/5W N.I.R. |
| △ KR18 | 49752500 | 100 OHM 1/5W N.I.R. |
| KR101 | 49757100 | 100 OHM 1/2W N.I.R.-EG> |
| KC4 | 48663200 | 330PF 50V C.C. |
| KC5 | 48660200 | 47PF 50V C.C. |
| KC9 | 48663200 | 330PF 50V C.C. |
| KC10 | 48660200 | 47PF 50V C.C. |
| KC102 | 48662600 | 100PF 50V C.C.-EG> |
| * TRANSISTOR | | |
| LQ1 | 46367201 | 2SA1048 |
| LQ2 | 46719900 | DTC124ES |
| * DIODE | | |
| LD1 | 46464100 | 1SS133 |
| LD2 | 46464100 | 1SS133 |
| LD3 | 46464100 | 1SS133 |
| △ LRL1 | 49587400 | RELAY 2M DC2402-05 |
| OR | 49730300 | RELAY |
| * TRANSISTOR | | |
| △ HQ1 | 46614001 | 2SA1283 |
| * IC | | |
| △ HIC1 | 49440800 | NJM78M12FA |
| △ HIC2 | 49435600 | NJM79M12FA |
| △ HIC3 | 49440800 | NJM78M12FA |
| △ HIC4 | 49440500 | NJM78M06FA |
| * DIODE | | |
| HD1 | 49634100 | DBF60E |
| HD3 | 46273600 | DBB10B |
| * ZENER DIODE | | |
| △ HDZ1 | 49516400 | MTZJ27B |
| △ HDZ2 | 49676600 | MTZJ5.6C |
| △ HR1 | 46623500 | 22 OHM 2W N.I.R. |
| △ HRS | 49751300 | 10 OHM 1/5W N.I.R. |

<F-6805>

| PARTS NO. | STOCK NO. | DESCRIPTION |
|--------------|-----------|----------------------------|
| MR6,7 | 46248600 | 27 OHM 1W N.I.R. |
| MC1 | 08680400 | 0.01 UF 500V C.C. |
| MC3 | 08680400 | 0.01 UF 500V C.C. |
| MC4 | 49114600 | 6800UF 50V EL.C. |
| MC5 | 49114600 | 6800UF 50V EL.C. |
| MC9 | 49723400 | 2200UF 25V EL.C. |
| MC10 | 49632400 | 1000UF 25V EL.C. |
| OZ1 | 46549200 | SPEAKER TERMINAL 4P |
| * TRANSISTOR | | |
| WQ2 | 46367301 | 2SC2458 |
| WQ3 | 46367301 | 2SC2458 |
| * IC | | |
| WIC1 | 49723900 | M38173M6-131FP |
| VX01 | 49777100 | QUARTZ ELEMENT KBR-4.19MHZ |
| * DIODE | | |
| VD3 | 46464100 | 1SS133 |
| VD4 | 46464100 | 1SS133 |
| VD5 | 46464100 | 1SS133 |
| VD6 | 46464100 | 1SS133 |
| VD7 | 46464100 | 1SS133 |
| VD8 | 46464100 | 1SS133 |
| WC1 | 48666200 | 0.01UF 16V C.C. |
| WC2 | 48666200 | 0.01UF 16V C.C. |
| WC3 | 48785900 | 3.3UF 5.5V EL.C. |
| WC10 | 48662600 | 100PF 50V C.C. |

4-2. F-6806 AC FUSE BOARD

| PARTS NO. | STOCK NO. | DESCRIPTION |
|-----------|-----------|------------------------|
| △ KR51 | 49772400 | 5.6 OHM 10W CE.R. |
| △ KR52 | 49772400 | 5.6 OHM 10W CE.R. |
| KR131 | 49757100 | 10 OHM 1/2W N.I.R.-EG> |
| KC132 | 48662600 | 100PF 50V C.C.-EG> |
| OZ2 | 49622900 | TERMINAL BOARD 2P |
| △ PF1 | 49593600 | FUSE 2A<SS,XX> |
| △ PF1 | 49297200 | FUSE 2A<EU,IPT,EG> |
| △ PF2 | 49593600 | FUSE 2A<SS,XX> |

4-3. F-6820 MIC AMP. BOARD (STOCK NO. 01325304)

| PARTS NO. | STOCK NO. | DESCRIPTION |
|--------------|-----------|-------------|
| * TRANSISTOR | | |
| Q1 | 46367101 | 2SC2603 |
| OR | 48058801 | 2SC1740S |
| Q6 | 46719800 | DTA124ES |
| OR | 49390400 | RN2203 |
| * IC | | |
| GIC1 | 49439500 | NJM4558L |
| OR | 49541200 | MS218AL |
| GIC2 | 49439500 | NJM4558L |
| OR | 49541200 | MS218AL |
| * DIODE | | |
| GD1 | 46464100 | 1SS133 |

--To be continued--

<F-6820>

| PARTS NO. | STOCK NO. | DESCRIPTION |
|-----------|-----------|------------------------|
| GC1 | 48662800 | 150PF 50VC.C. |
| GC33 | 49417000 | 0.1UF 50V C.C. |
| GC34 | 49417000 | 0.1UF 50V C.C. |
| GVR1 | 49731300 | 20K OHM V.R.,MIC LEVEL |
| KR22 | 46248100 | 10 OHM 1W N.I.R. |
| △ KR23 | 46624700 | 220 OHM 2W N.I.R. |
| OJ1 | 49600500 | MIC JACK 1 |
| OJ2 | 49600500 | MIC JACK 2 |
| OJ3 | 49600600 | PHONE JACK |

4-4. F-6821 KARAOKE FUNCTION BOARD (STOCK NO.01325404)

| PARTS NO. | STOCK NO. | DESCRIPTION |
|--------------|-------------|-------------|
| * TRANSISTOR | | |
| Q2 | 46367001 | 2SA1115 |
| | OR 48058601 | 2SA933S |
| Q3 | 48217800 | DTC114ES |
| | OR 49388100 | RN1202 |
| Q4 | 48217800 | DTC114ES |
| | OR 49388100 | RN1202 |
| Q5 | 48217800 | DTC114ES |
| | OR 49388100 | RN1202 |
| * FET | | |
| GFT1 | 46643500 | 2SK163-K1 |
| | OR 46643501 | 2SK163-K2 |
| | OR 46643502 | 2SK163-L1 |
| | OR 46643503 | 2SK163-L2 |
| | OR 46643504 | 2SK163-M1 |
| | OR 46643505 | 2SK163-M2 |
| | OR 46643506 | 2SK163-N1 |
| | OR 46643507 | 2SK163-N2 |
| | OR 46643700 | 2SK246-Y |
| | OR 46643701 | 2SK246-CR |
| | OR 46643702 | 2SK246-BL |
| GFT2 | 46643500 | 2SK163-K1 |
| | OR 46643501 | 2SK163-K2 |
| | OR 46643502 | 2SK163-L1 |
| | OR 46643503 | 2SK163-L2 |
| | OR 46643504 | 2SK163-M1 |
| | OR 46643505 | 2SK163-M2 |
| | OR 46643506 | 2SK163-N1 |
| | OR 46643507 | 2SK163-N2 |
| | OR 46643700 | 2SK246-Y |
| | OR 46643701 | 2SK246-CR |
| | OR 46643702 | 2SK246-BL |
| * IC | | |
| GIC3 | 49439500 | NJM4558L |
| | OR 49541200 | MS218AL |
| GIC4 | 49439500 | NJM4558L |
| | OR 49541200 | MS218AL |
| GIC5 | 49439500 | NJM4558L |
| | OR 49541200 | MS218AL |
| GIC6 | 49439500 | NJM4558L |
| | OR 49541200 | MS218AL |
| GIC7 | 49439500 | NJM4558L |
| | OR 49541200 | MS218AL |
| GIC8 | 49439500 | NJM4558L |
| | OR 49541200 | MS218AL |

<F-6821>

| PARTS NO. | STOCK NO. | DESCRIPTION |
|---------------|-------------|-----------------|
| * DIODE | | |
| GD2 | 46464100 | 1SS133 |
| GD3 | 46464100 | 1SS133 |
| GD4 | 46464100 | 1SS133 |
| GD5 | 46464100 | 1SS133 |
| * ZENER DIODE | | |
| GDZ1 | 49676500 | MTZJ5.6B |
| GDZ2 | 49675800 | MTZJ4.7A |
| | OR 49675900 | MTZJ4.7B |
| | OR 49676000 | MTZJ4.7C |
| GC27 | 48508400 | 10uF 16V Ta.c. |
| GC32 | 48103200 | 0.47UF 50V E.B. |

4-5. F-6823 TONE CONTROL BOARD (STOCK NO.01325604)

| PARTS NO. | STOCK NO. | DESCRIPTION |
|-----------|-------------|-----------------------|
| * IC | | |
| J1C301 | 49439500 | NJM4558L |
| | OR 49541200 | MS218AL |
| JC324 | 48658600 | 10PF 50V C.C. |
| JVR303 | 49742800 | 100KB OHM V.R.,TREBLE |
| JVR304 | 49742800 | 100KB OHM V.R.,MID |
| JVR305 | 49742800 | 100KB OHM V.R.,BASS |

4-6. F-6824 MASTER VOLUME BOARD (STOCK NO.01325704)

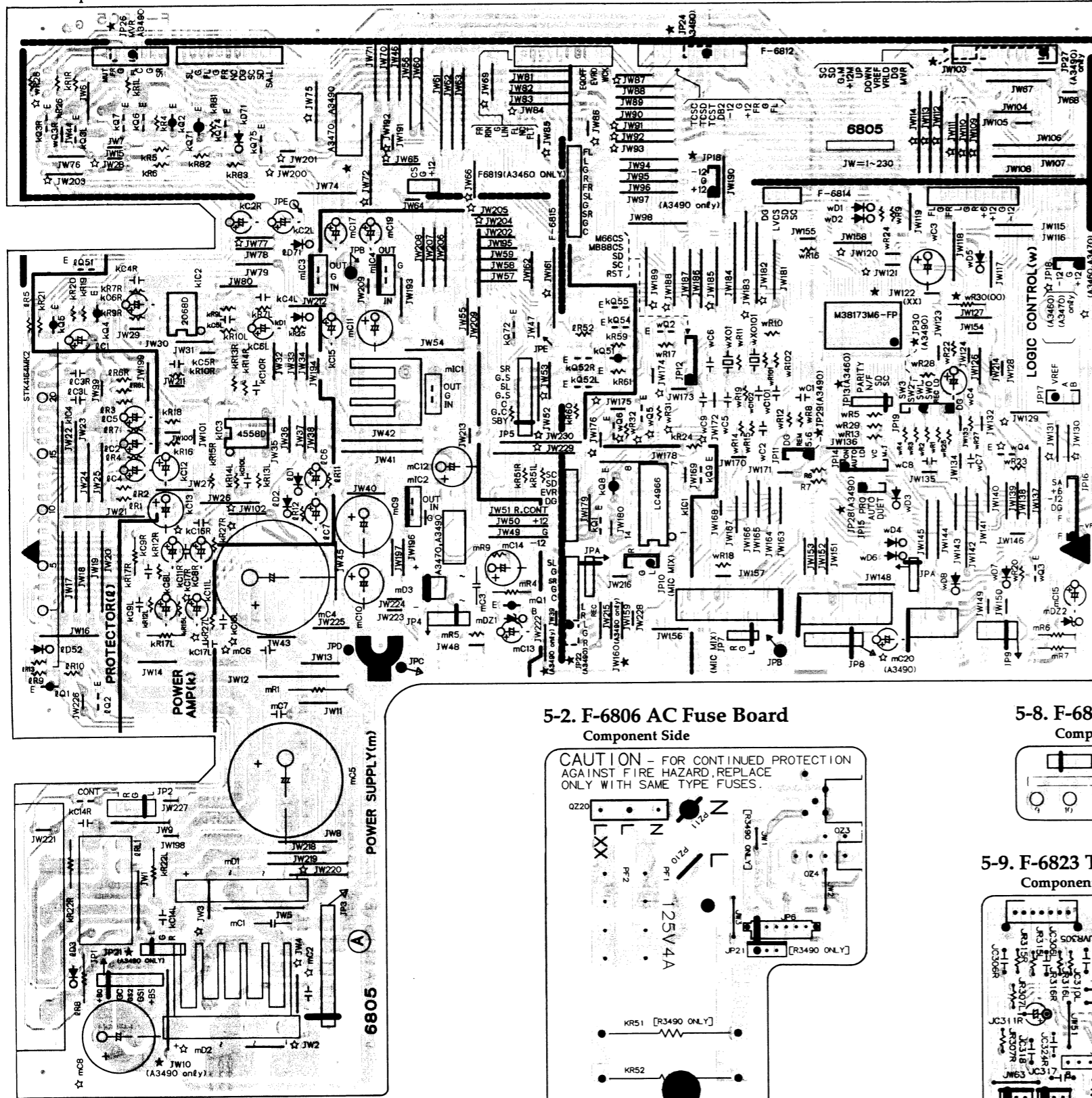
| PARTS NO. | STOCK NO. | DESCRIPTION |
|---------------|-------------|-------------------------|
| * IC | | |
| J1C300 | 49439500 | NJM4558L |
| | OR 49541200 | MS218AL |
| J1C302 | 48382600 | LB1641 |
| * ZENER DIODE | | |
| JDZ300 | 49675800 | MTZJ4.7A |
| JVR300 | 49742700 | 150KB OHM V.R.,LOUDNESS |
| JVR301 | 49740500 | 100KB OHM V.R.,MASTER |
| JVR302 | 49742900 | 250KW OHM V.R.,BALANCE |

4-7. F-6825 KARAOKE SWITCHING BOARD (STOCK NO.01325804)

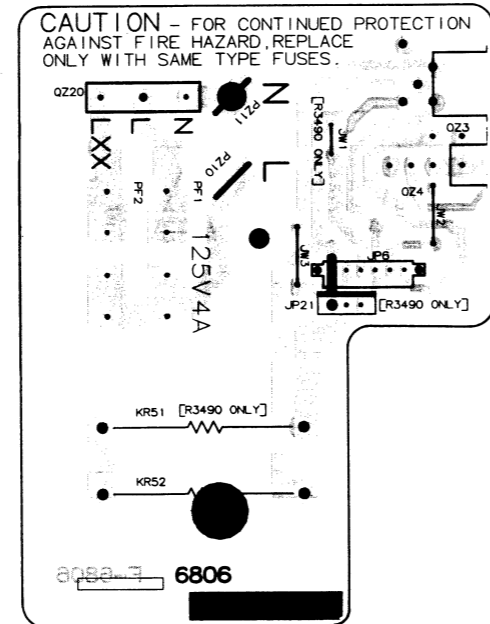
| PARTS NO. | STOCK NO. | DESCRIPTION |
|--------------|-------------|----------------------|
| * IC | | |
| MC300 | 49736300 | GPU561 |
| * TRANSISTOR | | |
| MQ300 | 48217800 | DTC114ES |
| | OR 49388100 | RN1202 |
| MQ301 | 48217800 | DTC114ES |
| | OR 49388100 | RN1202 |
| MQ302 | 48217800 | DTC114ES |
| | OR 49388100 | RN1202 |
| * LED | | |
| MLD300 | 48841100 | SEL3210,DUET ON |
| MLD301 | 48841200 | SEL3910A,PRO |
| MLD302 | 48841200 | SEL3910A,PRO |
| OS300 | 49326300 | TACT SV.,DUET ON/OFF |
| OS301 | 49326300 | TACT SV.,DUET MODE |

5. PARTS LOCATION ON CIRCUIT BOARD

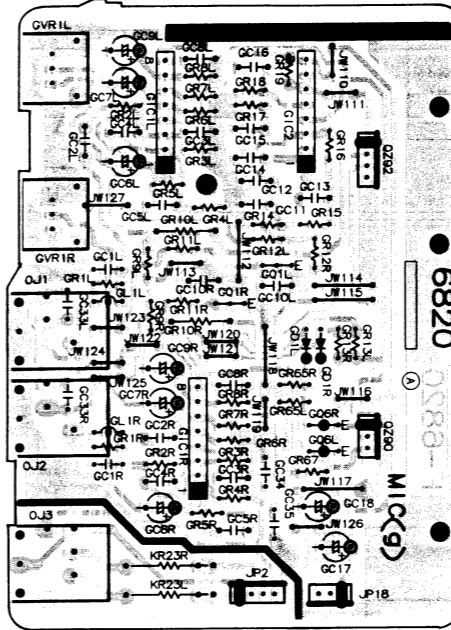
5-1. F-6805 Main Board
Component Side



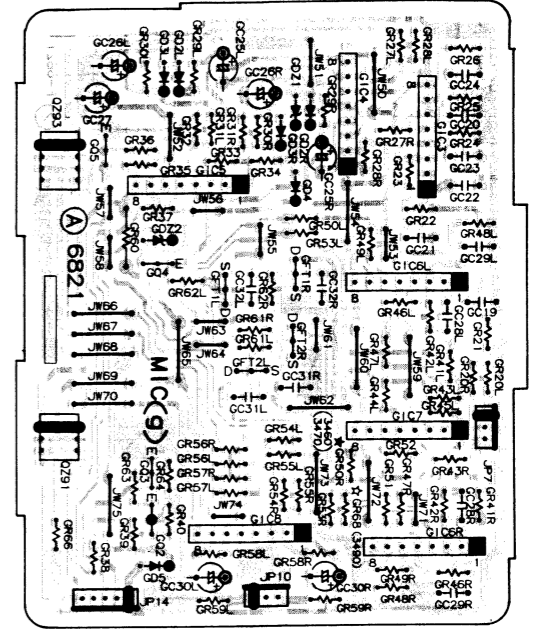
5-2. F-6806 AC Fuse Board
Component Side



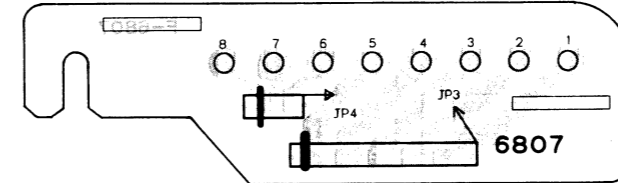
5-3. F-6820 MIC Amp. Board
Component Side



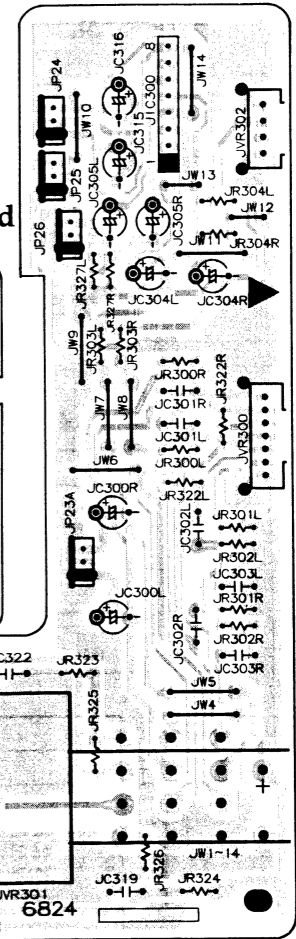
5-4. F-6821 KARAOKE Function Board
Component Side



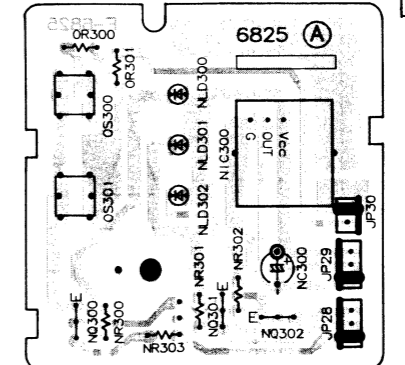
5-5. F-6807 Relay Board A
Component Side



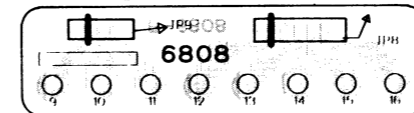
5-6. F-6824 Master VR. Board
Component Side



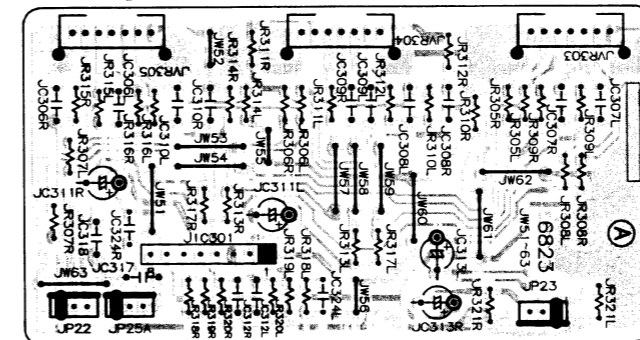
5-7. F-6825 KARAOKE Changing Switch Board
Component Side



5-8. F-6808 Relay Board B
Component Side

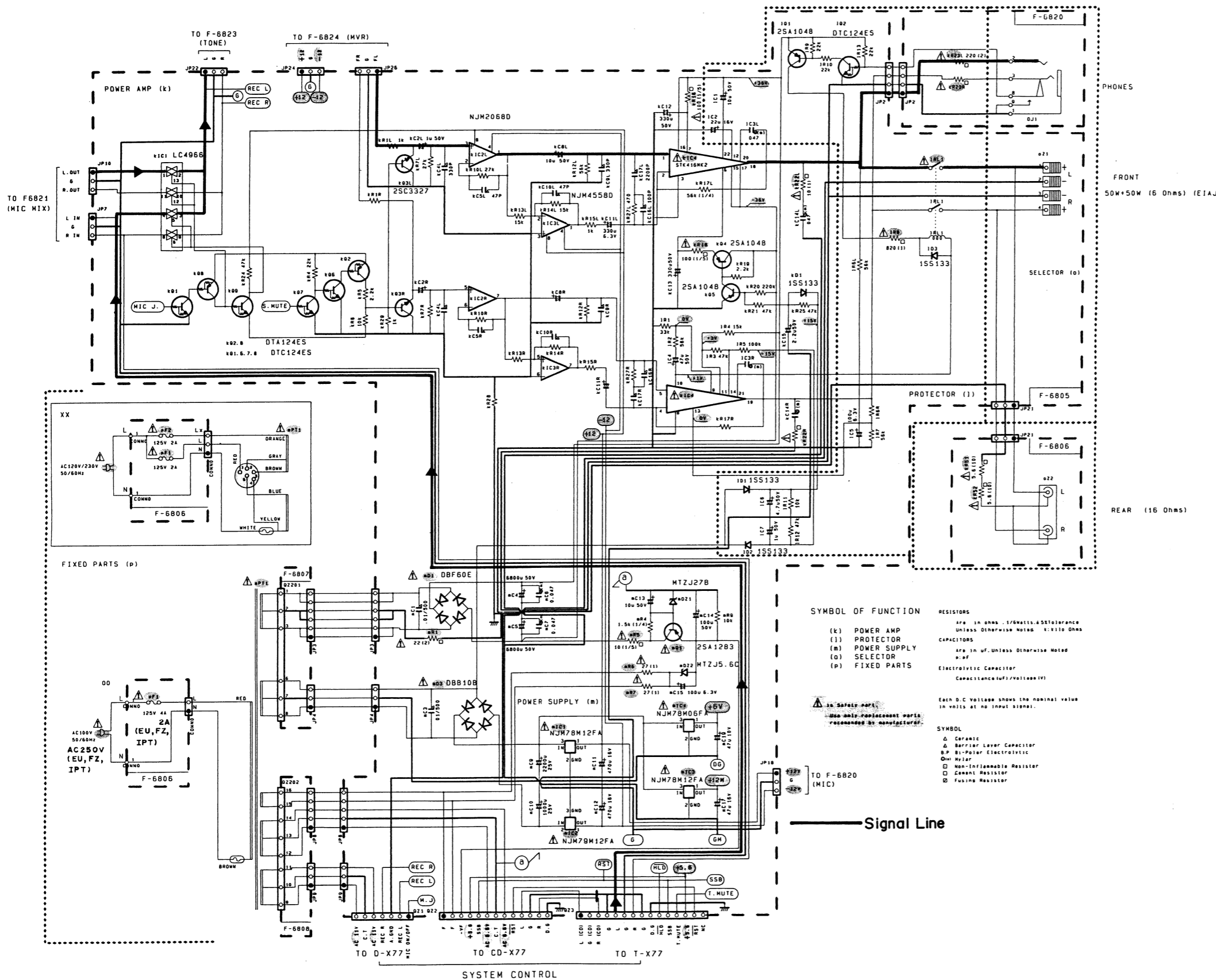


5-9. F-6823 Tone Control Board
Component Side



6-2. Power Amp. & Power Supply Section

• Design and specifications subject to change without notice for improvement.
 • La présentation et les spécifications sont susceptibles d'être modifiées sans préavis par suites d'améliorations éventuelles.
 • Änderungen, die dem technischen Fortschritt dienen, bleiben vorbehalten.



SYMBOL OF FUNCTION

(K) POWER AMP
 (I) PROTECTOR
 (M) POWER SUPPLY
 (O) SELECTOR
 (P) FIXED PARTS

RESISTORS
 R in ohms, 1/8Watt, ±5% tolerance
 Unless otherwise noted: R: kilo Ohms

CAPACITORS
 C in μF, unless otherwise noted
 μ: μF

Electrolytic Capacitor
 Capacitance (μF) / Voltage (V)

Each D.C. Voltage shows the nominal value in volts at no input signal.

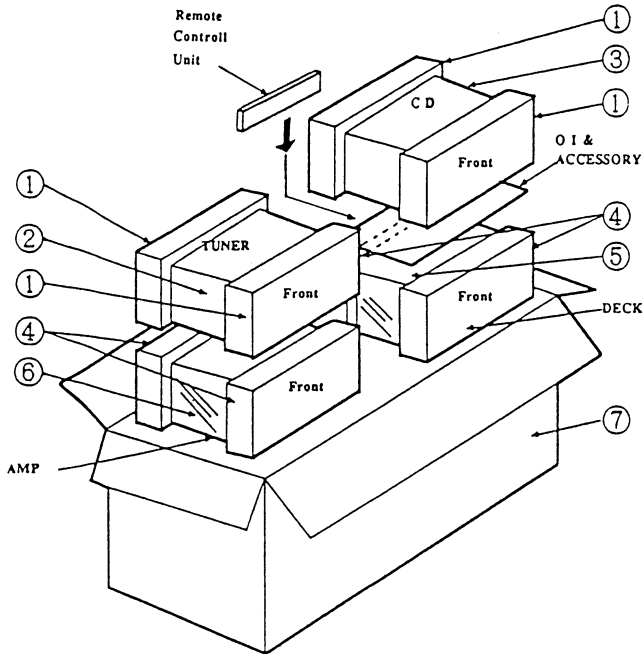
SYMBOL
 Δ Ceramic
 Δ Bar-Plate Layer Capacitor
 B.P. Bi-Polar Electrolytic
 Ω Mini Resistor
 □ Non-Flammable Resistor
 □ Ceramic Resistor
 ⊕ Fusing Resistor

⚠ SAFETY NOTE
 Use only replacement parts recommended by manufacturer.

- | | |
|--|------------------------------|
| NJM78M06FA 1: INPUT(V+) 2: OUTPUT 3: GND | 1SS133 |
| LC4966 NJM2068D NJM4558D | DBB10B |
| NJM78M12FA 1: INPUT 2: GND 1 2 3: OUTPUT | DBF60E |
| NJM79M12FA 1: GND 2: INPUT 1 2 3: OUTPUT | MTZJ4.7 MTZ5.6 MTZJ27B |
| M38173M6 | 2SK246 |
| 2SA1283 | 2SK163 |
| 2SA1048 2SA1115 2SA833S 2SC1740S 2SC2603 | STK4164-2 |
| DTA124ES DTC114ES DTC124ES RN1202 RN2203 2SC2458 2SC3327 | M5218AL NJM4558L |
| | LB1641 |

1
2
3
4
5
8

7. PACKING LIST & ACCESSORY LIST



Accessory List

| Parts No | Stock No | Description |
|----------|----------|---|
| | 49746400 | Remote Controller,RS-G7 (MC-X750/L) |
| | 49631200 | AM Loop Antenna |
| | 07563000 | Antenna Holder<SS,EU,IPT> |
| | 46051700 | FM Antenna |
| | ----- | Dry Battery,SUM-3 |
| | 19078900 | Operating Instructions (MC-X750) |
| | 19082100 | Operating Instructions (MC-X750L) |
| | 49335000 | Antenna Matching Transformer (MC-X750L) |

Packing List

| Parts No | Stock No | Description |
|----------|----------|------------------------------------|
| 1 | 05098410 | Styrofoam Packing,pair (Tuner/ CD) |
| 2 | 27867300 | Vinyl Bag(Tuner) |
| 3 | 27867400 | Vinyl Bag(CD) |
| 4 | 05095900 | Styrofoam Packing,pair (Deck/AMP) |
| 5 | 27594000 | Vinyl Bag(Deck) |
| 6 | 27343800 | Vinyl Bag(AMP) |
| 7 | 05153800 | Carton Case(MC-X750 Black) |
| | 05158100 | Carton Case(MC-X750 Gold) |
| | 05159300 | Carton Case(MC-X750L Black) |
| | 05159400 | Carton Case(MC-X750L Gold) |

SANSUI

SANSUI ELECTRIC CO., LTD.:

SANSUI USA INC.:

SANSUI DEUTSCHLAND GMBH:

山水電気株式会社

New River Building, 10-14, Shinkawa 1-chome, Chuo-ku Tokyo 104, Japan
 PHONE: (03)5566-1024 FAX: (03)5566-1027 (International Division)
 1290 Wall Street West, Lyndhurst, New Jersey 07071 U.S.A.
 17150 South Margay Ave. Carson, California 90746 U.S.A.
 Paul-Ehrlich-Strasse 8, 6074 Rödermark 2, F. R. Germany

東京都中央区新川1-10-14 (〒104)

(SM2-306) Printed in Japan (1992.01.P) <Stock No. 36565-400>