

SERVICE MANUAL

STEREO CONTROL AMPLIFIER

SANSUI C-2101



CAUTION

1. Parts identified by the \triangle symbol on the schematic diagram and the parts list are critical for safety. Use only replacement parts that have critical characteristics recommended by the manufacturer.
2. Make leakage-current or resistance measurements to determine that exposed parts are acceptably insulated from the supply circuit before returning the appliance to the customer.

•SPECIFICATIONS

Input sensitivity and impedance (at 1 kHz)

PHONO-1, 2 (MC)..... 250 μ V/100 ohms
(Max. input capability: 30 mV at 1 kHz, less than 0.01% total harmonic distortion)
PHONO-1, 2 (HIGH MC)
..... 2.5 mV/100 ohms
PHONO-1, 2 (MM)..... 2.5 mV/47 kohms
(Max. input capability: 300 mV at 1 kHz, less than 0.01% total harmonic distortion)
CD, TUNER, LINE-1, 2

..... 150 mV/47 kohms

TAPE PLAY-1, 2, 3 150 mV/47 kohms

Output level (1,000 Hz)

TAPE REC-1, 2, 3 150 mV

OUTPUT 1V

(Max. output level: 15V at 1 kHz, less than 0.01% total harmonic distortion)

Total harmonic distortion (20 Hz to 20 kHz)

PHONO-1, 2 (MC)..... less than 0.01% (REC OUT)

PHONO-1, 2 (MM)..... less than 0.005% (REC OUT)

CD, TUNER, LINE-1, 2

..... less than 0.005%

Frequency response (at 0.5V)

PHONO-1, 2 (MM)

(RIAA curve deviation)

..... 20 Hz ~ 20 kHz \pm 0.2 dB

CD, TUNER, LINE-1, 2

..... DC ~ 300 kHz +0, -3 dB

TAPE PLAY-1, 2, 3 DC ~ 300 kHz +0, -3 dB

Signal to noise ratio (short-circuit, A-network)

PHONO-1, 2 (MC)..... 70 dB

PHONO-1, 2 (MM)..... 88 dB

CD, TUNER, LINE-1, 2

..... 105 dB

TAPE PLAY-1, 2, 3 105 dB

Controls and Filter

LOW \pm 12 dB (70 Hz ~ 300 Hz)

HIGH \pm 12 dB (2 kHz ~ 8 kHz)

SUBSONIC -3 dB at 16 Hz (6 dB/oct)

MUTING -20 dB

LOUDNESS +8 dB at 50 Hz

+6 dB at 10 kHz

(VOLUME: -30 dB position)

Power requirements

Power voltage 120/220/240V (50/60 Hz)

For U.S.A. & Canada

..... 120V (60 Hz)

Power consumption 30 watts

Dimensions 430 mm (16-15/16") W

119 mm (4-11/16") H

326 mm (12-7/8") D

Weight 6 kg (13.2 lbs) net

7 kg (15.4 lbs) packed

* Design and specifications subject to changes without notice for improvements.

Sansui

SANSUI ELECTRIC CO., LTD.

CAUTION

1. The symbols, UL, CSA, SA, BS, UK, EU, AS and XX (EXPORT) on the parts list and the schematic diagram mean followings respectively.
 - UL..... Manufactured for U.S.A market.
(Underwriters Laboratories approved model.)
 - CSA Manufactured for Canadian market.
 - SA..... Manufactured for South African market.
 - BS, UK Manufactured for United Kingdom market.
 - EU Manufactured for European market.
 - AS..... Manufactured for Australian market.
 - XX (EXPORT) Standard Version.
 - NON MARK Common Parts.

2. Some printed circuit boards are not supplied as the assembled. To separate these in this service manual, the stock No's are not indicated at the ends of the board names. However, the individual parts on the circuit boards are provided by orders.

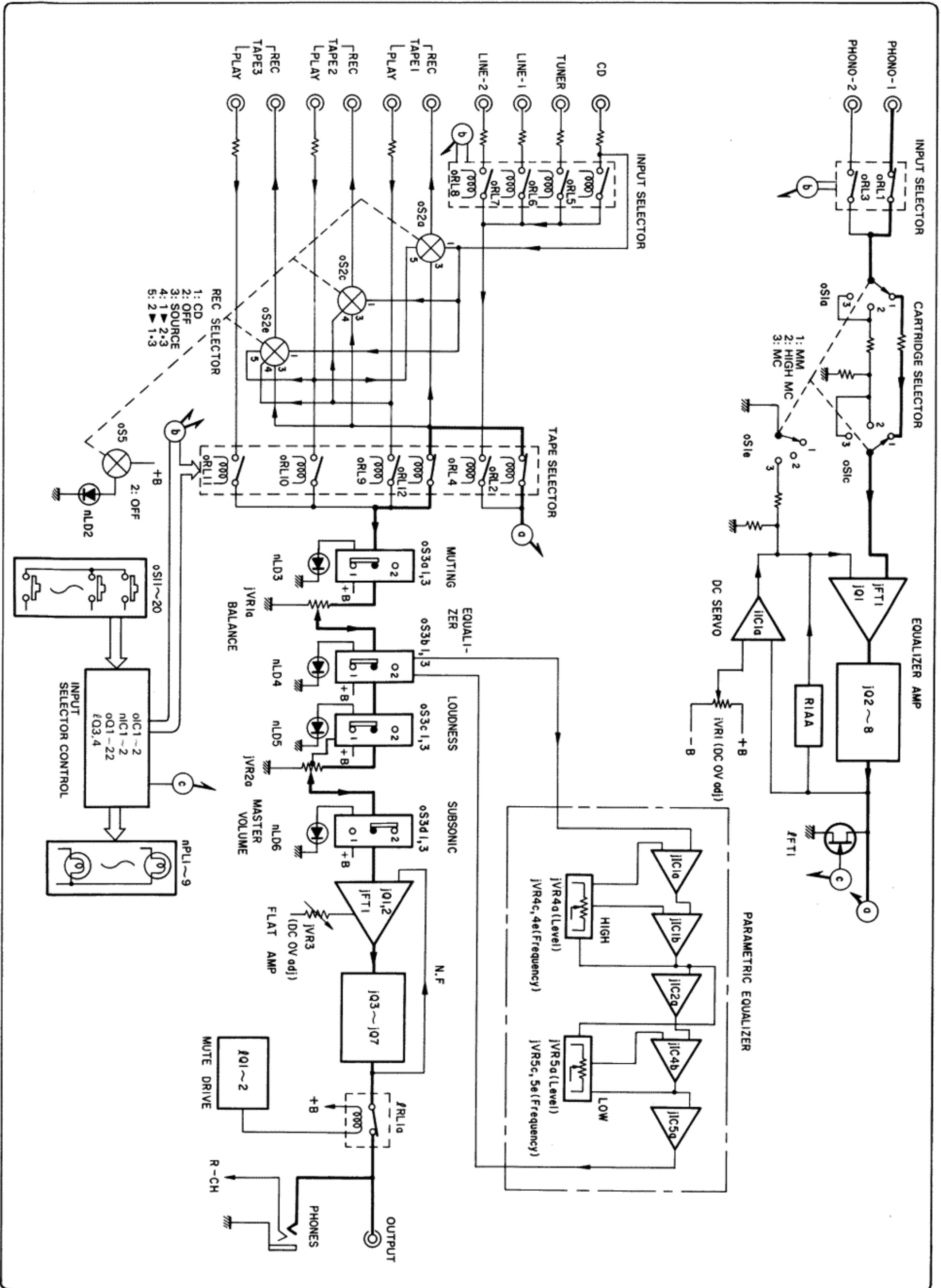
3. Since some of capacitors and resistors are omitted from parts lists in this service manual, refer to the Common Parts List for capacitors & resistors, which was issued on February 1983.

4. Abbreviations in this service manual are as follows.

•Abbreviations List

C.R.	: Carbon Resistor	E.B.L.	: Low Leak Bi-Polar Electrolytic Capacitor
S.R.	: Solid Resistor	Ta.C.	: Tantalum Capacitor
Ce.R.	: Cement Resistor	F.C.	: Film Capacitor
M.R.	: Metal Film Resistor	M.P.	: Metalized Paper Capacitor
F.R.	: Fusing Resistor	P.C.	: Polystyrene Capacitor
N.I.R.	: Non-Inflammable Resistor	G.C.	: Gimmic Capacitor
A.R.	: Array Resistor	A.C.	: Array Capacitor
C.C.	: Ceramic Capacitor	V.R.	: Variable Resistor
C.T.	: Ceramic Capacitor, Temperature Compensation	S.V.R.	: Semi Variable Resistor
E.C.	: Electrolytic Capacitor	SW.	: Switch
E.L.	: Low Leak Electrolytic Capacitor	Chip R.	: Chip Resistor
E.B.	: Bi-Polar Electrolytic Capacitor	Chip C.	: Chip Capacitor

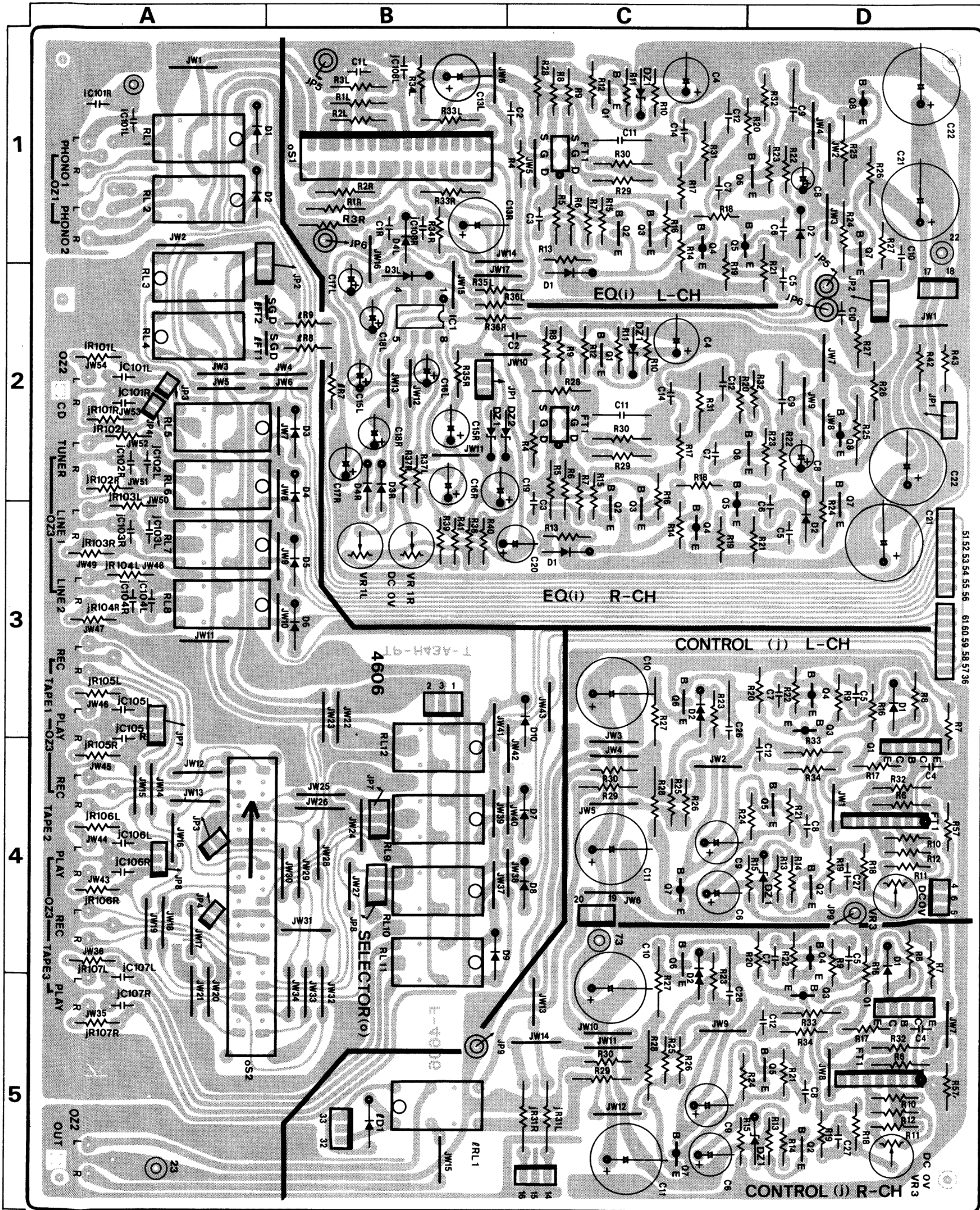
1. BLOCK DIAGRAM



2. PARTS LOCATION & PARTS LIST

2-1. F-4606 EQUALIZER Amp. and FLAT Amp. Circuit Board (Stock No. 00830401)

Component Side



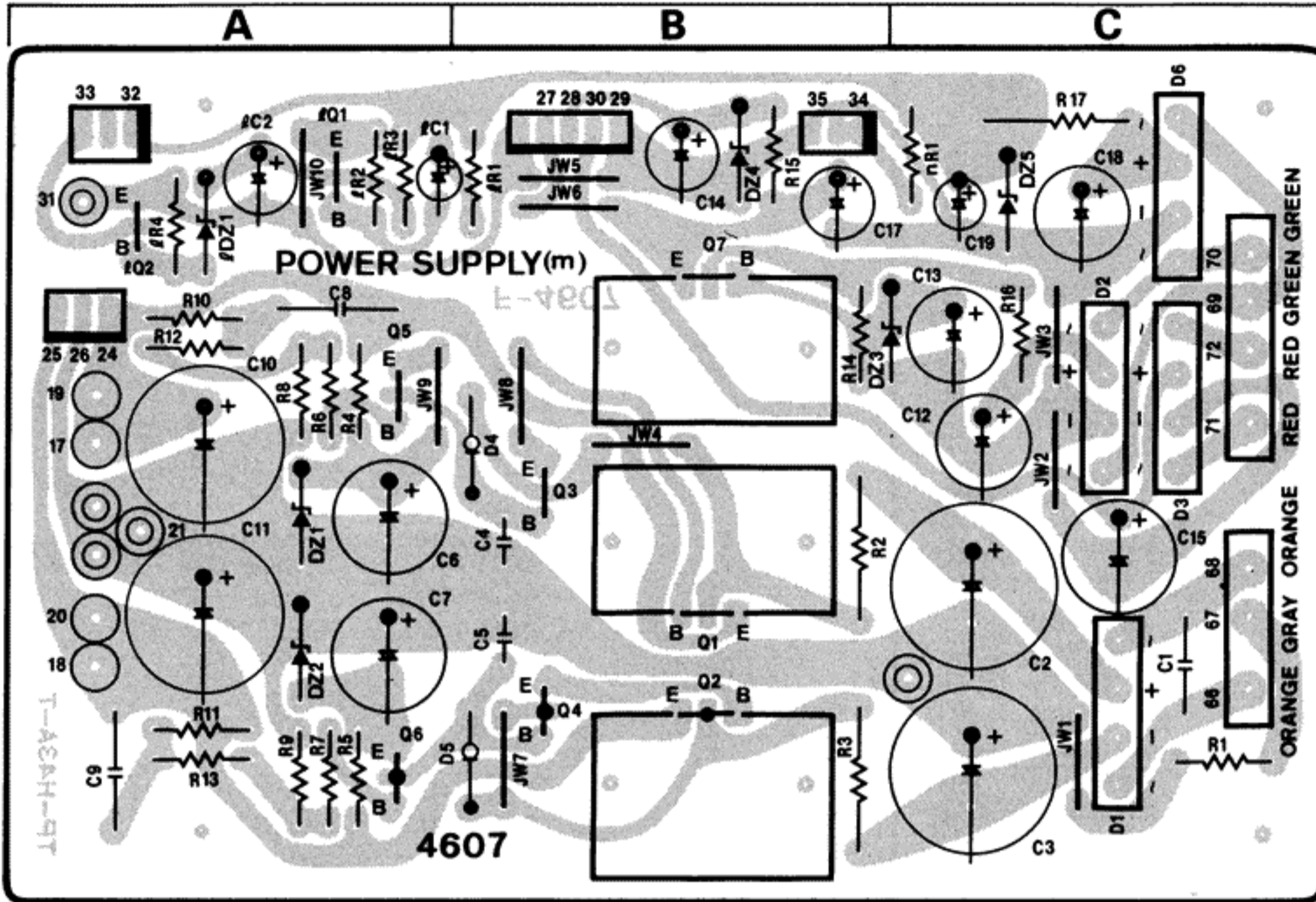
Parts List

Parts No.	Stock No.	Description
•Transistor		
iQ1	46581701	2SC1845
iQ2	46581701	2SC1845
iQ3	46581701	2SC1845
iQ4	46581601	2SA992
iQ5	46581601	2SA992
iQ6	46581701	2SC1845
iQ7	46728301	2SC2705
iQ8	46728201	2SA1145
•FET		
iFT1	03703500	2SK146
•IC		
iIC1	03607700	NJM4558D
•Diode		
iD1	03117600	1S2473T77
	or 46086000	1S1588TP-3
iD2	03117600	1S2473T77
	or 46086000	1S1588-TP-3
iD3	03117600	1S2473T77
	or 46086000	1S1588TP-3
iD4	03117600	1S2473T77
	or 46086000	1S1588TP-3
•Zener Diode		
iDZ1	46114200	05Z13-Y
iDZ2	46114200	05Z13-Y
iDZ3	46114200	05Z13-Y
△ iR24	08922500	47Ω 1/2W N.I.R.
△ iR25	08922500	47Ω 1/2W N.I.R.
iR29	46009100	56kΩ 1/2W C.R.
iR30	46005300	1.5kΩ 1/2W C.R.
iR31	46006500	4.7kΩ 1/2W C.R.
△ iR42	46230800	3.3kΩ 1/2W N.I.R.
△ iR43	46230800	3.3kΩ 1/2W N.I.R.
iC1	46655600	1000pF 100V F.C.
iC2	46653200	100pF 100V F.C.
iC3	46654600	390pF 100V F.C.
iC9	00411600	0.047μF 400V P.C.
iC10	46282500	3900pF 50V F.C.
iC11	00414500	0.056μF 100V P.C.
iC12	00413200	0.016μF 100V P.C.
iC14	46655000	560pF 100V F.C.
iVR1	10342500	4.7kΩ(B) S.V.R., DC 0V adj. (EQ. AMP)
•Transistor		
jQ1	03068801	2SC2291
jQ2	46581701	2SC1845
jQ3	46581601	2SA992
jQ4	46581601	2SA992
jQ5	46581701	2SC1845
jQ6	46728301	2SC2705
jQ7	46728201	2SA1145
•FET		
jFT1	07110000 or 07110001	μPA68H-L μPA68H-M
•Diode		
jD1	03117600 or 46086000	1S2473T77 1S1588TP-3
•Varistor		
jD2	03401500	MV12
•Zener Diode		
jDZ1	46111800	05Z 6.2-Y

Parts No.	Stock No.	Description
△ jR27	08922300	33Ω 1/2W N.I.R.
△ jR28	08922300	33Ω 1/2W N.I.R.
△ jR31	00182600	39Ω 1W N.I.R.
jC5	46655600	1000pF 100V F.C.
jC26	00411600	0.047μF 400V P.C.
jC27	46655600	1000pF 100V F.C.
jVR3	10341500	100kΩ(B) S.V.R., DC 0V adj (Flat AMP)
•FET		
iFT1	46643500 or 46643501 or 46643600 or 46643601	2SK163-K1 2SK163-K2 2SK117-O 2SK117-Y
iFT2	46643500 or 46643501 or 46643600 or 46643601	2SK163-K1 2SK163-K2 2SK117-O 2SK117-Y
•Diode		
iD1	03117700	10E-2
IRL1	48004500	Relay
•Diode		
oD1	48123600	11E-2
oD2	48123600	11E-2
oD3	48123600	11E-2
oD4	48123600	11E-2
oD5	48123600	11E-2
oD6	48123600	11E-2
oD7	48123600	11E-2
oD8	48123600	11E-2
oD9	48123600	11E-2
oD10	48123600	11E-2
oS1	46731600	Slide SW., CARTRIDGE SELECTOR
oS2	48116200	Slide SW., REC SELECTOR
oRL1	48004500	Relay
oRL2	48004500	Relay
oRL3	48004500	Relay
oRL4	48004500	Relay
oRL5	48004500	Relay
oRL6	48004500	Relay
oRL7	48004500	Relay
oRL8	48004500	Relay
oRL9	48004500	Relay
oRL10	48004500	Relay
oRL11	48004500	Relay
oRL12	48004500	Relay
oZ1	46685100	4P Terminal Board, PHONO-1•PHONO-2
oZ2	48109900	2P Terminal Board, OUTPUT•CD
oZ3	46363900	6P Pin Terminal, TUNER•LINE-1• LINE-2•TAPE-1•TAPE-2

2-2. F-4607 Power Supply Circuit Board (Stock No. 00830501)

Component Side



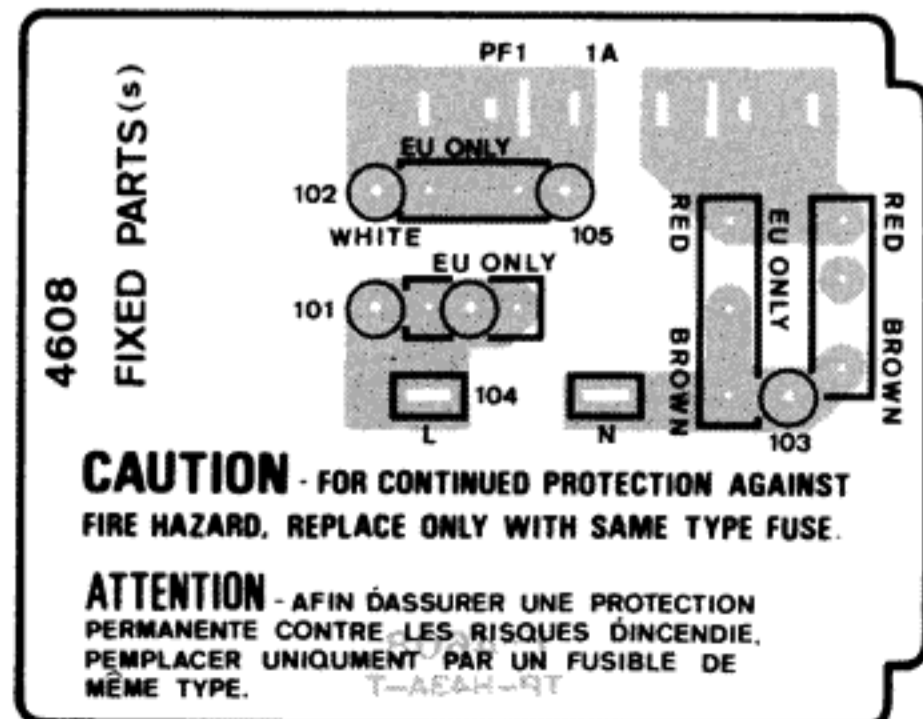
Parts List

Parts No.	Stock No.	Description
• Transistor		
IQ1	46581701	2SC1845
IQ2	46581701	2SC1845
• Zener Diode		
IDZ1	46111800	05Z 6.2-Y
• Transistor		
△ mQ1	46728901	2SC3298
△ mQ2	46728801	2SA1306
mQ3	46581701	2SC1845
mQ4	46581601	2SA992
mQ5	46581701	2SC1845
mQ6	46581601	2SA992
△ mQ7	03086101	2SD357
• Diode		
△ mD1	07193300	UB-152LFF
△ mD2	03117000	RB152-LFF
△ mD3	03117000	RB152-LFF
mD4	46445600	10YD4.5 (Constant Current)
mD5	46445600	10YD4.5 (Constant Current)
△ mD6	03117000	RB152-LFF

Parts No.	Stock No.	Description
• Zener Diode		
mDZ1	46114200	05Z13-Y
mDZ2	46114200	05Z13-Y
mDZ3	46116000	05Z24-Y
mDZ4	46114200	05Z13-Y
mDZ5	46116000	05Z24-Y
△ mR1	46227800	10Ω 1/2W N.I.R.
△ mR2	46227400	4.7Ω 1/2W N.I.R.
△ mR3	46227400	4.7Ω 1/2W N.I.R.
△ mR15	46230000	680Ω 1/2W N.I.R.
△ mR16	46227400	4.7Ω 1/2W N.I.R.
△ mR17	46229700	390Ω 1/2W N.I.R.
△ mC1	07287400	0.01μF 630V F.C.
mC4	46654800	470pF 100V F.C.
mC5	46654800	470pF 100V F.C.
mC8	07255800	0.22μF 200V F.C.
mC9	07255800	0.22μF 200V F.C.
mC10	46628500	470μF 50V E.C.
mC11	46628500	470μF 50V E.C.
△ nR1	46230600	2.2kΩ 1/2W N.I.R.

2-3. F-4608 Fuse Circuit Board

Component Side

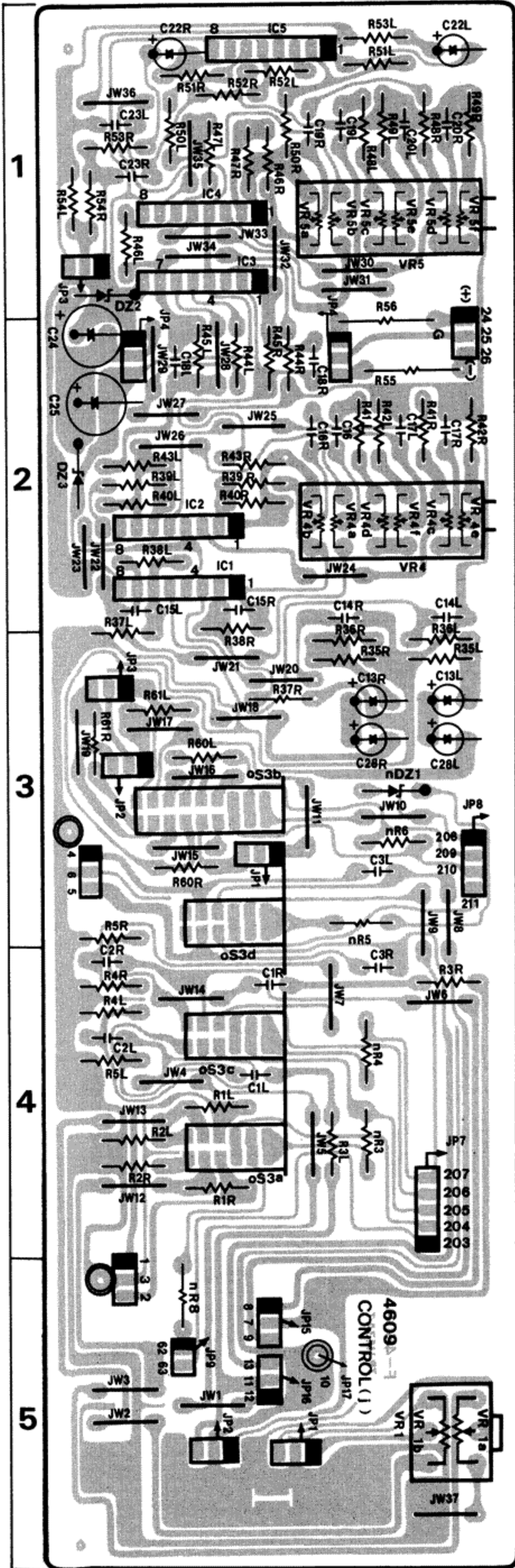


Parts List

Parts No.	Stock No.	Description
△ pF1	07188400	Fuse, 1.0A 250V <XX,UL,CSA>
△	07184700	Fuse, 1.0A 250V <EU>

2-4. F-4609 PARAMETRIC EQUALIZER Circuit Board (Stock No. 00830701)

Component Side

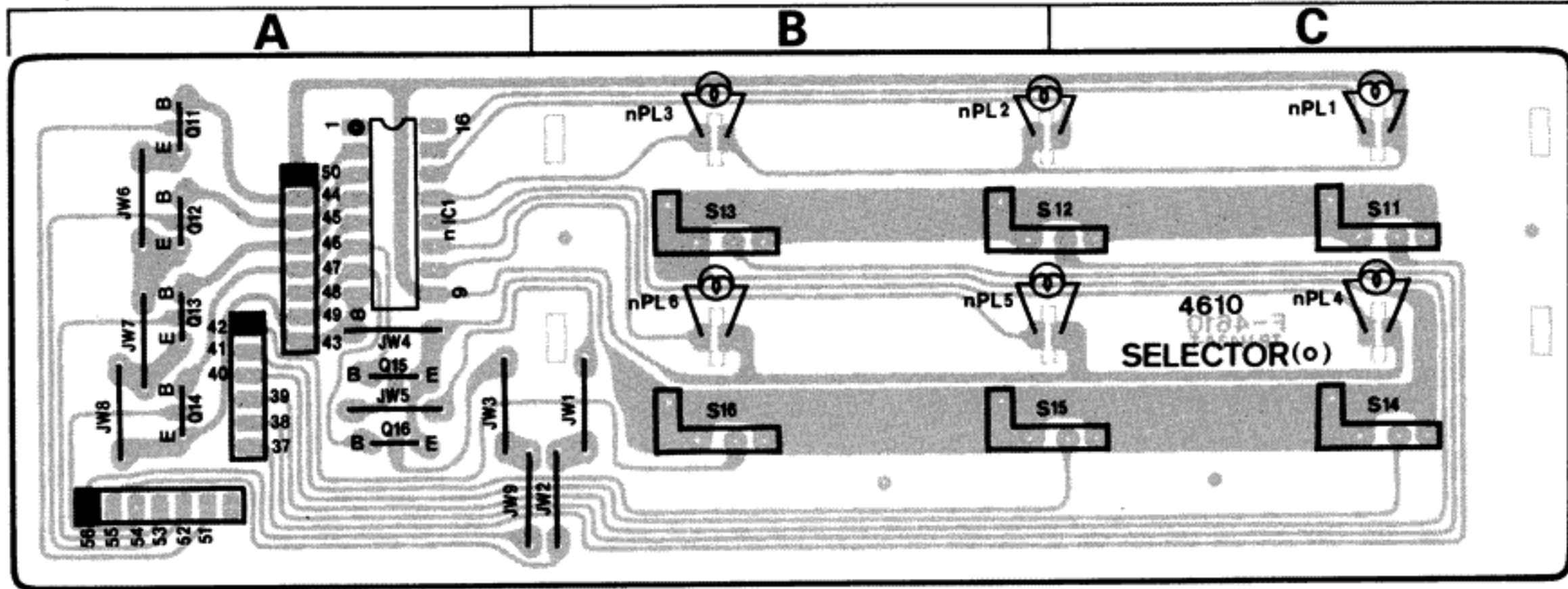


Parts List

Parts No.	Stock No.	Description
•IC		
jIC1	46288800	M5220L
jIC2	46288800	M5220L
jIC3	46288800	M5220L
jIC4	46288800	M5220L
jIC5	46288800	M5220L
•Zener Diode		
jDZ2	46115700	05Z22-Y
jDZ3	46115700	05Z22-Y
Δ jR55	00183200	470Ω 1W N.I.R.
Δ jR56	00183200	470Ω 1W N.I.R.
jC1	46655000	560pF 100V F.C.
jC2	46283900	0.068μF 50V F.C.
jC3	46886600	0.043μF 100V F.C.
jC17	46654600	390pF 100V F.C.
jC19	46696100	0.024μF 50V F.C.
jC20	46283100	0.015μF 50V F.C.
jC23	46281800	1000pF 50V F.C.
jVR1	48112400	250kΩ V.R., BALANCE
jVR4	48111000	100kΩ•10kΩ V.R., PARAMETRIC EQUALIZER
jVR5	48111000	100kΩ•10kΩ V.R., PARAMETRIC EQUALIZER
•Zener Diode		
nDZ1	46109100 or 46109200	05Z 2.7-Y 05Z 2.7-Z
Δ nR8	46229900	560Ω 1/2W N.I.R.
oS3	48113100	PUSH SW., EQUALIZER• SUBSONIC•LOUDNESS•MUTING

2-5. F-4610 INPUT SELECTOR Circuit Board (Stock No. 00830801)

Component Side



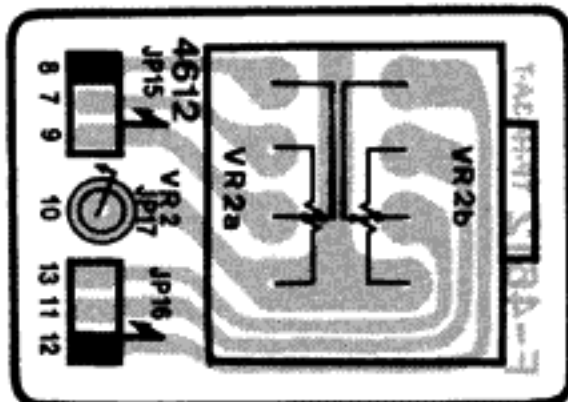
Parts List

Parts No.	Stock No.	Description
•IC		
nIC1	48109500	BA12003
nPL1	48049600	Pilot Lamp 8V 0.1A
nPL2	48049600	Pilot Lamp 8V 0.1A
nPL3	48049600	Pilot Lamp 8V 0.1A
nPL4	48049600	Pilot Lamp 8V 0.1A
nPL5	48049600	Pilot Lamp 8V 0.1A
nPL6	48049600	Pilot Lamp 8V 0.1A

Parts No.	Stock No.	Description
•Transistor		
oQ11	48109800	DTC143ES
oQ12	48109800	DTC143ES
oQ13	48109800	DTC143ES
oQ14	48109800	DTC143ES
oQ15	48109800	DTC143ES
oQ16	48109800	DTC143ES
oS11	46396700	Push SW., PHONO-1
oS12	46396700	Push SW., PHONO-2
oS13	46396700	Push SW., CD
oS14	46396700	Push SW., TUNER
oS15	46396700	Push SW., LINE-1
oS16	46396700	Push SW., LINE-2

2-6. F-4612 MASTER VOLUME Circuit Board

Component Side

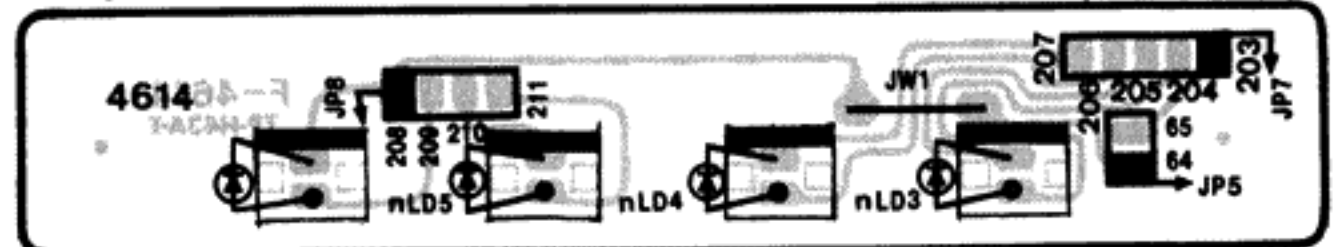


Parts List

Parts No.	Stock No.	Description
jVR2	48110900	100kΩ(A) V.R., MASTER VOLUME

2-8. F-4614 L.E.D Circuit Board

Component Side

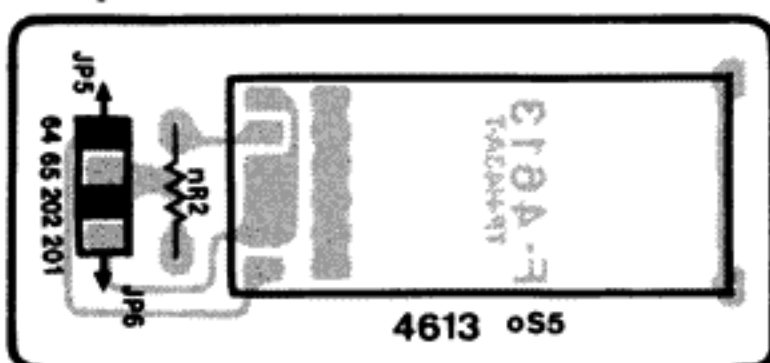


Parts List

Parts No.	Stock No.	Description
•L.E.D		
nLD3	46174000	SLP-470C
nLD4	46174000	SLP-470C
nLD5	46174000	SLP-470C
nLD6	46174000	SLP-470C

2-7. F-4613 REC SELECTOR Circuit Board

Component Side

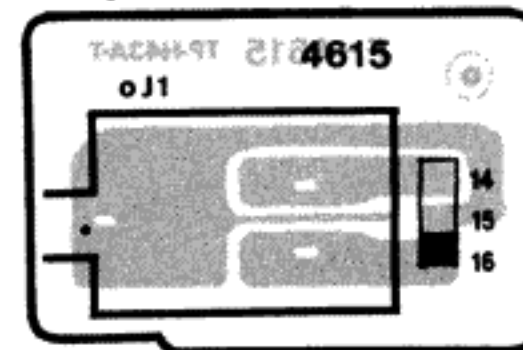


Parts List

Parts No.	Stock No.	Description
oS5	48112300	Rotary SW., REC SELECTOR

2-9. F-4615 PHONES Jack Circuit Board

Component Side

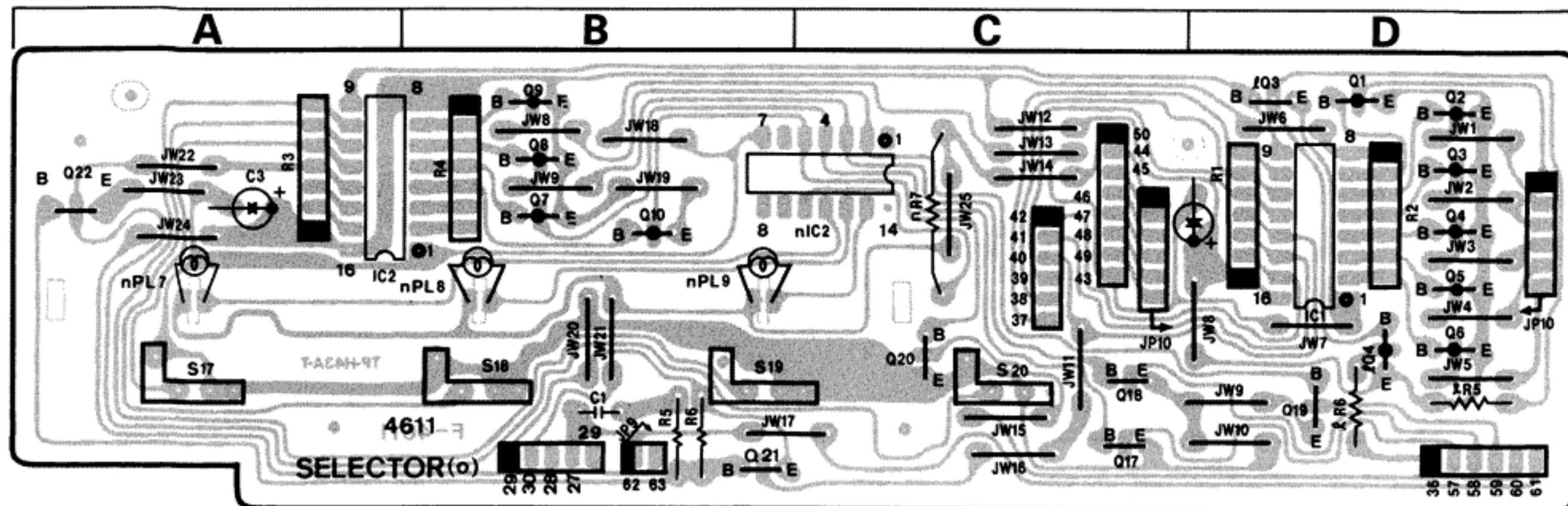


Parts List

Parts No.	Stock No.	Description
oJ1	46078100	Jack, PHONES

2-10. F-4611 SELECTOR Control Circuit Board (Stock No. 00830901)

Component Side



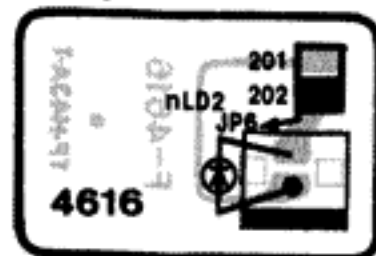
Parts List

Parts No.	Stock No.	Description
•Transistor		
IQ3	48109800	DTA143ES
IQ4	48109700	DTA143ES
•IC		
nIC2	46397500	BA612
△nR7	00192000	820Ω 2W N.I.R.
nPL7	48049600	Pilot Lamp 8V 0.1A
nPL8	48049600	Pilot Lamp 8V 0.1A
nPL9	48049600	Pilot Lamp 8V 0.1A
•Transistor		
oQ1	48109700	DTA143ES
oQ2	48109700	DTA143ES
oQ3	48109700	DTA143ES
oQ4	48109700	DTA143ES
oQ5	48109700	DTA143ES
oQ6	48109700	DTA143ES
oQ7	48109700	DTA143ES
oQ8	48109700	DTA143ES

Parts No.	Stock No.	Description
oQ9	48109700	DTA143ES
oQ10	48109700	DTA143ES
oQ17	48109800	DTA143ES
oQ18	48109800	DTA143ES
oQ19	48109800	DTA143ES
oQ20	48109800	DTA143ES
oQ21	46581701	2SC1845
oQ22	46581701	2SC1845
•IC		
oIC1	48109600	TC9135P
oIC2	48109600	TC9135P
oR1	46346800	100kΩ × 6 1/8W A.R.
oR2	46346800	100kΩ × 6 1/8W A.R.
oR3	46346800	100kΩ × 6 1/8W A.R.
oR4	46346800	100kΩ × 6 1/8W A.R.
oS17	46396700	Push SW., TAPE-1
oS18	46396700	Push SW., TAPE-2
oS19	46396700	Push SW., TAPE-3
oS20	46396700	Push SW., OFF

2-11. F-4616 REC SELECTOR Indicator Circuit Board

Component Side

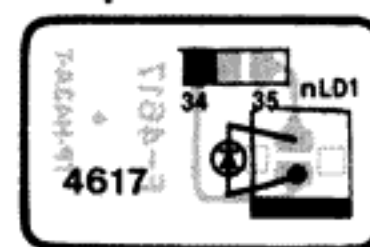


Parts List

Parts No.	Stock No.	Description
•L.E.D		
nLD2	03193700	SEL1110S

2-12. F-4617 Power Indicator Circuit Board

Component Side

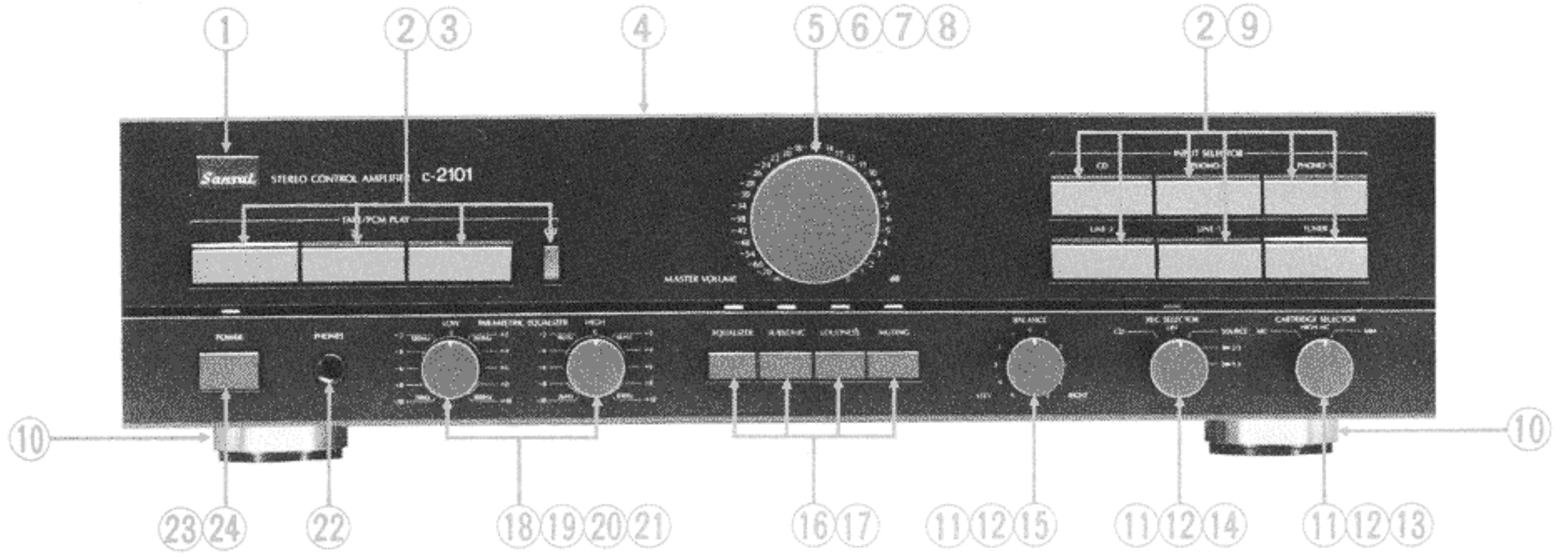


Parts List

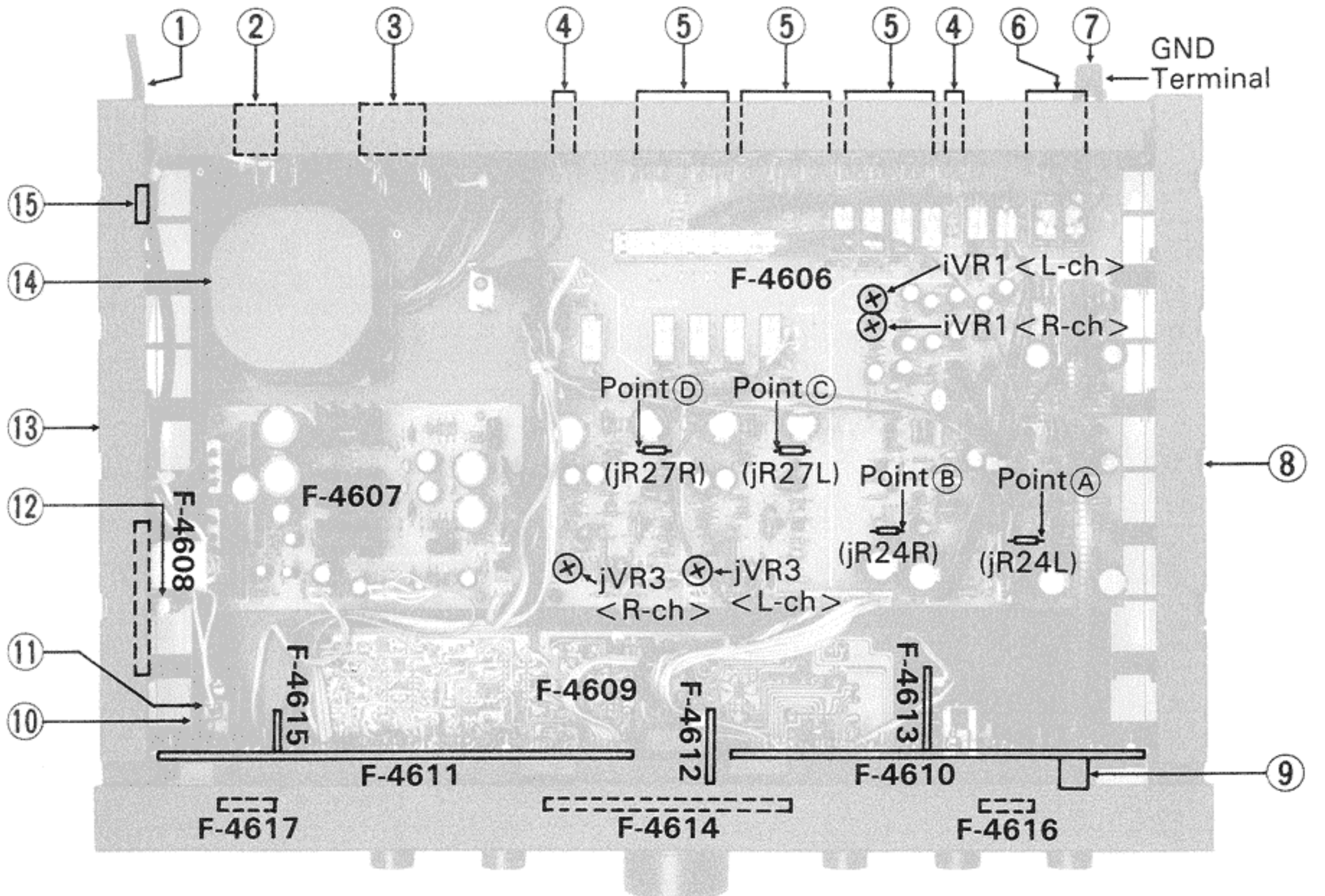
Parts No.	Stock No.	Description
•L.E.D		
nLD1	03193700	SEL1110S

3. OTHER PARTS

3-1. Front View



3-2. Top View



Parts List < Front View >

Parts No.	Stock No.	Description
1	47650900	Front Panel Ass'y
2	47645800	Joint Knob
3	46396700	Push SW., TAPE-1•TAPE-2• TAPE-3•OFF
4	47650500	Bonnet
5	47649400	Knob, MASTER VOLUME
6	47649800	Teflon Washer
7	47649700	Knob Base
8	48110900	100k Ω (A) V.R., MASTER VOLUME
9	46396700	Push SW., PHONO-1, PHONO-2•CD TUNER•LINE-1• LINE-2
10	47716600	Leg Ass'y
11	47653500	Knob, BALANCE•REC SELECTOR•CARTRIDGE SELECTOR
12	47649900	Teflon Washer
13	48112200	Rotary SW. (with flexible wire) CARTRIDGE SELECTOR
14	48112300	Rotary SW. (with flexible wire) REC SELECTOR
15	48112400	250k Ω V.R., BALANCE
16	47625000	Push Knob, EQUALIZER• SUBSONIC•LOUDNESS•MUTING
17	48113100	Push SW., EQUALIZER• SUBSONIC•LOUDNESS•MUTING
18	47649500	Knob, PARAMETRIC EQUALIZER Level (Outside)
19	47649600	Knob, PARAMETRIC EQUALIZER Frequency (Inside)
20	47656300	Teflon Washer
21	48111000	100k Ω •10k Ω V.R., PARAMETRIC EQUALIZER
22	46078100	Jack, PHONES
23	47633700	Push Knob, POWER
△24	46612900	Push SW., POWER

Parts List < Top View >

Parts No.	Stock No.	Description
△1	46321000	Power Supply Cord <XX,UL,CSA>
△1	46128900	Power Supply Cord <EU>
△2	48069600	Voltage Selector Switch <XX>
△1	07204700	Slide SW., Voltage Selector <EU>
△3	46730400	AC Outlet <XX,UL,CSA>
△1	46161000	AC Outlet <EU>
4	48109900	2P Terminal Board, OUTPUT•CD
5	46363900	6P Terminal Board, TUNER•LINE-1• LINE-2•TAPE-1•TAPE-2•TAPE-3
6	46685100	4P Terminal Board, PHONO-1• PHONO-2
7	22301900	GND Terminal
8	47661900	Side Panel Ass'y (Right)
9	48112200	Rotary SW., CARTRIDGE SELECTOR
△10	46425800	0.01 μ F 400V C.C.
△11	46612900	Push SW., POWER
△12	07188400	Fuse 1.0A 250V <XX,UL,CSA>
△1	07184700	Fuse 1.0A 250V <EU>
13	47661800	Side panel Ass'y (Left)
△14	15018301	Power Transformer <XX>
△1	15018302	Power Transformer <UL,CSA>
△1	15018305	Power Transformer <EU>
15	47157300	Power Supply Cord Cover

4. ADJUSTMENT

- Condition:**
1. Master Volume Minimum
 2. Room Temperature 18°C ~ 28°C (65°F ~ 83°F)
 3. Test Equipment DC Volt Meter
 4. For this adjustment, run the unit for more than 3 minutes after the power is switched ON.

4-1. F-4606 Equalizer Amp. Circuit Adjustment (Refer to Top View on Page 7)

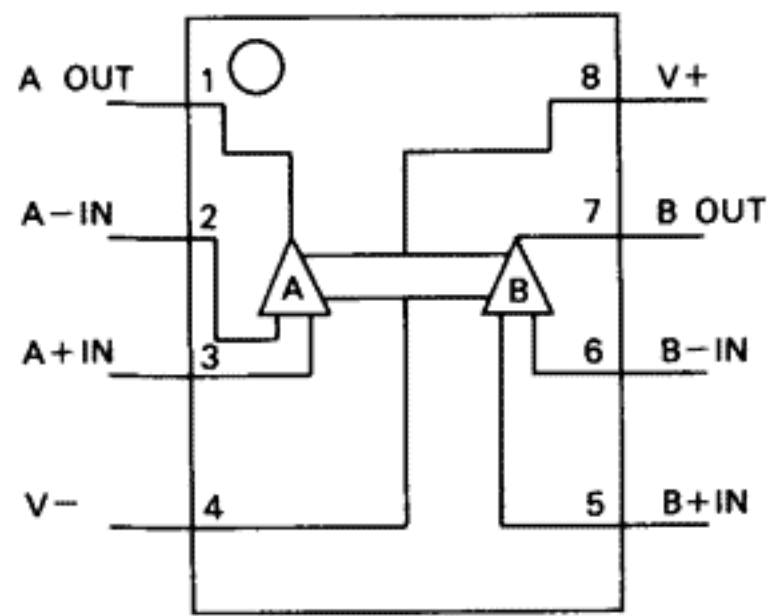
STEP	SUBJECT	MESURE OUTPUT	ADJUST	ADJUST FOR
1	Center DC 0V Adj. <L-ch>	DC Voltage between Test Point (A) (iR24L) and GND Terminal.	iVR1 <L-ch>	DC 0 \pm 5mV
2	Center DC 0V Adj. <R-ch>	DC Voltage between Test Point (B) (iR24R) and GND Terminal.	iVR1 <R-ch>	DC 0 \pm 5mV

4-2. F-4606 Flat Amp. Circuit Adjustment (Refer to Top View on Page 7)

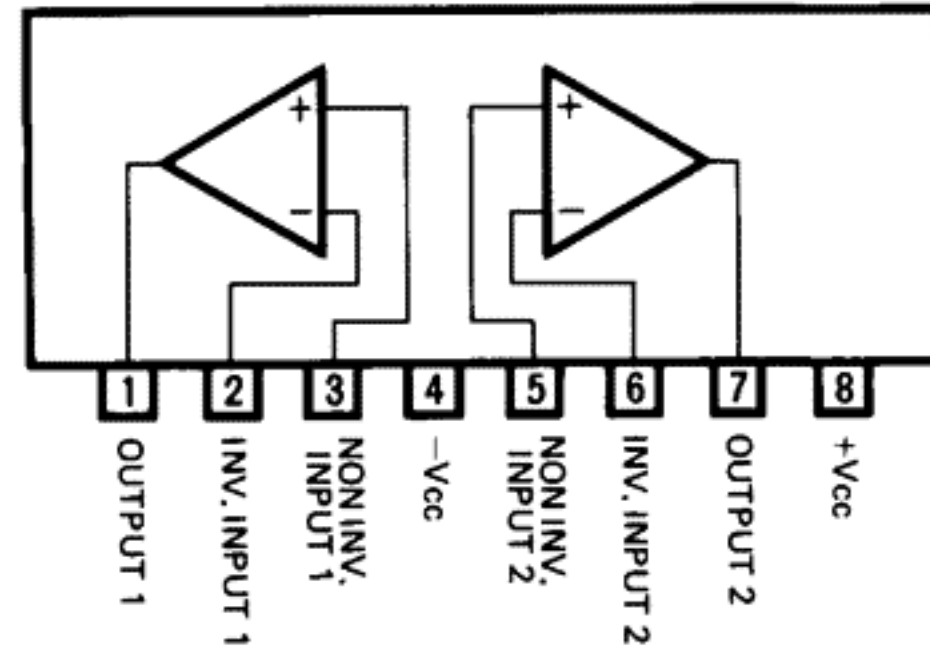
STEP	SUBJECT	MESURE OUTPUT	ADJUST	ADJUST FOR
1	Center DC 0V Adj. <L-ch>	DC Voltage between Test Point (C) (jR27L) and GND Terminal.	jVR3 <L-ch>	DC 0 \pm 5mV
2	Center DC 0V Adj. <R-ch>	DC Voltage between Test Point (D) (jR27R) and GND Terminal.	jVR3 <R-ch>	DC 0 \pm 5mV

5. INTERIOR BLOCK DIAGRAM OF IC

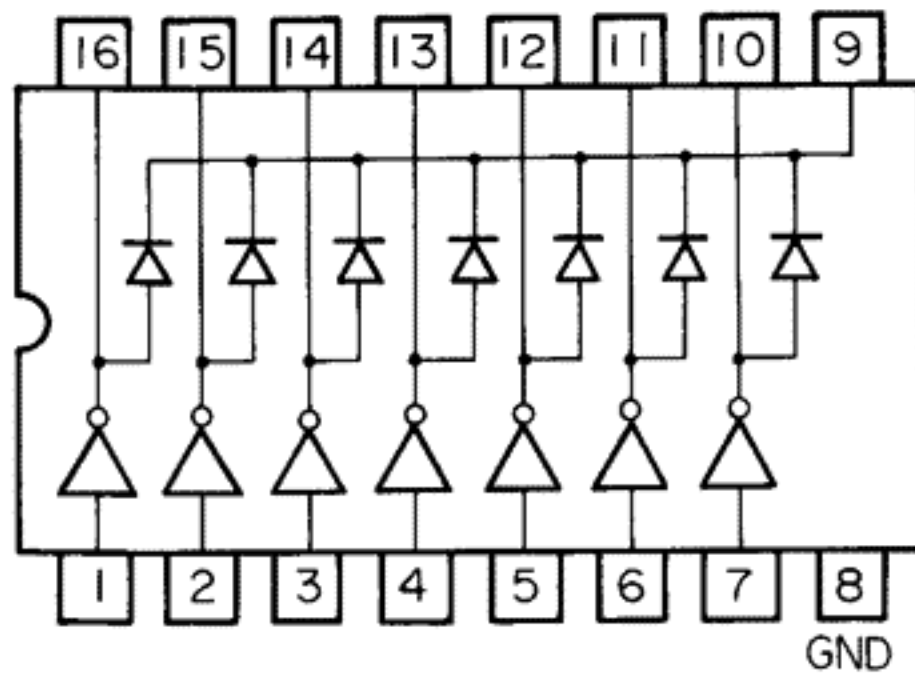
•NJM4558D (OP Amp. IC)



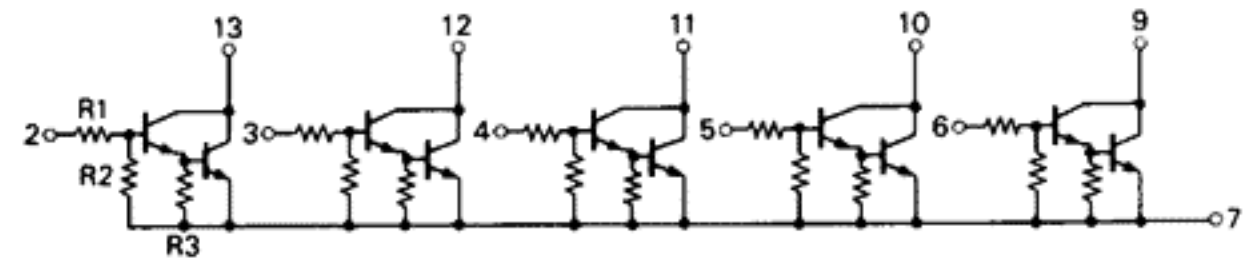
•M5220L (Audio Pre Amp. IC)



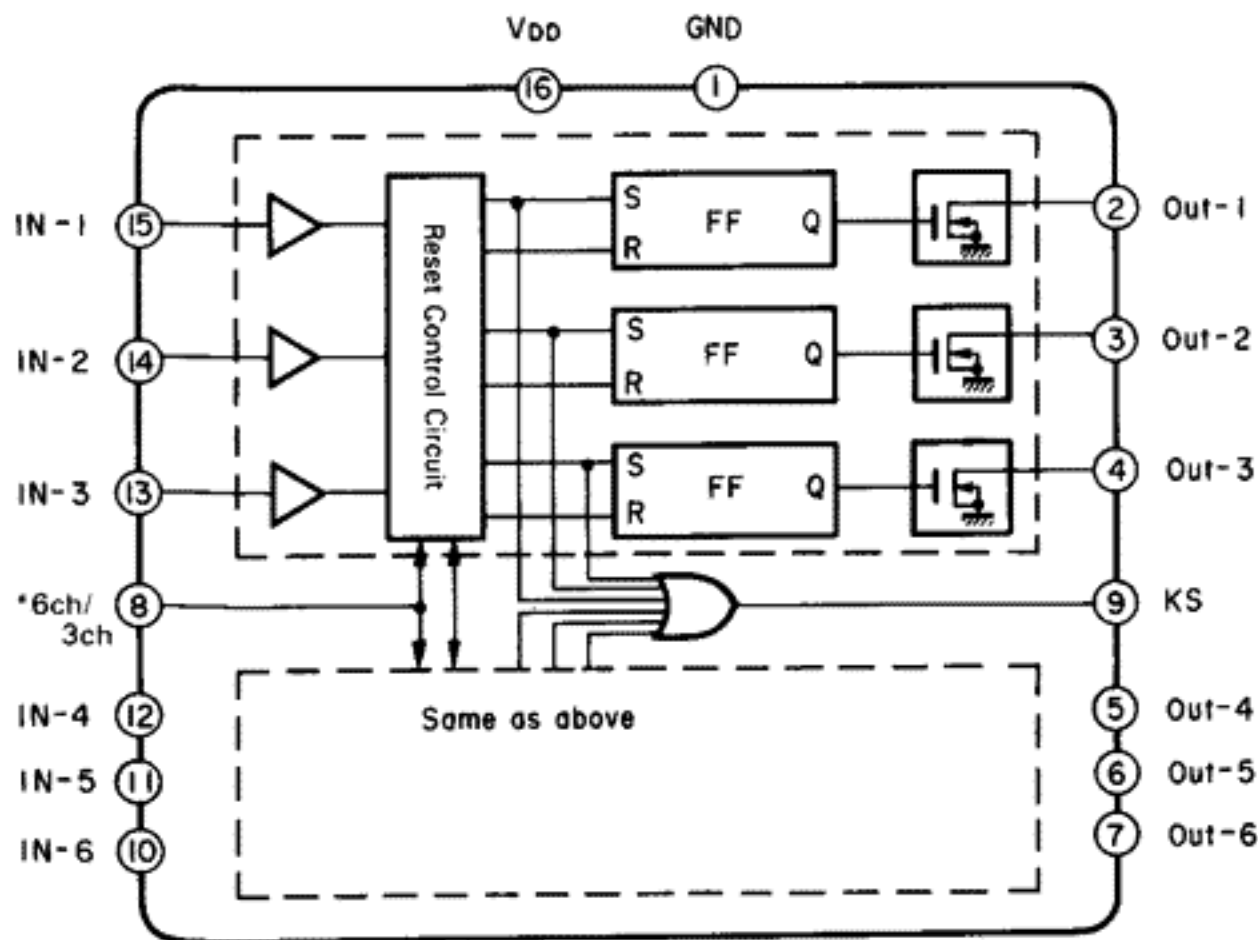
•BA12003 (Indicator Lamp Drive IC)



•BA612 (Indicator Lamp Drive IC)



•TC9135P (Function Switch IC)

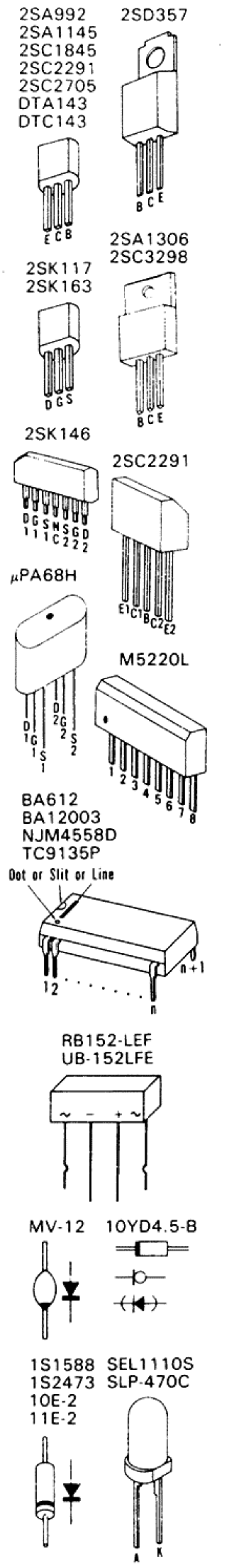
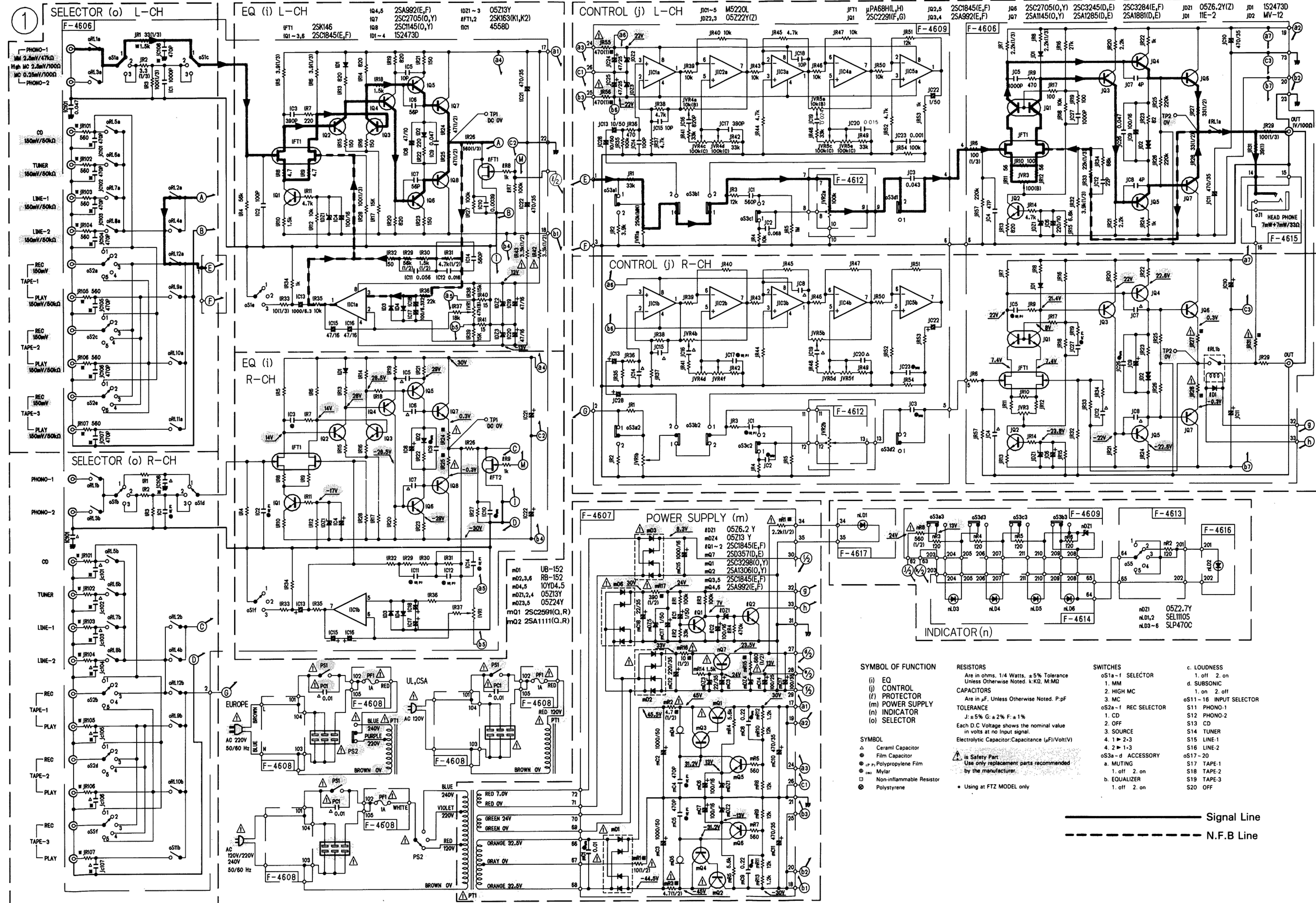


* Terminal for inputting mutual reset control.
 When this terminal is H level voltage, all Flip-Flop Circuits are mutual reset type.
 When this terminal is L level voltage, each Flip-Flop circuits are separated to two mutual reset groups of IN-1 ~ IN-3 and IN-4 ~ IN-6.

6. SCHEMATIC DIAGRAM

6-1. Control Amp. Section

• Design and specifications subject to change without notice for improvement.
 • La présentation et les spécifications sont susceptibles d'être modifiées sans préavis par suites d'améliorations éventuelles.
 • Änderungen, die dem technischen Fortschritt dienen, bleiben vorbehalten.



SYMBOL OF FUNCTION
 (i) EQ
 (j) CONTROL
 (l) PROTECTOR
 (m) POWER SUPPLY
 (n) INDICATOR
 (o) SELECTOR

SYMBOL
 △ Ceram. Capacitor
 ● Film Capacitor
 ○ Polypropylene Film
 ⊙ Mylar
 □ Non-inflammable Resistor
 ⊕ Polystyrene

RESISTORS
 Are in ohms, 1/4 Watts, ±5% Tolerance
 Unless Otherwise Noted, k.K.D. M.M.D.
CAPACITORS
 Are in μF. Unless Otherwise Noted, P.p.F
TOLERANCE
 J: ±5% K: ±2% F: ±1%
 Each D.C. Voltage shows the nominal value
 in volts at no input signal.
 Electrolytic Capacitor: Capacitance (μF)/Volt(V)

SWITCHES
 oS1a-1 SELECTOR
 1. HIGH MC
 2. OFF
 3. SOURCE
 4. 1 → 2-3
 4. 2 → 1-3
 oS3a-d ACCESSORY
 a. MUTING
 1. off 2. on
 b. EQUALIZER
 1. off 2. on

INDICATOR (n)
 nD1 0526.2 Y
 nD2 05213 Y
 nD3 2SC1845(E,F)
 nD4 2SD357(D,E)
 nD5 2SC3298(O,Y)
 nD6 2SA1306(O,Y)
 nD7 2SC1845(E,F)
 nD8 2SA992(E,F)
 nD9 0522.7Y
 nD10 SEL110S
 nD11 SLP470C
 nD12 0522.7-Z
 nD13 05213-Y
 nD14 05222-Y
 nD15 05224-Y

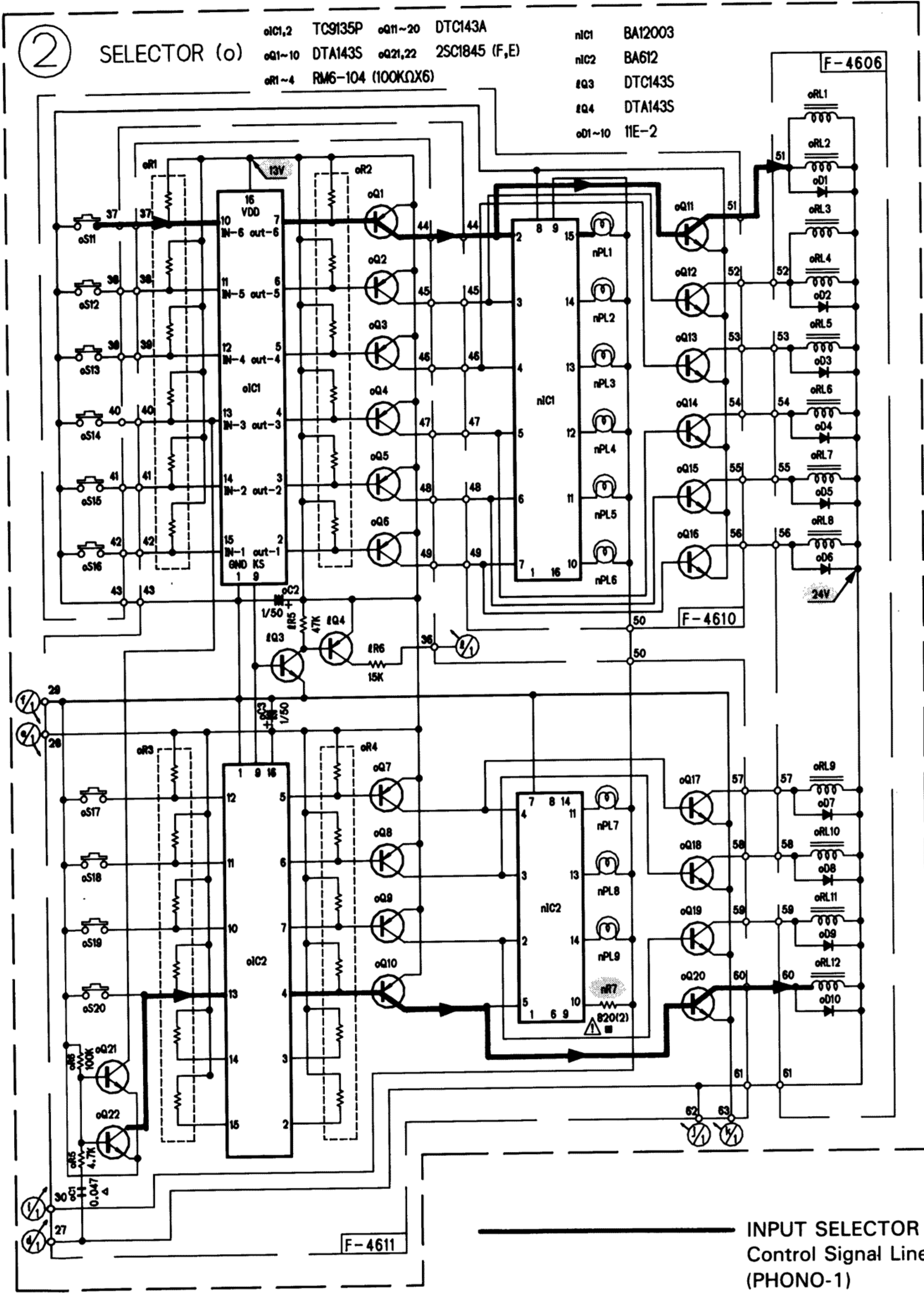
— Signal Line
 - - - N.F.B Line

1
 2
 3
 4
 5

A B C D

6-2. INPUT SELECTOR Control Section

* Design and specifications subject to change without notice for improvement.
 * La présentation et les spécifications sont susceptibles d'être modifiées sans préavis par suites d'améliorations éventuelles.
 * Änderungen, die dem technischen Fortschritt dienen, bleiben vorbehalten.



- 2SA992
- 2SA1145
- 2SC1845
- 2SC2291
- 2SC2705
- DTA143
- DTC143
- 2SD357
- 2SA1306
- 2SC3298
- 2SK117
- 2SK163
- 2SK146
- 2SC2291
- μPA68H
- M5220L
- BA612
- BA12003
- NJM4558D
- TC9135P
- Dot or Slit or Line
- RB152-LEF
- UB-152LFE
- MV-12
- 10YD4.5-B
- 1S1588
- 1S2473
- 10E-2
- 11E-2
- SEL1110S
- SLP-470C
- 05Z2.7-Z
- 05Z6.2-Y
- 05Z13-Y
- 05Z22-Y
- 05Z24-Y

SYMBOL OF FUNCTION

- (i) EQ
- (j) CONTROL
- (l) PROTECTOR
- (m) POWER SUPPLY
- (n) INDICATOR
- (o) SELECTOR

SYMBOL

- △ Cerami Capacitor
- ⊙ Film Capacitor
- ⊙ (P, P) Polypropylene Film
- ⊙ (M) Mylar
- Non-inflammable Resistor
- ⊙ Polystyrene

RESISTORS
 Are in ohms, 1/4 Watts, ±5% Tolerance Unless Otherwise Noted. k:KΩ, M:MQ

CAPACITORS
 Are in μF, Unless Otherwise Noted. P: pF

TOLERANCE
 J: ±5% G: ±2% F: ±1%

Each D.C Voltage shows the nominal value in volts at no Input signal.

Electrolytic Capacitor: Capacitance (μF)/Volt(V)

is Safety Part
 Use only replacement parts recommended by the manufacturer.

SWITCHES

- oS1a-f SELECTOR
- 1. MM
- 2. HIGH MC
- 3. MC
- oS2a-f REC SELECTOR
- 1. CD
- 2. OFF
- 3. SOURCE
- 4. 1 ▶ 2-3
- 4. 2 ▶ 1-3
- oS3a-d ACCESSORY
- a. MUTING
- 1. off 2. on
- b. EQUALIZER
- 1. off 2. on

c. LOUDNESS

- 1. off 2. on

d. SUBSONIC

- 1. on 2. off

oS11-16 INPUT SELECTOR

- S11 PHONO-1
- S12 PHONO-2
- S13 CD
- S14 TUNER
- S15 LINE-1
- S16 LINE-2
- oS17-20
- S17 TAPE-1
- S18 TAPE-2
- S19 TAPE-3
- S20 OFF

1

2

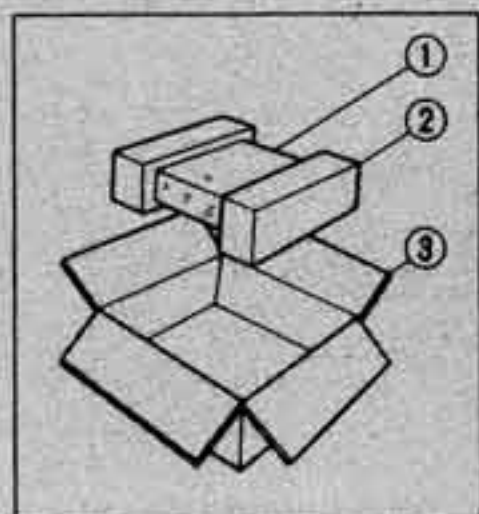
3

4

5

7. PACKING LIST

Parts No.	Stock No.	Description
1	91167620	Vinyl Cover
2	47675300	Styrofoam Packing
3	47624600	Carton Case



8. ACCESSORY LIST

Stock No.	Description
46958600	Operating Instruction
38103300	PJP Cord
24105600	Pin Plug

SANSUI ELECTRIC CO., LTD.:

SANSUI ELECTRONICS CORPORATION:

SANSUI ELECTRONICS (U.K.) LTD.:
SANSUI ELECTRONICS G.M.B.H.:

14-1, Izumi 2-chome, Suginami-ku, Tokyo 168 Japan
 PHONE: (03) 324-8891/TELEX: 232-2076 (International Division)
 1250 Valley Brook Ave. Lyndhurst, N.J. 07071 U.S.A.
 17150 South Margay Ave. Carson, California 90746 U.S.A.
 3036 Koapaka Street, Honolulu, Hawaii 96819 U.S.A.
 Unit 10A, Lyon Industrial Estate, Rockware Avenue, Geonford, Middx UB6, OAA, England
 Pau Ehrich Strasse 8, 8074 Rödermark 2, West Germany

(SM1-184)

Printed in Japan (740420M) <Stock No. 36499900>