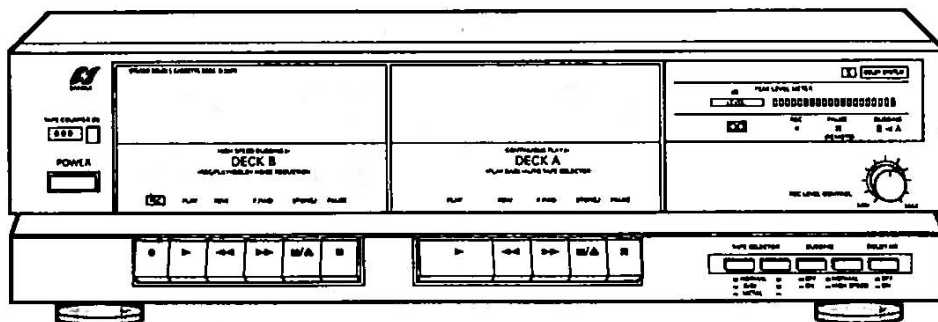




SERVICE MANUAL

D-350W STEREO CASSETTE DECK



CAUTION

1. Parts identified by the \triangle symbol on the schematic diagram and the parts list are critical for safety. Use only replacement parts that have critical characteristics recommended by the manufacturer.
2. Make leakage-current or resistance measurements to determine that exposed parts are acceptably insulated from the supply circuit before returning the appliance to the customer.

NOTICE

1. The symbols UL, CSA, EU, UK, SEV, SS and XX <EXPORT> on the parts list and the schematic diagram mean followings respectively.
 - UL Manufactured for U.S.A. market. (Underwriters Laboratories approved model.)
 - CSA Manufactured for Canadian market.
 - EU Manufactured for European market. (Except United Kingdom and Swiss market.)
 - UK Manufactured for United Kingdom market.
 - SEV Manufactured for Swiss market.
 - SS Manufactured for Saudi Arabian market.
 - XX Standard Version.
 - <EXPORT>
 - NON MARK . . . Common Parts.
2. Some printed circuit boards are not supplied assembled. To separate these in this service manual, the part numbers are not indicated for these boards. However, part numbers for individual parts are indicated.
3. Since some capacitors and resistors are omitted from parts lists in this service manual, refer to the Common Parts List for capacitors and resistors, which was issued on June 1987.

4. Abbreviations in this service manual are as follows:

Abbreviations List

C.R. : Carbon Resistor	E.B.L. : Low Leak Bi-Polar Electrolytic Capacitor
S.R. : Solid Resistor	Ta.C. : Tantalum Capacitor
Ce.R. : Cement Resistor	F.C. : Film Capacitor
M.R. : Metal Film Resistor	M.P. : Metalized Paper Capacitor
F.R. : Fusing Resistor	P.C. : Polystyrene Capacitor
N.I.R. : Non-Inflammable Resistor	M.M.C. : Metalized Mylar Capacitor
A.R. : Array Resistor	A.C. : Array Capacitor
C.C. : Ceramic Capacitor	V.R. : Variable Resistor
C.T. : Ceramic Capacitor, Temperature Compensation	S.V.R. : Semi-Variable Resistor
E.C. : Electrolytic Capacitor	SW. : Switch
E.L. : Low Leak Electrolytic Capacitor	S.C. : Styrol Capacitor
E.B. : Bi-Polar Electrolytic Capacitor	

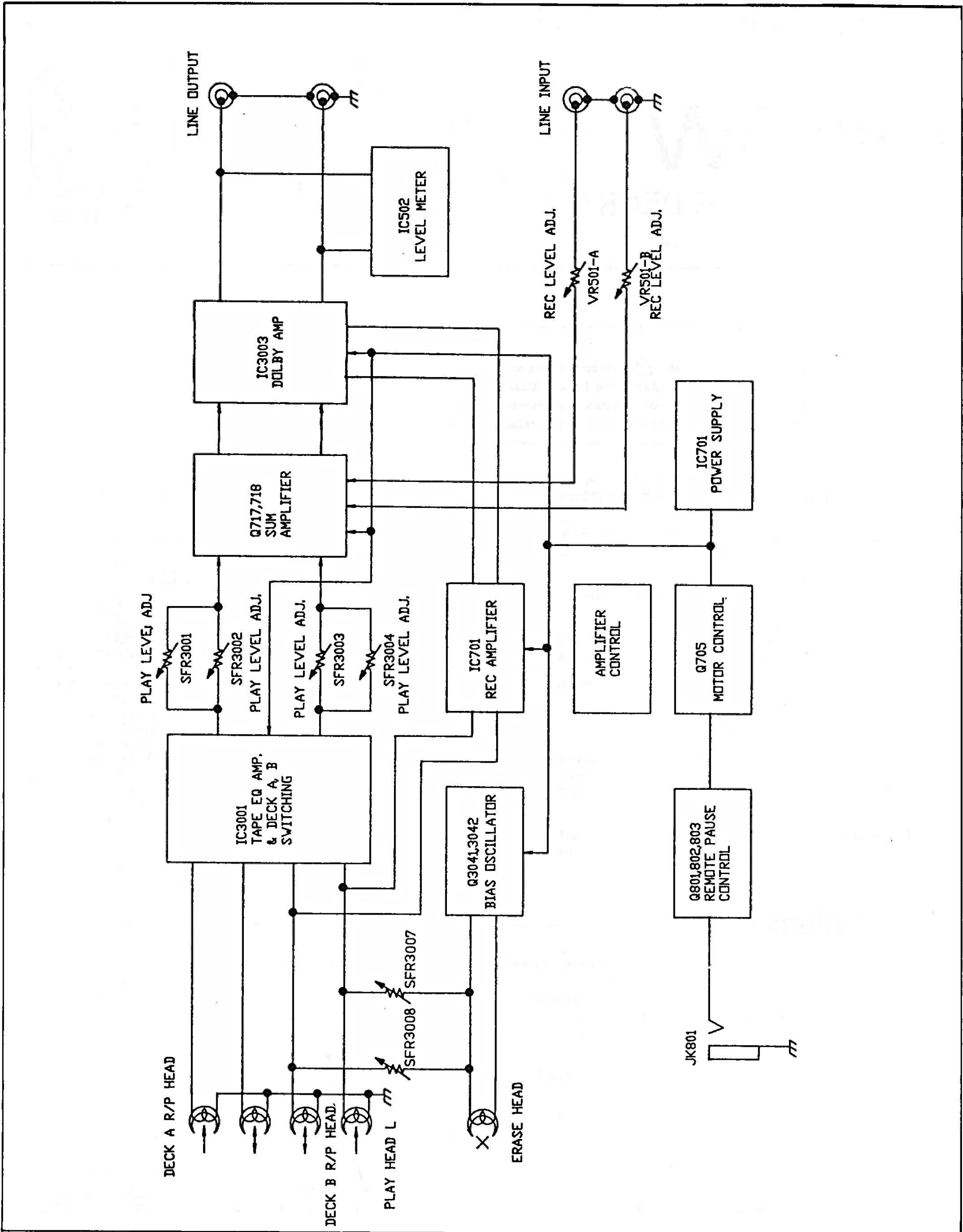
Specifications

Track format	4-track/2-channel system
Tape speed	4.75 cm/sec.
Wow/flutter	0.15% max. (WRMS)
Fast forwarding (rewinding) time	Approx. 170 sec. (for C-60 tape)
Frequency response	
Normal tape (LH)	125 to 12,500Hz \pm 4dB
Signal-to-noise ratio	
DOLBY NR ON	Better than 50dB
Input sensitivity	
LINE IN (REC)	100 mV
Power requirements	120/220-240V (50/60 Hz)
For U.S.A. and Canada	120V (60 Hz)
European	220/240V (50 Hz)
Asia	120/230V (50/60 Hz)

Power consumption	15 watts
Dimensions	430 mm (16-15/16") W
	134 mm (5-3/4") H
	215 mm (8-1/2") D
Weight	4 kgs (8.8 lbs) net

- Design and specifications subject to changes without notice for improvements.
- Due to local laws and regulations, this unit sold in some areas are not equipped with variable voltage selectors.
- Dolby noise reduction manufactured under license from Dolby Laboratories Licensing Corporation. "DOLBY", the double-D symbol (D) are trade marks of Dolby Laboratories Licensing Corporation.

1. BLOCK DIAGRAM

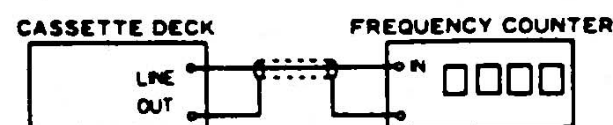


2. ADJUSTMENTS (See Fig. 2-5 Adjustment Points on page 4)

2-1. Tape Speed Adjustment

- Notes: 1. Use Sansui Test Tape, SCT-S3K.
(3 kHz signals are recorded on the tape).
2. Connections are shown in Fig. 2-1.

Fig. 2-1



(1) Normal Speed Adjustment

STEP	SUBJECT	MEASURE OUTPUT	SETTING	ADJUSTMENT	ADJUST FOR	REMARKS
1	Normal Speed Adj.	LINE OUT. Frequency Counter	Playback the TEST TAPE SCT-S3K. B Side Mecha.	Turn the SFR3009 on the Main Board (See Fig. 2-5)	3090Hz — 2940Hz	

(2) High Speed Adjustment

- Notes: 1. Set the DUBBING switch ON
2. Set the NORMAL/HIGH switch HIGH

STEP	SUBJECT	MEASURE OUTPUT	SETTING	ADJUSTMENT	ADJUST FOR	REMARKS
1	High Speed Adj.	LINE OUT. Frequency Counter	1. Short between Test Point TP3010 and TP3011 (See Fig. 2-5) 2. Play Back the TEST TAPE SCT-3SK. A Side Mecha.	Turn the SFR3010 on the Main Board (See Fig. 2-5)	5562Hz — 5292Hz	

2-2. Playback Adjustment

- Notes: 1. Before this adjustment, clean REC/P.B. head surface.
2. For this adjustment, use Sansui Test Tape, SCT-F10K, and SCT-L400N.
3. Set the Dolby NR switch to OFF.
4. Connections are shown in Fig. 2-2.

Fig. 2-2

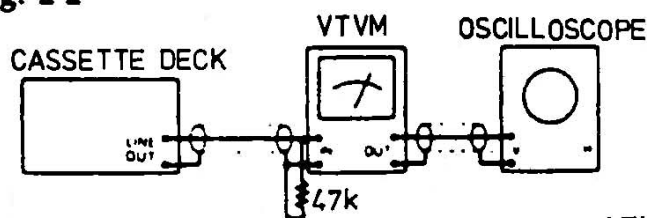
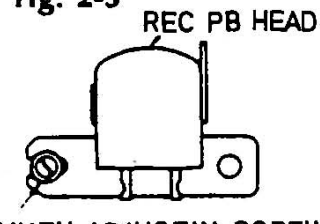


Fig. 2-3



(1) a-Side Mecha. Adjustment

STEP	SUBJECT	MEASURE OUTPUT	SETTING	ADJUSTMENT	ADJUST FOR	REMARKS
1	P.B. Head Adj.	LINE OUT VTVM and Scope	Playback the TEST TAPE SCT-F10K	Adjust the Azimuth Adjusting Screw in Fig. 2-3.	Max. Output Both Channels.	After This Adjustment, Lock the Screw with Paint.
2	Playback Level Adj.	Same as Above	Playback the TEST TAPE SCT-L400N	Adjust Each SFR3001(L) and SFR3002(R), Main Board	548mV ± 1dB	See Fig. 2-5.

(2) b-Side Mecha. Adjustment

STEP	SUBJECT	MEASURE OUTPUT	SETTING	ADJUSTMENT	ADJUST FOR	REMARKS
1	REC/P.B. Head Adj.	LINE OUT VTVM and Scope	Playback the TEST TAPE SCT-F10K	Adjust the Azimuth Adjusting screw in Fig. 2-3.	Max. Output Both Channels.	After This Adjustment, Lock the Screw with Paint.
2	Playback Level Adj.	Same as Above	Playback the TEST TAPE SCT-L400N	Adjust Each SFR3003(L) and SFR3004(R), Main Board.	548mV ± 1dB	See Fig. 2-5.

2-3. Bias Adjustment

- Notes: 1. For, this adjustment, use Sansui Test Tape, SCT-MA.
2. Set the Dolby NR switch OFF
3. REC LEVEL volume Max.
4. Connections are shown in Fig. 2-1.

STEP	SUBJECT	MEASURE OUTPUT	SETTING	ADJUSTMENT	ADJUST FOR	REMARKS
1	Bias Frequency Adj.	Between Point A of CN3004 and GND Frequency Counter.	1. Load the TEST TAPE SCT-MA 2. Push the REC and PLAY Button.	Turn the core of L3007 (Main Board)	140kHz ± 3kHz	See Fig. 2-5.

2-4. TRAP Coil Adjustment

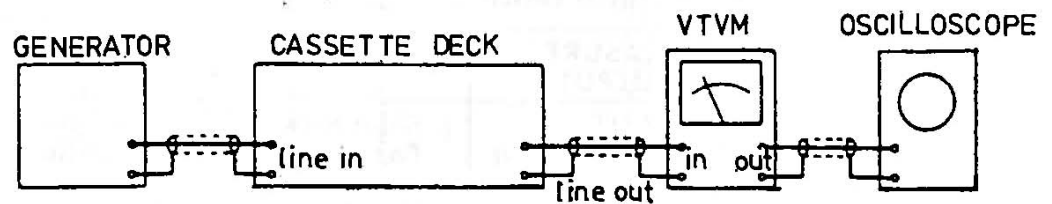
- Notes: 1. Connections are shown Fig. 2-2.
2. Use Sansui Test Tape SCT-SA.

STEP	SUBJECT	MEASURE OUTPUT	SETTING	ADJUSTMENT	ADJUST FOR	REMARKS
1	Trap Coil Adj.	Between Test Point TP3003 and TP3005 L-CH, Test Point TP3004 and TP3005 R-CH. Volt Meter and Scope.	1. Load the TEST TAPE SCT-SA. 2. Push the REC and PLAY Button.	Turn the Core of L3005 L-CH, L3006 R-CH. (Main Board)	Min. Output Both Channels.	See Fig. 2-5

2-5. Frequency Response Adjustment < b-Side Mecha. Only >

- Notes: 1. Connections are shown in Fig. 2-4.
2. Set the Dolby NR switch to be OFF.
3. Use Sansui Test Tape SCT-SA.

Fig. 2-4.



STEP	SUBJECT	INPUT SIGNAL	MEASURE OUTPUT	SETTING	ADJUSTMENT	REMARKS
1	Frequency Response Adj.	Feed 1 kHz 54mV and 10 kHz 54mV from S.G. into LINE IN	LINE OUT VTVM and Scope	Load the TEST TAPE SCT-SA. 1. Record the 1 kHz and 10 kHz Signals from S.G. 2. Playback the 1 kHz 10 kHz Signals Then Confirm 10 kHz Signal Level in Less Than 1 kHz Signal Level ± 2 dB on VTVM.	1. If Not, Adjust SFR3007(L) and SFR3008(R), Main Board Slightly Until the 10 kHz Signal Level in Less Than 1 kHz Signal Level ± 2 dB on VTVM.	See Fig. 2-5

2-6. Peak Level Meter Adjustment < a-Side Mecha. Only >

- Notes: 1. Set the REC LEVEL volume to be Max. position.
2. Use Sansui Test Tape SCT-L400.

STEP	SUBJECT	MEASURE OUTPUT	SETTING	ADJUSTMENT	ADJUST FOR	REMARKS
1	Peak Level Meter Adj.	Peak Level Meter	Playback the TEST TAPE SCT-L400	Adjust VR701 L-CH (Main Board)	Lighten the 3th LED (0dB) of Peak Level Meter.	See Fig. 2-5 TPR and TPG Shorted for L-CH.
2	Peak Level Meter Adj.	Peak Level Meter.	Playback the TEST TAPE SCT-L400	Adjust VR702 R-CH (Main Board)	L+R Lighten the 4th LED (+3dB).	See Fig. 2-5 TPL and TPG Shorter for R-CH.

2-7. Filter Adjustment < b-Side Mecha. Only >

- Notes: 1. Set the REC LEVEL volume to be Max. position.
2. Connections are shown in Fig. 2-4.

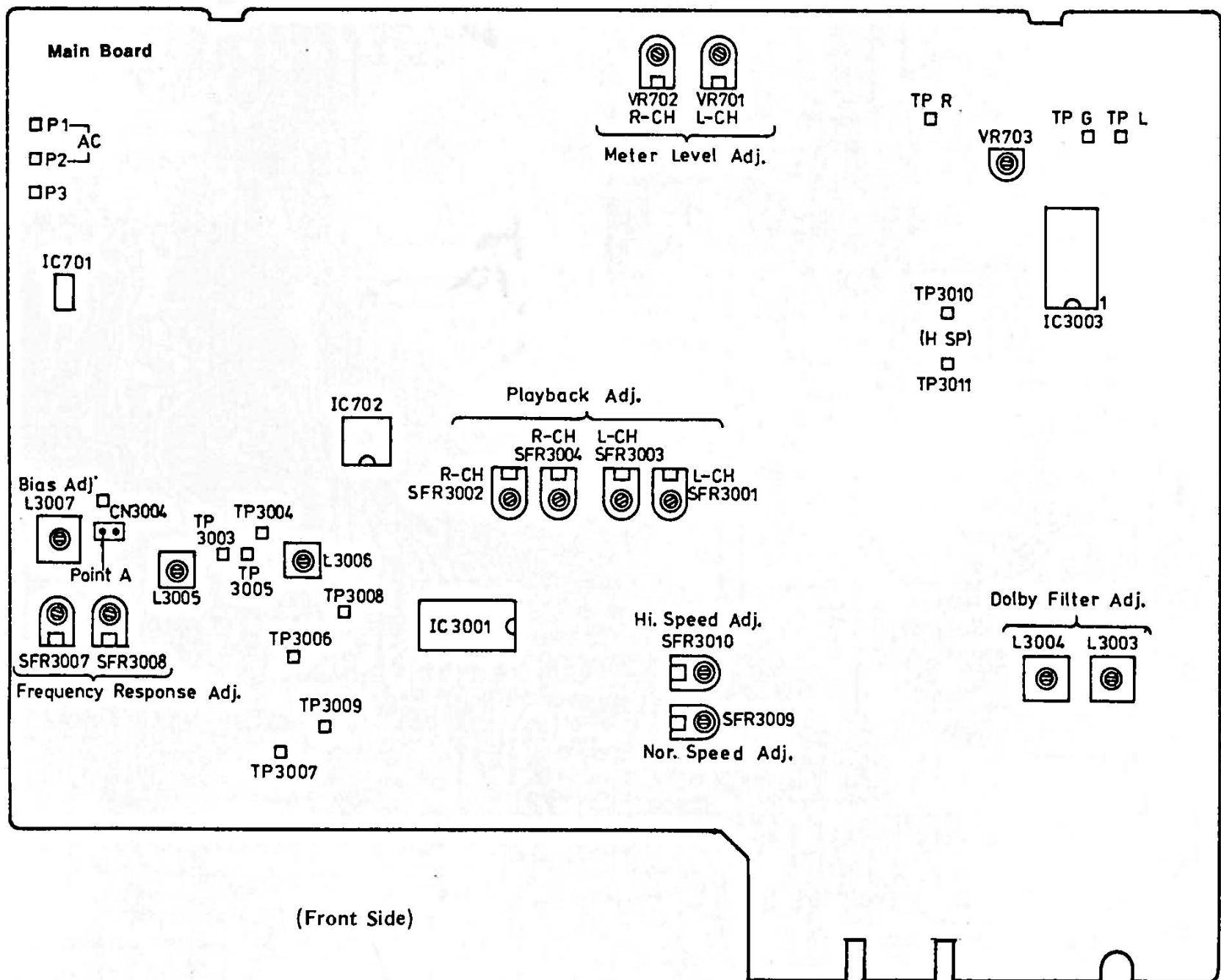
STEP	SUBJECT	INPUT SIGNAL	MEASURE OUTPUT	SETTING	ADJUSTMENT	REMARKS
1	19kHz Filter Adj.	Feed 19 kHz from Audio S.G. into LINE IN.	LINE OUT VTVM and Scope.	Push the REC and PLAY Button.	Turn the core of L3003 L-CH and L3004 R-CH. Min. Output Both Channels.	See Fig. 2-5

◆ List of Sansui Test Tape

Name of TEST TAPE	Recorded Frequency	Description	Equivalent To
SCT-F40	40 Hz	Playback Frequency Response Check	—
SCT-F1K	1 kHz	High Frequency Equalization Check	—
SCT-F10K	10 kHz	REC/PB Head Adjustment	—
SCT-L400N	400 Hz	Playback Level and Indicator Level Adjustment	—
SCT-S3K	3 kHz	Speed Check and Wow & Flutter Check	—
* SCT-AD (NORMAL)	—	Recording Bias Adjustment	TDK AD
* SCT-SA (HIGH)	—	REC/PB Level Adjustment	TDK SA
* SCT-MA (METAL)	—	Frequency Response Check	TDK MA

Note: Some reference tapes marked * are not supplied.
As these are equivalent to ones indicated above, please obtain these blank tapes on your side as possible.

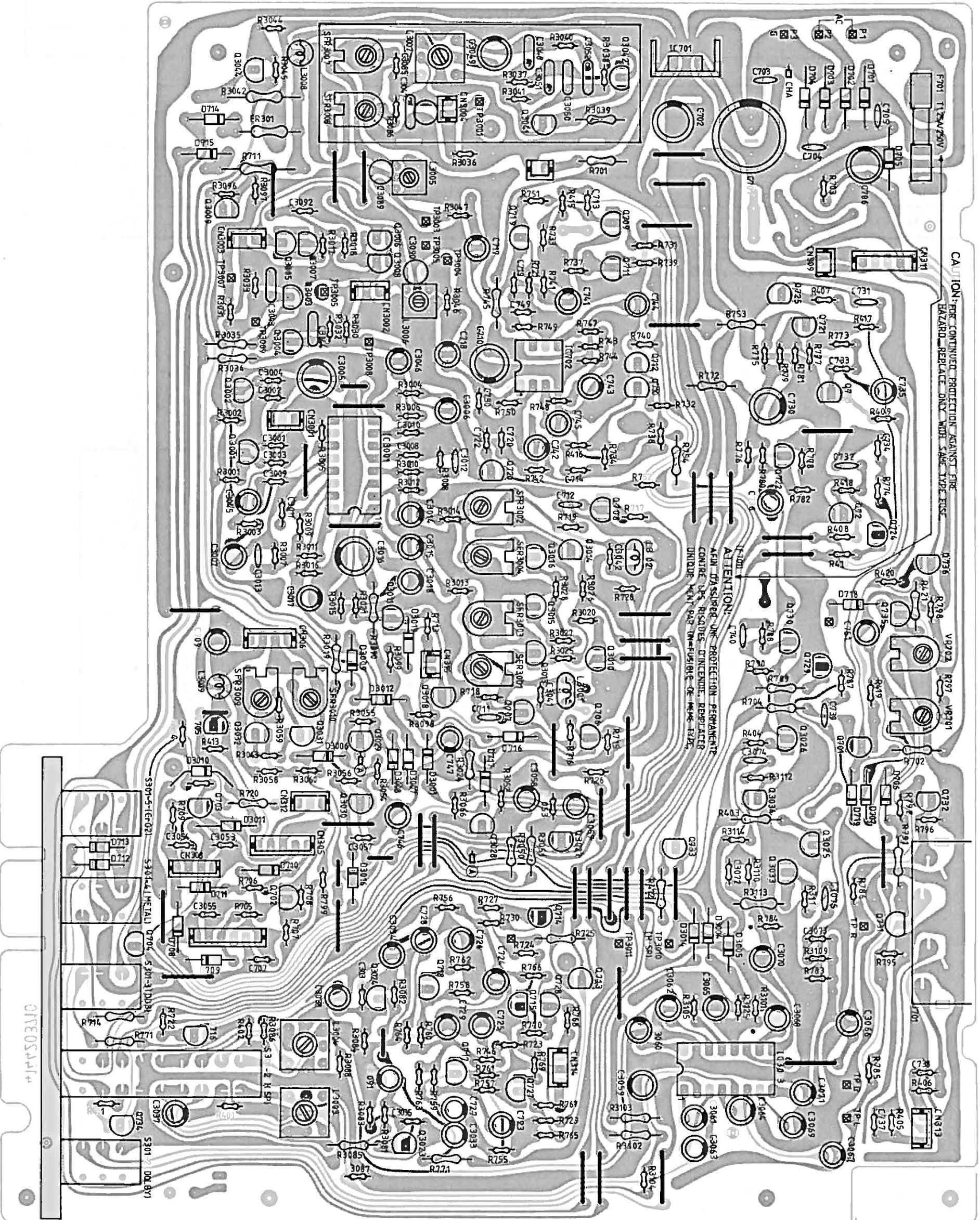
Fig. 2-5 Adjustment points on Main board



3. PARTS LOCATION ON BOARD

3-1. Main Board

Component Side



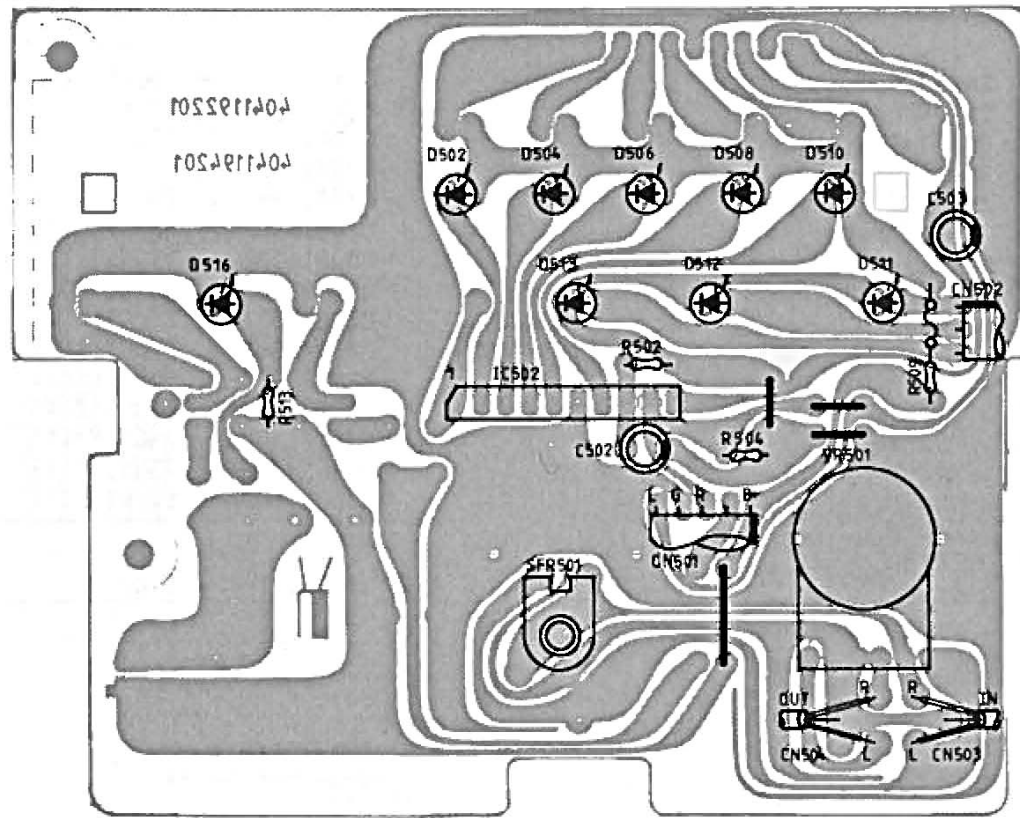
CAUTION: PER CONTINUED PROTECTION AGAINST FIRE HAZARD, REPLACE ONLY WITH SAME TYPE FUSE.

ATTENTION: AFIN D'ASSURER UNE PROTECTION PERMANENTE CONTRE LES RISQUES D'INCENDIE, REMPLACEZ UNIQUEMENT PAR UN FUSIBLE DE MÊME TYPE.

07E03A41+

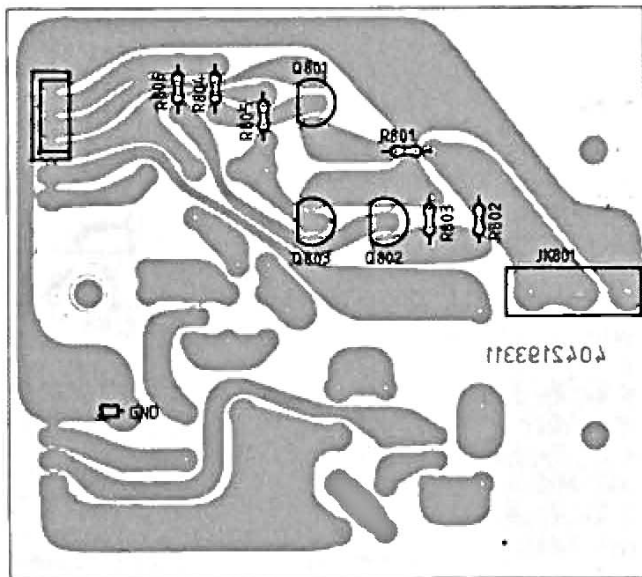
3-2. Level Control & Display Board

Component Side



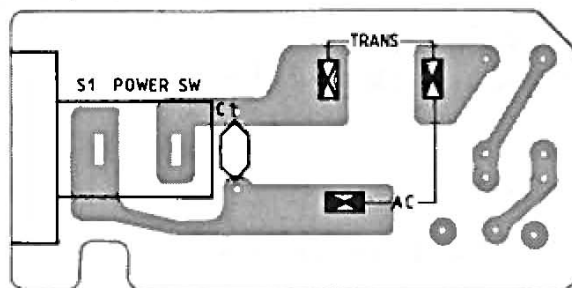
3-3. Remote Control Board

Component Side



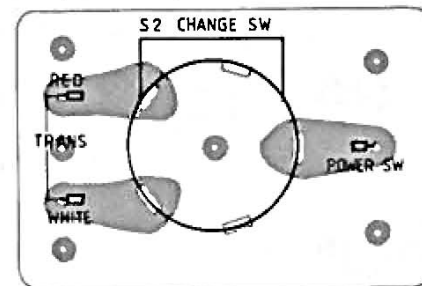
3-4. Power SW. Board

Component Side



3-5. Change SW. Board (SS,XX)

Component Side



4. PARTS LIST OF BOARD

4-1 Main Board (Part No. C144182411)

Ref. No.	Part No.	Description
• Transistors		
Q701	410020945P,Q	2SC945P,Q
Q703	410020945P,Q	2SC945P,Q
Q704	410000733P,Q	2SA733P,Q
Q705	410000952L	2SA952L
Q706-716	410020945P,Q	2SC945P,Q
Q717,718	410021842E,F	2SC1842E,F
Q719-732	410020945P,Q	2SC945P,Q
Q733	410000733P,Q	2SA733P,Q
Q734-736	410020945P,Q	2SC945P,Q
Q3001-3008	410020945P,Q	2SC945P,Q
Q3009	410000733P,Q	2SA733P,Q
Q3010,3011	410020945P,Q	2SC945P,Q
Q3013-3016	410020945P,Q	2SC945P,Q
Q3018	410020945P,Q	2SC945P,Q
Q3025-3028	410020945P,Q	2SC945P,Q
Q3029-3031	410020945P,Q	2SC945P,Q
Q3032-3034	410020945P,Q	2SC945P,Q
Q3041,3042	410022001L	2SC2001L
• Integrated circuits		
△ IC701	415907812C or 4157078123	L7812CV MC7812CT
△ IC702	415904558A	NJM4558DA
IC3001	415307784P	TA7784P
IC3002	415C011010	CXA1101
• Diodes		
D3001	4120141480	1N4148
D3004-3014	4120141480	1N4148
D3016	4120141480	1N4148
D3019	4120141480	1N4148
△ D701-705	4138104002	1N4002
D706-709	4120141480	1N4148
D712-717	4120141480	1N4148
D719	4120141480	1N4148
L3001,3002	4329210311	Inductance 10mH "K"
L3003,3004	4160400051	Dolby MPX filter TWS-358-356
L3005,3006	4360900520	Bias trap coil TWS-358-533
L3007	4330801710	Bias oscillator coil TWS-358-654
L3008,3009	4328247186	Motor choke 470uH "K"
sFR3001,3002	5221085409	50k ohm S. V. R., Play Level Adj.
sFR3003,3004	5221082436	20k ohm S. V. R., Play Level Adj.
sFR3007,3008	5221085409	50k ohm S. V. R., Play Level Adj.
sFR3009,3010	5221081495	10k ohm S. V. R., Motor Speed Adj.
sW301	4430500563	Push SW. SPUN53A 203-CP
J701	4500800242	4P RCA jack
△ fR301	4180215057	15 ohm, 1/2W, F. R.

Ref. No.	Part No.	Description
C707	7308622345	.022uF/25C C. C.
C713,714	7307822215	.0022uF/50V C. C.
C719,720	7306568115	680pF/50V C. C.
C721,722	7306533115	330pF/50V C. C.
C733,734	7306568115	680pF/50V C. C.
C737,738	7306522115	220pF/50V C. C.
C749,750	7306915015	150pF/50V C. C.
C3001,3002	7306539115	390pF/50V C. C.
C3003,3004	7306956055	56pF/50V C. C.
C3008-3011	7306568115	680pF/50V C. C.
C3041,3042	7306512115	120pF/50V C. C.
C3047	5091562521	.0056uF/200V P. C.
C3053-3055	7308622345	.022uF/25V C. C.
C3072,3073	7306582115	820pF/50V C. C.
C3085,3086	7306522115	220pF/50c C. C.
C3089,3090	5114101511	100pF/50V C. C.

4-2. Power SW. Board

Ref. No.	Part No.	Description
△ S1	4430102450	Power SW. SDDL1017U-CP
△ C1	5106472141	.0047uF/400V Spark "L"

4-3. Level Control & Display Board (Part No. C041119420)

Ref. No.	Part No.	Description
• Integrated Circuit		
IC502	4159061240	BA6124
• LED		
D502	4120638134	SEL3813A Level Meter
D506	4120638134	SEL3813A Level Meter
D508	412063213C	SEL3213C Level Meter
D510	412063213C	SEL3213C Level Meter
D511	412063213C	SEL3213C Dubbing
D512	4120638134	SEL3813A Pause
D513	412063213C	SEL3213C REC
D516	4120638134	SEL3813A Power Ind.
sFR501	5221081510	100K ohm S. F. R., REC Level Balance

4-4. Remote Control (Part No. C042193310)

Ref. No.	Part No.	Description
• Transistors		
Q801-803	410020945P,Q	2SC945P,Q
jK801	4500100240	Phono Jack 3.5φ CPT-35025

4-5. Change SW. Board (XX, SS)

Ref. No.	Part No.	Description
△ S2	4420131260	Change SW. HXW0131-01-960

to be continued

5. MAIN PARTS REPLACEMENT (See Exploded of Cabinet on Page 10)

5-1. Mechanism assembly

- (1) Remove 6 screws (M48) to remove the Top cover (M47).
- (2) Remove 5 screws (M34a) and remove the Front panel assembly from the Bottom chassis (M38).
- (3) Remove 2 screws (M13a) and remove the Power SW. PCB assembly
- (4) Remove the VR knob (M11) and nut.
- (5) Remove 3 screw (M13b) and remove the Level control & Display PCB assembly (M27).
- (6) Remove the counter belt (M16).
- (7) Press the Stop/Eject button (M23) to open the L and R Cassette doors.
- (8) Remove 6 screws (M13c) and remove the Mechanism assembly.

5-2. Cassette door L and R.

- (1) Remove the Mechanism assembly (M25) (Refer to the Mechanism assembly Replacement on the left).
- (2) Remove 4 screws (M13d) and remove the gear damper (M18).
- (3) Remove the Eject spring (M3).
- (4) Remove the Cassette door L (M1) and R (M2) from the Front panel assembly.

6. PARTS LIST OF CABINET & MECHANISM

6-1. Cabinet

Ref. No.	Part No.	Description
001	0001079035	Front escutcheon assembly
M1	JS85015700	Cassette door (L)
M2	JS85015800	Cassette door (R)
M3	2007079902	Eject spring
M7	JS27833300	Logo badge (SANSUI 1/2)
M8	1017079902	Mirror
M9	JS85007200	Display window
M10	JS85013300	Power knob
M11	JS85003000	Record VR knob
M12	-----	Power switch PCB assembly
M15	5390000094	Counter T3SA100-115-794
M16	2024075907	Counter 38o x 0.8 x 0.8
M18	2000001065	Gear damper
M19	IS85005500	Cassette button-Record
M20	JS85005400	Cassette button-Play
M20	JS85006100	Cassette Button-Play (A)
M21	JS85005900	Cassette button-Rewind
M22	JS85005800	Cassette button-F. F.
M23	JS85005600	Cassette button-Stop/Eject
M24	JS85005700	Cassette button-Pause
M25	-----	Cassette Mechanism Assembly
M27	C041119420	Lever control display PCB assembly
M28	JS85006200	Selector knob
M32	C144182411	Main PCB assembly
M36	C042193310	Remote control PCB assembly
M42	JS85014900	Foot
M43	JS27593800	Foot sheet
M47	1020079902	Top cover
M49	4580200006	Cord stopper SR-4N-6
△ M50	4631312070	AC cord BLK SPT2 (UL/CSA)
△	4632212075	AC cord VDE7.5F BLK2 (EU, SEV)
△	4603302080	AC cord BS 8F BLK (UK)
△	4630212070	AC cord 6.5F BLK (XX)
△	4630212065	AC cord 6.5F BLK (SS)
M51	-----	Change SW PCB assembly (SS, XX)
M52	2000000150	P-rivet 3 x 6.5
△ T1	4209482241	Power transformer EI-48 (UL/CSA)
△	4209485282	Power transformer EI-48 (UK)
△	4209486240	Power transformer EI-48 (EU, SEV)
△	4209481227	Power transformer EI-48 (SS, XX)
△ S1	4430102450	Push SW, power
△ S2	4420132160	Change SW, HXW0131-01-960 (SS, XX)
△ F701	5266125020	Fuse UL/CSA T1.25A/125V (UL/CSA, XX)
△	5267125060	Fuse SEMK T1.25A/250V (EU, SEV, SS)
△	5267125062	Fuse BS T1.25A/250V (UK)

6-2. Mechanism

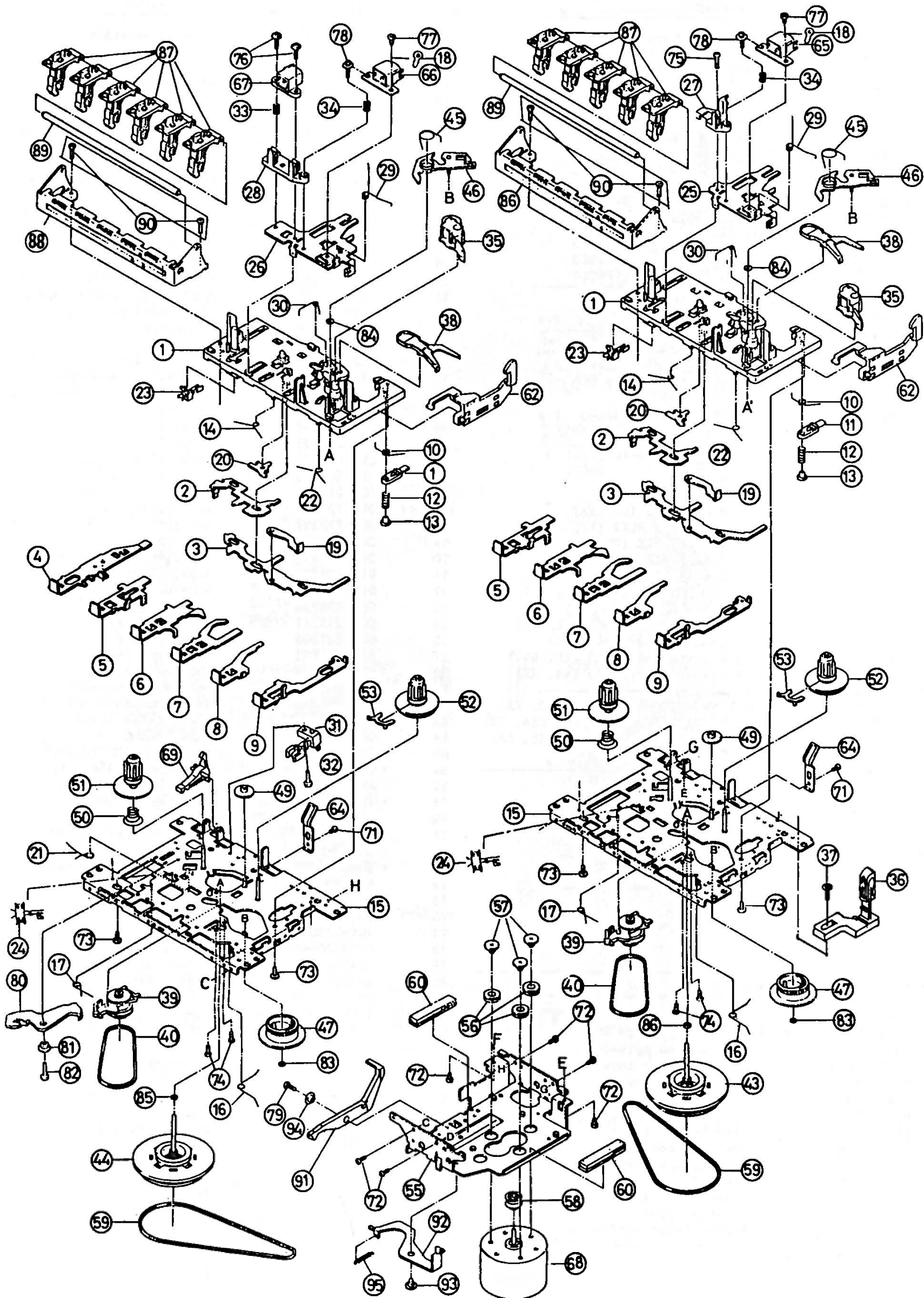
Ref. No.	Part No.	Description
1	0192114301	Base assembly
2	0019211409	Switch actuator
3	0019211408	Push button actuator
4	0019211422	Record button lever
5	0019211423	Play button lever
6	0019211424	Rewind Button lever
7	0019211425	F. F. button lever
8	0019211426	Stop button lever
9	0019211461	Pause button lever
10	019211413A	P control spring
11	0019211455	Pause lever
12	0019211412	Pause lever spring
13	0019211411	Pause stopper
14	0019211414	Button lever spring (A)

Part List (Mechanism)

Ref. No.	Part No.	Description
15	0192101501	Chassis assembly
16	0019211416	E actuator spring
17	0019211417	P.S. lever spring
18	0094800000	B3 lug plate 2.0
19	0182101159	P kick lever
20	0019211420	PR stopper
21	0019211421	Record button lever spring
22	0019211415	Button lever spring (B)
23	4400000101	Leaf switch MSW-1541T
24	4400000138	Leaf switch LSA-1115RK1
25	0019210301	Head panel
26	0019210302	Head panel
27	019210304A	Head base
28	0019210306	Head base
29	0019210303	Panel P spring
30	0019211418	M control spring
31	0064010162	Leaf switch MSW-1275ASNK
32	3049032005	Tapping screw M2x5
33	0018210308	EH spring
34	0018210307	Azimuth spring
35	0192104301	Pinch roller arm assembly
36	4400000090	CrO2 switch MSW-1664
37	8641200500	6 (Taptite-S) BID2005 ZN3A
38	0019212604	Sensing lever
39	0192107302	RF clutch assembly
40	0019210703	RF belt (square)
43	0192109304	Flywheel assembly
44	0192109303	Flywheel assembly
45	0019212605	Gear plate spring
46	0192126501	Gear plate assembly
47	0019212602	Cam gear
49	0018211070	F. F. gear
50	0018291010	Back tension spring
51	0192105306	Supply reel assembly
52	0192105305	Take up reel assembly
53	0019210506	Senser
55	0019211211	Motor Bracket
56	0018201306	Motor rubber
57	0018211202	Motor collar screw
58	0019211213	Motor pulley
59	0019210924	Main belt (square)
60	0019211212	Anti vibration felt mat
62	0019211302	Eject slide lever
64	0018291001	Pack spring
65	4030420188	Play head (MS15R-AA2N1)
66	4030420188	R/P head (MS15R-AA2N1)
67	4030320199	Erase head (LE15A-C1)
68	4020100179	Motor (SHU-2Loo)
69	0018211069	Record safety lever
71	3049042003	C Tapping screw M2x3
72	3049042004	C Tapping screw M2x4
73	3049052005	P Tapping screw M2x5
74	3049032045	Tapping screw (for camera) M2x4.5
75	3019002006	Screw M2x6
76	3019082075	+ - cap screw M2x7.5
77	3019272003	+ Bind screw M2x3
78	0099220000	Azimuth screw M2x7
79	3049042006	C Tapping screw M2x6
80	0019210201	Record arm
81	0019211437	P arm collar
82	3049032004	Tapping screw M2x4
83	3029123803	P washer CUT 1.2x3.8x0.3
84	3029143805	P washer CUT 1.45x8.8x0.5
85	3029203503	P washer 2x3.5x0.3
86	0182131305	Button frame assembly
87	0018213107	Operation lever
88	0018213106	Button frame assembly
89	0018293103	button lever shaft
90	8931200800	9 (Taptite-B) FLT2008 ZN3A
91	0019211209	P kick lever (B)
92	0018211268	P kick lever (A)
93	0018211223	PK collar screw (A)
94	0018211265	Coller (B)
95	0018211225	P kick lever spring

to be continued

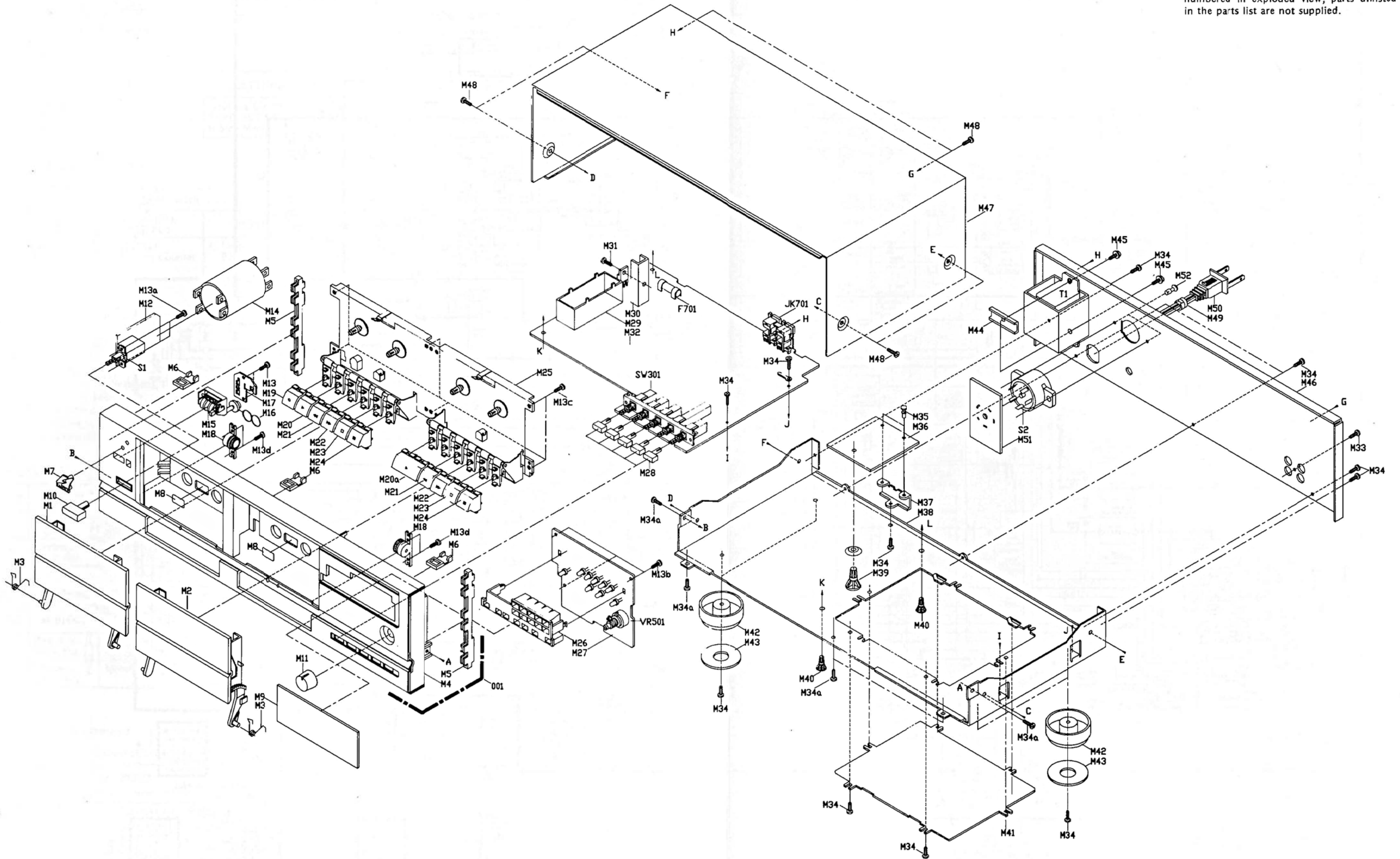
7-2. Mechanism Exploded



7. EXPLODED VIEW OF CABINET & MECHANISM

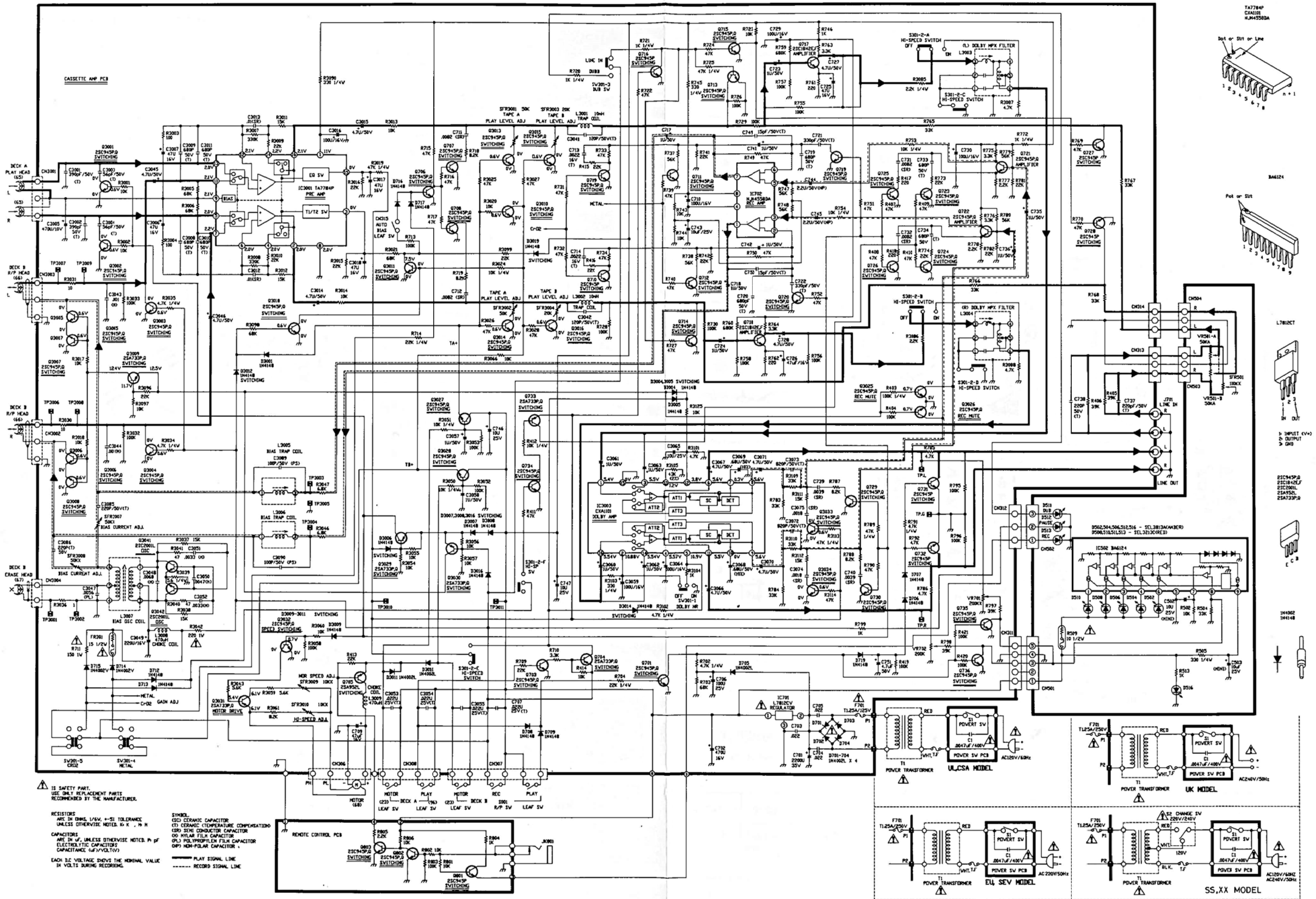
7-1. Cabinet Exploded View

• Though every part included in Cabinet is numbered in exploded view, parts unlisted in the parts list are not supplied.



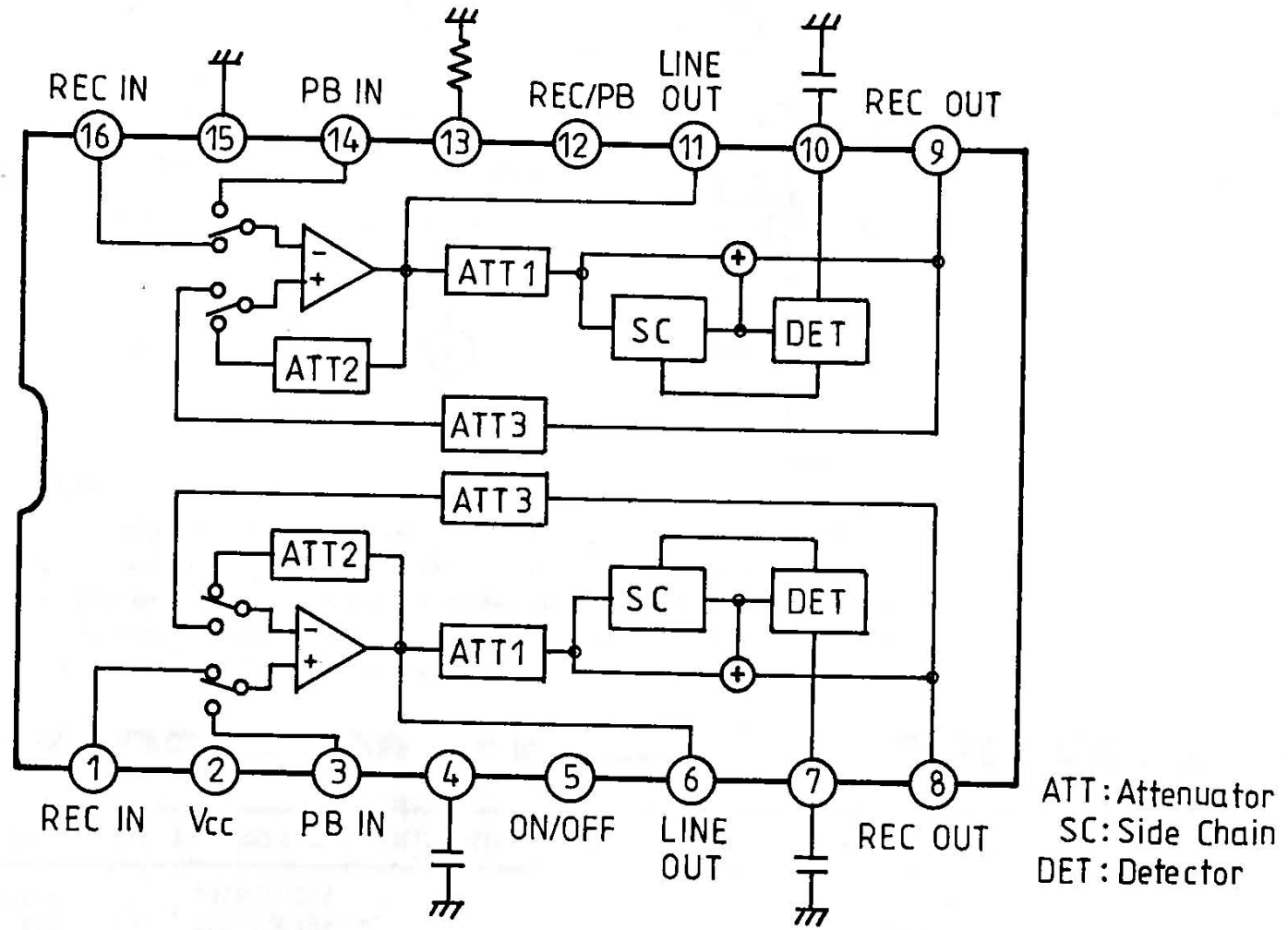
8. SCHEMATIC DIAGRAM

- Design and specifications subject to change without notice for improvement.
- La présentation et les spécifications sont susceptibles d'être modifiées sans préavis par suites d'améliorations éventuelles.
- Änderungen, die dem technischen Fortschritt dienen, bleiben vorbehalten.

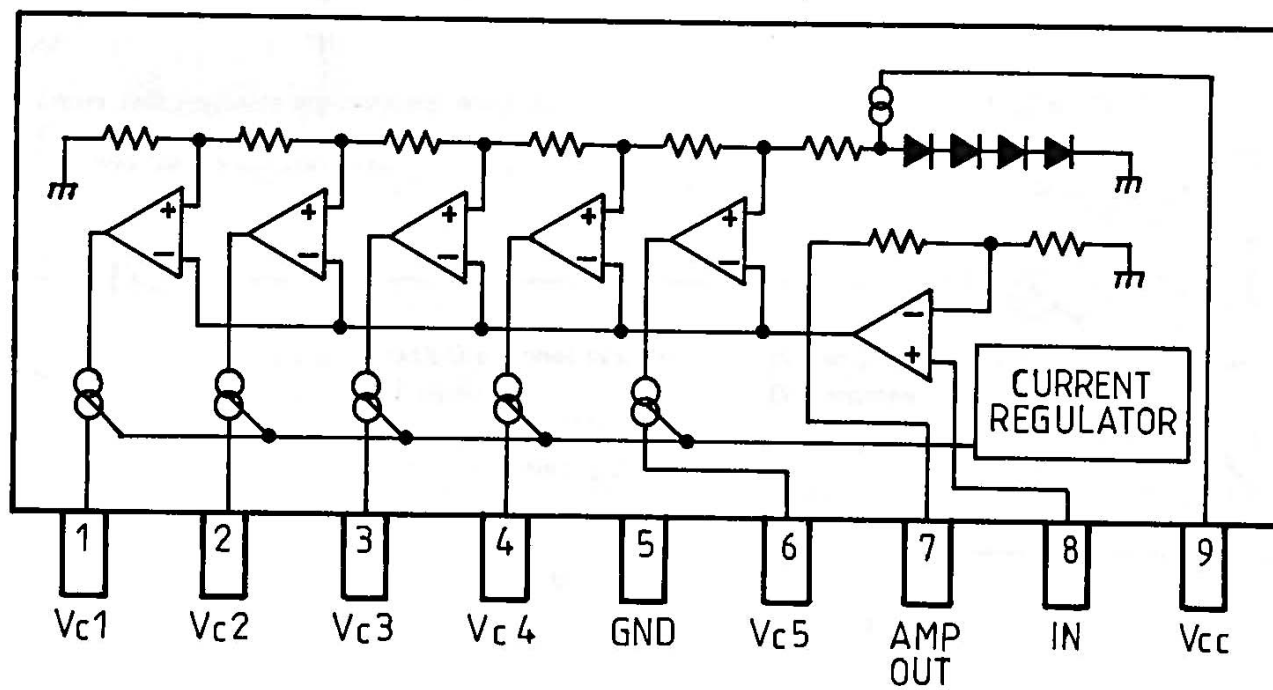


9. INTERIOR BLOCK DIAGRAM OF IC

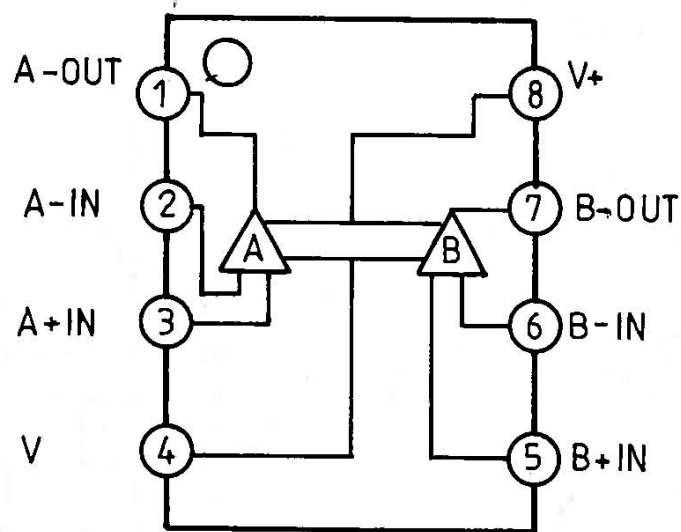
● CXA1101 <Dolby Noise Reduction>



● BA6124 <LED Drive>



● NJM4558DA < OP AMP >

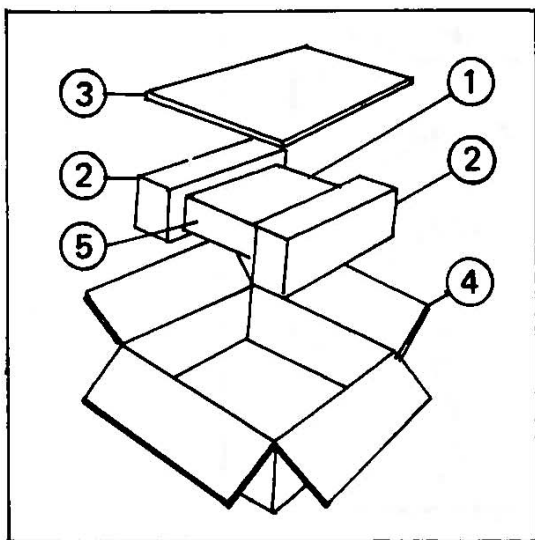


10. PACKING LIST

Ref. No.	Part No.	Description
1	9906004546	Poly bag
2	9001079902	Snow box
3	9006079902	Carton plate
4	9001079035	Gift box
5	9004079902	Soft sheet

11. ACCESSORY LIST

Ref. No.	Part No.	Description
	5620709501	Patch coard (GRY-950)
	5620060042	3.5φ Pulg cable BLK-600
	9080017140	Instruction book



SANSUI ELECTRIC CO., LTD.:

SANSUI USA INC.:

SANSUI DEUTSCHLAND G.M.B.H.:

山水電気株式会社

New River Bldg. 10-14, Shinkawa 1-chome, Chuo-ku, Tokyo 104, Japan

PHONE: (03) 5566-1024 / FAX: 03-5566-1027 (International Division)

1250 Valley Brook Ave. Lyndhurst, N.J. 07071 U.S.A.

17150 South Margay Ave. Carson, California 90746 U.S.A.

Paul-Ehrlich-Strasse 8, 8074 Rödermark 2, West Germany

東京都中央区新川1-10-14 (〒104)