

SERVICE MANUAL

SUPPLEMENT EDITION

STEREO CASSETTE DECK

SANSUI D-370

NOTE: This edition is supplement for D-370/570 service manual previously issued, and only description of improved section is inserted.

Therefore, please refer to original service manual when description of original section is needed.

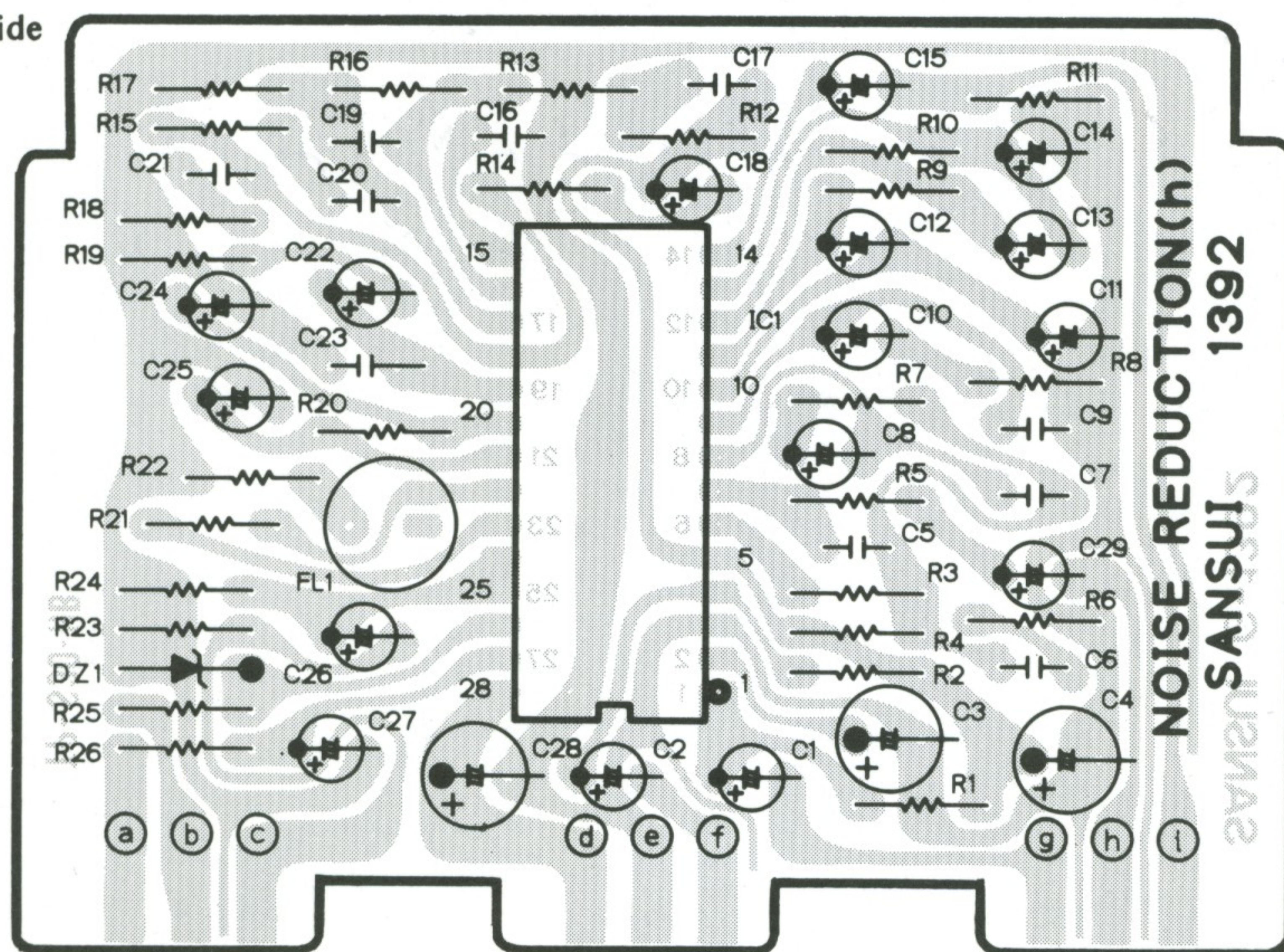
<This edition applies all D-370 with serial No. after 222030001>

1. PARTS LOCATION & PARTS LIST

1-1. G-1392 Noise Reduction Circuit Board (Stock No. 00688601)

•Since some of capacitors and resistors are omitted from parts lists in this Service Manual, refer to the Common Parts List for capacitors & resistors, which was appended previously to Sansui Manual.

Component Side

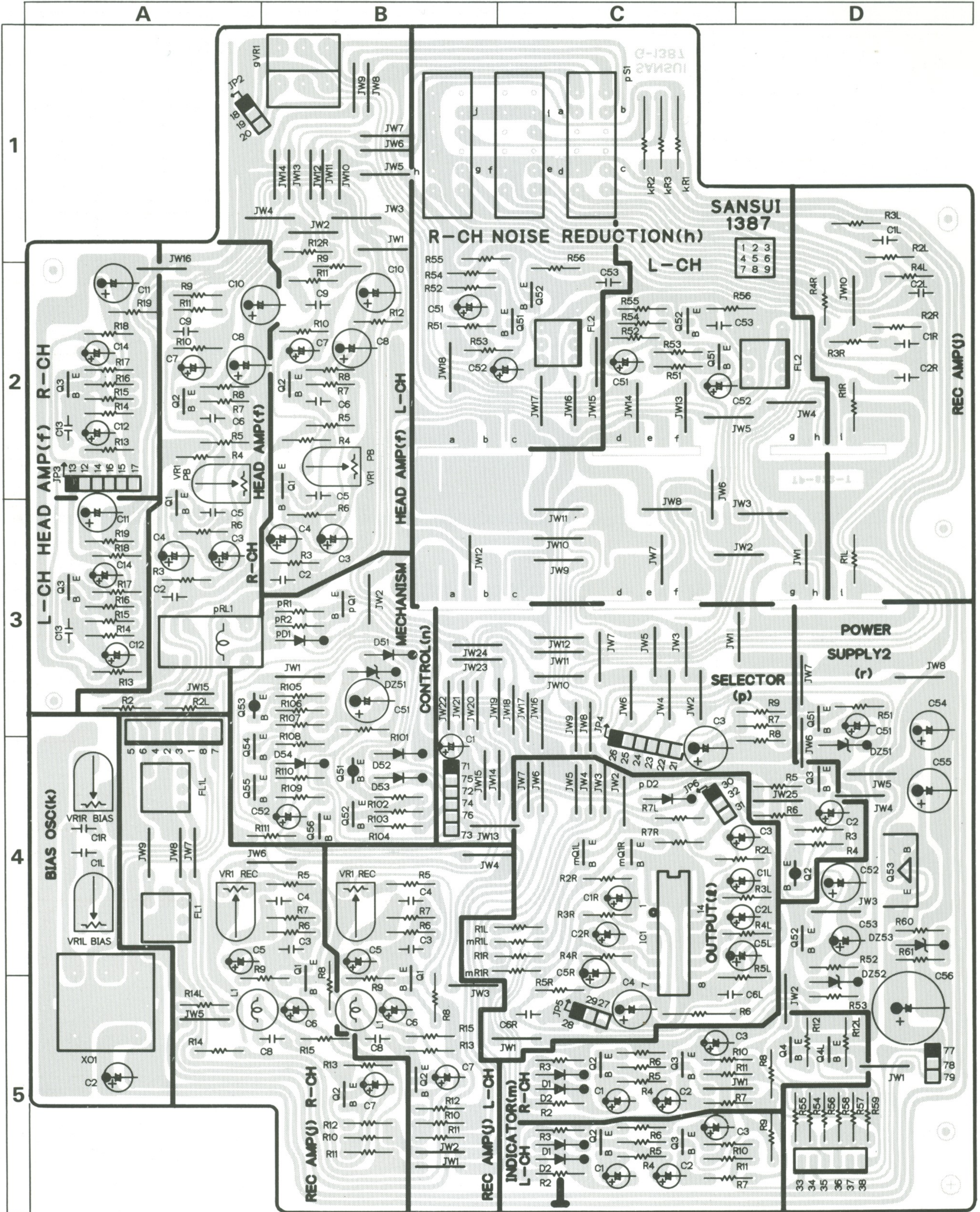


Parts List

Parts No.	Stock No.	Description	Parts No.	Stock No.	Description
•IC			hC9	07216100	18000pF 25V C.C.
hIC1	46212500	HA12038	hC17	07215500	5600pF 25V C.C.
hC2	46034600	1 μ F 50V E.L.	hC19	07211700	1000pF 25V C.C.
hC5	07216000	15000pF 25V C.C.	hC20	07215200	3300pF 25V C.C.
hC6	07216000	15000pF 25V C.C.	hC21	07215300	3900pF 25V C.C.
hC7	07215800	10000pF 25V C.C.	hFL1	46177600	19.8kHz, Band Filter

1-2. G-1387 REC & PLAY Amp. Circuit Board (Stock No. 00688101)

Component Side



Parts List

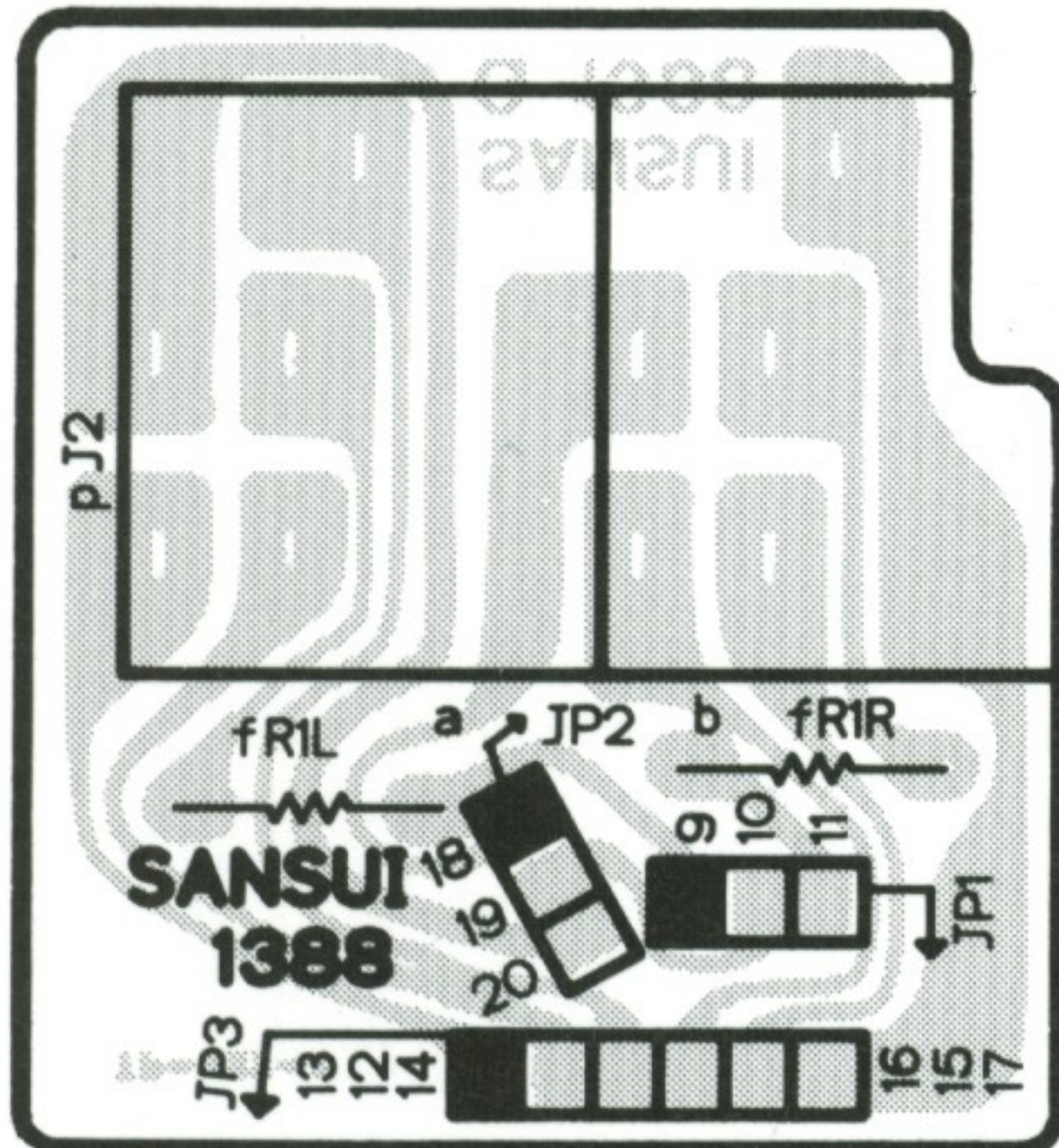
Parts No.	Stock No.	Description
•Transistor		
fQ1	07225401	2SC2320L
fQ2	07225400	2SC2320L
fQ3	07225400	2SC2320L
fC3	08301100	10 μ F 35V E.C.
fC9	07215400	4700pF 25V C.C.
fVR1	10370400	1k Ω S.V.R., PLAY Level Adj.
gVR1	46177000	50k Ω (A), REC Level Volume
•Transistor		
hQ51	07225401	2SC2320L
hQ52	03068301 or 07299701	2SC2320 2SC2603
hC53	07215100	2700pF 25V C.C.
hFL2	46177500	Dolby Filter
•Transistor		
jQ1	03068301 or 07299701	2SC2320 2SC2603
jQ2	03068301 or 07299701	2SC2320 2SC2603
jC1	07215800	10000pF 25V C.C.
jC2	07215600	6800pF 25V C.C.
jC3	07215200	3300pF 25V C.C.
jC4	07211700	1000pF 25V C.C.
jC8	07216500	39000pF 25V C.C.
jFL1	07237900	Filter
jL1	46313800	Inductor
jVR1	10370800	20k Ω (B), S.V.R., REC Level Adj.
kR3	46228200	22 Ω 1/2W N.I.R.
kXO1	46177400	Bias OSC Block
kVR1	10371000	100k Ω (B) S.V.R., Bias Adj.
•IC		
IIC1	07224500	LA4170
IR6	00182200	330 Ω 1W N.I.R.
IC6	07215800	10000pF 25V C.C.
•Transistor		
mQ1	03068301 or 07299701	2SC2320 2SC2603
mQ2	03068301 or 07299701	2SC2320 2SC2603
mQ3	03068301 or 07299701	2SC2320 2SC2603
mQ4	03068301 or 07299701	2SC2320 2SC2603
•Diode		
mD1	03117600 or 46092700 or 46086000	1S2473 US1035TB 1S1588
mD2	03117600 or 46092700 or 46086000	1S2473 US1035 1S1588

Parts No.	Stock No.	Description
•Transistor		
nQ51	03012701	2SA999
	or 07299601	2SA1115
nQ52	03068301	2SC2320
	or 07299701	2SC2603
nQ53	03012701	2SA999
	or 07299601	2SA1115
nQ54	03068301	2SC2320
	or 07299701	2SC2603
nQ55	03068301	2SC2320
	or 07299701	2SC2603
nQ56	03068301	2SC2320
	or 07299701	2SC2603
•Diode		
nD51	03117600 or 46092700 or 46086000	1S2473 US1035 1S1588
nD52	03117600 or 46092700 or 46086000	1S2473 US1035 1S1588
nD53	03117600 or 46092700 or 46086000	1S2473 US1035 1S1588
nD54	03117600 or 46092700 or 46086000	1S2473 US1035 1S1588
•Zener Diode		
nDZ51	46111500	05Z5.6-Y
•Transistor		
pQ1	03068301 or 07299701	2SC2320 2SC2603
pQ2	03012701 or 07299601	2SA999 2SA1115
pQ3	03068301 or 07299701	2SC2320 2SC2603
•Diode		
pD1	03117600 or 46092700 or 46086000	1S2473 US1035 1S1588
pD2	03117600 or 46092700 or 46086000	1S2473 US1035 1S1588
pS1	46178000	Push SW, Equalizer
pRL1	11506200	Relay
•Transistor		
rQ51	03085201	2SD438
rQ52	03085201	2SD438
rQ53	03086101	2SD357
•Zener Diode		
rDZ51	46114200	05Z13
rDZ52	46115400	05Z20-Y
rDZ53	46116000	05Z24-Y

•Note: The circuit board, G-1388, G-1389, G-1390 & G-1391 are not supplied as the assembled. However, the individual parts on the circuit board are provided by orders.

1-3. G-1388 MIC Jack Circuit Board

Component Side

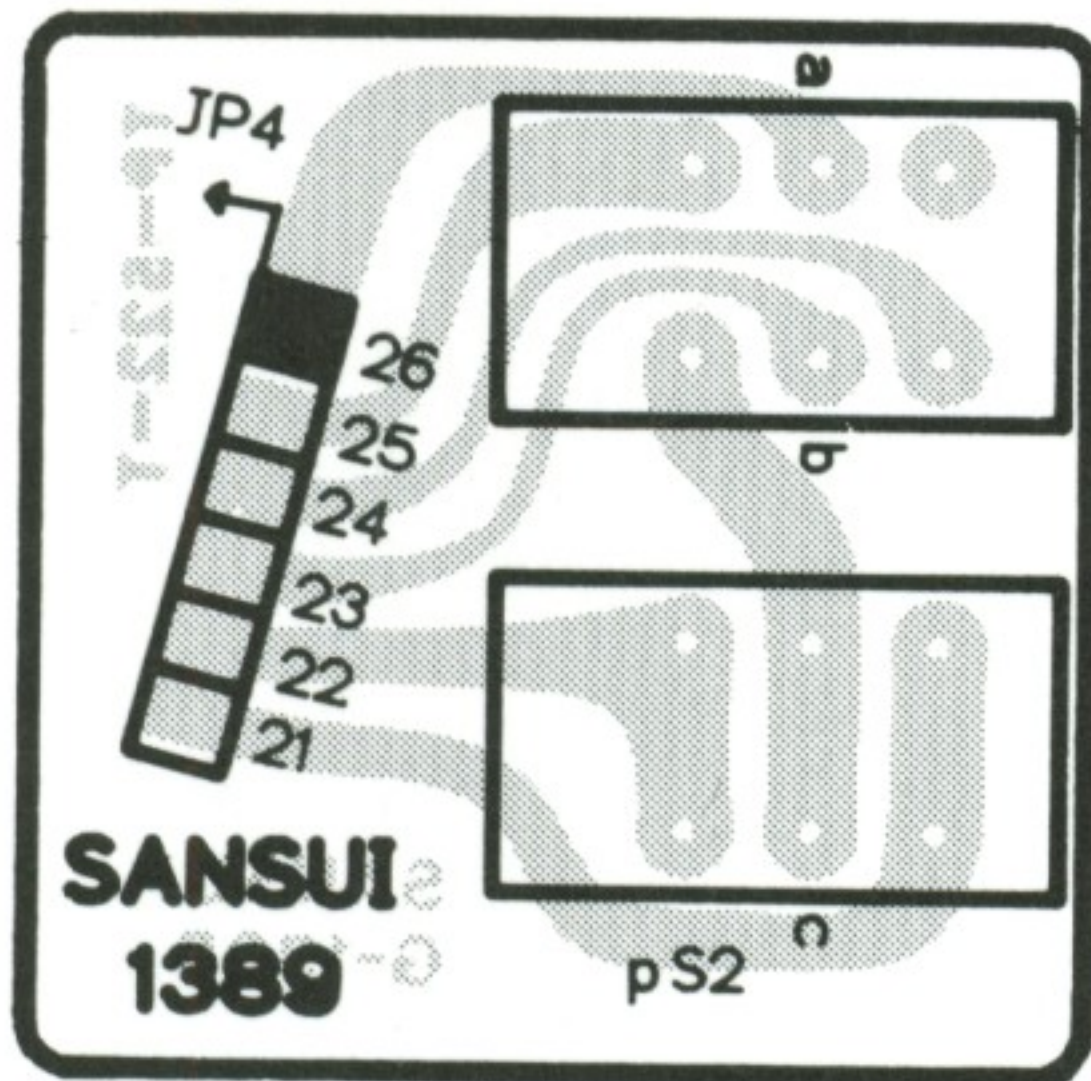


Parts List

Parts No.	Stock No.	Description
pJ2	46212000	MIC Jack

1-4. G-1389 Dolby Switch Circuit Board

Component Side

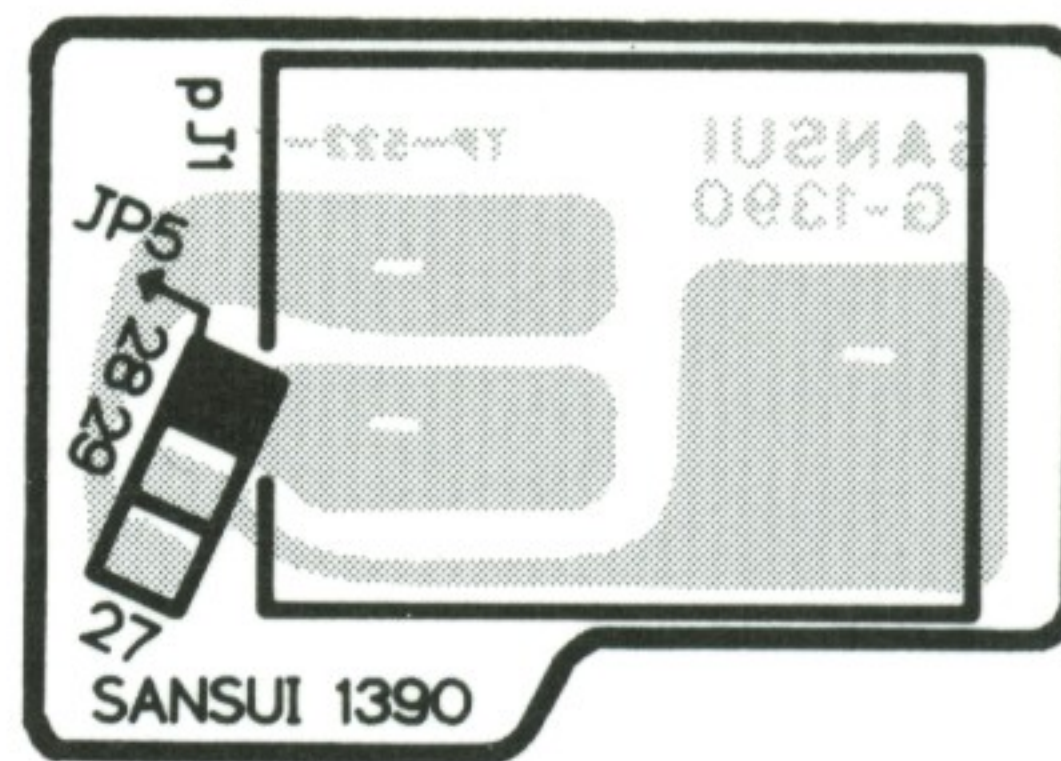


Parts List

Parts No.	Stock No.	Description
pS2	46260401	Dolby SW

1-5. G-1390 Phone Jack Circuit Board

Component Side

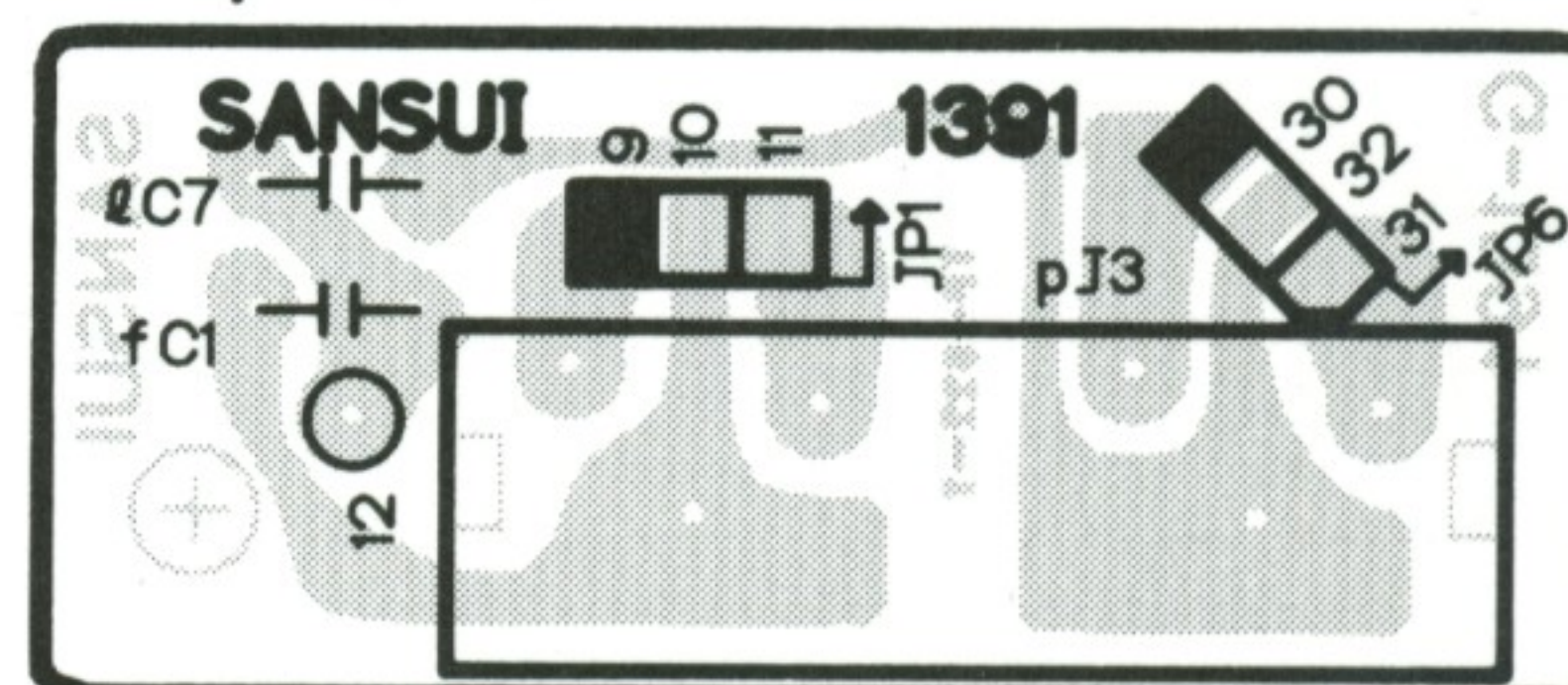


Parts List

Parts No.	Stock No.	Description
pJ1	46265700	Phone Jack

1-6. G-1391 LINE IN Circuit Board

Component Side



Parts List

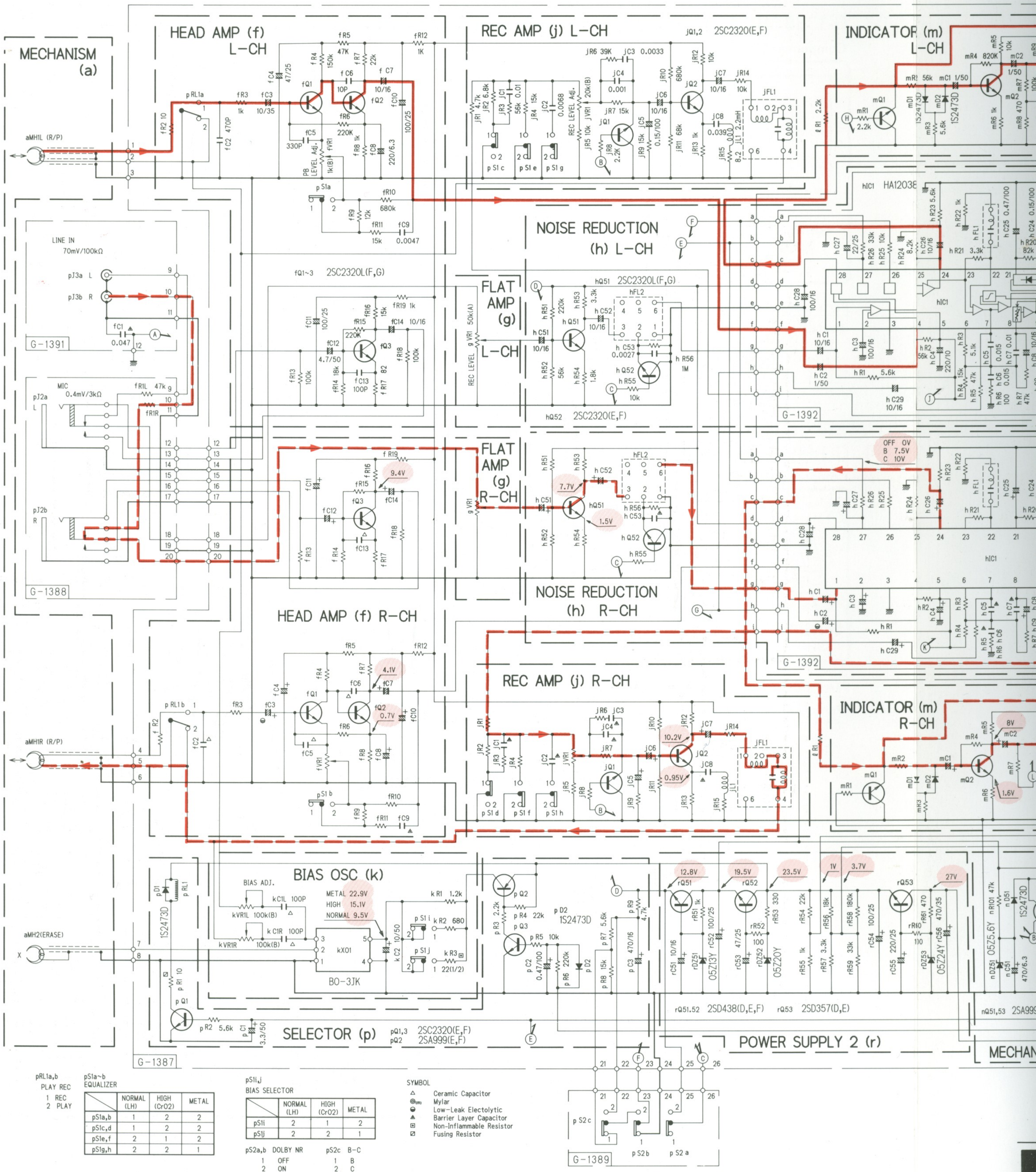
Parts No.	Stock No.	Description
fC1	07216600	47000pF 25V C.C.
IC7	07216600	47000pF 25V C.C.
pJ3	07249100	4P Terminal Board

• Abbreviations

C.R. : Carbon Resistor
 S.R. : Solid Resistor
 Ce.R. : Cement Resistor
 M.R. : Metal Film Resistor
 F.R. : Fusing Resistor
 N.I.R. : Non-Inflammable Resistor
 C.C. : Ceramic Capacitor
 C.T. : Ceramic Capacitor, Temperature Compensation
 E.C. : Electrolytic Capacitor
 E.L. : Low Leak Electrolytic Capacitor

E.B. : Bi-Polar Electrolytic Capacitor
 E.BL. : Low Leak Bi-Polar Electrolytic Capacitor
 Ta.C. : Tantalum Capacitor
 F.C. : Film Capacitor
 M.P. : Metalized Paper Capacitor
 P.C. : Polystyrene Capacitor
 G.C. : Gimmic Capacitor
 V.R. : Variable Resistor
 S.V.R. : Semi Variable Resistor
 SW. : Switch

2. SCHEMATIC DIAGRAM <Amp. Section>



pRL1a,b
PLAY REC
1 REC
2 PLAY

pS1a~b
EQUALIZER

	NORMAL (LH)	HIGH (CrO2)	METAL
pS1a,b	1	2	2
pS1c,d	1	2	2
pS1e,f	2	1	2
pS1g,h	2	2	1

pS1i,j
BIAS SELECTOR

	NORMAL (LH)	HIGH (CrO2)	METAL
pS1i	2	1	2
pS1j	2	2	1

pS2c
DOLBY NR
1 OFF
2 ON

pS2b B-C
1 B
2 C

SYMBOL

- △ Ceramic Capacitor
- ⊖ Mylar
- ⊖ Low-Leak Electrolytic
- ⊖ Barrier Layer Capacitor
- ⊖ Non-Inflammable Resistor
- ⊖ Fusing Resistor

— PLAY Signal Line
- - - REC Signal Line

1

2

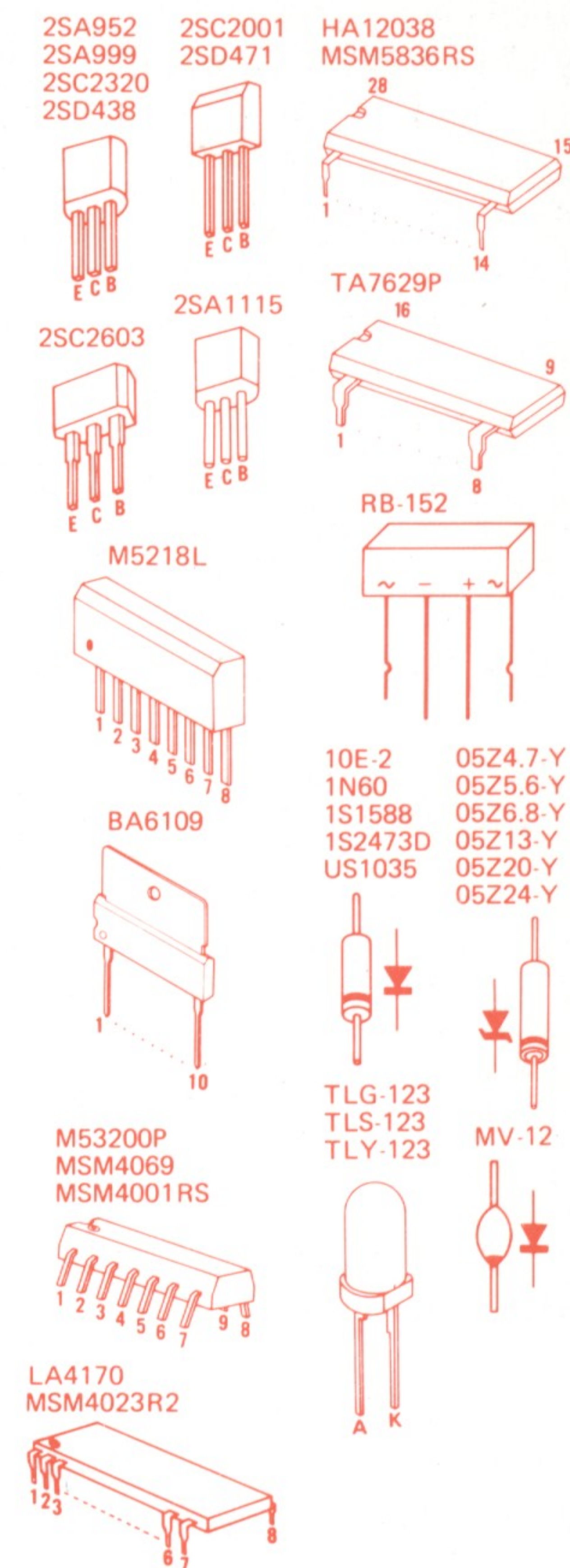
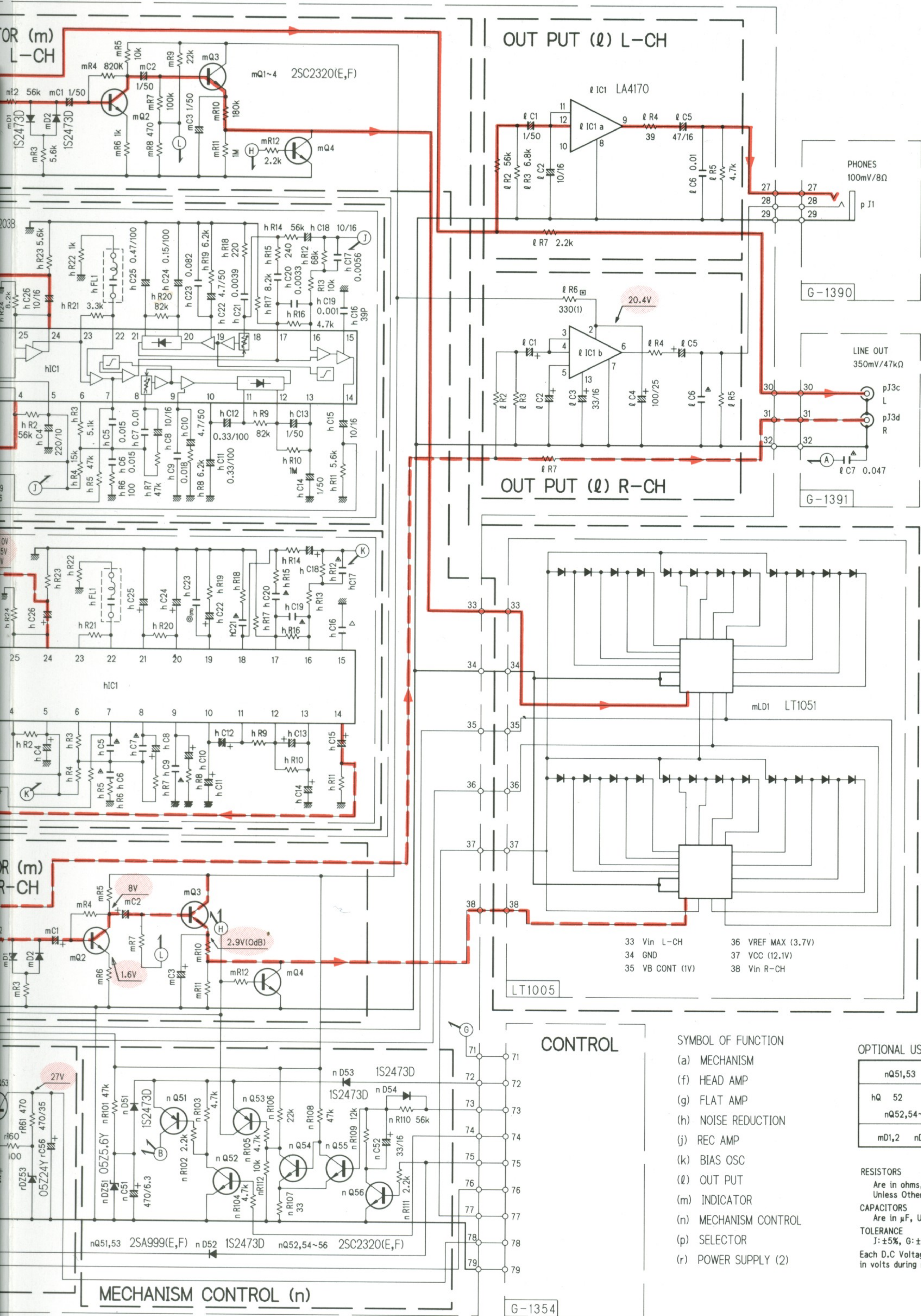
3

4

5

3

* Design and specifications subject to change without notice for improvement.
 * La présentation et les spécifications sont susceptibles d'être modifiées sans préavis par suites d'améliorations éventuelles.
 * Änderungen, die dem technischen Fortschritt dienen, bleiben vorbehalten.



- SYMBOL OF FUNCTION
- (a) MECHANISM
 - (f) HEAD AMP
 - (g) FLAT AMP
 - (h) NOISE REDUCTION
 - (j) REC AMP
 - (k) BIAS OSC
 - (l) OUT PUT
 - (m) INDICATOR
 - (n) MECHANISM CONTROL
 - (p) SELECTOR
 - (r) POWER SUPPLY (2)

OPTIONAL USE FOR TRANSISTORS & DIODES

nQ51,53	pQ2	2SA999	2SA1115
hQ 52	jQ1,2	2SC2320	2SC2603
nQ52,54-56	pQ1,3	1S2473D	US1035
mD1,2	nD51-54	pD1,2	1S1588

RESISTORS
 Are in ohms, 1/4 Watts, ±5% Tolerance
 Unless Otherwise Noted. k:kΩ, M:MΩ

CAPACITORS
 Are in μF, Unless Otherwise Noted. P:pF

TOLERANCE
 J:±5%, G:±2%, F:±1%

Each D.C Voltage shows the nominal value
 in volts during recording.



SANSUI ELECTRIC CO., LTD.:
 SANSUI ELECTRONICS CORPORATION:
 SANSUI ELECTRONICS (U.K.) LTD.:
 SANSUI ELECTRONICS G.M.B.H.:

14-1, Izumi 2-chome, Sugunami-ku, Tokyo 168 Japan
 PHONE: (03) 324-8891/TELEX: 232-2076 (International Division)
 1250 Valley Brook Ave. Lyndhurst, N.J. 07071 U.S.A.
 333 West Alondra Blvd. Gardena, California 90247 U.S.A.
 3036 Koapaka St. Honolulu, Hawaii 96819 U.S.A.
 Unit 10A, Lyon Industrial Estate, Rockware Avenue, Greenford, Middx UB6, OAA, England
 Paul Ehrlich Strasse 8, 6074 Rödermark 2, West Germany