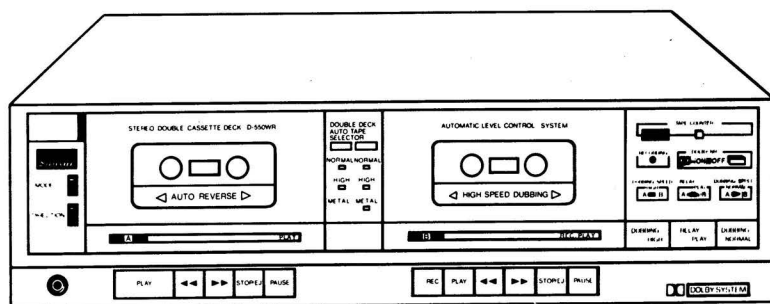


SERVICE MANUAL

STEREO CASSETTE DECK

SANSUI D-550WR



CAUTION

1. Parts identified by the \triangle symbol on the schematic diagram and the parts list are critical for safety. Use only replacement parts that have critical characteristics recommended by the manufacturer.
2. Make leakage-current or resistance measurements to determine that exposed parts are acceptably insulated from the supply circuit before returning the appliance to the customer.

• SPECIFICATIONS

Track format 4 tracks compatible stereo

Tape speed 4.75 cm/sec

Heads

Rec/play head HIGH-Bs hard permalloy

Play head HIGH-Bs hard permalloy

Erase head Double-gap HIGH-Bs ferrite

Motor Electronically controlled DC motor x 2

Reels: DC Motor x 2

Wow/flutter 0.35% max (WRMS)

Fast forwarding (rewinding)

time Approx. 120 sec.
(for C-60 tape)

Frequency response (-20 VU recording/playback)

Normal tape (LH) 125 to 12.5 KHz

Chrome tape 125 to 12.5 KHz

Metal tape 125 to 12.5 KHz

Signal-to-noise ratio (recording/playback with metal tape)

DOLBY NR OFF Better than 40 dB

DOLBY NR ON Better than 55 dB

NR EFFECT 8.5 dB

Erase rate (metal tape). More than 70 dB at 1 kHz

Recording bias frequency 105 kHz

Input sensitivity/Impedance

LINE IN (REC) 450mV/47 kohms

Power requirements 110/120/230V

50/60 Hz

For U.S.A. and Canada 120V (60Hz)

Power consumption 10 watts

Dimensions 430 mm (16-15/16") W

115 mm (5") H

270 mm (8-31/32") D

Weight 4.3 kg (9.68 lbs) net

5.1 kg (11.44 lbs) backed

- Design and specifications subject to changes without notice for improvements.
- Noise reduction system manufactured under license from Dolby Laboratories Licensing Corporation. "Dolby" and the double D symbol are trade marks of Dolby Laboratories Licensing Corporation.

Sansui

SANSUI ELECTRIC CO., LTD.

NOTE

1. The symbols, UL, CSA, SA, BS, UK, EU, AS, SEV, SS, XX (EXPORT) and XX-V (EXPORT (V)) on the parts list and the schematic diagram mean followings respectively.
 - ULManufactured for U.S.A market.
(Underwriters Laboratories approved model.)
 - CSAManufactured for Canadian market.
 - SAManufactured for South African market.
 - BS, UKManufactured for United Kingdom market
 - EUManufactured for European market.
 - ASManufactured for Australian market.
 - SEVManufactured for Swiss market.
 - SSManufactured for Saudi Arabia market.
 - XX (EXPORT)Standard Version with Inner Voltage Selector.
 - XX-V (EXPORT(V))... Standard Version with Outer Voltage Selector.
 - NON MARK.Common Parts.

2. Some printed circuit boards are not supplied assembled. To separate these in this service manual, the stock numbers are not indicated for these boards. However, stock numbers for individual parts are indicated.

3. Since some capacitors and resistors are omitted from parts lists in this service manual, refer to the Common Parts List for capacitors and resistors, which was issued on June 1987.

2. SPECIFICATION OF ADJUSTMENT

PLAY-BACK

(1) MAGNETIC HEAD ADJUSTMENT

1. CONNECT 2-CH VTVM AND OSCILLOSCOPE TO OUTPUT L AND R.
2. SET SWITCH S601 TO PLAY AND DOLBY SWITCH TO "OFF" POSITION.
3. PLAY 12.5KHz AZIMUTH TEST TAPE. (MTT-215M)
4. USING THE ADJUSTMENT SCREW TO THE LEFT OF THE MAGNETIC HEAD, ADJUST FOR MAXIMUM VOLTAGE AND SAME PHASE.
5. AFTER ALIGNMENT, LOCK THE ADJUSTING SCREW IN POSITION USING LOCKING COMPOUND.

(2) PLAYBACK LEVEL ADJUSTMENT

PLAY BACK LEVEL MEANS OUTPUT LEVEL OF DOLBY IC WHEN PLAY DOLBY-LEVEL SET TAPE (MTT-150-200nWb/m)

A. DECK

THE ADJUSTMENTS ARE LOCATED ON THE TAPE CIRCUIT BOARD AND EACH CHANNEL MUST BE PERFORM THE OUTPUT LEVEL ADJUSTMENT AS FOLLOWS.

1. SET SWITCH S601 TO PLAY AND DOLBY SWITCH TO "OFF" POSITION.
2. CONNECT A VTVM AND AN OSCILLOSCOPE TO TAPE OUTPUT JACK.
3. PLAY DOLBY LEVEL SET TAPE (MTT-150).
4. ADJUST THE LEVEL TO $450\text{mV} \pm 0.25\text{dB}$, USING SVR 102 (R-CH152) BUT WHEN ADJUSTMENTS REVERSE, USING SVR 101 (R-CH 151).
5. REPEAT ABOVE PROCEDURE FOR THE OTHER CHANNEL.

B. DECK

THE ADJUSTMENTS ARE LOCATED ON THE TAPE CIRCUIT BOARD AND EACH CHANNEL MUST BE PERFORM THE OUTPUT LEVEL ADJUSTMENT AS FOLLOWS.

1. SET SWITCH S601 TO PLAY AND DOLBY SWITCH TO "OFF" POSITION.
2. CONNECT A VTVM AND AN OSCILLOSCOPE TO TAPE OUTPUT JACK.
3. PLAY DOLBY LEVEL SET TAPE (MTT-150).
4. ADJUST THE LEVEL TO $450\text{mV} \pm 0.25\text{dB}$, USING SVR 103 (R-CH SVR 153).
5. REPEAT ABOVE PROCEDURE FOR THE OTHER CHANNEL.

REC-PLAY

(1) RECORDING SIGNAL CURRENT ADJUSTMENT

1. SET SWITCH S601 TO RECORD, Nor/CrO₂/METAL SWITCH TO "OFF", AND DOLBY SWITCH TO "OFF" POSITION.
2. DISCONNECT THE +B LINE FROM OSCILLATOR SO THAT IT CAN NOT OSCILLATE WHILE RECORDING (IT CAN BE DONE EASILY BY TAKING LEAD FASTEN OF +B LINE OFF)
3. CONNECT THE VTVM AND THE OSCILLOSCOPE BETWEEN R108 (R-CH R158) AND GROUND.
4. SUPPLY DOLBY-LEVEL INPUT SIGNAL OF 400Hz 450mV.
5. ADJUST SVR 501 (R-CH 551) UNTIL VTVM INDICATES 5.6mV OF READING.
7. REPEAT ABOVE PROCEDURE FOR THE OTHER CHANNEL.

(2) PEAKING COIL ADJUSTMENT

1. SET SWITCH S601 TO RECORD AND DOLBY SWITCH TO "OFF" POSITION.
2. DISCONNECT THE +B LINE FROM OSCILLATION SO THAT IT CAN NOT OSCILLATE WHILE RECORDING (IT CAN BE DONE EASILY BY TAKING LEAD FASTEN OF +B LINE)
3. CONNECT THE VTVM AND THE OSCILLOSCOPE BETWEEN R108 (R-CH R158) AND GROUND.
4. SUPPLY 450mV SIGNAL OF 1KHz THROUGH INPUT AND ADJUST RECORD LEVEL CONTROL FOR VU METER INDICATE -25dB.
5. CHANGE SIGNAL FROM 1KHz TO 16KHz.
6. ADJUST L501 (R-CH 551) FOR VTVM INDICATE MAXIMUM LEVEL AT 16KHz.
7. REPEAT ABOVE PROCEDURE FOR OTHER CHANEL.

(3) BIAS TRAP COIL ADJUSTMENT

1. SET SWITCH S601 TO RECORD, DOLBY SWITCH TO "OFF" POSITION AND Nor/CrO₂/METAL FOR "NORMAL" POSITION.
2. CONNECT THE VTVM AND OSCILLOSCOPE BETWEEN TP AND GROUND.
3. ADJUST L502 (R-CH L552) FOR VTVM INDICATE MINIMUM LEVEL.
4. REPEAT ABOVE PROCEDURE FOR OTHER CHANEL.

(4) BIAS FREQUENCY ADJUSTMENT

1. SET SWITCH S601 TO RECORD AND Nor/CrO₂/METAL TO "NORMAL" POSITION.
2. INPUT SIGNAL IS NOT NECESSARY FOR THIS ADJUSTMENT.
3. CONNECT THE FREQUENCY COUNTER TO TEST LEAD AND GROUND.
4. ADJUST L601 FOR A READING OF 105KHz ON THE COUNTER.

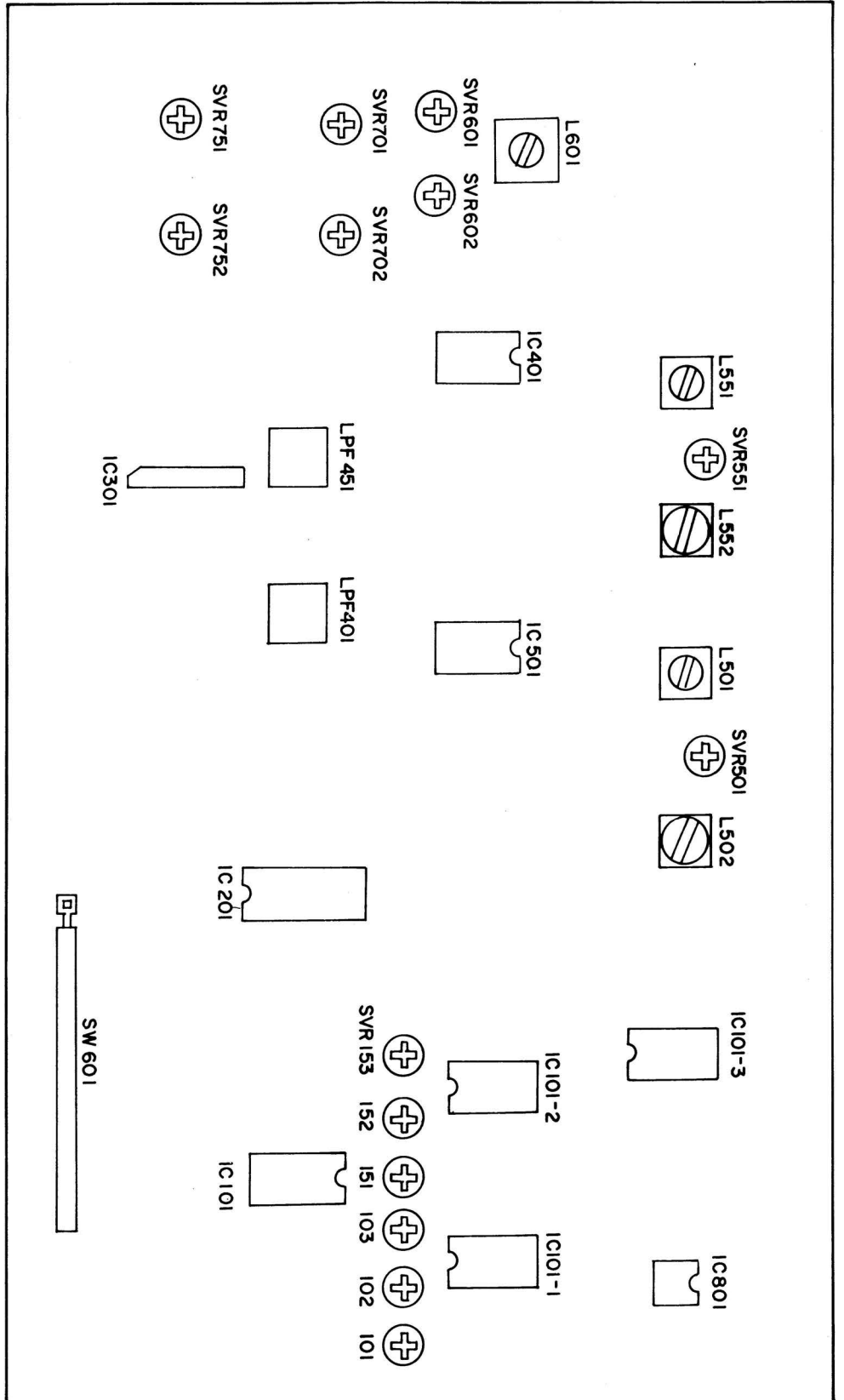
(5) BIAS CURRENT ADJUSTMENT.

1. SET SWITCH S601 TO RECORD AND DOLBY SWITCH TO "OFF" POSITION.
2. CONNECT THE VTVM AND OSCILLOSCOPE BETWEEN R108 (R-CH R158) AND GROUND.
3. SET Nor/CrO₂/METAL FOR "METAL" POSITION.
4. ADJUST SVR 601 UNTIL VTVM INDICATES 92mV OF READING.
5. REPEAT ABOVE PROCEDURE FOR THE OTHER CHANNEL.

* WHEN SELECTOR SWITCH OF TAPE CHANGED CrO₂ AND NORMAL, CHECKED VOLTAGE VARIATION CrO₂ IS ABOUT 68mV, NORMAL IS ABOUT 46mV

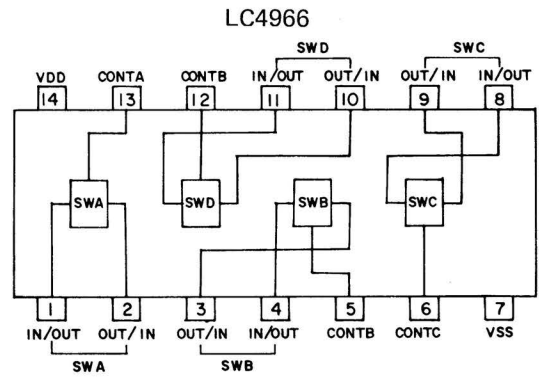
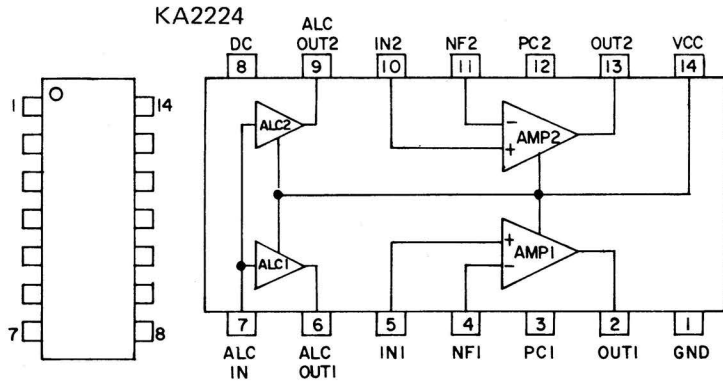
3. ALIGNMENT POINT LOCATION

Main PCB Board [Component Side]

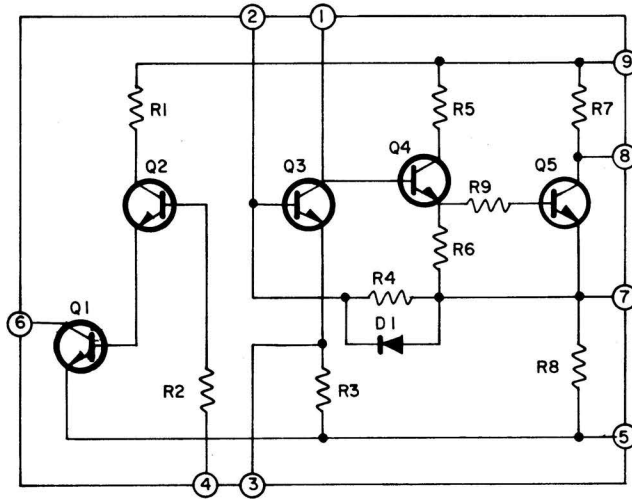


SVR 101	: DECK-A	FORWARD	L-CH	OUTPUT LEVEL	SVR701	: DECK-A	NORMAL SPEED
SVR 151	: DECK-A	FORWARD	R-CH	OUTPUT LEVEL	SVR702	: DECK-A	HI - SPEED
SVR 102	: DECK-A	REVERSE	L-CH	OUTPUT LEVEL	SVR751	: DECK-B	NORMAL SPEED
SVR 152	: DECK-A	REVERSE	R-CH	OUTPUT LEVEL	SVR752	: DECK-B	HI - SPEED
SVR 103	: DECK-B	L-CH	OUTPUT LEVEL	L501	: L-CH	PEAKING COIL	
SVR 153	: DECK-B	R-CH	OUTPUT LEVEL	L551	: R-CH	PEAKING COIL	
SVR 501	: L-CH	SIGNAL	CURRENT	L502	: L-CH	TRAP COIL	
SVR 551	: R-CH	SIGNAL	CURRENT	L552	: R-CH	TRAP COIL	
SVR 601	: L-CH	BIAS	CURRENT	L601	: BIAS OSC	COIL (105KHz)	
SVR 602	: R-CH	BIAS	CURRENT				

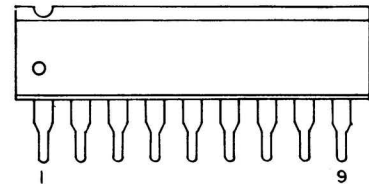
4. IC LEAD LAYOUT



KA2220H

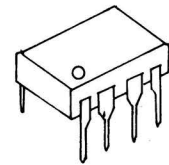
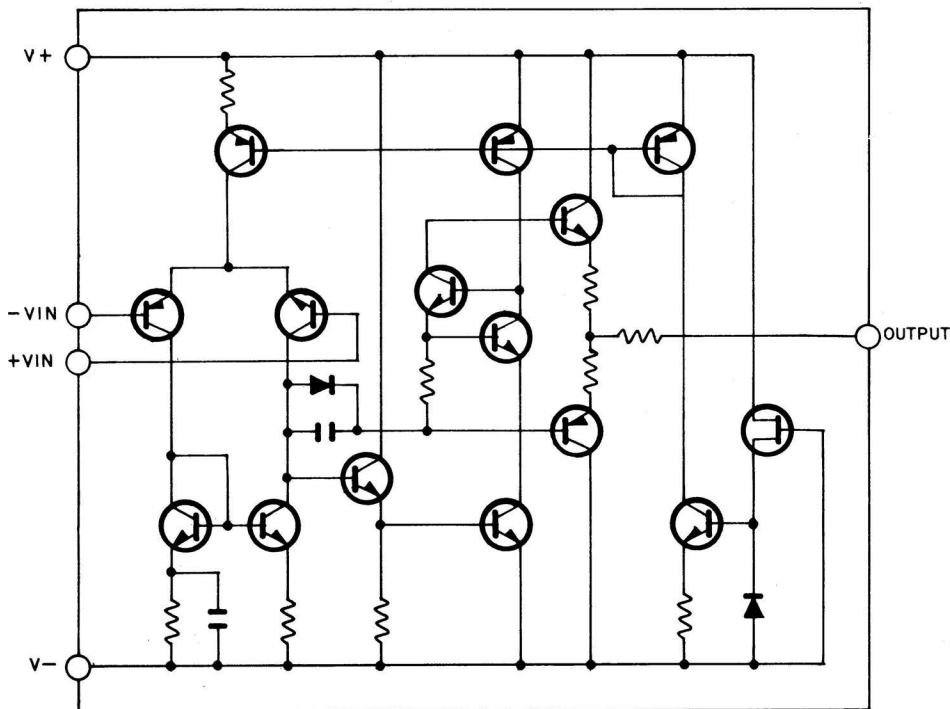


KA2220H

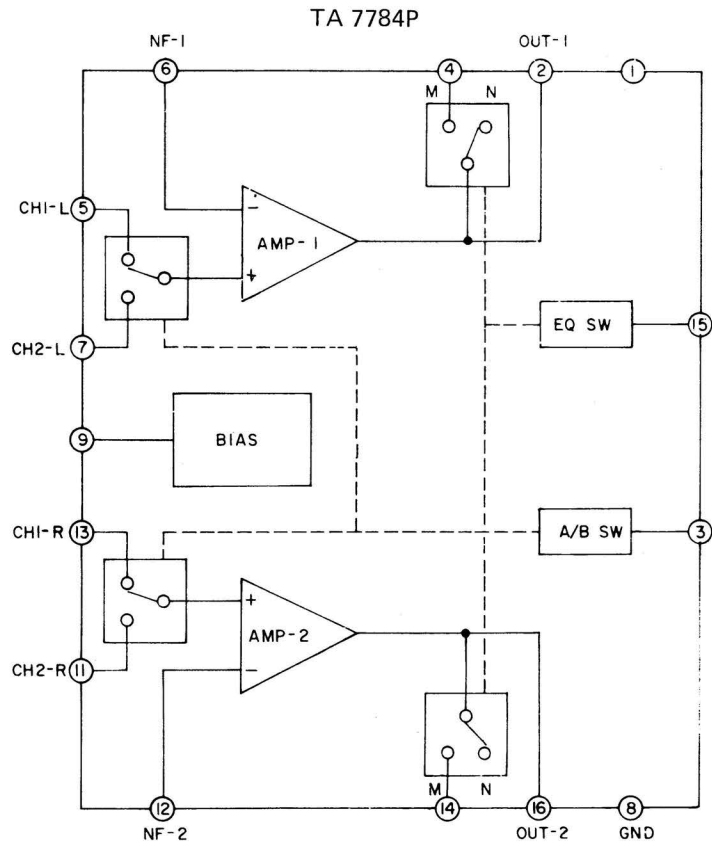
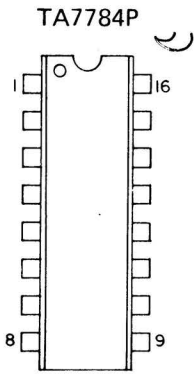


NJM4558D/LA6458D

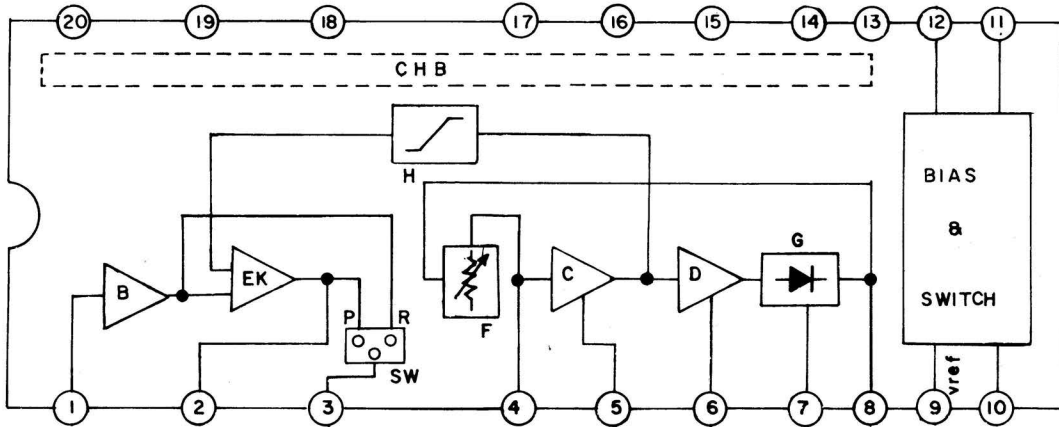
EQUIVALENT CIRCUIT (1/2 SHOWN)



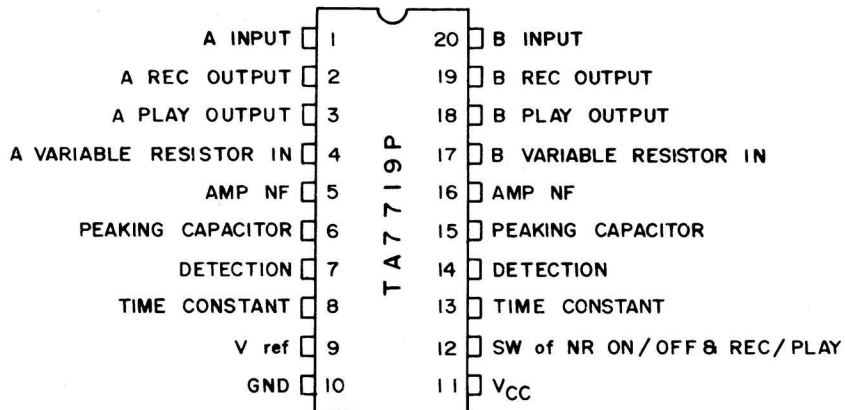
NJM4558D/LA6458D



TA 7719



TA7719



5. IC VOLTAGE TABLE

IC VOLTAGE

IC101 TA7784P

1	2	3	4	5	6	7	8	9	10	11	12	13	14	15	16
9.54	2.21	0.03	2.2	2.16	2.17	2.16	0	2.17	0	2.16	2.16	2.16	2.2	0.25	2.21

IC101-1 LC4966

1	2	3	4	5	6	7	8	9	10	11	12	13	14		
0	0	0	0	11.26	11.26	0	0	0	0	0	0.03	0.03	11.26		

IC101-2 LC4966

1	2	3	4	5	6	7	8	9	10	11	12	13	14		
0	0	0	0	0.02	0.02	0	0	0	0	0	9.54	9.54	11.27		

IC101-3 LC4966

1	2	3	4	5	6	7	8	9	10	11	12	13	14		
0	0	0	-0.16	0	0	0	-0.25	0	0	0	11.23	11.23	11.29		

IC201 TA7719P

1	2	3	4	5	6	7	8	9	10						
5.37	5.36	5.50	5.39	5.38	5.38	5.48	5.37	5.38	0						
11	12	13	14	15	16	17	18	19	20						
10.79	5.92	5.37	5.48	5.38	5.37	5.39	5.5	5.36	5.38						

IC301 KA2220

1	2	3	4	5	6	7	8	9							
2.26	0.7	0.04	0.03	0	0	0.83	5.60	10.95							

IC401 KA2224

1	2	3	4	5	6	7	8	9	10	11	12	13	14		
0	5.40	10.06	5.36	5.34	0	0	5.38	0	5.34	5.36	10.06	5.41	10.27		

IC501 LC4966

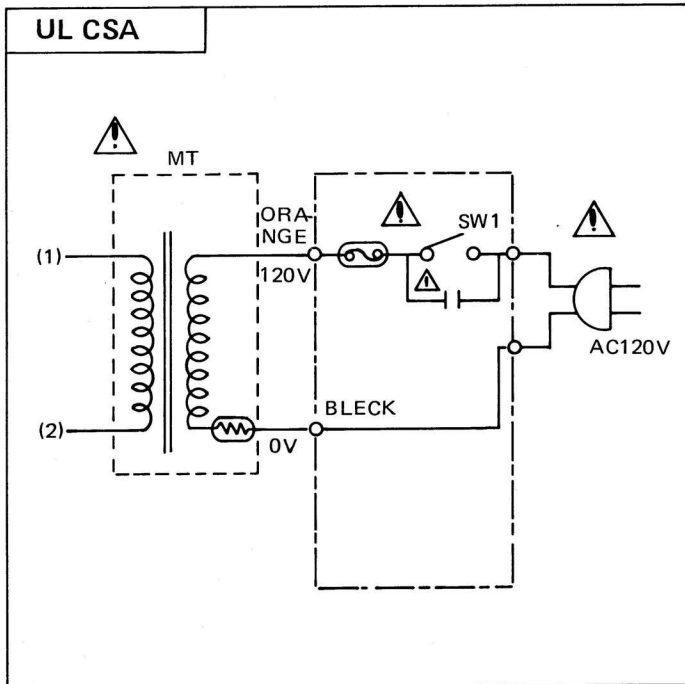
1	2	3	4	5	6	7	8	9	10	11	12	13	14		
0	-0.25	-0.24	0	0	0	0	0	-0.24	-0.24	0	0	0	11.28		

IC801 MC4558D/NJM 4558D

1	2	3	4	5	6	7	8								
5.33	5.33	5.31	0	5.31	5.33	5.33	10.67								

TR	Q902
E	11.49
B	12
C	16

6. POWER SUPPLY SECTION



SYMBOL OF FUNCTION

(m) POWER SUPPLY

(P) FIXED PARTS

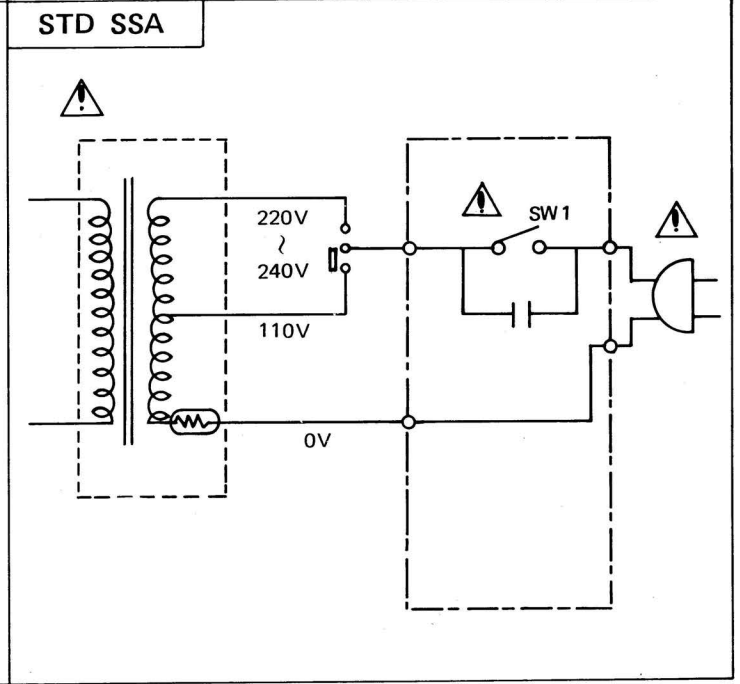
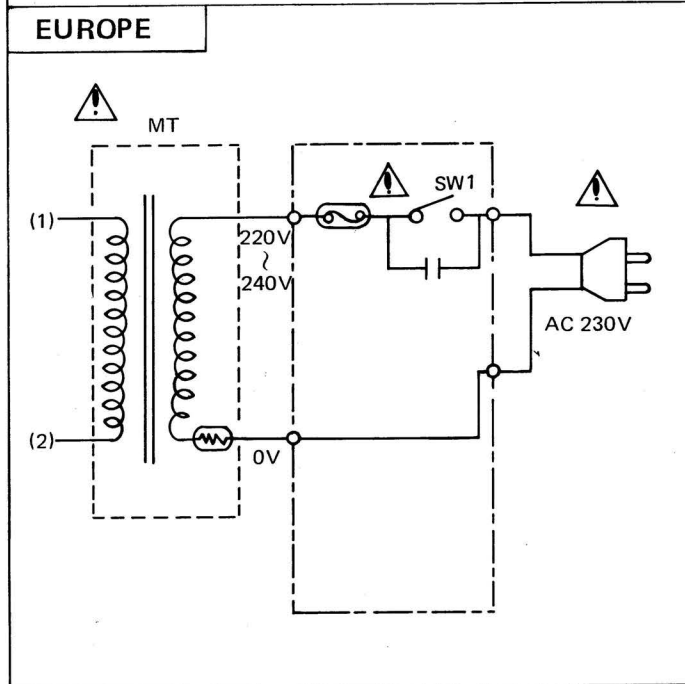
△ Ceramic Capacitor

CAPACITORS

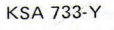
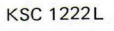
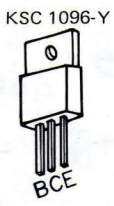
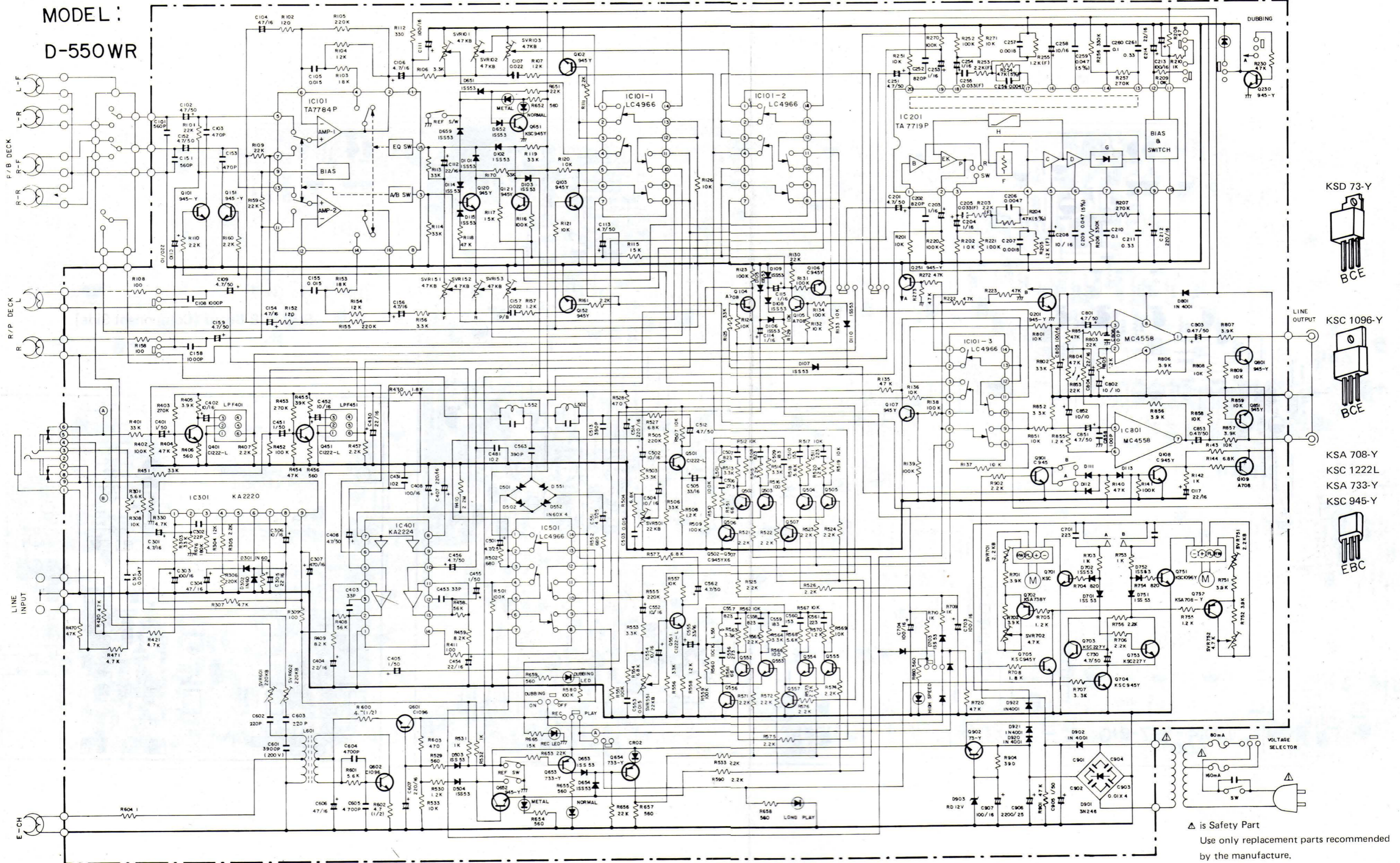
Are in μF Unless Otherwise Noted P: PF

△ is Safety Part

Use only replacement parts recommended by the manufacturer.

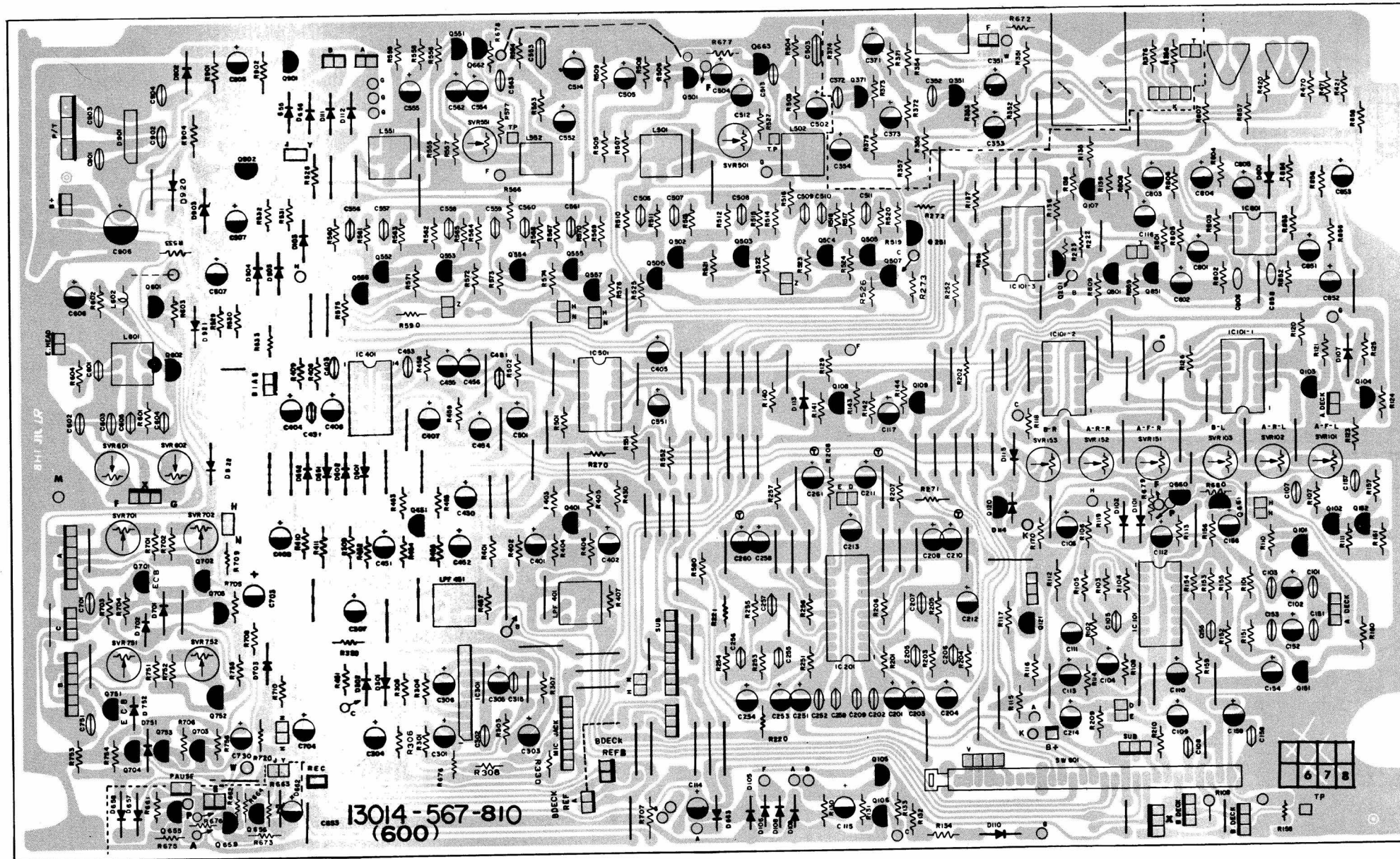


7. SCHEMATIC DIAGRAM

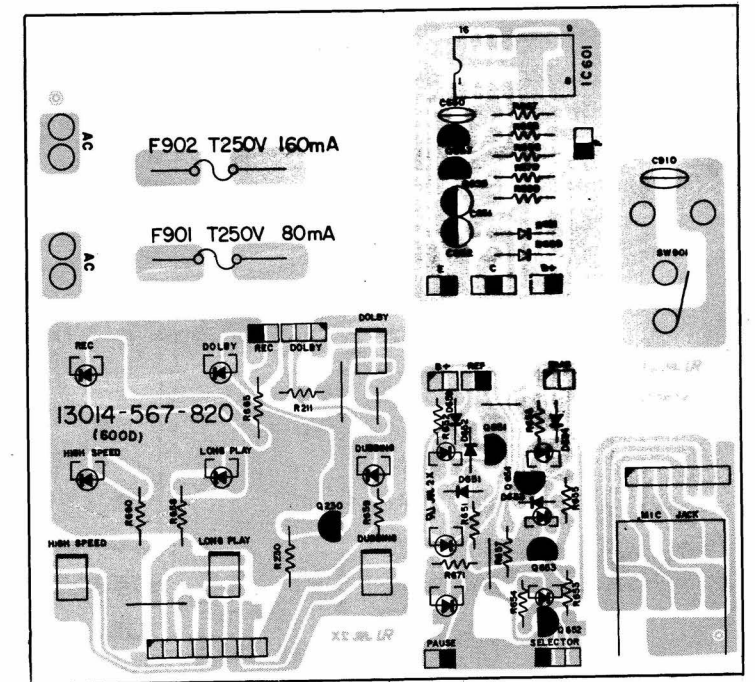


8. PARTS LOCATION OF CIRCUIT BOARD

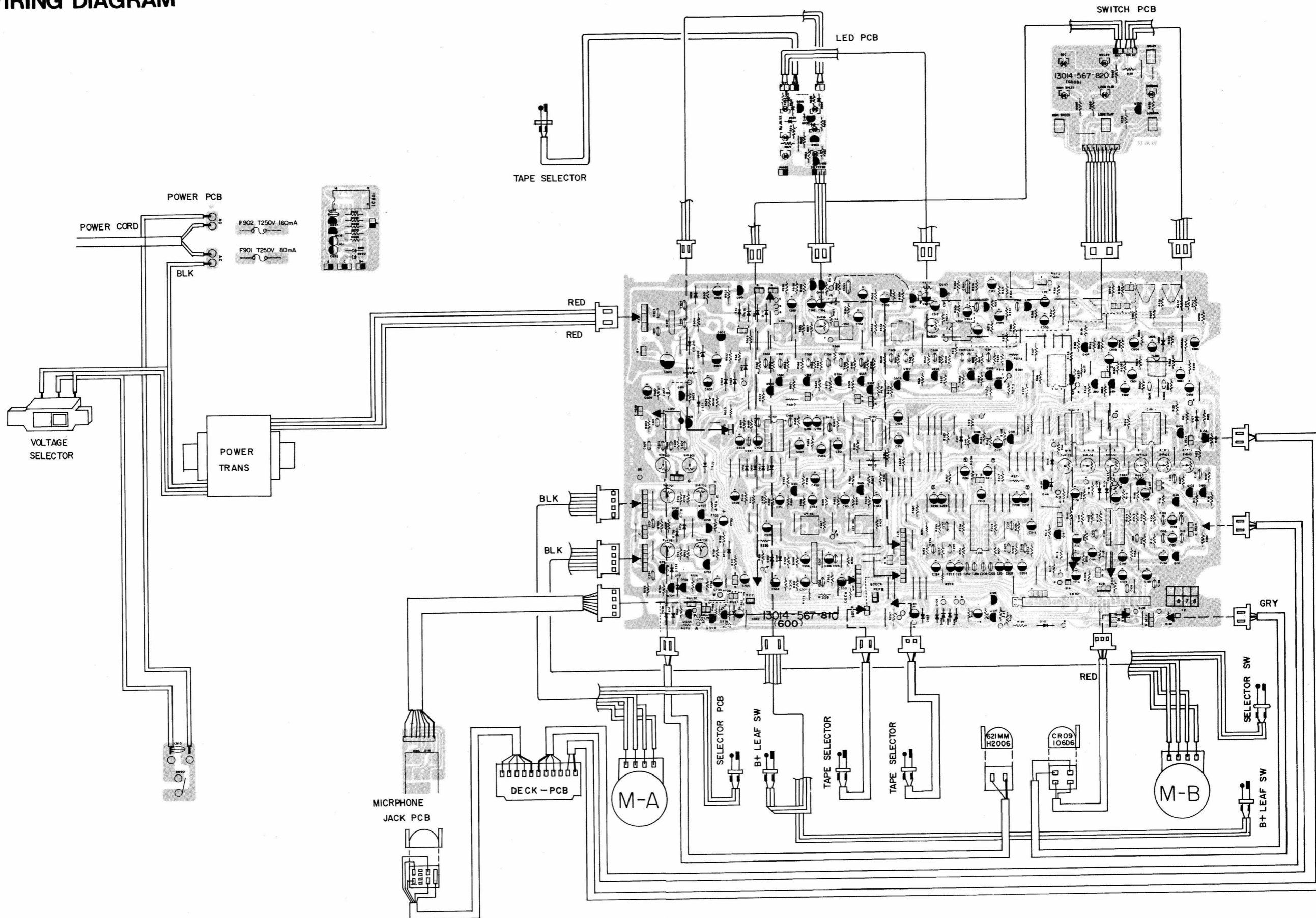
Main PCB Board [Component Side]



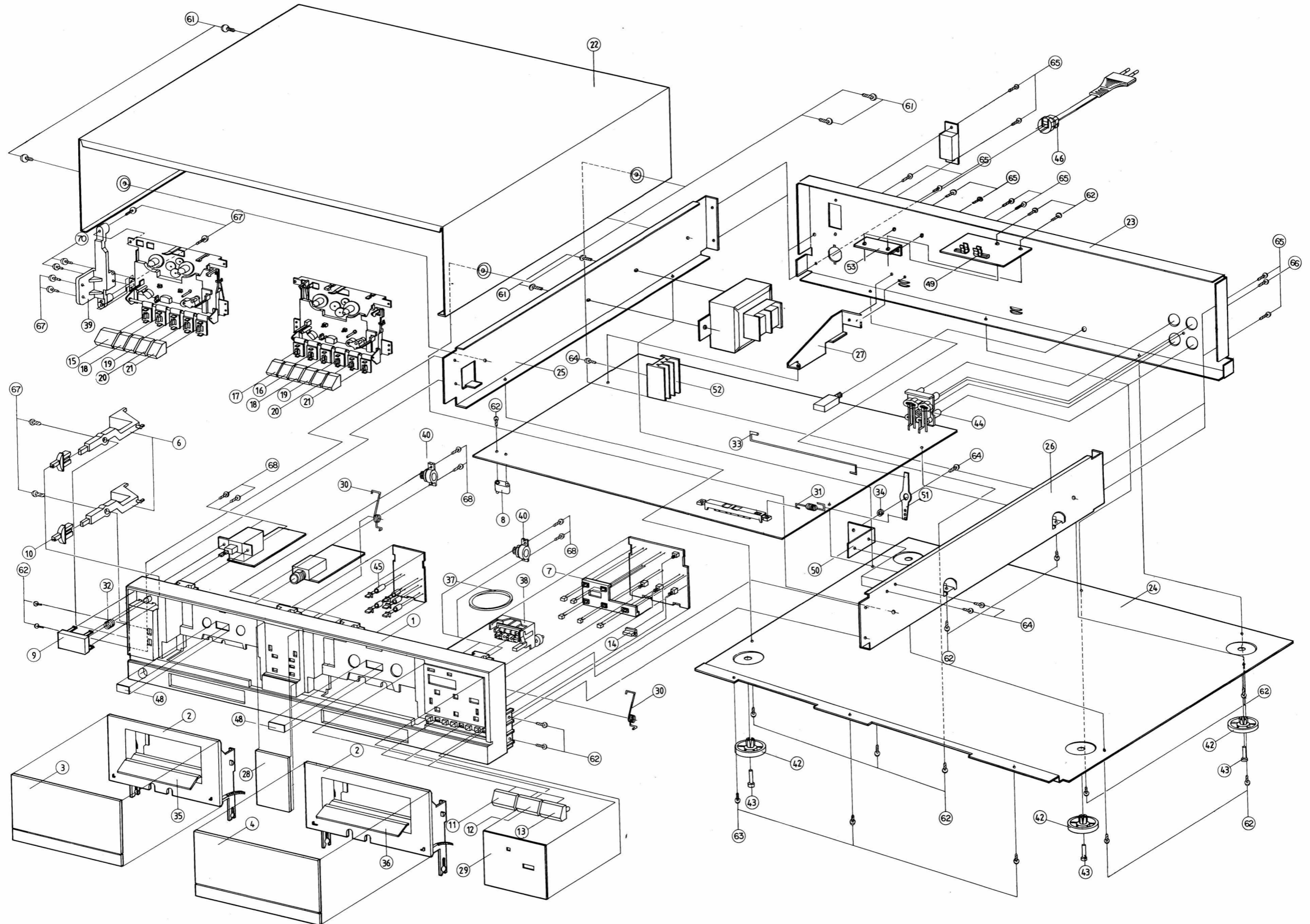
SUB PCB Board [Component Side]



9. WIRING DIAGRAM

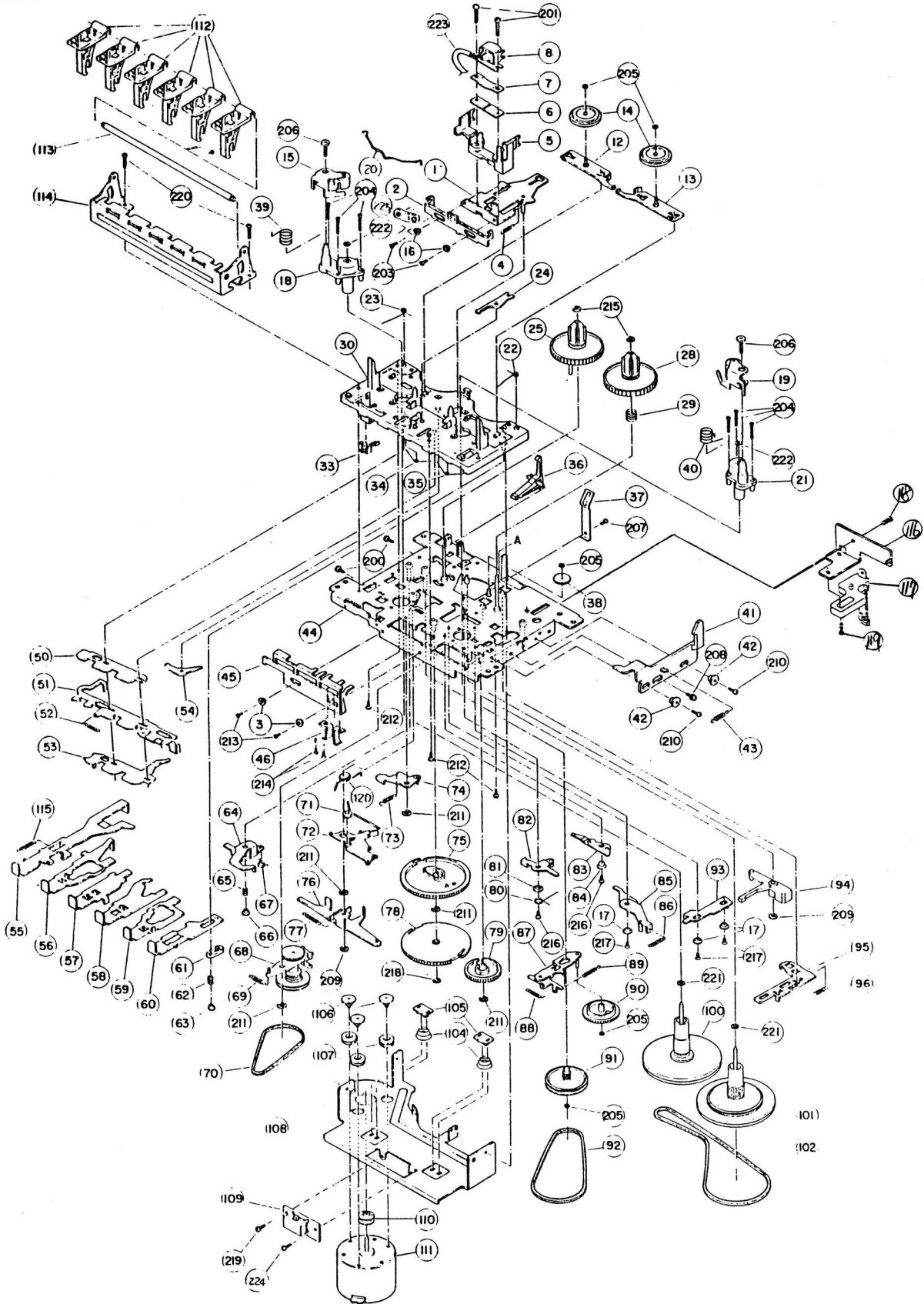


10. SET MECHANICAL EXPLODED VIEW

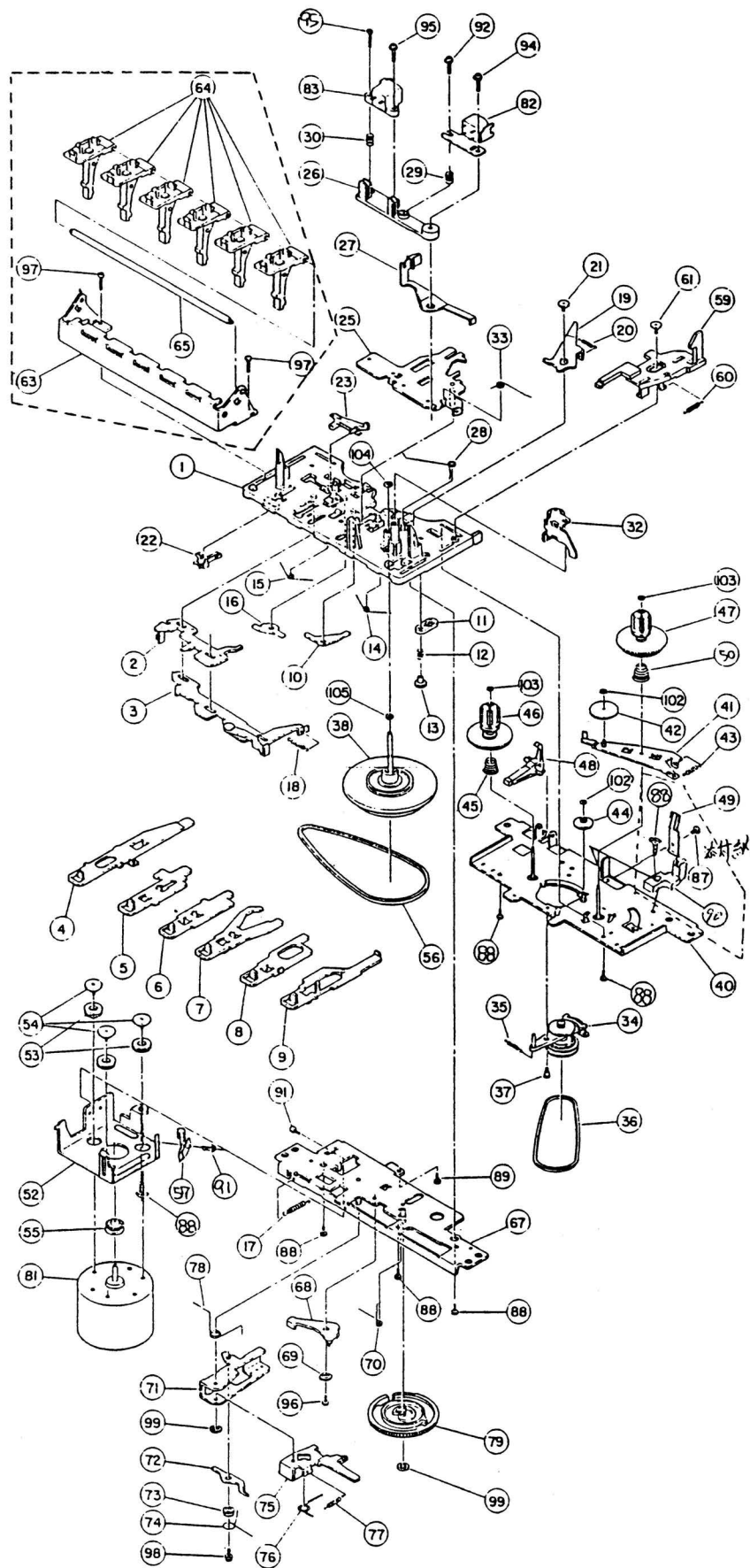


11. DECK MECHANICAL EXPLODED VIEW

TN-222F



TN-29F



12. PARTS DESCRIPTION

ELECTRICAL PARTS

REF NO.	DESCRIPTION	SPECIFICATION	STOCK NO.	Q'TY	REMARK
IC 101	IC-TAPE EQ	TA 7784-P	58571100	1	
IC 201	IC-DOLBY	TA 7719-P	58571000	1	
IC 101-1, 2, 3,	IC-SWITCH	LC-4966	48056800	3	
IC 501	IC-SWITCH	LC-4966	48056800	1	
IC 301	IC-PRE AMP	KA 2220/LA 3210	58571200	1	
IC 401	IC-PRE AMP	LA 3220 KA2224	58571300	1	
IC 801	IC	NJM4558D	07208900	1	
IC 801	IC	or LA6458D	58040900	1	
Q 101 151	TRANSISTOR	KSC 945Y	03059501	2	
Q102 152	TRANSISTOR	KSC 945Y	03059501	2	
Q 103 108	TRANSISTOR	KSC 945Y	03059501	2	
Q 106 Q 107	TRANSISTOR	KSC 945Y	03059501	2	
Q 120 121	TRANSISTOR	KSC 945Y	03059501	2	
Q 201 251	TRANSISTOR	KSC 945Y	03059501	2	
Q 230	TRANSISTOR	KSC 945Y	03059501	1	
Q 502 552	TRANSISTOR	KSC 945Y	03059501	2	
Q 503 553	TRANSISTOR	KSC 945Y	03059501	2	
Q 504 554	TRANSISTOR	KSC 945Y	03059501	2	
Q 505 555	TRANSISTOR	KSC 945Y	03059501	2	
Q506, 556	TRANSISTOR	KSC 945Y	03059501	2	
Q507, 557	TRANSISTOR	KSC 945Y	03059501	2	
Q651, 652	TRANSISTOR	KSC 945Y	03059501	2	
Q 704 705	TRANSISTOR	KSC 945Y	03059501	2	
Q801, 851	TRANSISTOR	KSC 945Y	03059501	2	
Q 901	TRANSISTOR	KSC 945Y	03059501	1	
Q653, 654	TRANSISTOR	KSA 733Y	07197001	2	
Q 401 451	TRANSISTOR	KSC 1222-L	03060101	2	
Q 501 551	TRANSISTOR	KSC 1222-L	03060101	2	
Q 601	TRANSISTOR	KSC1096-Y	03059601	1	
Q 602	TRANSISTOR	KSC1096-Y	03059601	1	
Q 104 105	TRANSISTOR	KSA 708-Y	58571400	2	
Q 109	TRANSISTOR	KSA 708-Y	58571400	2	
Q 702 752	TRANSISTOR	KSA 708Y	58571400	2	
Q 701 751	TRANSISTOR	KSC 1096-Y	03059601	2	
Q 703 753	TRANSISTOR	KSD 227-Y	58571500	2	
Q 902	TRANSISTOR	KSD 73-Y	58571700	1	
D501,551	DIODE-1K 188FM	1R: 15 μ A	58571800	2	

REF NO.	DESCRIPTION	SPECIFICATION	STOCK NO.	Q'TY	REMARK
D502, 552	DIODE-IK 188FM	1R: 15 μ A	58571800	2	
D301, 302	DIODE-IK 188FM	1R: 15 μ A	58571800	2	
D901	DIODE-BRIDGE	3N246 1A 50V	58571900	1	
D801	DIODE-RECT, IN 4001	SRIK-1 (1.0A 50V)	37021900	1	
D902, 920	DIODE-RECT, IN4001	SRIK-1 (1.0A 50V)	37021900	2	
D921, 922	DIODE-RECT, IN4001	SRIK-1 (1.0A 50V)	37021900	2	
	DIODE-SW	ISS53/IN 4148, CT: 6PF	58572000	27	
	LED	SLB-55VR3 (RED)	58572400	1	
	LED	SLB-55DU (ORG)	58572300	4	
	LED	SLB-25DU (AMB) SQUARE	58572500	6	
L601	COIL-CAN	AG 4MH KQ1000	58572800	1	
LPF 401, 451	FILTER-LOW PASS	10PD 19/58KHz	58574400	2	
L501, 551	COIL-TEN, CAN	4R7MH J-BASE FMW BLU	58572900	2	
L502, 552	COIL-CHOKE	POT-B 24MH K Q100	58572700	2	
SW601	SWITCH-PUSH	SPH 221A	58573900	4	
	SWITCH SLIDE	6C-2P CL106B	58573800	1	
	SWITCH POWER	SDL 1P (250V 4A)	58574100	1	
	JACK-MICROPHONE	HYT-80-065	58573600	1	
	JACK-AUX	4P	58573700	1	

SET MECHANICAL PARTS

REF NO.	DESCRIPTION	SPECIFICATION	STOCK NO.	Q'TY	REMARK
1.	PANEL-FRONT	HIPS 94HB	58575200	1	
2.	DOOR-CASSETTE	ABS 94HB	58580400	2	
3	WINDOW-DOOR A	ACRYL CLR 94HB	58580500	1	
4	WINDOW-DOOR B	ACRYL CLR 94HB	58580600	1	
5		HIPS 94HB			
6	LINK-MODE	ABS 94HB BLK	58574900	2	
7	HOLDER-LED	ABS 94HB 5 x 5 x 5	58576400	1	
8	SUPPORT-PWB	ABS NETURAL	58576300	1	
9	KNOB-POWER	ABS 94HB BLK	58580300	1	
10	KNOB-MODE/PRO.	ABS 94HB BLK	58579900	2	
11	KNOB-D, SPEED	ABS94HB BLK	58580000	1	
12	KNOB-R/PLAY	ABS 94HB BLK	58580100	1	
13	KNOB-D/NORMAL	ABS94HB BLK	58580200		
14	KNOB-DOLBY	ABS94HB BLK	58579800	1	
15	KNOB-PLAY. L	ABS94HB BLK	58607800	1	
16	KNOB-PLAY, S	ABS94HB BLK	58579300	1	

REF NO.	DESCRIPTION	SPECIFICATION	STOCK NO.	Q'TY	REMARK
17	KNOB-REC	ABS94HB BLK	58579200	1	
18	KNOB-REW	ABS94HB BLK	58579400	2	
19	KNOB-F. FWD	ABS94HB BLK	58579500	2	
20	KNOB-STOP/EJ	ABS94HB BLK	58579700	2	
21	KNOB-PAUSE	ABS94HB BLK	58578600	2	
22	CABINET-TOP	VINYL STEEL / BLK	58575400	1	
23	CHASSIS-REAR (CHASSIS-REAR) (CHASSIS-REAR) (CHASSIS-REAR)	SPC 0.8T FZY/BLK		1 (1) (1) (1)	UL. CSA EU SSA STD
24	CHASSIS BOTTOM	SPC 0.8T FZY		1	
25	FRAME-L	SBHG 0.8T		1	
26	FRAME- R	SBHG 0.8T		1	
27	BRKT-BACK	SBHG 1.0T		1	
28	WINDOW-LED	ACRYL 3.0T CLR	58580700	1	
29	WINDOW-COUNTER	PVC1.0T CLR	58580800	1	
30	SPRING-EJECT	SUS 0.8 ϕ	58577200	2	
31	SPRING-REC		58577500	1	
32	SPRING-POWER	SUS	58577100	1	
33	LINK-REC	SUS 1.0T	58577300	1	
34	BUSH-REC	MBS	58574700	1	
35	INLAY-DOOR A	AL 0.3T	58580900	1	
36	INLAY-DOOR B	AL 0.3T	58581000	1	
37	BELT-COUNTER	WAT+CR 50PI	58575000	1	
38	COUNTER-TAPE	SCR	58574300	1	
39	BRKT-LEVER	ABS BLK	58576500	2	
40	DAMPER-GEAR ASSY	ACETAL WHT	58574800	2	
41		ACETAL WHT			
42	FOOT	94HB PVC SOFT BLK	58575900	4	
43	FOOT STOPPER	ABS 94HB BLK	58575300	4	
44		ASSY ABS			
45	HOLDER-LED "A"	ABS BLK	58576200	5	
46	CLAMPER CORD	NYLON 66		1	UL. CSA
47	(CLAMPER CORD)	PVC 1.0T		(1)	EU. SSA. STD
48	REFLECTOR	PVC 1.0T		2	
49	FUSE CLIP			2	
50	BRKT-REC	SBHG 1.0	58576600	1	
51	LEVER-REC	SBHG 1.0		1	
52	HEAT SINK TR	ALS 1.5T EX		1	
53	BRKT-PWB	SBHG 1.0T		1	

REF. NO.	DESCRIPTION	SPECIFICATION	STOCK NO.	Q'TY	REMARK
54	SPRING-PROGRAM		58577400	1	
61	SCREW-TH		58578100	6	
62	SCREW-SPEC RH	2S-3x8 FZY	58578600	16	
63	SCREW-TAP FH	2S-3x8 FZY	58577900	1	
64	SCREW-TAP RH	2S-3x8 FZY	58578300	4	
65	SCREW-TAP RH	2S-3x8 FZB	58578400	8	
66		1-3x8 FZB		1	
67	SCREW-SPEC RH	2S-3x6 FZY	58578700	4	
68	SCREW-TAP TITE	B-3x8 FZY	58579000	11	
69	SCREW-TAP TITE	B-3x10 FZY	58579100	2	
70	SCREW-PH	M2x6 FZB	58577800	2	
71	OPERATING INSTRUCTION		58581200	1	
72	PACKING CASE (STD)		58581400	1	
73	BAG 0.02T x 500 x 690		58581600	2	
74	CUSHION (L)		58581700	1	
75	CUSHION (R)		58581800	1	
76	CUSHION (FRONT)		58581900	1	
77	PACKING CASE (UL, EU)		58583000	1	
78	PACKING CASE (SSA)		58583200	1	

DECK MECHANICAL PARTS (TN-222F)

NO.	DESCRIPTION	SPECIFICATION	STOCK NO.	Q'TY	REMARK
1	HEAD PANEL ASS'Y	1865-02-501		1	
2	C.H.P. LEVER	1865-02-15		1	
3	C.H. SLIDE LEVER COLLAR	1865-22-19	58585200	2	
4	HEAD PANEL SP	1865-02-11	58585300	1	
5	H. BASE	1865-02-09	58585400	1	
6	HEAD PLATE	1865-02-10	58585500	1	
7	HEAD SP PLATE A	1840-03-10A	58585600	1	
8	HEAD P-5244CA	SUPPLY PARTS	58585700	1	
12	T. ROLLER PLATE (R) ASS'Y	1865-05-502	58585800	1	
13	T. ROLLER PLATE (F) ASS'Y	1865-05-501	58585900	1	
14	T. ROLLER ASS'Y	1865-05-301	58586000	2	
15	PINCH ROLLER ARM (R) ASS'Y	1865-04-304	58586100	1	
16	C.H.P. LEVER COLLAR A	1865-02-14	58586200	2	
17	COLLAR	1820-08-06	58586300	3	
18	F.L. METAL (R)	1865-09-11	58586400	1	
19	PINCH ROLLER ARM (F) ASS'Y	1865-04-303	58586500	1	
20	P. ROLLER SP	1865-04-15	58586600	1	
21	F.L. METAL (F)	1865-09-10	58586700	1	
22	T. ROLLER SP (F)	1865-05-10	58586800	1	
23	T. ROLLER SP (R)	1865-05-11	58586900	1	
24	CONTROL LEVER	1865-22-05	58587000	1	
25	REEL (R) ASS'Y	1865-05-307	58587100	1	

NO.	DESCRIPTION	SPECIFICATION	STOCK NO.	Q'TY	REMARK
27					
28	REEL (F) ASS'Y	1865-05-302	58587200	1	
29	SPRING	1865-05-15	58587300	1	
30	MAIN BASE ASS'Y	1865-14-01	58587400	1	
31					
32					
33	LEAF SW LAS-1115	6405-01-23	58587500	1	
34	BUTTON LEVER SP	1865-14-32	58587600	1	
35	BUTTON LEVER SP (C)	1821-01-23	58587700	1	
36					
37	PACK SP PLATE	1865-01-02	58587800	1	
38	FF GEAR	1865-01-20	58587900	1	
39	P. ARM SP (R)	1865-04-16	58588000	1	
40	P. ARM SP (F)	1865-04-17	58588100	1	
41	E SLIDE LEVER	1865-13-01	58588200	1	
42	COLLAR	1865-13-02	58588300	2	
43	E SLIDE LEVER SP	630-07-06	58588400	1	
44	CHASSIS ASS'Y	1865-01-505	58588500	1	
45	CH SLIDE LEVER	1865-22-02		1	
46	SW SP PLATE	1865-22-20	58588700	2	
50	R/C STOPPER			1	
51	PUSH BUTTON ACTUATOR ASS'Y	1865-14-503		1	
52	PUSH BUTTON ACTUATOR SP	1820-03-12	58588900	1	
53	SW ACTUATOR	1865-14-07		1	
54	RWD LEVER	1865-14-28	58589100	1	
55	REC BUTTON LEVER	1865-14-24		1	
56	PLAY BUTTON LEVER	1865-14-17		1	
57	RWD BUTTON LEVER	1865-14-18		1	
58	FF BUTTON LEVER	1865-14-19		1	
59	STOP BUTTON LEVER	1865-14-20		1	
60	PAUSE BUTTON LEVER ASS'Y	1865-14-501		1	
61	PAUSE LEVER	1821-01-15	58589800	1	
62	PAUSE LEVER SP	1821-01-16	58589900	1	
63	P STOPPER	1821-01-34	58590000	1	
64	M FUNCTION LEVER	1865-22-09	58590100	1	
65	FUNCTION LEVER SP	1865-22-13	58590200	1	
66	M BUSH	1865-22-12	58590300	1	
67	M FUNCTION LEVER SP (B)	1865-22-15	58590400	1	
68	RF CLUTCH ASS'Y	1865-07-302	58590500	1	

NO.	DESCRIPTION	SPECIFICATION	STOCK NO.	Q'TY	REMARK
69	RF CLUTCH ARM SP	1800-11-43	58590600	1	
70	RF BELT	1865-07-12	58590700	1	
71	LIFT SP	1865-21-04	58590800	1	
72	LIFT ARM ASS'Y	1865-21-502		1	
73	M TRIGGER ARM SP	1562-11-05	58591000	1	
74	M TRIGGER ARM ASS'Y	1865-21-501		1	
75	M GEAR	1865-21-01	58591200	1	
76	CH LEVER ASS'Y	1865-22-501		1	
77	CH LEVER SP	1865-22-21	58591400	1	
78	CH GEAR ASS'Y	1865-22-16	58591500	1	
79	P GEAR	1865-17-01	58591600	1	
80	P TRIGGER ARM SP	1865-17-08	58591700	1	
81	P TRIGGER COLLAR	1865-17-07	58591800	1	
82	P TRIGGER ARM ASS'Y	1865-17-08		1	
83	RF TRIGGER ARM	1865-17-07		1	
84	RF COLLAR	1865-17-10	58592100	1	
85	P ACTUATOR ARM ASS'Y	1865-17-501		1	
86	P ACTUATOR ARM SP	1700-16-13	58592300	1	
87	CAM GEAR PLATE ASS'Y	1865-11-501		1	
88	SENSOR PLATE SP	1865-11-13	58592500	2	
89	CAM GEAR PLATE SP	1865-11-12	58592600	1	
90	CAM GEAR	1865-11-02	58592700	1	
91	PULLEY	1865-11-01	58592800	1	
92	FULL AUTO BELT	1830-05-06	58592900	1	
93	RF LEVER	1865-11-09		1	
94	SENSING PLATE	1865-11-03	58593100	1	
95	CONTROL LEVER	1865-11-08		1	
96	CONTROL LEVER SP	1865-11-11	58593300	1	
100	FL PULLEY CAPSTAN ASS'Y	1865-09-301	58593400	1	
101	FL GEAR CAPSTAN ASS'Y	1865-09-302	58593500	1	
102	MAIN BELT	1865-09-09	58593600	1	
103					
104	DAMPER SP	1820-13-10	58593700	2	
105	FL PATCH PLATE	1820-13-02	58593800	2	
106	M COLLAR SCREW	1821-12-02	58593900	3	
107	MOTOR RUBBER	1820-13-06	58594000	3	
108	FL HOLD PLATE	1865-09-06		1	
109	SW BASE ASS'Y	1865-09-306	58594200	1	
110	MOTOR PULLEY	1865-09-14	58594300	1	

NO.	DESCRIPTION	SPECIFICATION	STOCK NO.	Q'TY	REMARK
111	MOTOR SHW-2L	SUPPLY PARTS	58594400	1	
112	OPERATION LEVER	1865-14-50	58594500	6	
113	BUTTON LEVER SHAFT	1829-31-03		1	
114	BUTTON FRAME	1865-14-15		1	
115	REC BUTTON LEVER SP	1821-01-07	58594800	1	
116	SWITCH BRACKET			1	
117	LEAF SWITCH	MSW-1165	58595000	1	
118	C TAPPING SCREW 2x3		58595100	1	
119	BIND SCREW 2x4		58585200	1	
120	REVOLUTION SPRING	1865-21-08	58595300	1	
200	TAMS SCREW 2x3	9076-00-00	58595400	2	
201	FINE SCREW 2x10	9995-00-00	58595500	2	
202					
203	CAMERA SCREW 2x2.5	9562-00-00	58595600	4	
204	CAMERA SCREW 2x8.5	9896-00-00	58595700	6	
205	POLYSLIDER WASHER CUT 1.2x3x0.25	9421-00-00	58595800	5	
206		9999-20-01	58595900	2	
207	C TAPPING SCREW 2x3	9001-00-00	58596000	1	
208					
209	POLYSLIDER WASHER CUT 2.1x5x0.4	9744-00-00	58596100	2	
210	C TAPPING SCREW 2x5	9181-00-00	58596200	2	
211	E RING S2.0	9502-00-00	58596300	4	
212	P TAPPING SCREW 2x6	9674-00-00	58596400	2	
213	CAMERE SCREW 2x3	9562-00-00	58596500	2	
214	CAMERA SCREW 2x1.5	9554-00-00	58596600		
215	E RING S1.5 (SPECIAL BLACK)	9486-00-00	58596700	1	
216	CAMERA SCREW 2x3.5	9561-00-00	58596800	3	
217	CAMERA SCREW 2x2.5	9566-00-00	58596900	2	
218	E RING S1.5 (SPECIAL)	9497-00-00	58597000	1	
219	SCREW 2x3	9002-00-00	58597100	4	
220	CAMERA SCREW 2x8	9987-00-00	58597200	2	
221	POLYSLIDER WASHER W2.2x3.8x0.5	9789-00-00	58597300	2	
222	NYLON WASHER 2.1x3.5x0.5	9857-00-00	58597400	2	
223	WIRE	6602-37-01		1	
224		9114-00-00	58597600	1	
225	DAMPER SP	1865-02-13	58597700	1	

DECK MECHANICAL PARTS (TN 29F)

NO.	DESCRIPTION	SPECIFICATION	STOCK NO.	Q'TY	REMARK
1	MAIN BASE ASS'Y	1821-01-01	58597800	1	
2	SWITCH PLATE	1821-01-06		1	
3	PUSH BUTTON ACTUATOR ASS'Y	1829-01-501		1	
4	REC BUTTON LEVEL	1829-01-03		1	
5	PLAY BUTTON LEVER	1829-01-04		1	
6	RWD BUTTON LEVER	1829-01-05		1	
7	FF BUTTON LEVER	1829-01-06		1	
8	STOP BUTTON LEVER	1829-01-07		1	
9	PAUSE BUTTON LEVER ASS'Y	1829-01-502		1	
10	RWD LEVER	1821-01-14	58598700	1	
11	PAUSE LEVER	1821-01-15	58598800	1	
12	PAUSE LEVER SPRING	1821-01-18	58598900	1	
13	PAUSE STOPPER	1821-01-34	58599000	1	
14	BUTTON LEVER SPRING (C)	1821-01-23	58599100	1	
15	BUTTON LEVER SPRING (D)	1821-01-37	58599200	1	
16	P.R. STOPPER	1829-01-10	58599300	1	
17	BUTTON LEVER SPRING (A)	1821-01-07	58599400	1	
18	ACTUATOR SPRING	1821-01-22	58599500	1	
19	AUTO LEVER	1821-01-20		1	
20	AUTO LEVER SPRING	1821-01-21	58599700	1	
21	A.L. SCREW	1867-01-23	58599800	1	
22	LEAF SWITCH	LSA-1115R	58599900	1	
23	PLAY SENSING PIECE	1829-01-09	58600000	1	
24					
25	HEAD PANEL ASS'Y	1229-03-602		1	
26	HEAD BASE	1829-03-02	58600200	1	
27	SENSING PLATE ASS'Y	1829-03-301	58600300	1	
28	HEAD PANEL SPRING	1821-03-04	58600400	1	
29	SPRING	1821-03-07	58600500	1	
30	E.H. SPRING	1821-03-08	58600600	1	
31					
32	PINCH ROLLER ASS'Y	1829-04-301	58600700	1	
33	PINCH ROLLER SPRING	1821-04-02	58600800	1	
34	RF PULLEY ARM ASS'Y	1829-07-301	58600900	1	
35	RF PULLEY ARM SPRING	1829-07-07	58601000	1	
36	RF BELT	1829-07-08	58601100	1	
37	RF ARM COLLAR SCREW	1867-04-13	58601200	1	
38	FLY WHEEL ASS'Y	1829-09-301	58601300	1	

NO.	DESCRIPTION	SPECIFICATION	STOCK NO.	QTY	REMARK
39					
40	REEL BASE ASS'Y	1829-10-601		1	
41	TAKE-UP GEAR PLATE ASS'Y	1829-10-602		1	
42	TAKE-UP ROLLER GEAR	1867-03-10	58601600	1	
43	TG. PLATE SPRING	1821-10-08	58601700	1	
44	FF GEAR	1867-03-09	58601800	1	
45	SPRING	1821-10-13	58601900	1	
46	SUPPLY REEL ASS'Y	1829-10-303	58602000	1	
47	TAKE-UP REEL ASS'Y	1829-10-302	58602100	1	
48	RECORD SAFETY LEVER	1800-02-01	58602200	1	
49	PACK SPRING	1829-10-01	58602300	1	
50	SPRING	1821-10-12	58602400	1	
51					
52	MOTOR BRACKET	1829-12-01		1	
53	MOTOR RUBBER	1820-13-06	58602600	3	
54	MOTOR COLLAR SCREW	1821-12-02	58602700	3	
55	MOTOR PULLEY	1821-12-32	58602800	1	
56	MAIN BELT	1700-10-10	58602900	1	
57	LEAF SW	MSW-0005 NBK	58603000	1	
58					
59	EJECT SLIDE LEVER	1821-13-04	58603100	1	
60	EJECT SLIDE LEVER SPRING	1821-13-02	58603200	1	
61	PM. SCREW	1821-13-05	58603300	1	
62					
63	FLAME	1829-31-01		1	
64	OPERATION LEVER	1829-31-02	58603500	6	
65	BUTTON LEVER SHAFT	1829-31-03		1	
66					
67	SUB CHASSIS ASS'Y	1829-39-601		1	
68	M. TRIGGER ARM ASS'Y	1829-39-502		1	
69	M.T.A COLLAR	1829-39-15	58603900	1	
70	MAIN GEAR SPRING	1829-39-05	58604000	1	
71	RECORD FUNCTION ARM (A)	1829-39-06		1	
72	RECORD SENSOR	1829-39-09		1	
73	RECORD SENSOR COLLAR	1829-39-11	58604300	1	
74	RECORD SENSOR SPRING	1829-39-10	58604400	1	
75	RECORD FUNCTION ARM (B)	1829-39-07	58604500	1	
76	RECORD SPRING	1829-39-13	58604600	1	
77	RECORD ARM (B) SPRING	1829-39-12	58604700	1	

NO.	DESCRIPTION	SPECIFICATION	STOCK NO.	Q'TY	REMARK
78	RECORD ARM (A) SPRING	1829-39-08	58604800	1	
79	MAIN GEAR	1829-39-14	58604900	1	
80					
81	MOTOR	SHW 2L	58605000	1	
82	R/P HEAD	RP-7342-CR-0910	58605100	1	
83	E HEAD	E-621-MM-0201	58605200	1	
84					
85					
86					
87	C TAPPING SCREW M2x3	9179-00-00	58605300	1	
88	P TAPPING BIND M2x5	9679-00-00	58605400	6	
89	C TAPPING SCREW M2x6	9181-00-00	58605500	1	
90	LEAF SWITCH	MSW-1664	58605600	2	
91	+ SCREW M2x4	9002-00-00	58605700	1	
92	SCREW M2x7	9920-00-00	58605800	1	
93					
94	⊕ ⊖ CAP SCREW M2x7	9820-00-00	58605900	1	
95	⊕ ⊖ CAP SCREW M2x8	9821-00-00	58606000	2	
96	FH SCREW (FOR CAMERA) M2x7	9566-00-00	58606100	1	
97	SCREW (FOR CAMERA) M2x7	9962-00-00	58606200	2	
98	TAMS SCREW M2x6	9078-00-00	58606300	1	
99	E RING ϕ 2	9502-00-00	58606400	2	
100					
101					
102	P WASHER CUT 1.2x3x0.25	9421-00-00	58606500	2	
103	P WASHER CUT 1.2x3x0.4	9888-00-00	58606600	2	
104	P WASHER CUT 1.55x3.8x0.5	9875-00-00	58606700	1	
105	P WASHER CUT 2.2x3.8x0.4	9788-00-00	58606800	1	



SANSUI ELECTRIC CO., LTD.:

14-1, Izumi 2-chome, Suginami-ku, Tokyo 168 Japan
PHONE: (03) 324-8891/TELEX: 232-2076 (International Division)

SANSUI ELECTRONICS CORPORATION:

1250 Valley Brook Ave. Lyndhurst, N.J. 07071 U.S.A.
17150 South Margay Ave. Carson, California 90746 U.S.A.
3036 Koapaka Street. Honolulu, Hawaii 96819 U.S.A.

SANSUI ELECTRONICS G.M.B.H.:

Paul Ehrlich Strasse 8, 6074 Rödermark 2, West Germany