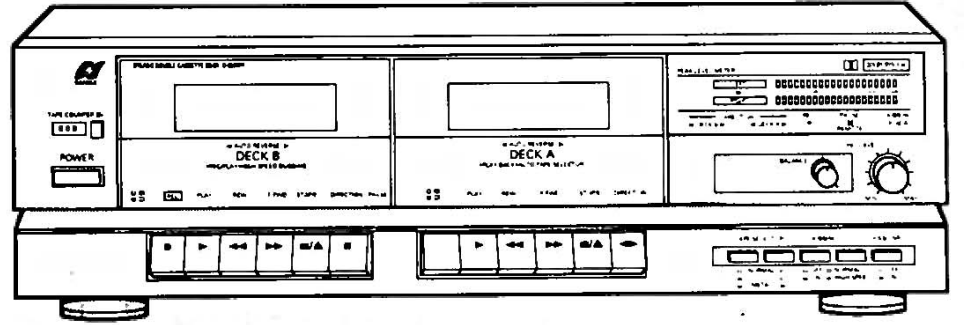




# SERVICE MANUAL

## D-750WR STEREO CASSETTE DECK



### CAUTION

1. Parts identified by the ! symbol on the schematic diagram and the parts list are critical for safety. Use only replacement parts that have critical characteristics recommended by the manufacturer.
2. Make leakage-current or resistance measurements to determine that exposed parts are acceptably insulated from the supply circuit before returning the appliance to the customer.

### NOTICE

1. The symbols UL, CSA, SS and XX <EXPORT> on the parts list and the schematic diagram mean followings respectively.

UL . . . . . Manufactured for U.S.A. market.  
(Underwriters Laboratories approved model.)  
CSA . . . . . Manufactured for Canadian market.  
SS . . . . . Manufactured for Saudi Arabian market.  
XX . . . . . Standard Version.

<EXPORT>  
NON MARK . . . . . Common Parts.

2. Some printed circuit boards are not supplied assembled. To separate these in this service manual, the part numbers are not indicated for these boards. However, part numbers for individual parts are indicated.
3. Since some capacitors and resistors are omitted from parts lists in this service manual, refer to the Common Parts List for capacitors and resistors, which was issued on June 1987.

4. Abbreviations in this service manual are as follows:

#### Abbreviations' List

C.R. : Carbon Resistor	E.B.L. : Low Leak Bi-Polar Electrolytic Capacitor
S.R. : Solid Resistor	Ta.C. : Tantalum Capacitor
Ce.R. : Cement Resistor	F.C. : Film Capacitor
M.R. : Metal Film Resistor	M.P. : Metalized Paper Capacitor
F.R. : Fusing Resistor	P.C. : Polystyrene Capacitor
N.I.R. : Non-Inflammable Resistor	M.M.C. : Metalized Mylar Capacitor
A.R. : Array Resistor	A.C. : Array Capacitor
C.C. : Ceramic Capacitor	V.R. : Variable Resistor
C.T. : Ceramic Capacitor, Temperature Compensation	S.V.R. : Semi-Variable Resistor
E.C. : Electrolytic Capacitor	SW. : Switch
E.L. : Low Leak Electrolytic Capacitor	S.C. : Styrol Capacitor
E.B. : Bi-Polar Electrolytic Capacitor	

## Specifications

Track format . . . . . 4-track/2-channel system  
Tape speed . . . . . 4.75 cm/sec.  
Wow/flutter . . . . . 0.15% max. (WRMS)  
Fast forwarding (rewinding) time . . . . . Approx. 170 sec.  
(for C-60 tape)

Frequency response  
Normal tape (LH) . . . . . 125 to 12,500Hz ± 4dB

Signal-to-noise ratio  
DOLBY NR ON . . . . . Better than 50dB

Input sensitivity  
LINE IN (REC) . . . . . 100 mV

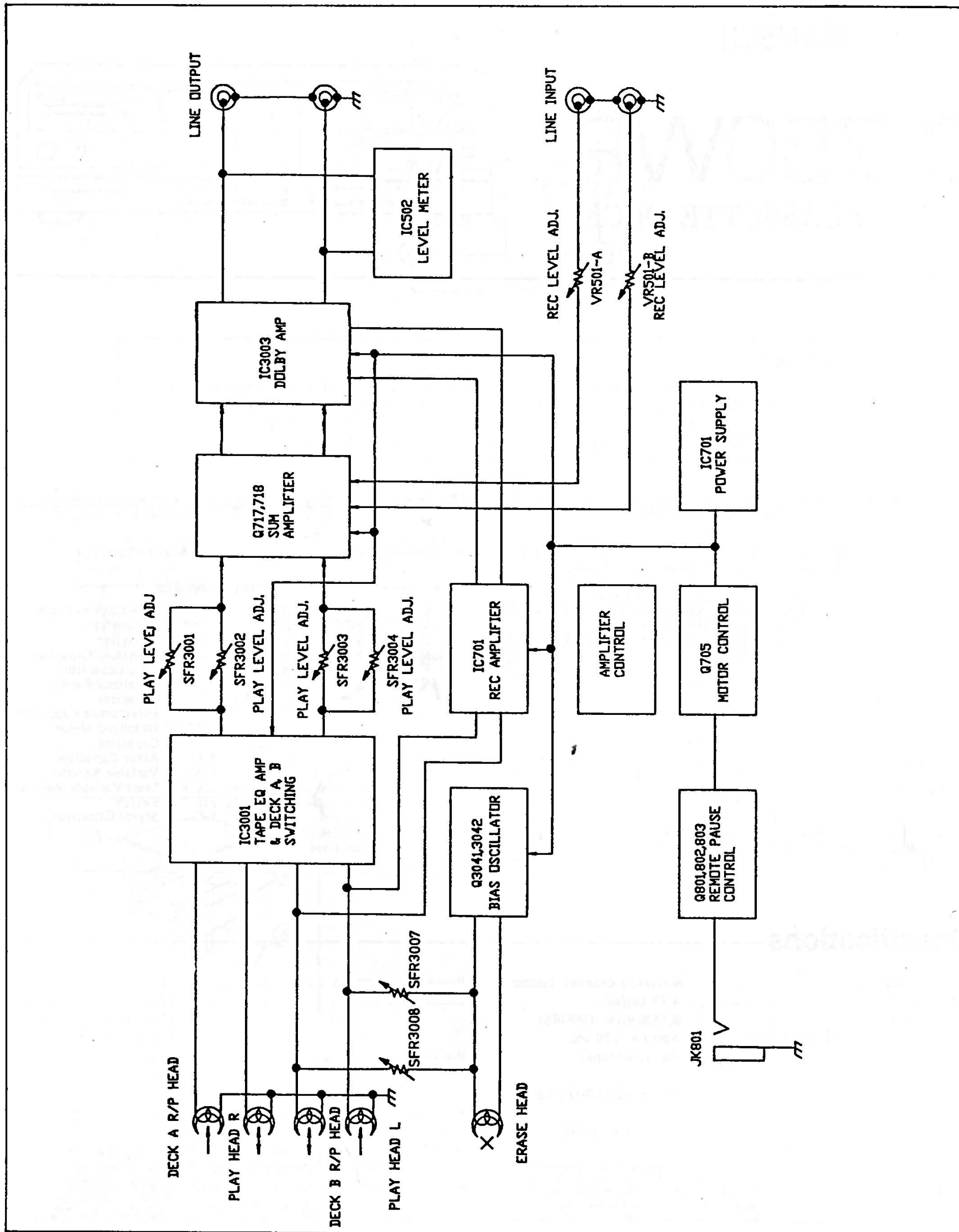
Power requirements . . . . . 120/220-240V  
(50/60 Hz)

For U.S.A. and Canada . . . . . 120V (60 Hz)  
European . . . . . 220/240V (50 Hz)  
Asia . . . . . 120/230V (50/60 Hz)

Power consumption . . . . . 15 watts  
Dimensions . . . . . 430 mm (16-15/16") W  
134 mm (5-3/4") H  
215 mm (8-1/2") D  
Weight . . . . . 4 kgs (8.8 lbs) net

- Design and specifications subject to changes without notice for improvements.
- Due to local laws and regulations, this unit sold in some areas are not equipped with variable voltage selectors.
- Dolby noise reduction manufactured under license from Dolby Laboratories Licensing Corporation. "DOLBY", the double-D symbol (DD) are trade marks of Dolby Laboratories Licensing Corporation.

# 1. BLOCK DIAGRAM

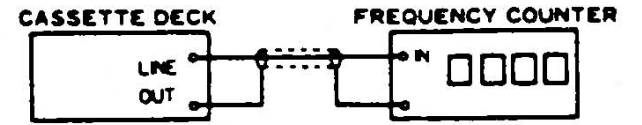


## 2. ADJUSTMENTS (See Fig. 2-5 Adjustment Points on page 4)

### 2-1. Tape Speed Adjustment

- Notes: 1. Use Sansui Test Tape, SCT-S3K.  
(3 kHz signals are recorded on the tape).  
2. Connections are shown in Fig. 2-1.

Fig. 2-1



#### (1) Normal Speed Adjustment

STEP	SUBJECT	MEASURE OUTPUT	SETTING	ADJUSTMENT	ADJUST FOR	REMARKS
1	Normal Speed Adj.	LINE OUT. Frequency Counter	Playback the TEST TAPE SCT-S3K. B Side Mecha.	Turn the SFR3009 on the Main Board. (See Fig. 2-5)	3090Hz - 2940Hz	

#### (2) High Speed Adjustment

- Notes: 1. Set the DUBBING switch . . . . . ON  
2. Set the NORMAL/HIGH switch . . . . . HIGH

STEP	SUBJECT	MEASURE OUTPUT	SETTING	ADJUSTMENT	ADJUST FOR	REMARKS
1	High Speed Adj.	LINE OUT. Frequency Counter	1. Short between Test Point TP3010 and TP3011 (See Fig. 2-5) 2. Play Back the TEST TAPE SCT-3SK. A Side Mecha.	Turn the SFR3010 on the Main Board. (See Fig. 2-5)	5562Hz - 5292Hz	

### 2-2. Playback Adjustment

- Notes: 1. Before this adjustment, clean REC/P.B. head surface.  
2. For this adjustment, use Sansui Test Tape, SCT-F10K, and SCT-L400N.  
3. Set the Dolby NR switch to OFF.  
4. Connections are shown in Fig. 2-2.

Fig. 2-2

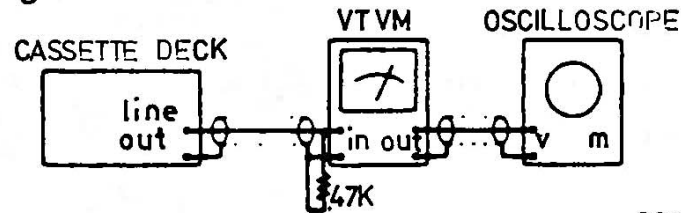
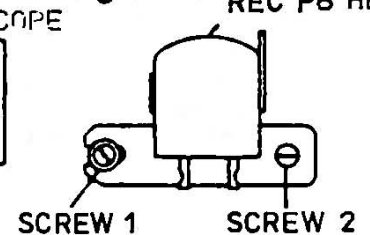


Fig. 2-3A



#### (1) a-Side Mecha. Adjustment

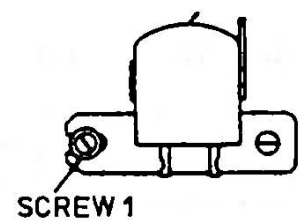
STEP	SUBJECT	MEASURE OUTPUT	SETTING	ADJUSTMENT	ADJUST FOR	REMARKS
1	P.B. Head Adj.	LINE OUT VTVM and Scope	Playback the TEST TAPE SCT-F10K (Forward)	Adjust the Azimuth Adjusting Screw 2 in Fig. 2-3A.	Max. Output Both Channels.	After This Adjustment, Lock the Screw with Paint.
2	P.B. Head Adj.	LINE OUT VTVM and Scope	Playback the TEST TAPE SCT-F10K (Reverse)	Adjust the Azimuth Adjusting Screw 1 in Fig. 2-3A.	Max. Output Both Channels.	After This Adjustment, Lock the Screw with Paint.
3	Playback Level Adj.	Same as Above.	Playback the TEST TAPE SCT-L400N	Adjust Each SFR3001 (L) and SFR3002 (R), Main Board.	548mV ± 1dB	See Fig. 2-5.

#### (2) b-Side Mecha. Adjustment

STEP	SUBJECT	MEASURE OUTPUT	SETTING	ADJUSTMENT	ADJUST FOR	REMARKS
1	REC/P.B. Head Adj.	LINE OUT VTVM and Scope.	Playback the TEST TAPE SCT-F10K (Reverse)	Adjust the Azimuth Adjusting Screw 1 in Fig. 2-3B.	Max. Output Both Channels.	After This Adjustment, Lock the Screw with Paint.
2	Playback Level Adj.	Same as Above.	Playback the TEST TAPE SCT-L400N.	Adjust Each SFR3003 (L) and SFR3004 (R), Main Board.	548mV ± 1dB	See Fig. 2-5.

### 2-3. Bias Adjustment

- Notes: 1. For, this adjustment, use Sansui Test Tape, SCT-MA.  
2. Set the Dolby NR switch . . . . . OFF  
3. REC LEVEL volume . . . . . Max.  
4. Connections are shown in Fig. 2-1.



STEP	SUBJECT	MEASURE OUTPUT	SETTING	ADJUSTMENT	ADJUST FOR	REMARKS
1	Bias Frequency Adj.	Between Point A of CN3004 and GND Frequency Counter.	1. Load the TEST TAPE SCT-MA. 2. Push the REC and PLAY Button.	Turn the Core of L3007 (Main Board).	140kHz ± 3kHz	See Fig. 2-5.

## 2-4. TRAP Coil Adjustment

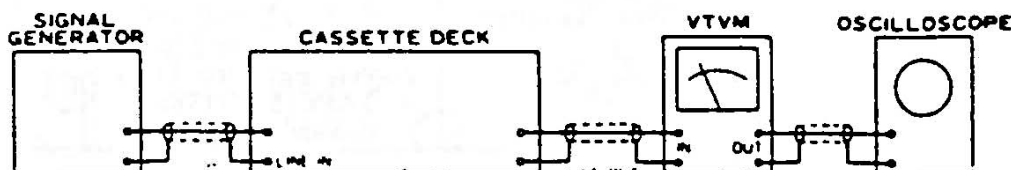
Notes: 1. Connections are shown Fig. 2-2.  
2. Use Sansui Test Tape SCT-SA.

STEP	SUBJECT	MEASURE OUTPUT	SETTING	ADJUSTMENT	ADJUST FOR	REMARKS
1	Trap Coil Adj.	Between Test Point TP3003 and TP3005 L-CH, Test Point TP3004 and TP3005 R-CH. Volt Meter and Scope.	1. Load the TEST TAPE SCT-SA. 2. Push the REC and PLAY Button.	Turn the Core of L3005 L-CH, L3006 R-CH. (Main Board)	Min. Output Both Channels.	See Fig. 2-5

## 2-5. Frequency Response Adjustment < b-Side Mecha. Only >

Notes: 1. Connections are shown in Fig. 2-4.  
2. Set the Dolby NR switch to be OFF.  
3. Use Sansui Test Tape SCT-SA.

Fig. 2-4.



STEP	SUBJECT	INPUT SIGNAL	MEASURE OUTPUT	SETTING	ADJUSTMENT	REMARKS
1	Frequency Response Adj.	Feed 1 kHz 54mV and 10 kHz 54mV from S.G. into LINE IN.	LINE OUT VTVM and Scope.	Load the TEST TAPE SCT-SA. 1. Record the 1 kHz and 10kHz Signals from S.G. 2. Playback the 1 kHz 10kHz Signals Then Confirm 10kHz Signal Level in Less Than 1 kHz Signal Level $\pm 2$ dB on VTVM.	1. If Not, Adjust SFR3007(L) and SFR3008(R), Main Board Slightly Until the 10kHz Signal Level in Less Than 1 kHz Signal Level $\pm 2$ dB on VTVM.	See Fig. 2-5

## 2-6. Peak Level Meter Adjustment < a-Side Mecha. Only >

Notes: 1. Set the REC LEVEL volume to be Max. position.  
2. Use Sansui Test Tape SCT-L400.

STEP	SUBJECT	MEASURE OUTPUT	SETTING	ADJUSTMENT	ADJUST FOR	REMARKS
1	Peak Level Meter Adj.	Peak Level Meter	Playback the TEST TAPE SCT-L400	Adjust Each VR701 L-CH and VR702 R-CH. (Main Board)	Lighten the 4th LED (+3dB) of Peak Level Meter.	See Fig. 2-5

## 2-7. Filter Adjustment < b-Side Mecha. Only >

Notes: 1. Set the REC LEVEL volume to be Max. position.  
2. Connections are shown in Fig. 2-4.

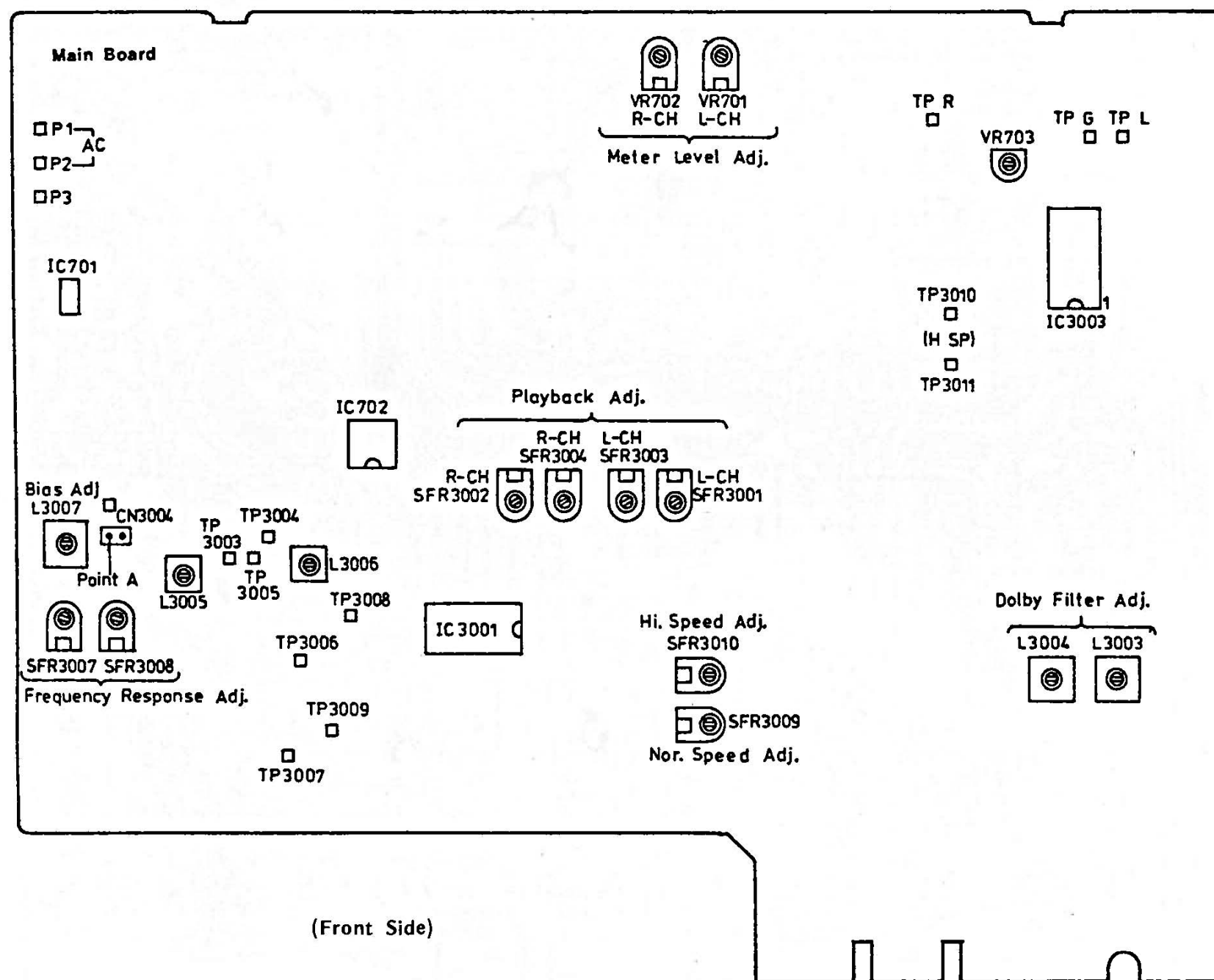
STEP	SUBJECT	INPUT SIGNAL	MEASURE OUTPUT	SETTING	ADJUSTMENT	REMARKS
1	19kHz Filter Adj.	Feed 19kHz from Audio S.G. into LINE IN.	LINE OUT VTVM and Scope.	Push the REC and PLAY Button.	Turn the core of L3003 L-CH and L3004 R-CH. Min. Output Both Channels.	See Fig. 2-5

◆ List of Sansui Test Tape

Name of TEST TAPE	Recorded Frequency	Description	Equivalent To
SCT-F40	40 Hz	Playback Frequency Response Check	—
SCT-F1K	1 kHz	High Frequency Equalization Check	—
SCT-F10K	10 kHz	REC/PB Head Adjustment	—
SCT-L400N	400 Hz	Playback Level and Indicator Level Adjustment	—
SCT-S3K	3 kHz	Speed Check and Wow & Flutter Check	—
*SCT-AD (NORMAL)	—	Recording Bias Adjustment	TDK AD
*SCT-SA (HIGH)	—	REC/PB Level Adjustment	TDK SA
*SCT-MA (METAL)	—	Frequency Response Check	TDK MA

Note: Some reference tapes marked \* are not supplied.  
As these are equivalent to ones indicated above, please obtain these blank tapes on your side as possible.

Fig. 2-5. Adjustment Points on Main Board

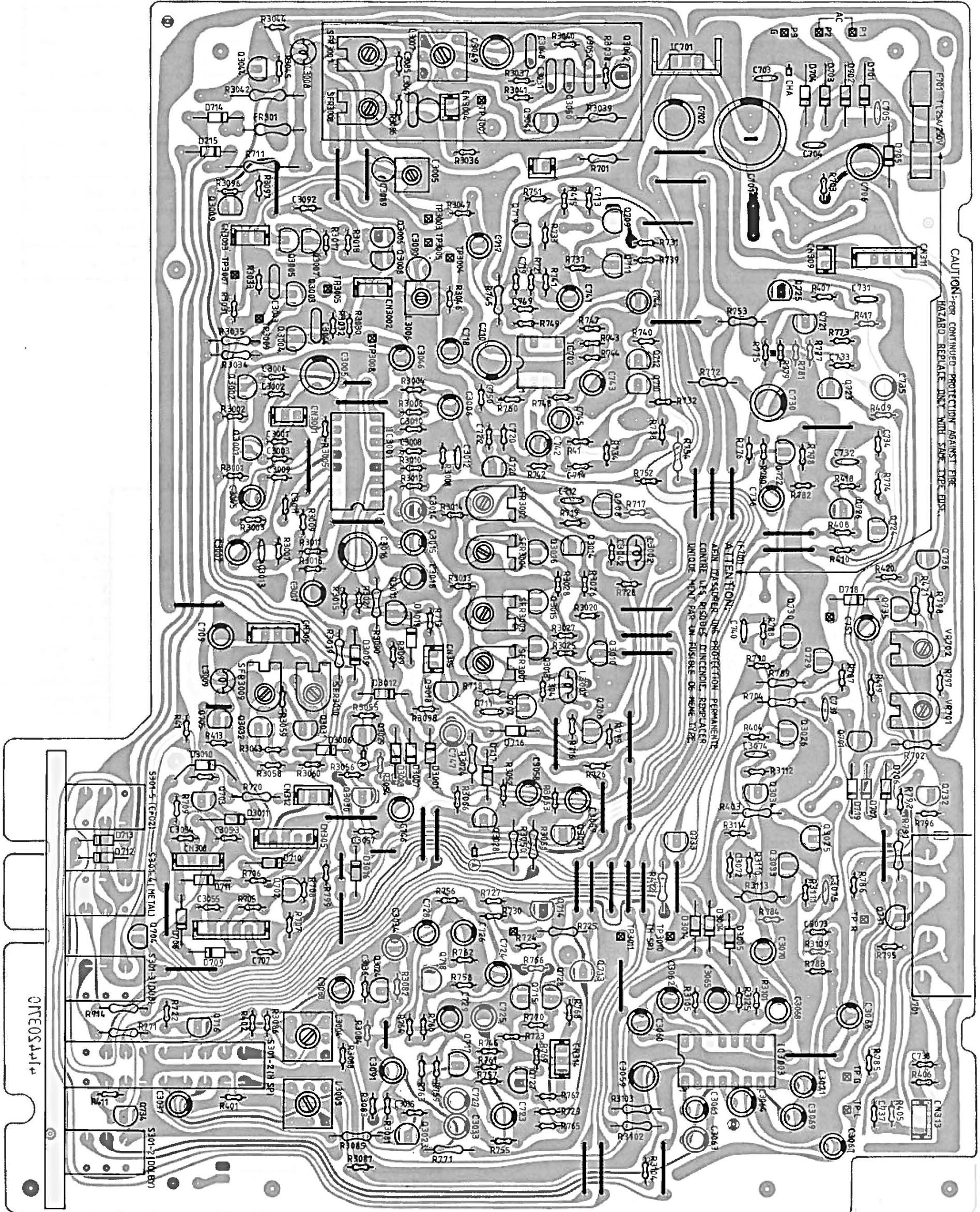


(Front Side)

### 3. PARTS LOCATION ON BOARD

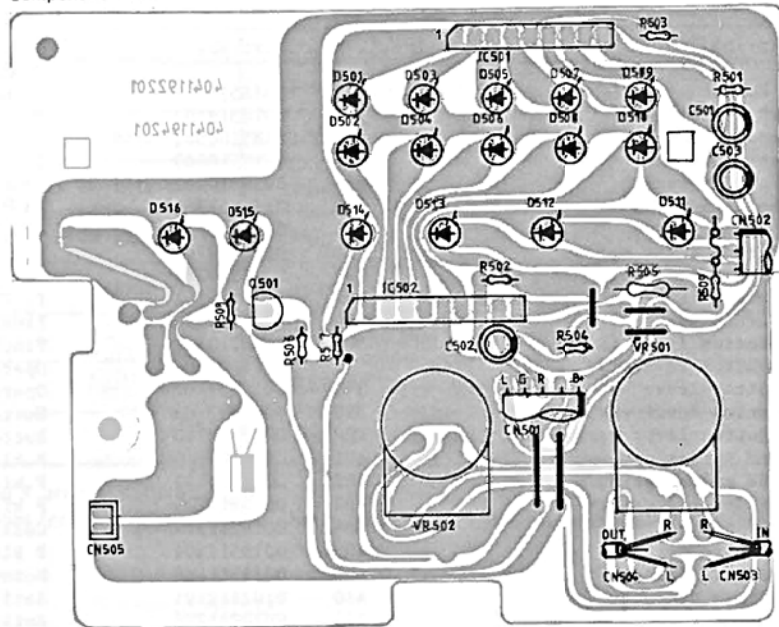
#### 3-1. Main Board

Component Side



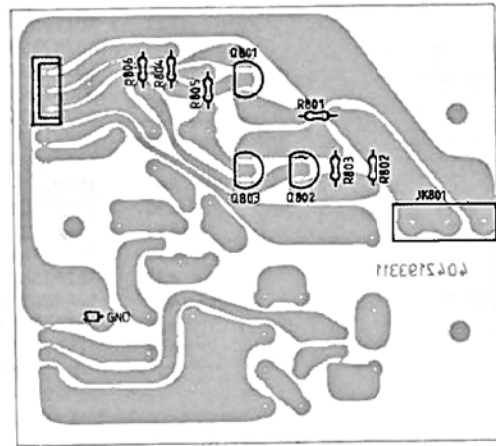
3-2. Level Control & Display Board

Component Side



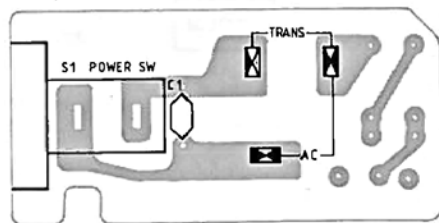
3-3. Remote Control Board

Component Side



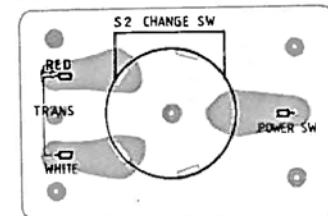
3-4. Power SW. Board

Component Side



3-5. Change SW. Board (SS, XX)

Component Side



4. PARTS LIST OF BOARD

4-1. Main Board (Part No. C144182412)

Ref. No.	Part No.	Description
• Transistors		
Q701	410020945P,Q	2SC945P,Q
Q703	410020945P,Q	2SC945P,Q
Q704	410000733P,Q	2SA733P,Q
Q705	410000952L	2SA952L
Q706-716	410020945P,Q	2SC945P,Q
Q717, 718	410021842E,F	2SC1842E,F
Q719-732	410020945P,Q	2SC945P,Q
Q733	410000733P,Q	2SA733P,Q
Q734-736	410020945P,Q	2SC945P,Q
Q3001-3008	410020945P,Q	2SC945P,Q
Q3009	410000733P,Q	2SA733P,Q
Q3010, 3011	410020945P,Q	2SC945P,Q
Q3013-3016	410020945P,Q	2SC945P,Q
Q3018	410020945P,Q	2SC945P,Q
Q3025-3028	410020945P,Q	2SC945P,Q
Q3029-3031	410020945P,Q	2SC945P,Q
Q3032-3034	410020945P,Q	2SC945P,Q
Q3041, 3042	410022001L	2SC2001L
• Integrated circuit		
△ IC701	415907812C or 4157078123	L7812CV MC7812CT
IC702	415904558A	NJM4558DA
IC3001	415307784P	TA7784P
IC3002	415C011010	CXA1101
• Diode		
D3001	4120141480	1N4148
D3004-3014	4120141480	1N4148
D3016	4120141480	1N4148
D3019	4120141480	1N4148
△ D701-705	4138104002	1N4002
D706-709	4120141480	1N4148
D712-717	4120141480	1N4148
D719	4120141480	1N4148
L3001, 3002	4329210311	Inductance 10mH "K"
L3003, 3004	4160400051	Dolby MPX filter TWS-358-356
L3005, 3006	4360900520	Bias trap coil TWS-358-533
L3007	4330801710	Bias oscillator coil TWS-358-654
L3008, 3009	4328247186	Motor choke 470uH "K"
sFR701, 702	5221082567	200K ohm S. V. R., Metal Level Adj.
sFR3001, 3002	5221085409	50K ohm S. V. R., Play Level Adj.
sFR3003, 3004	5221082436	20K ohm S. V. R., Play Level Adj.
sFR3007, 3008	5221085409	50K ohm S. V. R., REC Bias Level
sFR3009, 3010	5221081495	10K ohm S. V. R., Motor Speed Adj.
sW301	4403500563	Push SW SPUN53A 203-CP
J701	4500800242	4P RCA jack
△ FR301	4180215057	15 1/2W F. R.

Ref. No.	Part No.	Description
C707	7308622345	.022uF/25V C. C.
C713, 714	7307822215	.0022uF/50V C. C.
C719, 720	7306568115	680pF/50V C. C.
C721, 722	7306533115	330pF/50V C. C.
C733, 734	7306568115	680pF/50V C. C.
C737, 738	7306522115	220pF/50V C. C.
C749, 750	7306915015	150pF/50V C. C.
C3001, 3002	7306539115	390pF/50V C. C.
C3003, 3004	7306956055	56pF/50V C. C.
C3008-3011	7306568115	680pF/50V C. C.
C3041, 3042	7306512115	120pF/50V C. C.
C3047	5091562521	.0056uF 200V P. C.
C3053-3055	7308622345	.022uF/25V C. C.
C3072, 3073	7306582115	820pF/50V C. C.
C3085, 3086	7306522115	220pF/50V C. C.
C3089, 3090	5144101511	100pF/50V S. C.

4-2. Power SW. Board

Ref. No.	Part No.	Description
△ S1	4430102450	Power SW SDDL81017U-CP
△ C1	5106472141	.0047uF/400V Spark "L"

4-3. Level Control & Display Board (Part No. C041192200)

Ref. No.	Part No.	Description
• Transistor		
Q501, 502	410020945P,Q	2SC945P,Q
• Integrated Circuit		
IC501, 502	4159061240	BA6124
• LED		
D501-506	4120638134	SEL3813A Level Meter
D507-511	412063813C	SEL3813C Level Meter
D512	4120638134	SEL3813A Level Meter
D513	412063213C	SEL3213C Level Meter
D514-515	4120632134	SEL3213A Deck REW. IND.
VR501	5020254135	50K ohm V. R., REC Level Control
VR502	5020115136	100K ohm V. R., REC Level Balance
△ R509	4180210057	10 ohm 1/2W F. R.

4-4. Remote Control Board (Part No. C0421193310)

Ref. No.	Part No.	Description
• Transistors		
Q801-803	410020945P,Q	2SC945P,Q
JK801	4500100240	Phono Jack 3.5φ CPT-35025

4-5. Change SW. Board (XX, SS)

Ref. No.	Part No.	Description
△ S2	4420131260	Change SW, HXW0131-01-960

5. MAIN PARTS REPLACEMENT (See Exploded of Cabinet on Page 8)

5-1. Mechanism assembly

- (1) Remove 6 screws (M48) to remove the Top cover (M47).
- (2) Remove 5 screws (34a) and remove the Front panel assembly from the Bottom chassis (M38).
- (3) Remove 2 screws (M13a) and remove the Power SW PCB assembly (M12).
- (4) Remove the VR knob (M11) and nut.
- (5) Remove 3 screws (M13b) and remove the Level control & Display PCB assembly (M27).
- (6) Remove the counter belt (M16).
- (7) Press the Stop/Eject button (M23) to open the L and R Cassette doors.
- (8) Remove 6 screws (M13c) and remove the Mechanism assembly from the Front panel (001).

5-2. Cassette door L and R.

- (1) Remove the Mechanism assembly (M25) (Refer to the Mechanism assembly Replacement on the left).
- (2) Remove 4 screws (M13d) and remove the Gear damper (M18).
- (3) Remove the Eject spring (M3).
- (4) Remove the Cassette door L (M1) and R (M2) from the Front panel assembly.

# 6. PARTS LIST OF CABINET & MECHANISM

## 6-1. Cabinet

Ref. No.	Part No.	Description
001	0001079075	Front escutcheon assembly
M1	JS85016500	Cassette door (L)
M2	JS85016600	Cassette door (R)
M3	2007079902	Eject spring
M7	JS27833300	Logo badge (SANSUI 1/2)
M8	1017079902	Mirror
M9	JS85007100	Display window
M10	JS85013300	Power knob
M10	JS85003100	Record balance knob
M11	JS85003000	Record VR knob
M12	-----	Power switch PCB assembly
M15	5390000094	Counter T3SA100-115-794
M16	2024075907	Counter 38 x 0.8 x 0.8
M18	2000001065	Gear damper
M19	IS85005500	Cassette botton-Record
M20	JS85005400	Cassette botton-Play
M20	JS85007400	Cassette Botton-Mode
M21	JS85005900	Cassette button-Rewind
M22	JS85005800	Cassette button-F. F.
M23	JS85005600	Cassette button-Stop/Eject
M24	JS85005700	Cassette button-Pause
M24a	JS85006000	Cassette button-Direction
M25	-----	Cassette mechanism assembly
M27	C041192200	Lever control display PCB assembl
M28	JS85006200	Selector knob
M32	C144182412	Main PCB assembly
M36	C042193310	Remote control PCB assembly
M42	JS85014900	Foot
M43	JS27593800	Foot sheet
M47	1020079902	Top cover
M49	4580200006	Cord stopper SR-4N-6
M50	4631312070	AC cord 7F BLK SPT2 (UL/CSA)
	4630212070	AC cord 6.5F BLK (XX)
	4630212065	AC cord 6.5F BLK (SS)
M51	-----	Change SW PCB assembly (SS, XX)
M52	2000000150	P-rivet 3 x 6.5
T1	4209482241	Power transformer EI-48 (UL/CSA)
	4209481227	Power transformer EI-48 (SS, XX)
S1	4430102450	Push SW, power
S2	4420132160	Change SW, HXW0131-01-960 (SS, XX)
F701	5266125020	Fuse UL/CSA T1.25A/125V (UL/CSA)
	5267125060	Fuse SEMK T1.25A/250V (SS, XX)

## Part List (Mechanism)

Ref. No.	Part No.	Description
30	0019211418	M control spring
34	0018210307	Azimuth spring
35	0192104301	Pinch roller arm assembly
37	0019212604	Sensing lever
38	0192107302	RF clutch assembly
39	0019210703	RF belt (square)
41	0094800000	B3 lug 2.0
44	0192109303	Flywheel assembly
45	0019212605	Gear plate spring
46	0192126502	Gear plate assembly
47	0019212602	Cam gear
49	0018211070	F. F. gear
50	0018211099	Back tension spring
51	0192105306	Supply reel assembly
52	0192105305	Take up reel assembly
53	0019210506	Sensor
55	0018511410	Motor bracket
56	0018201306	Motor rubber
57	0018211202	Motor collar screw
59	0016680801	Main belt (square)
62	0019211302	Eject slide lever
63	0018211069	Record safety lever
64	0018291006	Pack spring
66	4030420188	R/P head MS15R-AA2N1
67	4030320199	E head LE15A-C1
69	0018213107	Operation lever
70	0018293103	Button lever shaft
71	0018213119	Button flame (S)
73	3049052005	P tapping bind screw M2x5
74	3049032045	Camera tapping screw M2x4.5
76	3019062004	C tapping screw M2x4
77	3019272003	+ bind screw M2x3
78	0099220000	Azimuth screw M2x7
79	8931200900	9 (Taptite-B) FLT2009 ZN3A
80	3049042003	C tapping screw M2x3 (special)
81	3019082075	+ - Cap screw M2x7.5
83	3029123803	P washer CUT 1.2x3.8x0.3
84	3029143085	P washer CUT 1.45x3.8x0.5
85	3029203503	P washer 2x3.5x0.3
86	0064010162	Record SW MSW-1275ASNK
87	4400000138	Leaf SW LSA-1115R1
88	0064010138	Leaf SW MSW-1275
89	3049032005	Tapping screw 2x5
90	0018510118	Dir SW bracket
91	3049032004	Tapping screw M2x1
92	4400000076	Leaf SW MSW-1473NBK
93	3019062004	Tapping screw M2x4
94	0019210201	Record arm
95	0019211487	Record arm collar
98	4400000090	Leaf SW MSW-1664
99	8641200500	6 (Taptite-S) BID2005 ZN3A
100	0018213120	Frame bracket
301	0185101303	Chassis assembly
302	0018210115	Pause lever
303	0018210116	Pause lever spring
304	0018291006	Pack spring
306	0018510121	H. W. terminal plate
307	0018650965	Wire clamp
308	0018510404	H. P. collar
309	0018510408	Release plate
310	0018510409	R. C. plate spring
311	0018510438	R. C. spring (M)
312	0018510414	Head panel
313	0018510415	R. C. plate
314	0018510439	Head mount
315	0018510418	Holder
316	0018510444	Pinion gear
317	0018510420	H turn over gear
318	0018510421	Head slide plate
319	0018510424	Head spring plate
320	0018510425	H turn over spring
321	0018510445	H shield plate
322	0018510427	H holder spring
323	0018510428	Pinch roller spring (F)
324	0018510429	Pinch roller spring (R)

## Part List (Mechanism)

Ref. No.	Part No.	Description
325	0018510436	Screw holder
326	0018650259	Azimuth spring (D)
327	4030420190	R/P head YK10R-SS2CO
330	0185112504	Flywheel assembly
332	0018211223	P. K. collar screw (A)
333	0018511417	Main belt (square)
334	0018511703	Eject slide lever
335	0018511702	Eject slide lever spring
337	0185102312	Prog button lever assembly
338	0185102325	Mode button lever assembly
339	018510232T	Play button lever
340	0018510235	F. F. Button lever (R)
341	0018510234	F. F. Button lever (F)
342	018510231T	Stop button lever
343	0018510270	Prog button lever spring
344	0018510269	F. F. Button lever spring
345	0018510227	Pull arm spring
346	0018511606	F. F. SW plate spring
349	0185102321	Lock actuator assembly
350	0018510284	Slide plate
351	0018510276	Lock release spring
352	0018510267	SW actuator spring
353	0185102504	Button base assembly
354	0018510221	Stop button lever spring
355	0018510241	F. F. control arm
356	0018210242	Button lever spring (P)
357	0185102322	SW actuator assembly
358	0018510267	Lock actuator spring
363	0185111301	Reel plate assembly
364	0185111501	Reel assembly
365	0185118303	SUB chassis assembly
366	0018511810	RC arm
367	018511805T	Auto control arm (F)
368	018511806T	Auto control arm (R)
369	0018511807	Control arm collar
372	0018512001	Auto lever (F)
373	0018512003	Auto lever (R) spring
374	0018512005	Spring stopper
375	0018512002	Auto lever (R)
376	0018512004	Auto lever (F) spring
378	0018510303	Turn over arm
379	0018510304	Turn over spring
380	0018511602	F. F. SW plate
381	4400000148	Leaf SW MSW-1290CV
382	0185105302	T gear arm (F) assembly

Ref. No.	Part No.	Description
383	0018510504	T gear arm (F) spring
384	0018510503	T cam gear (F)
385	0185106302	T gear arm (R) assembly
386	0018510603	T gear arm (R) spring
387	0018510602	T cam arm (R)
388	0185107301	F. F. gear arm (F) assembly
389	0018510703	F. F. gear
390	0018510704	F. F. gear arm spring (F)
391	0018510705	F. F. gear arm collar
392	0185108301	F. F. gear arm (R) assembly
394	0185109502	Pinch roller (F) assembly
395	0185110502	Pinch roller (R) assembly
397	0018513104	Operation lever
398	0018213107	Operation lever
399	0018293103	Button lever shaft
400	0018513110	Button flame (S)
401	0018511419	P kick lever (B)
402	0018511413	P kick lever (A)
403	0018211223	P kick collar screw (A3)
404	0018211224	Collar (B)
405	0018511404	P kick lever spring
408	0018511420	Motor pulley
410	0182112101	Anti-vibration felt mat
411	0018211296	Anti-vibration felt mat
412	4020100179	Motor SHU-2L00
415	3049042003	C tapping screw M2x3 (special)
417	3049052006	P Tapping screw M2x6
418	3049251703	Camera S tapping screw M1.7x3
419	3029215005	P washer CUT 2.1x5x0.5
420	3019282004	Two lock screw M2x4
421	3049251704	Camera S tapping screw M1.7x4
422	3019082012	+ - screw M2x12
423	3029203503	P washer 2x3.5x0.3
424	3029213003	P washer 2.1x3x0.3
425	3029144005	P washer CUT 1.45x4x0.5
426	3029123025	P washer CUT 1.2x3x0.25
427	3029123704	P washer CUT 1.2x3.7x0.4
428	3029308513	P washer 3x8.5x0.13
429	3019251785	Camera S tapping screw M1.7x8.5
430	8931200900	9 (Taptite-B) FLT2009 ZN3A
431	3049032005	+ C tapping screw M2x5
432	3029174003	P washer 1.75x4x0.3
433	3029286005	P washer 2.8x6x0.5
434	3049042004	C tapping screw M2x4
436	0011140302	Cord clamp
437	3130000020	E ring S2.0

## 6-2. Mechanism

Ref. No.	Part No.	Description
1	0192114301	Base assembly
2	0019211409	Switch actuator
3	0019211408	Bush button actuator
4	0019211422	Record button lever
5	0019211423	Play button lever
6	0019211424	Rewind button lever
7	0019211425	F. F. button lever
8	0019211426	Stop button lever
9	0019211461	Pause button lever
10	019211413A	P control spring
11	0019211455	Pause button (E)
12	0019211412	Pause lever spring
13	0019211411	Pause stopper
14	0019211414	Button lever spring (A)
15	0019210501	Chassis assembly
16	0019211416	E actuator spring
17	0019211417	P. S. Lever spring
19	0182101159	E kick lever
20	0019211420	PR stopper
21	0019211421	Record button lever spring
22	0019211415	Button lever spring (B)
23	4400000101	Leaf switch MSW-1541T
25	0019210302	Head panel
27	0019210306	Head base
28	0018210308	E. H. spring
29	0019210303	Panel P spring

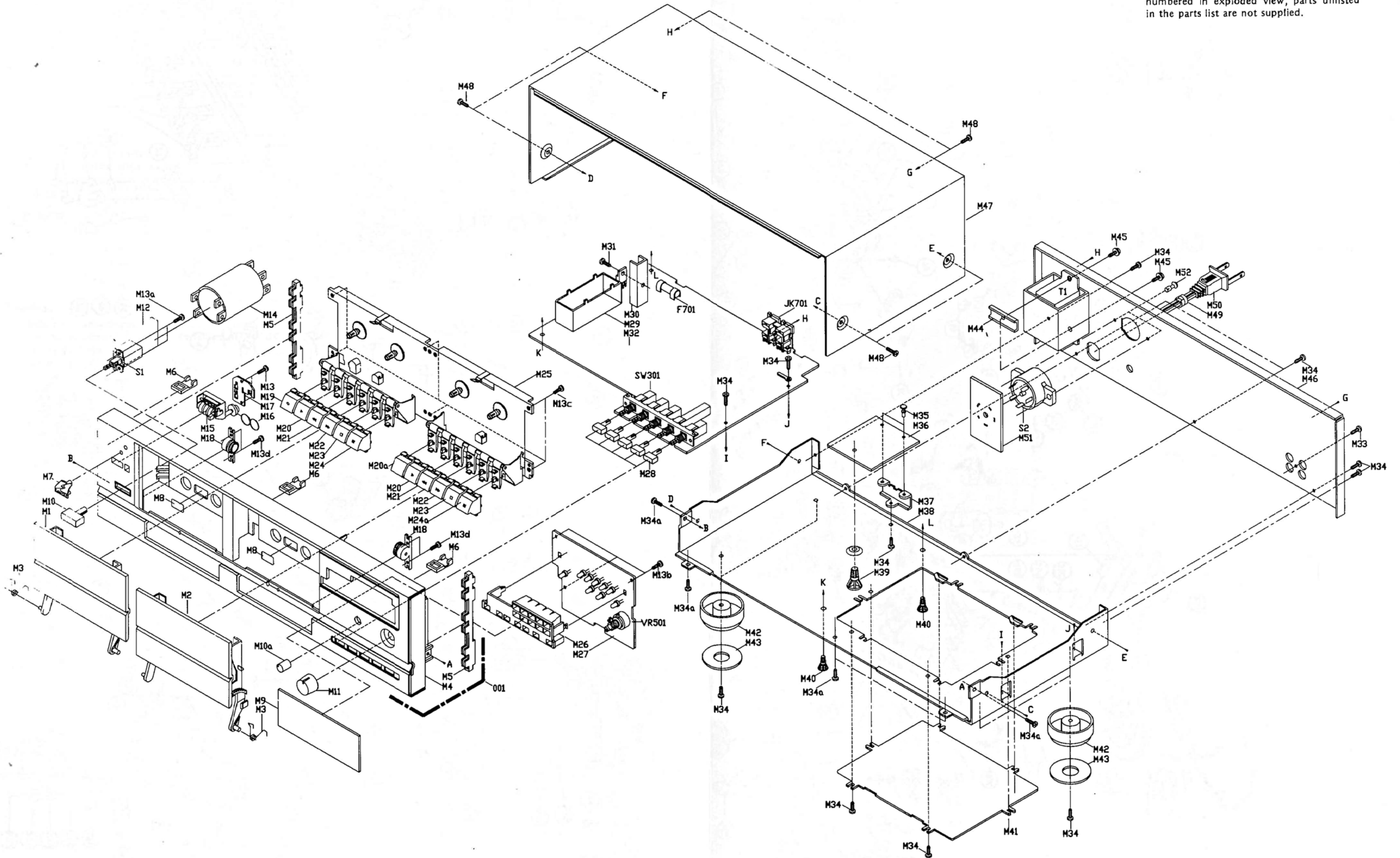
to be continued



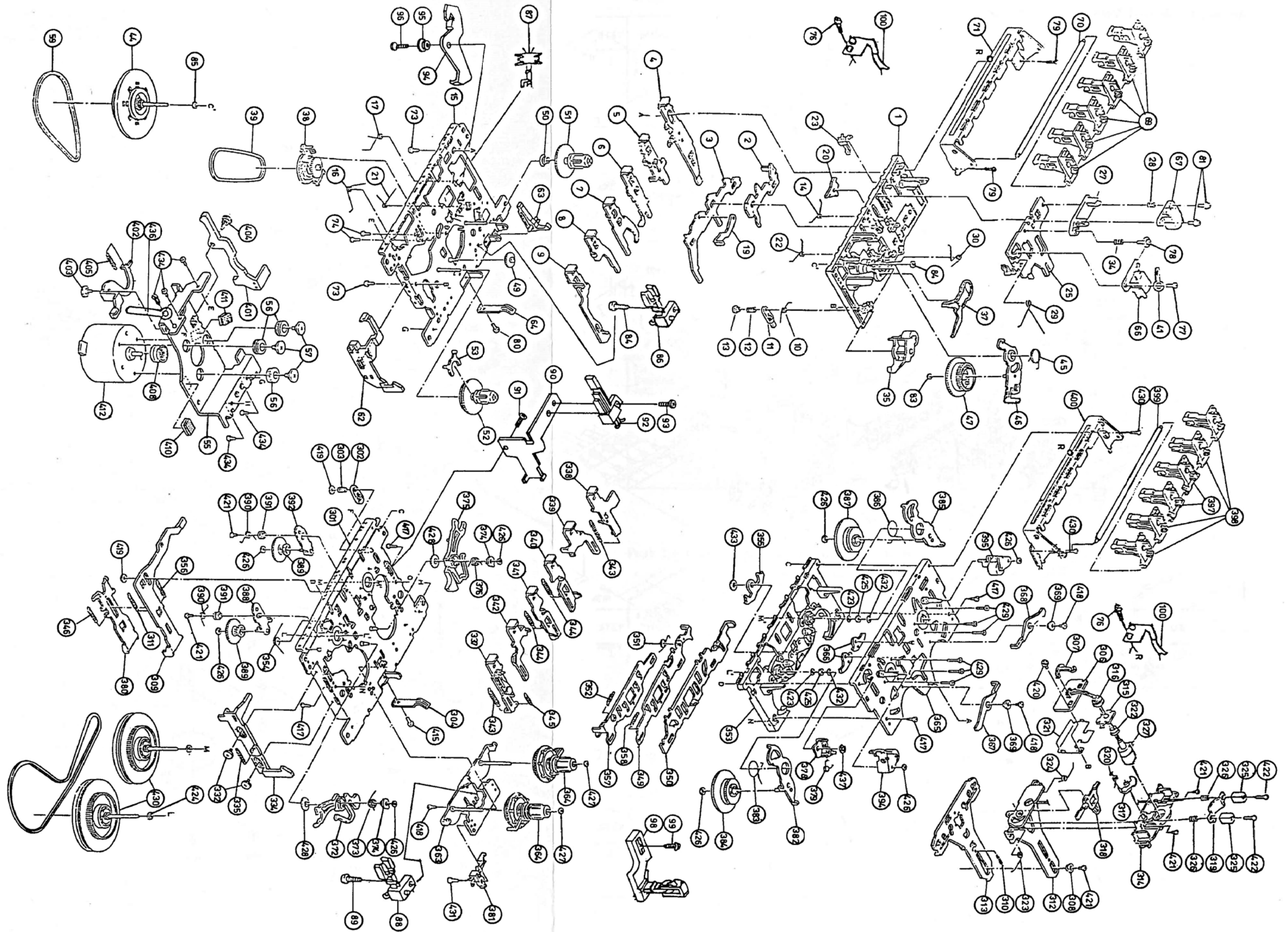
# 7. EXPLODED VIEW OF CABINET & MECHANISM

## 7-1. Cabinet Exploded View

• Though every part included in Cabinet is numbered in exploded view, parts unlisted in the parts list are not supplied.

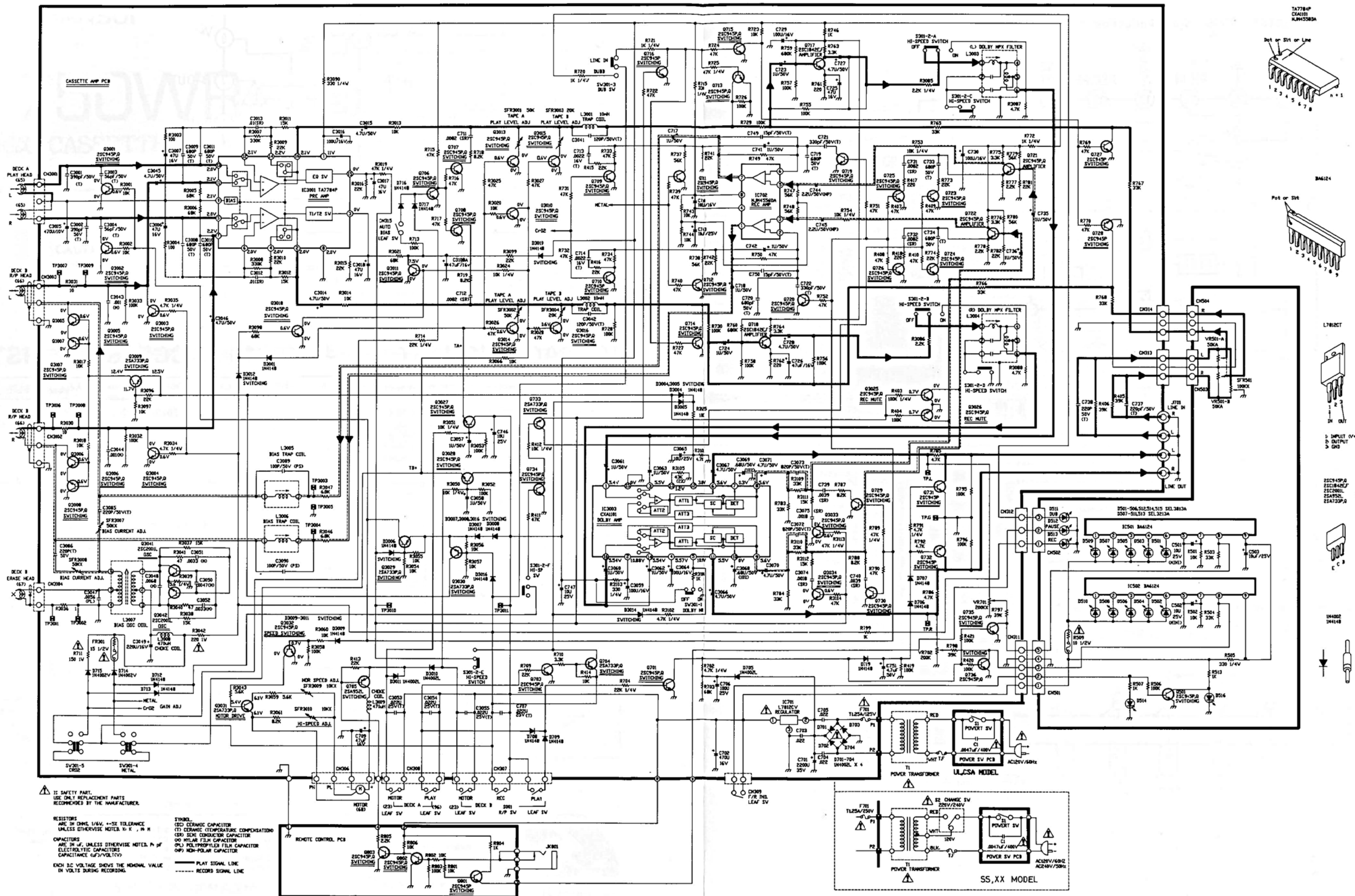


7-2. Mechanism Exploded View



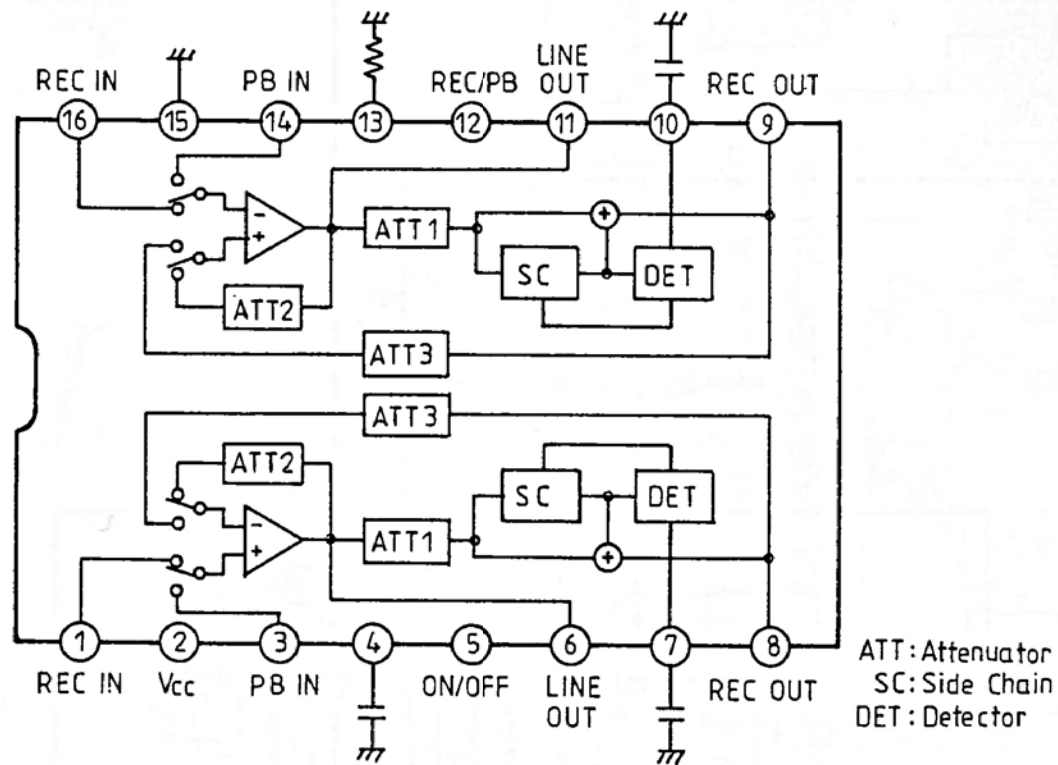
# 8. SCHEMATIC DIAGRAM

• Design and specifications subject to change without notice for improvement.  
 • La présentation et les spécifications sont susceptibles d'être modifiées sans préavis par suites d'améliorations éventuelles.  
 • Änderungen, die dem technischen Fortschritt dienen, bleiben vorbehalten.

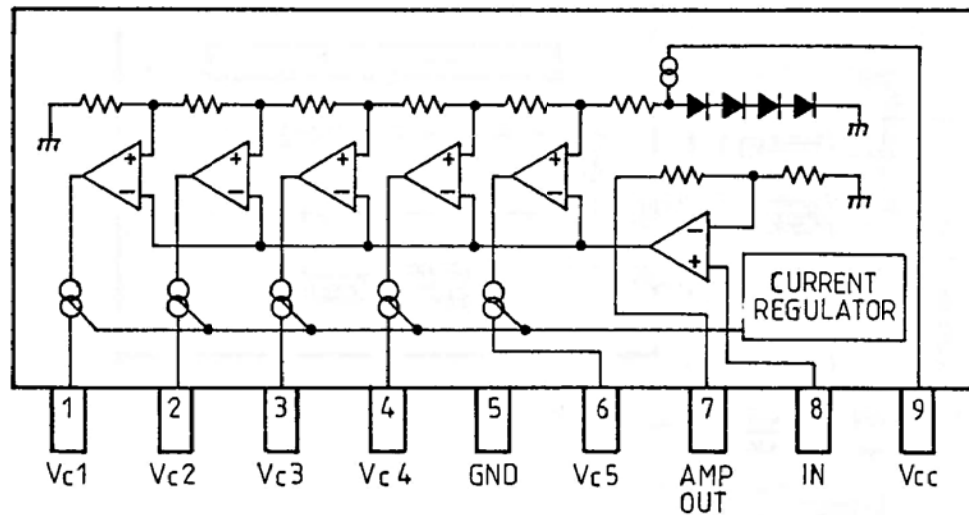


### 9. INTERIOR BLOCK DIAGRAM OF IC

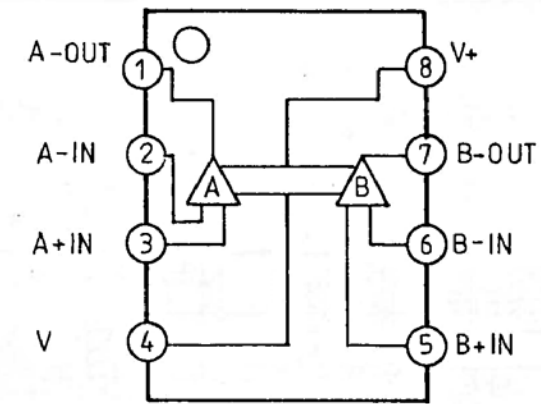
●CXA1101 <Dolby Noise Reduction>



●BA6124 <LED Drive>



●NJM4558DA <OP AMP>

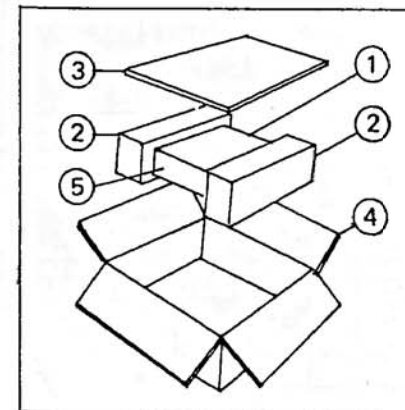


### 10. PACKING LIST

Ref. No.	Part No.	Description
1	9906004546	Poly bag
2	9001079902	Snow box
3	9006079902	Carton plate
4	9001079075	Gift book
5	9004079902	Soft sheet

### 11. ACCESSORY LIST

Ref. No.	Part No.	Description
	5620709501	Patch coard (GRY-950)
	5620060042	3.5# Pulg cable BLK-600
	9080017150	Instruction book



SANSUI ELECTRIC CO., LTD.:

SANSUI USA INC.:

SANSUI DEUTSCHLAND G.M.B.H.:

山水電気株式会社

New River Bldg. 10-14, Shinkawa 1-chome, Chuo-ku, Tokyo 104, Japan  
 PHONE: (03) 5668-1024 / FAX: 03-5668-1027 (International Division)  
 1250 Valley Brook Ave. Lyndhurst, N.J. 07071 U.S.A.  
 17150 South Margay Ave. Carson, California 90748 U.S.A.  
 Paul-Ehrlich-Strasse 8, 8074 Rödermark 2, West Germany

東京都中央区新川1-10-14 (〒104)