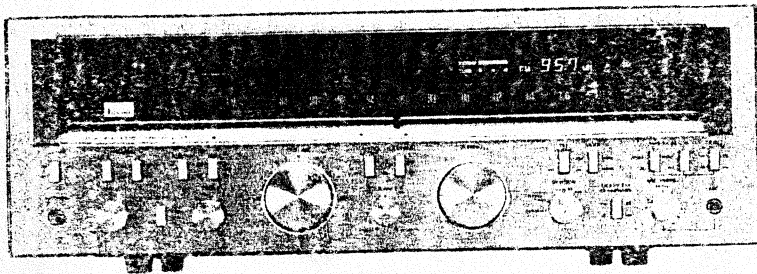


SERVICE MANUAL

PURE POWER DC STEREO RECEIVER

SANSUI G-5700 G-6700 G-7700



SANSUI ELECTRIC CO., LTD.

SPECIFICATIONS

- ◆ Audio section
- <G-5700>
- ◆ Power output
- Min. RMS, both channels driven, from 20 to 20,000 Hz, with no more than 0.03 % total harmonic distortion.
75 watts per channel into 8 ohms
Load impedance 8 ohms
- <G-6700>
- Power output
- Min. RMS, both channels driven, from 20 to 20,000 Hz, with no more than 0.025 % total harmonic distortion.
90 watts per channel into 8 ohms
Load impedance 8 ohms
- <G-7700>
- Power output
- Min. RMS, both channels driven, from 20 to 20,000 Hz, with no more than 0.025 % total harmonic distortion.
120 watts per channel into 8 ohms
Load impedance 8 ohms
- <G-5700/G-6700>
- ◆ Intermodulation distortion (70 Hz : 7 kHz = 4:1 SMPTE method) less than 0.03 % at rated power output
- Frequency response (at 1 watt)
- Overall (from TAPE/AUX)
. 5 to 75,000 Hz, +0.2 dB, -2.0 dB
- Power amplifier section
. DC to 200,000 Hz, +0 dB, -3.0 dB
- <G-7700>
- Intermodulation distortion (70 Hz : 7 kHz = 4:1 SMPTE method) less than 0.025 % at rated power output
- Frequency response (at 1 watt)
- Overall (from TAPE/AUX)
. 5 to 75,000 Hz, +0.2 dB, -2.0 dB
- Power amplifier DC to 200 kHz, +0 dB, -3.0 dB
- <G-5700>
- ◆ Total harmonic distortion
. less than 0.03 % at or below rated min. RMS power output
- Rise time 1.4 μ sec
- Slew rate 56 V/ μ sec
- <G-6700/G-7700>
- Total harmonic distortion
. less than 0.025 % at or below rated min. RMS power output
- Rise time 1.4 μ sec
- Slew rate 60 V/ μ sec
- <G-5700/G-6700>
- ◆ RIAA curve deviation (PHONO, 30 Hz to 15 kHz)
. +0.2 dB, -0.2 dB
- Damping factor (20 Hz to 20 kHz, both channels driven)
. 50 into 8 ohms
- Input sensitivity and impedance (at 1 kHz)
- PHONO 2.5 mV/47 kilohms
(Max. input capability: 210 mV at 1 kHz, less than 0.1 % total harmonic distortion)
- MIC 6 mV/10 kilohms
- TAPE-1, 2 PLAY, TAPE/AUX
. 150 mV/47 kilohms
- Output level (at 1 kHz)
- TAPE-1, 2 REC 150 mV
- Hum and noise (short-circuit, A-network)
- PHONO 78 dB
- TAPE-1, 2 PLAY, TAPE/AUX
. 95 dB
- Channel separation (at 1 kHz)
- PHONO 55 dB
- TAPE-1, 2 PLAY, TAPE/AUX
. 65 dB
- <G-7700>
- RIAA curve deviation (PHONO, 20 Hz to 20 kHz)
. +0.2 dB, -0.2 dB
- Damping factor (20 Hz to 20 kHz, both channels driven)
. 50 into 8 ohms
- Input sensitivity and impedance (at 1 kHz)
- PHONO-1, 2 2.5 mV/47 kilohms
(Max. input capability: 250 mV at 1 kHz, less than 0.1 % total harmonic distortion)
- MIC 6 mV/10 kilohms
- TAPE-1, 2 PLAY, TAPE/AUX
. 150 mV/47 kilohms
- Output level (at 1 kHz)
- TAPE-1, 2 REC 150 mV
- Hum and noise (short-circuit, A-network)
- PHONO-1, 2 78 dB
- TAPE-1, 2 PLAY, TAPE/AUX
. 95 dB
- Channel separation (at 1 kHz)
- PHONO-1, 2 60 dB
- TAPE-1, 2 PLAY, TAPE/AUX
. 65 dB

ifications

<G-5700>

controls
 BASS ± 10 dB at 50 Hz
 TREBLE ± 10 dB at 10 kHz
 SUBSONIC FILTER
 -3 dB at 16 Hz (6 dB/oct)
 LOUDNESS (VOLUME control: -30 dB position)
 8 dB at 50 Hz
 6 dB at 10 kHz
 AUDIO MUTING
 -20 dB

<G-6700/G-7700>

controls
 BASS ± 10 dB at 50 Hz
 TREBLE ± 10 dB at 10 kHz
 SUBSONIC FILTER
 -3 dB at 16 Hz (6 dB/oct)
 HIGH FILTER
 -3 dB at 3 kHz (6 dB/oct)
 LOUDNESS (VOLUME control: -30 dB position)
 8 dB at 50 Hz
 6 dB at 10 kHz
 AUDIO MUTING
 -20 dB

FM section

<G-5700/G-6700>

tuning range 88 to 108 MHz
 Usable sensitivity
 Mono IHF 10.8 dBf (1.9 μ V)
 DIN 1.2 μ V
 Stereo IHF 18 dBf

50 dB quieting sensitivity

Mono 15 dBf
 Stereo 37 dBf

Signal to noise ratio (at 65 dBf)

Mono 75 dB
 Stereo 70 dB

Distortion (at 65 dBf)

Mono less than 0.13 % at 100 Hz
 less than 0.1 % at 1,000 Hz
 less than 0.25 % at 6,000 Hz
 Stereo less than 0.25 % at 100 Hz
 less than 0.15 % at 1,000 Hz
 less than 0.25 % at 6,000 Hz

Alternate channel selectivity (at 400 kHz)

. 50 dB
 Capture ratio 1.0 dB
 Image response ratio 50 dB
 Spurious response ratio 70 dB

IF response ratio 90 dB
 Stereo separation 35 dB at 100 Hz
 40 dB at 1,000 Hz
 28 dB at 10,000 Hz
 Frequency response 30 to 15,000 Hz, +0.5 dB, -1.0 dB
 Antenna input impedance
 300 ohms balanced
 75 ohms unbalanced

<G-7700>

Tuning range 88 to 108 MHz
 Usable sensitivity

Mono IHF 9.8 dBf (1.7 μ V)
 DIN 1.0 μ V
 Stereo IHF 17 dBf

50 dB quieting sensitivity

Mono 14 dBf
 Stereo 36 dBf

Signal to noise ratio (at 65 dBf)

Mono 76 dB
 Stereo 71 dB

Distortion (at 65 dBf)

Mono less than 0.1 % at 100 Hz
 less than 0.1 % at 1,000 Hz
 less than 0.25 % at 6,000 Hz
 Stereo less than 0.23 % at 100 Hz
 less than 0.15 % at 1,000 Hz
 less than 0.23 % at 6,000 Hz

Alternate channel selectivity (at 400 kHz)

. 70 dB
 Capture ratio 1.0 dB
 Image response ratio 70 dB
 Spurious response ratio 90 dB
 IF response ratio 95 dB
 Stereo separation 35 dB at 100 Hz
 42 dB at 1,000 Hz
 30 dB at 10,000 Hz
 25 dB from 30 to 15,000 Hz

Frequency response 30 to 15,000 Hz, +0.5 dB, -1.0 dB

Antenna input impedance

. 300 ohms balanced
 75 ohms unbalanced

AM section

<G-5700/G-6700/G-7700>
 Tuning range 530 to 1,600 kHz
 Usable sensitivity (bar antenna)
 50 dB/m (300 μ V/m)

Selectivity 33 dB
 Signal to noise ratio 46 dB
 Distortion (at 30 % Modulation, 80 dB/m)
 less than 0.5 %

Other:

<G-5700>

Power requirements
 Power voltage 100, 120, 220, 240 V (50/60 Hz)
 For U.S.A. and Canada
 120 V (60 Hz)
 Power consumption
 Rated consumption
 400 watts 450 VA
 Dimensions 465 mm (18-5/16") W
 177 mm (7") H
 405 mm (16") D
 Weight 13.8 kg (30.4 lbs) net
 16.0 kg (35.3 lbs) packed

<G-6700>

Power requirements
 Power voltage 100, 120, 220, 240 V (50/60 Hz)
 For U.S.A. and Canada
 120 V (60 Hz)
 Power consumption
 Rated consumption
 330 watts 420 VA
 Dimensions 505 mm (19-15/16") W
 182 mm (7-3/16") H
 442 mm (16-5/8") D
 Weight 16.1 kg (39.7 lbs) net
 18.4 kg (45.2 lbs) packed

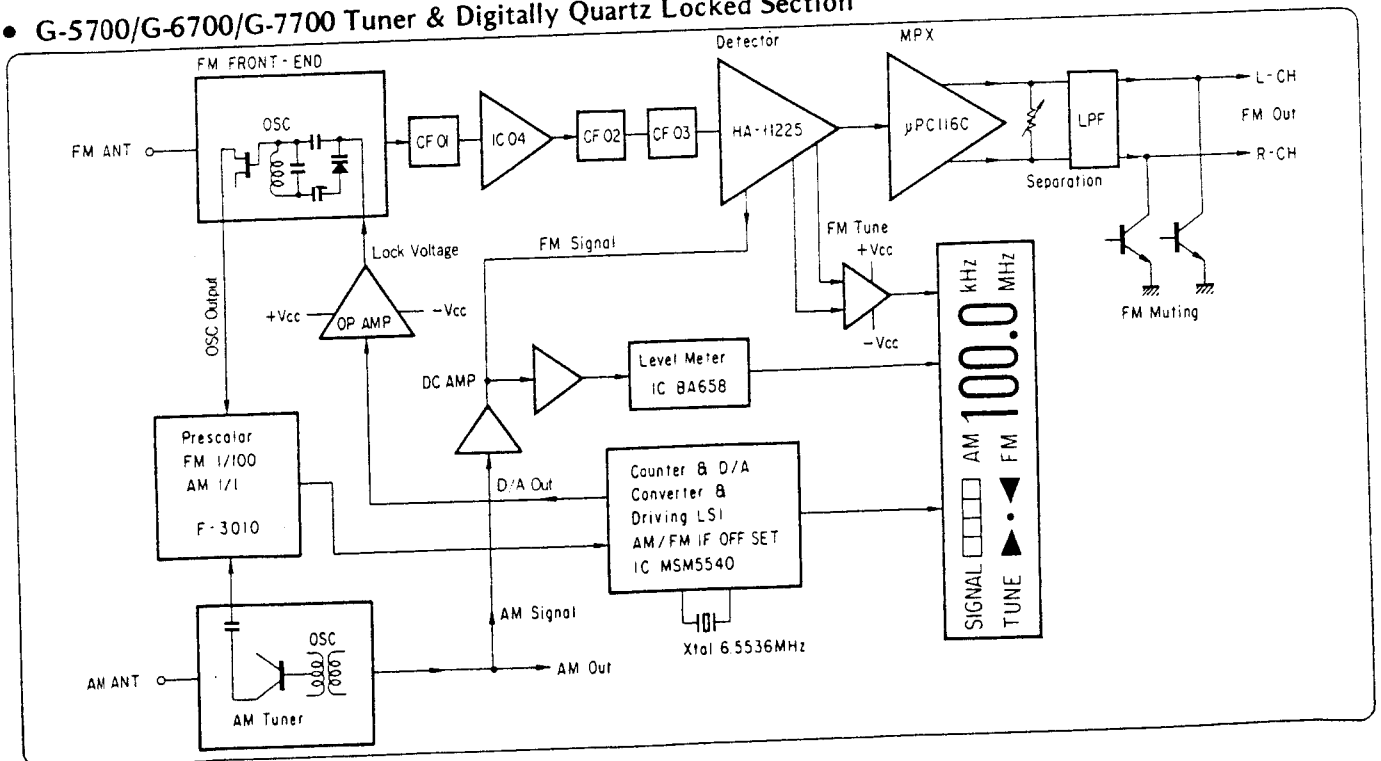
<G-7700>

Power requirements
 Power voltage 100, 120, 220, 240 V (50/60 Hz)
 For U.S.A. and Canada
 120 V (60 Hz)
 Power consumption
 Rated consumption
 430 watts 540 VA
 Dimensions 505 mm (19-15/16") W
 182 mm (7-3/16") H
 422 mm (16-5/8") D
 Weight 18.0 kg (39.7 lbs) net
 20.5 kg (45.2 lbs) packed

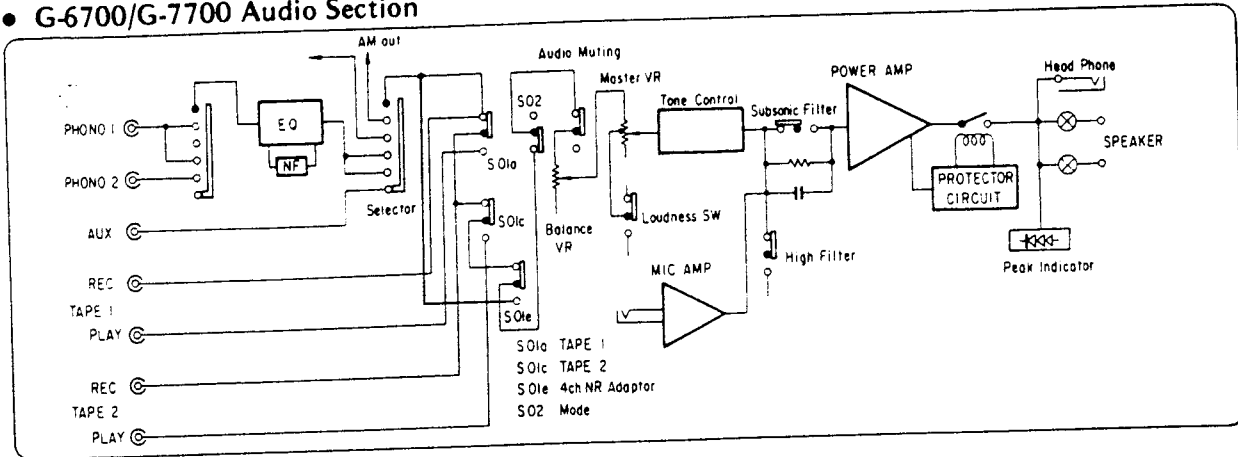
* Design and specifications subject to changes without notice for improvements.

1. BLOCK DIAGRAM

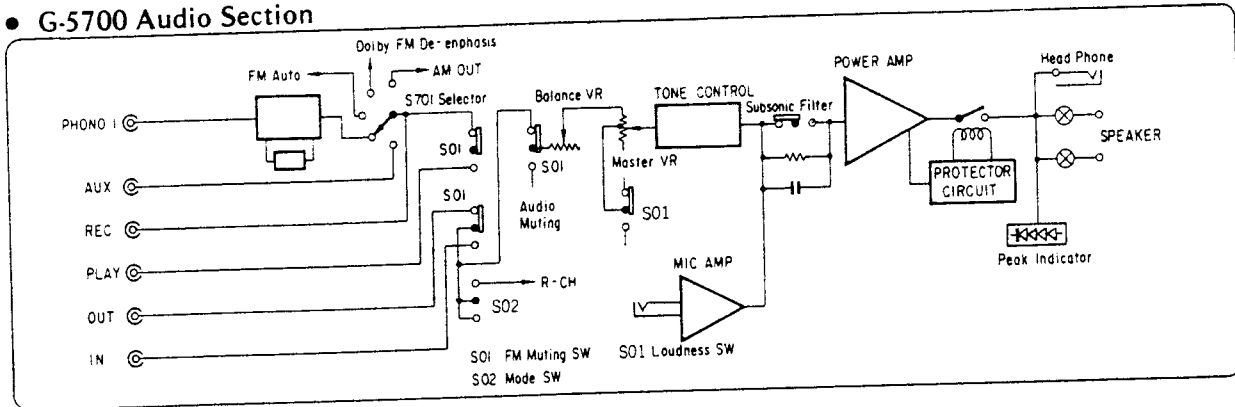
• G-5700/G-6700/G-7700 Tuner & Digitally Quartz Locked Section



● G-6700/G-7700 Audio Section

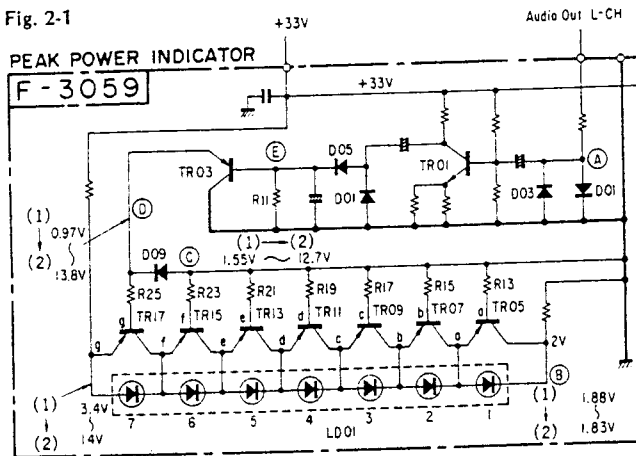


● G-5700 Audio Section



2. OPERATION OF PEAK POWER INDICATOR

Fig. 2-1



Note: (1) In case no LED lighting (2) In case of all LEDs lighting

Fig. 2-2

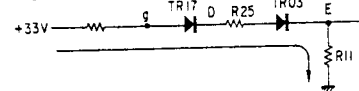
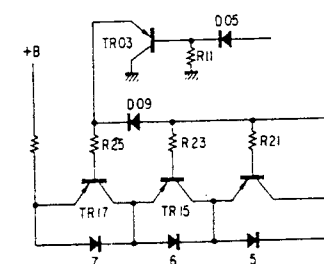


Fig. 2-3



2-1. In case no LED lighting

- 1) TR17, R25, TR03 & R11 on F-3059 regarded as a series circuit and a voltage applied to the circuit. TR17 and TR03 are equivalent to diodes connected in forward direction that a current flows into this circuit as Fig. 2-2.
- 2) TR17 being ON, a voltage is applied to the TR15 emitter and a current flows into a circuit composed of TR17, TR15, R23, D09, TR03, and R11 as Fig. 2-3.
- 3) As the bias voltage added to TR03 is the lowest, during no input signal, the maximum current flows and turn on the transistors from TR17 to TR05.
- 4) When every transistor is ON, a currents flowing LEDs are belittled that LEDs would not shine.

2-2. In case only one LED lighting

- 1) If input signal of about 0.28V (0.01W) is applied from audio-out, this signal is fed to TR03 as a base bias voltage through TR01 and D05. This bias voltage rises to make the current flowing TR03 little when input voltage of point A is increased.
- 2) Input signal being 0.28V, transistors from TR17 to TR07 are ON and only TR05 turns OFF.
- 3) When TR05 becomes OFF, a current flows into LED of No. 1 and this LED starts lighting.

2-3. In case from two to seven LEDs lighting

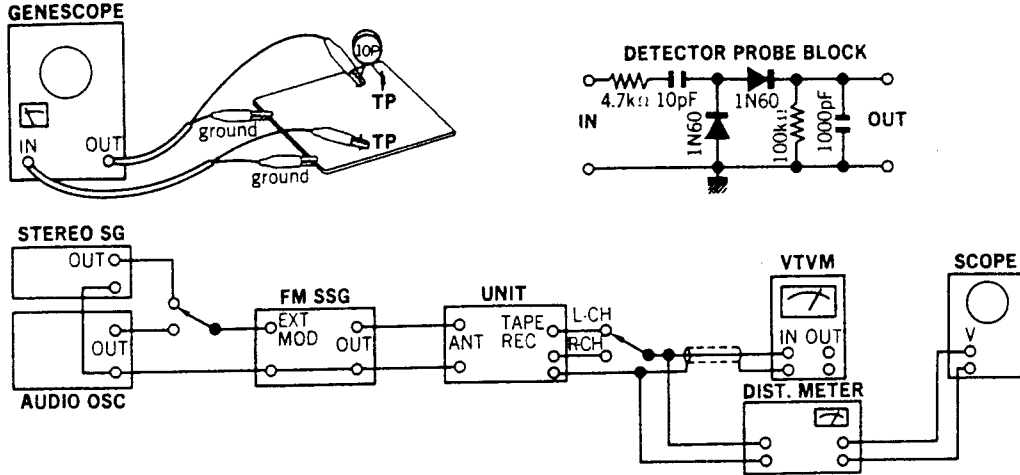
In the same function as 2-2, transistors TR05, 07, 09 turn OFF successively and all LEDs start lighting. The LED at center is always lighting to be supplied a voltage.

B. ADJUSTMENTS

FM Adjustment (See Top View on Page 10 & 11)

- Note: 1. Selector FM MONO
 2. FM Muting Switch OFF

3. Connection Connect the output of genescope to TP through 100 pF ceramic capacitor.



(1) FM IF, RF Adjustment and Dial Calibration

* Before making adjustments of steps 2 ~ 5, run the unit for more than 2 minutes and make the dial pointer go round on the dial scale at once by tuning knob.

STEP	SUBJECT	FEED SIGNAL		MEASURE OUTPUT	ADJUST	ADJUST FOR	REMARKS
		FROM	TO				
1.	IF Coil	Output 90 dB Genescope	TC03 (Front-end)	TP01 Use Detector Probe	T1 (Front-end)	Max. IF waveform	
2.	Discriminator Coil In case of using Genescope	Output 80 dB Genescope	TC03 (Front-end)	TP02	T01 F-2988 T02 F-2988	Steep linearity of S curve Make symmetrical S curve	
	Discriminator Coil In case of using Dist meter	98 MHz ANT Input 65 dBf (59.8 dB) 1000 Hz (100% MOD) FM SSG	ANT terminal 300Ω	REC OUT L or R-CH Dist Meter VTVM & Scope	T01, T02 F-2988 IFT01 (Front-end)	Min THD	
3.	Tune Indicator Adj.	Receive the nearest FM station		Between Terminal 42 & 43 of F-2988 DC Volt Meter	T02 F-2988	DC 0V ±0.2V	
4.	AFC Voltage Adj.	Same as above		07 Terminal of F-2988 & Front-end DC Volt Meter	VR03 F-3000	DC 7V	Note: Steps 4 & 5 should be performed after confirming that the look indicator does not become luminous when shorting ground and collector of TR15 & base of TR17 on F-3000
5.	98 MHz Dial Calibration	No Input		Dial Pointer	Tuning knob	98 MHz	
		Same as above		Indicator of Display unit	TC06 (Front-end)	98 MHz	
6.	98 MHz RF Adj.	98 MHz ANT Input Minimum value with sine wave 1000 Hz (100% MOD) FM SSG	Same as above	Same as above	<G-5700/6700> TC03, TC04 <G-7700> TC03, TC04, TC05 (Front-end)	Max. Output	
7.	Signal Indicator Volume	98 MHz ANT Input 65 dBf (59.8 dB) 1000 Hz (100% MOD) FM SSG	Same as above		VR01 F-3000	Make every 8 lamps lighting	
		No ANT Input			VR01 F-3000	Make only one lamp lighting	

Note: Confirm the Dial Calibration on the frequencies of 90 MHz & 106 MHz in step 5.

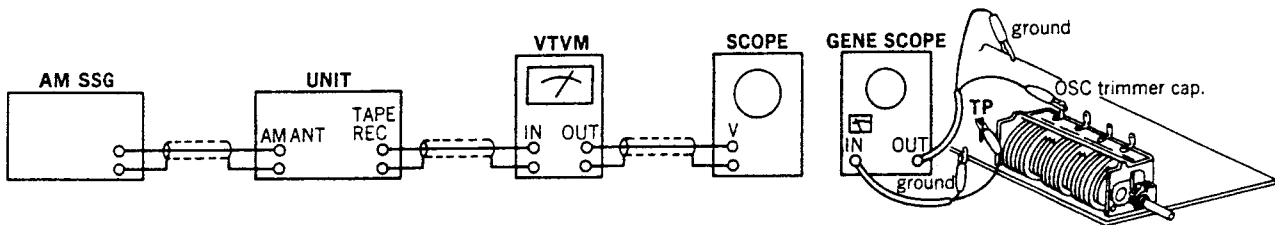
(2) FM STEREO Adjustment

Note: Selector FM AUTO

STEP	SUBJECT	FEED SIGNAL		MEASURE OUTPUT	ADJUST	ADJUST FOR	REMARKS
		FROM	TO				
1.	PLL VCO Adj.	98 MHz ANT Input 65 dBf (59.8 dB) FM SSG Pilot 19 kHz (9% MOD) R (or L) Mode 1 kHz + Pilot (100% MOD) STEREO SG	ANT terminal 300Ω	Stereo indicator	VR03 F-2988	Light indicator	Adjust the VR within center of lighting level.
	PLL VCO Adj. In case of using Freq.	98 MHz ANT Input 65 dBf (59.8 dB) FM SSG (No MOD)	Same as above	No. 18 terminal F-2988 Use Freq. counter	VR03 F-2988	19 kHz ± 50 Hz	
2.	Separation	98 MHz ANT Input 65 dBf (59.8 dB) FM SSG Pilot 19 kHz (9% MOD) R Mode 1 kHz + Pilot (100% MOD) STEREO SG	Same as above	OUT L-CH VTVM & Scope	VR02 F-2988	OUT -40 dB	Confirm separation L-CH → R-CH (-40 dB)
3.	Muting level	98 MHz ANT Input 15 dBf (9.8 dB) FM SSG Pilot 19 kHz (9% MOD) SUB 1 kHz + Pilot (100% MOD) STEREO SG	Same as above	Stereo indicator	VR01 F-2988	Muting level 15 dBf (9.8 dB) indicator turns ON	FM MUTING Switch ON

2. AM IF Adjustment & Dial Calibration (See Top View on 10 & 11 Page)

Note: 1. Selector AM



STEP	SUBJECT	FEED SIGNAL		MEASURE OUTPUT	ADJUST	ADJUST FOR	REMARKS
		FROM	TO				
1.	IF Coil	Genescope Output 70 dB	TC01 (Front-end)	TP03 F-2988	T04, T05 F-2988	Max. Output	
2.	600 kHz Dial Calibration	No Input		Dial Pointer	Tuning knob	600 kHz	
		Same as above		Indication of digital display unit	T03 F-2988	600 kHz	
	1400 kHz Dial Calibration	Same as above		Dial Pointer	Tuning knob	1400 kHz	
		Same as above		Indication of digital display unit	TC01 (Front-end)	1400 kHz	
3.	600 kHz RF Adj.	600 kHz ANT Input 50 dB 400 Hz (MOD 30%) AM SSG	Same as above	Same as above	Bar Antenna L701	Same as above	
	1400 kHz RF Adj.	1400 kHz ANT Input 50 dB 400 Hz (MOD 30%) AM SSG	Same as above	Same as above	TC02 (Front-end)	Same as above	
4.	Signal Meter volume	1000 kHz ANT Input 80 dB 400 Hz (MOD 30%) AM SSG	Same as above	Signal indicator lamp	VR02 F-3000	Make every 8 lamps lighting	
		No Input	Same as above	Same as above	VR02 F-3000	Make only one lamp lighting	
5.	9 kHz Knotch filter Adj.	9 kHz 5 mV OSC	TP03 F-2988	OUT L or R-CH VTVM & Scope	T06 F-2988	Min. Output	

3. Driver Circuit Board Adjustments <G-5700/G-6700/G-7700> (See Top View on Page 10 & 11)

Note: 1. Master Volume Minimum
 2. Room Temperature 18°C ~ 28°C (65°F ~ 83°F)

3. For adjustment, run the unit for more than 3 minutes after the power is switched on.

STEP	SUBJECT	MEASURE OUTPUT	ADJUST	ADJUST FOR	REMARKS
1.	DC 0V Adj. L-CH	Speaker terminal (L-CH)	VR01 (L-CH) F-2980	DC 0V ± 5 mV	Before turning ON power switch, set VR01 & VR02 to center position.
2.	DC 0V Adj. R-CH	Speaker terminal (R-CH)	VR02 (R-CH) F-2980		
3.	Bias Current Adj. L-CH	<G-5700/G-6700> Between terminal 85 & Point A (See Top View on Page 10) <G-7700> Between terminal 89 & 87 of F-2980 (Between A & B) (See Top View on Page 11)	VR03 F-2980	DC 5V ± 1 mV	<ul style="list-style-type: none"> Before turning ON power switch, turn VR03 & VR04 fully counter-clockwise. This bias current adjustment converts current value into voltage by Ohms law.
4.	Bias Current Adj. R-CH	<G-5700/G-6700> Between terminal 86 & Point B (See Top View on Page 10) <G-7700> Between terminal 90 & 88 of F-2980 (Between C & D) (See Top View on Page 11)	VR04 F-2980		

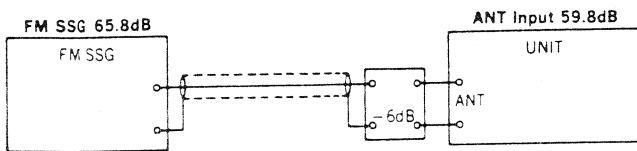
● NEW MEASUREMENT FOR FM.

Input signal level under the provision of IHFM-T-200, a new measurement method is indicated by available power ratio "dBf". To obtain approximate available power ratio "dBf", abstract 0.8 from attenuator indication of general FMMSG (open load indication type); however, the former measurement, IHFM-T-100 is designated together too.

The way of modulation of IHFM-T-200 is shown below.

	modulation frequency	modulation mode	modulation factor
FM MONO	1000 Hz		100%
FM STEREO	1000 Hz	SUB	Pilot 9% Pilot + SUB 100%

● The relation between the standard input 65 dBf of IHFM-T-200 and the former indication "dB" is shown below.



● Intermediate frequency of AM Section (See Figs. 3-1 & 3-2).

Since the band pass filter of both 450 kHz type and 455 kHz type are adaptable to the IF stage of these models, pay attention for inserting position of jumper wire and a diode for setting the IF OFFSET ROM value when replacement.

Fig. 3-1.

Intermediate frequency	Stock No. of IF filter, T05 on F-2988	Inserting Position of jumper wire on F-3000	Inserting Position of Diode on F-3000
450 kHz	0910490	X	D23
455 kHz	4230680	Z	D21, D24

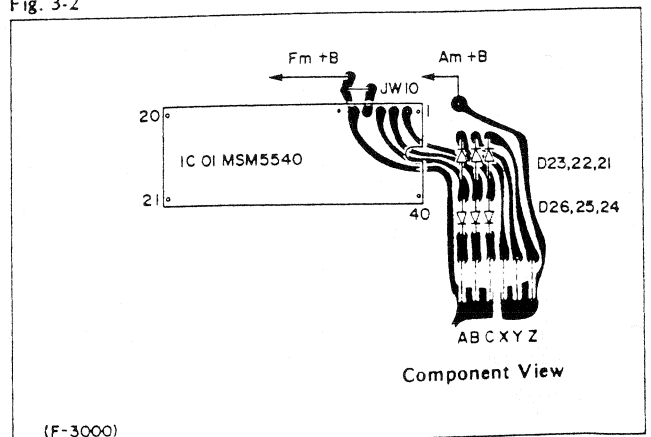
● Selection of Intermediate Frequencies (FM) (Refer to parts location F-3000 on page 9)

The digital locking point differs with the frequency rank of the ceramic filter used in the F-2988. When the central frequency (shown by a color) of the ceramic filter is changed, the following connection must be made by using jumper wires:

- Unify the color marks of the FM ceramic filters (CF 01 ~ CF 04) on the F-2988 with the same color.
- Select the joints A, B, and C of F-3000 according to color marks as shown in the following table:

Colouring	Intermediate frequency	Connecting Position of Jumper wire on F-3000				Connecting Position of Diode on F-3000			
		A	B	C	Jumper wire Total Qty	D26	D25	D24	Diode Total Qty
Black	10.64MHz			●	1			●	1
Brown	10.66MHz		●		1		●		1
Blue	10.68MHz		●	●	2		●	●	2
Red	10.70MHz	●			1	●			1
Orange	10.72MHz	●		●	2	●		●	2
Gray	10.74MHz	●	●		2	●	●		2
White	10.76MHz	●	●	●	3	●	●	●	3

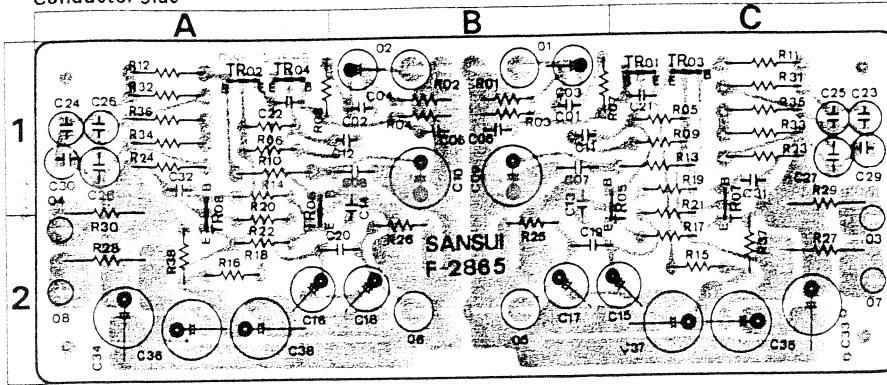
Fig. 3-2



4. PARTS LOCATION & PARTS LIST

4-1. F-2865 Equalizer Circuit Board (Stock No. 7551551 = G-5700/G-6700) (Stock No. 7551541 = G-7700)

Conductor Side



Parts List <G-5700/G-6700>

Parts No.	Stock No.	Description	Position
●Transistor			
TR01, 02	0300900, 1	2SA906 (G), (H)	1C, 1A
TR07, 08	0306740, 1	2SC1845 F, E	1, 2C, 1, 2A
C 25, 26	0620121	120pF 50V P.C.	1C, 1A
R 11, 12	0231101	100Ω 1/2W M.R.	1C, 1A

Parts No.	Stock No.	Description	Position
R 13, 14	0231471	470Ω 1/2W M.R.	1C, 1A
R 23, 24	0210472	4.7kΩ 1/2W N.I.R.	1C, 1A
R 27	0210101	100Ω 1/2W N.I.R.	2C
R 29	0210101	100Ω 1/2W N.I.R.	1C
R 31, 32	0231223	22kΩ 1/2W M.R.	1C, 1A
R 33, 34	0231473	47kΩ 1/2W M.R.	1C, 1A
R 35, 36	0231274	270kΩ 1/2W M.R.	1C, 1A

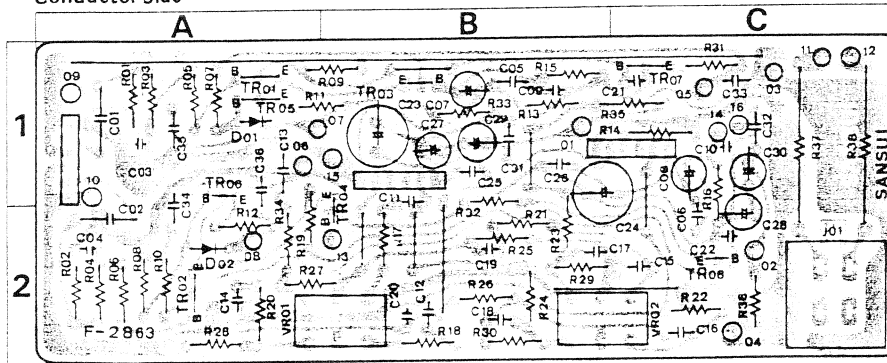
Parts List <G-7700>

Parts No.	Stock No.	Description	Position
●Transistor			
TR01, 02	0300900, 1	2SA906 (G), (H)	1C, 1A
TR03, 04	0300900, 1	2SA906 (G), (H)	1C, 1A
TR05, 06	0306550, 1	2SC1775 E, F	1, 2B, 1, 2A
TR07, 08	0306550, 1	2SC1775 E, F	1, 2C, 1, 2A
C 05, 06	0260101	100pF 50V P.C.	1B
C 23, 24	0625122	1200pF 50V P.C.	1C, 1A
C 25, 26	0620391	390pF 50V P.C.	1C, 1A
C 27, 28	0625562	5600pF 50V P.C.	1C, 1A
C 29, 30	0620101	100pF 50V P.C.	1C, 1A
R 23, 24	0210562	5.6kΩ 1/2W N.I.R.	1C, 1A
R 28	0191270	27Ω 1/4W F.R.	2A
R 30	0191270	27Ω 1/4W F.R.	1, 2A
R 31, 32	0231473	47kΩ 1/2W M.R.	1C, 1A
R 33, 34	0231223	22kΩ 1/2W M.R.	1C, 1A
R 35, 36	0231564	560kΩ 1/2W M.R.	1C, 1A

●G-5700

4-2. F-2863 Tone Control Circuit Board (Stock No. 7562901)

Conductor Side



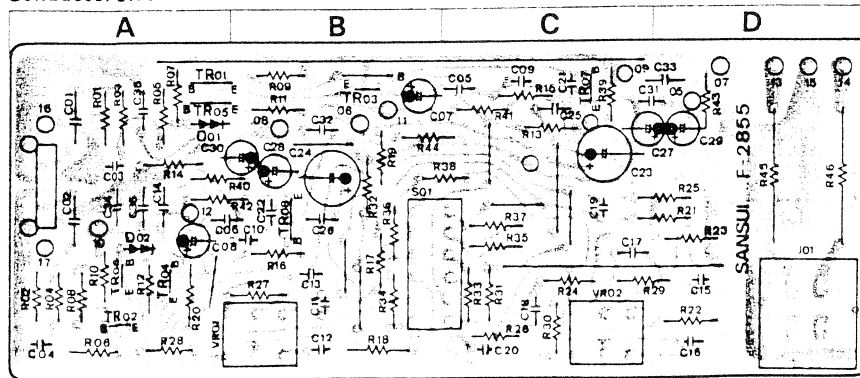
Parts List

Parts No.	Stock No.	Description	Position
●Transistor			
TR01, 02	0306740, 1	2SC1845 F, E	1A, 2A
TR03, 04	0306740, 1	2SC1845 F, E	1B, 2B
TR05, 06	0306740, 1	2SC1845 F, E	1A
TR07, 08	0301090, 1	2SA992 F, E	1C, 2C
●Diode			
D 01, 02	0340120	VD1212	1A, 2A
	0340150	MV-12	
R 37, 38	0135221	220Ω 5W Ce.R. Tone Control Volume	1C
VR01, 02	1015360, 1	100kΩ x 2	2B
J 01	2430400	Head Phone Jack	

●G-6700/G-7700

4-3. F-2855 Tone Control Circuit Board (Stock No. 7562861)

Conductor Side



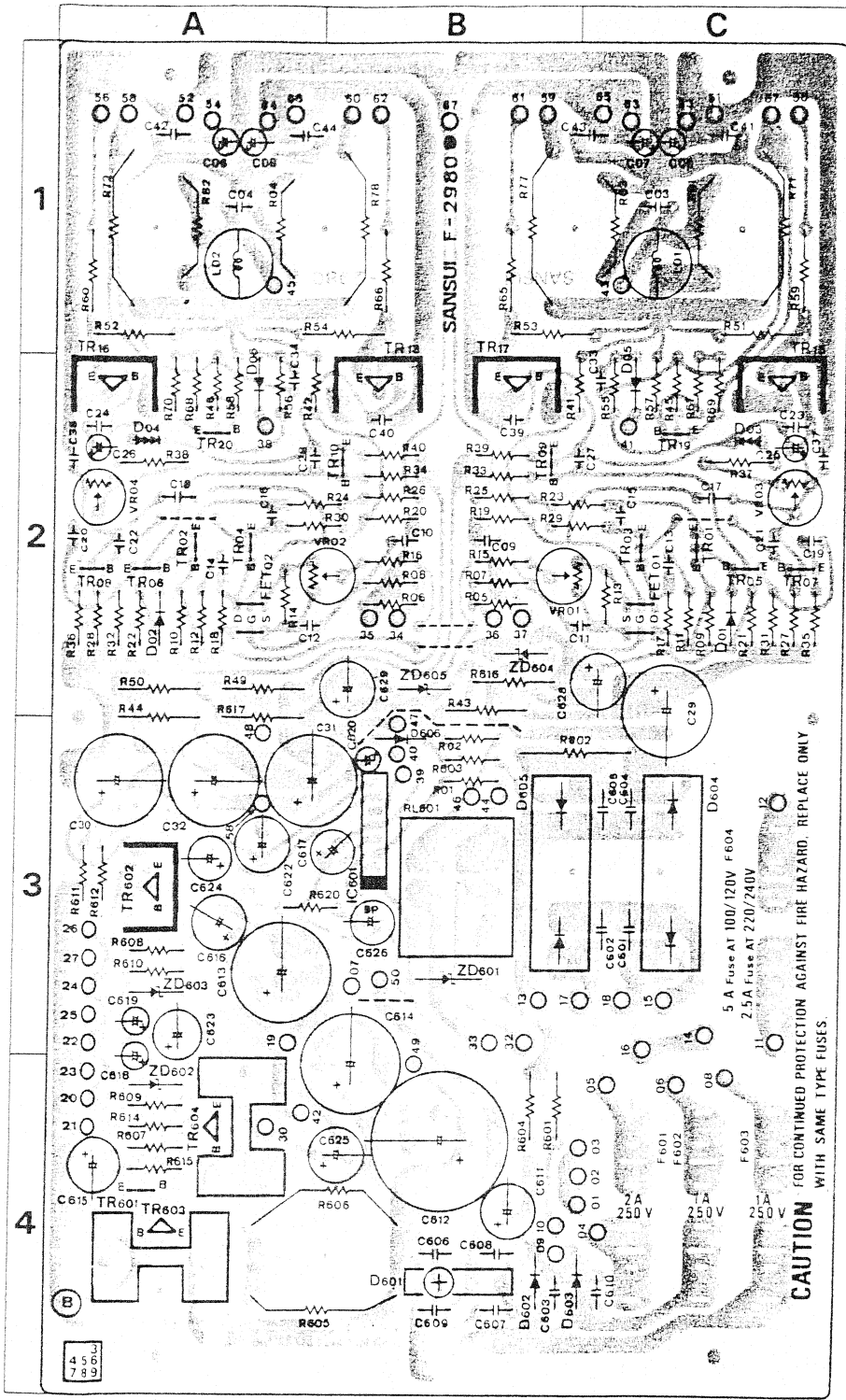
Parts List

Parts No.	Stock No.	Description	Position
●Transistor			
TR01, 02	0306070, 1	2SC1313 F, G	A
	0306740, 1	2SC1845 F, E	
TR03, 04	0306070, 1	2SC1313 F, G	B, A
	0306740, 1	2SC1845 F, E	
TR05, 06	0306070, 1	2SC1313 F, G	A
	0306740, 1	2SC1845 F, E	
TR07, 08	0301090, 1	2SA992 F, E	C, B
●Diode			
D 01, 02	0340120	VD1212	A
	0340150	MV-12	
R 45, 46	0135221	220Ω 5W Ce.R.	D
VR01, 02	1015360, 1	100kΩ x 2, Tone Control Volume	B, C
S 01	1131630, 1	0.3A 45V, Tone Switch	B
J 01	2430400	Head Phone Jack	D

●Abbreviations

C.R.	Carbon Resistor	E.L.	Low Leak Electrolytic Capacitor
S.R.	Solid Resistor	E.B.	Bi-Polar Electrolytic Capacitor
Ce.R.	Cement Resistor	E.BL	Low Leak Bi-Polar Electrolytic Capacitor
M.R.	Metal Film Resistor	Ta.C.	Tantalum Capacitor
F.R.	Fusing Resistor	F.C.	Film Capacitor
N.I.R.	Non-Inflammable Resistor	F.P.	Film Paper Capacitor
C.C.	Ceramic Capacitor	P.P.	Metallized Paper Capacitor
C.T.	Ceramic Capacitor Temperature Compensation	P.C.	Positive Capacitor
E.C.	Electrolytic Capacitor	G.C.	Gummy Capacitor

4-4. F-2980 Power Amplifier Circuit Board (Stock No. 7572341 = G-5700) (Stock No. 7572591 = G-6700)
Conductor Side

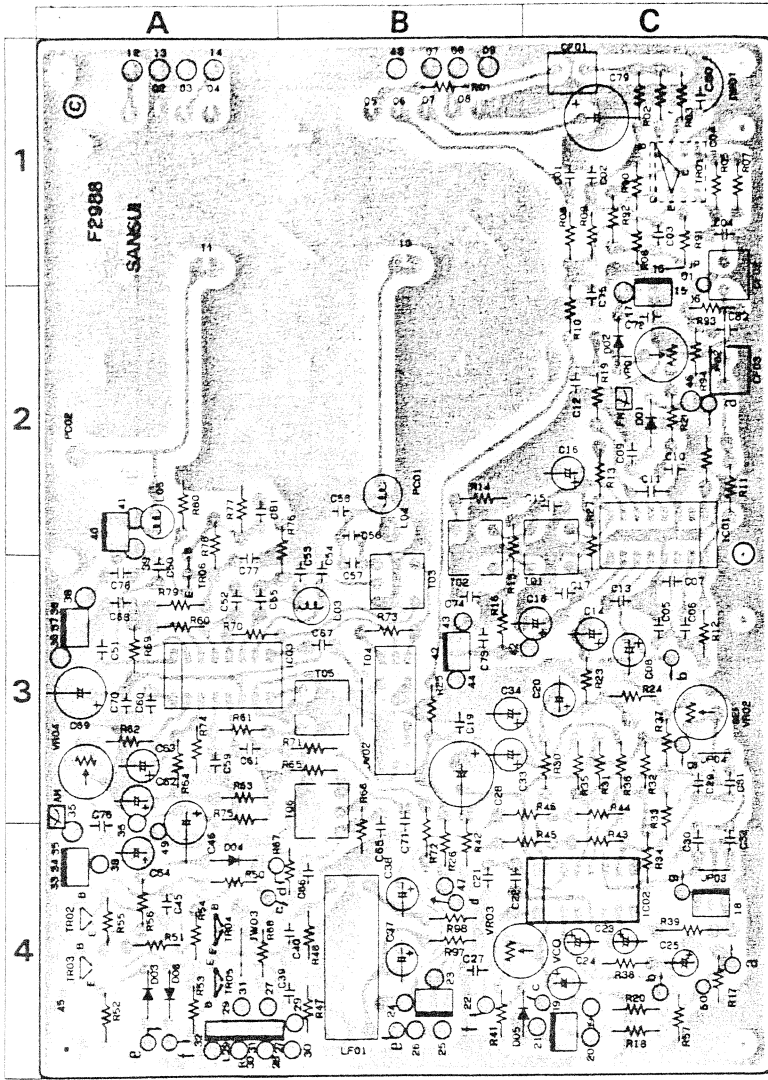


Parts No.	Stock No.	Description	Position
TR 17, 18	0303441, 2	2S8527 D, E <G-5700 only>	2B
	0303371, 2	2S8536 (2) M, L <G-6700 only>	
	0301070, 1	2SA968B D, Y <G-7700 only>	
TR 19, 20	0301090, 1	2SA992 F, E <G-5700 only>	2C, 2A
	0301030	2SA929B <G-6700/G-7700 only>	
TR 601	0306740, 1	2SC1845 F, E	4A
TR 602	0303232	2S8507V11 AL, E	3A
TR 603	0308392, 3	2SD313AL E, F	4A
TR 604	0308393	2SD313AL F	4A
•IC			
IC 601	0360900	HA12002	3B
•FET			
FET01, 02	0370311, 2	2SK129A L, M <G-5700/G-7700 only>	2C, 2A
	0390361, 2	μPA69H L1, L2 <G-6700 only>	
•Diode			
D 01, 02	0311160	1S2473D	2C, 2A
	0311180	1S1588	
D 05, 06	0311160	1S2473D	2C, 2A
	0311180	1S1588	
D 601	0311700	RB-152	4B
D 602	0310350	10D2	4B
D 603	0310350	10D2	4C
D 604	0311310	SS-5	3C
D 605	0311320	SS-5P	3B
D 606	0310350	10D2	3B
ZD601	0317170	RD-24F (B)	3B
	0317220	RD-30F (C) <G-5700/G-6700 only>	
ZD602	0317230	RD-33F (B) <G-7700 only>	4A
	0317220	RD-30F (C) <G-5700/G-6700 only>	
ZD603	0317230	RD-33F (B) <G-7700 only>	3A
ZD604, 605	0317110	RD-18F (B)	2B
	0317120	RD-18F (C)	
ZD606	0316320	RD13E C	
C 41 ~ 44	06559804	0.001μF 150V C.C. <G-5700 only>	1C, 1A
	06551103	10000pF 500V C.C. <G-6700/G-7700 only>	
C 601	0655472	4700pF 500V C.C.	3C
C 602	0655472	4700pF 500V C.C.	3C
C 603	0655472	4700pF 500V C.C.	4B
C 604	0655472	4700pF 500V C.C.	3C
C 605	0655472	4700pF 500V C.C.	3C
C 606	0655472	4700pF 500V C.C.	4B
C 607	0655472	4700pF 500V C.C.	4B
C 608	0655472	4700pF 500V C.C.	4B
C 609	0655472	4700pF 500V C.C.	4B
C 610	0655472	4700pF 500V C.C.	4C
C 612	0549207	1000μF 63V E.C.	4B
R 03, 04	0212479	4.7Ω 2W N.I.R.	1C, 1A
R 81, 82	0212109	1Ω 2W N.I.R.	1C, 1A
R 601	0201122	1.2kΩ 1W N.I.R.	4B
R 604	0201102	1.0kΩ 1W N.I.R.	4B
	0185391	390Ω 5W Ce.R. <G-5700 only>	
R 605, 606	0135271	270Ω 5W Ce.R. <G-6700 only>	4B
	0185331	330Ω 5W Ce.R. <G-7700 only>	
	0212182	1.2kΩ 1W N.I.R. <G-5700 only>	
R 616, 617	0212182	1.8kΩ 2W N.I.R. <G-5700 only>	2B, 2, 3A
L 01, 02	4290370	1μH Filter Coil	1C, 1A
RL601	1150400		3B
	1150480		
VR01, 02	1034150	100ΩB, DC 0V Adjust	2B
VR03, 04	1034150	100ΩB, Bias Current Adjust	2C, 2A
F 601	0432240	2A 250V AC Fuse	4C
F 602, 603	0432220	1A 250V AC Fuse <G-6700 only>	4C
F 602, 603	0432240	2A 250V AC Fuse <G-6700 only>	4C
	0432260	3A 250V AC Fuse <G-5700 only>	
F 604	0432300	6A 125V AC Fuse <G-5700 only>	3C
F 604	0431320	10A 250V AC Fuse <G-7700 only>	3C
	0431270	4A 250V AC Fuse <G-6700 only>	3C
F 604	0432500	7A 125V AC Fuse <G-6700 only>	3C

Parts List <G-5700/7700>

Parts No.	Stock No.	Description	Position	Parts No.	Stock No.	Description	Position
•Transistor							
TR 01, 02	0306740, 1	2SC1845 F, E	2C, 2A	TR 09, 10	0306281, 2	2SC1735 D, E <G-5700 only>	2B
TR 03, 04	0306740, 1	2SC1845 F, E	2C, 2A		0306680, 1	2SC2071 B, V <G-6700/G-7700 only>	
	0300721, 2	2SA850 D, E <G-5700 only>	2C, 2A		0308611, 2	2SD357 D, E <G-5700 only>	
TR 05, 06	0301030, 1	2SA939B B, V <G-6700/G-7700 only>	2C, 2A	TR 15, 16	0308531, 2	2SD381 (2) M, L <G-6700 only>	2C, 2A
	0300721, 2	2SA850 D, E <G-5700 only>	2C, 2A		0306720	2SC2238B D, Y <G-7700 only>	
TR 07, 08	0301030, 1	2SA939 H, V <G-6700/G-7700 only>	2C, 2A				

4-5. F-2988 Tuner Circuit Board (Stock No. 7522281 = G-5700/G-6700)
Conductor Side

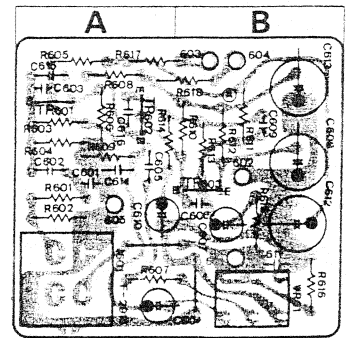


Parts List <G-5700/G-6700/G-7700>

Parts No.	Stock No.	Description	Position
•Transistor			
TR01	0306341.2	2SC1674 L, K <G-5700/G-6700 only>	1C
TR02	0306740.1	2SC1845 F, E	4A
TR03	0301090.1	2SA992 F, E	4A
TR04, 05	0306581.2	2SC1634-6, 7	4A
TR06	0306341.2	2SC1674 L, K	3A
•IC			
IC01	0360930	HA11225	2C
IC02	0360990	μPC1161C	4C
IC03	0360800	LA1240	3A
IC04	0360510	LA1222 <G-7700 only>	1C
•Diode			
D01	0311160	1S2473D	2C
D03-06	0311160	1S2473D	4A, C
C01	0622471	4700pF 125V P.C.	4B
C23	0573228	0.22μF 35V T.C.	4C
C24	0573159	1.5μF 35V T.C.	4C
C25	0573339	3.3μF 35V T.C.	4C
C26	0629006	470pF 50V P.C.	
C31, 32	0622561	560pF 125V P.C.	3C, 4C
C56	0622391	390pF 125V P.C.	2B
C57	0669210	10pF 50V C.C.	3B
C58	0669406	22pF 50V C.C.	2B
C901	0669502	2pF 50V C.C.	
L03	4900110	100μH Inductor	3B
L04, 05	4900140	1μH Inductor	2B, 2A
T01	4236230	FM Detector Coil	2C
T02	4236240	FM Detector Coil	2B
T03	4220710	OSC Coil	3B
T04	4220730	OSC Coil	
T05	0910490	Filter 450 kHz	3B
T06	4230620	IF Coil 455 kHz	3B
T06	0910450	Filter Coil	3B
CF01, 02	0990060	Ceramic Filter <G-5700/G-6700 only>	1C
CF01-03	0910480	Ceramic Filter <G-7700 only>	1C, 2C
LF01	0910220	Low Pass Filter	4B
VR01	1035150	22kΩB, FM Muting Volume	2C
VR02	1035210	220kΩB, Separation Volume	3C
VR03	1034250	4.7kΩB, PLL VCO Volume	4B
TC01, 02	1230060 7510800	Trimmer <G-7700 only> Front-end Pack	

•G-5700

4-7. F-2916 Mic Amp. Circuit Board (Stock No. 7610471)

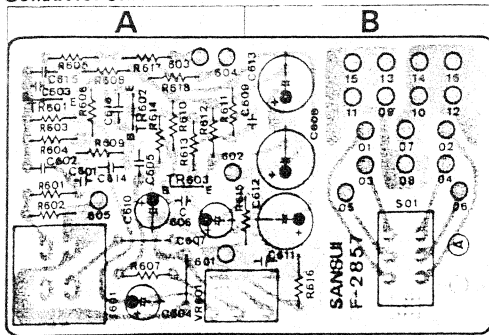


Parts List

Parts No.	Stock No.	Description	Position
•Transistor			
TR601	0306740.1	2SC1845 F, E	A
TR602	0301090.1	2SA992 F, E	A
TR603	0306740.1	2SC1845 F, E	B
R617	0191470	47Ω 1/4W F.R.	A
R618	0191470	47Ω 1/4W F.R.	B
VR601	1090340.1	20kΩA x 2 Mic Level Volume	
J601	2430400	MIC Jack	A

• G-6700/G-7700

4-6. F-2857 Mic Amp. Circuit Board (Stock No. 7610461)
Conductor Side

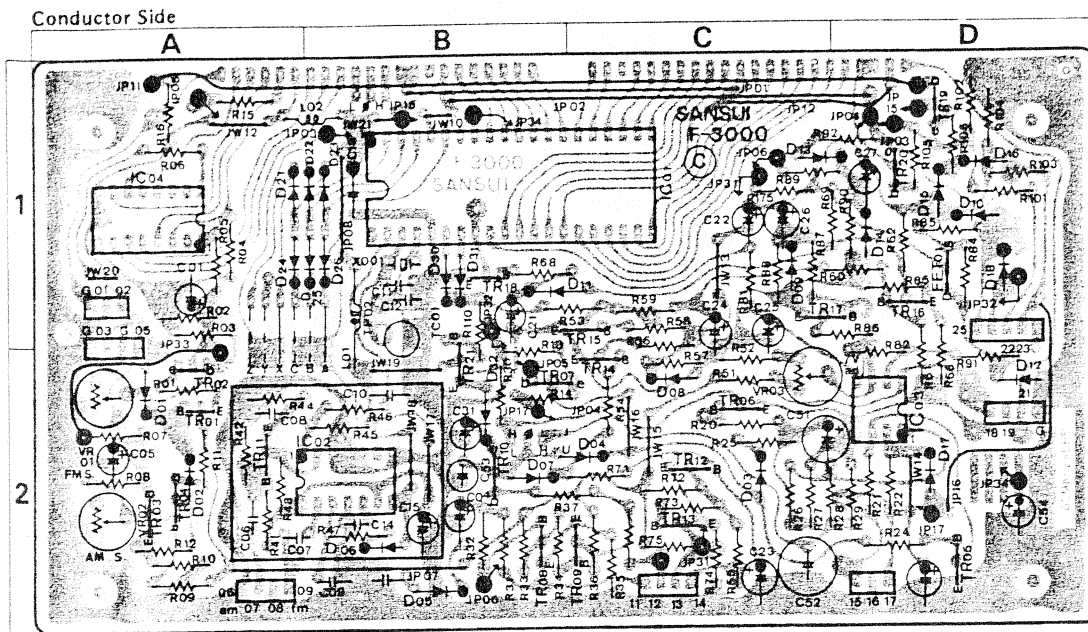


Parts List

Parts No.	Stock No.	Description	Position	Parts No.	Stock No.	Description	Position
•Transistor							
TR801	0306070.1	2SC1313 F, G	A	VR601	1090340.1	20kΩA x 2, mic level volume	A
TR802	0300470	2SA726 (F)	A	S01	1131820.1	Dolby FM De-emphasis Switch	B
TR803	0306740.1	2SC1845 F, E	A	J601	2430400	Mic Jack	A
R617	0191470	47Ω 1/4W F.R.	A				
R618	0191470	47Ω 1/4W F.R.	A				

• G-5700/G-6700/G-7700

4-8. F-3000 Digitally Display Circuit Board (Stock No. 7597971)



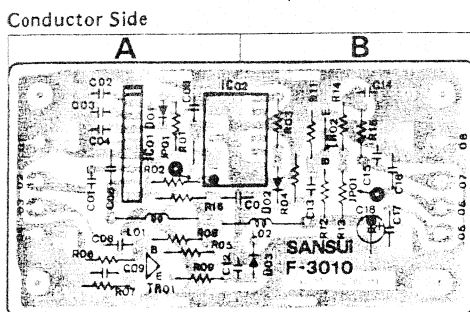
Parts List

Parts No.	Stock No.	Description	Position	Parts No.	Stock No.	Description	Position	Parts No.	Stock No.	Description	Position
• Transistor				TR19	0300510 ~ 2	2SA733A P, Q, R	1D	D 23	0311160	1S2473D	1B
TR01	0305951 ~ 3	2SC945 Q, P, K	2A	TR20	0300510 ~ 2	2SA733A P, Q, R	1D	D 26	0311160	1S2473D	1B
TR02	0300510 ~ 2	2SA733A P, Q, R	2A	TR21	0305951 ~ 3	2SC945 Q, P, K	2B	D 30	0311160	1S2473D	1B
TR03	0305951 ~ 3	2SC945 Q, P, K	2A	• IC				D 32	0311160	1S2473D	2B
TR04	0300510 ~ 2	2SA733A P, Q, R	2A	IC 01	0360910	MSM5540RS	1B	C 11	0669508	80F 50V C.C.	1B
TR05	0305951 ~ 3	2SC945 Q, P, K	2C	IC 03	0360770	NJM4558D	2D	C 12	0661220	225F 50V C.C.	1B
TR06	0305951 ~ 3	2SC945 Q, P, K	2C	IC 04	0360830	BA658	1A	L 01	4290011	3.5uH Choke Coil	1B
TR07	0300510 ~ 2	2SA733A P, Q, R	2B	• FET				VR01	1035130	10kΩB, FM Meter Adjust	2A
TR08	0305951 ~ 3	2SC945 Q, P, K	2B	FET01	0370300 ~ 3	2SK117 O, Y, GR, BL	1D	VR02	1035190	100kΩB, Meter Adjust	2A
TR09	0305951 ~ 3	2SC945 Q, P, K	2C		0370340 ~ 7	2SK163		VR03	1035110	4.7kΩB, AFC Bias Adjust	2C
TR10	0300510 ~ 2	2SA733A P, Q, R	2B			K1, K2, L1, L2, M1, M2, N1, N2		TC 01	1230150	30pF Trimmer Capacitor	1B
TR12	0305951 ~ 3	2SC945 Q, P, K	2C	• Diode				XO01	0930040	Xtal, 6.5536 MHz	1B
TR13	0305951 ~ 3	2SC945 Q, P, K	2C	D 02 ~ 10	0311160	1S2473D	1C, 2A, B, C				
TR14	0305951 ~ 3	2SC945 Q, P, K	2C	D 11 ~ 18	0311160	1S2473D	1B, C, D, 2D				
TR15	0305951 ~ 3	2SC945 Q, P, K	1C								
TR16	0305951 ~ 3	2SC945 Q, P, K	1D								
TR17	0305951 ~ 3	2SC945 Q, P, K	1C								
TR18	0305951 ~ 3	2SC945 Q, P, K	1B								

• G-5700/G-6700/G-7700

4-9. F-3010 Pre Scaler Circuit Board

(Stock No. 7597981)

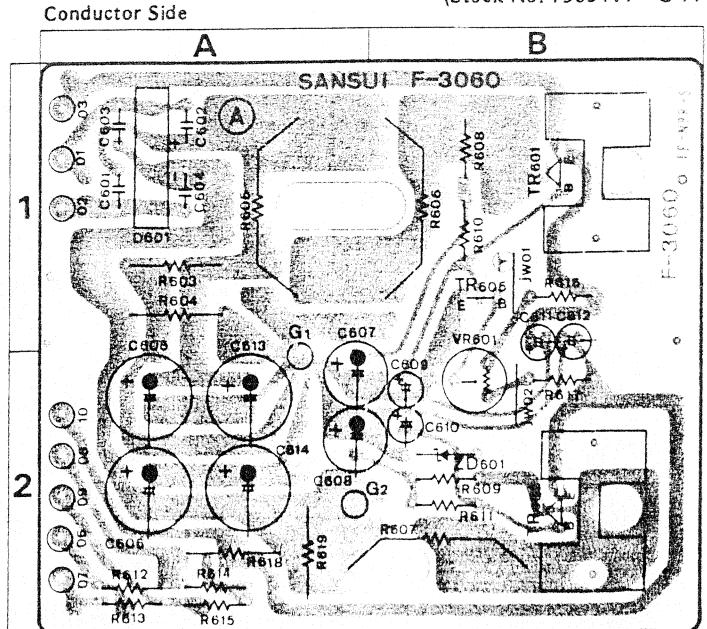


Parts List

Parts No.	Stock No.	Description	Position
• Transistor			
TR01	0306341, 2	2SC1674 L, K	A
TR02	0306341, 2	2SC1674 L, K	B
• IC			
IC 01	0361130	AN6821	A
IC 02	0361120	SN74LS90N	A
• Diode			
D 01	0311160	1S2473D	A
D 02	0311160	1S2473D	B
D 03	0311160	1S2473D	B
L 01	4290011	3.5uH Choke Coil	A
L 02	4290011	3.5uH Choke Coil	B

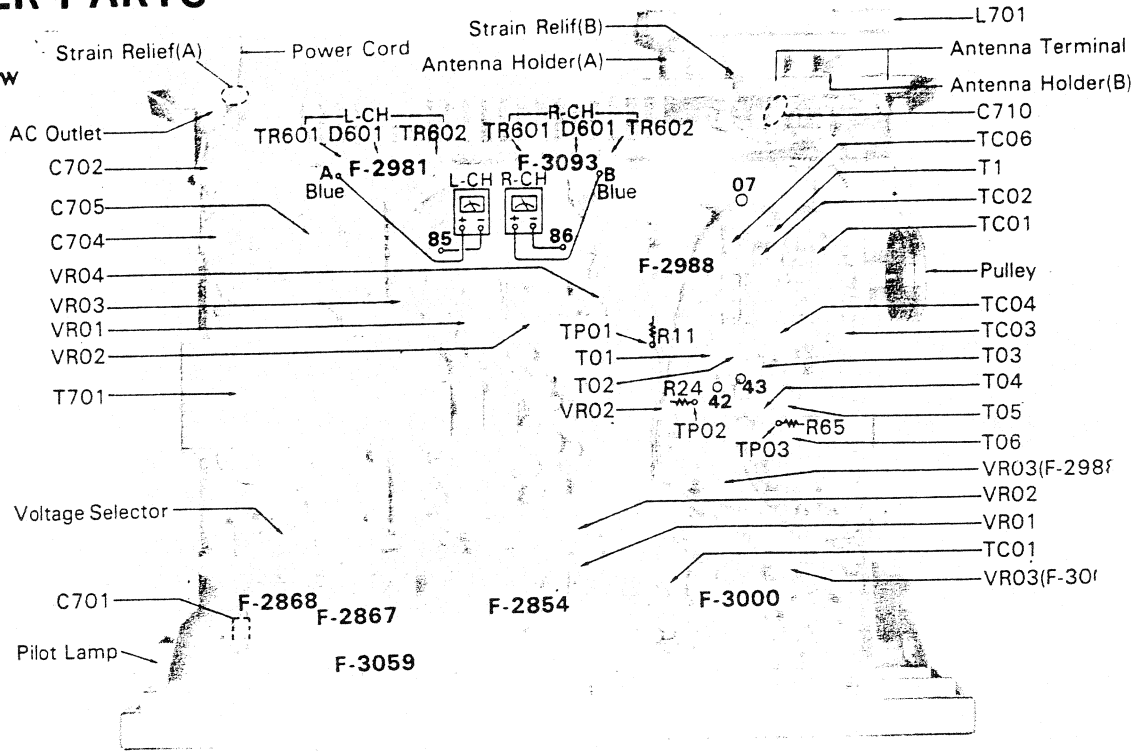
4-10. F-3060 Power Supply Circuit Board for Digital Circuit

(Stock No. 7503461 = G-5700)
(Stock No. 7503901 = G-6700)
(Stock No. 7503411 = G-7700)

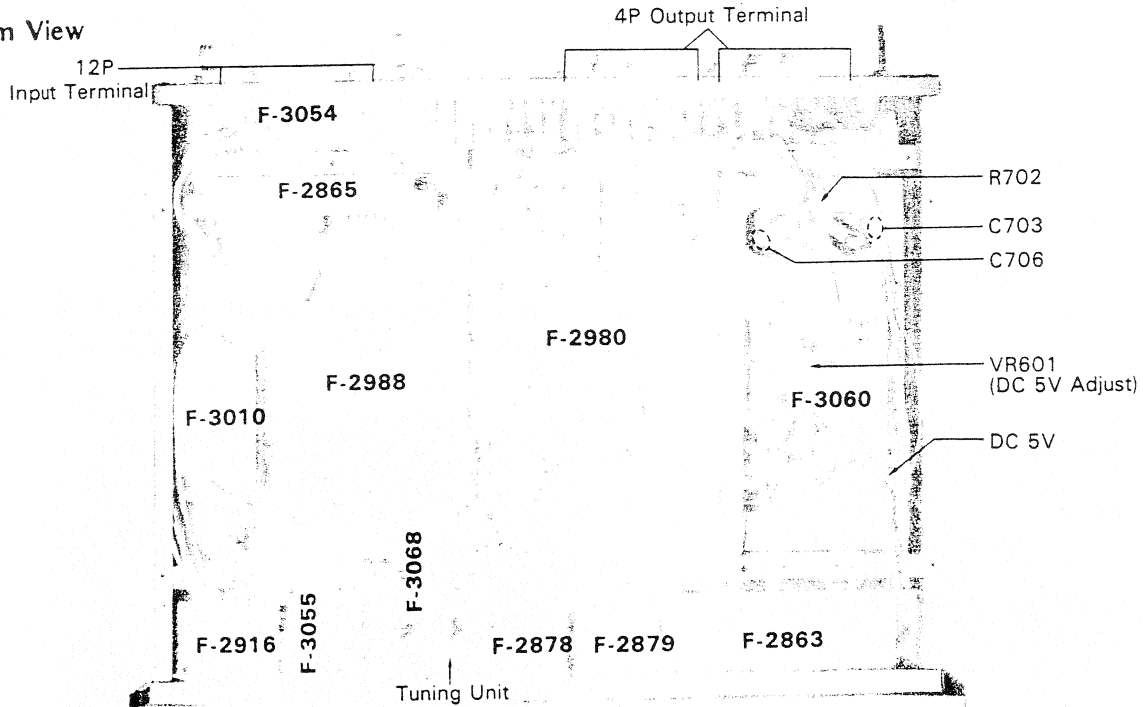


OTHER PARTS

5700 Top View



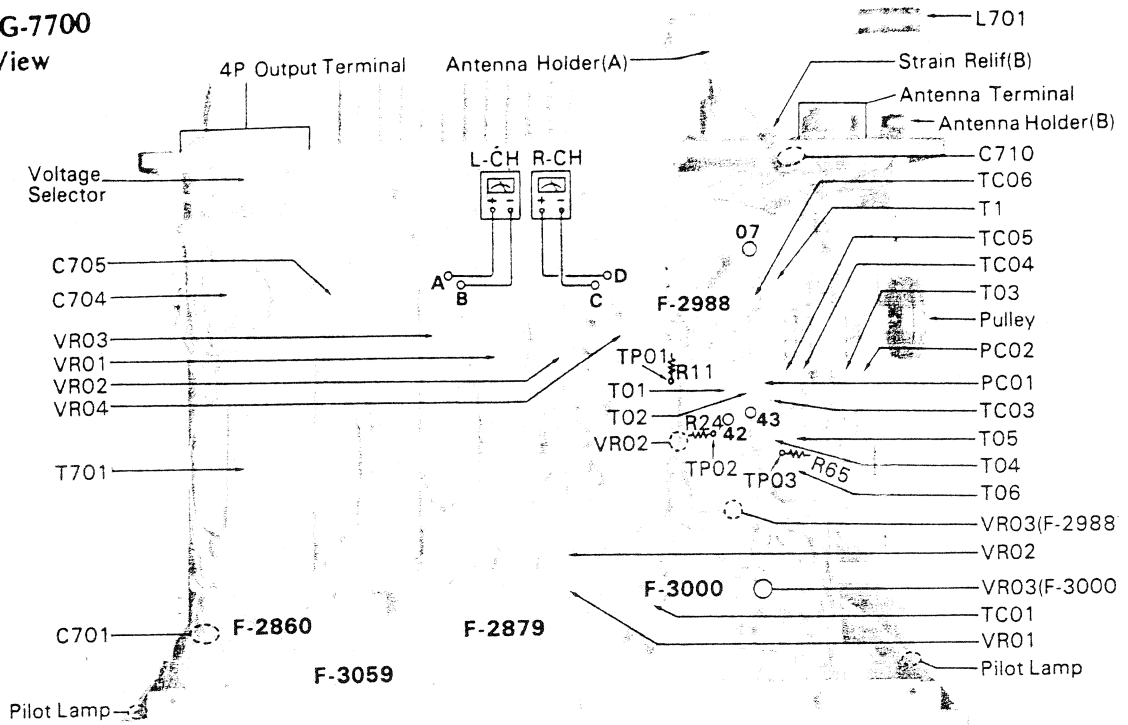
2. Bottom View



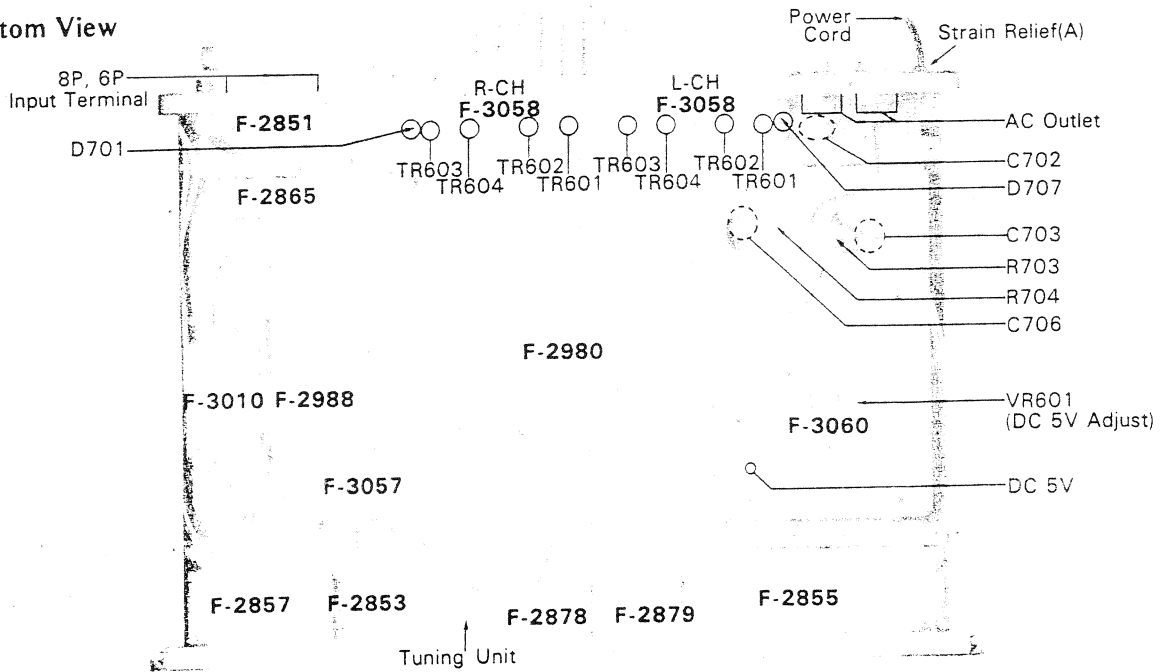
Parts List <Top & Bottom View>

No.	Stock No.	Description	Parts No.	Stock No.	Description
Power Transistor					
101	0301110, 1	2SA1105NLB O, Y	C 706	0602108	0.1µF 100V M.C
102	0306760, 1	2SC2580NLB O, Y	C 710	0620682	6800pF 50V P.C
Resistor					
101	0340161, 2	STV-3H Y, G	R 702	0202822	8.2kΩ 2W N.I.R.
101	0605337	0.033µF 150V C.C.	T 701	4201010	Bar Antenna
102	0659802	0.0047µF 150V C.C.	T 701	4003100	Power Transformer
103	0602108	0.1µF 100V M.C.		0400710	Pilot Lamp BV 300 mA
104	0559524	8200µF 63V E.C.		3800470, 1	Power Cord
105	0559524	8200µF 63V E.C.		2710310	Antenna Terminal
				2290190	4P Output Terminal
				2410091	6P Voltage Selector, plug
				2410830	10P Voltage Selector, socket
				2450070	AC Outlet
				6146800	Pulley
				7036622	Tuning Unit
				5286450	Bar Antenna Holder (A)
				5286480	Bar Antenna Holder (B)
				3910490	Strain Relief (A)
				3910600	Strain Relief (B)
				2200490	12P Input Terminal

● G-6700/G-7700
5-3. Top View



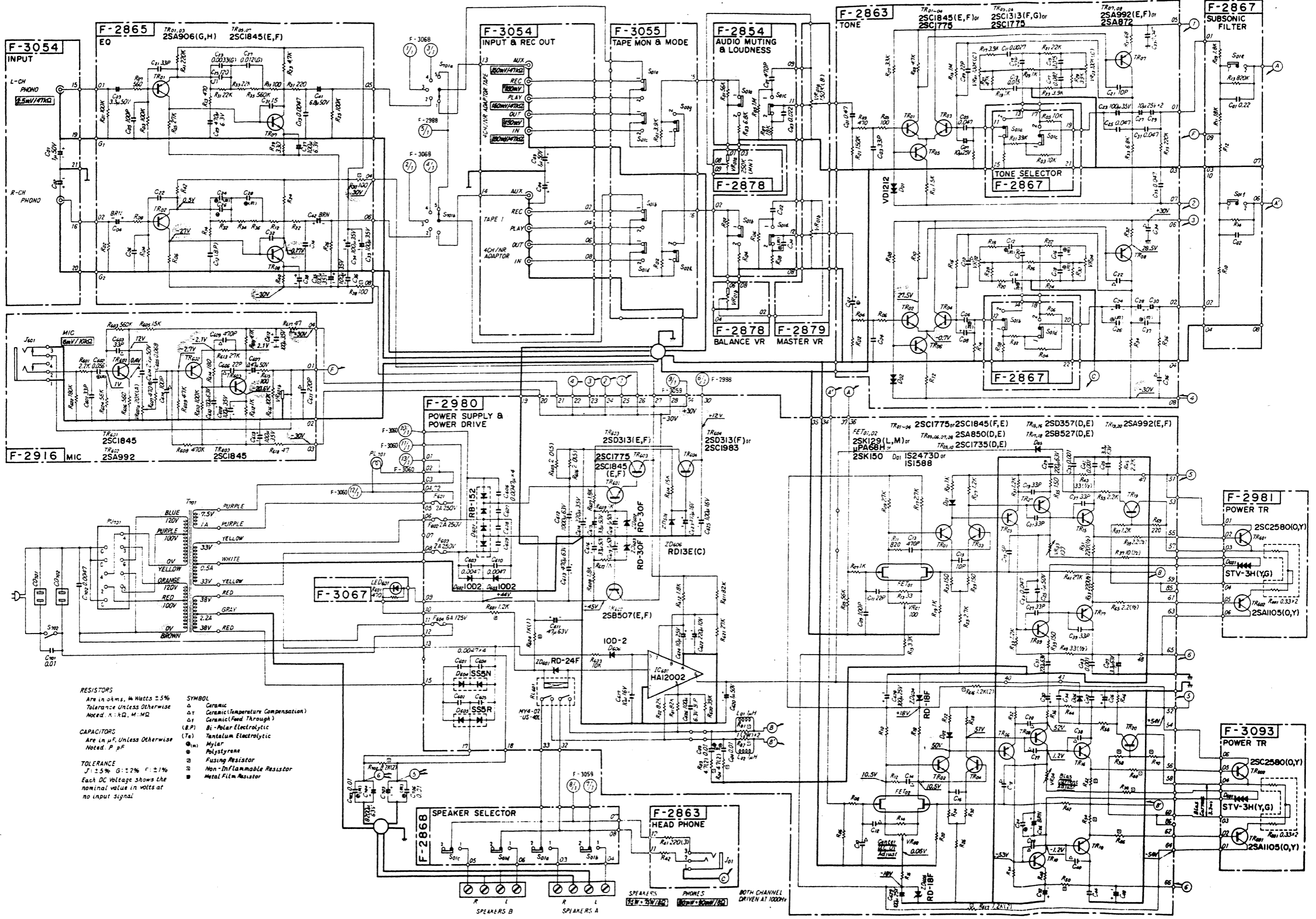
5-4. Bottom View



Parts List <Top & Bottom View>

Parts No.	Stock No.	Description	Parts No.	Stock No.	Description	Parts No.	Stock No.	Description
Power Transistor			C 704	705	10000μF 80V E.C. <G 7700 only>	2210310		Antenna Terminal
TR601	0306810, 1	2SC2581NLB-O, Y			10000μF 71V E.C. <G 6700 only>	2290190		4P Output Terminal
TR602	0301140, 1	2SA1106NLB-O, Y	C 706	0602109	1μF 100V M.C.	2410091		6P Voltage Selector, plug
TR603	0306810, 1	2SC2581NLB-O, Y	C 710	0620682	6800μF 50V P.C.	2410830		10P Voltage Selector, socket
TR604	0301140, 1	2SA1106NLB-O, Y	R 703	0202392	3.9kΩ 2W N.I.R.	2450070		AC Outlet
Varistor			R 704	0202392	3.9kΩ 2W N.I.R.	6146800		Pulley
D 701	0340161, 2	STV-3H Y, G	L 701	4201010	Bar Antenna	7036623		Tuning Unit
D 702	0340161, 2	STV-3H Y, G			Power Transformer <G 6700 only>	5286450		Bar Antenna Holder (A)
C 701	0605337	0.033μF 350V M.C.	T 701	4003320	Power Transformer <G 7700 only>	5286480		Bar Antenna Holder (B)
C 702	0659802	0.0047μF 150V C.C.			Pilot Lamp 8V 300mA	3910490		Strain Relief (A)
C 703	0602109	1μF 100V M.C.			Power Cord	3910600		Strain Relief (B)
						2200480		8P Input Terminal
						2200530		6P Input Terminal

6. SCHEMATIC DIAGRAM 6-1. Audio Section <G-5700>



RESISTORS
 Are in ohms, $\frac{1}{4}$ Watts $\pm 5\%$
 Tolerance Unless Otherwise
 Noted. K: k Ω , M: M Ω

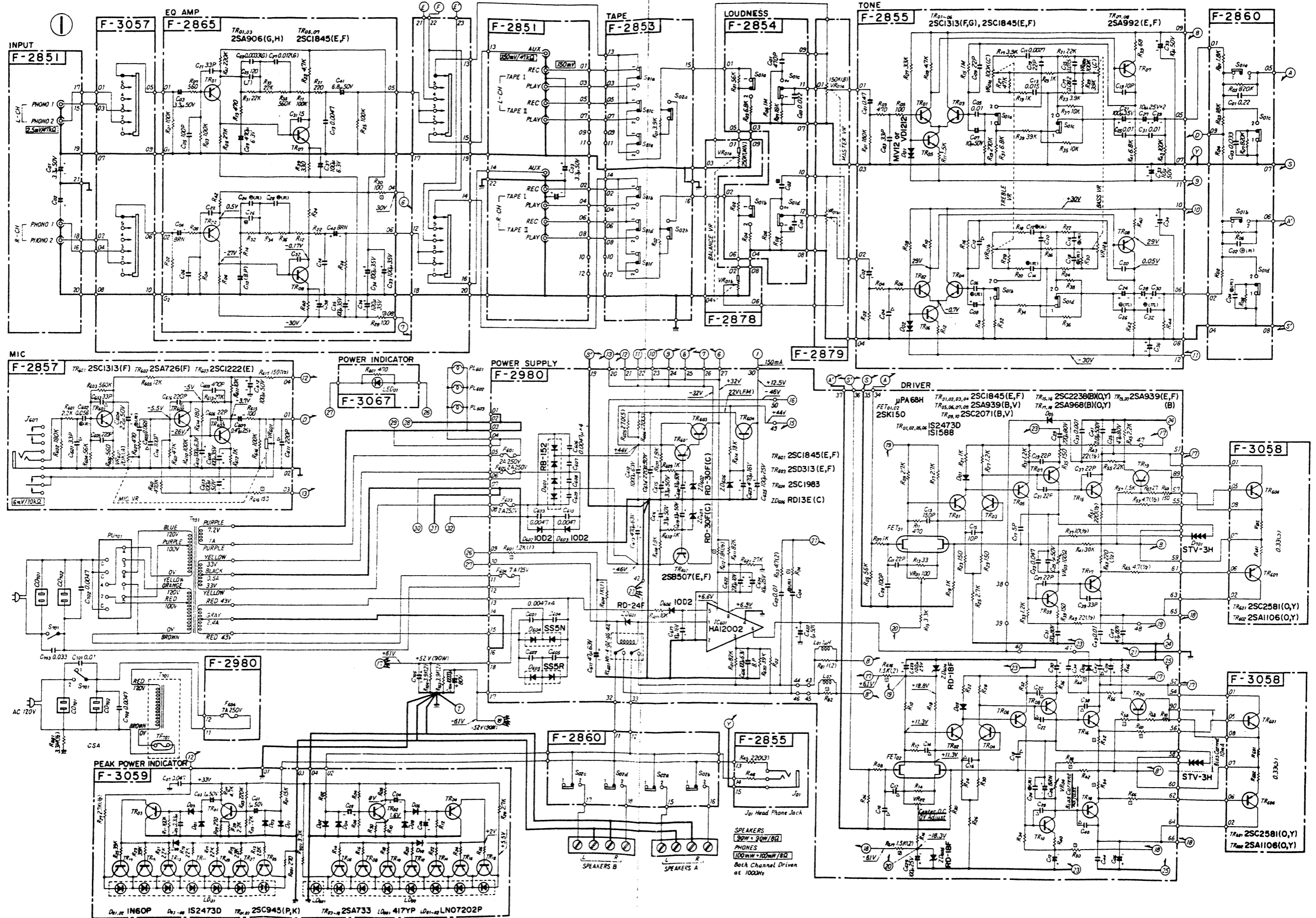
CAPACITORS
 Are in μ F, Unless Otherwise
 Noted. P: pF

TOLERANCE
 J: $\pm 5\%$ G: $\pm 2\%$ F: $\pm 1\%$
 Each DC Voltage shows the
 nominal value in volts at
 no input signal

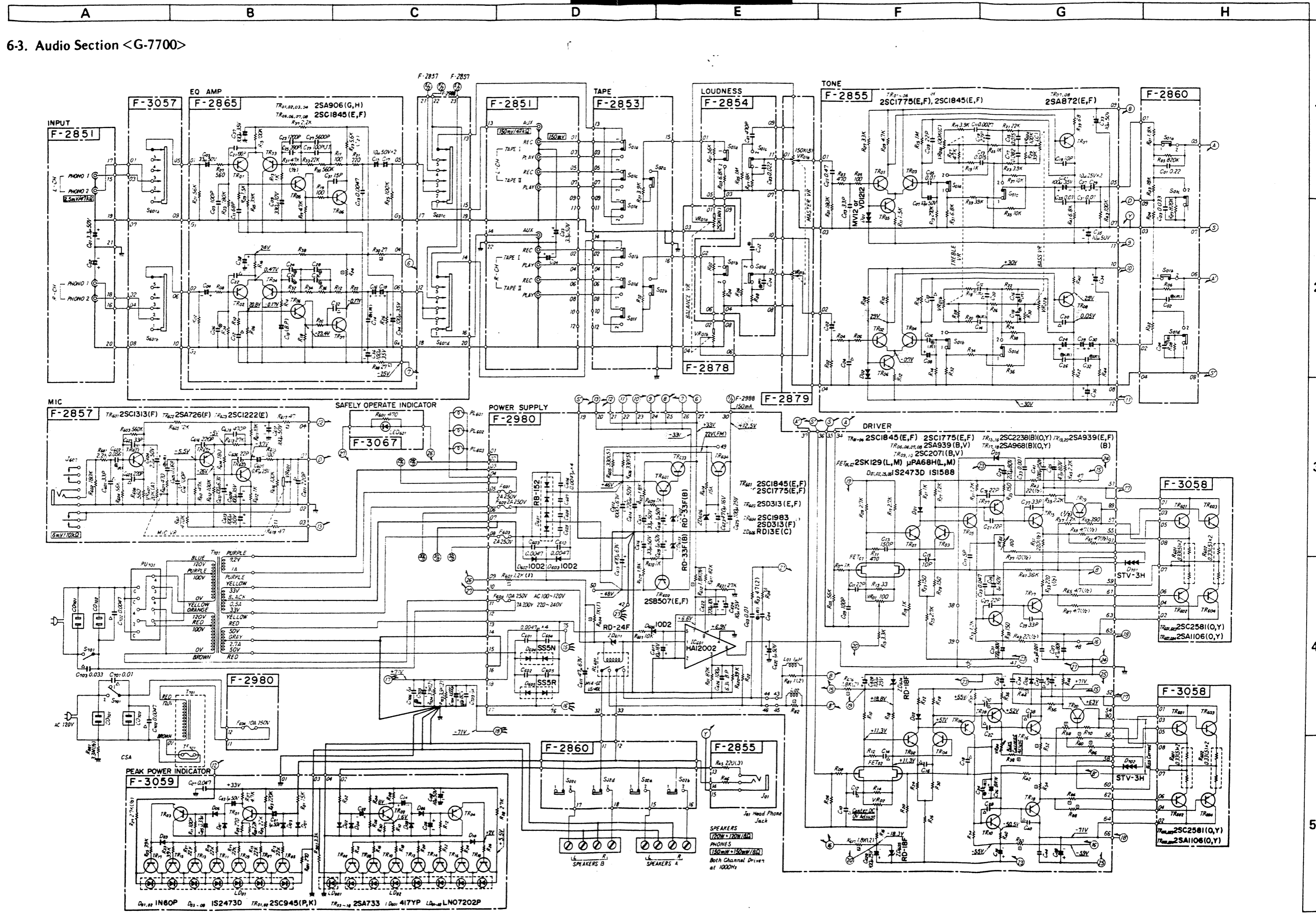
SYMBOL
 C Ceramic
 CT Ceramic (Temperature Compensation)
 CT Ceramic (Lead Through)
 (L.P.) Bi-Polar Electrolytic
 (T) Tantalum Electrolytic
 M Mylar
 P Polystyrene
 F Fusing Resistor
 H Non-Flammable Resistor
 M Metal Film Resistor

1
2
3
4
5

6-2. Audio Section <G-6700>



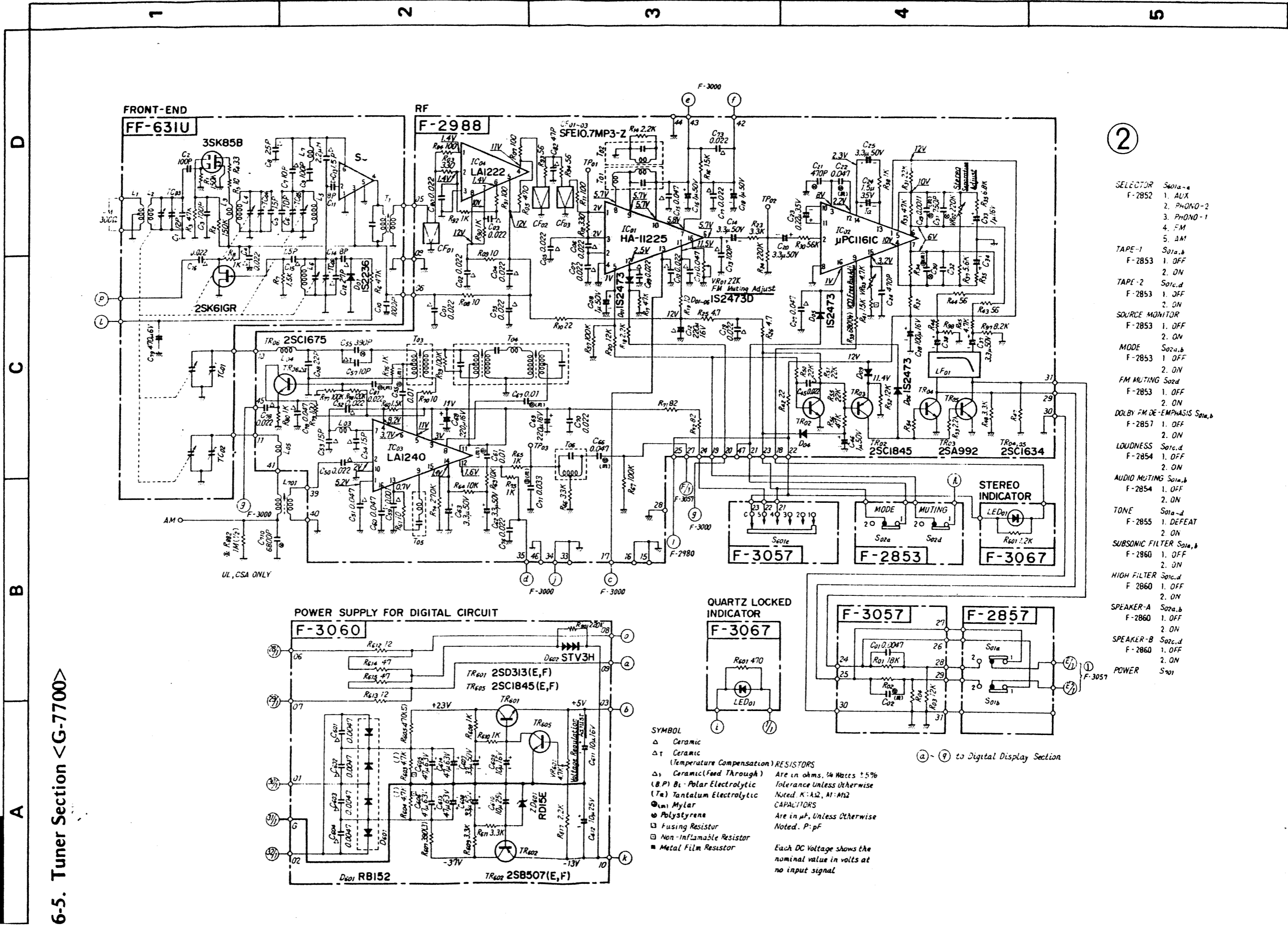
6-3. Audio Section <G-7700>



1
2
3
4
5

• Design and specifications subject to change without notice for improvement.
 • La présentation et les spécifications sont susceptibles d'être modifiées sans préavis par suites d'améliorations éventuelles.
 • Änderungen, die dem technischen Fortschritt dienen, bleiben vorbehalten.

6-5. Tuner Section <G-7700>



2

- SELECTOR S_{01a-d}
- F-2852 1. AUX
- 2. PHONO-2
- 3. PHONO-1
- 4. FM
- 5. AM
- TAPE-1 S_{01a,b}
- F-2853 1. OFF
- 2. ON
- TAPE-2 S_{01c,d}
- F-2853 1. OFF
- 2. ON
- SOURCE MONITOR F-2853 1. OFF
- 2. ON
- MODE S_{02a,b}
- F-2853 1. OFF
- 2. ON
- FM MUTING S_{02c}
- F-2853 1. OFF
- 2. ON
- DOLBY FM DE-EMPHASIS S_{01a,b}
- F-2857 1. OFF
- 2. ON
- LOUDNESS S_{01c,d}
- F-2854 1. OFF
- 2. ON
- AUDIO MUTING S_{01a,b}
- F-2854 1. OFF
- 2. ON
- TONE S_{01a-d}
- F-2855 1. DEFEAT
- 2. ON
- SUBSONIC FILTER S_{01a,b}
- F-2860 1. OFF
- 2. ON
- HIGH FILTER S_{01c,d}
- F-2860 1. OFF
- 2. ON
- SPEAKER-A S_{02a,b}
- F-2860 1. OFF
- 2. ON
- SPEAKER-B S_{02c,d}
- F-2860 1. OFF
- 2. ON
- POWER S₀₁

SYMBOL

- △ Ceramic
- △T Ceramic (Temperature Compensation)
- △T Ceramic (Feed Through)
- (B P) B: Polar Electrolytic
- (T) Tantalum Electrolytic
- (M) Mylar
- Polystyrene
- Fusing Resistor
- Non-Inflamable Resistor
- Metal Film Resistor

Are in ohms, ¼ Watts ±5% Tolerance unless otherwise noted. K: A2, M: M2

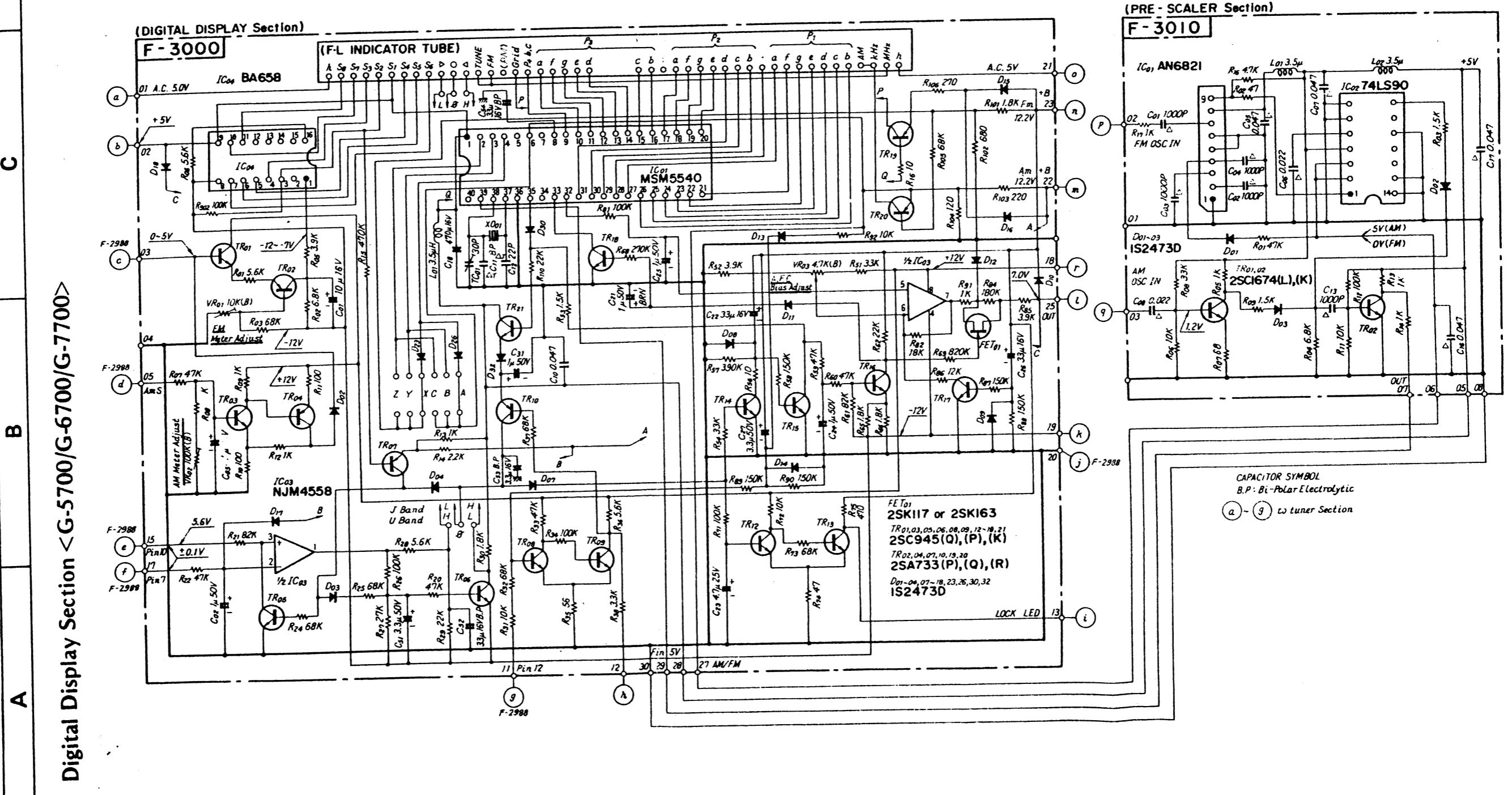
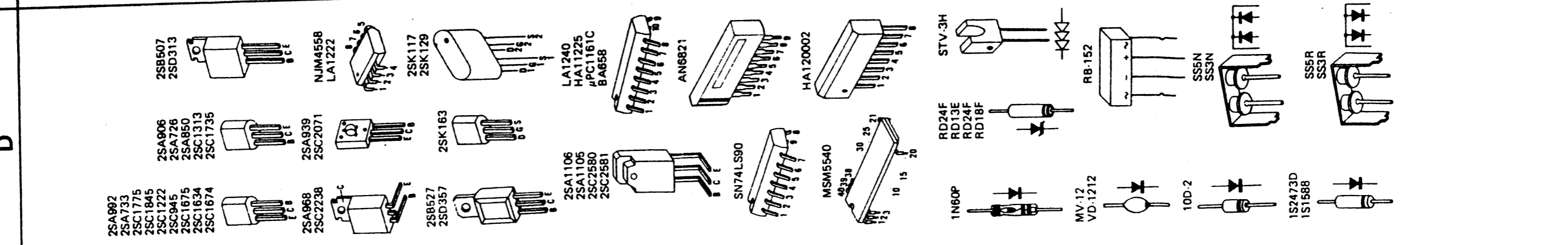
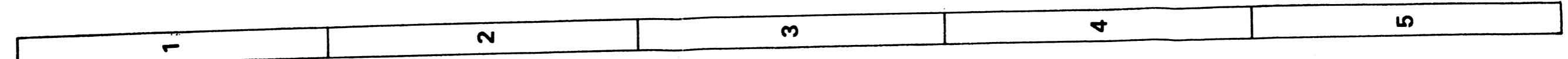
CAPACITORS

Are in μF, unless otherwise noted. P: pF

Each DC Voltage shows the nominal value in volts at no input signal

(a) - (g) to Digital Display Section

• Design and specifications subject to change without notice for improvement.
 • La présentation et les spécifications sont susceptibles d'être modifiées sans préavis par suites d'améliorations éventuelles.
 • Änderungen, die dem technischen Fortschritt dienen, bleiben vorbehalten.



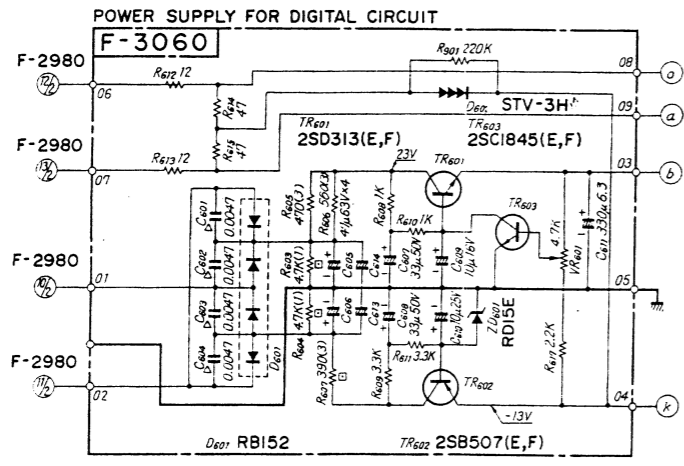
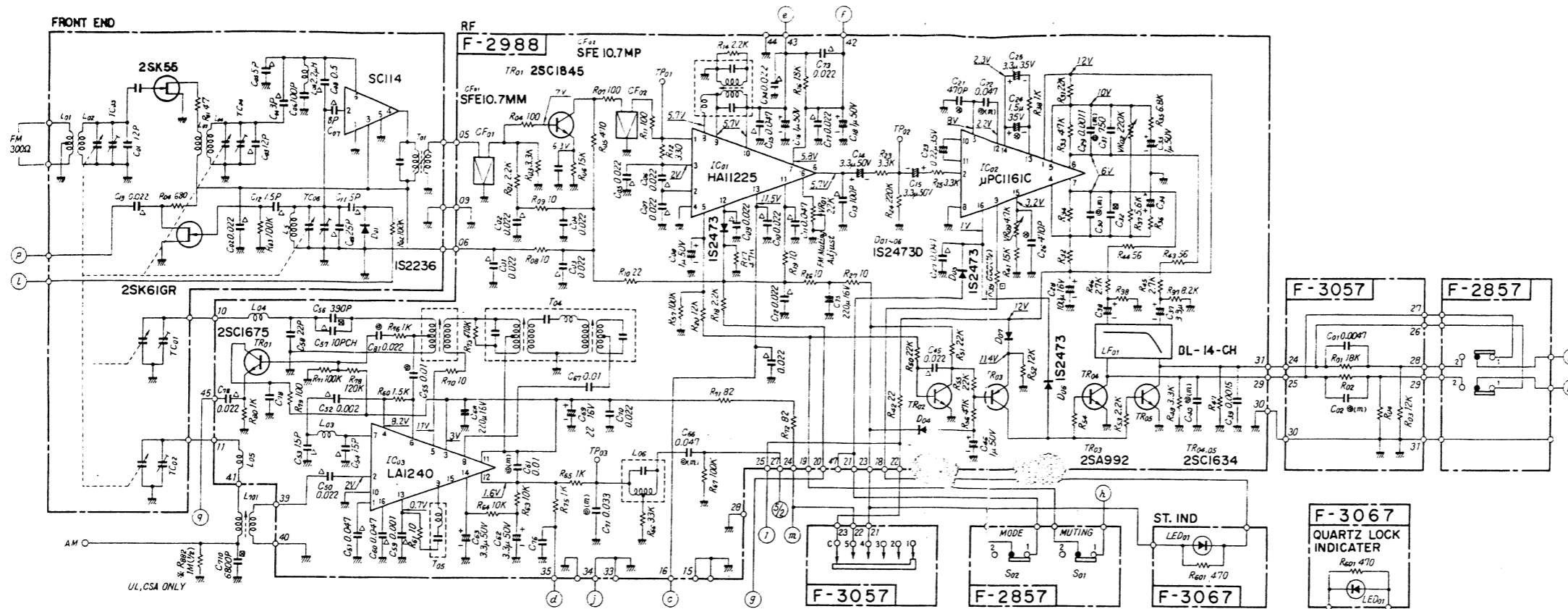
Digital Display Section <G-5700/G-6700/G-7700>

D

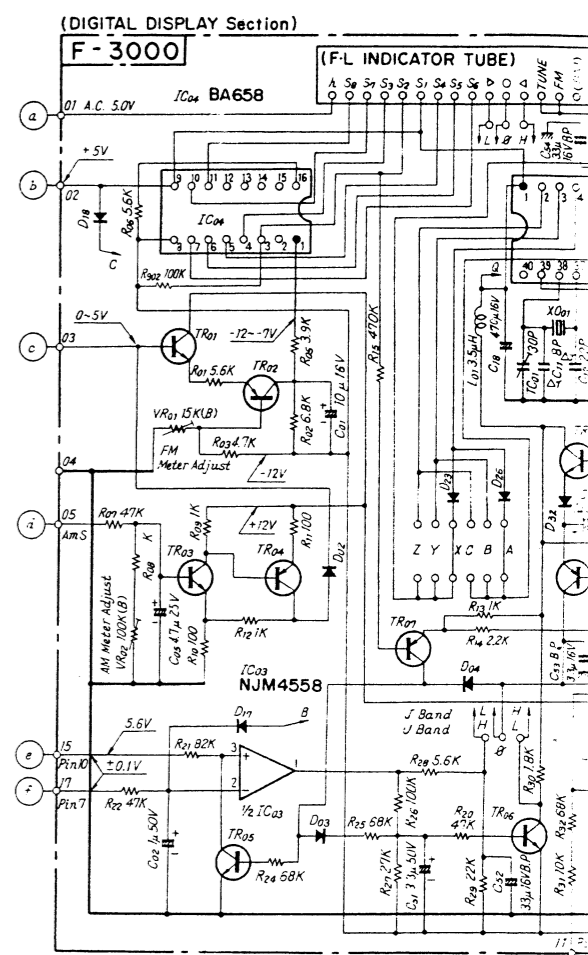
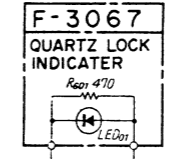
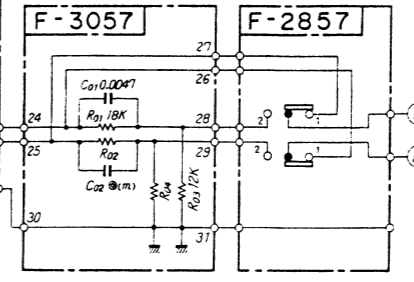
C

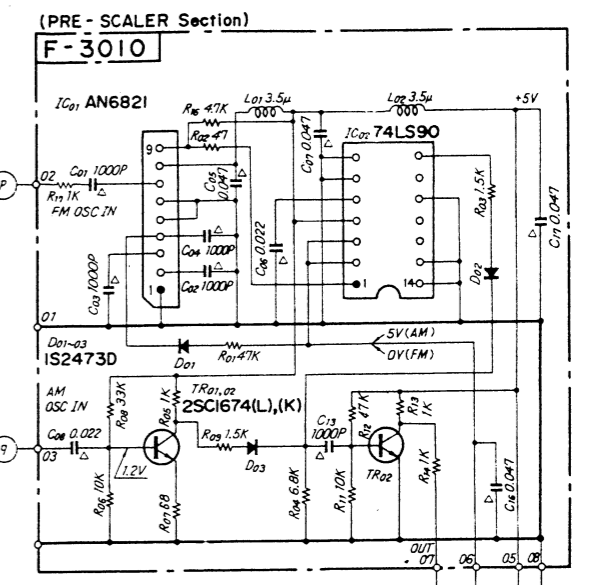
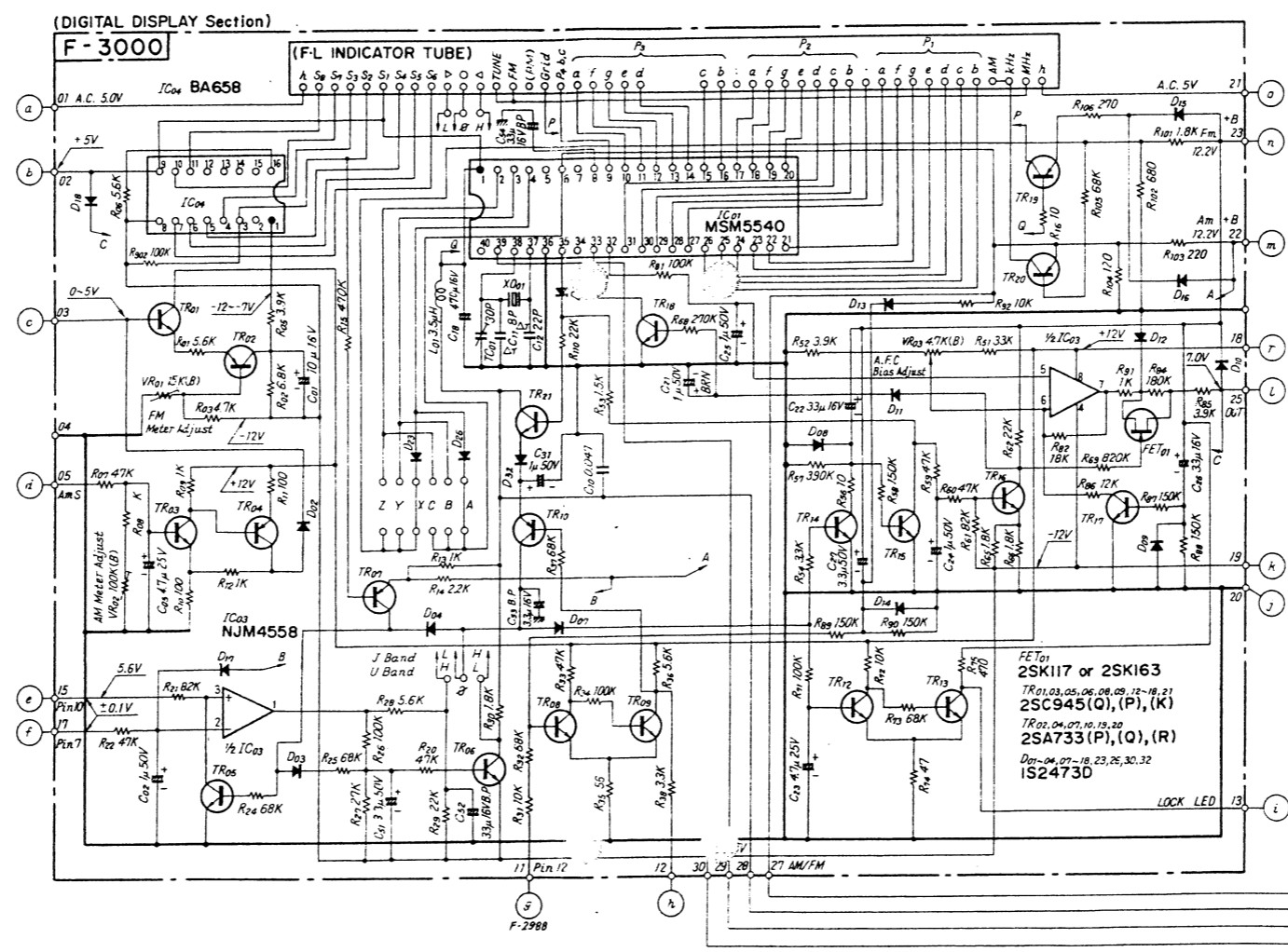
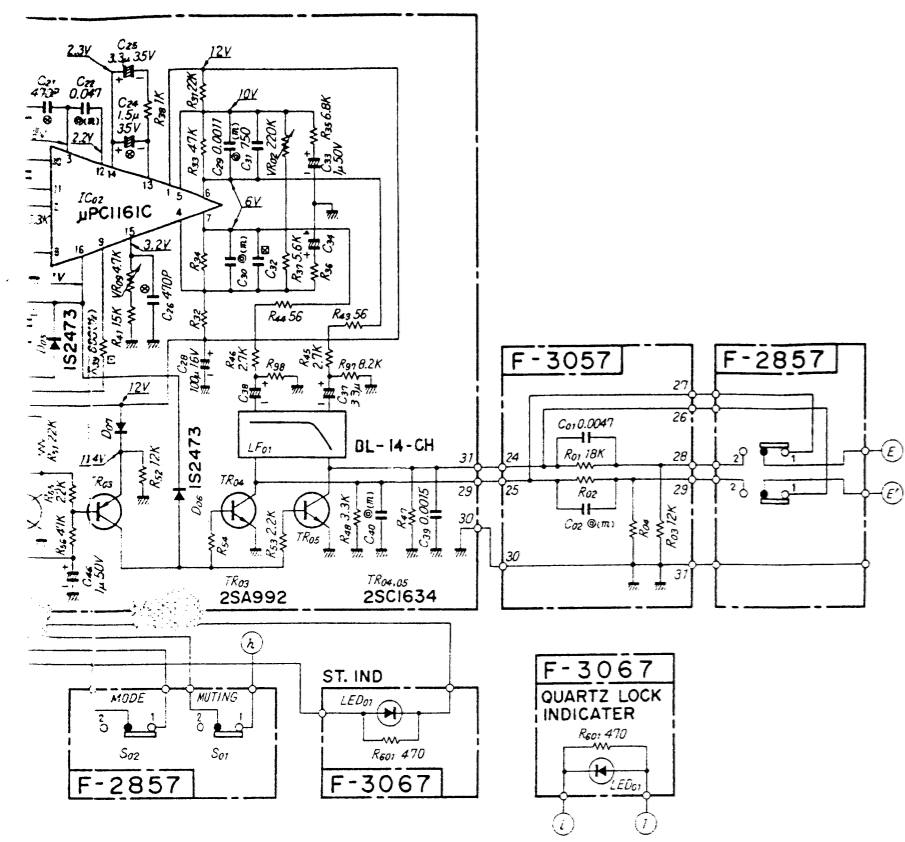
B

A

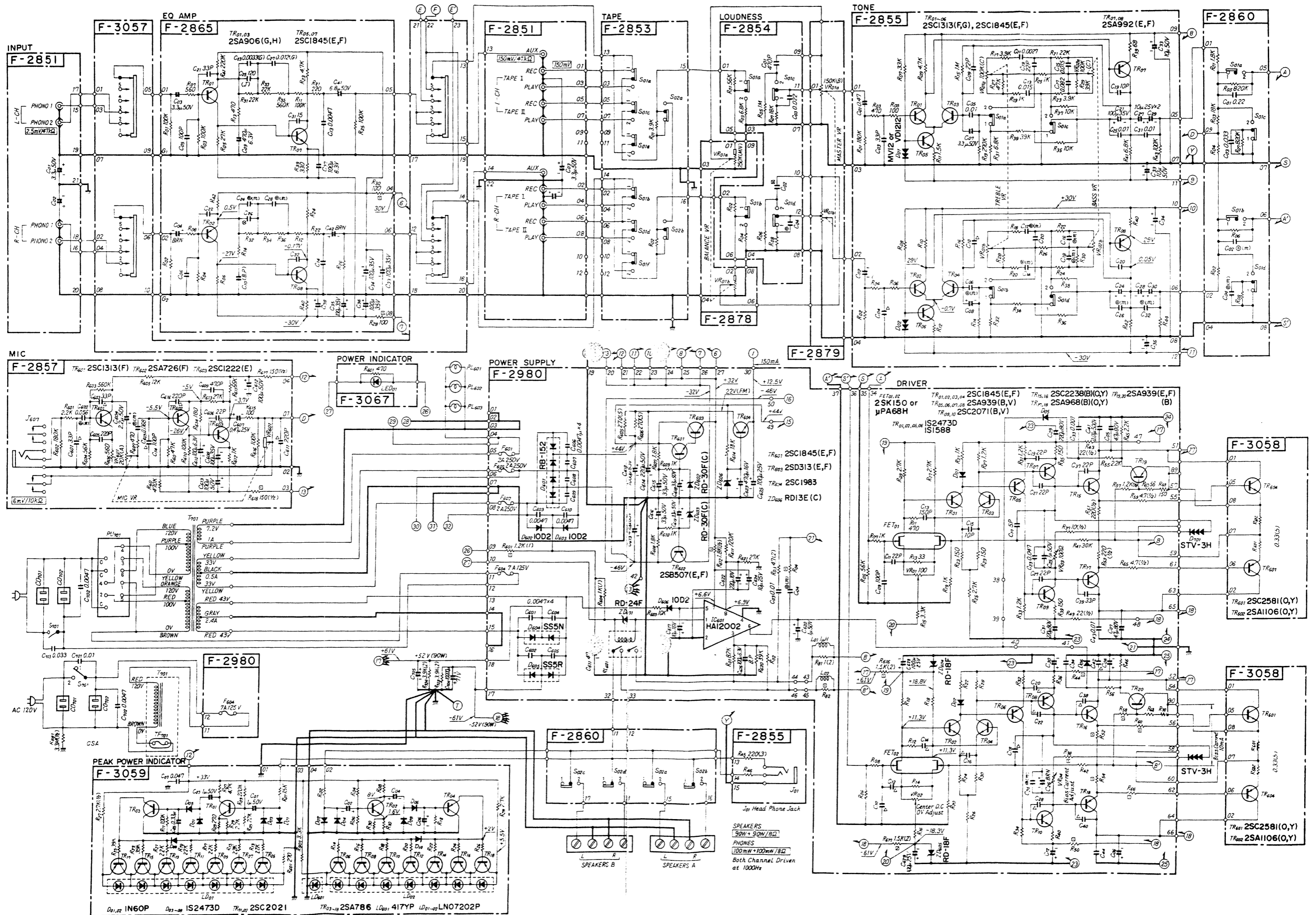


- SELECTOR S₇₀₁
- AUX
 - PHONO
 - FM AUTO
 - DOLBY FM DE-EMPHASIS
 - AM
- POWER S₇₀₂
- ON
 - OFF
- SPEAKERS A F-2868 S_{701a,b}
- ON
 - OFF
- SPEAKERS B F-2868 S_{701c,d}
- ON
 - OFF
- TONE F-2867 S_{701e,b}
- DEFEAT
 - ON
- SUBSONIC FILTER F-2867 S_{702a,b}
- OFF
 - ON
- FM MUTING F-3055 S₇₀₁
- ON
 - OFF
- MODE F-3055 S_{702a-c}
- STEREO
 - MONO
- TAPE MONITOR F-2864 S_{701a,b}
- SOURCE
 - TAPE
- 4CH/NR ADAPTOR F-2864 S_{702a,b}
- OFF
 - ON
- LOUDNESS F-2854 S_{702a,b}
- OFF
 - ON
- AUDIO MUTING F-2854 S_{701a,b}
- OFF
 - 20dB





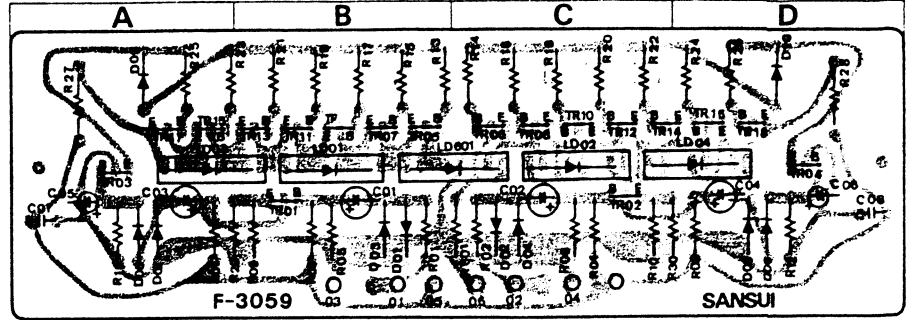
CAPACITOR SYMBOL
 B.P.: Bi-Polar Electrolytic
 (a) - (g) to tuner Section



Parts List (F-3060) <G-5700/G-6700/7700>

Parts No.	Stock No.	Description	Position
•Transistor			
TR 601	0308392.3	2SD313AL E, F	1B
TR 602	0303231.2	2SB507V11-AL, D, E	2B
TR 603	0306740.1	2SC1845 F, E <G-5700 only>	
TR 604	0306721.2	2SA850 D, E	
TR 605	0306740.1	2SC1845 F, E <G-5700/G-7700 only>	1B
•Diode			
D 601	0311700	RB-152	1A
D 602	0340161	STV-3HY <G-5700 only>	
	0340170	MV-103 <G-6700/G-7700 only>	
ZD601	0316330	RD15E B	2B
C 601	0655472	4700pF 500V C.C.	1A
C 602	0655472	4700pF 500V C.C.	1A
C 603	0655472	4700pF 500V C.C.	1A
C 604	0655472	4700pF 500V C.C.	1A
R 603	0201472	4.7kΩ 1W N.I.R.	1A
R 604	0201472	4.7kΩ 1W N.I.R.	1A
R 605	0185471	470Ω 5W Ce.R.	1A
R 606	0155221	220Ω 5W Ce.R.	1B
R 607	0183391	390Ω 3W Ce.R.	2B
VR601	1035110	4.7kΩB, DC Voltage Adjust	2B

4-11. F-3059 Power Indicator Circuit Board (Stock No. 7598161 = G-5700) (Stock No. 7599141 = G-6700) (Stock No. 7597951 = G-7700)



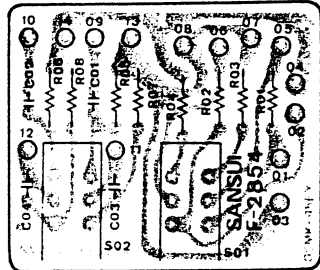
Parts List <G-5700/G-6700/G-7700>

Parts No.	Stock No.	Description	Position	Parts No.	Stock No.	Description	Position
•Transistor				•Diode			
TR01, 02	0305951.2	2SC945 Q, P	B, C	D 01, 02	0310330	1N60	B, C
TR03, 04	0300510.1	2SA733A P, O	A, D	D 03, 04	0311160	1S2473D	B, C
TR05, 06	0300510.1	2SA733A P, O	B, C	D 05, 06	0311160	1S2473D	A, D
TR07, 08	0300510.1	2SA733A P, O	B, C	D 07, 08	0311160	1S2473D	A, D
TR09, 10	0300510.1	2SA733A P, O	B, C	D 09, 10	0311160	1S2473D	A, D
TR11, 12	0300510.1	2SA733A P, O	B, C	LD01, 02	0319310	LN07202P	B, C
TR13, 14	0300510.1	2SA733A P, O	B, C	LD601	0319300	LN417YP	B, C
TR15, 16	0300510.1	2SA733A P, O	A, D				
TR17, 18	0300510.1	2SA733A P, O	A, D	C 05, 06	0573338	0.33μF 35V C.C.	A, D

• The circuit boards, F-2854, F-2860, F-3058, F-3093 & F-2981 are not supplied as the assembled, the individual parts on the circuit boards, however are provided for orders.

• G-5700/G-6700/G-7700

4-12. F-2854 Audio Muting Circuit Board

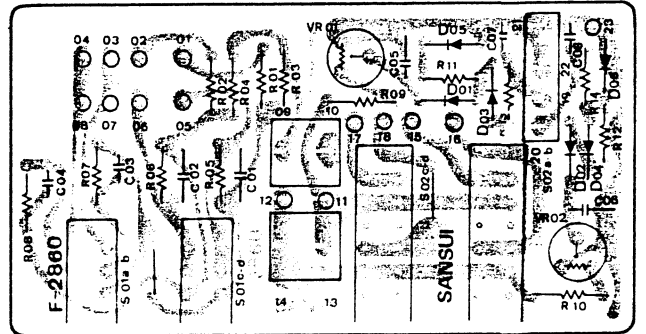


Parts List

Parts No.	Stock No.	Description
C 01, 02	0620471	470pF 50V P.C.
S 01	1131560.1	Audio Muting & Loudness Switch

• G-6700/G-7700

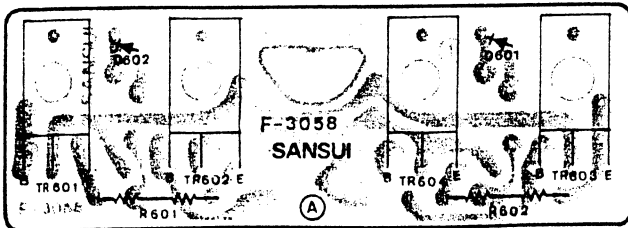
4-13. F-2860 Speaker Switch Circuit Board



• G-5700

4-14. F-3058 Power Transistor Circuit Board

Conductor Side

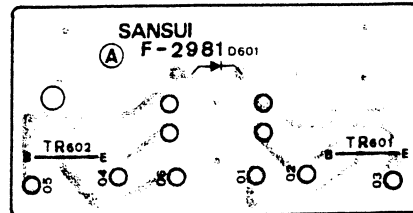


Parts List <G-6700/G-7700>

Parts No.	Stock No.	Description
•Transistor		
TR 601	0306810.1	2SC2581NLR O, Y
TR 602	0301140.1	2SA1106NLR O, Y
TR 603	0306810.1	2SC2581NLR O, Y <G 7700 only>
TR 604	0301140.1	2SA1106NLR O, Y <G 7700 only>
R 601	0159190	0.33kΩ x 2 5W Ce R
R 602	0159190	0.33kΩ x 2 5W Ce R, <G 7700 only>

4-15. F-2981 Power Transistor Circuit Board <L-CH>

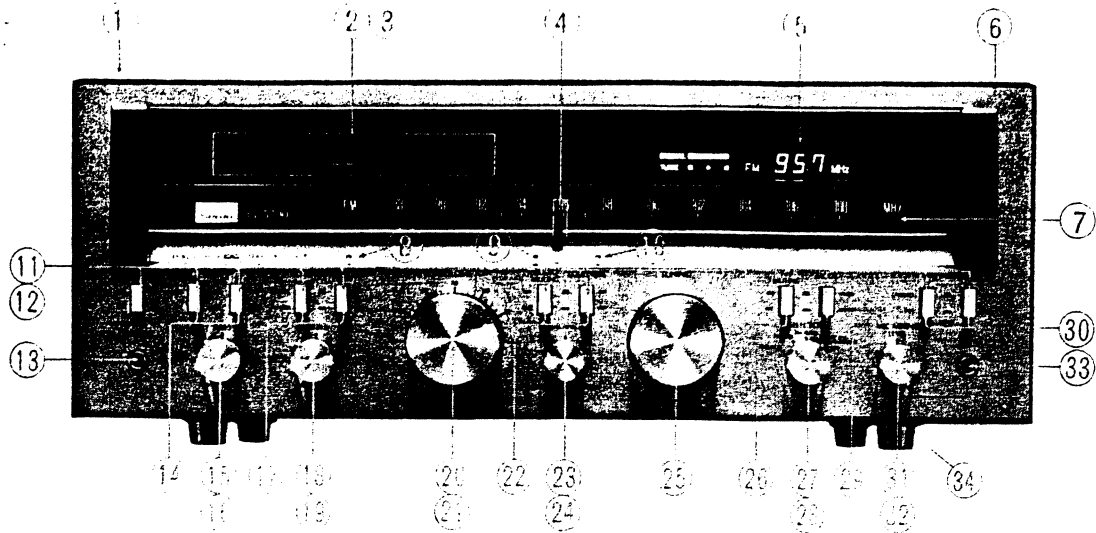
4-16. F-3093 Power Transistor Circuit Board <R-CH>



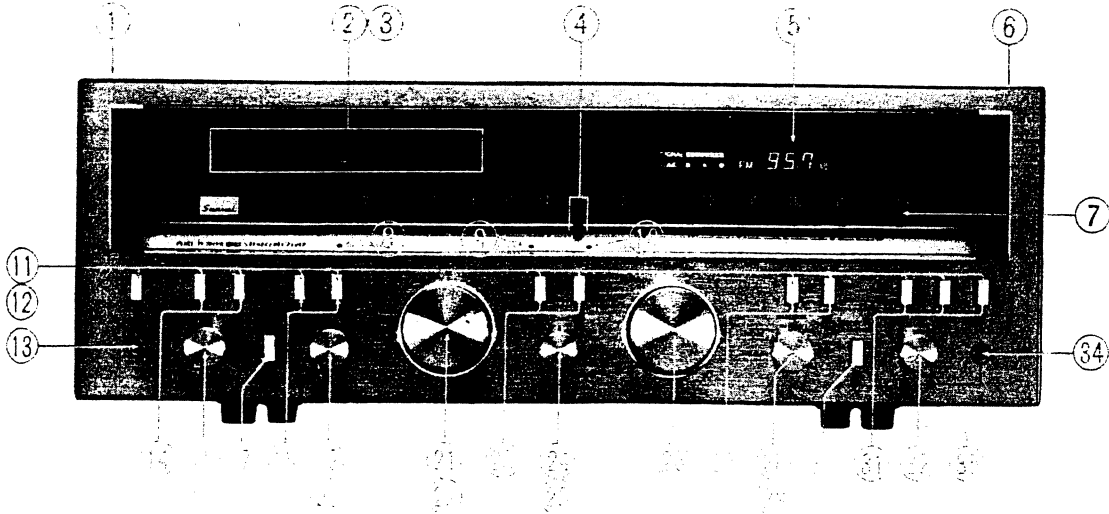
Parts List <L-CH/R-CH>

Parts No.	Stock No.	Description
•Transistor		
TR 601	0306760.1	2SC2580NLR O, Y
TR 602	0301110.1	2SA1105NLR O, Y
•Diode		
D 601	0340161.2	STV-3H Y, G
R 601	0159190	0.33kΩ x 2 5W Ce R

5-5. Front View <G-5700>



5-6. Front View <G-6700/G-7700>



Parts List (Front View) <G-5700>

Parts No.	Stock No.	Description	Parts No.	Stock No.	Description	Parts No.	Stock No.	Description
1	5727182	Wood Bonnet	9	0319060	Indicator, FM stereo (red)	22	1131560	1 Audio Muting & Loudness Switch
2	5446470	Smoked Plate	10	0319050	Indicator, quartz locked (green)	23	5319460	Knob, balance volume
3	5426520	LED Guide Plate	11	5319470	Push Switch Knob	24	1015340	1 Balance Volume, 250kΩ x 2 MN
4	7116101	Dial Pointer	12	1131890	Power Switch	25	5319410	Knob, tuning
5	0030060	Display Unit	13	2430400	Head Phone Jack	26	1131560	1 FM Muting Switch
6	7008430	Front Panel Ass'y	14	1131580	1 Speakers Switch	27	5319470	Knob, selector
	5048430	Masking Plate	15	5319470	Knob, bass volume	28	1103600	1 Selector Switch
	5396780	Knob Guide	16	1015360	1 Bass Volume, 100kΩ x 2	29	1131590	1 MODE Switch
	5408311	Front Glass	17	1131570	1 Tone & Subsonic Filter SW	30	1131560	1 FM Muting Switch
	5457620	Dial Flame	18	5319470	Knob, treble volume	31	5319460	Knob, mic level volume
	5517270	Masking Sheet	19	1015360	1 Treble Volume, 100kΩ x 2	32	1090340	1 Mic Level Volume, 20kΩA x 2
7	5408720	Dial Glass	20	5319420	Knob, master volume	33	2430400	Mic Jack
8	0319050	Indicator, safety operate (green)	21	1011160	1 Master Volume, 150kΩ x 2B	34	5516821	Leg

Parts List (Front View) <G-6700/G-7700>

Parts No.	Stock No.	Description	Parts No.	Stock No.	Description	Parts No.	Stock No.	Description
1	5727172	Wood Bonnet	8	0319050	Indicator, safety operate (green)	22	1011160	1 Master Volume, 150kΩ x 2B
2	5446470	Smoked Plate	9	0319060	Indicator, FM stereo (red)	23	1131560	1 Audio Muting & Loudness Switch
3	5426521	LED Guide Plate	10	0319050	Indicator, quartz locked (green)	24	5319460	Knob, balance volume
4	7116101	Dial Pointer	11	5319491	Push Switch Knob	25	1015340	1 Balance Volume, 250kΩ x 2 MN
5	0030060	Display Unit	12	1131890	Power Switch	26	5319410	Knob, tuning
6	7008630	Front Panel Ass'y <G-6700 only>	13	2430400	Head Phone Jack	27	1131600	1 FM Muting & Mode Switch
	7008410	Front Panel Ass'y <G-7700 only>	14	1131580	1 Speaker Switch	28	5319470	Knob, selector
	5048430	Masking Plate	15	5319470	Knob, bass volume	29	1190710	1 Selector Switch
	5396781	Knob Guide	16	1015360	1 Bass Volume, 100kΩ x 2	30	1131620	1 Dolby FM Switch
	5408700	Front Glass	17	1131630	1 Tone Switch	31	1131610	1 Tape Monitor & Source Monitor Switch
	5457620	Dial Flame	18	1131580	1 Filters Switch	32	5319460	Knob, mic level volume
	5517270	Masking Sheet	19	5319470	Knob, treble volume	33	1090340	1 Mic Level Volume, 20kΩA x 2
7	5408830	Dial Glass <G-6700 only>	20	1015360	1 Treble Volume, 100kΩ x 2	34	2430400	Mic Jack
	5408710	Dial Glass <G-7700 only>	21	5319420	Knob, master volume	35	5516821	Leg

7. THREADING OF DIAL CORD

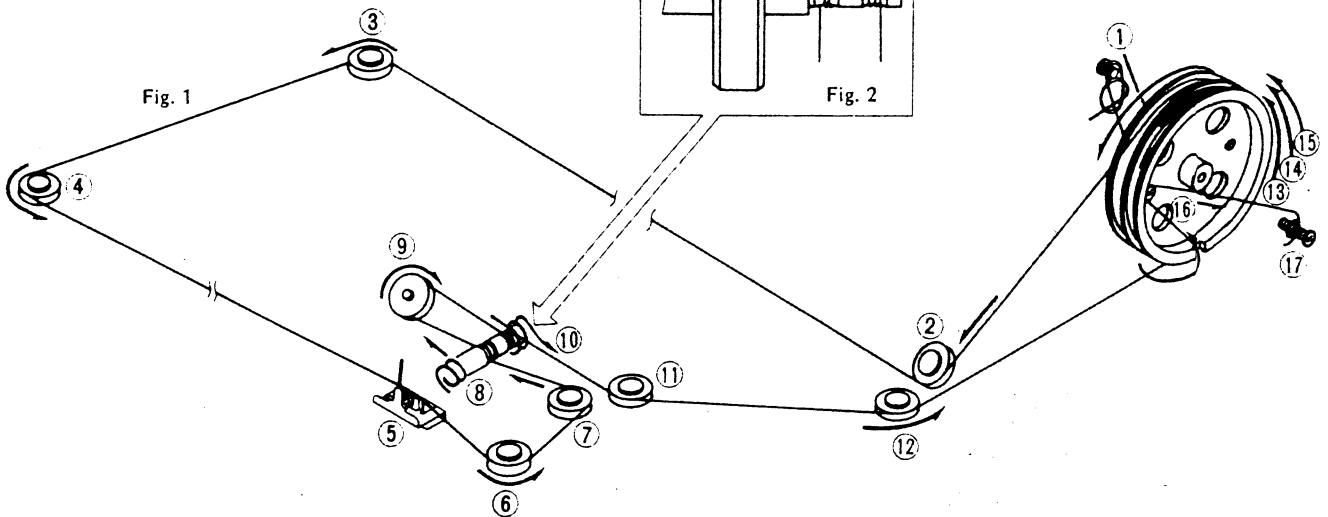
- If a dial cord is cut off or slips, replace it by following procedures. As this unit uses 0.5 mmφ cord, please replace it with the same type certainly.
- The length of dial cord is approximately 200 cm (78.7 inch).

1. Threading of Dial Cord

Thread the dial cord in numerical order from 1 to 17 as Fig. 1.

- Open the variable capacitor completely.

* Dial Cord (0.5 mmφ) (Stock No. 6036050)



2. Attachment of Dial Pointer

1. After installing the dial string, turn on the power switch. If the digital display is in the "FM Reception" state as shown in Fig. 8-2, turn the tuning knob until the digital display indicates 98.0 MHz. Then, fix the pointer to the dial string, after setting the pointer to the 98.0 MHz value of the scale.

2. After attaching Dial pointer, confirm Dial pointer moves from 88 MHz to 108 MHz to turn the tuning knob.

8. PACKING LIST

• G-5700

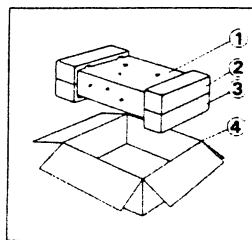
Parts No.	Stock No.	Description
1	9116790	Vinyl Cover
2	9028141	Styrofoam Packing, upper
3	9028151	Styrofoam Packing, lower
4	9001951	Carton Case

• G-6700

Parts No.	Stock No.	Description
1	9116810	Vinyl Cover
2	9028260	Styrofoam Packing, upper
3	9028270	Styrofoam Packing, lower
4	{9056350 9001931	Carton Case <G-6700> Carton Case <G-7700>

• G-7700

Parts No.	Stock No.	Description
1	9116810	Vinyl Cover
2	9028260	Styrofoam Packing, upper
3	9028270	Styrofoam Packing, lower
4	{9001931 9056350	Carton Case <G-7700> Carton Case <G-6700>



9. ACCESSORY PARTS LIST

• G-5700

Stock No.	Description
9205030	Operating Instructions
9238340	Schematic Diagram
3820100	FM Antenna

• G-6700

Stock No.	Description
9205620	Operating Instructions
9238470	Schematic Diagram
3820100	FM Antenna

• G-7700

Stock No.	Description
9205020	Operating Instructions
9238220	Schematic Diagram
3820100	FM Antenna



SANSUI ELECTRONICS CORPORATION: 1250 Valley Brook Ave. Lyndhurst, N.J. 07071 U.S.A.

333 West Alondra Blvd. Gardena, California 90247 U.S.A.

3036 Koapaka St. Honolulu, Hawaii 96819 U.S.A.

North Trade Bldg (9th floor) Noorderlaan 133-Bus 1, 2030 Antwerp, Belgium

Arabella center, 6 Frankfurt AM Main, Lyoner Strasse 44-48, West Germany

SANSUI AUDIO EUROPE N.V.:

SANSUI AUDIO EUROPE S.A.:

SANSUI ELECTRIC COMPANY LTD.: 14-1, Izumi 2-chome, Suginamiku, Tokyo 168 Japan PHONE: (03) 323-1111/TELEX: 232-2076