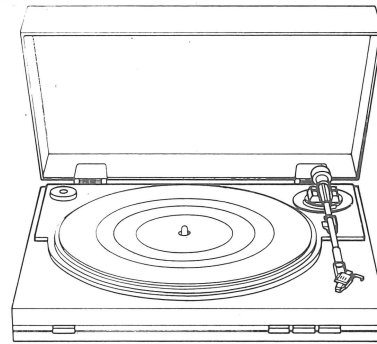





SERVICE MANUAL

P-2000

BELT DRIVE TURNTABLE



CAUTION

1. Parts identified by the  symbol on the schematic diagram and the parts list are critical for safety. Use only replacement parts that have critical characteristics recommended by the manufacturer.
2. Make leakage-current or resistance measurements to determine that exposed parts are acceptably insulated from the supply circuit before returning the appliance to the customer.

Specifications

Type	Belt drive system	Weight	3.3 kg (7.3 lbs.) net
Rated speeds	33-1/3, 45 rpm		4.3 kg (9.5 lbs.) packed
Platter	Aluminum alloy diecast, 295 mm (11-19/32") diameter, 0.5 kg (1.1 lbs.) weight	Pick up	
Motor	DC servo motor	Output voltage	3.6 mV (1,000 Hz, 50 mm/sec)
Wow/flutter	0.1% (WRMS)	Correct load impedance ...	47 kohms
Signal-to-noise ratio	Better than 72 dB (DIN-B)	Frequency response	20~20,000 Hz
Effective tonearm length ...	215 mm (8-15/32")	Stylus	0.6 mil diamond stylus (SN-333 replacement stylus)
Power voltage	120V/220~240V (50/60 Hz)		
For U.S.A and Canada ...	120 V (60 Hz)		
Power consumption	3 W		
Dimensions	430 mm (16-15/16") W 110 mm (4-11/32") H 358 mm (14-3/32") D		

* Design and specifications subject to change without notice for improvements.

NOTE

1. The symbols, UL, EU, and XX <EXPORT> on the parts list and the schematic diagram mean followings respectively.

- UL Manufactured for U.S.A. market.
(Underwriters Laboratories approved model.)
- EU Manufactured for European market
- SS Manufactured for Saudi Arabia market.
- XX Standard Version.
- <EXPORT>
- NON MARK Common Parts.

2. Some printed circuit boards are not supplied as the assembled.

To separate these in this service manual, the stock Numbers are not indicated for these boards. However, stock numbers for individual parts are indicated.

3. Since some capacitors and resistors are omitted from electrical parts list in this service manual, refer to the Common Parts List for capacitors and resistors, which was issued on June 1987.

4. Abbreviations in this service manual are as follows.

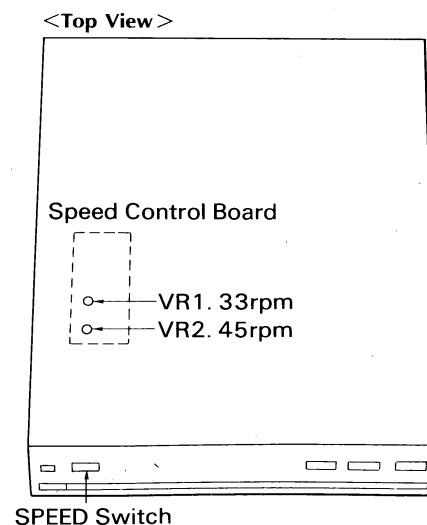
•Abbreviations List

- C.R. : Carbon Resistor
- S.R. : Solid Resistor
- Ce.R. : Cement Resistor
- M.R. : Metal Film Resistor
- F.R. : Fusing Resistor
- N.I.R. : Non-Inflammable Resistor
- A.R. : Array Resistor
- C.C. : Ceramic Capacitor
- C.T. : Ceramic Capacitor, Temperature Compensation
- E.C. : Electrolytic Capacitor
- E.L. : Low Leak Electrolytic Capacitor
- E.B. : Bi-Polar Electrolytic Capacitor
- E.B.L. : Low Leak Bi-Polar Electrolytic Capacitor
- Ta.C. : Tantalum Capacitor
- F.C. : Film Capacitor
- M.P. : Metalized Paper Capacitor
- P.C. : Polystyrene Capacitor
- G.C. : Gimmic Capacitor
- A.C. : Array Capacitor
- V.R. : Variable Resistor
- S.V.R. : Semi Variable Resistor
- SW. : Switch
- Chip R. : Chip Resistor
- Chip C. : Chip Capacitor

1. SPEED ADJUSTMENT

1. Set the speed to 33 rpm and adjust the VR1 on the speed control board so that the 33 rpm strobo pattern is seen stop. (See Fig. 1)
2. Set the speed to 45 rpm and adjust the VR2 on the speed control board so that the 33 rpm strobo pattern is seen stop. (See Fig. 1)

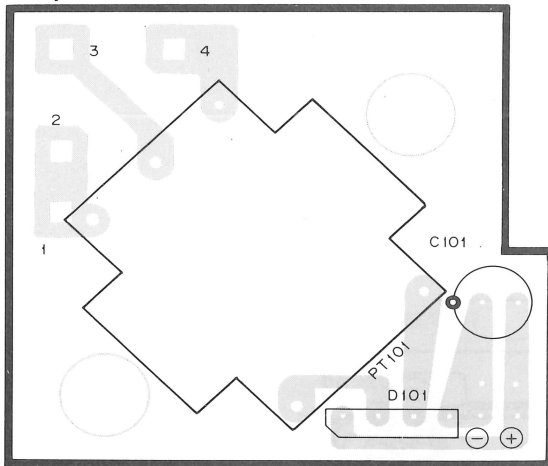
Fig. 1



2. PARTS LOCATION & PARTS LIST

2-1. Power Supply Board

Component Side

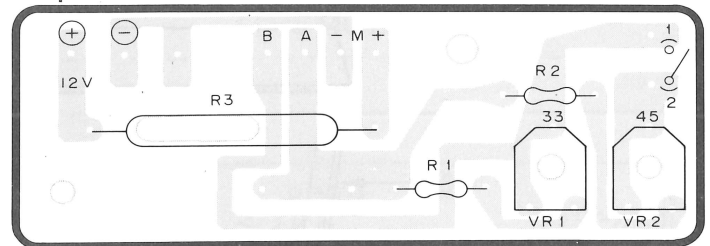


Parts List

Parts No.	Stock No.	Description
• Diode		
△ D101	58507800	Diode S1VB10
△ PT101	58610500	Power Transformer
△ PT101	58612700	Power Transformer<SS,XX>
△ PT101	58612300	Power Transformer<EU>
△	58612800	Power Supply Voltage Selector <XX,SS>

2-2. Speed Control Board

Component Side

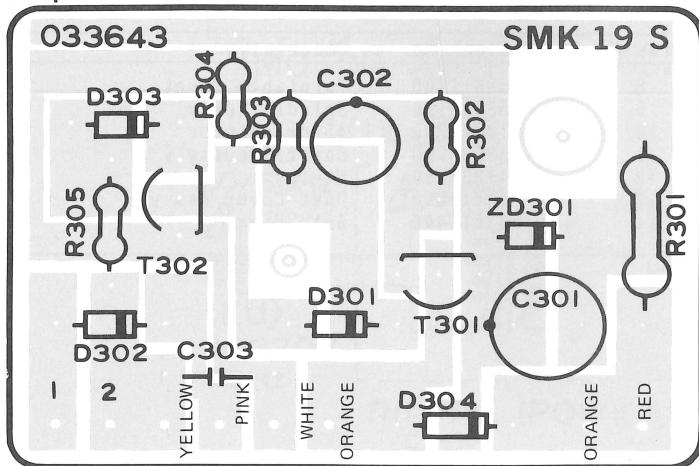


Parts List

Parts No.	Stock No.	Description
△ R3	46902900	47Ω 3W N.I.R.
VR1	58516900	1kΩ S.V.R. 33rpm Adj.
VR2	58516800	500Ω S.V.R. 45rpm Adj.

2-3. Remote Control Board

Component Side

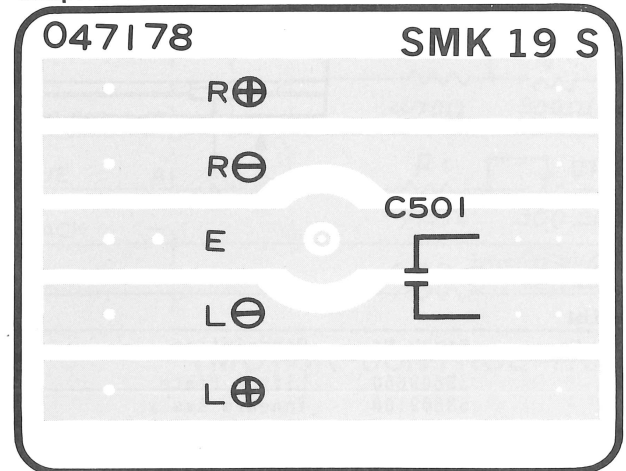


Parts List

Parts No.	Stock No.	Description
• Transistor		
T301	03069101	2SC2060
T302	07194801	2SC1815
• Diode		
D301~304	46086000	1S-1588
• Zener Diode		
ZD301	46100100	0Z5.1B

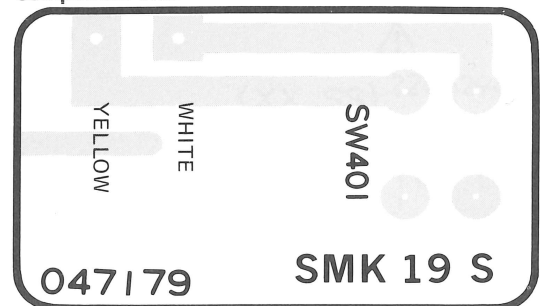
2-4. PU Out Board

Component Side



2-5. START/STOP SW. Board

Component Side

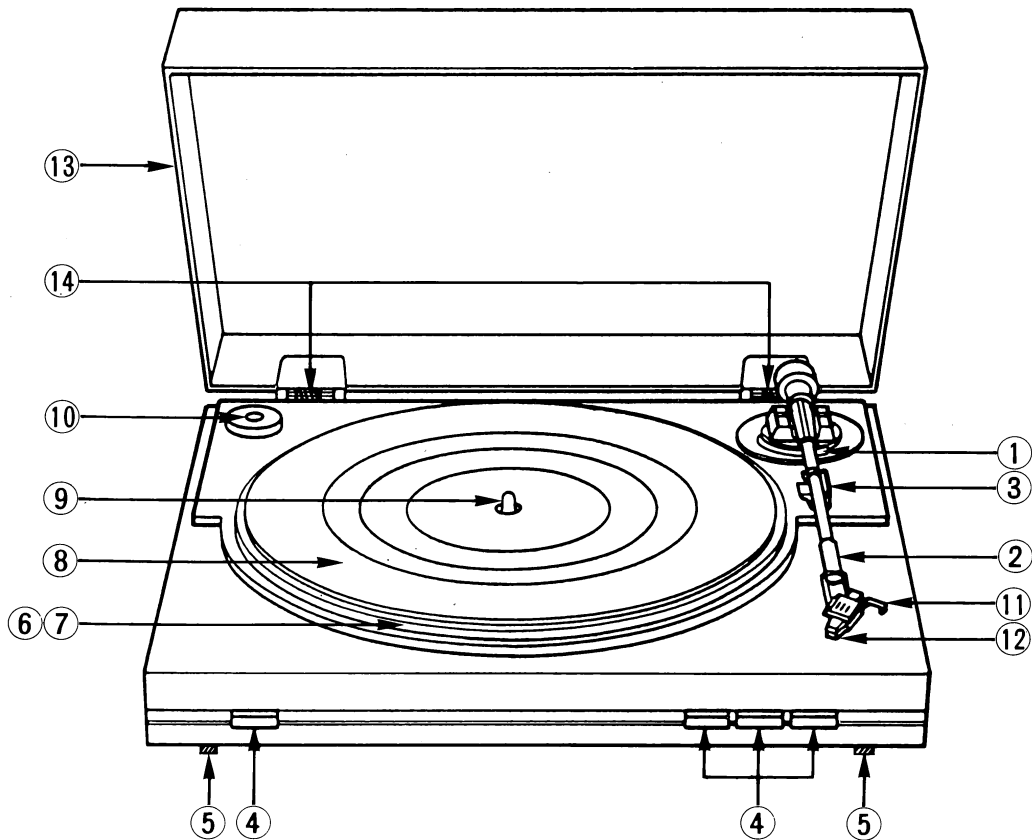


Parts List

Parts No.	Stock No.	Description
SW-401	58611000	Tact SW., START/STOP

3. OTHER PARTS

3-1. Front View

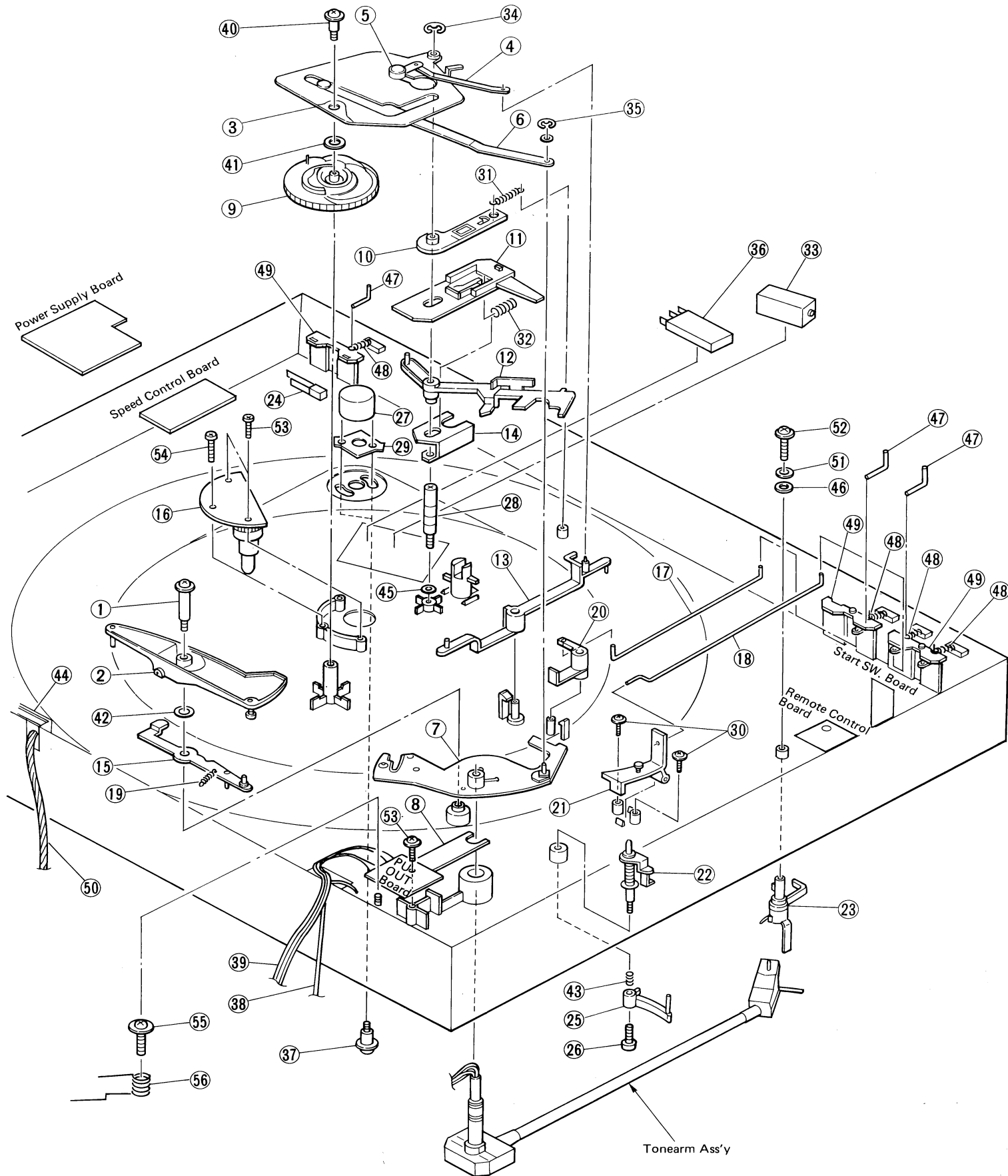


Parts List

Parts No.	Stock No.	Description
1	58609600	Lifter Plate
2	58609100	Tonearm Ass'y
3	58609000	Arm Rest
4	58610000	Push Knob Ass'y
5	58611100	Insulator
6	58611500	Turntable Platter
7	58611600	Belt

Parts No.	Stock No.	Description
8	58611700	Turntable Sheet
9	58500100	Spindle Ass'y
10	13012300	45rpm Adaptor
11	58509200	Cartridge Ass'y
12	49335200	Stylus
13	58611300	Dust Cover Ass'y
14	58611400	Auto Hinge

3-2. Exploded View of Mechanism



Parts List <Mechanism>

Parts No.	Stock No.	Description
1	58608500	Special Screw
2	58608300	Turntable Sub Ass'y
3	58501800	Trip Base
4	58507000	Change Plate
5	58507100	Change Lever
6	58608700	Trip Arm
7	58609400	Stopper Ass'y
8	58507700	Arm Hold Plate
9	58501100	Main Gear Ass'y
10	58608000	Repeat Lever
11	58500400	Start Lever
12	58607900	SW., Lever-2
13	58608600	SW., Lever-1
14	58500200	Clutch Lever
15	58608100	Select Arm
16	58500100	Spindle Ass'y
17	58608200	Rod SIZE
18	58609900	Rod CUEING
19	58501000	Select Spring
20	58501300	Selector
21	58502900	Lifter Lever
22	58609500	Lifter Axis Ass'y
23	58609000	Arm Rest
24	58610400	Leaf SW., SPEED
25	58609600	Lifter Plate
26	58609700	Screw 2.6×14
27	58503900	Motor
28	58500800	Special Screw
29	58610100	Insulator, Motor
30	00422000	Screw 3×8

Parts No.	Stock No.	Description
31	58500700	Select Spring
32	58500510	Lever Spring
33	58610600	Plunger
34	00489300	E-Type Washer, E-4
35	58506500	CS-Type CS-4
△ 36	58504300	Micro SW., PLAY/STOP
37	58610200	Special Screw Motor
38	58610900	Remote Control Cord
39	13234400	PU Output Cord
40	58608800	Special Screw
41	58608900	Washer W3.2×10×0.8
42	58608400	Washer W3×10
43	58502800	Lifter Spring
44	58507300	Cord Holder
45	_____	Washer W3.2×8×0.5
46	_____	Washer W3.2×6×0.5
47	58503500	Cam Spring
48	58503600	Spring, Knob
49	58503700	Holder, Knob
△ 50	58612900	Power Supply Cord<SS>
△ 51	58613100	Power Supply Cord<XX>
△ 52	58612400	Power Supply Cord<EU>
△ 53	58613000	Power Supply Cord
54	00469700	Spring Washer, 3Φ
55	51627000	Bind Tapping Screw 3×10
56	00422100	Screw, 3×10
57	00422200	Screw, 3×12
58	58505100	Special Screw
59	58609300	I.F.C Spring

3-3. Mechanical Parts Replacement

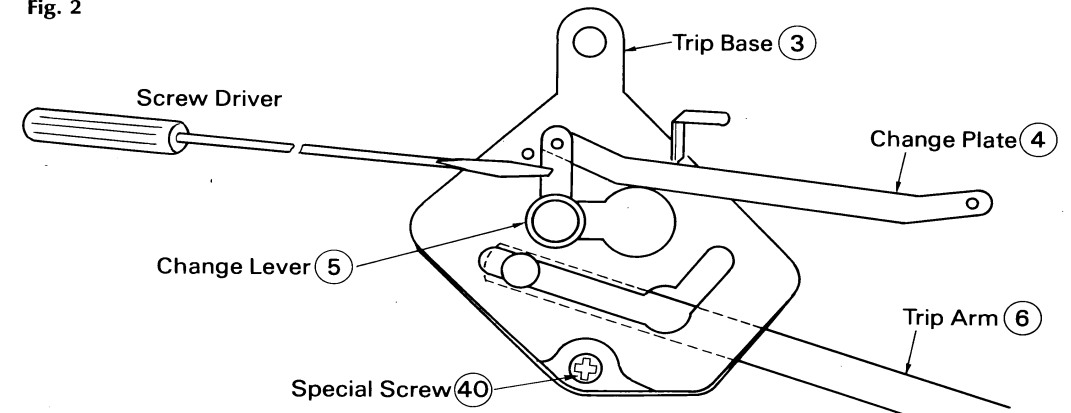
A. Tone Arm Ass'y

1. Remove the turntable ass'y ② by removing the screw ①
2. Remove the E type washer ③ and special screw ④. And remove the change plate ⑤ by rifting up change lever on the trip base ③ using screw driver. (See fig. 2)
3. Take off the trip arm ⑥ while rifting up the trip base ③. Note: Be careful to avoid bending change plate ④ and trip arm ⑥ as connecting to other parts.
4. Remove the select arm by removing the spring ⑩ of the select arm ass'y ⑮
5. Pull out the stopper ass'y ② by loosening two stopper ass'y fixing screw.
6. Take off arm holder plate by removing the screw ③ then pull out the tonearm ass'y.

B. Switch Lever 2 ⑫

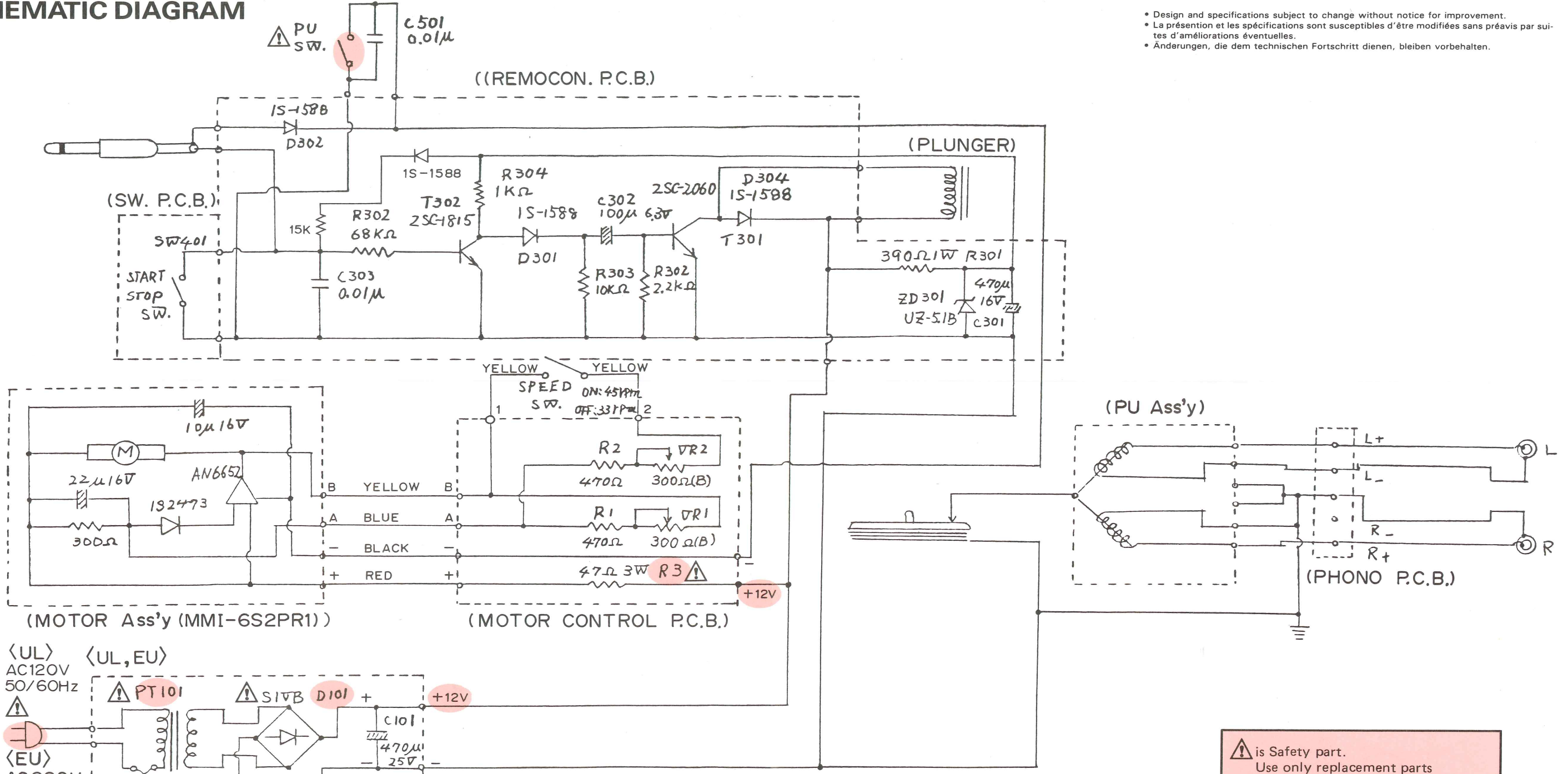
1. Remove change lever ⑤ (Refer to A "Tone Arm Ass'y") Pluck out the repeat lever ⑩ by removing the E type washer ③ and the spring ⑪. Note: Be careful to avoid losing the spring ⑪ in start lever ① and flat washer.
2. Pull out switch lever 2 ⑫ by removing the E type washer ③

Fig. 2



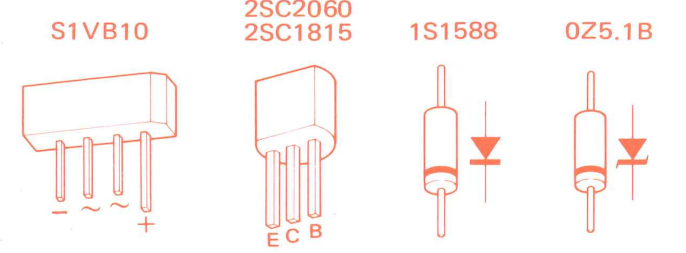
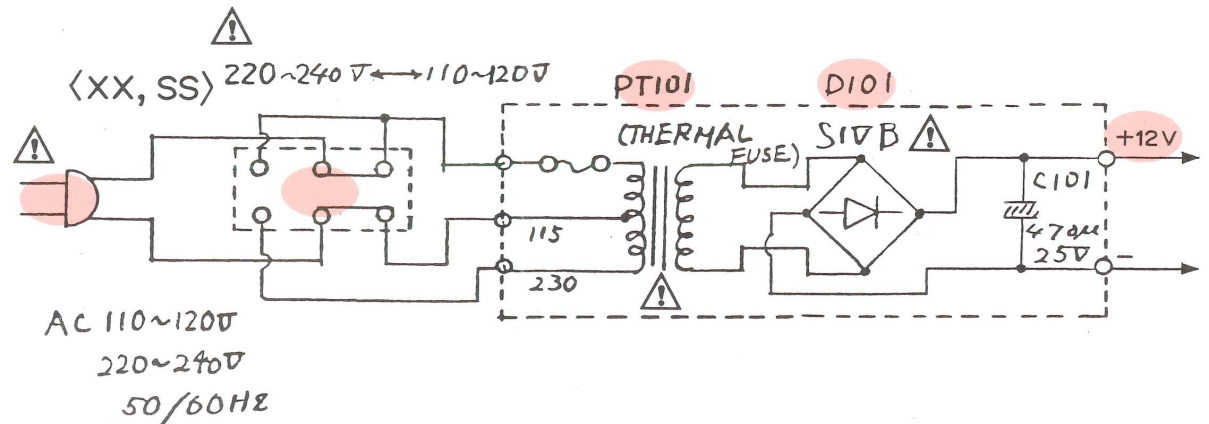
4. SCHEMATIC DIAGRAM

- Design and specifications subject to change without notice for improvement.
- La présentation et les spécifications sont susceptibles d'être modifiées sans préavis par suites d'améliorations éventuelles.
- Änderungen, die dem technischen Fortschritt dienen, bleiben vorbehalten.



⚠ is Safety part.
Use only replacement parts recommended by the manufacturer.

AC 110~120V 220~240V 50/60Hz
THERMAL FUSE (POWER SUPPLY P.C.B.)



1
2
3
4
5

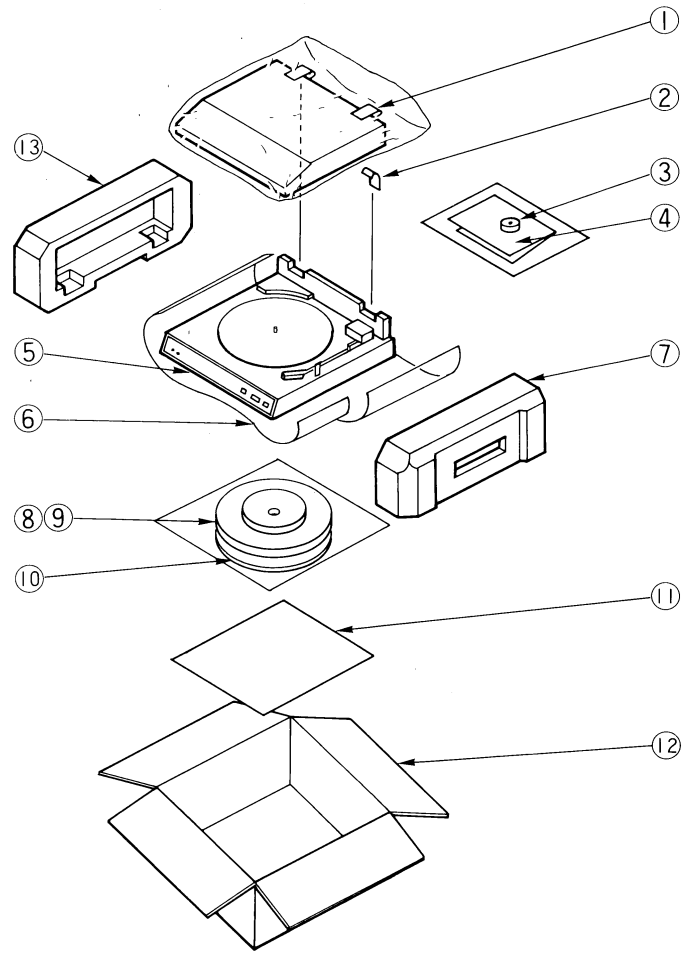
5. PACKING & PARTS LIST

Parts List

Parts No.	Stock No.	Description
1	58611300	Dust Cover Ass'y
2	58611400	Auto Hinge
3	13012300	45rpm Adaptor
4	49041000	Operating Instruction(*E·F·S·I)
	49041100	Operating Instruction(*G·SW)
5		Turntable Unit
6		Polyethylene Bag
7	58611900	Styrofoam Packing < Right >
8	58611500	Turntable Platter
9	58611600	Belt
10	58611700	Turntable Sheet
11	58612100	Corrugated Board
12	58612000	Carton Case
13	58611800	Styrofoam Packing < Left >

*NOTE

E·F·S·I: English·French·Spanish and Italian Version.
 G·SW : German and Swedish Version.





SANSUI ELECTRIC CO., LTD.:

14-1, Izumi 2-chome, Suginami-ku, Tokyo 168 Japan
PHONE: (03) 324-8891 / TELEX: 232-2076 (International Division)

SANSUI ELECTRONICS CORPORATION:

1250 Valley Brook Ave. Lyndhurst, N.J. 07071 U.S.A.
17150 South Margay Ave. Carson, California 90746 U.S.A.
3036 Koapaka Street, Honolulu, Hawaii 96819 U.S.A.

SANSUI ELECTRONICS G.M.B.H.:

Paul Ehrlich Strasse 8, 6074 Rödermark 2, West Germany

山水電気株式会社

東京都杉並区和泉2-14-1(〒168)