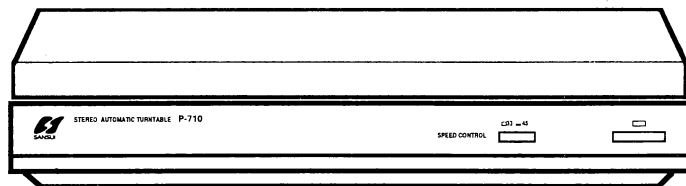




# SERVICE MANUAL

## P-710

### FULLY AUTOMATIC TURNTABLE



#### NOTICE

The symbols SS and XX <EXPORT> on the parts list and the schematic diagram mean followings respectively.

- SS . . . . . Manufactured for Saudi Arabian market.
- XX . . . . . Standard Version.
- <EXPORT>
- NON MARK . . . . . Common Parts.

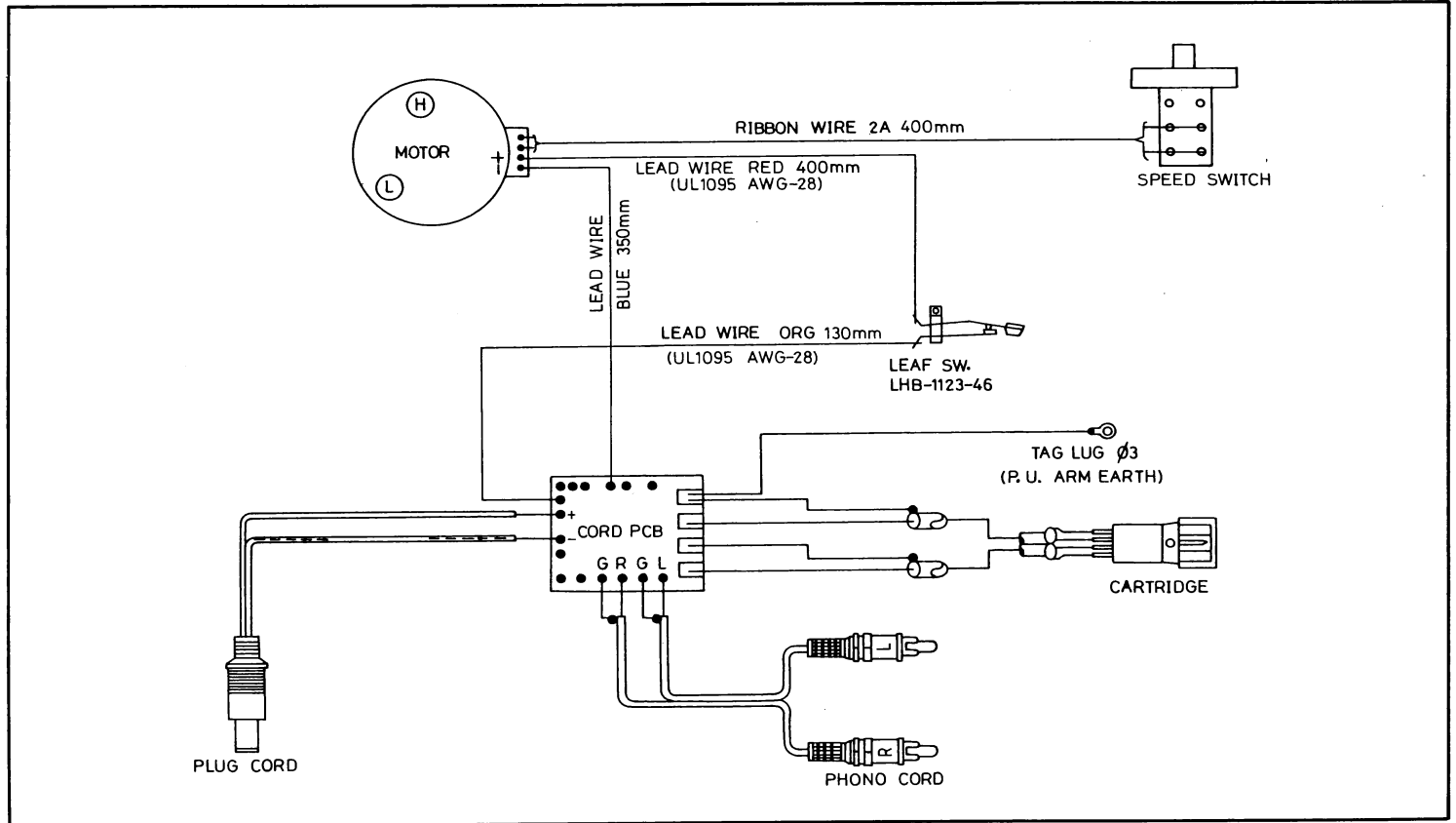
### Specifications

Type . . . . .	Belt drive system
Rated speeds . . . . .	33-1/3, 45 rpm
Platter . . . . .	300 mm (11-13/16") diameter
Motor . . . . .	DC servo motor
Wow/flutter . . . . .	0.25% (WRMS)
Signal-to-noise ratio . . . . .	Better than 45 dB (DIN-B)
Dimensions . . . . .	420 mm (16-1/2") 114 mm (4-1/2") 350 mm (13-13/16")
Weight . . . . .	2.2 kgs (4.9 lbs.) net

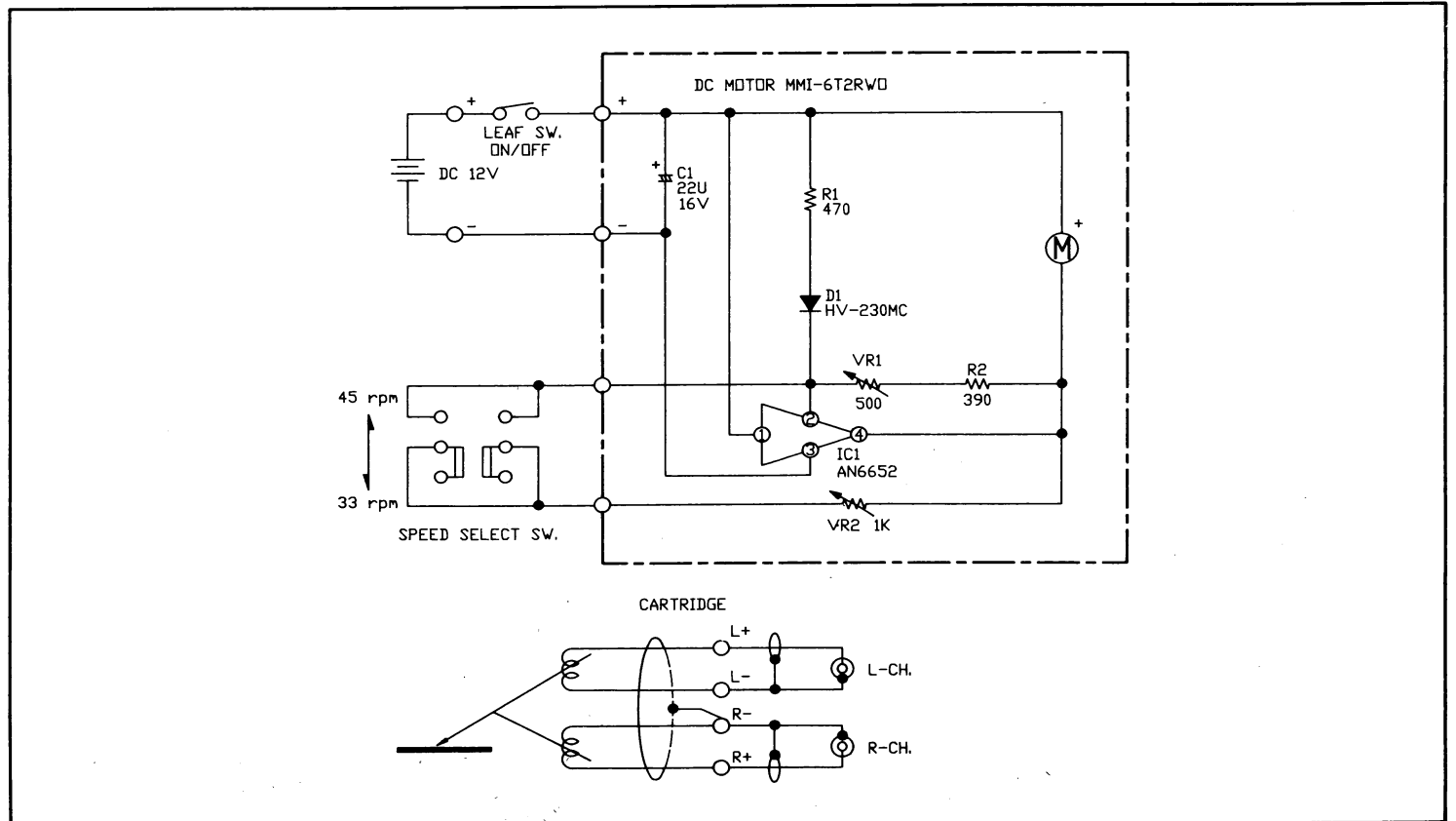
<b>Pick up</b>	
Output voltage . . . . .	2.5 mV (1,000 Hz, 3.54 mm/sec.)
Correct load impedance . . . . .	47 kohms
Frequency response . . . . .	20—22,000 Hz
Stylus . . . . .	0.6 mil diamond stylus (SN-373 replacement stylus)

- Design and specifications subject to change without notice for improvements.

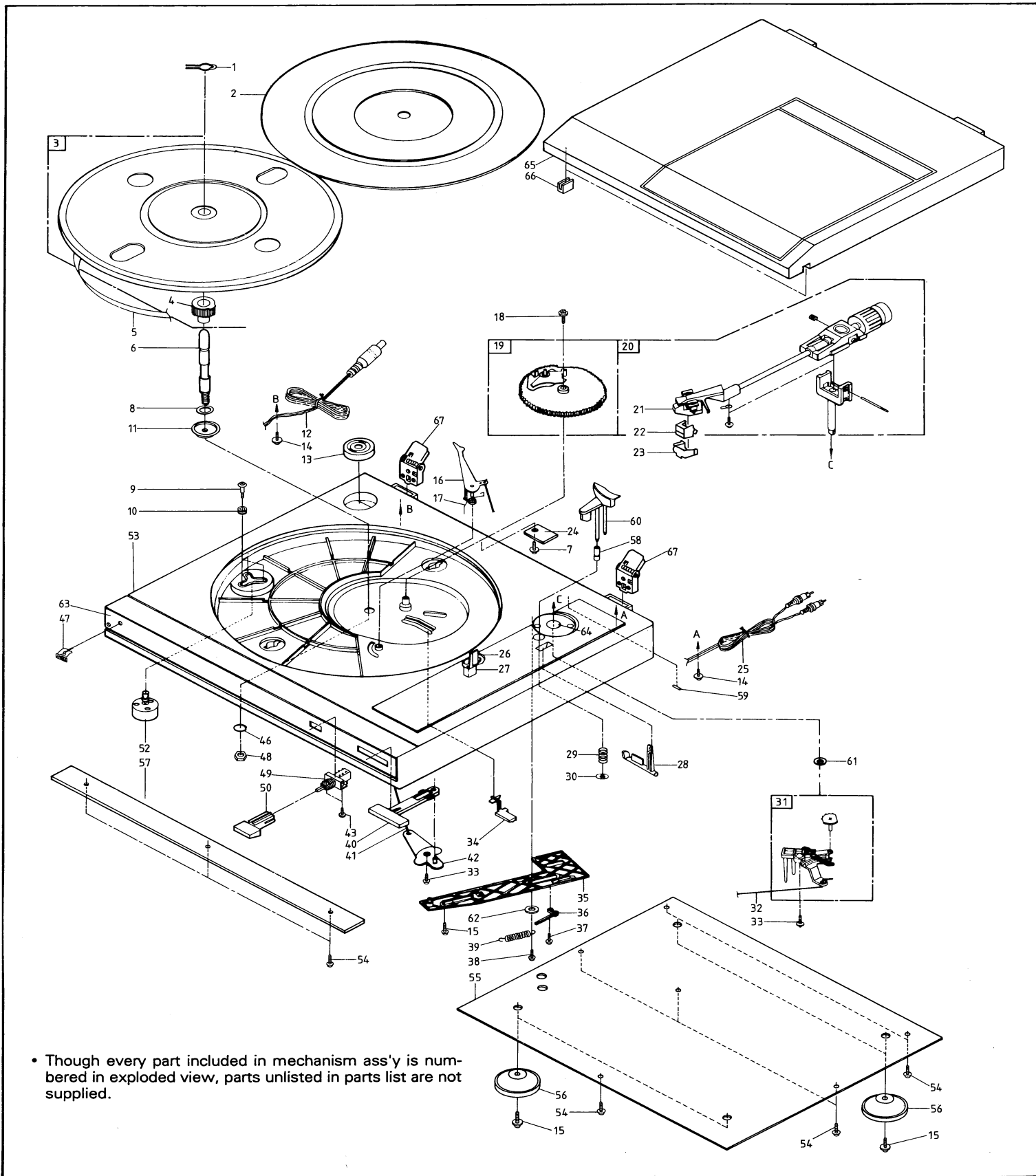
# 1. WIRING DIAGRAM



# 2. SCHEMATIC DIAGRAM



### 3. MECHANICAL EXPLODED VIEW

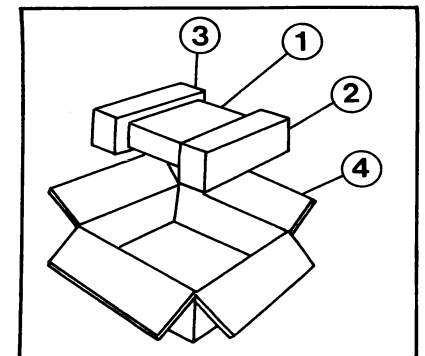


### 4. PARTS LIST OF UNIT

Ref. No.	Part No.	Description	Ref. No.	Part No.	Description
1	1006005025	Spindle Clip	32	2004005025	Trip Rod
2	0003102586	Turntable Mat Assembly	33	8761300812	7 (Taptite-P) CUP 3008 WF12 ZN3A
3	0002104291	Turntable Assembly	34	2019105025	Trip Lever
(4)	2024000278	Turntable Gear	35	2001005025	Slide Arm
5	2002005015	Turntable Belt	36	4406010046	Leaf Switch LSB-1123-46
6	2081000500	Turntable Spindle	37	8711200600	7 (Taptite-P) PAN 2006 ZN3A
7	8791300800	7 (Taptite-P) BRAZ 3008 ZN3A	38	2004100497	Slide Arm Screw 3x14 12D
8	2056000278	Poly Washer	39	2009105025	Slide Arm Spring
9	2015000284	Screw	40	1003101249	Stop Knob
10	2065100278	Grommet (A)	42	2009000037	Control Lever
11	3004100466	Flat Washer (5.2φx18φx1t)	43	8761301008	7 (Taptite-P) CUP 3010 WF08 ZN3A
12	4510055200	Plug Cord 1350mm 5.5φx2	46	2004100487	Spring Washer
13	1009000080	Turntable Adaptor	47	JS27833300	Sansui Badge
14	0004100492	Screw Assembly	48	3032100050	Nut 50 ZN3A
15	8761301012	7 (Taptite-P) CUP 3010 WF12 ZN3A	49	4430222507	Push Switch (SPUF12AF06)
16	2016005025	Reject Lever	50	1003101250	Speed Knob
17	2021005025	Reject Spring	52	C022000302	Motor Assembly (MMI-6T2RW0)
18	8761300810	7 (Taptite-P) CUP 3008 WF10 ZN3A	54	8762301008	7 (Taptite-P) CUP 3010 WF08 ZN3K
19	0002005025	Cam Gear Assembly	56	2003105015	Foot
20	0002104144	Pick Up Arm Assembly	58	2017005015	Viscous Shaft
21	1034000289	Cartridge Assembly (AT-3600L)	59	2002001306	Securing Rubber
22	1045000289	Stylus (SN-373)	60	1003100652	Lift Platform
23	1046000289	Cartridge Cover	61	3025921304	Poly Washer 8φx13φx0.4t
25	5620809509	Phono Cord 950mm	62	3021210011	Flat Washer
26	1004100520	P.U. Tube Hook	63	1002104383	Front Overlay
27	1003100874	P.U. Rest	64	1004100657	P.U. Hinge Collar
28	1015005015	Cue Lever	65	0067075556	Dust Cover Assembly
29	2003005016	Viscous Spring	66	2000000978	Dust Cover Stopper
30	2000000631	Push Nut 3φ	67	2000000893	Hinge
31	0004100993	Return Link Assembly			

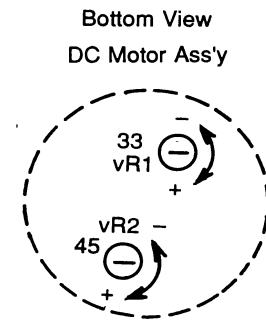
### 5. PACKING & ACCESSORY LIST

Ref. No.	Part No.	Description
1	9004104548	Poly Bag (56x72cm)
2	9001101197	Snow Box (R)
3	9001101195	Snow Box (L)
4	9002104413	Gift Box
	9004104532	Instruction Book
	9004104549	Poly Bag (23x40cm)
	1009000080	Turntable Adaptor



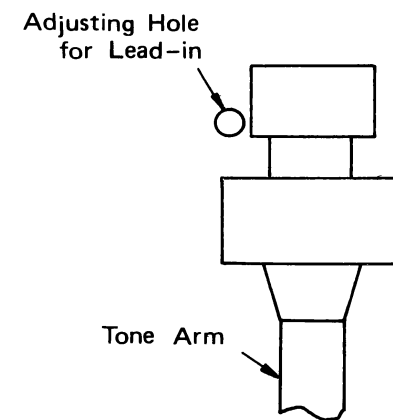
## 6. SPEED ADJUSTMENT

1. Set the speed switch to 33 rpm and adjust the VR1 on the speed control board so that the 33 rpm strobo pattern is seen stop.
2. Set the speed switch to 45 rpm and adjust the VR2 on the speed control board so that the 45 rpm strobo pattern is seen stop.



## 7. LEAD-IN ADJUSTMENT

1. Adjust the lead-in adjusting cam gear while pushing the driver a little so that the stylus tip may come down to the center of the lead-in groove. (Turn to counterclockwise the cam gear, so it will be later.)



**SANSUI**

SANSUI ELECTRIC CO, LTD.:	New River Building, 10-14, Shinkawa 1-chome, Chuo-ku Tokyo 104, Japan PHONE:(03)5566-1024 FAX:(03)5566-1027 (International Division)
SANSUI USA INC.:	1290 Wall Street West, Lyndhurst, New Jersey 07071 U.S.A. 17150 South Margay Ave, Carson, California 90746 U.S.A.
SANSUI DEUTSCHLAND GMBH:	Paul Ehrlich Strasse 8. 6074 Rödermark 2, F.R. Germany
山水電気株式会社	東京都中央区新川1-10-14 (〒104)