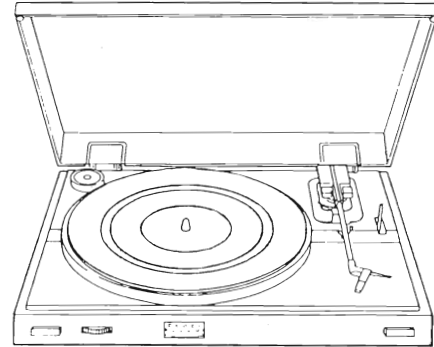




SERVICE MANUAL

P-900 P-900E

SEMI-AUTOMATIC BELT DRIVE
STEREO TURNTABLE



CAUTION

1. Parts identified by the symbol on the schematic diagram and the parts list are critical for safety.
Use only replacement parts that have critical characteristics recommended by the manufacturer.
2. Make leakage-current or resistance measurements to determine that exposed parts are acceptably insulated from the supply circuit before returning the appliance to the customer.

NOTE

The symbols, UL, CSA, EU, SSA & XX <EXPORT> on the parts list, wiring, Diagram, and the schematic diagram mean following respectively.

UL Manufactured for U.S.A. market (Underwriters Laboratories approved model.)

CSA Manufactured for Canadian market.

EU Manufactured for European market.

SSA Manufactured for Saudi Arabia market.

XX <EXPORT> Standard Version.

NON MARK Comon Parts.

Specifications

Type	Belt drive system
Rated speeds	33-1/3, 45 rpm
Platter	Aluminum alloy diecast, 295 mm (11-19/32") di- ameter,
Motor	DC servo motor
Wow/flutter	0.1% (WRMS)
Signal-to-noise ratio	Better than 72 dB (DIN-B)
Power voltage	120V/220~240V (50/60 Hz)
For U.S.A. and Canada	120V (60 Hz)
Power consumption	4W

Dimensions	420 mm (16-17/32") W 92 mm (3-5/8") H 331 mm (13-1/32") D
Weight	4 kg (8.8 lbs.) net 4.8 kg (10.6 lbs.)

Pick up (SV-P323)

Replacement stylus SN-323

* Design and specifications subject to change without notice for improvements.

1. ADJUSTMENT INSTRUCTIONS

1. Auto return range adjustment

- (1) If tone arm returns too early or does not return at all, adjust the auto return point in the hole located at the right side of tone arm as follows.
- (2) Lock tone arm to the arm rest and turn adj cam to counterclockwise.

Auto return point will be later or earlier.

The stylus auto return position at 3mm pitch disk is
 4.517" – 4.205" (114.74 – 106.82mm) from the center shaft.

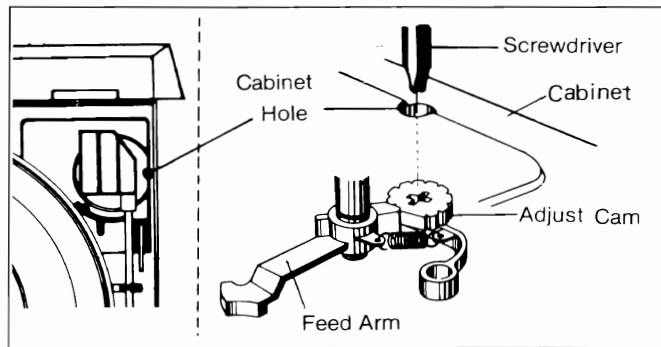


Fig. 1

2. Pick-up height adjustment

Tone arm actuates AUTOMATIC RETURN at the end of record.

The distance between pickup stylus and surface of single record in the arm return mode is typically 0.2" – 0.4" (5-10mm).

Adjustment of this elevation is accomplished by means of cam adjust screw. (see Fig.2).

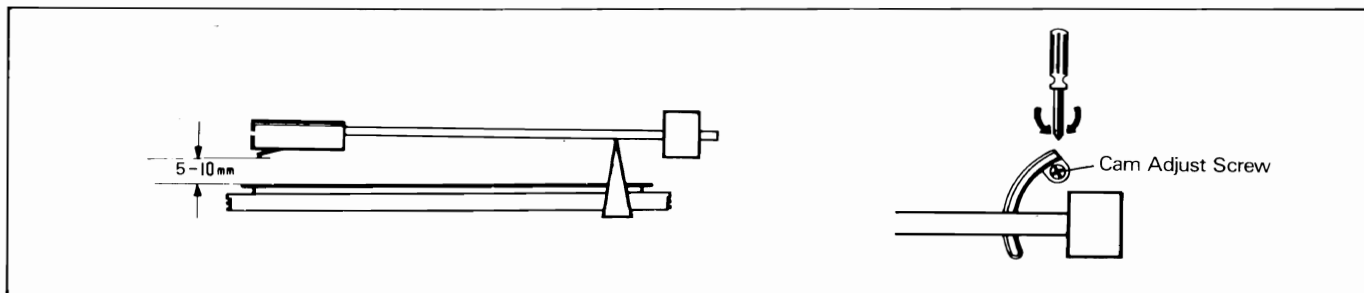


Fig. 2

Note: When a cartridge is replaced, adjust the stylus tip height as the same manner.

3. Speed adjustment

1. Adjust the pitch control knob so that strobodots look like stopped.

(1) + Direction control

When rotation speed is slow, turn the pitch control knob to the left.

(2) – Direction control

When rotation speed is fast, turn the pitch control knob to the right.

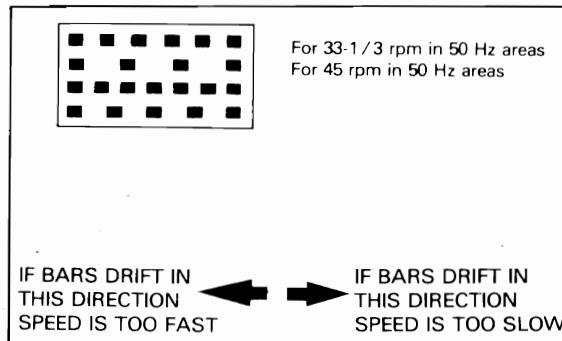


Fig. 3

2. Pitch control range adjustment

- (1) Set pitch control knob to its mechanical center.
- (2) Select required speed.
- (3) Adjust semifixed resistor with small minus driver until strobodots looks like stopped. (see Fig.4)
- (4) Repeat for second speed.

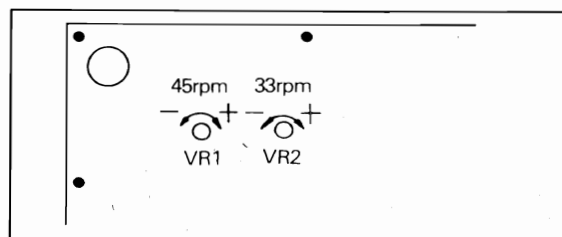
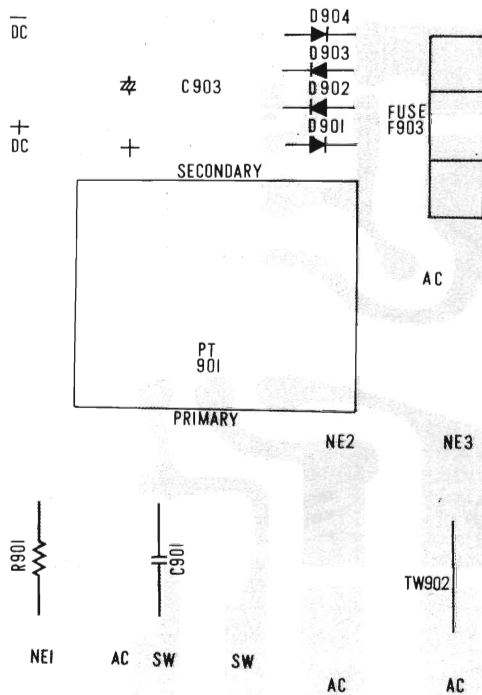


Fig. 4

2. PARTS LOCATIONS & PARTS LIST OF BOARD

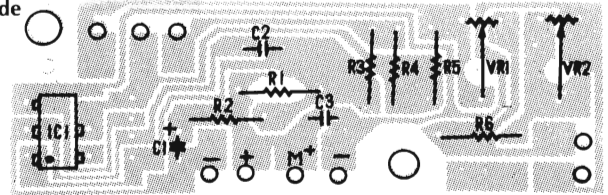
2-1. Power Supply Board (stock No. 58566900=XX Pattern Side 58584700=UL 58584800=CSA 58584900=EU)



Parts List

Parts No.	Stock No.	Description
D901~904	37021900	1N-4001, Rectifier
△ C901	58584400	0.01μF 125V<UL, CSA>
△	or 58569800	0.01μF 250V F.C. <XX, EU, SSA>
C902	48460600	1000μF 16V E.C.
R901	58569900	100kΩ 2W Metal Film Resistor<XX, EU, SSA>
	or 58584500	17kΩ 2W Metal Film Resistor<UL, CSA>
△ F903	58569600	250V 200mA, 5Φ 20mm, Fuse <XX, EU, SSA>
△ PT901	58584300	Power Transformer<CSA>
△	or 58569700	Power Transformer<XX, SSA>
△	or 58584000	Power Transformer
△	or 58584600	Power Transformer<EU>
△	58569400	Power Voltage Selector SW.<XX, SSA>

2-2. Motor Control Board Pattern Side



Parts List

Parts No.	Stock No.	Description
·IC		
IC1	58607700	LA5515
vR1, vR2	07241300	S.V.R, 10kΩ B
C1	48461000	4.7μF 25V E.C.
C2	00382700	0.0022μF 50V C.C.
C3	00383900	0.0047μF 50V C.C.
R1	46478100	2kΩ 1/8W C.R.
R2	46478000	1.8kΩ 1/8W C.R.
R3	46478600	3.3kΩ 1/8W C.R.
R4	46478200	2.2kΩ 1/8W C.R.
R5	46476800	510Ω 1/8W C.R.
R6	46499600	680Ω 1/8W C.R.

2-3. Neon Lamp Board Pattern Side



AC



Parts List

Parts No.	Stock No.	Description
R902	46483000	220kΩ 1/6W C.R.
NL902	58569500	Neon Lamp

2-4. Phone Terminal Board Pattern Side

PHONO

R

G

L

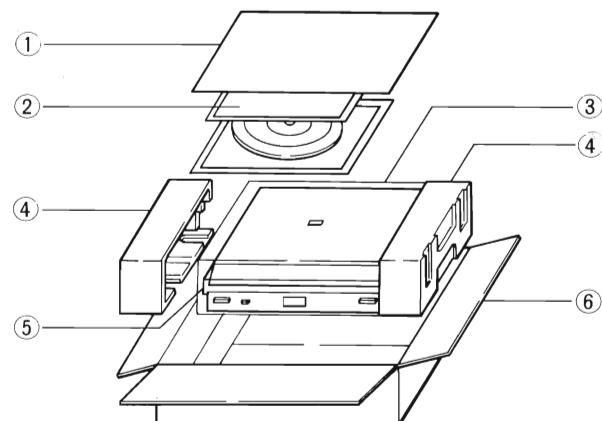
DO

W.S.M. CO
S.A.K. MI. CO

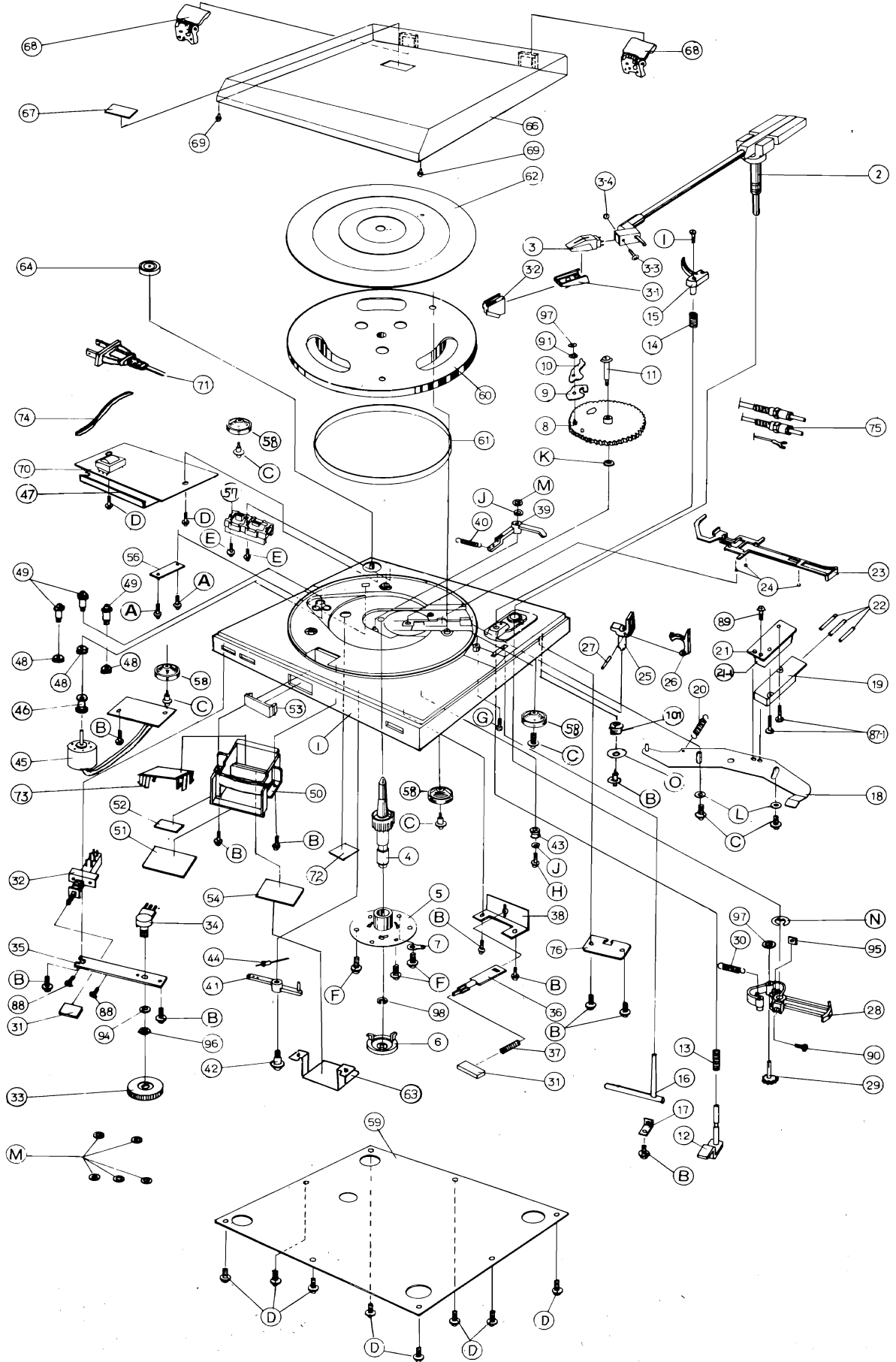
3. PACKING LIST

Parts List

Parts No.	Stock No.	Description
①	58569000	Upper Pad
②	58569100	Operating Instruction
③	47859600	Vinyl Bag
④	58568900	Styrofoam Packing
⑤	58568800	Spacer Cushion
⑥	58568700	Carton Case with E Mark, P-900E (The unit without a cartridge)
	58607500	Carton Case, P-900 (The unit with a cartridge)



4. EXPLODED VIEW & PARTS LIST OF MECHANISM



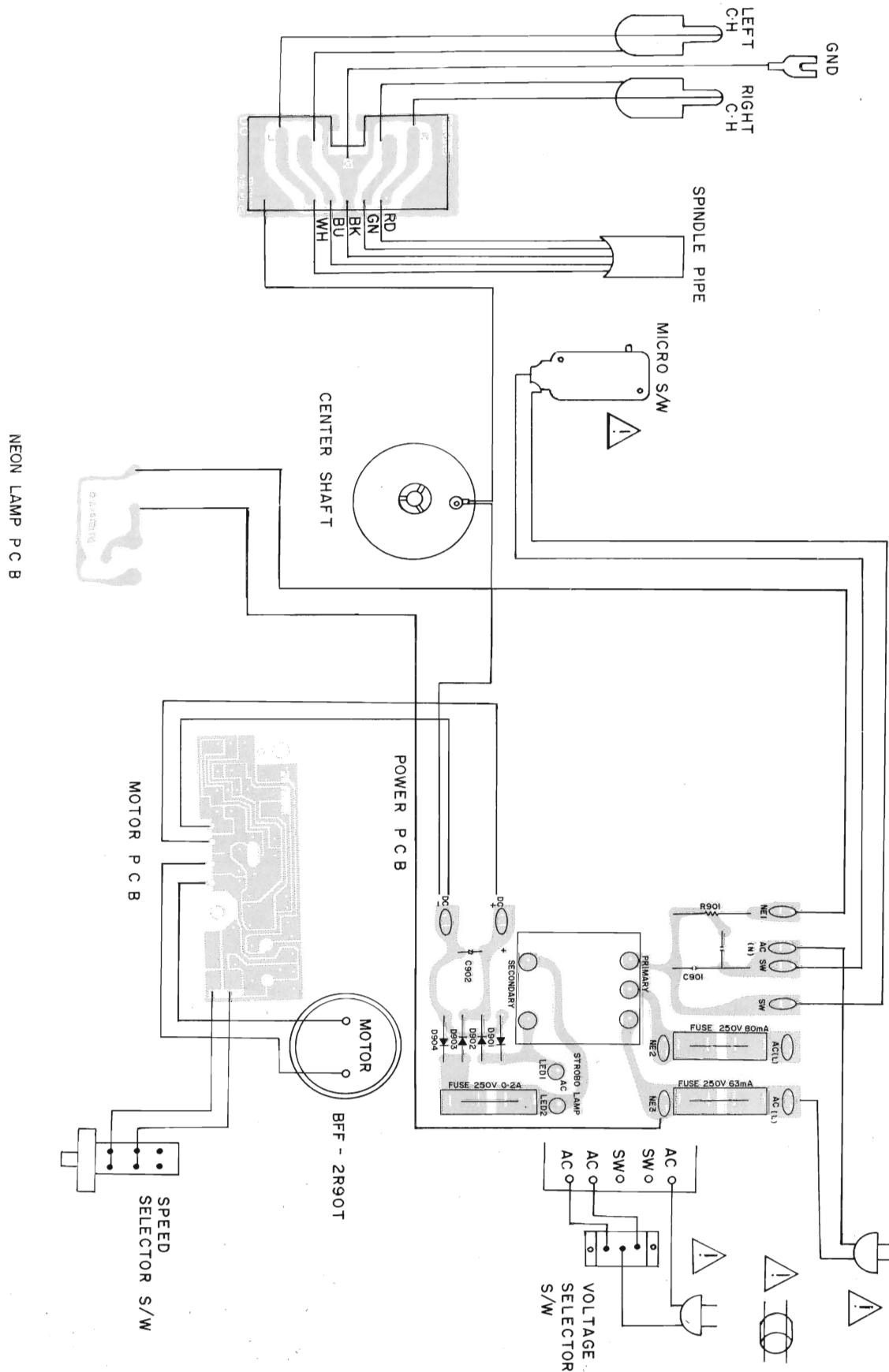
Parts List

Parts No.	Stock No.	Description
1		Player Case
2	58560100	Tonearm Ass'y
3	49266200	Cartridge,SV-P323 (P-900 only)
3-1	49266300	Stylus,SN-323(P-900 only)
3-2	58560400	Cap-Stylus(P-900 only)
3-3	58560500	Screw M2X10,Cartridge (P-900 only)
3-4	58560600	Nut,M2Φ,Cartridge (P-900 only)
4	58560700	Spindle Ass'y
5		Bracket,Spindle Ass'y
6	58560900	Cap,Spindle Ass'y
7		Ground Terminal
8	58561100	Gear
9		Clutch Guide
10		Clutch Plate
11	58561400	Gear Shaft
12	58561500	Elevator
13	58561600	Elevation Spring
14	58561700	Adjust Spring
15	58561800	Lifter Plate
16	58561900	Lifter Lever
17		Lifter Lever Holder
18		Control Plate
△ 19	58562200	Micro Switch
20	58562300	Control Plate Spring
21		Control Plate Holder
21-1	58562500	Insulation Sheet
22		Tube
23	58562700	Actuating Arm
24	58562800	Steel Ball
25	58562900	Arm Rest
26	58563000	Fook,Arm Rest
27	58563100	Fook Pin
28	58563200	Feed Arm
29	58563300	Adjust Cam
30	58563400	Feed Arm Spring
31	58563500	Push Knob,REJECT/SPEED
32	58563600	Push Switch,SPEED
33	58563700	Pitch Control Knob
34	58563800	Pitch Control Volume
35		Switch Bracket
36	58564000	Reject Holder
37	58564100	Return Spring
38		Reject Bracket
39	58564300	Clutch Lever
40	58564400	Clutch Spring
41	58564500	Reject Lever
42	58564600	Set Screw
43	58564700	Roller
44	58564800	String
45	58564900	Motor Ass'y (Included No.46)
46		Motor Pully
47		Power PCB Ass'y Cover
48	58565100	Motor Cushion
49	58565200	Motor Setting Screw
50	58565300	Mirror Housing
51	58565400	Mirror
52	58565500	Wire Spacer
53	58565600	Strobo Window
54		Neon Lamp Board Ass'y
56	58565800	Switch Cover
57	58565900	Cord Holder
58	58566000	Rubber Foot
59		Bottom Cover
60	58566200	Platter
61	58566300	Belt
62	58566400	Rubber Sheet
63		Lamp Board Cover
64	13012310	45r.p.m Adapter
66	58566700	Dust Cover Ass'y (Included No.67,69)

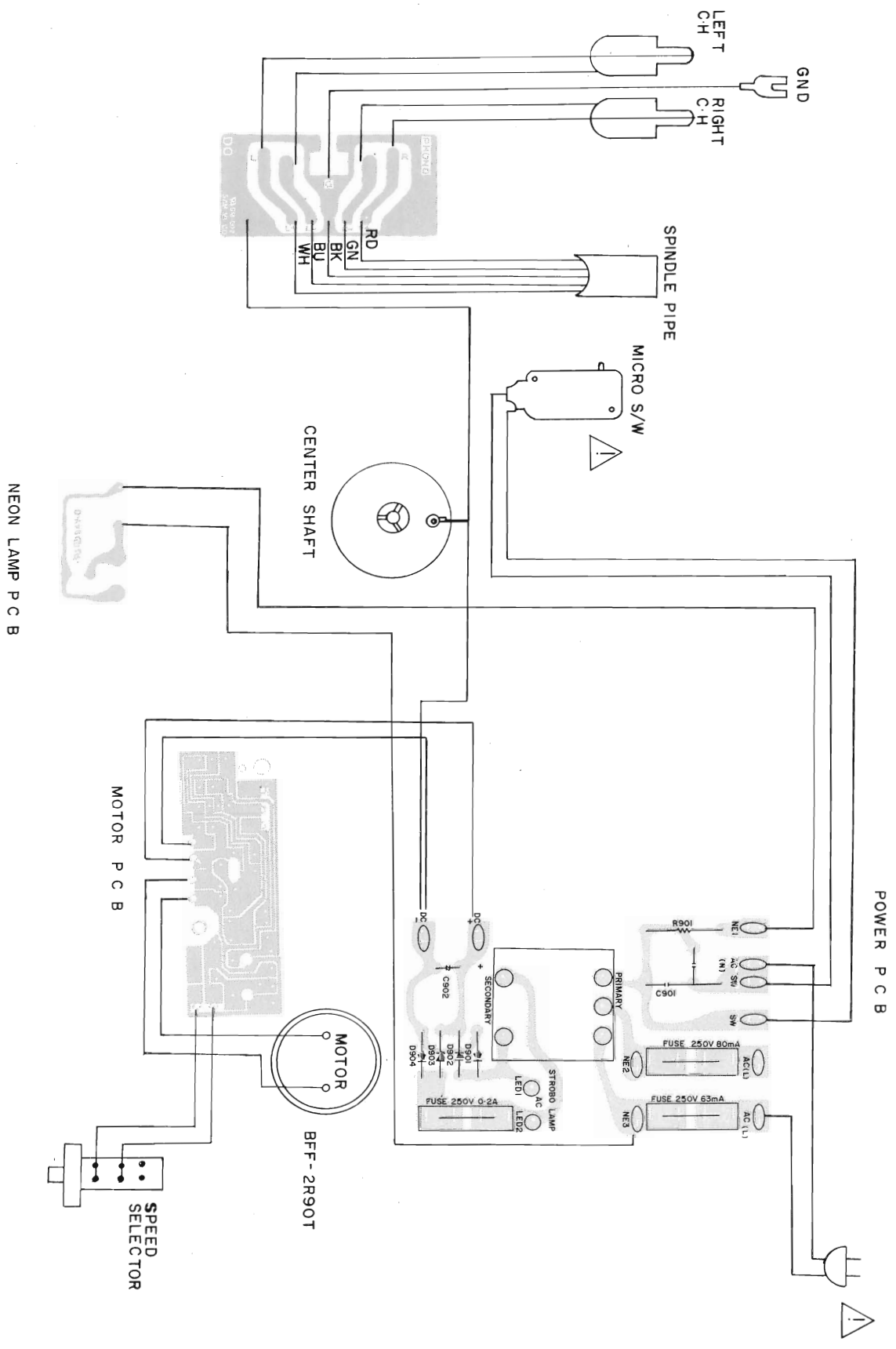
Parts No.	Stock No.	Description
67		Name Plate
68	58566800	Hinge
69		Dust Cover Cushion
70	58566900	Power Board Ass'y <XX>
	or 58584700	Power Board Ass'y
	or 58584800	Power Board Ass'y <CSA>
	or 58584900	Power Board Ass'y <EU>
71	58569300	AC Cord <XX,EU>
	or 58584200	AC Cord <CSA,UL>
	or 58584100	AC Cord <SSA>
72		Hole Cover
73		Neon Lamp Cover
74		Cord Band
75	58567300	Output Cord
76		Phono Board Ass'y
87-1	00437400	Screw,M3X14
88	00437000	Screw,M3X5
89	00437000	Screw,M3X5
90	00422000	Screw,M3X8
91	58567500	Flat Washer 7.1X13X0.4
94	58567600	Flat Washer 3.1X8X0.5
95	51764000	Nut M3
96	07105700	Nut M8
97	51822900	Washer C5
98	00489300	E Ling,E4
100		Spring
A	58567900	Washer Head Tapping Screw,3X4
B	58568000	Washer Head Tapping Screw,3X8
C	00457600	Washer Head Tapping Screw,3X10
D	14070600	Washer Head Tapping Screw,3X12
E	51627800	Washer Head Tapping Screw,3X14
F	58588100	Washer Head Tapping Screw,3.5X8
G	14335700	Tapping Screw,3X10
H	58568200	Washer Head Tapping Screw,2.6X10
I	58568300	Pan Head Machine Screw, 2.6X12
J	58567600	Flat Washer,3.1X8X0.5
K	58568400	Flat Washer,3.5X8X0.5
L	58568500	Flat Washer,3.1X10X0.5
M	51822900	C.S Washer

5. WIRING DIAGRAM

5-1. XX, SSA Model

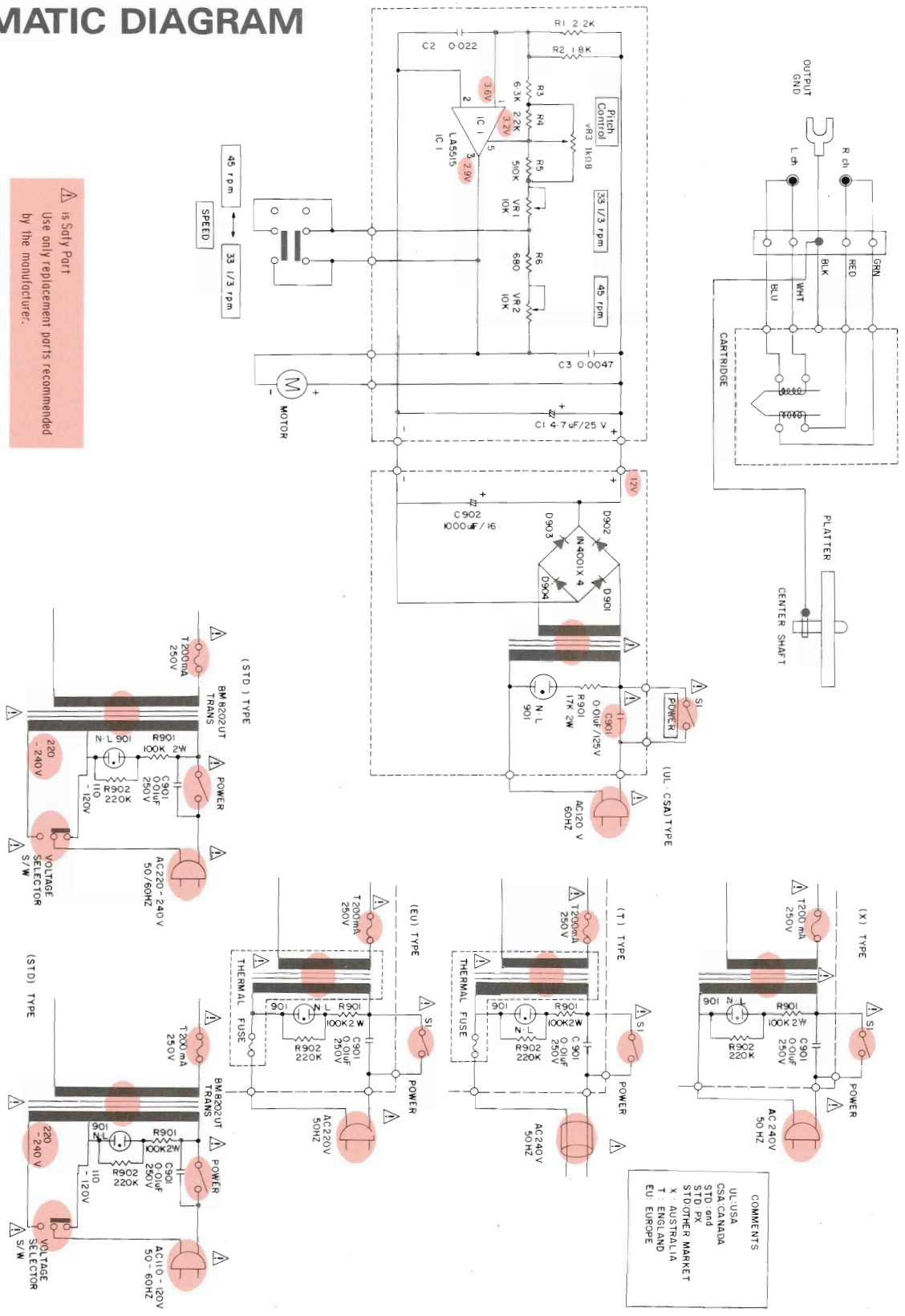


5-2. UL, CSA, EU Model



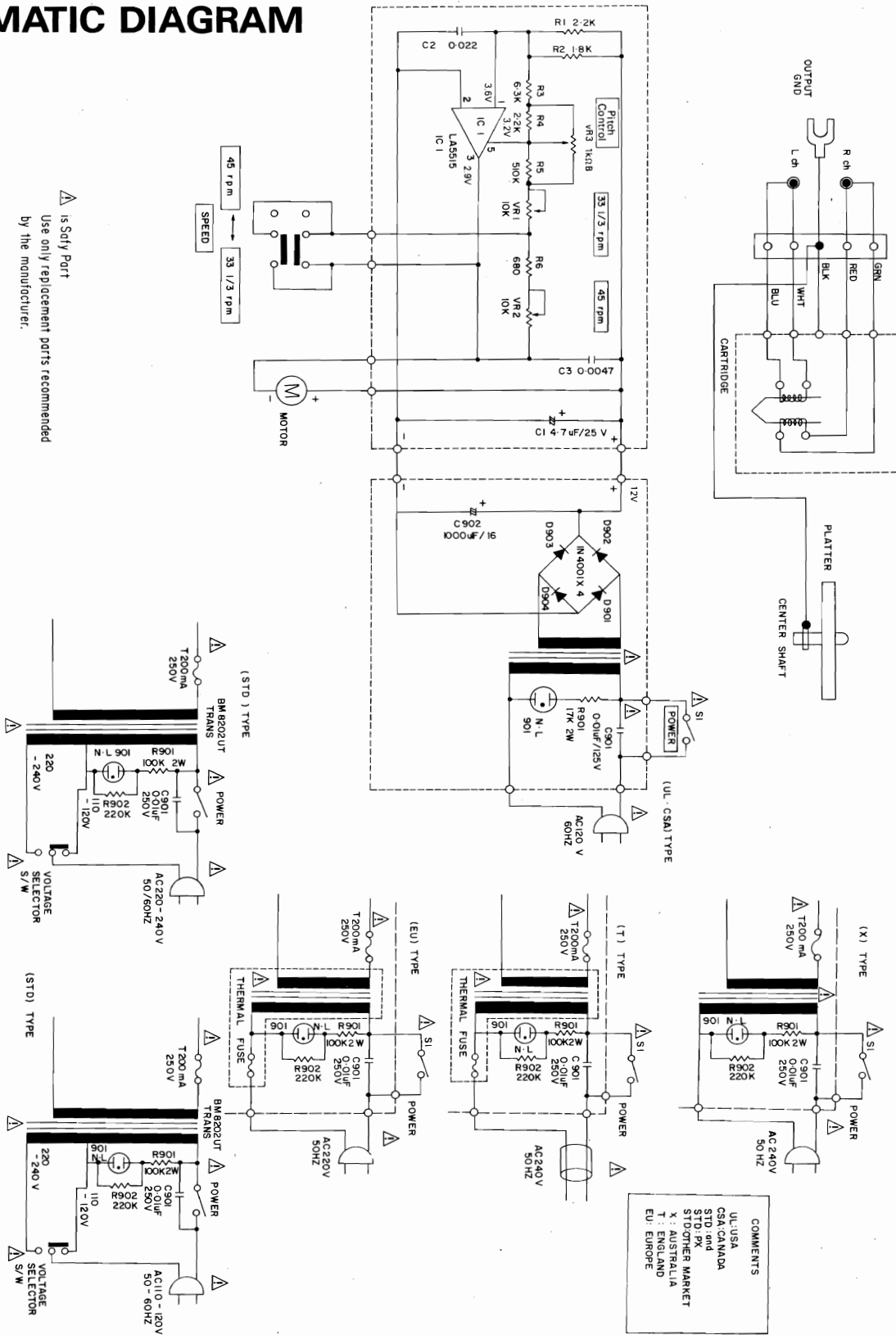
6. SCHEMATIC DIAGRAM

⚠ Is Safety Part
Use only replacement parts recommended by the manufacturer.



6. SCHEMATIC DIAGRAM

▲ is Safety Part
 Use only replacement parts recommended
 by the manufacturer.



SANSUI ELECTRIC CO., LTD.
 SANSUI ELECTRONICS CORPORATION:
 SANSUI ELECTRONICS G.M.B.H.:

14-1, Izumi 2-chome, Suginami-ku, Tokyo 168 Japan
 PHONE: (03) 324-8891/TELEX: 232-2076 (International Division)
 1250 Valley Brook Ave. Lyndhurst, N.J. 07071 U.S.A.
 17150 South Margay Ave. Carson, California 90746 U.S.A.
 3036 Koapaka Street. Honolulu, Hawaii 96819 U.S.A.
 Paul Ehrlich Strasse 8, 6074 Rödermark 2, West Germany

山水電気株式会社

東京都杉並区和泉2-14-1(〒168)