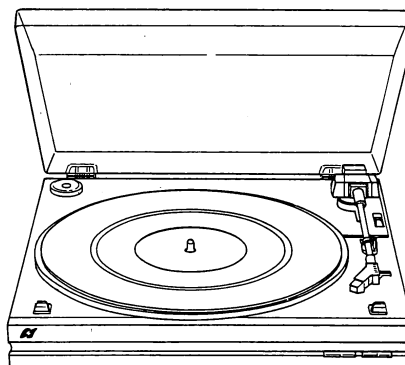


SANSUI

SERVICE MANUAL

P-E370

FULLY AUTOMATIC TURNTABLE



Specifications

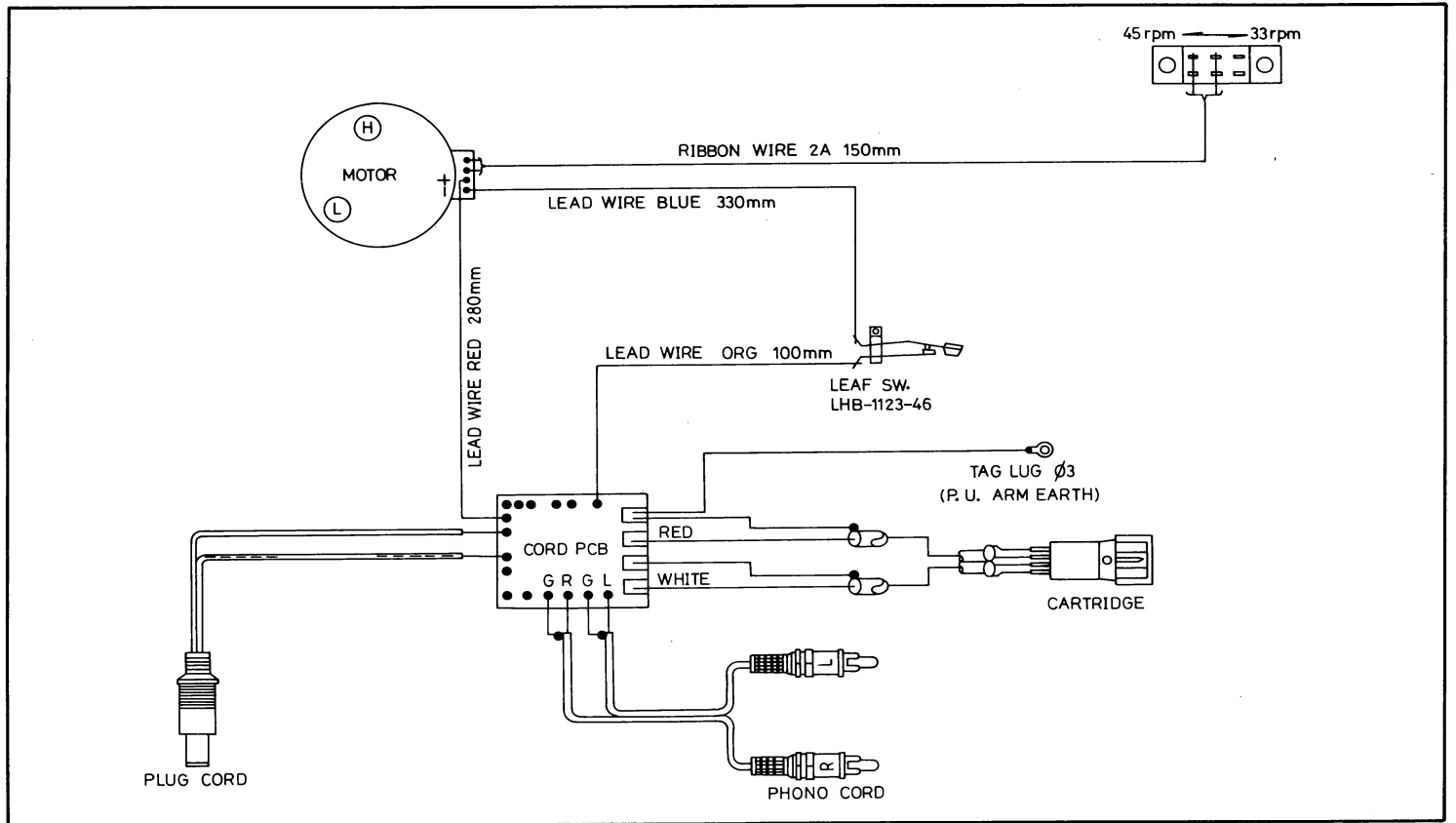
Type	Belt drive system
Rated speeds	33-1/3, 45 rpm
Platter	300 mm (11-13/16") diameter
Motor	DC servo motor
Wow/flutter	0.15% (WRMS)
Signal-to-noise ratio	Better than 50 dB (DIN-B)
Dimensions	360 mm (16-15/16") 119 mm (4-11/32") 355 mm (14-3/32")
Weight	2.3 kgs (5.1 lbs.) net

Pick up

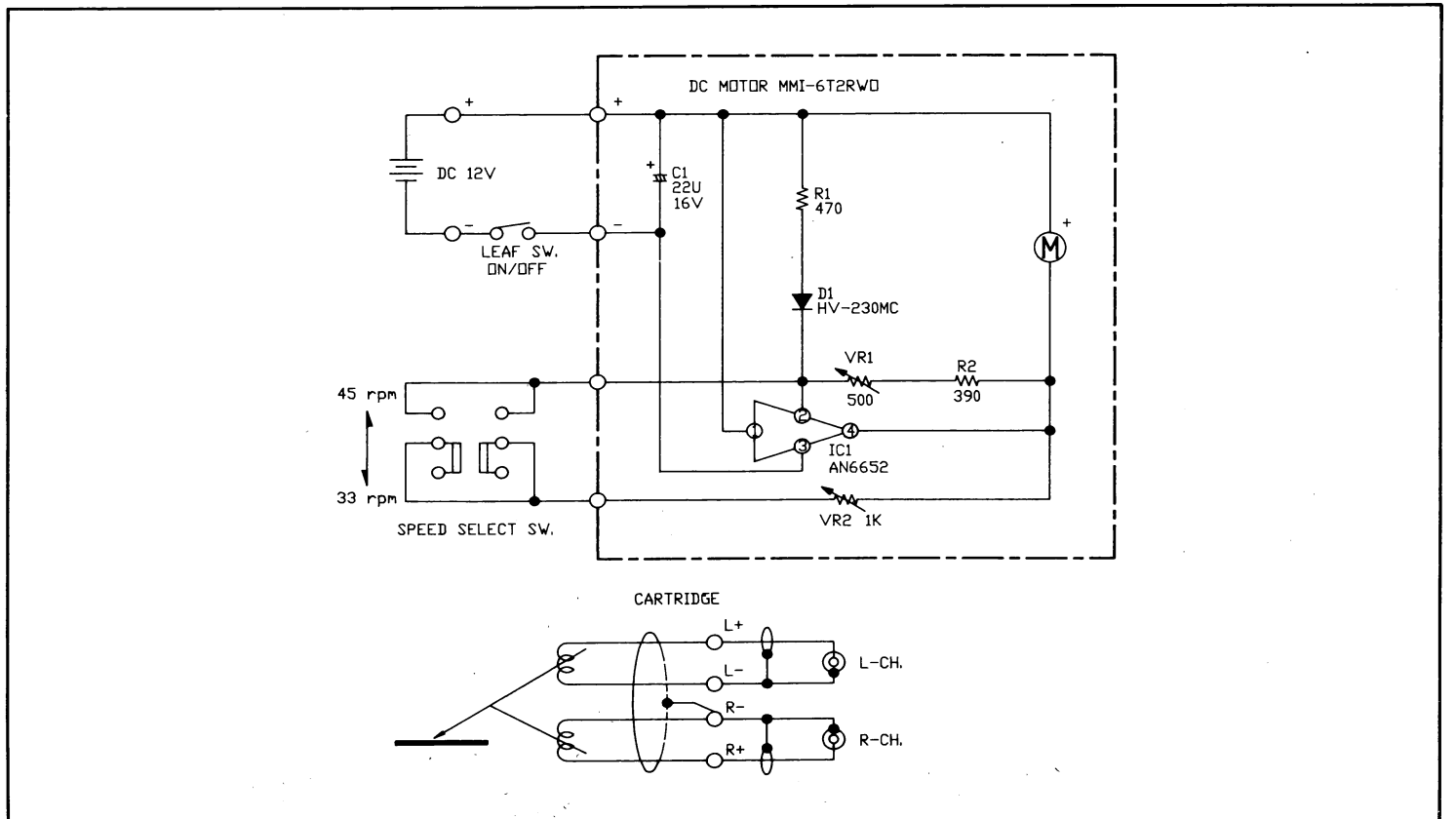
Output voltage	2.5 mV (1,000 Hz, 50 mm/sec.)
Correct load impedance	47 kohms
Frequency response	20—20,000 Hz
Stylus	0.6 mil diamond stylus (SN-353 replacement stylus)

• Design and specifications subject to change without notice for improvements.

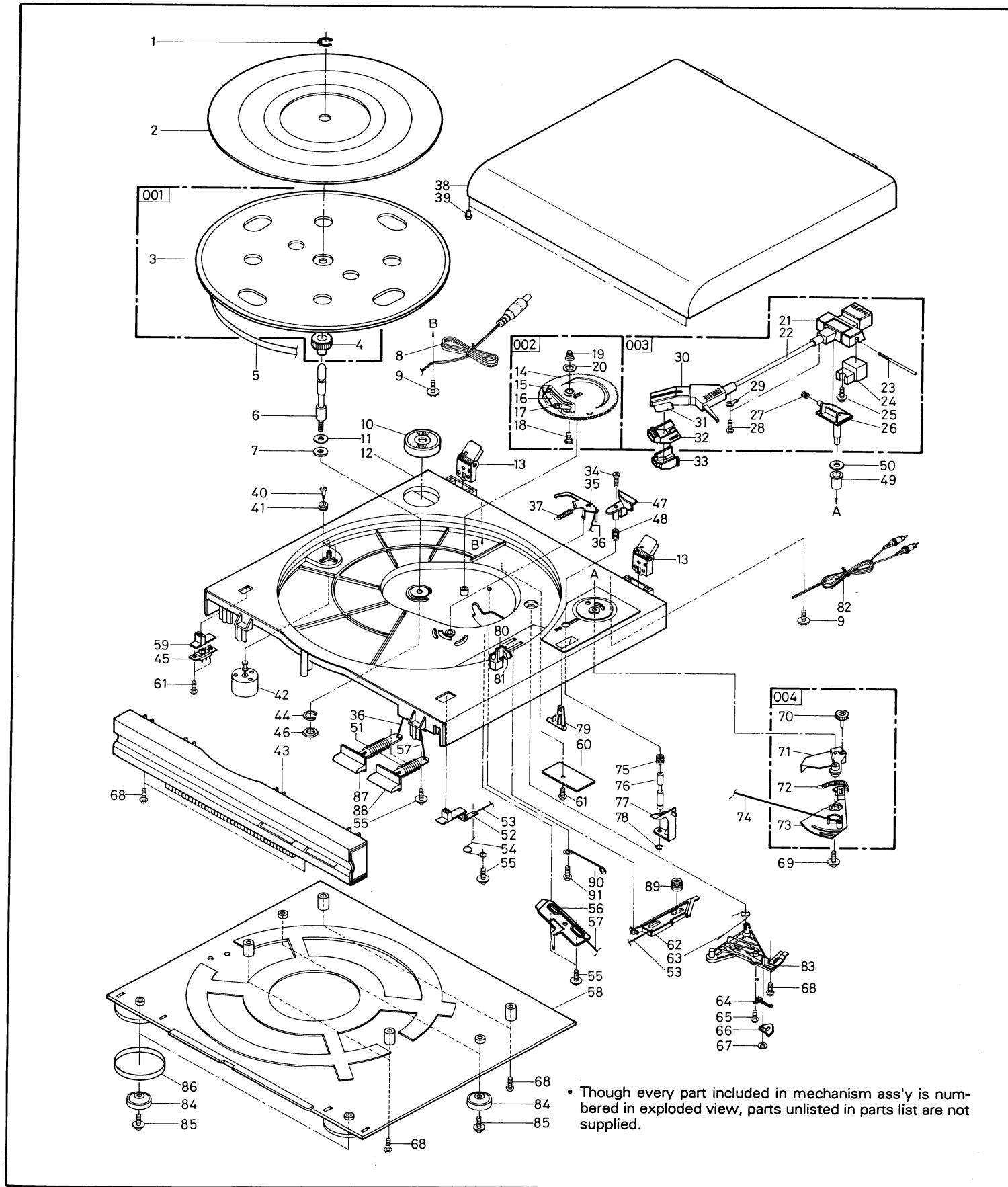
1. WIRING DIAGRAM



2. SCHEMATIC DIAGRAM



3. MECHANICAL EXPLODED VIEW

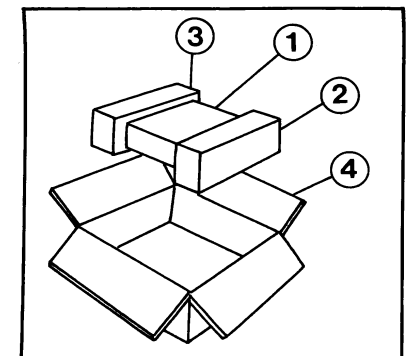


4. PARTS LIST OF UNIT

Ref. No.	Part No.	Description	Ref. No.	Part No.	Description
001	0001103900	Turntable Assembly	55	8761300812	7 (Taptite-P) CUP 3008 WF12 ZN3A
002	0003101545	Cam Gear Assembly	56	2003101280	Control Lever
003	0003103904	Pick Up Arm Assembly	59	1003103898	Speed Knob
004	0003103653	Return Link Assembly	61	8791300800	7 (Taptite-P) BRAZ 3008 ZN3A
1	1004100830	E Ring 6φ	62	2003101277	Size Selector
2	0004104561	Turntable Mat Assembly	63	2004101342	Control Arm Spring
5	1004103982	Turntable Belt	64	4406010046	Leaf Switch (LHB-1123-46)
6	1004102154	Turntable Spindle	65	8711200600	7 (Taptite-P) PAN 2006 ZN3A
7	3004100466	Flat Washer (5.2φx18φx1t)	66	2043100500	Cam
8	4510055200	Plug Cord (5.5φx2φ)	67	2000000631	Push Nut 3φ
9	0004100492	Screw Assembly	68	8791301000	7 (Taptite-P) BRAZ 3010 ZN3A
10	1009000080	Adaptor	69	8761301012	7 (Taptite-P) CUP 3010 WF12 ZN3A
11	2056000278	Poly Washer (7.6φx12φx0.25t)	74	2004103561	Trip Rod
13	0004102821	Hinge Assembly	75	2079030084	Damping Spring
32	5244010760	Stylus (SN-353)	76	2004100524	Arm Lift Shift
33	5264000760	Cartridge Cover	77	2004101263	Lift Fork
34	8132261200	1 (Machine-JIS) FLAT 2612 ZN3K	78	3130000030	E Ring 3φ
35	2003100837	Reject Lever	79	1003101281	Cue Lever
37	2004100550	Reject Lever Spring	80	1010005015	P.U. Rest
38	0004103899	Dust Cover Assembly	81	1004100520	P.U. Tube Hook
39	1004103932	Dust Cover Stopper	82	5620809509	Phono Cord, 950mm
40	2015000284	Screw	83	2002101171	Control Arm
41	2065100278	Grommet (A)	84	2003105015	7 (Taptite-P) CUP 3008 WF12 ZN3A
42	C022000308	DC Motor Assembly (MMI-6T2RW0)	85	8761300812	Foot Ring
43	1001104502	Front Panel	86	1003103819	Reject Button
44	2004100487	Spring Washer	87	1004104381	Start Button
45	4003103365	Slide Switch	88	1004104380	Size Selector Spring
46	3032100050	Nut 5φ ZN3A	89	6004102803	Control Arm Wire
47	1003101262	Lift Platform	90	2036100500	7 (Taptite-P) BRAZ 3006 ZN3A
48	2012000080	Arm Lift Spring (A)			
50	2040005015	Poly Washer (8.2φx12φx0.13t)			
51	2018005005	Conduct Lever Spring			
52	1006005016	Speed Knob			
54	2004101341	Speed Knob Spring			

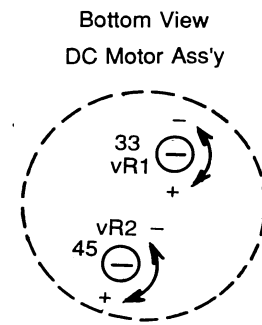
5. PACKING & ACCESSORY LIST

Ref. No.	Part No.	Description
1	9004104548	Poly Bag 56x72cm
2	9001104391	Snow Box (R)
3	9001104392	Snow Box (L)
4	9002104364	Gift Box
	9004104362	Instruction Book
	9004104549	Poly Bag 23x40cm
	1009000080	Adaptor



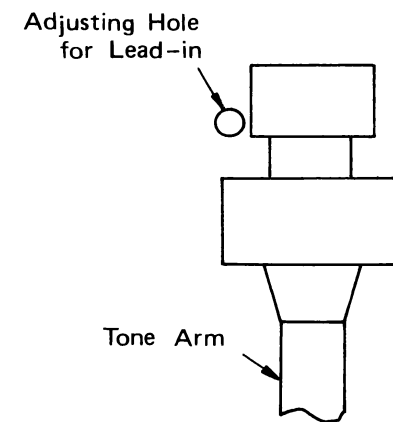
6. SPEED ADJUSTMENT

1. Set the speed switch to 33 rpm and adjust the VR1 on the speed control board so that the 33 rpm strobo pattern is seen stop.
2. Set the speed switch to 45 rpm and adjust the VR2 on the speed control board so that the 45 rpm strobo pattern is seen stop.



7. LEAD-IN ADJUSTMENT

1. Adjust the lead-in adjusting cam gear while pushing the driver a little so that the stylus tip may come down to the center of the lead-in groove. (Turn to counterclockwise the cam gear, so it will be later.)



SANSUI ELECTRIC CO, LTD.:

New River Building, 10-14, Shinkawa 1-chome, Chuo-ku Tokyo 104, Japan
PHONE:(03)5566-1024 FAX:(03)5566-1027 (International Division)

SANSUI USA INC.:

1290 Wall Street West, Lyndhurst, New Jersey 07071 U.S.A.
17150 South Margay Ave, Carson, California 90746 U.S.A.

SANSUI DEUTSCHLAND GMBH:

Paul Ehrlich Strasse 8. 6074 Rödermark 2, F.R. Germany

山水電気株式会社

東京都中央区新川1-10-14 (〒104)