

SERVICE MANUAL

COMPUTERIZED
FULLY AUTOMATIC DD TURNTABLE

SANSUI P-E750



CAUTION

1. Parts identified by the Δ symbol on the schematic diagram and the parts list are critical for safety. Use only replacement parts that have critical characteristics recommended by the manufacturer.
2. Make leakage-current or resistance measurements to determine that exposed parts are acceptably insulated from the supply circuit before returning the appliance to the customer.

● SPECIFICATIONS

Type	Direct-drive turntable
Rated speeds	33-1/3, 45 rpm
Platter	Aluminum alloy diecast, 306 mm (12-1/16") diameter, 0.55 kg (1.2 lbs.) weight
Motor	Brushless & Coreless DC (FG-Servo)
Wow/flutter	0.04% (WRMS)
Signal-to-noise ratio	Better than 72 dB (DIN-B) Better than 60 dB (IEC-B)
Tonearm	Dynamically balanced straight arm
Effective tonearm length	145 mm (5-11/16")
Output voltage	2.5 mV (1,000 Hz, 35.4 mm/sec)
Correct load impedance	47 kohms
Frequency response	10 ~ 20,000 Hz
Stylus	0.6 mil diamond stylus (SN-757 replacement stylus)
Power voltage	110 ~ 120V/220 ~ 240V (50/60 Hz)
For U.S.A. and Canada	120 V (60 Hz)
Power consumption	27 W
Dimensions	380 mm (14-31/32") W 93 mm (3-11/16") H 355 mm (14") D
Weight	4.9 kg (10.8 lbs.) net 6.0 kg (13.2 lbs.) packed

- * Design and specifications subject to change without notice for improvements.
- * Due to local laws and regulations, this unit sold in some areas are not equipped with variable voltage selectors

Sansui

SANSUI ELECTRIC CO., LTD.

CAUTION

1. The symbols, UL, CSA, SA, BS, UK, EU, AS and XX on the parts list and the schematic diagram mean followings respectively.
 - UL Manufactured for U.S.A market.
(Underwriters Laboratories approved model.)
 - CSA Manufactured for Canadian market.
 - SA Manufactured for South African market.
 - BS, UK Manufactured for United Kingdom market.
 - EU Manufactured for European market.
 - AS Manufactured for Australian market.
 - XX Standard Version.
 - NON MARK Common Parts.

2. Some printed circuit boards are not supplied as the assembled. To separate these in this service manual, the stock No's are not indicated at the ends of the board names. However, the individual parts on the circuit boards are provided by orders.

3. Since some of capacitors and resistors are omitted from parts lists in this service manual, refer to the Common Parts List for capacitors & resistors, which was issued on February 1983.

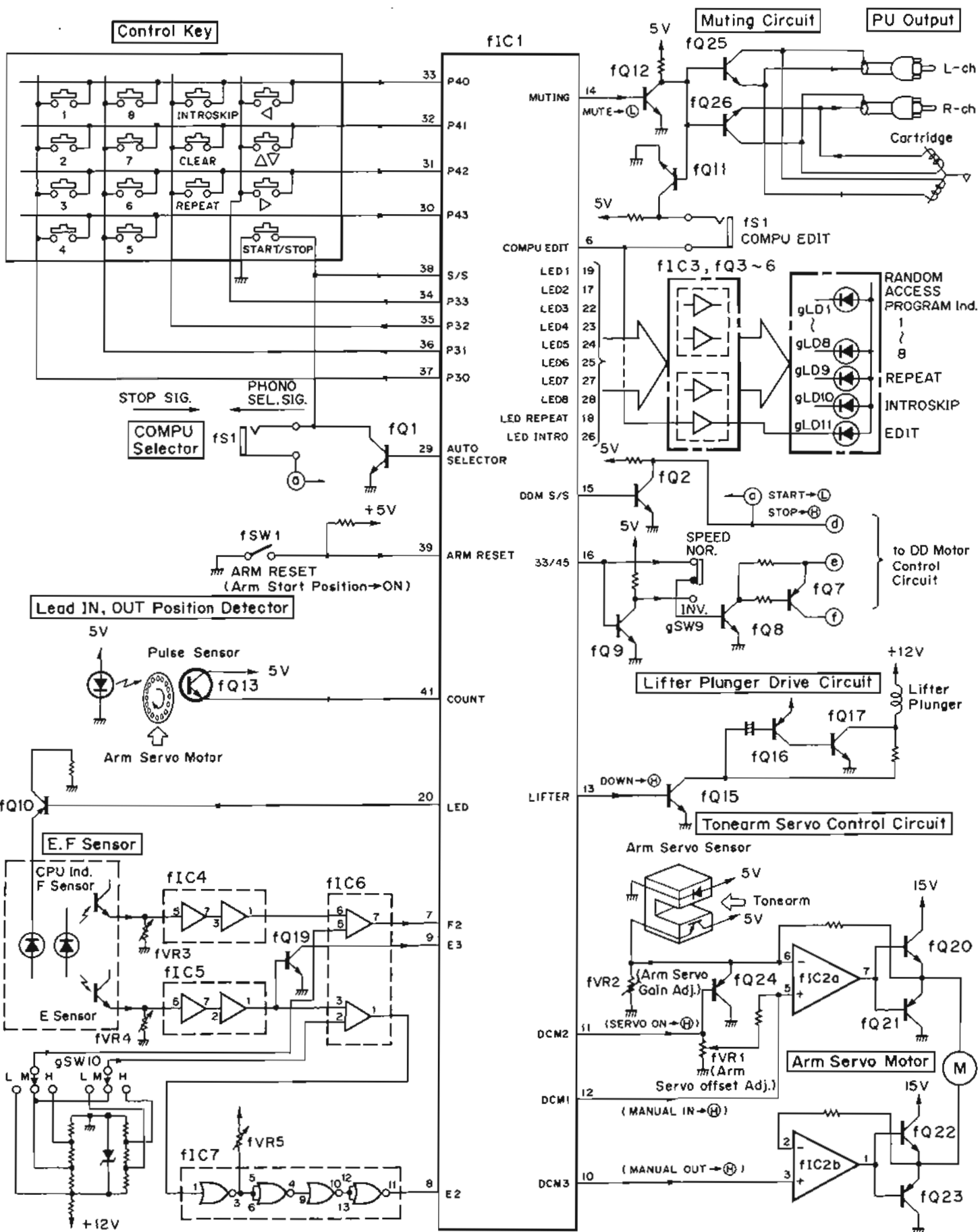
4. Abbreviations in this service manual are as follows.

• Abbreviations List

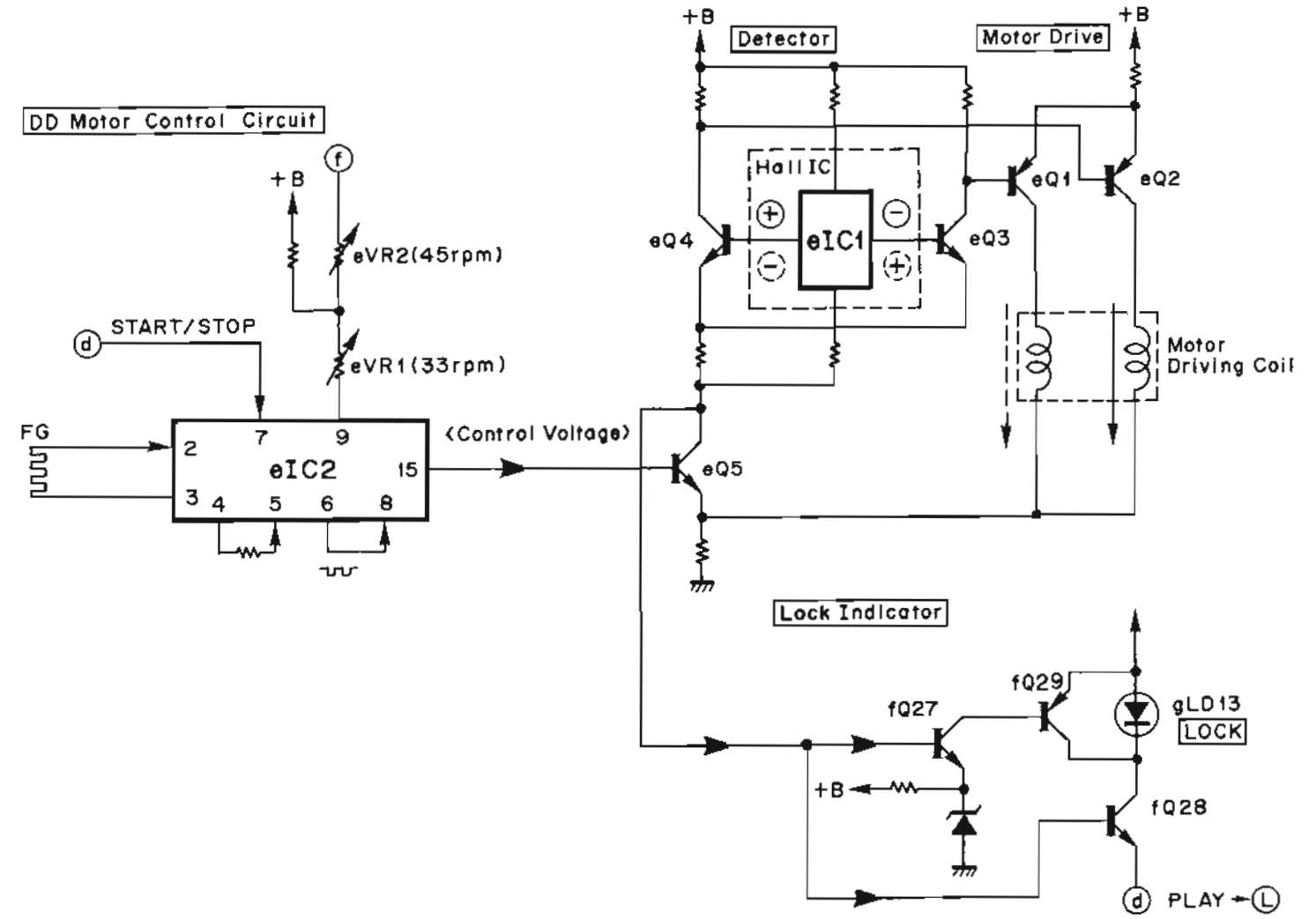
C.R.	: Carbon Resistor	E.B.L.	: Low Leak Bi-Polar Electrolytic Capacitor
S.R.	: Solid Resistor		
Ce.R	: Cement Resistor	Ta.C.	: Tantalum Capacitor
M.R.	: Metal Film Resistor	F.C.	: Film Capacitor
F.R.	: Fusing Resistor	M.P.	: Metalized Paper Capacitor
N.I.R.	: Non-Inflammable Resistor	P.C.	: Polystyrene Capacitor
A.R.	: Array Resistor	G.C.	: Gimmic Capacitor
C.C.	: Ceramic Capacitor	A.C.	: Array Capacitor
C.T.	: Ceramic Capacitor, Temperature Compensation	V.R.	: Variable Resistor
E.C.	: Electrolytic Capacitor	S.V.R.	: Semi Variable Resistor
E.L.	: Low Leak Electrolytic Capacitor	SW.	: Switch
E.B.	: Bi-Polar Electrolytic Capacitor	Chip R.	: Chip Resistor
		Chip C.	: Chip Capacitor

1. BLOCK DIAGRAM

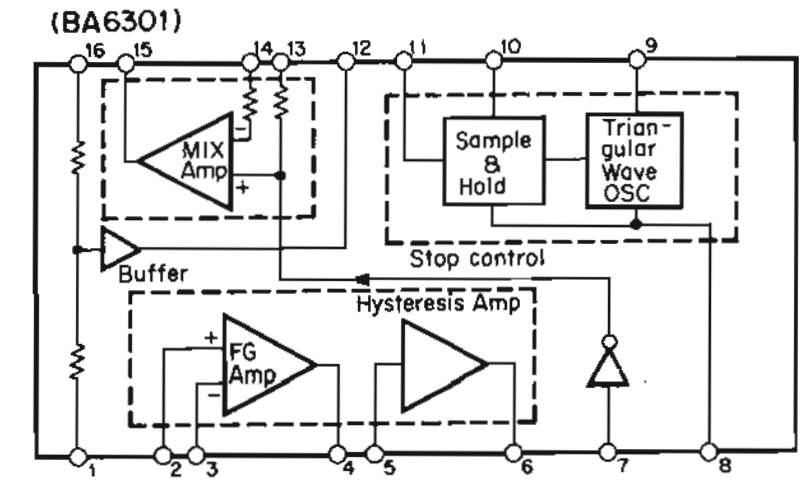
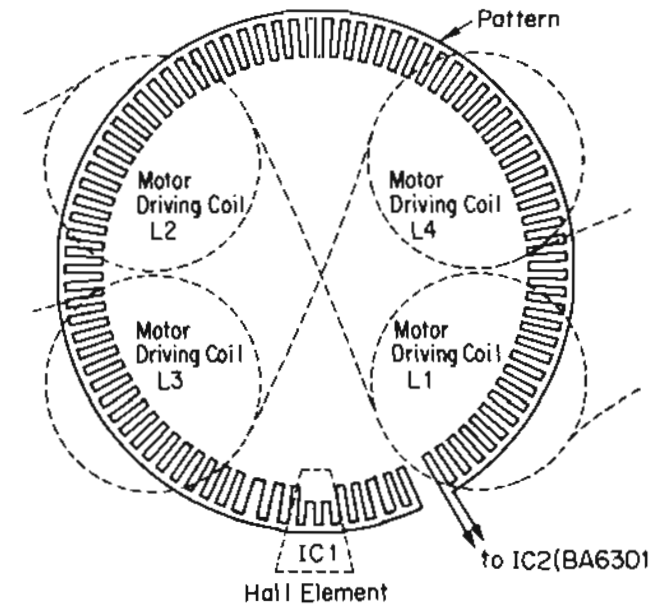
1-1. Logic Control Section



1-2. DD Motor Control Section

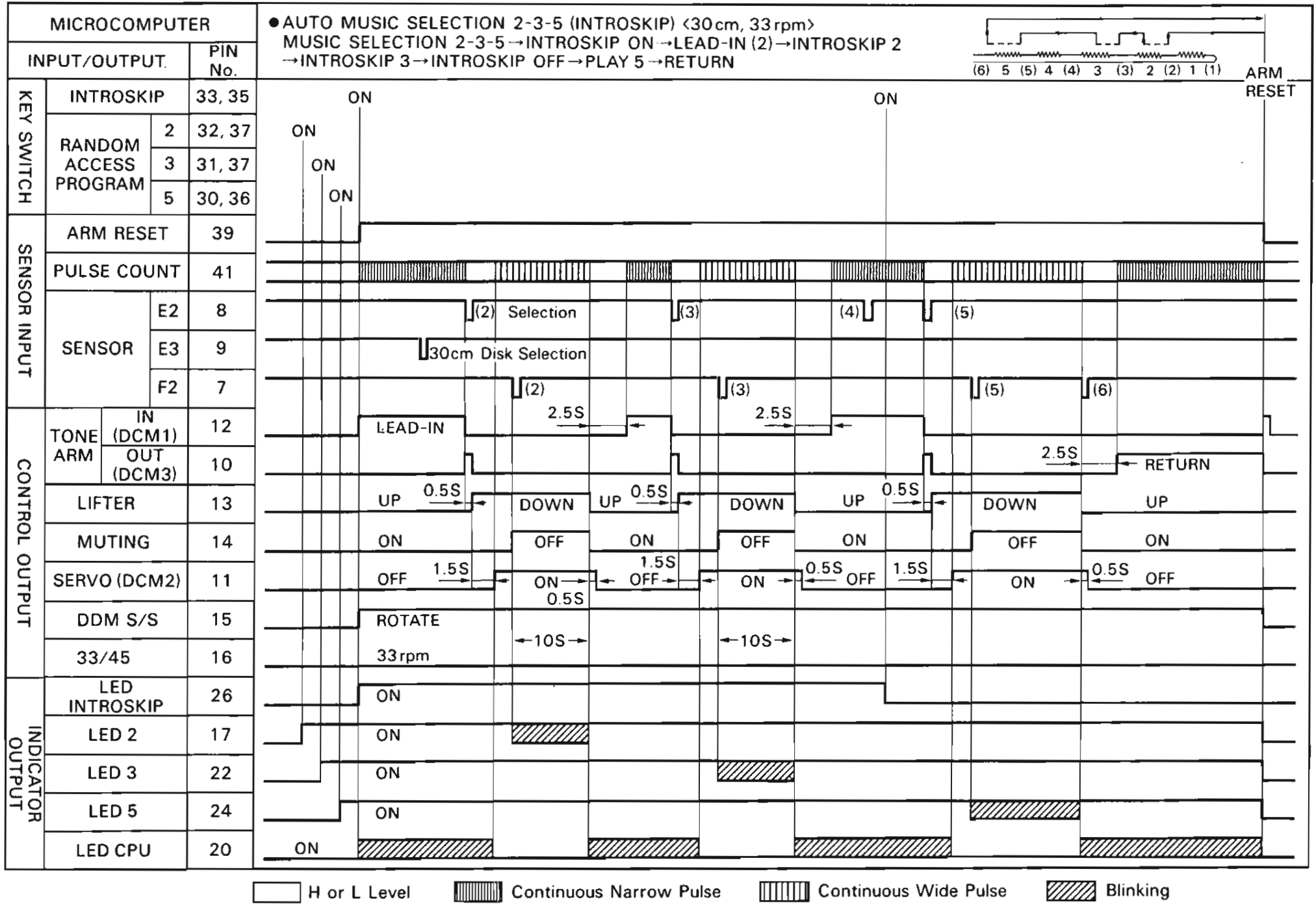


Pattern drawing of motor section (F-5249 Motor Control Circuit Board)

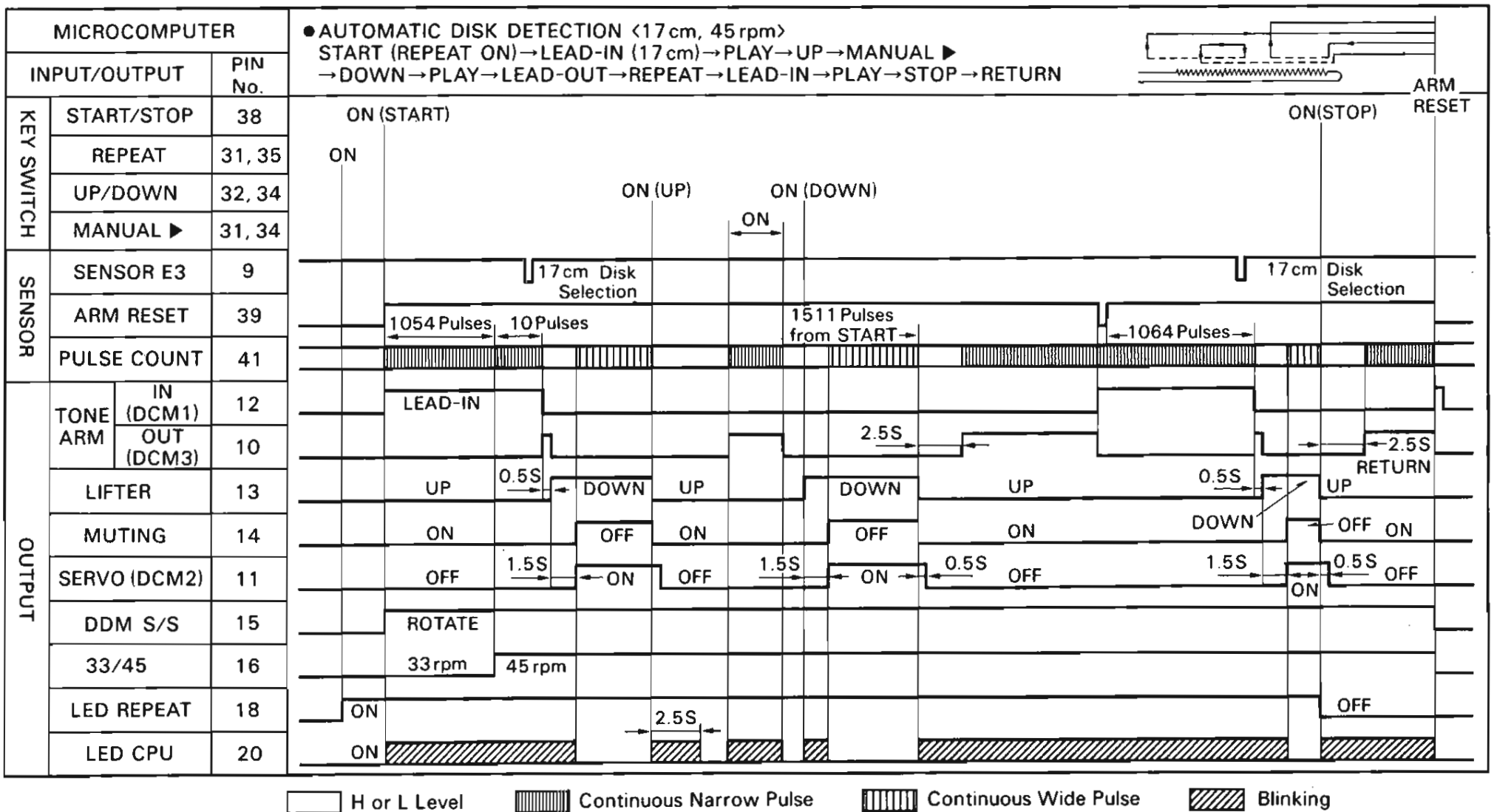


2. TIMING CHART OF MICROCOMPUTER μ PD7528C-019

2-1. Automatic Music Selection Program 2-3-5 (Introskip) < 30cm, 33rpm >



2-2. Automatic Disk size Detection < 17cm, 45rpm >



3. ADJUSTMENTS

3-1. Lead-In Operation Adjustment

Note: Before this adjustment, remove the lead-in adjusting hole cap 15 (See 7-1. Front View on page 9)

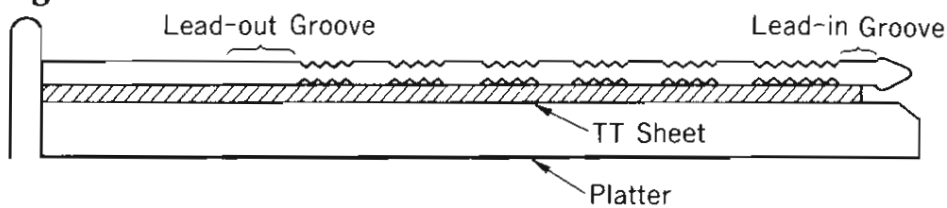
A. How to remove the lead-in adjusting hole cap

- 1) Move the tonearm to the lead-out position by depressing MANUAL (◀) switch.
- 2) Insert a screw driver to the hole (See 3-2 Bottom View on page 4) of bottom plate and push the screwdriver so as to remove the hole cap.

B. How to Adjustment

- 1) By using 30cm-dia. disk having a narrow lead-in groove, actually carry out the automatic operation (lead-in operation).
- 2) Perform the lead-out operation and check that the stylus tip is lifted up at the lead-out groove.
- 3) Perform the lead-in operation with a 17cm record disk having a narrow lead-in groove, and check that the stylus tip comes down to the lead-in groove.

Fig.3-1



3-2. Speed adjustment (Refer to Fig. 3-2.)

- 1) Set the speed to 33 rpm and adjust the eVR1 on the F-5249 DD motor control board using a small screwdriver so that the 33 rpm strobo pattern is seen to stop.
- 2) Set the speed to 45 rpm and adjust the eVR2 on the F-5249 DD motor control board using a small screwdriver so that the 45 rpm strobo pattern is seen to stop.

3-3. Arm servo adjustment

* Before adjustment, remove the TT sheet, the platter and the cabinet.

- 1) Turn fVR1 (Fig. 3-4) fully counterclockwise.
- 2) Connect a DC voltmeter between T.P. SERVO and GND. (See Fig. 3-4)
- 3) Move the tonearm by manual operation so that the stylus tip is positioned at approx. 110mm away from the center of the DD motor.
- 4) Press the UP/DOWN key to lower the tonearm, and turn fVR1 gradually clockwise and stop turning when the tonearm starts moving leftward.
- 5) Move the cartridge portion of the tonearm rightward by hand until it will stop, and adjust fVR2 (Fig. 3-4) so that the reading of the DC voltmeter is $4.0 \pm 0.2V$.

- 6) Press the UP/DOWN switch to lower the tonearm again, and then confirm that the voltmeter pointer indicates $DC2.0V \sim 3.8V$.
- * If voltmeter pointer indication is not obtained $DC2.0V \sim 3.8V$, loosen two screws for fixing F-5345 board (See 4. Exploded View of Auto Mechanism Ass'y on page 8) and shift the F-5345 board fixing position on the lifter ass'y (See 6. Exploded View of Auto Mechanism Ass'y on page 8), and then perform the procedures 1)~6) repeatedly.
- 7) Connect a DC voltmeter between TP(DCM) and TP(GND) on the F-5281 board. (See 3-4 on page 5)
- 8) Press the UP/DOWN switch to lower the tonearm, and adjust fVR1 on the F-5281 board so that the reading of DC voltmeter is $2.5V \pm 0.2V$.
- 9) Actually play a music positioned approx. 110mm away from the center of the 30cm record disk. Press the UP/DOWN key several times, and check that the stylus tip moves up and down vertically. If the stylus tip moves slightly rightward (or leftward), turn fVR1 a little clockwise (or counterclockwise).

Fig.3-2 Bottom View

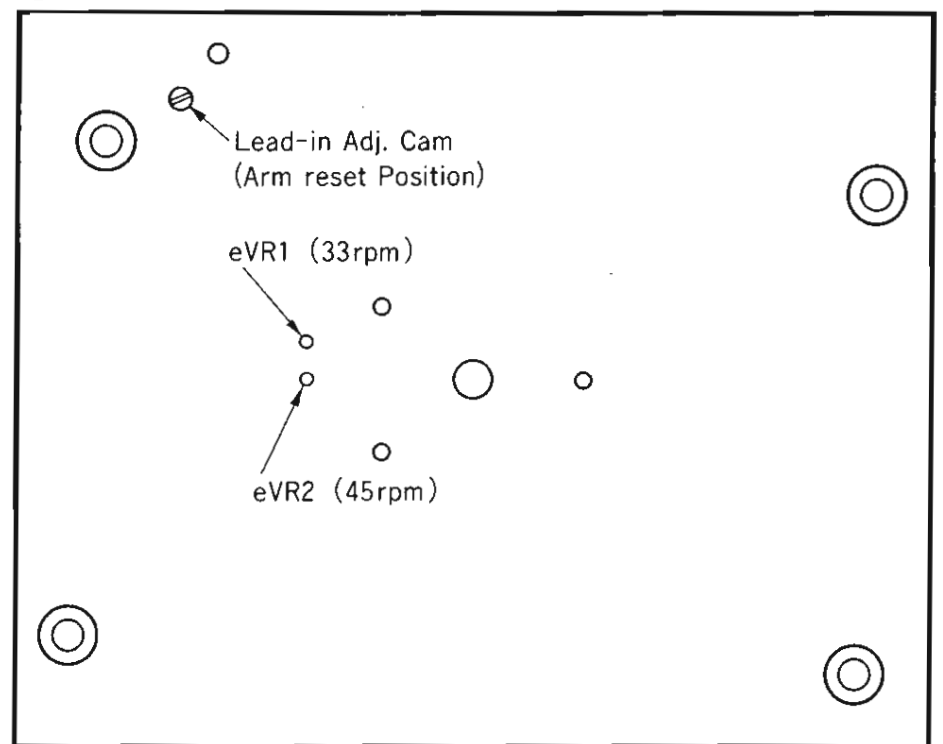


Fig.3-3

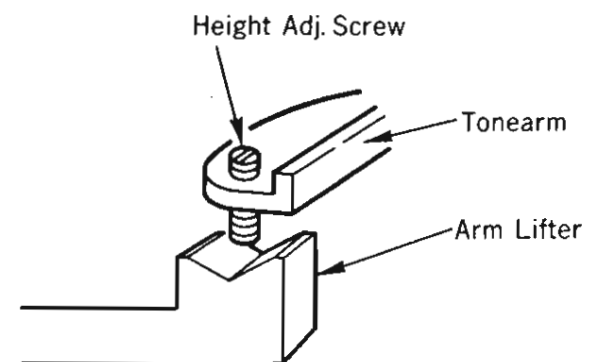
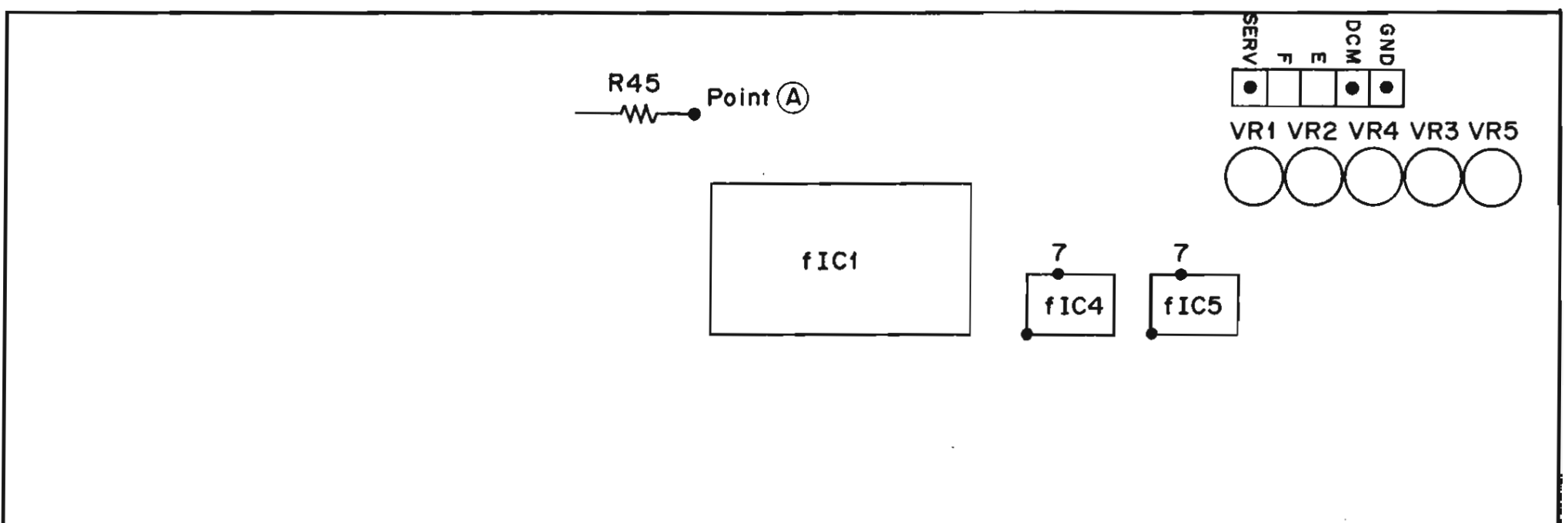


Fig.3-4 F-5281 Test & Adjustment points



3-4. Automatic music selection adjustment (Refer to Fig. 3-3, 3-4 and 3-5.)

* For this adjustment, a vinyl chloride record disk without groove or with wider lead-out spiral than usual is required.

A. Tonearm height adjustment (Refer to Fig. 3-5.)

* Before adjustment, remove the player case cover.

- 1) Move the tonearm by manual operation so that the stylus tip is positioned at approx. 110mm away from the center of the platter.
- 2) Adjust the tonearm height adjusting screw (See Fig. 3-3) so that the clearance between the record disk and the stylus tip is within 6.5 ~ 7.0mm.

B. Sensitivity adjustment of E and F sensor

* Before adjustment, remove the cabinet.

- 1) Move the tonearm by manual operation and stop the stylus tip at approx. 110mm away from the disk center.
In case of a record disk has a groove, stop the stylus tip above the flat surface nears 110mm away from the disk center.
- 2) Connect the DC voltmeter across the pin No. 7 of f1C4 (F-5281) and ground, and adjust fVR4 (Fig. 3-4) so that the reading of the DC voltmeter is 2.5V.
- 3) Press the UP/DOWN key to lower the stylus tip.
- 4) Connect the DC voltmeter across the pin No. 7 of f1C5 and the ground, and adjust fVR3 (Fig. 3-4) so that the reading of the DC voltmeter is 2.5V.

3-5. Delay adjustment of E2 signal

* Use the record disk with narrower music intervals.

- 1) Connect the DC voltmeter across the point (A) (Fig. 3-4) and the ground.
- 2) Play a music positioned after narrower music interval by automatic music selection, and check that the stylus tip comes down on or a little before the music interval for the selected music.
- 3) Adjust fVR5 (Fig. 3-4) so that +5V is applied to the point (A) within 10 second after the stylus tip moves down.
The desirable time is from 4 to 6 second.

3-6. Lateral-direction adjustment of E and F sensor

* This adjustment is required only when the automatic music selection operation is insufficient even after the adjustments 3-4 and 3-5 are performed.

- 1) Mount a 30cm record disk having many music groove.
- 2) Set the SENSITIVITY switch to H when the music interval is narrow, and to M when medium.
- 3) Connect the DC voltmeter across the point (A) and ground.
- 4) Press the music selection key for the 2nd music, and also the START/STOP key.
- 5) After the CPU indicator stops blinking, press the UP/DOWN key to lift up the arm.
- 6) Turn the pulley(A) of the arm servo mechanism (See Top View on page 9) so that the stylus tip moves above a position 2mm or more outward from the music interval between 1st and 2nd music. (See Fig. 3-6)
- 7) Press the UP/DOWN key to play the end portion of the 1st music.
- 8) Adjust the positions of E and F sensor by turning the adjusting screw (Fig. 3-7) so that the voltage of the point (A) turns off immediately after the 1st music sound is ended.

Fig.3-5 (a)

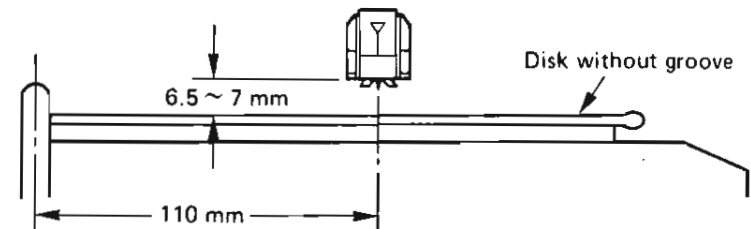


Fig.3-5 (b)

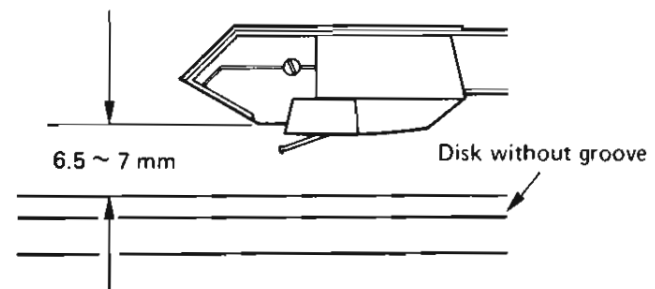


Fig.3-6

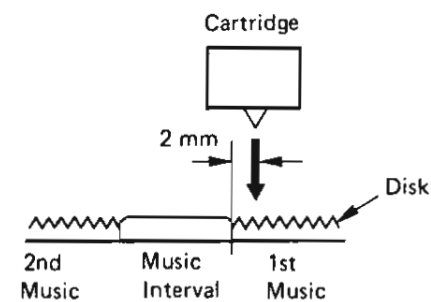
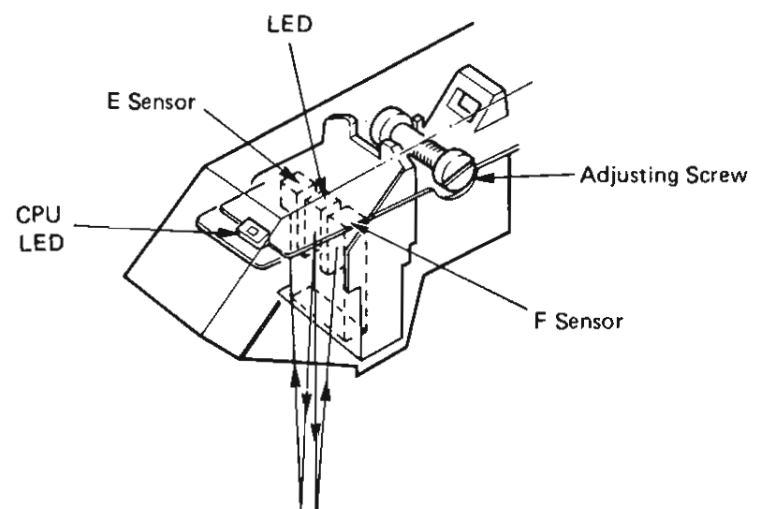


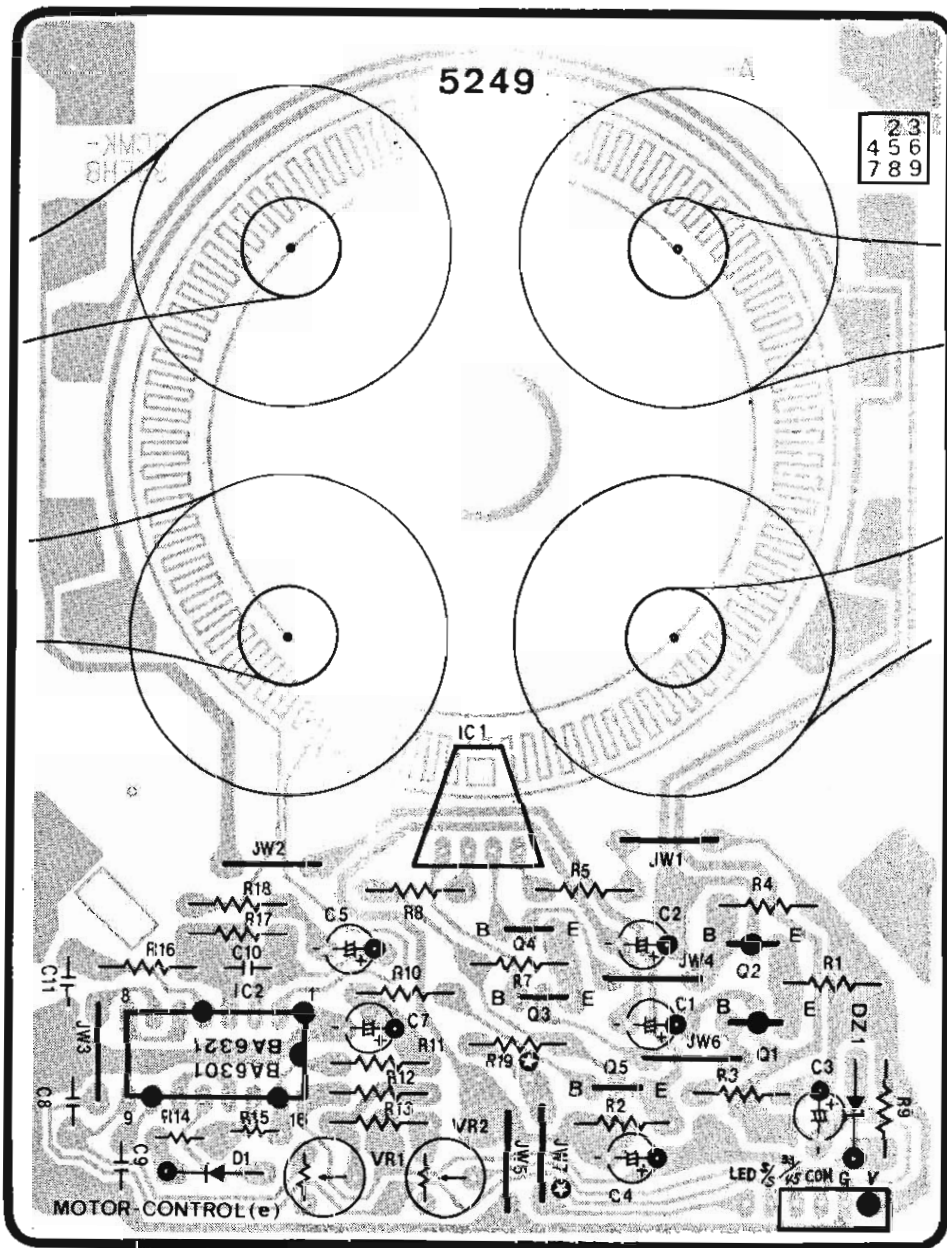
Fig.3-7



4. PARTS LOCATION & PARTS LIST

4-1. F-5249 DD Motor Control Board

Component Side

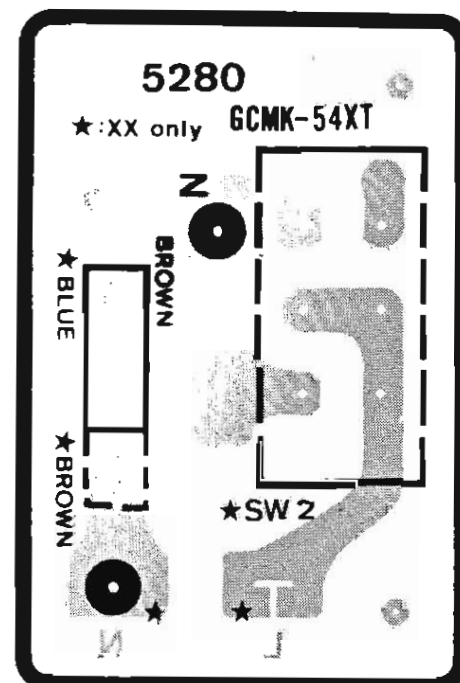


Parts List

Parts No.	Stock No.	Description
• Transistor		
eQ1	46614001	2SA1283
eQ2	46614001	2SA1283
eQ3	46367101	2SC2603
	or 46367301	2SC2458
	or 46391901	2SC2785
eQ4	46367101	2SC2603
	or 46367301	2SC2458
	or 46391901	2SC2785
eQ5	46367101	2SC2603
	or 46367301	2SC2458
	or 46391901	2SC2785
• IC		
eIC1	46354301	μC-301C-Q
	or 46354302	μC-301C-R
eIC2	46354400	BA6301
	or 48264600	BA6321
• Diode		
eD1	03117600	1S2473D
• Zener Diode		
eDZ1	46113300	05Z10-Y
eC1	46928700	22μF 16V E.C.
eC2	46928700	22μF 16V E.C.
eC3	46928700	22μF 16V E.C.
eC4	46928700	22μF 16V E.C.
eC5	46929200	4.7μF 25V E.C.
eC7	46930800	0.22μF 50V E.C.
eC8	46652300	0.1μF 100V F.C.
eC9	46282900	0.01μF 50V F.C.
eVR1	46634800	68kΩ S.V.R., 33rpm Adj.
eVR2	46635300	470kΩ S.V.R., 45rpm Adj.
△ eR1	46227000	2.2Ω 1/2W N.I.R.
△ eR2	46247700	4.7Ω 1W N.I.R.
△ eR9	46229000	100Ω 1/2W N.I.R.

4-2. F-5280 Voltage Selector Board

Component Side

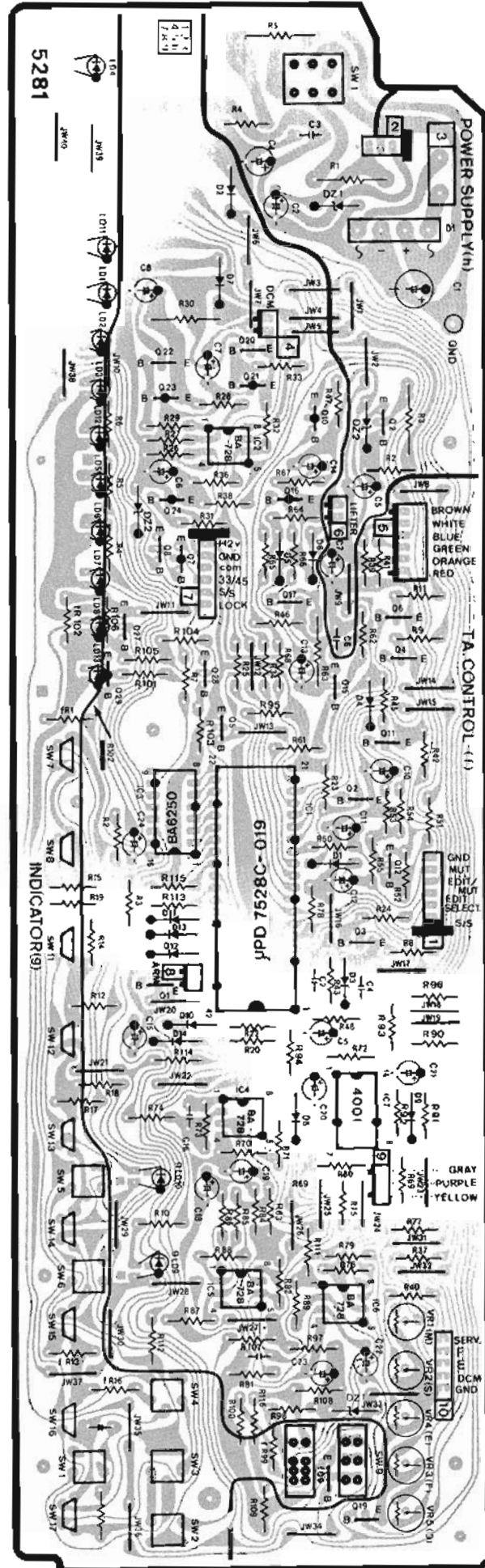


Parts List

Parts No.	Stock No.	Description
△ SW2	48310900	Slide SW., Voltage Selector (XX)

4-3. F-5281 Microcomputer & Operation Key Board (Stock No.00957601)

Component Side



Parts List

Parts No.	Stock No.	Description
• Transistor		
IQ1	48171600	DTC114YS
IQ2	48171600	DTC114YS
IQ3	48171600	DTC114YS
IQ4	48171600	DTC114YS
IQ5	48171600	DTC114YS
IQ6	48171600	DTC114YS
IQ7	48183400	DTA114YS
IQ8	48171600	DTC114YS
IQ9	48171600	DTC114YS
IQ10	46367001	2SA1115
	or 46367201	2SA1048
	or 48058601	2SA933S
IQ11	46367101	2SC2603
	or 46367301	2SC2458
	or 48058801	2SC1740S
IQ12	46367101	2SC2603
	or 46367301	2SC2458
	or 48058801	2SC1740S
IQ15	46367101	2SC2603
	or 46367301	2SC2458
	or 48058801	2SC1740S
IQ16	46367001	2SA1115
	or 46367201	2SA1048
	or 48058601	2SA933S
IQ17	46359801	2SC2001
	or 46614101	2SC3243
	or 48000901	2SC2060
IQ19	48171600	DTC114YS
IQ20	46359801	2SC2001
	or 46614101	2SC3243
	or 48000901	2SC2060
IQ21	46359701	2SA952
	or 46614001	2SA1283
	or 48000801	2SA934
IQ22	46359801	2SC2001
	or 46614101	2SC3243
	or 48000901	2SC2060
IQ23	46359701	2SA952
	or 46614001	2SA1283
	or 48000801	2SA934
IQ24	46367001	2SA1115
	or 46367201	2SA1048
	or 48058601	2SA933S
IQ27	46367101	2SC2603
	or 46367301	2SC2458
	or 48058801	2SC1740S
IQ28	46188701	2SC1815
	or 46367101	2SC2603
	or 46367301	2SC2458
	or 46391901	2SC2785
IQ29	48183400	DTA114YS
• IC		
IC1	48158500	μPD7528C-019
IC2	48163600	BA728
IC3	48183300	BA6250
IC4	48163600	BA728
IC5	48163600	BA728
IC6	48163600	BA728
IC7	03610500	TC4001BP
	or 07186600	MB84001BM
	or 46443800	μPD-4001BC
	or 48050000	MSM4001BRS
	or 48067200	BU4001B
• Diode		
ID1	03117600	1S2473T77
	or 46086000	1S1588TP-3
ID2	03117600	1S2473T77
	or 46086000	1S1588TP-3

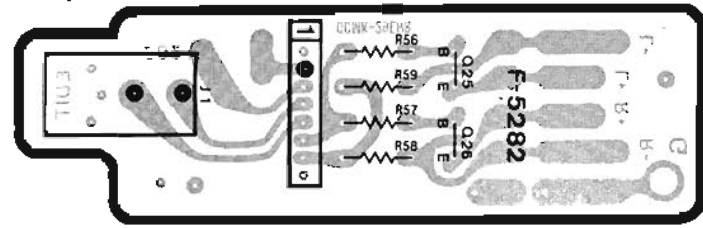
Parts No.	Stock No.	Description
ID3	03117600	1S2473T77
	or 46086000	1S1588TP-3
ID4	03117600	1S2473T77
	or 46086000	1S1588TP-3
ID5	03117600	1S2473T77
	or 46086000	1S1588TP-3
ID6	03117600	1S2473T77
	or 46086000	1S1588TP-3
ID7	03117600	1S2473T77
	or 46086000	1S1588TP-3
ID8	03117600	1S2473T77
	or 46086000	1S1588TP-3
ID9	03117600	1S2473T77
	or 46086000	1S1588TP-3
ID10	03117600	1S2473T77
	or 46086000	1S1588TP-3
ID11	03117600	1S2473T77
	or 46086000	1S1588TP-3
ID12	03117600	1S2473T77
	or 46086000	1S1588TP-3
ID13	03117600	1S2473T77
	or 46086000	1S1588TP-3
ID14	03117600	1S2473T77
	or 46086000	1S1588TP-3
• Zener Diode		
IDZ1	46113000	05Z9 1-Y
IDZ2	46112700	05Z8.2-Y
IR30	00116200	4.7Ω 1/2W F R
IR63	46249400	120Ω 1W N I R
IR97	46229000	100Ω 1/2W N.I.R
IC16	46284100	0.1μF 50V.F C
IVR1	46634100	4.7kΩ S.V.R., Offset Adj
IVR2	46634500	22kΩ S.V.R., Servo Gain Adj.
IVR3	46635100	220kΩ S.V.R., F Sensor Adj.
IVR4	46635200	330kΩ S.V.R., E Sensor Adj.
IVR5	46635300	470kΩ S.V.R., Delay Adj.
• LED		
gLD1	46095200	TLR123 PROGRAM 1
gLD2	46095200	TLR123 PROGRAM 2
gLD3	46095200	TLR123 PROGRAM 3
gLD4	03192400	BR3402S STAND-BY
gLD5	46095200	TLR123 PROGRAM 5
gLD6	46095200	TLR123 PROGRAM 6
gLD7	46095200	TLR123 PROGRAM 7
gLD8	46095200	TLR123 PROGRAM 8
gLD9	46095200	TLR123 REPEAT
gLD10	46095200	TLR123 INTROSkip
gLD11	07250800	TLO-123 Compu Edit
gLD12	46095200	TLR123 PROGRAM 4
gLD13	07250900	TLG-123A LOCKED
gSW1	48113200	Push SW., START/STOP
gSW2	48113200	Push SW., MANUAL ◀
gSW3	48113200	Push SW., MANUAL ▶
gSW4	48113200	Push SW., UP/DOWN
gSW5	48113200	Push SW., INTROSkip
gSW6	48113200	Push SW., REPEAT
gSW7	46547000	Push SW., CLEAR
gSW8	46547000	Push SW., 1
gSW9	48316300	Slide SW., SPEED
gSW10	48316400	Slide SW., SENSITIVITY
gSW11	46547000	Push SW., 2
gSW12	46547000	Push SW., 3
gSW13	46547000	Push SW., 4
gSW14	46547000	Push SW., 5
gSW15	46547000	Push SW., 6
gSW16	46547000	Push SW., 7
gSW17	46547000	Push SW., 8

Parts No.	Stock No.	Description
• Transistor		
hQ2	46614101	2SC3243
	or 48000901	2SC2060
• Diode		
hD1	03117000	RB152-LFF
hR1	46625200	560Ω 2W N I R
hR3	46248900	47Ω 1W N.I.R.
hR5	46250700	1.5kΩ 1W N.I.R.
• Zener Diode		
hD1	46114000	05Z12-Z
	or 46114100	05Z13-X
hDZ2	46111400	05Z5 6-X
	or 46111500	05Z5 6-Y
hR1	46625200	560Ω 2W N I R.
hC1	07121800	1000μF 35V E C
hSW1	46164900	Push SW., POWER

6. EXPLODED VIEW OF AUTO MECHANISM & PARTS LIST

4-4. F-5282 Compu Selector Jack Board

Component Side

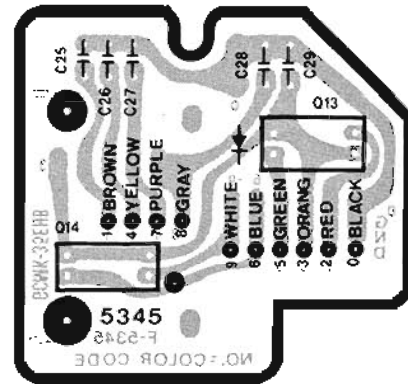


Parts List

Parts No.	Stock No.	Description
• Transistor fQ25	46118801	2SC2878
	or 48387701	2SC3327
fQ26	46118801	2SC2878
	or 48387701	2SC3327
iz110	46547200	Jack, COMPU EDIT

4-6. F-5345 Pulse Counter & Arm Servo Sensor Board

Component Side

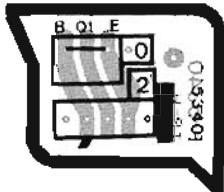


Parts List

Parts No.	Stock No.	Description
fQ13	46395800	Photo INTERRUPTER, GP-1S04
fQ14	46938400	Photo INTERRUPTER, ON1128

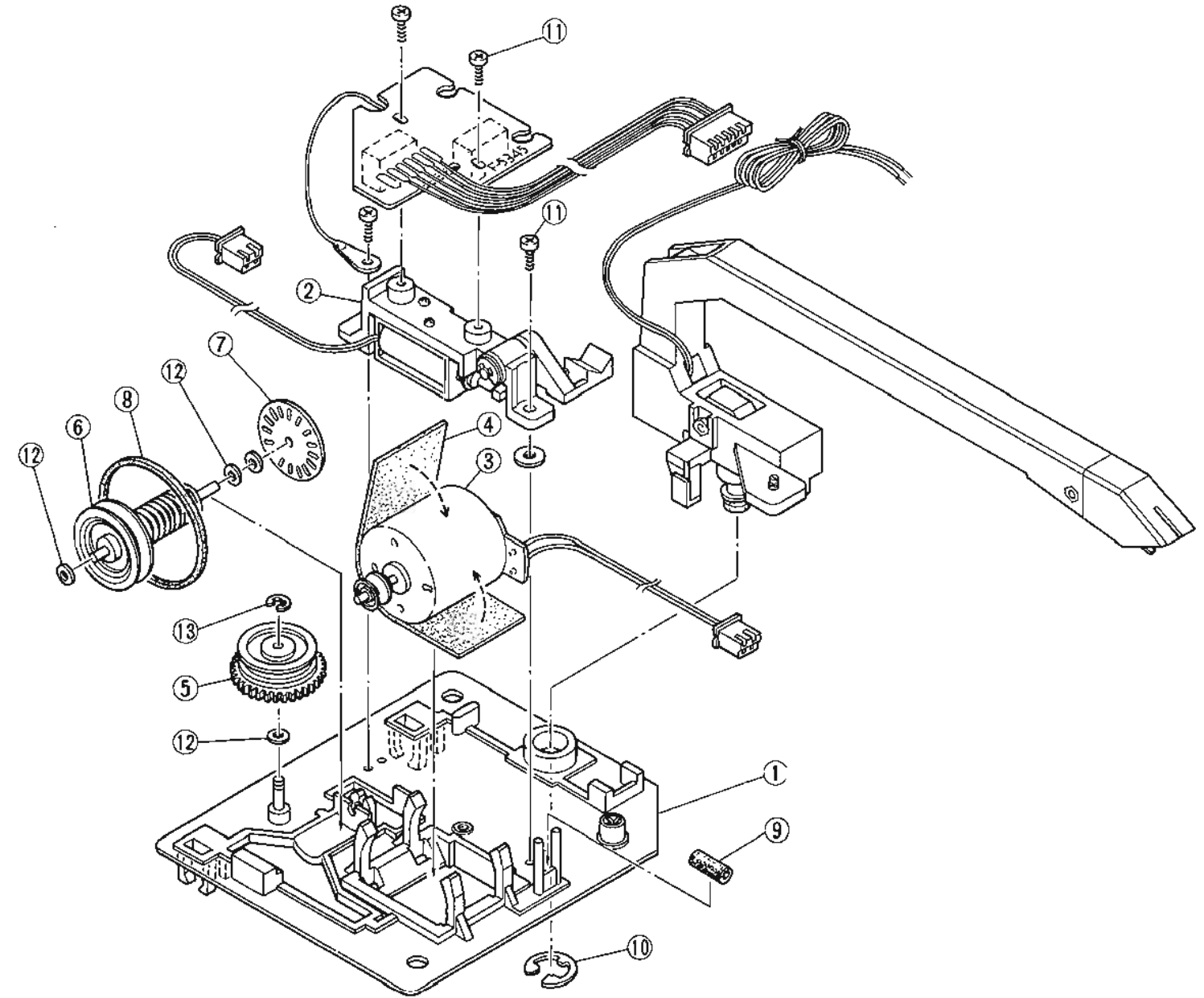
4-5. F-5340 Voltage Transistor Board

Component Side



Parts List

Parts No.	Stock No.	Description
• Transistor hQ1	48150101	2SD1406

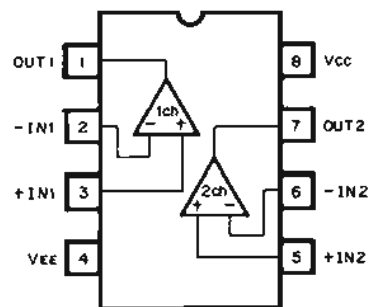


Parts List

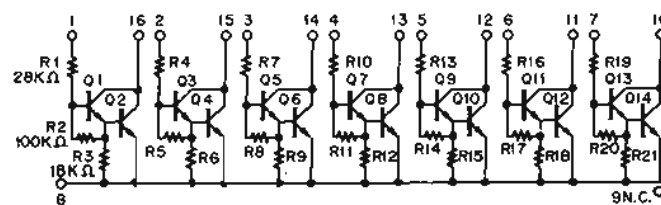
Parts No.	Stock No.	Description
1	27046600	Mecha Chassis
2	48447500	Lifter Ass'y
3	48362000	DC Motor
4	27064600	Motor Holder Rubber
5	13215820	Drive Gear
6	27040200	Worm Pulley
7	13274600	Slit Plate
8	13103810	Belt
9	13718500	Rubber Bushing
10	48368000	E Ring
11	48368100	Screw, M2.6x6
12	51821600	Washer
13	13285900	2.3φ E Ring

5. INTERIOR BLOCK DIAGRAM OF IC

• BA-728/NJM2904D (OP Amp.)

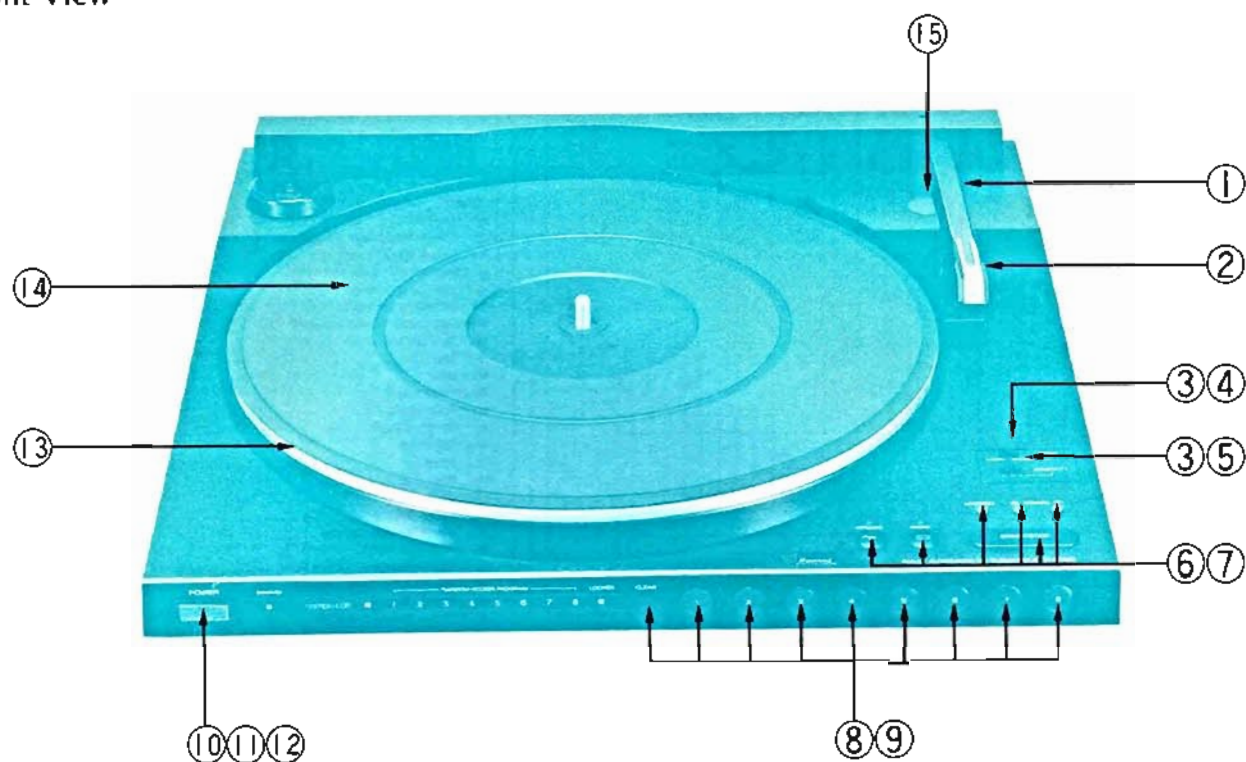


• BA-6250 (7 Transistor Array)



7. OTHER PARTS

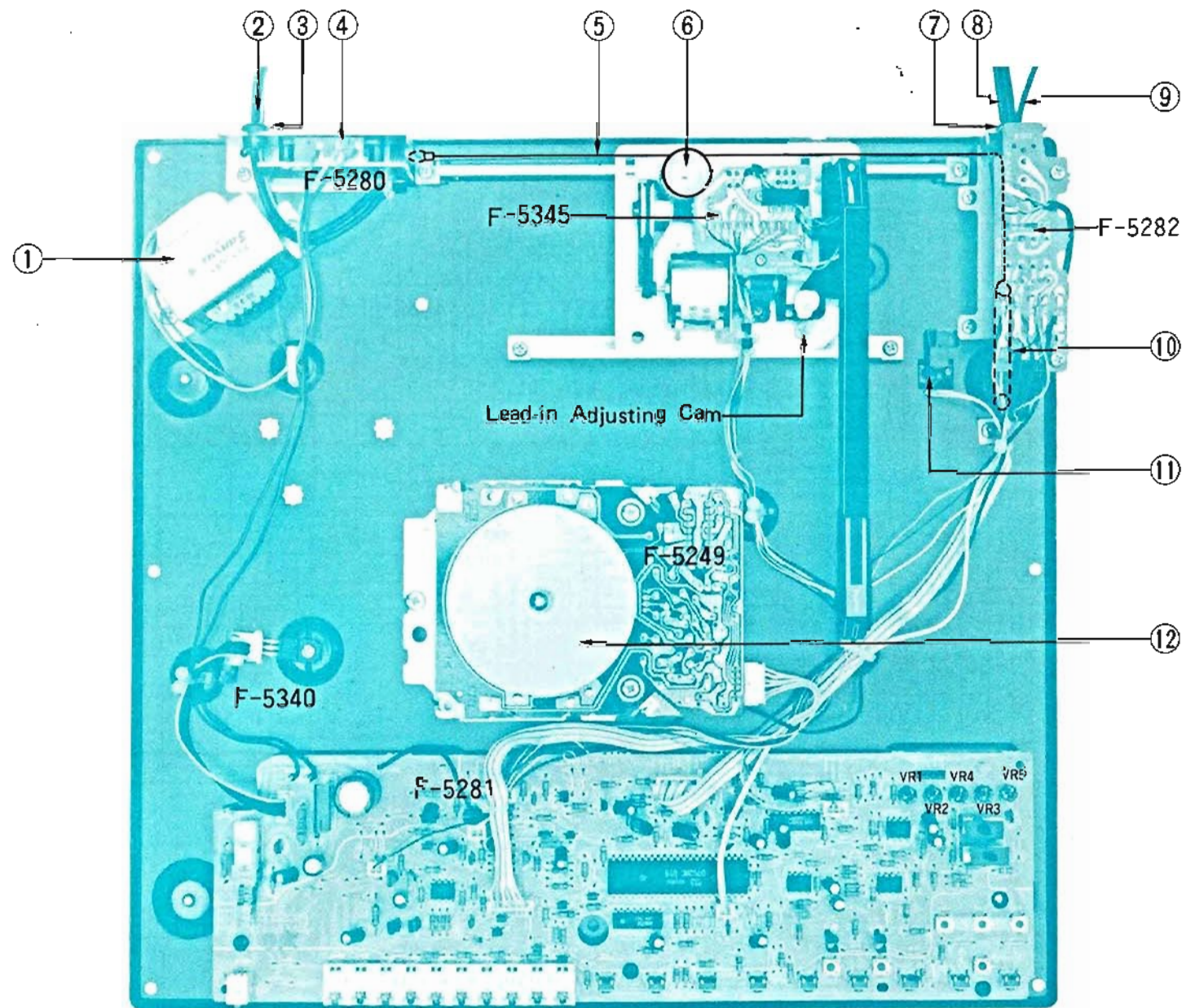
7-1. Front View



Parts List

Parts No.	Stock No.	Description
1	13734300	Tonearm Ass'y with Cartridge
2	48385800	SN-757 Stylus
3	27083800	Slide Knob, SPEED. SENSITIVITY
4	48316300	Slide SW., SPEED
5	48316400	Slide SW., SENSITIVITY
6	48113200	Push SW., UP/DOWN. MANUAL. INTROSkip REPEAT. START/STOP
7	27070910	Push Knob Ass'y, UP/DOWN. MANUAL. INTROSkip. REPEAT. START/STOP
8	46547000	Push SW., RANDOM ACCESS PROGRAM. CLEAR
9	27068100	Push Knob Ass'y, RANDOM ACCESS PROGRAM. CLEAR
10	27039700	Push Knob. POWER
11	27073200	Joint. POWER
12	46164900	Push SW., POWER
13	47961800	Platter
14	47961900	Rubber Mat (XX,CSA,EU,UK)
	47962000	Rubber Mat (UL)
15	27149500	Lead-in Adjust Hole Cover
	13145100	Insulator

7-2. Top View



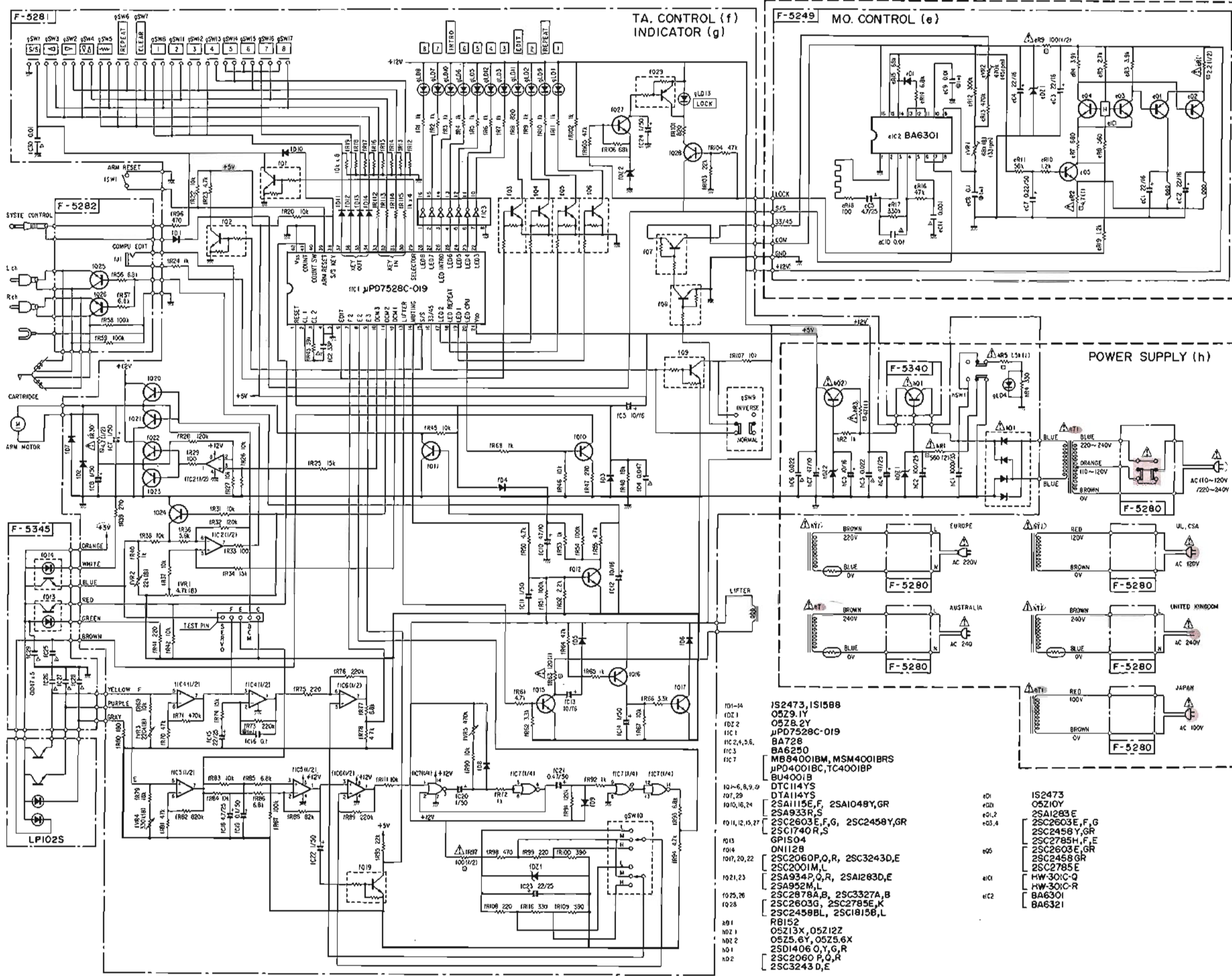
Parts List

Parts No.	Stock No.	Description
Δ 1	15023201	Power Transformer (XX)
Δ	15023202	Power Transformer (CSA)
Δ	15023205	Power Transformer (EU,UK)
Δ 2	46413200	Power Supply Cord (XX)
Δ	38004700	Power Supply Cord (UL)
Δ	38004500	Power Supply Cord (EU)
Δ	38004300	Power Supply Cord (UK)
Δ	48187400	Power Supply Cord (CSA)
3	39104900	Strain Relief (CSA,EU,UK)
	39106000	Strain Relief (XX,UL)
Δ 4	48310900	Slide SW., VOLTAGE SELECTOR (XX)
5	27015400	Drive Wire

Parts No.	Stock No.	Description
6	13215820	Drive Gear
7	39104900	Strain Relief
8	13154300	PU Output Cord (XX,CSA,EU,UK)
	13154400	PU Output Cord (UL)
9	48366410	Mini Pin Plug Cord (XX,CSA,EU,UK)
	48366510	Mini Pin Plug Cord (UL)
10	27064700	Spring, Drive Wire
11	46926900	Micro SW., Arm Reset
12	18132800	DD Motor Ass'y with F-5249 Motor Control Board

8. SCHEMATIC DIAGRAM

• Design and specifications subject to change without notice for improvement.
 • La présentation et les spécifications sont susceptibles d'être modifiées sans préavis par suites d'améliorations éventuelles.
 • Änderungen, die dem technischen Fortschritt dienen, bleiben vorbehalten.



- 25B764
- 25C1815
- 25A934
- 25A952
- 25A1283
- 25C2001
- 25C2060
- 25C2878
- 25C243
- 25A1048
- 25A1115
- 25C2458
- 25C2603
- DTA114YS
- DTA114YS
- 25A933S
- 25C1740S
- 25C2785
- 25C3327

- SYMBOL**
- △ Ceramic
 - △T Ceramic (Temperature Compensation)
 - △F Ceramic (Feed Through)
 - ⊖ Barrier Layer Capacitor
 - ⊖ Low-Leak Capacitor
 - ⊖ SP Si-Polar Electrolytic
 - ⊖(SP) Low-Leak Si-Polar Electrolytic
 - ⊖ To Tantalum Electrolytic
 - ⊖ Film
 - ⊖(M) Mylar
 - ⊖(PC) Polypropylene Film
 - ⊖(PP) Polypropylene Film
 - ⊖ Metallized Paper
 - ⊖ Polystyrene
 - ⊖ Glumatic
 - ⊖ Mic
 - ⊖ Mic
 - ⊖ C Di
 - ⊖ Fusible Resistor
 - ⊖ Non-Inflammable Resistor
 - ⊖ Metal Film Resistor
 - ⊖ Cement Resistor
 - ⊖ Non-Inductive Cement Resistor
 - ⊖ Printed Resistor
 - ⊖ Carbon Resistor (1/4 Watts)
 - ⊖ Chip Component (Cylindrical Type)
 - ⊖ Chip Component

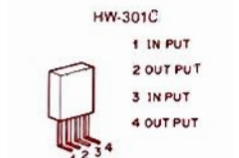
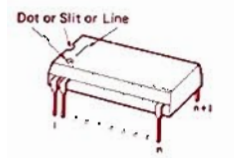
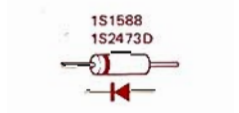
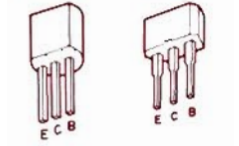
⚠ Safety part.
 Use only replacement parts recommended by the manufacturer.

RESISTORS
 Are in ohms, 1/4 Watts, ±5% Tolerance
 Unless Otherwise Noted: K, M, M, M

CAPACITORS
 Are in µF, Unless Otherwise Noted: P, µF
 Electrolytic Capacitor
 Capacitance (µF) / Volt (V)

TOLERANCE
 J: ±5%, 0: ±2%, F: ±1%
 Each O.C. Voltage shows the nominal value in volts or no input signal during recording

Each O.C. Voltage measured by the instruments described below shows the nominal value in volts at 33 V/3rpm measuring instruments.
 Volt Meter DC 20kΩ/V, AC 1kΩ/V
 Oscilloscope 5MΩ

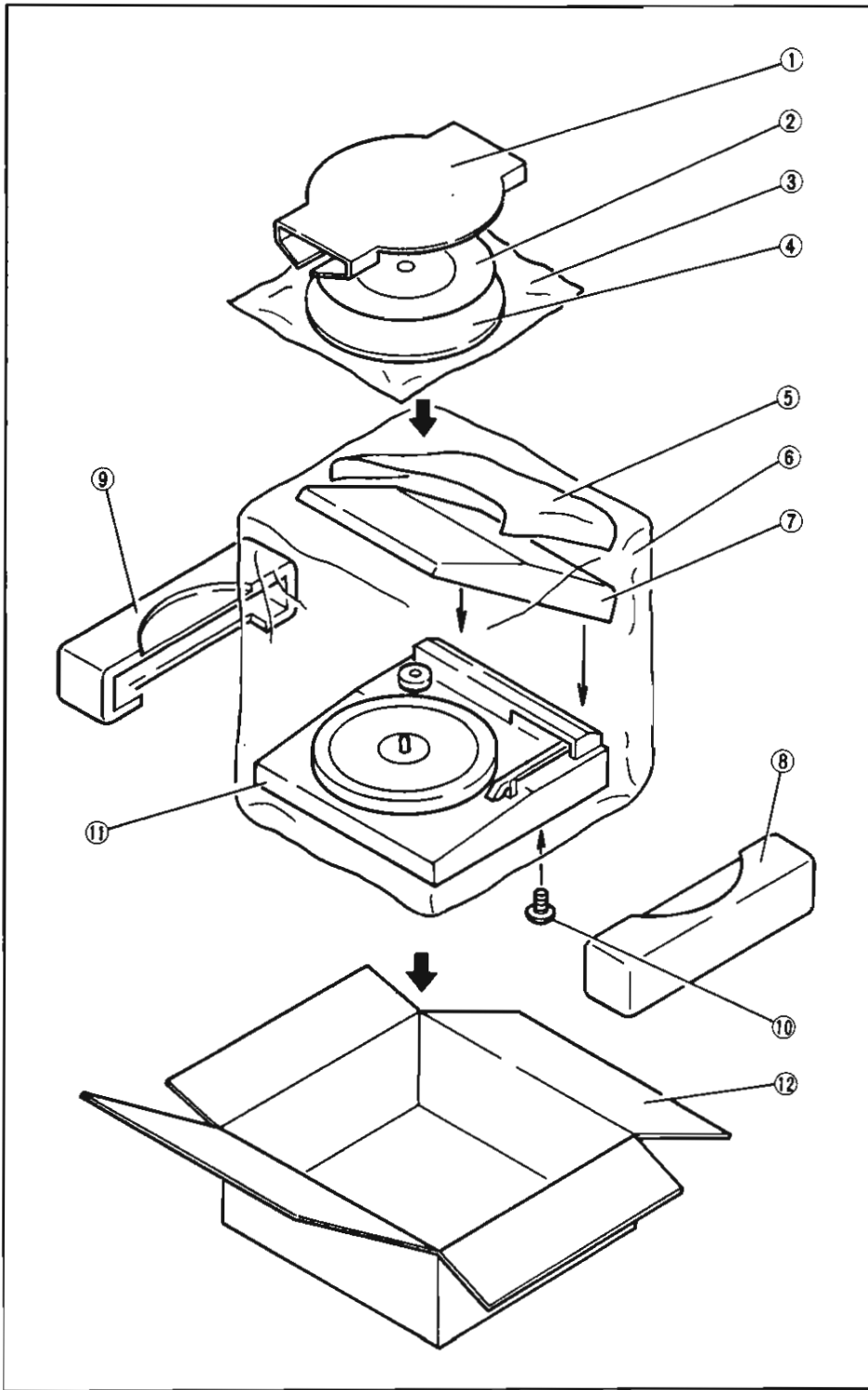


- IC1-14
- IC21
- IC22
- IC23
- IC24, 25, 26
- IC27
- IC28
- IC29
- IC30, 31, 32
- IC33, 34, 35, 36
- IC37
- IC38
- IC39
- IC40
- IC41
- IC42
- IC43
- IC44
- IC45
- IC46
- IC47
- IC48
- IC49
- IC50
- IC51
- IC52
- IC53
- IC54
- IC55
- IC56
- IC57
- IC58
- IC59
- IC60
- IC61
- IC62
- IC63
- IC64
- IC65
- IC66
- IC67
- IC68
- IC69
- IC70
- IC71
- IC72
- IC73
- IC74
- IC75
- IC76
- IC77
- IC78
- IC79
- IC80
- IC81
- IC82
- IC83
- IC84
- IC85
- IC86
- IC87
- IC88
- IC89
- IC90
- IC91
- IC92
- IC93
- IC94
- IC95
- IC96
- IC97
- IC98
- IC99
- IC100
- IC101
- IC102
- IC103
- IC104
- IC105
- IC106
- IC107
- IC108
- IC109
- IC110
- IC111
- IC112
- IC113
- IC114
- IC115
- IC116
- IC117
- IC118
- IC119
- IC120
- IC121
- IC122
- IC123
- IC124
- IC125
- IC126
- IC127
- IC128
- IC129
- IC130
- IC131
- IC132
- IC133
- IC134
- IC135
- IC136
- IC137
- IC138
- IC139
- IC140
- IC141
- IC142
- IC143
- IC144
- IC145
- IC146
- IC147
- IC148
- IC149
- IC150
- IC151
- IC152
- IC153
- IC154
- IC155
- IC156
- IC157
- IC158
- IC159
- IC160
- IC161
- IC162
- IC163
- IC164
- IC165
- IC166
- IC167
- IC168
- IC169
- IC170
- IC171
- IC172
- IC173
- IC174
- IC175
- IC176
- IC177
- IC178
- IC179
- IC180
- IC181
- IC182
- IC183
- IC184
- IC185
- IC186
- IC187
- IC188
- IC189
- IC190
- IC191
- IC192
- IC193
- IC194
- IC195
- IC196
- IC197
- IC198
- IC199
- IC200
- IC201
- IC202
- IC203
- IC204
- IC205
- IC206
- IC207
- IC208
- IC209
- IC210
- IC211
- IC212
- IC213
- IC214
- IC215
- IC216
- IC217
- IC218
- IC219
- IC220
- IC221
- IC222
- IC223
- IC224
- IC225
- IC226
- IC227
- IC228
- IC229
- IC230
- IC231
- IC232
- IC233
- IC234
- IC235
- IC236
- IC237
- IC238
- IC239
- IC240
- IC241
- IC242
- IC243
- IC244
- IC245
- IC246
- IC247
- IC248
- IC249
- IC250
- IC251
- IC252
- IC253
- IC254
- IC255
- IC256
- IC257
- IC258
- IC259
- IC260
- IC261
- IC262
- IC263
- IC264
- IC265
- IC266
- IC267
- IC268
- IC269
- IC270
- IC271
- IC272
- IC273
- IC274
- IC275
- IC276
- IC277
- IC278
- IC279
- IC280
- IC281
- IC282
- IC283
- IC284
- IC285
- IC286
- IC287
- IC288
- IC289
- IC290
- IC291
- IC292
- IC293
- IC294
- IC295
- IC296
- IC297
- IC298
- IC299
- IC300
- IC301
- IC302
- IC303
- IC304
- IC305
- IC306
- IC307
- IC308
- IC309
- IC310
- IC311
- IC312
- IC313
- IC314
- IC315
- IC316
- IC317
- IC318
- IC319
- IC320
- IC321
- IC322
- IC323
- IC324
- IC325
- IC326
- IC327
- IC328
- IC329
- IC330
- IC331
- IC332
- IC333
- IC334
- IC335
- IC336
- IC337
- IC338
- IC339
- IC340
- IC341
- IC342
- IC343
- IC344
- IC345
- IC346
- IC347
- IC348
- IC349
- IC350
- IC351
- IC352
- IC353
- IC354
- IC355
- IC356
- IC357
- IC358
- IC359
- IC360
- IC361
- IC362
- IC363
- IC364
- IC365
- IC366
- IC367
- IC368
- IC369
- IC370
- IC371
- IC372
- IC373
- IC374
- IC375
- IC376
- IC377
- IC378
- IC379
- IC380
- IC381
- IC382
- IC383
- IC384
- IC385
- IC386
- IC387
- IC388
- IC389
- IC390
- IC391
- IC392
- IC393
- IC394
- IC395
- IC396
- IC397
- IC398
- IC399
- IC400
- IC401
- IC402
- IC403
- IC404
- IC405
- IC406
- IC407
- IC408
- IC409
- IC410
- IC411
- IC412
- IC413
- IC414
- IC415
- IC416
- IC417
- IC418
- IC419
- IC420
- IC421
- IC422
- IC423
- IC424
- IC425
- IC426
- IC427
- IC428
- IC429
- IC430
- IC431
- IC432
- IC433
- IC434
- IC435
- IC436
- IC437
- IC438
- IC439
- IC440
- IC441
- IC442
- IC443
- IC444
- IC445
- IC446
- IC447
- IC448
- IC449
- IC450
- IC451
- IC452
- IC453
- IC454
- IC455
- IC456
- IC457
- IC458
- IC459
- IC460
- IC461
- IC462
- IC463
- IC464
- IC465
- IC466
- IC467
- IC468
- IC469
- IC470
- IC471
- IC472
- IC473
- IC474
- IC475
- IC476
- IC477
- IC478
- IC479
- IC480
- IC481
- IC482
- IC483
- IC484
- IC485
- IC486
- IC487
- IC488
- IC489
- IC490
- IC491
- IC492
- IC493
- IC494
- IC495
- IC496
- IC497
- IC498
- IC499
- IC500
- IC501
- IC502
- IC503
- IC504
- IC505
- IC506
- IC507
- IC508
- IC509
- IC510
- IC511
- IC512
- IC513
- IC514
- IC515
- IC516
- IC517
- IC518
- IC519
- IC520
- IC521
- IC522
- IC523
- IC524
- IC525
- IC526
- IC527
- IC528
- IC529
- IC530
- IC531
- IC532
- IC533
- IC534
- IC535
- IC536
- IC537
- IC538
- IC539
- IC540
- IC541
- IC542
- IC543
- IC544
- IC545
- IC546
- IC547
- IC548
- IC549
- IC550
- IC551
- IC552
- IC553
- IC554
- IC555
- IC556
- IC557
- IC558
- IC559
- IC560
- IC561
- IC562
- IC563
- IC564
- IC565
- IC566
- IC567
- IC568
- IC569
- IC570
- IC571
- IC572
- IC573
- IC574
- IC575
- IC576
- IC577
- IC578
- IC579
- IC580
- IC581
- IC582
- IC583
- IC584
- IC585
- IC586
- IC587
- IC588
- IC589
- IC590
- IC591
- IC592
- IC593
- IC594
- IC595
- IC596
- IC597
- IC598
- IC599
- IC600
- IC601
- IC602
- IC603
- IC604
- IC605
- IC606
- IC607
- IC608
- IC609
- IC610
- IC611
- IC612
- IC613
- IC614
- IC615
- IC616
- IC617
- IC618
- IC619
- IC620
- IC621
- IC622
- IC623
- IC624
- IC625
- IC626
- IC627
- IC628
- IC629
- IC630
- IC631
- IC632
- IC633
- IC634
- IC635
- IC636
- IC637
- IC638
- IC639
- IC640
- IC641
- IC642
- IC643
- IC644
- IC645
- IC646
- IC647
- IC648
- IC649
- IC650
- IC651
- IC652
- IC653
- IC654
- IC655
- IC656
- IC657
- IC658
- IC659
- IC660
- IC661
- IC662
- IC663
- IC664
- IC665
- IC666
- IC667
- IC668
- IC669
- IC670
- IC671
- IC672
- IC673
- IC674
- IC675
- IC676
- IC677
- IC678
- IC679
- IC680
- IC681
- IC682
- IC683
- IC684
- IC685
- IC686
- IC687
- IC688
- IC689
- IC690
- IC691
- IC692
- IC693
- IC694
- IC695
- IC696
- IC697
- IC698
- IC699
- IC700
- IC701
- IC702
- IC703
- IC704
- IC705
- IC706
- IC707
- IC708
- IC709
- IC710
- IC711
- IC712
- IC713
- IC714
- IC715
- IC716
- IC717
- IC718
- IC719
- IC720
- IC721
- IC722
- IC723
- IC724
- IC725
- IC726
- IC727
- IC728
- IC729
- IC730
- IC731
- IC732
- IC733
- IC734
- IC735
- IC736
- IC737
- IC738
- IC739
- IC740
- IC741
- IC742
- IC743
- IC744
- IC745
- IC746
- IC747
- IC748
- IC749
- IC750
- IC751
- IC752
- IC753
- IC754
- IC755
- IC756
- IC757
- IC758
- IC759
- IC760
- IC761
- IC762
- IC763
- IC764
- IC765
- IC766
- IC767
- IC768
- IC769
- IC770
- IC771
- IC772
- IC773
- IC774
- IC775
- IC776
- IC777
- IC778
- IC779
- IC780
- IC781
- IC782
- IC783
- IC784
- IC785
- IC786
- IC787
- IC788
- IC789
- IC790
- IC791
- IC792
- IC793
- IC794
- IC795
- IC796
- IC797
- IC798
- IC799
- IC800
- IC801
- IC802
- IC803
- IC804
- IC805
- IC806
- IC807
- IC808
- IC809
- IC810
- IC811
- IC812
- IC813
- IC814
- IC815
- IC816
- IC817
- IC818
- IC819
- IC820
- IC821
- IC822
- IC823
- IC824
- IC825
- IC826
- IC827
- IC828
- IC829
- IC830
- IC831
- IC832
- IC833
- IC834
- IC835
- IC836
- IC837
- IC838
- IC839
- IC840
- IC841
- IC842
- IC843
- IC844
- IC845
- IC846
- IC847
- IC848
- IC849
- IC850
- IC851
- IC852
- IC853
- IC854
- IC855
- IC856
- IC857
- IC858
- IC859
- IC860
- IC861
- IC862
- IC863
- IC864
- IC865
- IC866
- IC867
- IC868
- IC869
- IC870
- IC871
- IC872
- IC873
- IC874
- IC875
- IC876
- IC877
- IC878
- IC879
- IC880
- IC881
- IC882
- IC883
- IC884
- IC885
- IC886
- IC887
- IC888
- IC889
- IC890
- IC891
- IC892
- IC893
- IC894
- IC895
- IC896
- IC897
- IC898
- IC899
- IC900
- IC901
- IC902
- IC903
- IC904
- IC905
- IC906
- IC907
- IC908
- IC909
- IC910
- IC911
- IC912
- IC913
- IC914
- IC915
- IC916
- IC917
- IC918
- IC919
- IC920
- IC921
- IC922
- IC923
- IC924
- IC925
- IC926
- IC927
- IC928
- IC929
- IC930
- IC931
- IC932
- IC933
- IC934
- IC935
- IC936
- IC937
- IC938
- IC939
- IC940
- IC941
- IC942
- IC943
- IC944
- IC945
- IC946
- IC947
- IC948
- IC949
- IC950
- IC951
- IC952
- IC953
- IC954
- IC955
- IC956
- IC957
- IC958
- IC959
- IC960
- IC961
- IC962
- IC963
- IC964
- IC965
- IC966
- IC967
- IC968
- IC969
- IC970
- IC971
- IC972
- IC973
- IC974
- IC975
- IC976
- IC977
- IC978
- IC979
- IC980
- IC981
- IC982
- IC983
- IC984
- IC985
- IC986
- IC987
- IC988
- IC989
- IC990
- IC991
- IC992
- IC993
- IC994
- IC995
- IC996
- IC997
- IC998
- IC999
- IC1000

- IC1
- IC2
- IC3
- IC4
- IC5
- IC6
- IC7
- IC8
- IC9
- IC10
- IC11
- IC12

- IS2473
- OS210Y
- 2SA1283E
- 2SC2603E,F,G
- 2SC2458Y,GR
- 2SC2785H,F,E

9. PACKING LIST



Parts No.	Stock No.	Description
1	_____	Corrugated Board
2	47961900	Rubber Mat
3	_____	Vinyl Bag, Rubber Mat & Platter
4	47961800	Platter
5	_____	Cover
6	47859600	Vinyl Bag
7	27064800	Dust Cover Ass'y
	48366700	Auto Hinge
8	27118500	Styrofoam Packing (Right)
9	27118300	Styrofoam Packing (Left)
10	27087400	Shipping Screw
11	_____	Turntable Unit
12	27073700	Carton Case

10. ACCESSORY LIST

Stock No.	Description
13012300	EP Adaptor
46997300	Operating Instruction (*E.F.S)
46997400	Operating Instruction (*G.I.SW)
46981700	Operating Sheet

***Note:**

E.F.S :English, France and Spanish Version
 G.I.SW:Germany, Italian and SWedish Version



SANSUI ELECTRIC CO., LTD.:

SANSUI ELECTRONICS CORPORATION:

SANSUI ELECTRONICS (U.K.) LTD.:
SANSUI ELECTRONICS G.M.B.H.:

14-1, Izumi 2-chome, Suginami-ku, Tokyo 168 Japan
PHONE: (03) 324-8891/TELEX: 232-2076 (International Division)
1250 Valley Brook Ave. Lyndhurst, N.J. 07071 U.S.A.
17150 South Margay Ave. Carson, California 90746 U.S.A.
3036 Koapaka Street, Honolulu, Hawaii 96819 U.S.A.
Unit 10A, Lyon Industrial Estate, Rockware Avenue, Greenford, Middx UB6, OAA, England
Pau Ehrich Strasse 8, 6074 Rödermark 2, West Germany