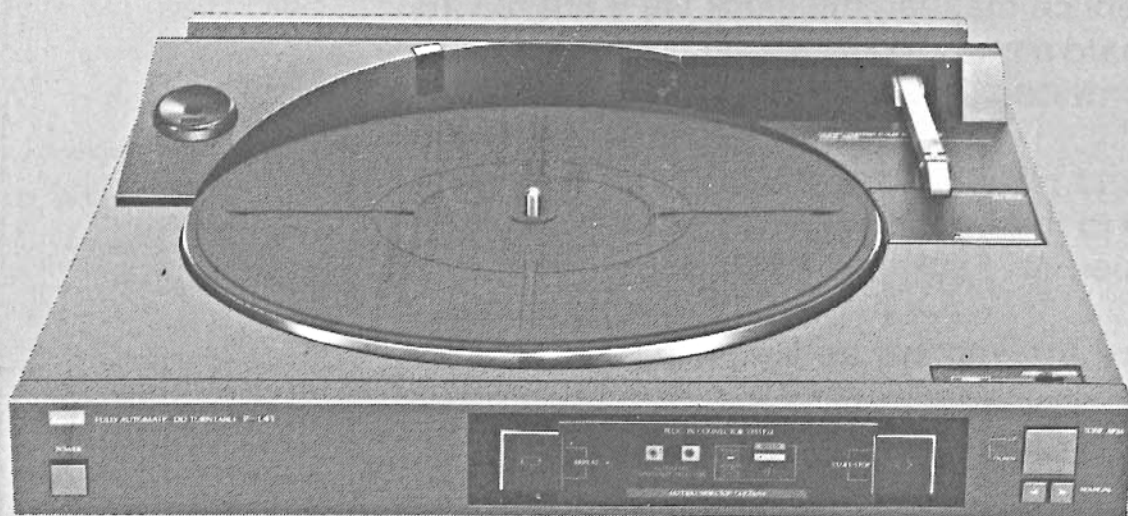


SERVICE MANUAL

FULLY AUTOMATIC DD TURNTABLE

SANSUI P-L41

(Silver & Black Model)



CAUTION

1. Parts identified by the \triangle symbol on the schematic diagram and the parts list are critical for safety. Use only replacement parts that have critical characteristics recommended by the manufacturer.
2. Make leakage-current or resistance measurements to determine that exposed parts are acceptably insulated from the supply circuit before returning the appliance to the customer.

•SPECIFICATIONS

Type.....	Direct-drive turntable
Rated speeds.....	33-1/3, 45 rpm
Platter.....	Aluminum alloy diecast, 306 mm (12-1/16") diameter, 0.6 kg (1.3 lbs.) weight
Motor.....	Coreless and Brushless DC/FG Servo
Wow/flutter.....	0.028% (WRMS)
Signal-to-noise ratio.....	Better than 72 dB (DIN-B) Better than 60 dB (IEC-B)
Tonearm.....	Statically-balanced type
Effective tonearm length.....	142 mm (5-5/8")
Power voltage.....	110 ~ 120/220 ~ 240V (50/60 Hz)
For U.S.A. and Canada.....	120 V (60 Hz)
Power consumption.....	17 W
Dimensions.....	430 mm (16-29/32") W 114 mm (4-1/2") H 373 mm (14-11/16") D
Weight.....	6.9 kg (15.2 lbs.) net 8.2 kg (18.1 lbs.) packed

Specifications of the cartridge (applicable only to the units with cartridge)

Model SV-P515

Type.....	Dual Magnet type
Output voltage.....	2.5 mV (1,000 Hz, 35.4 mm/sec)
Correct load impedance..	47 kohms
Frequency response.....	10 ~ 20,000 Hz
Stylus.....	0.6 mil diamond stylus (SN-P515 replacement stylus)

* Design and specifications subject to change without notice for improvements.

Sansui

SANSUI ELECTRIC CO., LTD.

CAUTION

1. The symbols, UL, CSA, SA, BS, UK, EU, AS and XX (EXPORT) on the parts list and the schematic diagram mean followings respectively.
 - UL..... Manufactured for U.S.A market.
(Underwriters Laboratories approved model.)
 - CSA Manufactured for Canadian market.
 - SA..... Manufactured for South African market.
 - BS, UK Manufactured for United Kingdom market.
 - EU Manufactured for European market.
 - AS..... Manufactured for Australian market.
 - XX (EXPORT) Standard Version.
 - NON MARK Common Parts.

2. Some printed circuit boards are not supplied as the assembled. To separate these in this service manual, the stock No's are not indicated at the ends of the board names. However, the individual parts on the circuit boards are provided by orders.

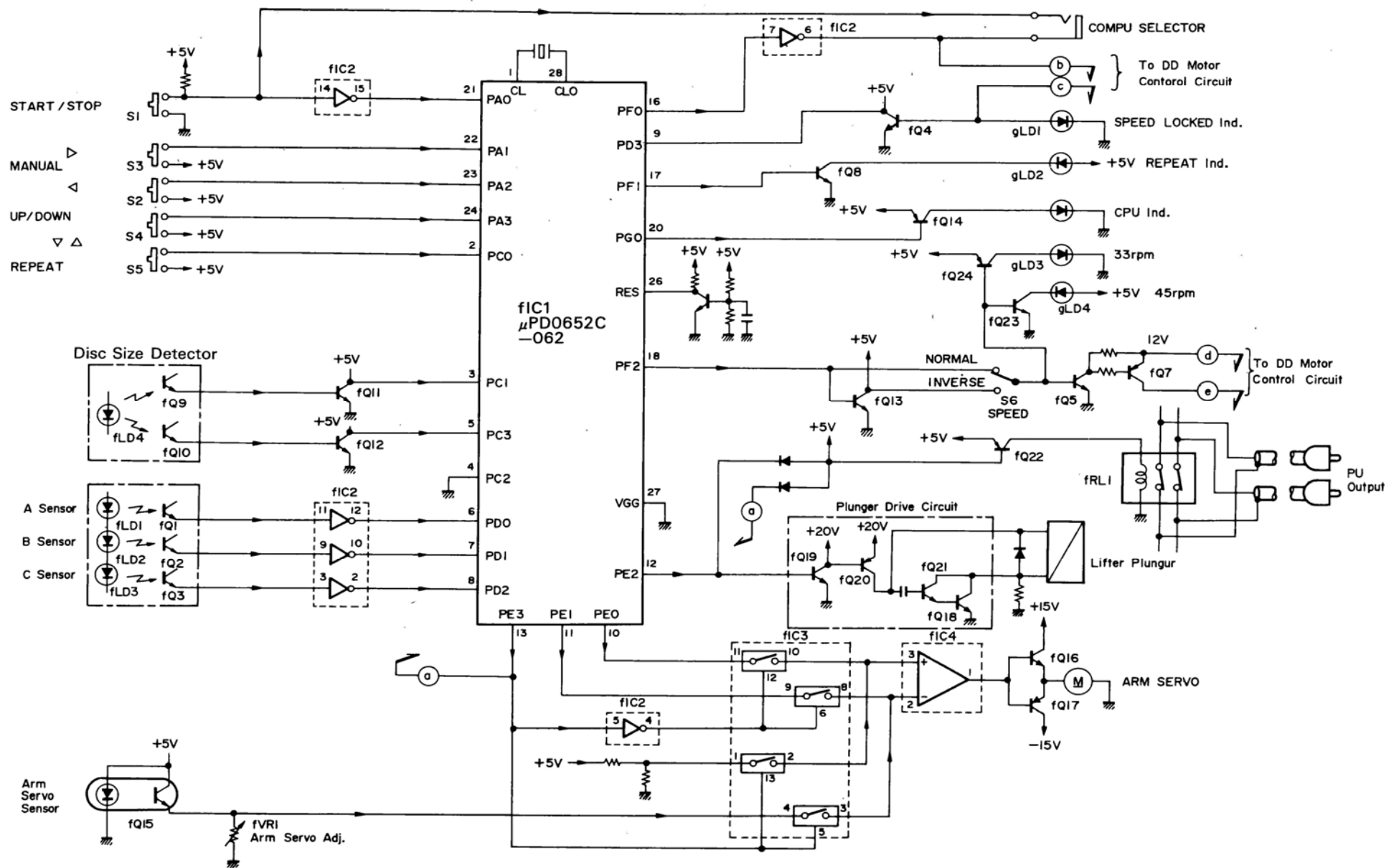
3. Since some of capacitors and resistors are omitted from parts lists in this service manual, refer to the Common Parts List for capacitors & resistors, which was issued on February 1983.

4. Abbreviations in this service manual are as follows.

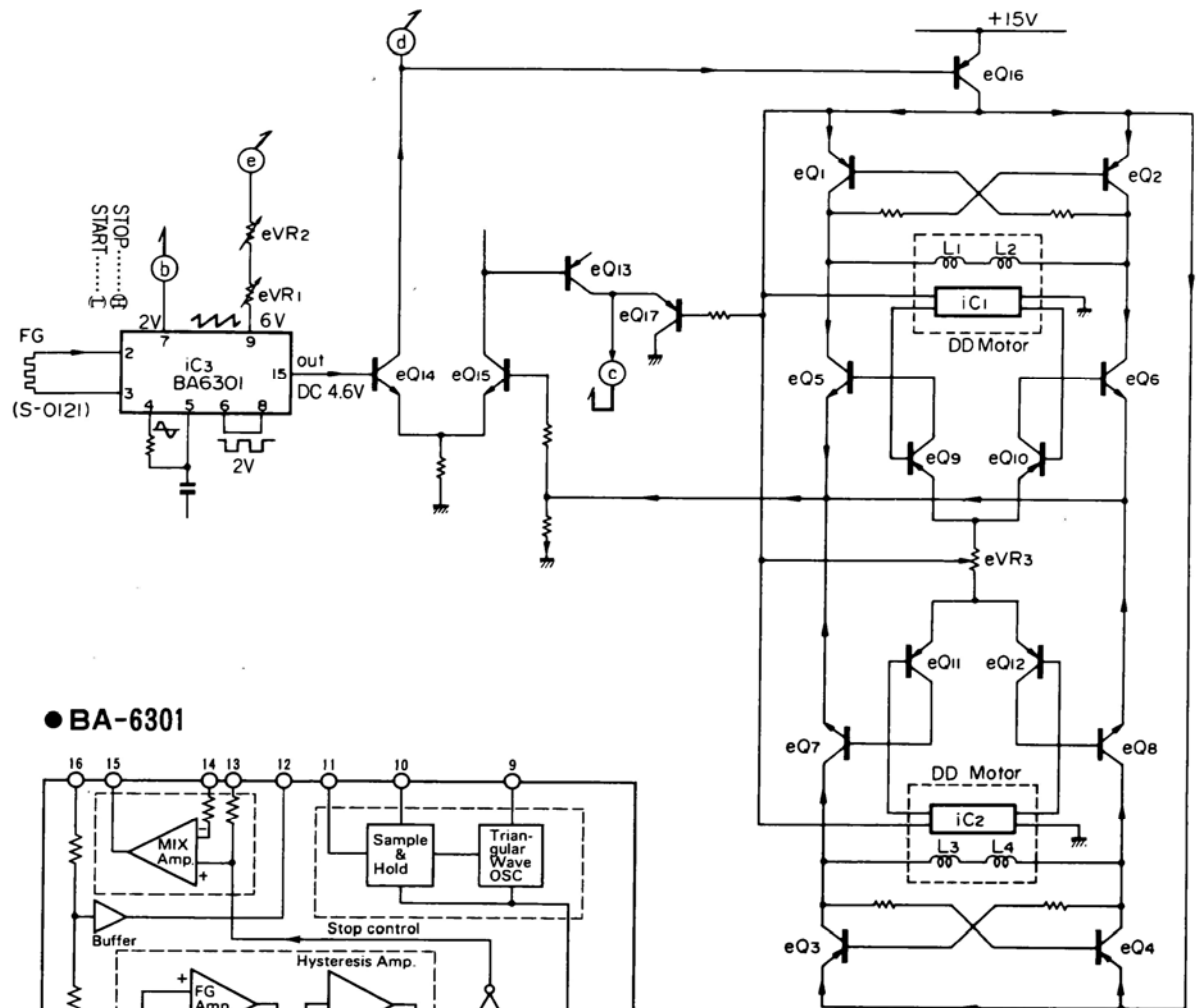
•Abbreviations List

C.R.	: Carbon Resistor	E.B.L.	: Low Leak Bi-Polar Electrolytic Capacitor
S.R.	: Solid Resistor	Ta.C.	: Tantalum Capacitor
Ce.R.	: Cement Resistor	F.C.	: Film Capacitor
M.R.	: Metal Film Resistor	M.P.	: Metalized Paper Capacitor
F.R.	: Fusing Resistor	P.C.	: Polystyrene Capacitor
N.I.R.	: Non-Inflammable Resistor	G.C.	: Gimmic Capacitor
A.R.	: Array Resistor	A.C.	: Array Capacitor
C.C.	: Ceramic Capacitor	V.R.	: Variable Resistor
C.T.	: Ceramic Capacitor, Temoerature Compensation	S.V.R.	: Semi Variable Resistor
E.C.	: Electrolytic Capacitor	SW.	: Switch
E.L.	: Low Leak Electrolytic Capacitor	Chip R.	: Chip Resistor
E.B.	: Bi-Polar Electrolytic Capacitor	Chip C.	: Chip Capacitor

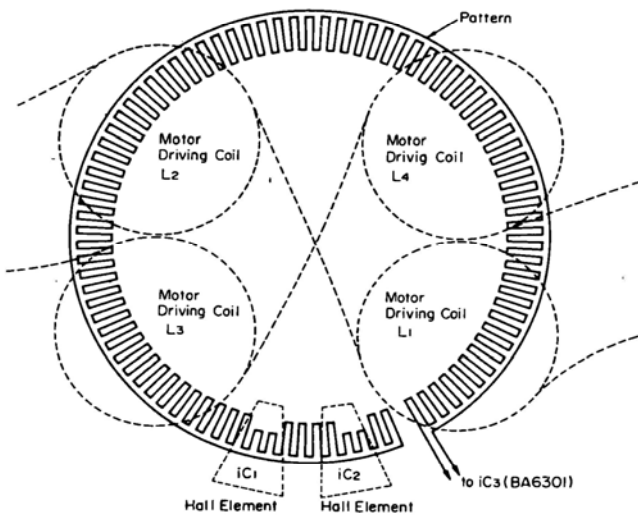
1. BLOCK DIAGRAM



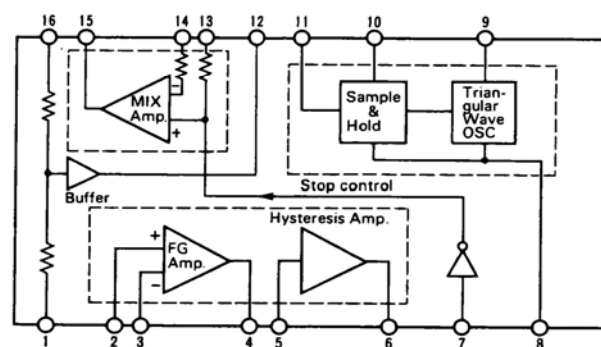
•DD Motor Control Section



Parttern drawing of motor section (S-0121 Motor Control Circuit Board)

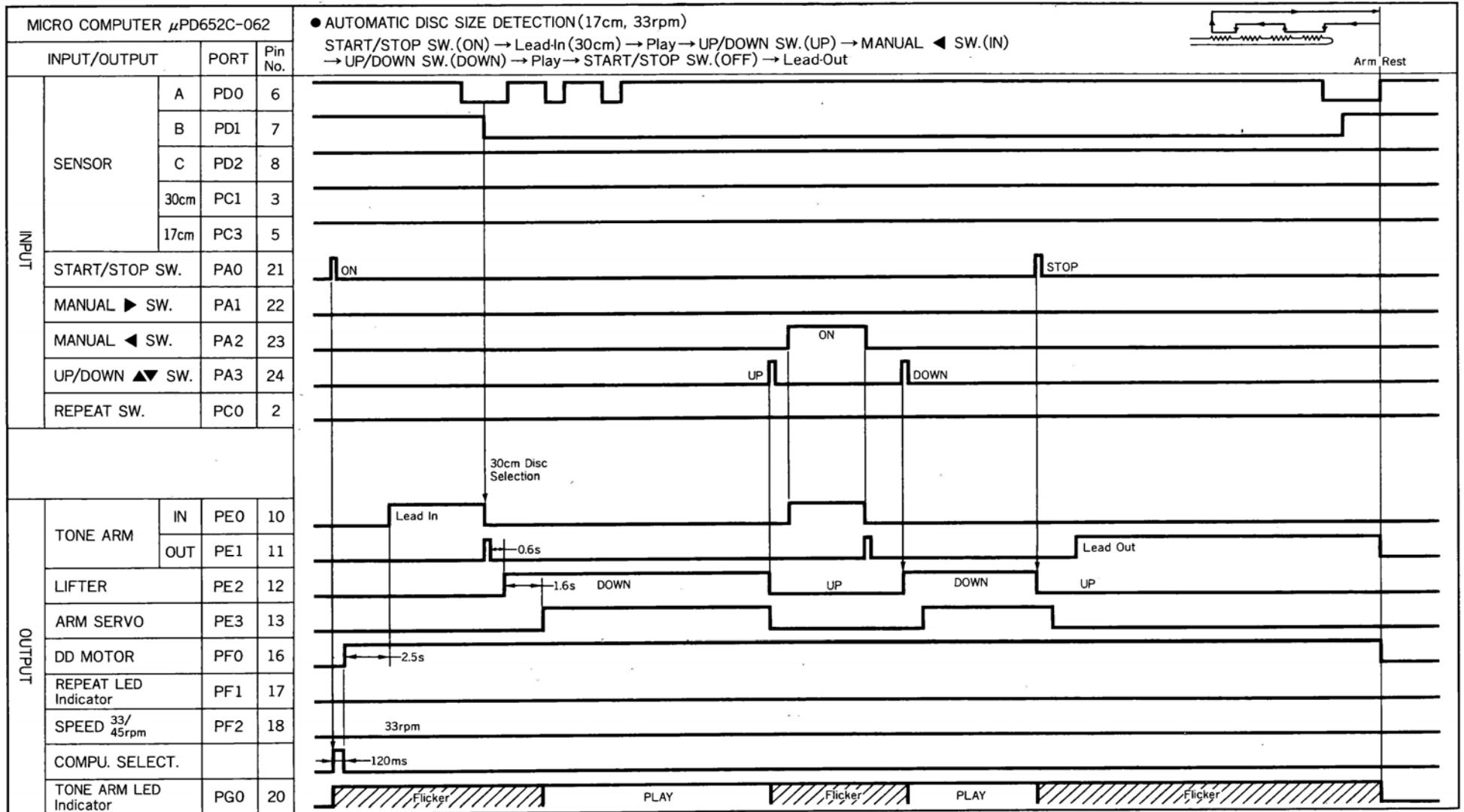


•BA-6301

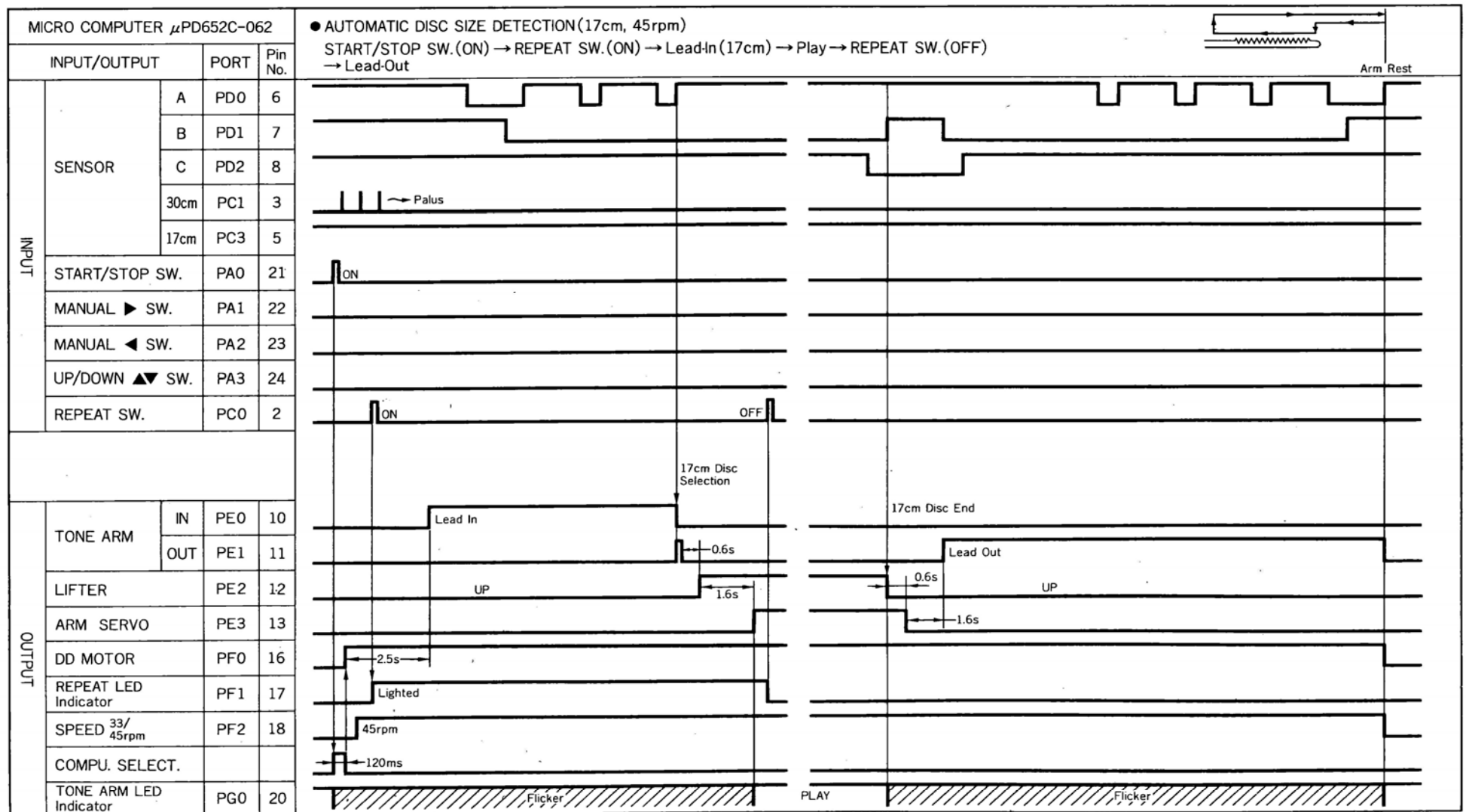


2. MICRO COMPUTER, μ PD652C-062 TIMING CHART

•Timing Chart 1 AUTOMATIC DISC SIZE DETECTION (30 cm, 33 rpm)



•Timing Chart 2 AUTOMATIC DISC SIZE DETECTION (17 cm, 45 rpm)



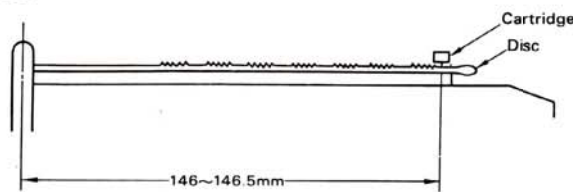
3. ADJUSTMENTS

Note: Before adjustments of 3-1 and 3-2, remove the player case cover only.

3-1. Adjustment of Automatic Disc Size Selection Operation (See Figs. 3-1 and 3-3)

- 1) By using 30 cm size disc, actually carry out the automatic disc size operation (lead-in operation). Adjust the lead-in adjusting cam (See Fig. 3-3) so that the stylus tip may come down to the position (the lead-in groove position) 146~146.5 mm away from the disc center (See Fig. 3-1).
- 2) By using 17 cm size record, actually carry out the automatic disc size operation (lead-in operation). Confirm that the stylus tip may come down to the lead-in groove position.

Fig. 3-1



3-2. Adjustment of Tone Arm Height Operation (See Figs. 3-2 (a), (b) and 3-3)

• Required disc and measuring instruments

- 1) Tester (DC voltmeter)
Input impedance: 50k Ω /V or more. (The higher, the better)
- 2) A vinyl chloride record disc without grooves or with wider leadout spiral than usual.
- 3) A rule with graduation marks starting from the edge.

• Adjustment

Adjust the height as shown in Fig. 3-2 (a), (b) by rotating the tone arm height adjusting screw (See Fig. 3-3). (Stop the stylus at a position about 110 mm away from the disc center.)

Fig.3-2(a)

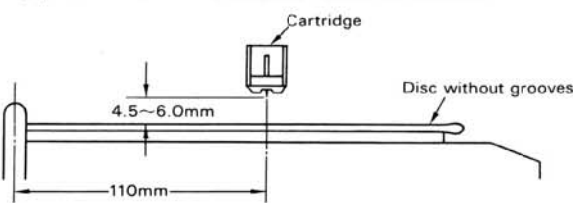


Fig.3-2(b)

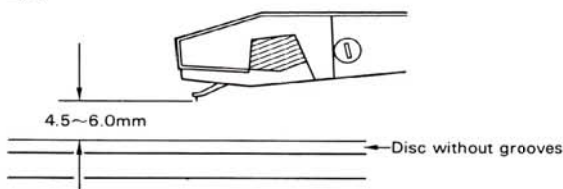
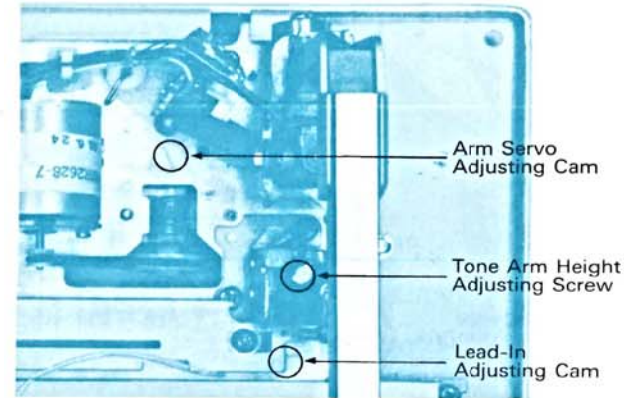


Fig. 3-3

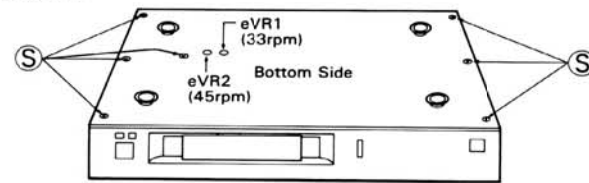


3-3. Speed Adjustment

- 1-a) Set the Speed Selector to Normal.
- 1-b) Mount a 30 cm size record disc and push the start/stop switch.
- 1-c) Adjust eVR1 on the D.D. Motor Control Circuit Board (See Fig. 3-10) so as to standstill the strobo marking pattern.
- 2-a) Set the Speed Selector to Normal.
- 2-b) Mount a 17 cm size record disc and push the start/stop switch.
- 2-c) Adjust eVR2 on the D.D. Motor Control Circuit Board (See Fig. 3-4) so as to standstill the strobo marking pattern.

- Set eVR3 (S-0121) center position.

Fig. 3-4



Note: Remove the cabinet before adjustment of 3-4.

• How to remove the cabinet. (See Top View on page 8)

- 1) Take off turntable sheet and turntable platter.
- 2) Remove the play case cover.
- 3) Loosen 7 screws (S) to remove cabinet. (See Fig. 3-4)
- 4) Remove the cabinet upward slowly.

Note: Do not strike tone arm with the cabinet.

3-4. Arm Servo Signal Adjustment

(See Figs. 3-3, 3-5, 3-6 and 3-7)

- 1) Move the tone arm leftward and stop the stylus at a position about 105 mm away from the disc center by depressing the MANUAL (◀) key.
- 2) Connect the DC voltmeter across the test terminal "TR" and "G" shown in Fig. 3-6.
- 3) The tone arm servo level goes up more when the tone arm is moved rightward slightly by hand.
- 4) Adjust the voltage of "item 3)" to DC 4V by rotating the volume (fVR1).
- 5) Move the tone arm downward by depressing UP/DOWN key.
- 6) Rotate the arm servo adjusting cam slowly clockwise just right before the tone arm starts moving outwards, then read the indication on DC voltmeter.
- 7) Next, rotate the arm servo adjusting cam slowly counterclockwise just right before the tone arm starts moving inwards, then read the indication as well.
- 8) Set the fixed value to average voltage between two indications obtained in 6) and 7) above, by rotating (fVR1).
- 9) Connect the DC voltmeter across the terminal "M" and "G" (See Fig. 3-7) and then confirm that the voltage is within $\pm 1V$.
- 10) Check that the tone arm will not move in either direction when the UP/DOWN key is depressed repeatedly, if necessary, rotating the volume (fVR1) slightly.

Fig. 3-5

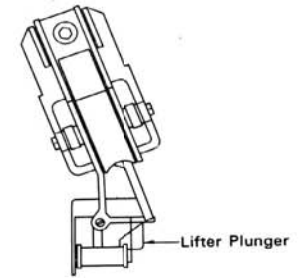


Fig. 3-6

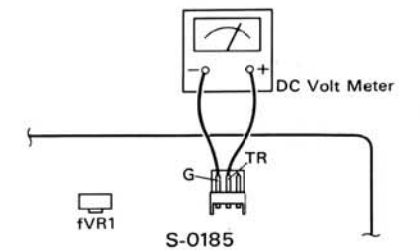
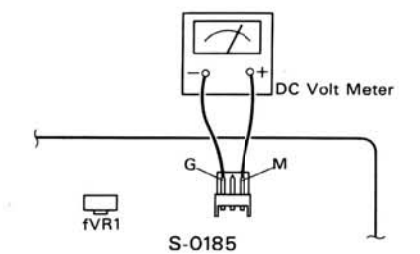


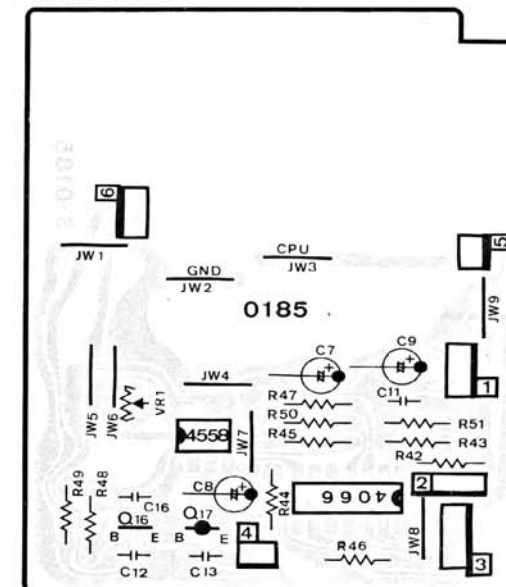
Fig. 3-7



4. PARTS LOCATION & PARTS LIST

4-1. S-0185 T.A. Control (Sub) Circuit Board (Stock No. 13257201)

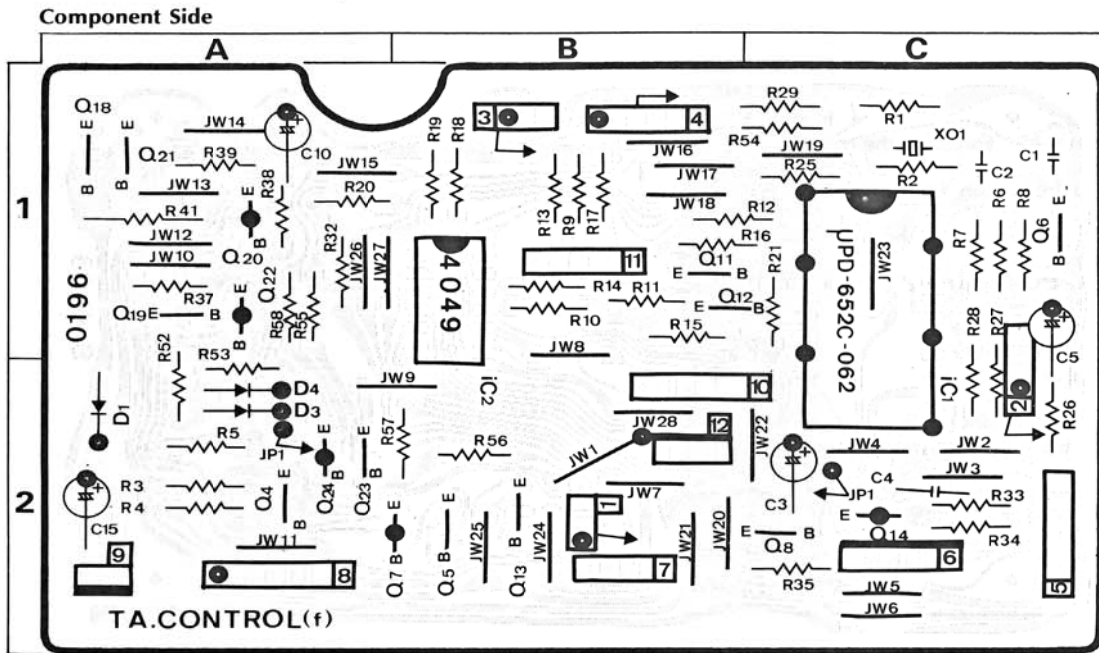
Component Side



Parts List

Parts No.	Stock No.	Description
• Transistor		
fQ16	46614101	2SC3243
fQ17	46614001	2SA1283
• IC		
fIC3	07264600	MSM4066RS
	or 46164300	MB84066B
fIC4	C3607700	NJM4558D
	or 46580100	M5218P
fVR1	46180100	10k Ω (B) S.V.R., arm servo adj.

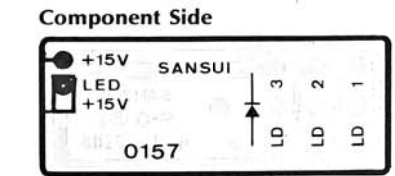
4-2. S-0196 T.A. Control (Main) Circuit Board (Stock No. 13250301)



Parts List

Parts No.	Stock No.	Description
•Transistor		
fQ4	46367101	2SC2603
	or 46367301	2SC2458
fQ5	46719900	DTC124
fQ6	46367101	2SC2603
	or 46367301	2SC2458
fQ7	46719800	DTA124
fQ8	46719900	DTC124
fQ11	46367101	2SC2603
	or 46367301	2SC2458
fQ12	46367101	2SC2603
	or 46367301	2SC2458
fQ13	46719900	DTC124
fQ14	46367001	2SA1115
	or 46367201	2SA1048
fQ18	46614101	2SC3243
fQ19	46719900	DTC124
fQ20	46614001	2SA1283
fQ21	46719900	DTC124
fQ22	46367001	2SA1115
	or 46367201	2SA1048

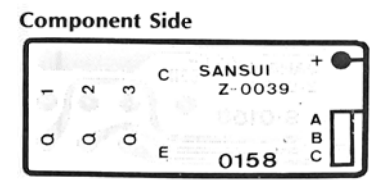
4-3. S-0157 A,B,C Sensor (L.E.D.) Circuit Board



Parts List

Parts No.	Stock No.	Description
•LED		
fLD1	46150400	TLR121
fLD2	46150400	TLR121
fLD3	46150400	TLR121

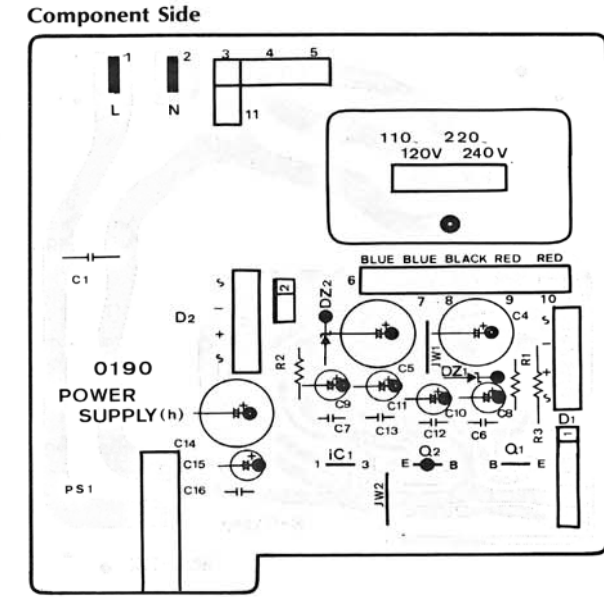
4-4. S-0158 A,B,C Sensor (Photo Transistor) Circuit Board



Parts List

Parts No.	Stock No.	Description
•Photo Transistor		
fQ1	46160000	TPS605
fQ2	46160000	TPS605
fQ3	46160000	TPS605

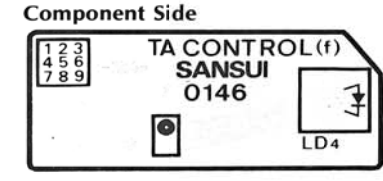
4-5. S-0190 Power Supply Circuit Board



Parts List

Parts No.	Stock No.	Description
•Transistor		
△hQ1	03083901	2SD313AL
△hQ2	46149301	2SB744
•IC		
△hIC1	07183500 or 46144200	μPC78M05H NJM78M05A
•Diode		
△hD1	03117000	RB-152
△hD2	03117000	RB-152
•Zener Diode		
hDZ1	46104500	05Z16-X
hDZ2	46104500	05Z16-X
△hR1	46230200	1kΩ 1/2W N.I.R.
△hR2	46230200	1kΩ 1/2W N.I.R.
△hR3	46623400	18Ω 2W N.I.R.
△hC1	46425800	0.01μF 400V C.C.
△hSW1	46413900	Push SW., POWER

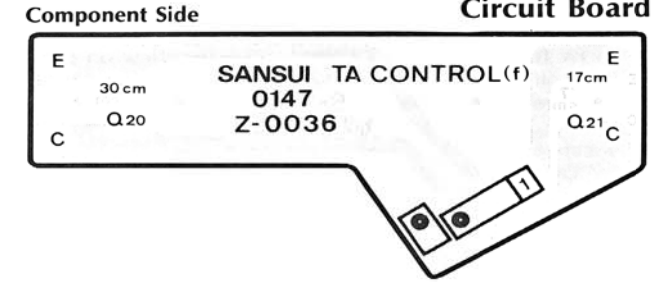
4-6. S-0146 Disc Size Sensor (L.E.D) Circuit Board



Parts List

Parts No.	Stock No.	Description
fLD4	46396000	LED GL-520

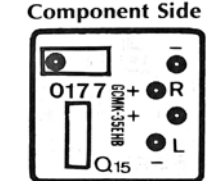
4-7. S-0147 Disc Size Sensor (Photo Transistor) Circuit Board



Parts List

Parts No.	Stock No.	Description
•Photo Transistor		
fQ9	03900100	PH101
fQ10	03900100	PH101

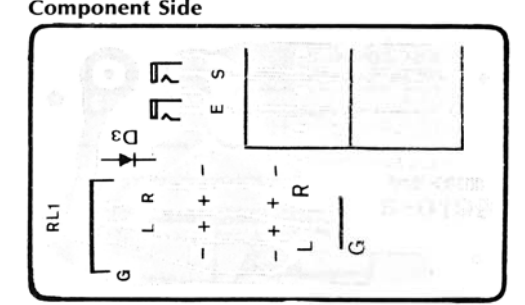
4-8. S-0177 Arm Servo Sensor Circuit Board



Parts List

Parts No.	Stock No.	Description
fQ15	46603900	Photo Coupler GP-1S03

4-9. S-0199 Muting Relay Circuit Board

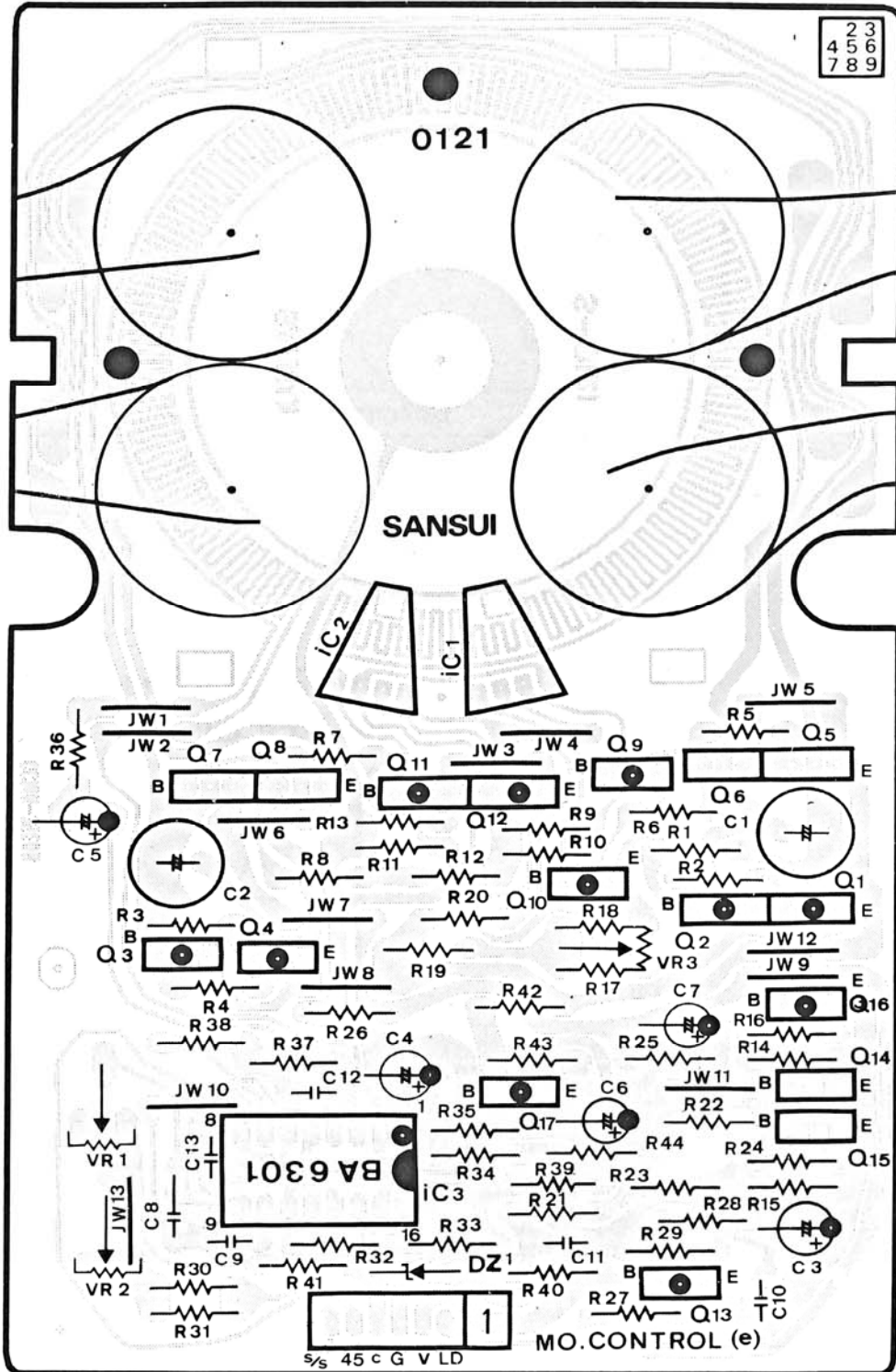


Parts List

Parts No.	Stock No.	Description
•Diode		
fD3	07176400	1S2473HS
fRL1	46173300	Relay
	46148200	Jack, COMPU SELECTOR, COMPU EDIT

4-10. S-0121 DD Motor Control Circuit Board

Component Side

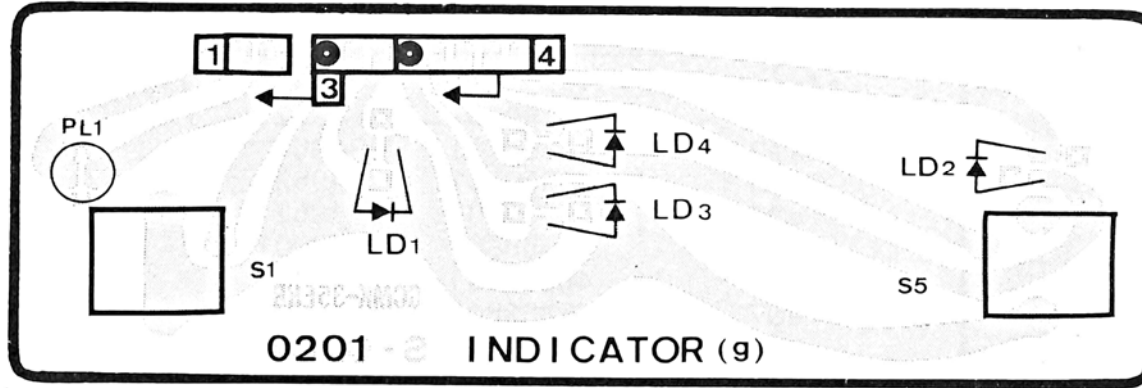


Parts List

Parts No.	Stock No.	Description
• Transistor		
eQ1	46359701	2SA952
eQ2	46359701	2SA952
eQ3	46359701	2SA952
eQ4	46359701	2SA952
eQ5	46359801	2SC2001
eQ6	46359801	2SC2001
eQ7	46359801	2SC2001
eQ8	46359801	2SC2001
eQ9	46367001	2SA1115
	or 46367201	2SA1048
	or 46367401	2SA733A
eQ10	46367001	2SA1115
	or 46367201	2SA1048
	or 46367401	2SA733A
eQ11	46367001	2SA1115
	or 46367201	2SA1048
	or 46367401	2SA733A
eQ12	46367001	2SA1115
	or 46367201	2SA1048
	or 46367401	2SA733A
eQ13	46367001	2SA1115
	or 46367201	2SA1048
	or 46367401	2SA733A
eQ14	46367101	2SC2603
	or 46367301	2SC2458
	or 46367501	2SC945A
eQ15	46367101	2SC2603
	or 46367301	2SC2458
	or 46367501	2SC945A
eQ16	46614001	2SA1283
eQ17	46367001	2SA1115
	or 46367201	2SA1048
	or 46367401	2SA733A
• IC		
eIC1	46354301	HW-301C-Q
	or 46354302	HW-301C-R
eIC2	46354301	HW-301C-Q
	or 46354302	HW-301C-R
eIC3	46354400	BA6301
• Zener Diode		
eDZ1	46113900	05Z12-Y
eR41	46639000	240kΩ 1/4W M.R.
eC1	08451100	22μF 16V E.B.
eC2	08451100	22μF 16V E.B.
eVR1	46366600	100kΩ(B) S.V.R., 33r.p.m.
eVR2	07241700	200kΩ(B) S.V.R., 45r.p.m.
eVR3	07241000	1kΩ(B) S.V.R., wow and flutter

4-11. S-0201 START/STOP, REPEAT Switch and Indicator Circuit Board

Component Side



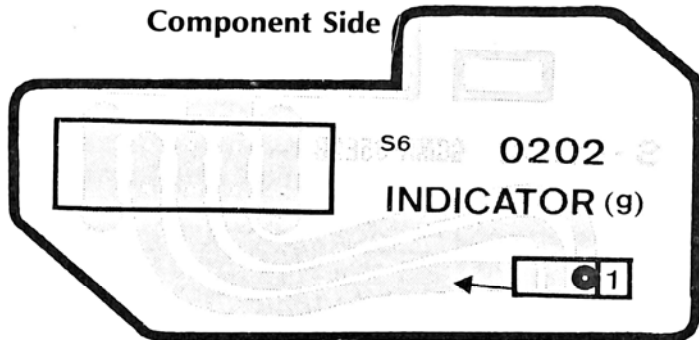
Parts List

Parts No.	Stock No.	Description
•Diode		
gLD1	07250900	TLG-123A
gLD2	46095200	TLR123
gLD3	46095200	TLR123
gLD4	46095200	TLR123

Parts No.	Stock No.	Description
	46438300	Pilot Lamp 12V 0.1A
gSW1	46395900	Push SW., START/STOP
gSW5	46395900	Push SW., REPEAT

4-12. S-0202 NORMAL/INVERSE Switch
Circuit Board

Component Side

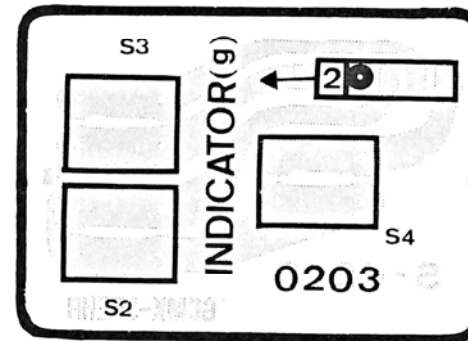


Parts List

Parts No.	Stock No.	Description
gSW6	07249800	Slide SW.

4-13. S-0203 Tone Arm UP/DOWN, MANUAL
Switch Circuit Board

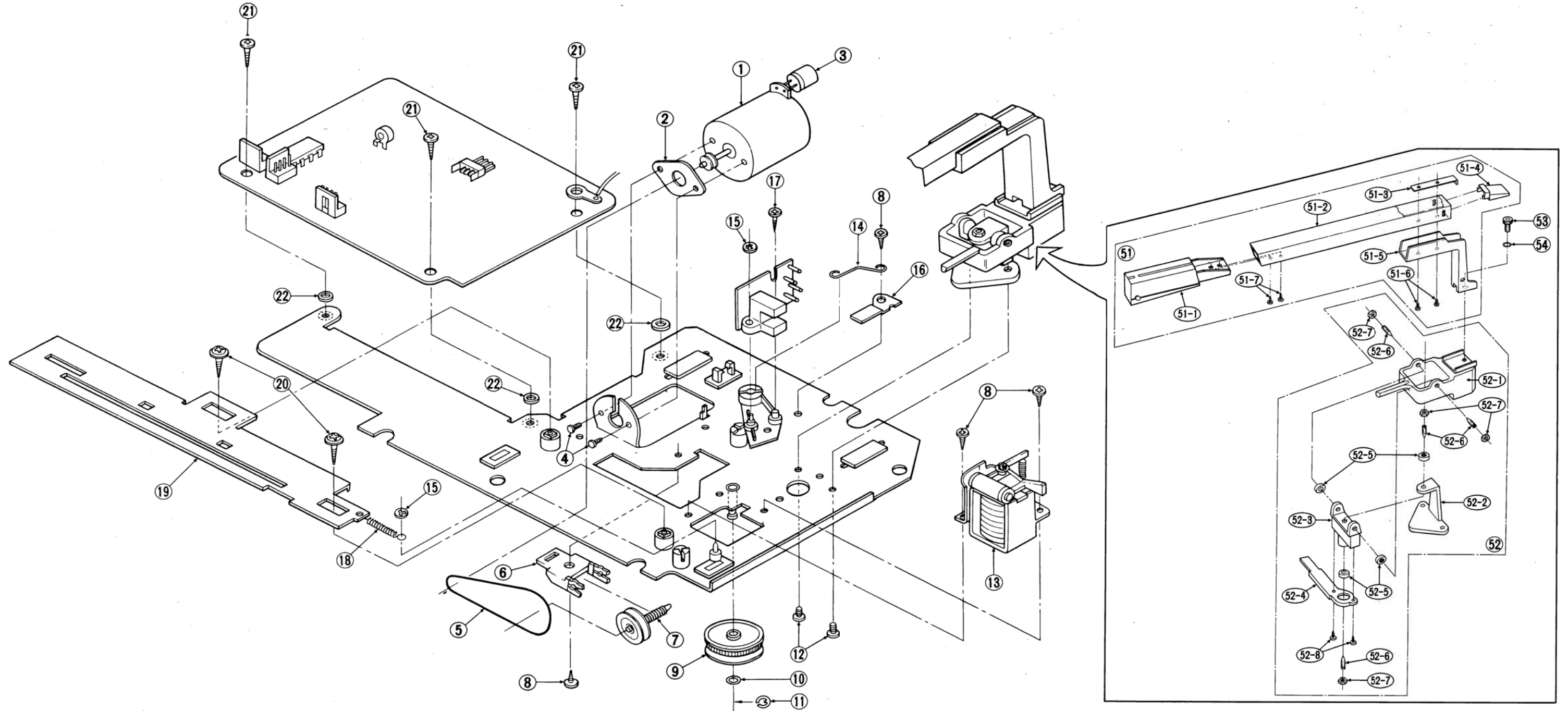
Component Side



Parts List

Parts No.	Stock No.	Description
gSW2	46371600	Push SW., MANUAL ►
gSW3	46371600	Push SW., MANUAL ◄
gSW4	46371600	Push SW., UP/DOWN

5. EXPLODED VIEW OF AUTO MECHANISM & PARTS LIST



Parts List

Parts No.	Stock No.	Description
1	13217500	DC Motor
2	55029810	Rubber Cushion
3	00305600	22 μ F 25V E.B.
4	00436500	M4 x 2 Pan Head Screw
5	13103800	Belt
6	13098110	Shaft Guide (B)
7	13134200	Warm Shaft Ass'y (B)
8	00454400	M3 x 6 Binding Head Tapping Screw
9	13215810	Drive Gear
10	51825300	FT3 Thrust Washer
11	00489000	D2 E. Ring
12	00421900	M3 x 6 Binding Head Screw

Parts No.	Stock No.	Description
13	13216100	Plunger Solenoid Ass'y
14	13229600	Tension Spring
15	51830000	CS-Type Washer
16	13239200	Protector Plate
17	13226100	M2 x 4 Binding Head Tapping Screw
18	13111500	Tension Spring (2)
19	13241700	Position Guide
20	51625100	M3 x 8 Pan Head Tapping Screw
21	00454500	M3 x 8 Binding Head Tapping Screw
22	13226000	M9 Isolation Washer

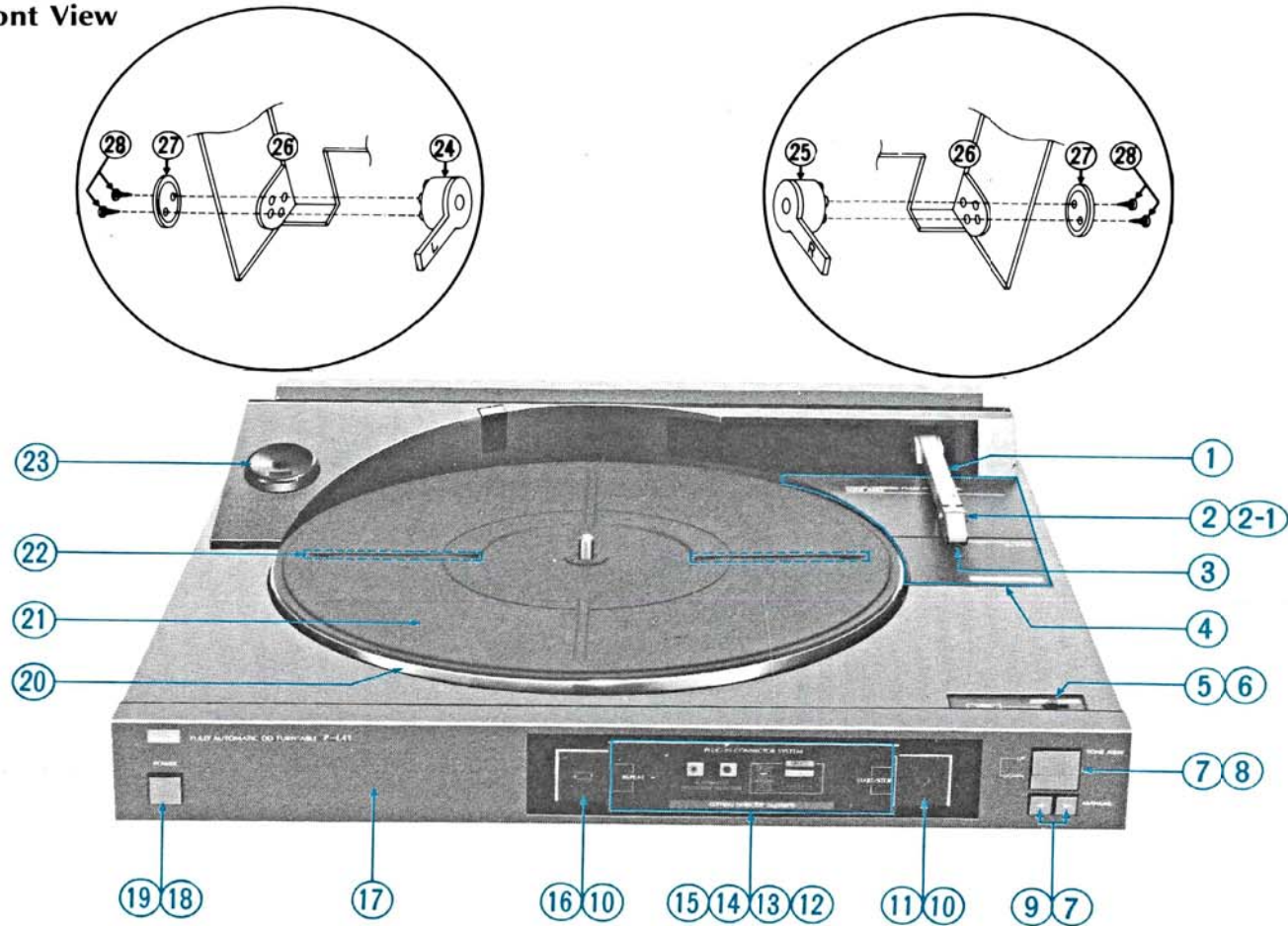
Parts List

Parts No.	Stock No.	Description
51	18084100	Tone Arm Ass'y
51-1	—	Plug Ass'y
51-2	—	Pipe
51-3	—	GND Rag
51-4	—	Pipe Cover
51-5	—	Pipe Holder
51-6	—	M2 x 4 Pan Head Screw
51-7	—	M2 x 4 Pan Head Tapping Screw
52	18075200	Pivot Ass'y
52-1	—	Arm Bracket

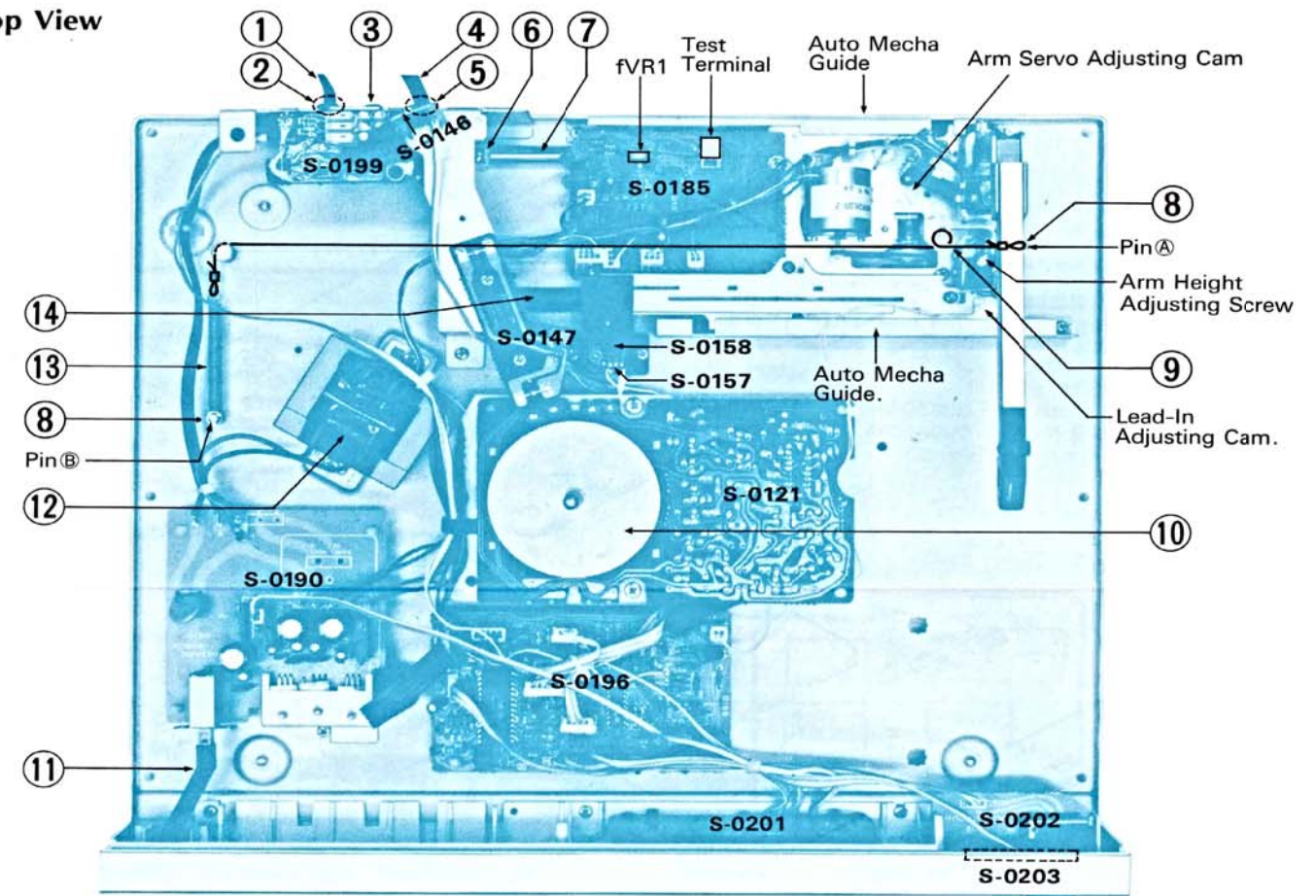
Parts No.	Stock No.	Description
52-2	—	Pivot Stay
52-3	—	Pivot Holder
52-4	—	Servo Plate
52-5	—	Pivot Bearing
52-6	—	Pivot
52-7	—	M3 Hexagon Nut
52-8	—	M2 x 6 Pan Head Tapping Screw
53	00453500	M4 x 8 Hexagon Socket Head Screw
54	00469800	D4 Spring Washer

6. OTHER PARTS

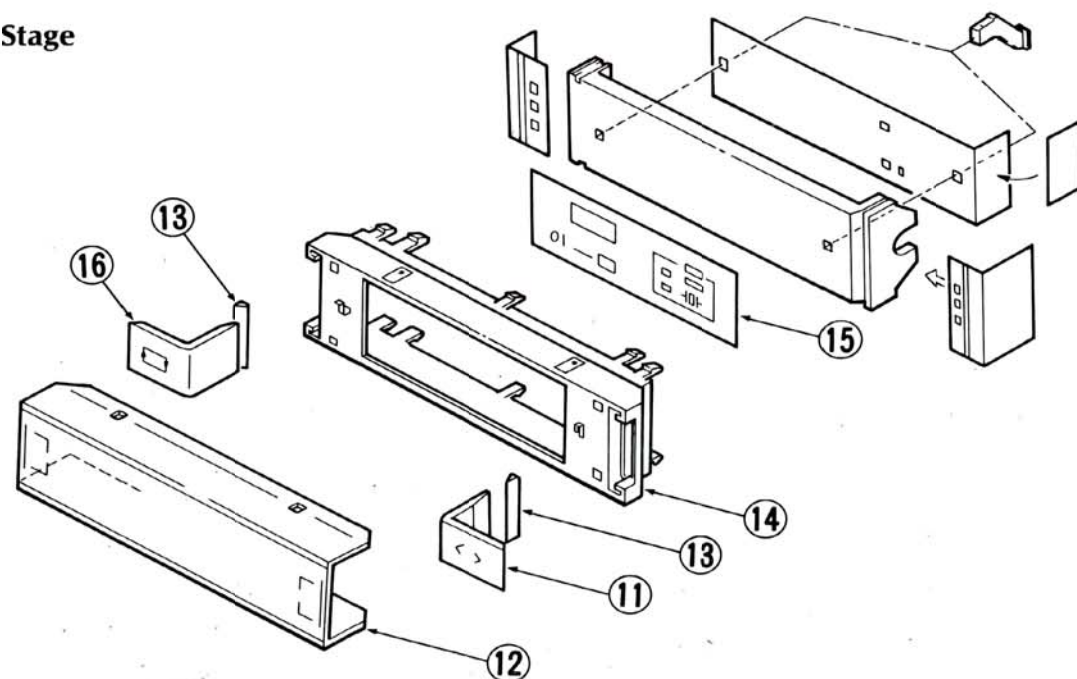
6-1. Front View



6-3. Top View



6-2. Display Stage



Parts List < Front View, Display Stage >

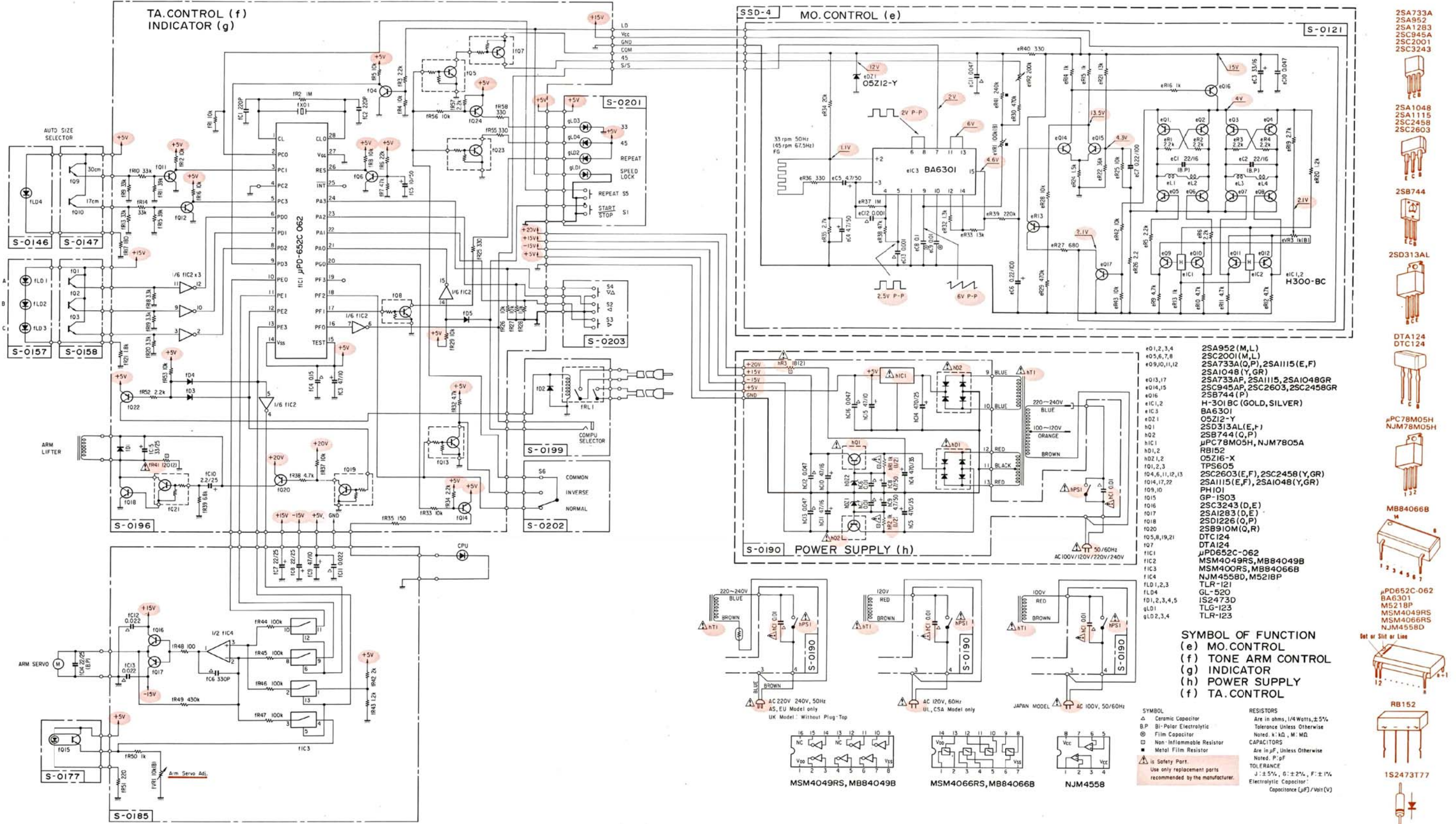
Parts No.	Stock No.	Description
1	18084100	Tone Arm Ass'y
2	13231800	SV-P515 Cartridge Ass'y
2-1	13233500	Cartridge Fixing Screw Ass'y (Including Screw and Nut)
3	13231900	SN-P515 Stylus
4	13255400	Player Case Cover (Silver Model)
5	13255300	Player Case Cover (Black Model)
6	13141600	Slide SW., NORMAL/INVERSE
7	46371600	Slide Knob, NORMAL/INVERSE
8	13139800	Push SW., UP/DOWN, MANUAL
9	13259200	Push Knob, UP/DOWN
10	46395900	Push SW., MANUAL
11	47438600	Push Knob, START/STOP, REPEAT
12	13252900	Push Knob, START/STOP
13	07962610	Display Cover
14	13145810	Rubber Cushion
15	13252800	Display Holder
16	47438500	Display Plate
17	13247200	Push Knob, REPEAT
18	13247300	Front Panel Ass'y (Silver Model)
19	46413900	Front Panel Ass'y (Black Model)
20	07971210	Push SW., POWER
21	07911210	Push Knob, POWER (Silver Model)
22	13143810	Push Knob, POWER (Black Model)
23	13146700	Turntable Platter
24	13146700	Turntable Sheet <XX, CSA, EU, BS, AS>
25	13146800	Turntable Sheet
26	13037900	Prism, dick size detector
27	13012300	EP Adaptor
28	13187200	Side Hinge (L)
	13187300	Side Hinge (R)
	13247600	Dust Cover Ass'y (Silver Model)
	13247700	Dust Cover Ass'y (Black Model)
	13113800	Hinge Cap (Silver Model)
	13187400	Hinge Cap (Black Model)
	13115100	M2.6 x 8 Screw (Silver Model)
	13187500	M2.6 x 8 Screw (Black Model)
	13145100	Insulator

Parts List < Top View >

Parts No.	Stock No.	Description
△ 1	46413200	Power Supply Cord <XX, CSA>
△ 2	38004700	Power Supply Cord
△ 3	38004500	Power Supply Cord <EU>
△ 4	38004300	Power Supply Cord <BS>
△ 5	07204200	Power Supply Cord <AS>
6	39106000	Strain Relief <XX, UL, CSA>
7	39104900	Strain Relief <EU, BS, AS>
8	46148200	Jack, COMPU SELECTOR
9	13222400	PU Output Cord <XX, CSA, EU, BS, AS>
10	13222500	PU Output Cord
11	39104900	Strain Relief
12	13106200	Pipe Holder
13	13106000	Pipe
14	00489200	E-ring 3ø
15	13215810	Drive Wire
16	18032300	DD Motor with Control Circuit Board S-0121
17	47113100	Joint Shaft
18	15008301	Power Transformer <XX>
19	15008312	Power Transformer <UL, CSA>
20	15008315	Power Transformer <EU, BS, AS>
21	13220500	Tension Spring
22	13241600	Angle Rail

7. SCHEMATIC DIAGRAM

*Design and specifications subject to change without notice for improvement.
 *La présentation et les spécifications sont susceptibles d'être modifiées sans préavis par suites d'améliorations éventuelles.
 *Änderungen, die dem technischen Fortschritt dienen, bleiben vorbehalten.



- #01, 2, 3, 4 2SA952 (M,L)
- #05, 6, 7, 8 2SC2001 (M,L)
- #09, 10, 11, 12 2SA733A (Q,P), 2SA1115 (E,F)
- #013, 17 2SA1048 (Y,GR)
- #014, 15 2SA733AP, 2SA1115, 2SA1048GR
- #016 2SC945AP, 2SC2603, 2SC2458GR
- #1C1, 2 2SB744 (P)
- #1C2 H-301 BC (GOLD, SILVER)
- #1C3 BA6301
- #1C4 05Z12-Y
- #1C5 2SD313AL (E,F)
- #1C6 2SB744 (Q,P)
- #1C7 μPC78M05H, NJM7805A
- #1C8 RB152
- #1C9 05Z16-X
- #1C10 TPS605
- #1C11 2SC2603 (E,F), 2SC2458 (Y,GR)
- #1C12 2SA1115 (E,F), 2SA1048 (Y,GR)
- #1C13 PH101
- #1C14 GP-1503
- #1C15 2SC3243 (D,E)
- #1C16 2SA1283 (D,E)
- #1C17 2SD1226 (O,P)
- #1C18 2SB910M (Q,R)
- #1C19 DTC124
- #1C20 DTA124
- #1C21 μPD652C-062
- #1C22 MSM4049RS, M884049B
- #1C23 MSM406RS, M884066B
- #1C24 NJM4558D, M521BP
- #1C25 TLR-121
- #1C26 GL-520
- #1C27 IS2473D
- #1C28 TLG-123
- #1C29 TLR-123

- SYMBOL OF FUNCTION**
- (e) MO. CONTROL
 - (f) TONE ARM CONTROL
 - (g) INDICATOR
 - (h) POWER SUPPLY
 - (f) TA. CONTROL
- RESISTORS**
- Are in ohms, 1/4 Watts, ±5% Tolerance Unless Otherwise Noted. k: kΩ, M: MΩ.
- CAPACITORS**
- Are in μF, Unless Otherwise Noted. P: pF
 - TOLERANCE: ±5%, 0: ±2%, F: ±1%
 - Electrolytic Capacitor Capacitance (μF) / Volt (V)

- 2SA733A
- 2SA952
- 2SA1283
- 2SC945A
- 2SC2001
- 2SC3243
- 2SA1048
- 2SA1115
- 2SC2458
- 2SC2603
- 2SB744
- 2SD313AL
- DTA124
- DTC124
- μPC78M05H
- NJM78M05H
- M884066B
- μPD652C-062
- BA6301
- M521BP
- MSM4049RS
- MSM4066RS
- NJM4558D
- RB152
- 1S2473T77
- 05Z16-X

1
2
3
4
5
10

8. MAIN PARTS REPLACEMENT

(See Top View on page 9 and Exploded View of Mechanism on page 8)

8-1. Replacement of Mechanism Assembly

- 1) Take off turntable sheet and turntable platter.
- 2) Remove the player case cover.
- 3) Loosen 7 screws (5) (See Fig. 3-3 on page 3)
- 4) Move the tone arm and stop the stylus at a position about 10 cm away from the disc center.
- 5) Remove the cabinet upward slowly.
- 6) Remove the auto mecha. guide. (See Top View on page 9)
- 7) Remove the wire from pin (B). (See Top View on page 9)
- 8) Take off the wire from the driving gear (9).

8-2. Replacement of Pivot Ass'y (52)

- 1) Perform the items 1), 2), 3) and 4) "8-1. Replacement of Mechanism Ass'y" first.
- 2) Loosen the hexagon socket head screw (53) to remove the tone arm ass'y (51).
- 3) Perform the items 6), 7) and 8) "8-1. Replacement of Mechanism Ass'y."
- 4) Remove two screws (12) fixing the pivot ass'y under the mechanism chassis.
- 5) Take off the pivot ass'y from the mechanism ass'y.

8-3. Note on Parts Replacement

- 1) When replacing the shaft guide (B) (6), the worm gear ass'y (B) (7) and the driving gear (9), remove under the mechanism chassis.
- 2) When installing the wire, wind round the drive gear and fit the pin (A) as shown in Fig. 8-1.
- 3) Refer to Fig. 8-2, when wiring from cartridge (tone arm ass'y (51)).
- 4) Perform adjustments 3-1, 3-2 and 3-4, when replacing a parts of the mechanism ass'y.

Fig. 8-1

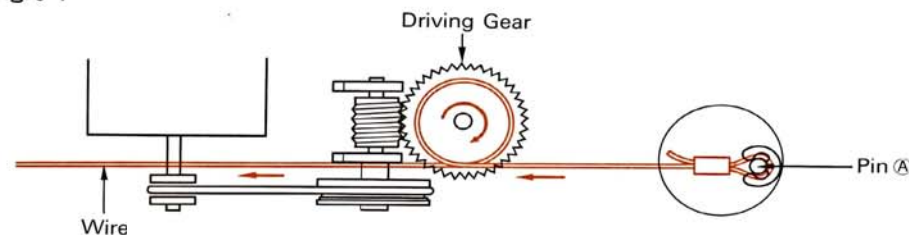
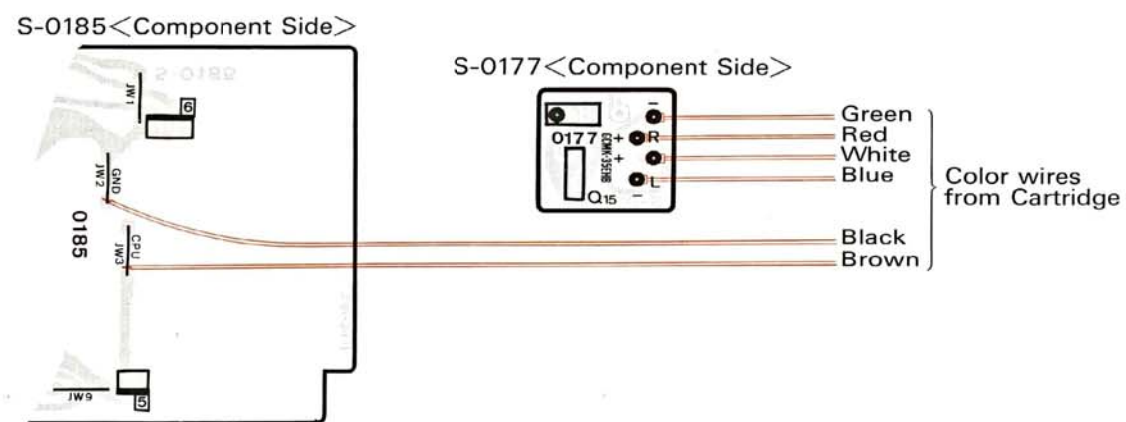


Fig. 8-2

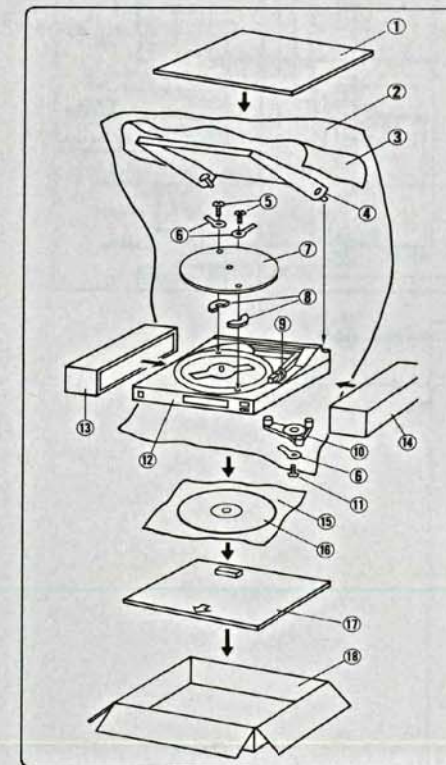


9. PACKING LIST

Parts No.	Stock No.	Description
1	—	Corrugated Board
2	91166000	Vinyl Bag
3	—	Cover
4	13247600	Dust Cover Ass'y (Silver Model)
	13247700	Dust Cover Ass'y (Black Model)
5	13186800	M4 x 25 Tapping Screw
6	51829200	Tag Washer
7	13143810	Turntable Platter
8	13163210	Spacer
9	—	Binder
10	13220610	Protector
11	00449700	M4 x 12 Pan head SEMS Screw
12	—	Unit
13	13174800	Styrofoam Packing (Left)
14	13174900	Styrofoam Packing (Right)
15	91166000	Vinyl Bag
16	13146700	Turntable Sheet
		<XX, CSA, EU, BS, AS>
	13146800	Turntable Sheet
17	—	Corrugated Board
18	13245500	Carton Case <P-L41 (Silver Model)>
	13245600	Carton Case <P-L41 (Black Model)>
	13245700	Carton Case <P-L41M (Silver Model)>
	13245800	Carton Case <P-L41M (Black Model)>

•Note: There are two types of unit in P-L41.

- 1) The unit with a Dust Cover Ass'y.
- 2) The unit without a Dust Cover Ass'y.
("M" mark is indicated on the Carton Case).



10. ACCESSORY LIST

Stock No.	Description
46920600	Operating Instruction
46933100	Operating Sheet
46267300	Mini Plug Cord, COMPU SELECTOR

Sansui

SANSUI ELECTRIC CO., LTD.:
SANSUI ELECTRONICS CORPORATION:
SANSUI ELECTRONICS (U.K.) LTD.:
SANSUI ELECTRONICS G.M.B.H.:

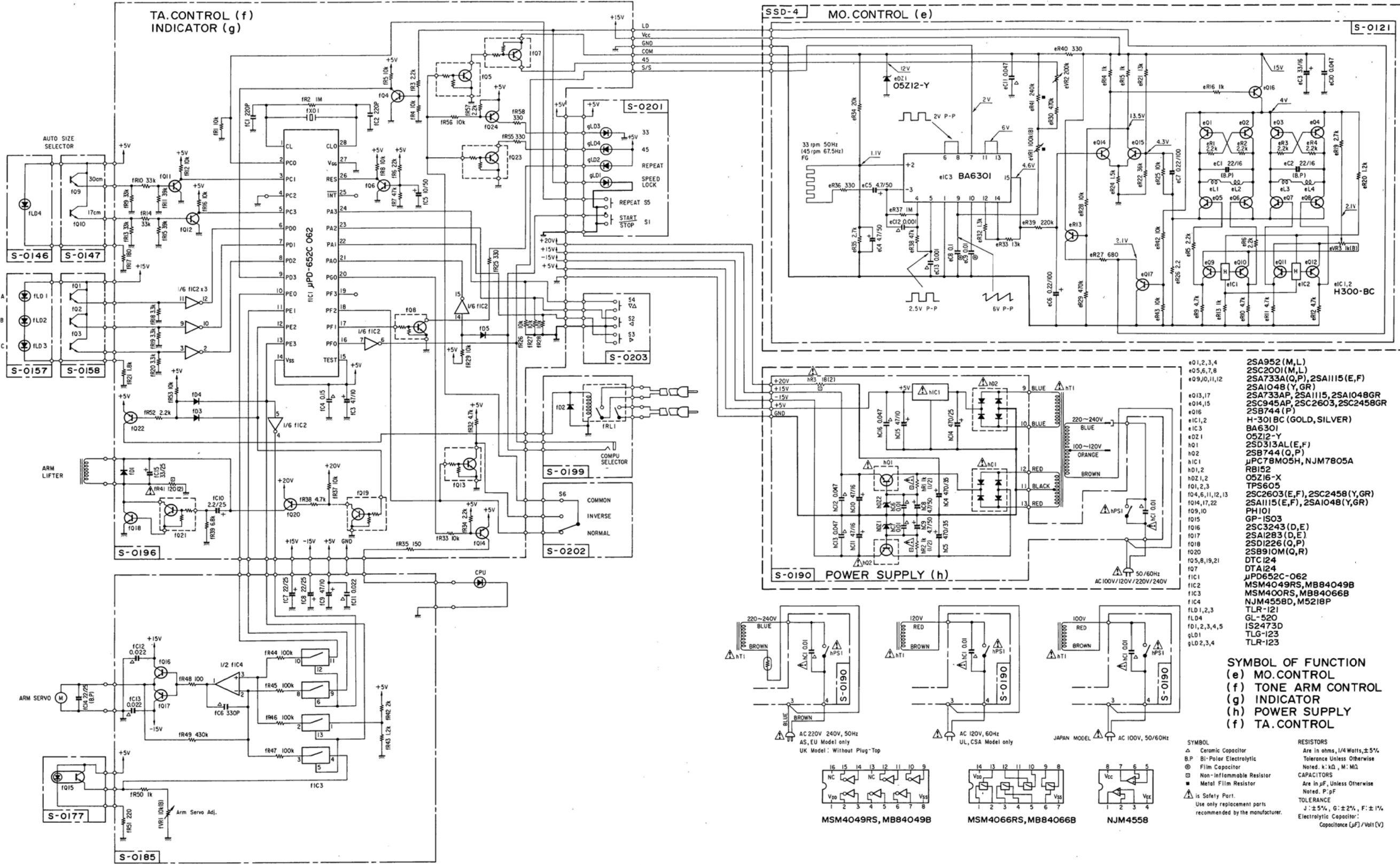
14-1, Izumi 2-chome, Suginami-ku, Tokyo 168 Japan
PHONE: (03) 324-8891/TELEX: 232-2076 (International Division)
1250 Valley Brook Ave. Lyndhurst, N.J. 07071 U.S.A.
17150 South Margay Ave. Carson, California 90746 U.S.A.
3036 Koapaka Street, Honolulu, Hawaii 96819 U.S.A.
Unit 10A, Lyon Industrial Estate, Rockware Avenue, Geonford, Midx UB6, OAA, England
Pau Ehrich Strasse 8, 6074 Rödermark 2, West Germany

(SM1-131)

Printed in Japan (145420M) <Stock No. 36489000>

7. SCHEMATIC DIAGRAM

*Design and specifications subject to change without notice for improvement.
 *La présentation et les spécifications sont susceptibles d'être modifiées sans préavis par suites d'améliorations éventuelles.
 *Änderungen, die dem technischen Fortschritt dienen, bleiben vorbehalten.



- e01,2,3,4 2SA952 (M,L)
- e05,6,7,8 2SC2001 (M,L)
- e09,10,11,12 2SA733A (Q,P), 2SA1115 (E,F)
- e013,17 2SA1048 (Y,GR)
- e014,15 2SA733AP, 2SA1115, 2SA1048GR
- e016 2SC945AP, 2SC2603, 2SC2458R
- eIC1,2 2SB744 (F)
- eIC3 H-301BC (GOLD, SILVER)
- eIC4 BA6301
- eIC5 05Z12-Y
- eIC6 2SD313AL (E,F)
- eIC7 2SB744 (O,P)
- eIC8 JPC78M05H, NJM7805A
- eIC9 RB152
- eIC10 05Z16-X
- eIC11 TPS605
- eIC12 2SC2603 (E,F), 2SC2458 (Y,GR)
- eIC13 2SA1115 (E,F), 2SA1048 (Y,GR)
- eIC14 PH101
- eIC15 GP-1S03
- eIC16 2SC3243 (D,E)
- eIC17 2SA1283 (D,E)
- eIC18 2SD1226 (Q,P)
- eIC19 2SB910M (Q,R)
- eIC20 DTC124
- eIC21 DTA124
- eIC22 JPD652C-062
- eIC23 MSM4049RS, MBB4049B
- eIC24 MSM400RS, MBB4066B
- eIC25 NJM4558D, M5218P
- eLD1,2,3 TLR-121
- eLD4 GL-520
- eLD5,6,7,8,9 IS2473D
- eLD10 TLG-123
- eLD11,12 TLR-123

SYMBOL OF FUNCTION
 (e) MO CONTROL
 (f) TONE ARM CONTROL
 (g) INDICATOR
 (h) POWER SUPPLY
 (f) TA CONTROL

RESISTORS
 Are in ohms, 1/4 Watts, ±5%
 Tolerance Unless Otherwise
 Noted: K: 10³, M: 10⁶
CAPACITORS
 Are in µF, Unless Otherwise
 Noted. P: pF
TOLERANCE
 J: ±5%, G: ±2%, F: ±1%
 Electrolytic Capacitor:
 Capacitance (µF) / Volt (V)

1
2
3
4
5