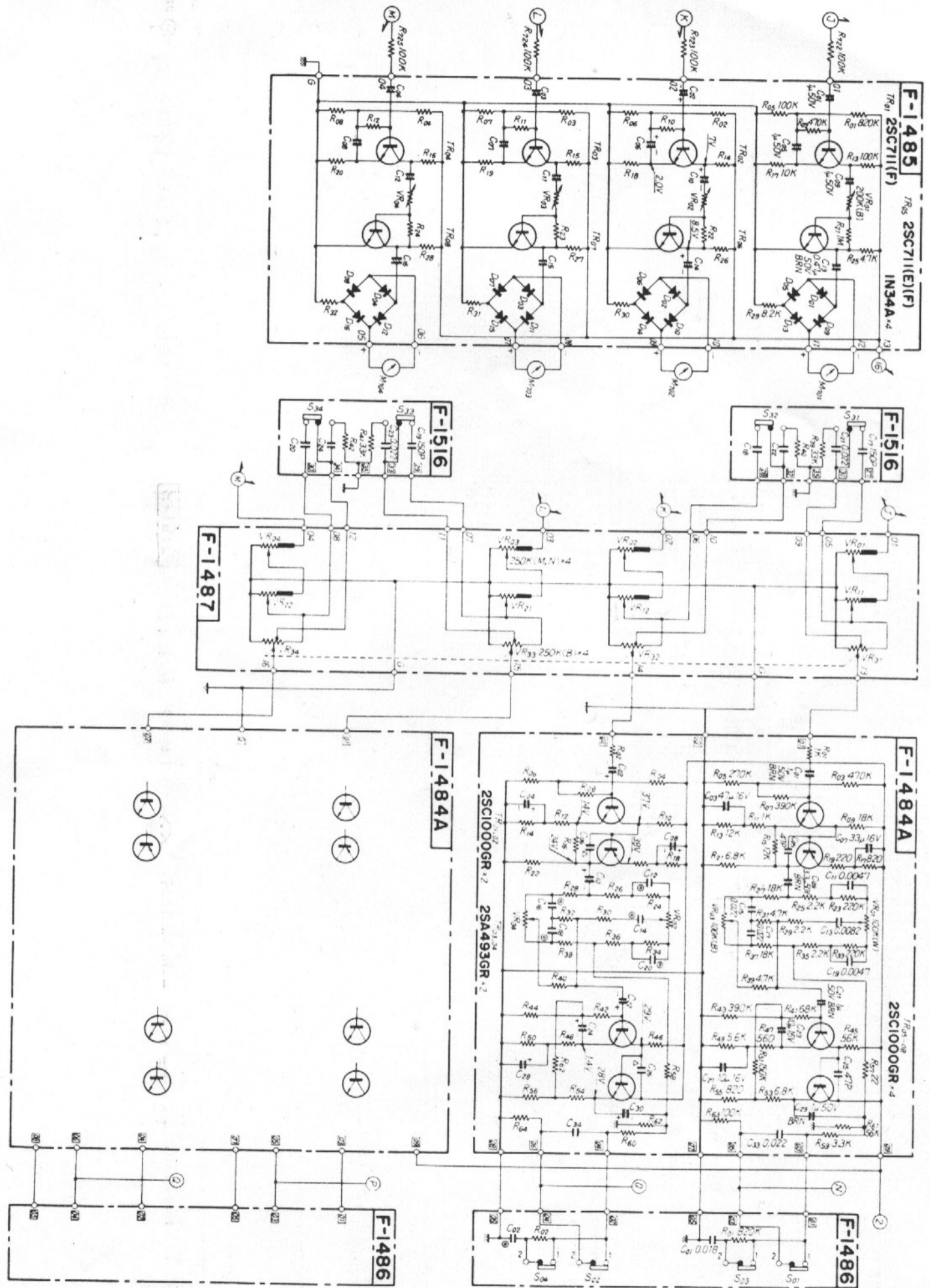
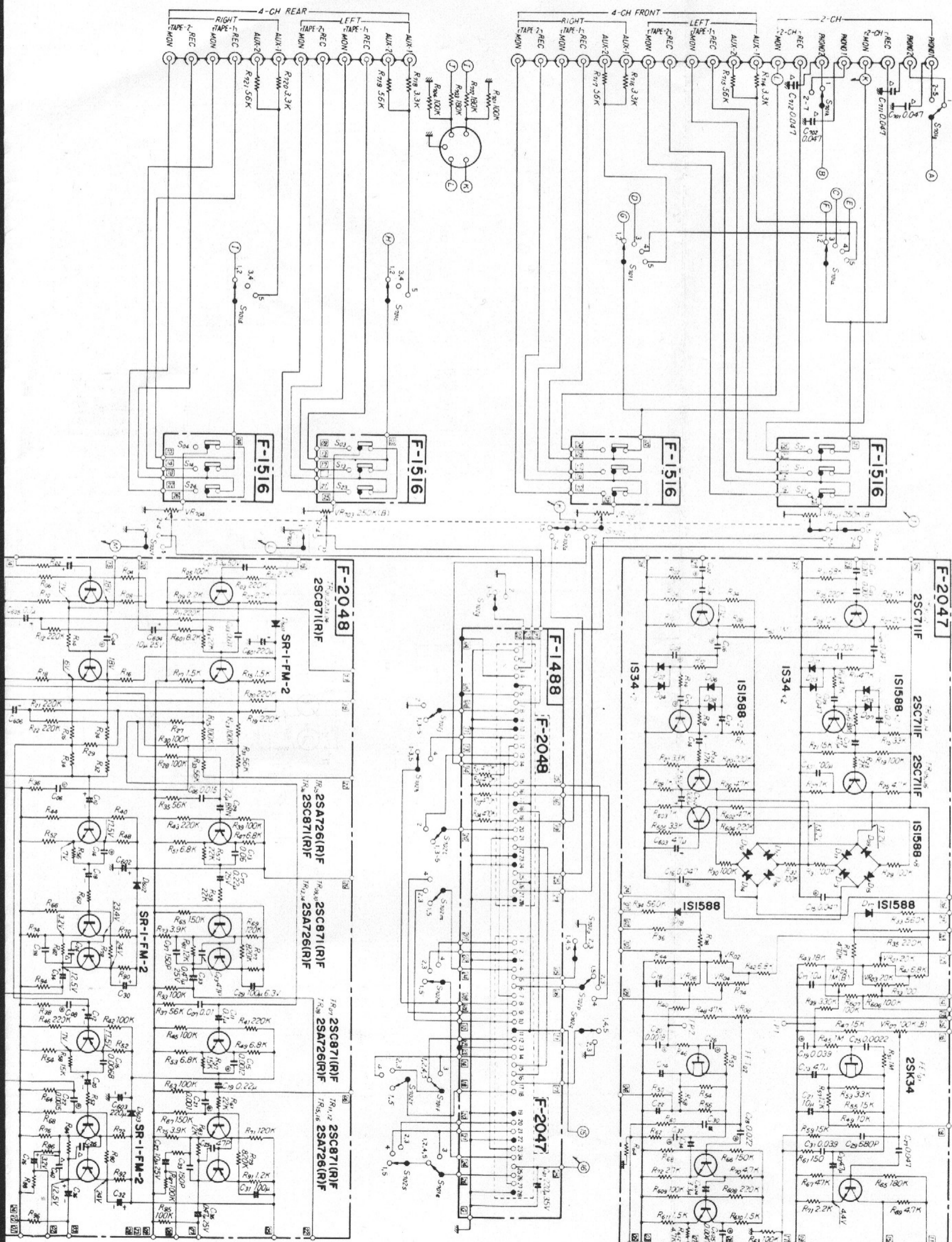


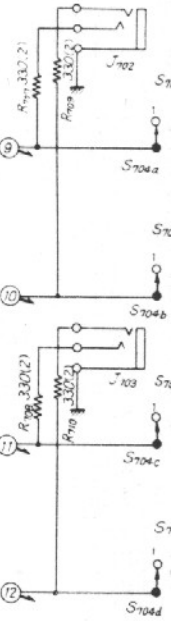
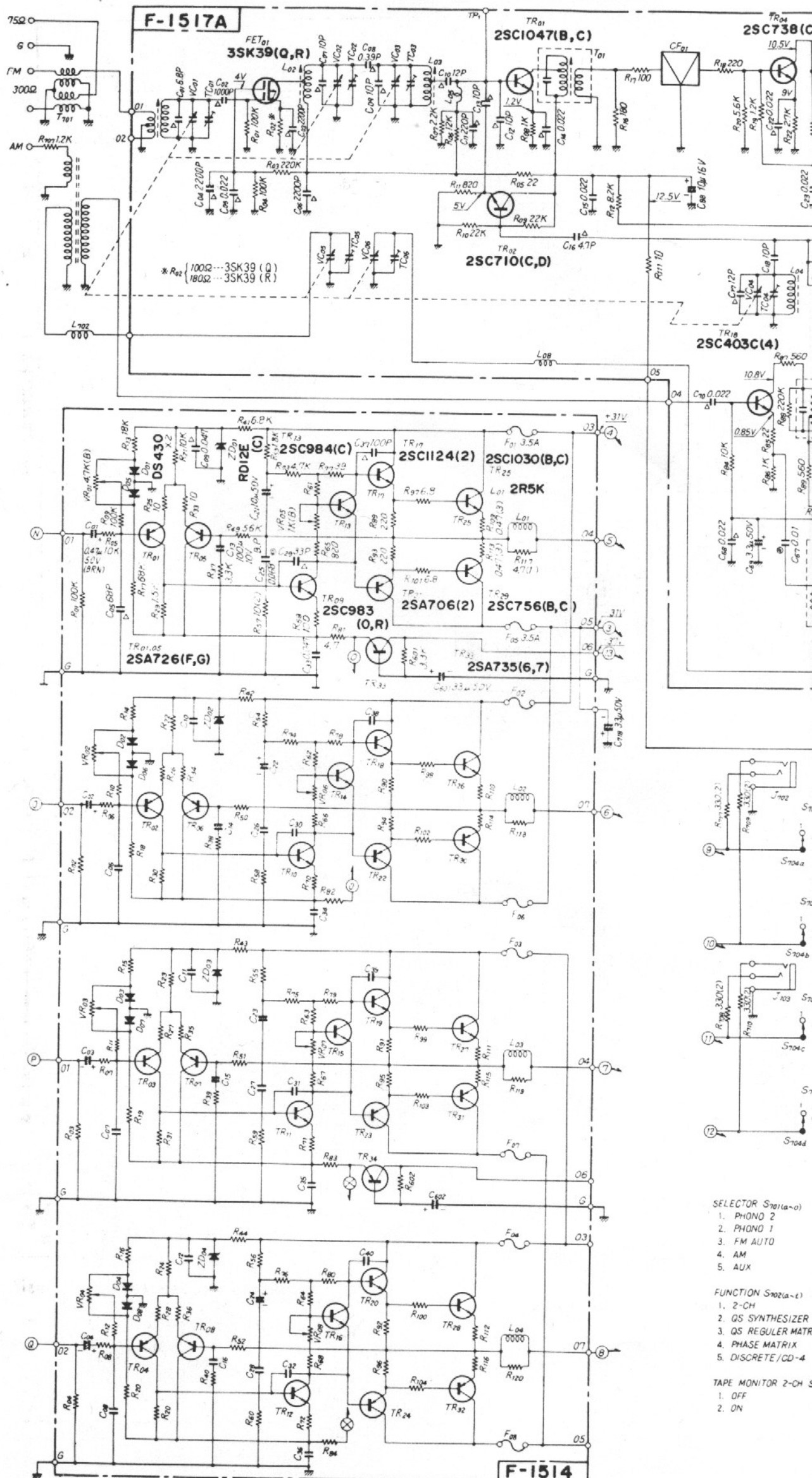
# 10. SCHEMATIC DIAGRAM OF AUDIO SECTION



\* Design and specifications subject to change without notice for improvements.



# 9. SCHEMATIC DIAGRAM OF TUNER SECTION



- SELECTOR S<sub>701(a-0)</sub>
1. PHONO 2
  2. PHONO 1
  3. FM AUTO
  4. AM
  5. AUX
- FUNCTION S<sub>702(a-1)</sub>
1. 2-CH
  2. QS SYNTHESIZER
  3. QS REGULER MATR
  4. PHASE MATRIX
  5. DISCRETE/CD-4
- TAPE MONITOR 2-CH S
1. OFF
  2. ON

\* Design and specifications subject to change without notice for improvements.

