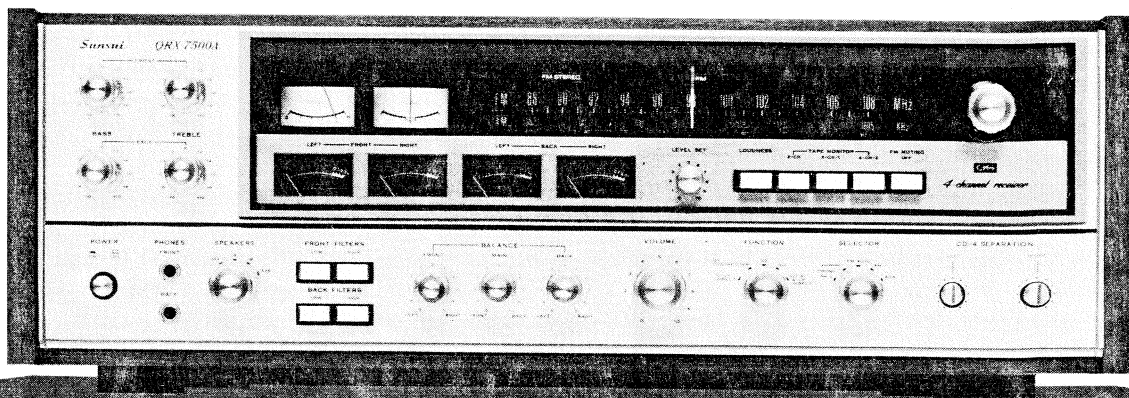


# SERVICE MANUAL

4-CHANNEL RECEIVER

**SANSUI QRX-5500A**  
**QRX-7500A**



SANSUI ELECTRIC CO., LTD.

This service manual is designed for service engineers to repair, adjust, maintain and order the replacement parts of the QRX-5500A, QRX-7500A correctly.

When ordering the parts, use the stock number and parts name specifically referring to the Parts Location and Parts Lists.

For general usage and maintenance of the unit, please refer to the Operating Instructions attached with the unit.

## TABLE OF CONTENTS

<u>Section</u>	<u>Title</u>	<u>Page</u>	<u>Section</u>	<u>Title</u>	<u>Page</u>
<b>1. SPECIFICATION</b>		<b>3</b>	4-11.	F-2048 Vario-Matrix Circuit Board	<b>23, 24</b>
1-1.	QRX-5500A	<b>3</b>	4-12.	F-1489 Mixing & Accessory Circuit Board	<b>24</b>
1-2.	QRX-7500A	<b>4</b>	4-13.	F-1514 Driver Circuit Board	<b>25</b>
<b>2. BLOCK DIAGRAM</b>		<b>5</b>	4-14.	F-1482 Driver Circuit Board	<b>26</b>
2-1.	QRX-5500A	<b>5, 6</b>	4-15.	F-2589 Equalizer & CD-4 Circuit Board	<b>27</b>
2-2.	QRX-7500A	<b>7, 8</b>	4-16.	F-1472 Equalizer Circuit Board	<b>28</b>
<b>3. ALIGNMENTS AND ADJUSTMENTS</b>		<b>9</b>	4-17.	F-1486 Filter Circuit Board	<b>29</b>
3-1.	Regulated Power Supply Board Adjustment	<b>9</b>	4-18.	F-1490 De-emphasis Circuit Board	<b>29</b>
3-2.	Level Meter Adjustment	<b>9</b>	4-19.	Figures	<b>29</b>
3-3.	Driver Circuit Board Adjustment	<b>10</b>	<b>5. THREADING OF DIAL CORD</b>		<b>30</b>
3-4.	FM IF Alignment	<b>11</b>	<b>6. OTHER PARTS</b>		<b>31</b>
3-5.	FM Dial Calibration and RF Alignment	<b>11, 12</b>	6-1.	Other Parts (Top Side)/QRX-5500A	<b>31</b>
3-6.	FM Signal Meter, Mono Distortion, Tune Meter and Muting Adjustment	<b>12</b>	6-2.	Other Parts (Bottom Side)/QRX-5500A	<b>32</b>
3-7.	MPX Alignment	<b>13</b>	6-3.	Other Parts (Front Side)/QRX-5500A	<b>33, 34</b>
3-8.	AM IF, Dial Calibration, RF and Signal Meter Alignment	<b>13, 14</b>	6-4.	Other Parts (Front Side)/QRX-7500A	<b>35, 36</b>
<b>4. PARTS LOCATIONS AND PARTS LIST</b>		<b>15</b>	6-5.	Other Parts (Top Side)/QRX-7500A	<b>36</b>
4-1.	F-1517 Tuner Circuit Board	<b>15, 16</b>	6-6.	Other Parts (Bottom Side)/QRX-7500A	<b>37</b>
4-2.	F-1515 Protector & Power Circuit Board	<b>17, 18</b>	<b>7. PACKING LIST</b>		<b>37</b>
4-3.	F-1488 Connector Joint Circuit Board	<b>18</b>	7-1.	QRX-5500A	<b>37</b>
4-4.	F-1470 Illumination Unit Circuit Board	<b>18</b>	7-2.	QRX-7500A	<b>37</b>
4-5.	F-1485 Meter Circuit Board	<b>19</b>	<b>8. ACCESSORY PARTS LIST</b>		<b>37</b>
4-6.	F-1483 Protector & Power Circuit Board	<b>20</b>	8-1.	QRX-5500A	<b>37</b>
4-7.	F-1516 Accessory Circuit Board	<b>20</b>	8-2.	QRX-7500A	<b>37</b>
4-8.	F-1487 Volume Circuit Board	<b>20</b>	<b>9. SCHEMATIC DIAGRAM</b>		<b>38</b>
4-9.	F-1484 Tone Control Circuit Board	<b>21</b>	9-1.	QRX-5500A (TUNER SECTION)	<b>38</b>
4-10.	F-2084 QS Vario-Matrix Circuit Board	<b>21, 22</b>	9-2.	QRX-5500A (AUDIO SECTION)	<b>39</b>
			9-3.	QRX-7500A (TUNER SECTION)	<b>40</b>
			9-4.	QRX-7500A (AUDIO SECTION)	<b>41</b>
			9-5.	QRX-7500A EQUALIZER & CD-4 SECTION	<b>42</b>

# 1. SPECIFICATIONS

## 1-1. QRX-5500A

### AUDIO SECTION

#### POWER OUTPUT

Min. RMS, all channels driven, from 20 to 20,000Hz, with no more than 0.5% total harmonic distortion  
27 watts per channel into 8 ohms

LOAD IMPEDANCE ..... 8 ohms

POWER BANDWIDTH ..... 20 to 20,000Hz at or rated min. RMS power output and total harmonic distortion

#### TOTAL HARMONIC DISTORTION

OVERALL (from AUX) .... less than 0.5% at or rated min. RMS power output

#### INTERMODURATION DISTORTION

(70Hz: 7,000Hz=4:1 SMPTE method)

OVERALL (from AUX) .... less than 0.5% at rated min. RMS power output

DAMPING FACTOR ..... 40 (8Ω)

#### INPUT SENSITIVITY AND IMPEDANCE

(1,000Hz, for rated power output)

2-CHANNEL PHONO-1, 2... 2.5mV 50kΩ  
(Max. input capability; 250mV at 0.5% distortion)

#### 2-CHANNEL TAPE

PLAY Pin Jacks ..... 100mV 50kΩ

REC/PLAY DIN Socket .. 100mV 50kΩ

4-CHANNEL AUX ..... 100mV 50kΩ

#### 4-CHANNEL TAPE-1, 2

PLAY Pin Jacks ..... 100mV 50kΩ

MIC (monophonic) ..... 2.5mV 10kΩ

#### RECORDING OUTPUT

#### 2-CHANNEL TAPE

REC Pin Jacks ..... 100mV

REC/PLAY DIN Socket .. 30mV

#### 4-CHANNEL TAPE-1, 2

REC Pin Jacks ..... 100mV

#### FREQUENCY RESPONSE (at 1 Watt output)

OVERALL (from 4-CHANNEL AUX)  
..... 30 to 30,000Hz  $\pm 1.0$ / $\pm 1.5$ dB

#### EQUALIZATION (RIAA curve)

..... 30 to 15,000Hz  $\pm 1.0$ dB

#### CROSSTALK (FUNCTION control: 2-CH, 1,000Hz)

..... better than 50dB

#### HUM AND NOISE (IHF)

2-CHANNEL PHONO..... better than 70dB

4-CHANNEL AUX ..... better than 80dB

#### SWITCHES AND CONTROLS

BASS ..... +12dB, -12dB at 50Hz

TREBLE ..... +12dB, -12dB at 15,000Hz

LOUDNESS ..... +8dB at 50Hz

+3dB at 10,000Hz

LOW FILTER ..... -10dB at 50Hz (6dB/oct.)

HIGH FILTER ..... -10dB at 10,000Hz

(6dB/oct.)

SYNTHESIZER/DECODER .... QS regular matrix system with QS vario-matrix circuit.

### TUNER SECTION

#### <FM>

TUNING RANGE ..... 88 to 108MHz

SENSITIVITY (IHF) ..... 1.9μV  
(DIN)..... 1.1μV

(Max. input capability: 120dB)

SIGNAL TO NOISE RATIO (mono)  
..... better than 65dB

CAPTURE RATIO (IHF) ..... less than 2.0dB

IMAGE REJECTION ..... better than 75dB

IF REJECTION ..... better than 90dB

#### SPURIOUS RESPONSE REJECTION

..... better than 80dB

SELECTIVITY ..... better than 60dB

#### TOTAL HARMONIC DISTORTION

Mono ..... less than 0.3%

Stereo ..... less than 0.5%

STEREO SEPARATION ..... better than 37dB

FREQUENCY RESPONSE .... 30 to 15,000Hz  $\pm 1.0$ / $\pm 3.0$ dB

ANTENNA IMPEDANCE .... 300Ω balanced, 75Ω unbalanced

#### <AM>

TUNING RANGE ..... 535 to 1,605kHz

SENSITIVITY (bar antenna) . 50dB/m

IMAGE REJECTION ..... better than 80dB

IF REJECTION ..... better than 80dB

SELECTIVITY ..... 25dB

### OTHERS

#### POWER REQUIREMENTS

Voltage..... 100, 120, 220, 240V 50/60Hz

Consumption ..... 140W (rated), 400VA (max.)

DIMENSIONS ..... 594mm (23 $\frac{3}{8}$ " ) W

203mm (8" ) H

370mm (14 $\frac{9}{16}$ " ) D

WEIGHT ..... 21.6 kg (47.5 lbs) Net

24.8 kg (54.6 lbs) Packed

\* Design and specifications subject to change without notice for improvements.

## 1-2. QRX-7500A

### AUDIO SECTION

#### POWER OUTPUT

Min. RMS, all channels driven, from 20 to 20,000Hz, with no more than 0.3% total harmonic distortion.

30 watts per channel into 8 ohms

Min. RMS, all channels driven, at 1kHz, with no more than 0.3% total harmonic distortion  
35 watts per channel into 8 ohms

LOAD IMPEDANCE ..... 8 ohms

POWER BANDWIDTH ..... 20 to 20,000Hz at or rated min. RMS power output and total harmonic distortion

#### TOTAL HARMONIC DISTORTION

OVERALL (from AUX) .... less than 0.3% at or rated min. RMS power output

#### INTERMODURATION DISTORTION

(70Hz: 7,000Hz=4:1 SMPTE method)

OVERALL (from AUX) .... less than 0.3% at rated min. RMS power output

DAMPING FACTOR ..... 40 (8 $\Omega$ )

#### INPUT SENSITIVITY AND IMPEDANCE

(1,000Hz, for rated power output)

2-CHANNEL PHONO-1, 2  
..... 2.5mV 50k $\Omega$

(Max. input capability; 150mV at 0.5% distortion)

#### 2-CHANNEL TAPE

PLAY Pin Jacks ..... 100mV 50k $\Omega$

REC/PLAY DIN Socket .. 100mV 50k $\Omega$

4-CHANNEL AUX-LOW .. 100mV 50k $\Omega$

AUX-HIGH .. 200mV 100k $\Omega$

#### 4-CHANNEL TAPE-1, 2

PLAY Pin Jacks ..... 100mV 50k $\Omega$

#### RECORDING OUTPUT

##### 2-CHANNEL TAPE

REC Pin Jacks ..... 100mV

REC/PLAY DIN Socket .. 30mV

##### 4-CHANNEL TAPE-1, 2

REC Pin Jacks ..... 100mV

#### FREQUENCY RESPONSE (at 1 Watt output)

OVERALL (from 4-CHANNEL AUX)  
..... 30 to 30,000Hz  $\pm 1.0$ dB  
 $-1.5$ dB

#### EQUALIZATION (RIAA curve)

..... 30 to 15,000Hz  $\pm 1.0$ dB

#### CROSSTALK (FUNCTION control: 2-CH, 1,000Hz)

..... better than 50dB

#### HUM AND NOISE (IHF)

2-CHANNEL PHONO..... better than 70dB

4-CHANNEL AUX ..... better than 80dB

#### SWITCHES AND CONTROLS

BASS ..... +12dB, -12dB at 50Hz

TREBLE ..... +12dB, -12dB at 15,000Hz

LOUDNESS ..... +8dB at 50Hz,  
+3dB at 10,000Hz

LOW FILTER ..... -10dB at 50Hz (6dB/oct.)

HIGH FILTER ..... -10dB at 10,000Hz  
(6dB/oct.)

SYNTHESIZER/DECODER .... QS regular matrix system with QS vario-matrix circuit.

#### CD-4 DEMODULATOR

Input Sensitivity..... 2.5mV (1 to 10mV adjustable)

Input Impedance ..... 50k $\Omega$

Frequency Response (STD test signal)

Main-Channel..... 30 to 15,000Hz  $\pm 0.5$ dB  
 $-3.0$ dB

Sub-Channel ..... 30 to 10,000Hz  $\pm 1.0$ dB  
 $-5.0$ dB

#### TUNER SECTION

##### <FM>

TUNING RANGE..... 88 to 108MHz

SENSITIVITY (IHF) ..... 1.9 $\mu$ V

(DIN)..... 1.1 $\mu$ V

(Max. input capability: 120dB)

SIGNAL TO NOISE RATIO (mono)

..... better than 65dB

CAPTURE RATIO (IHF)..... less than 2.0dB

IMAGE REJECTION ..... better than 75dB

IF REJECTION ..... better than 90dB

SPURIOUS RESPONSE REJECTION

..... better than 80dB

SELECTIVITY ..... better than 60dB

TOTAL HARMONIC DISTORTION

Mono ..... less than 0.3%

Stereo ..... less than 0.5%

STEREO SEPARATION ..... better than 37dB

FREQUENCY RESPONSE ... 30 to 15,000Hz  $\pm 1.0$ dB  
 $-3.0$ dB

ANTENNA IMPEDANCE ... 300 $\Omega$  balanced,  
75 $\Omega$  unbalanced

##### <AM>

TUNING RANGE ..... 535 to 1,605kHz

SENSITIVITY (bar antenna) .. 50dB/m

IMAGE REJECTION ..... better than 80dB

IF REJECTION ..... better than 80dB

SELECTIVITY ..... 25dB

#### OTHERS

##### POWER REQUIREMENTS

Voltage..... 100, 120, 220, 240V 50/60Hz

Consumption ..... 140W (rated), 400VA (max.)

DIMENSIONS ..... 594mm (23 $\frac{3}{8}$ " ) W

203mm (8" ) H

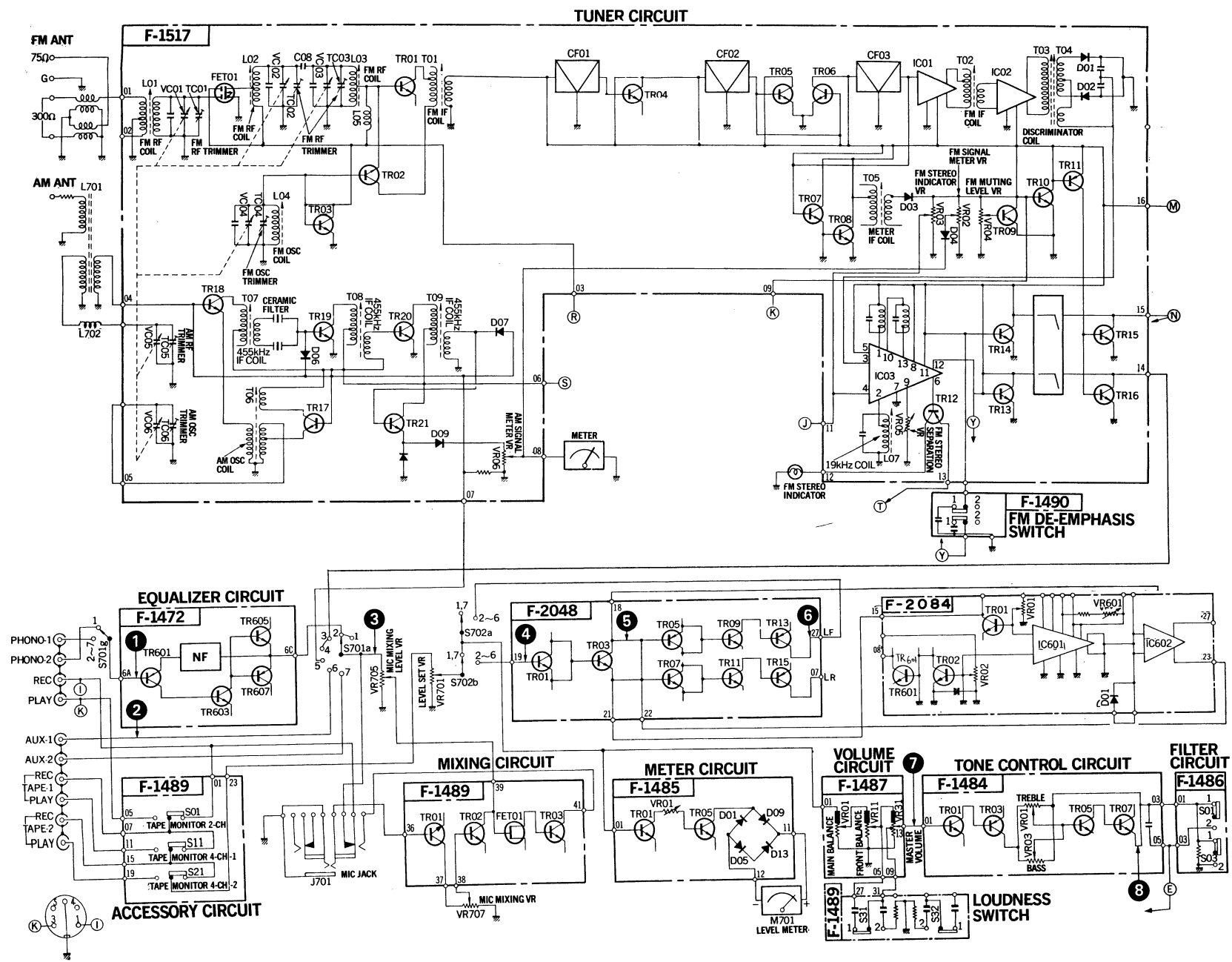
370mm (14 $\frac{9}{16}$ " ) D

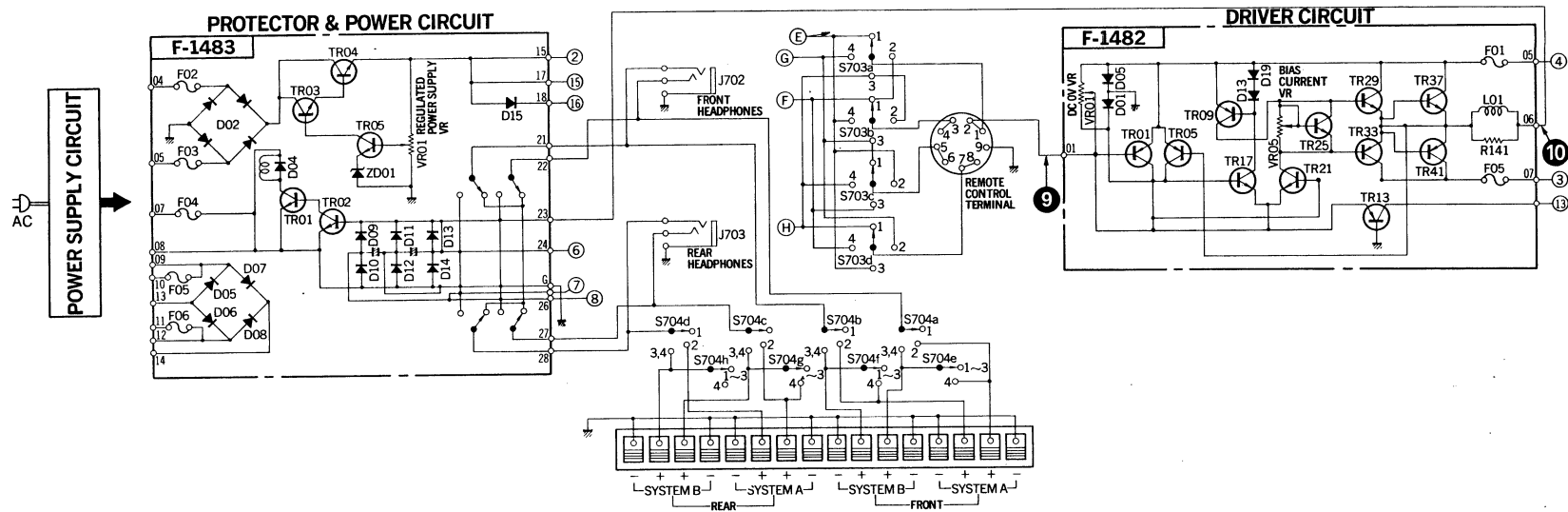
WEIGHT ..... 22.4 kg (48.0 lbs.)

25.0 kg (55.0 lbs.)

\* Design and specifications subject to change without notice for improvements.

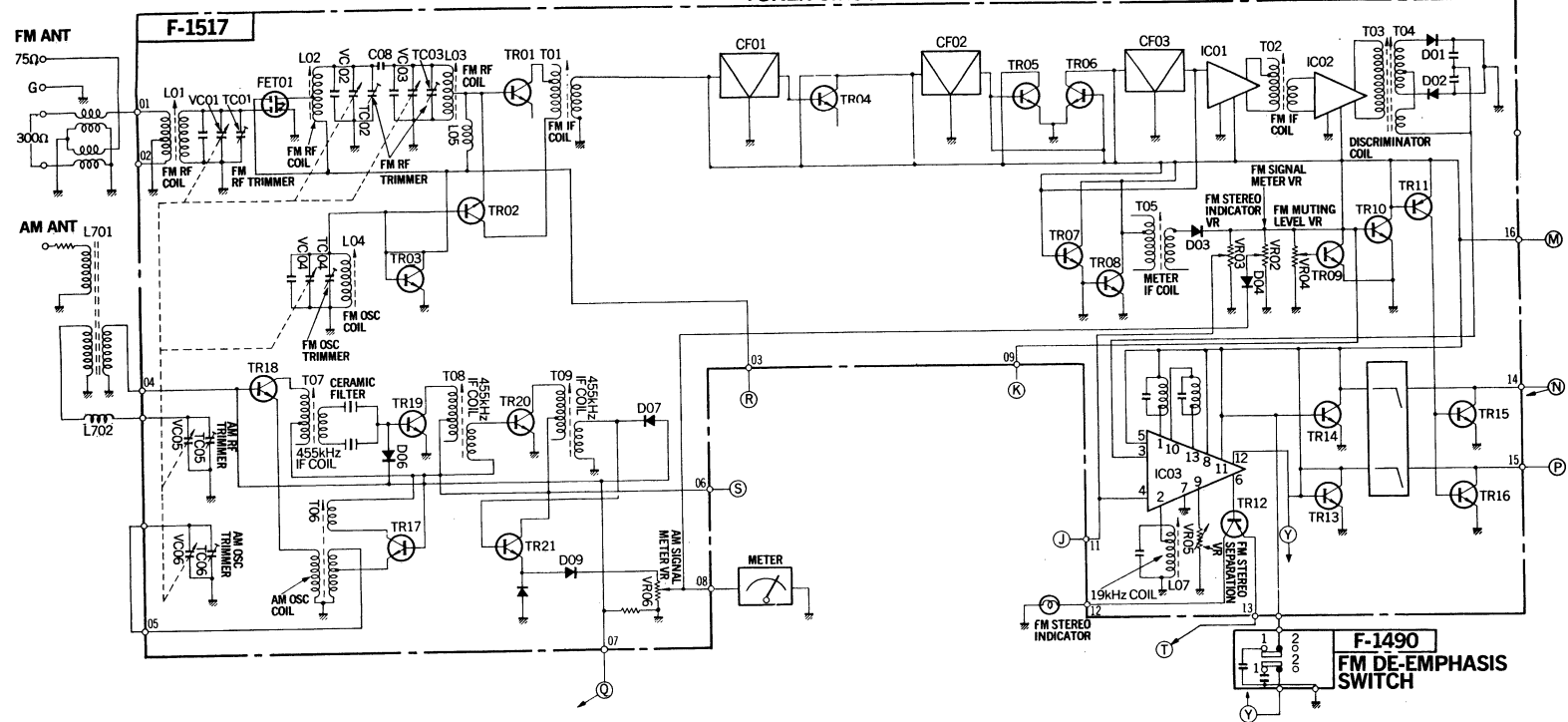
2. BLOCK DIAGRAM / 2-1. QRX-5500A



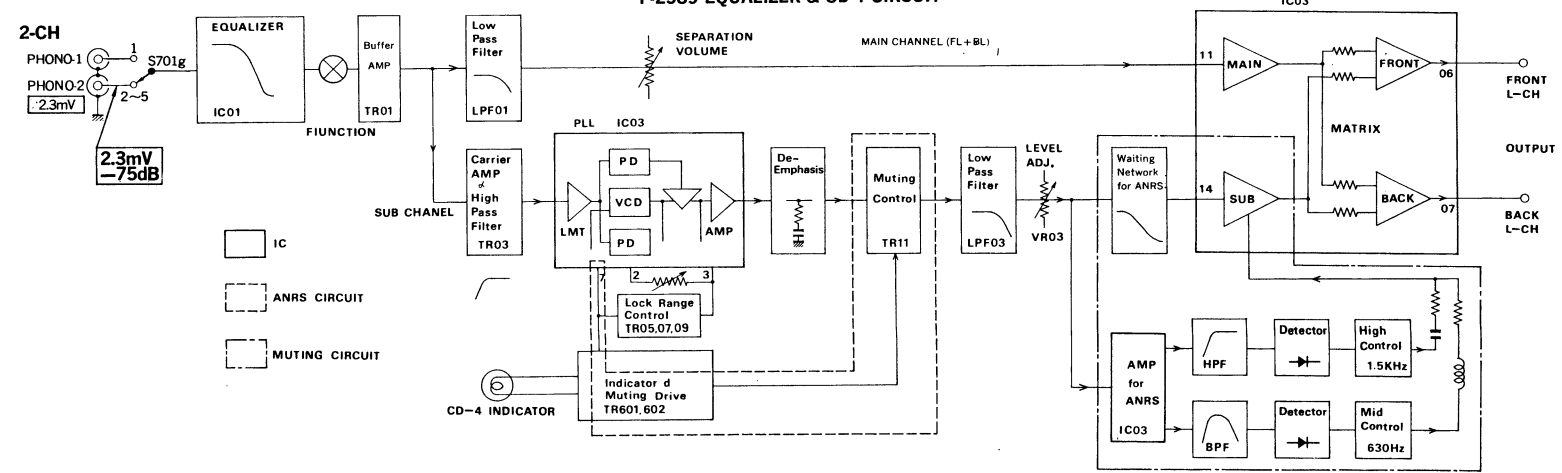


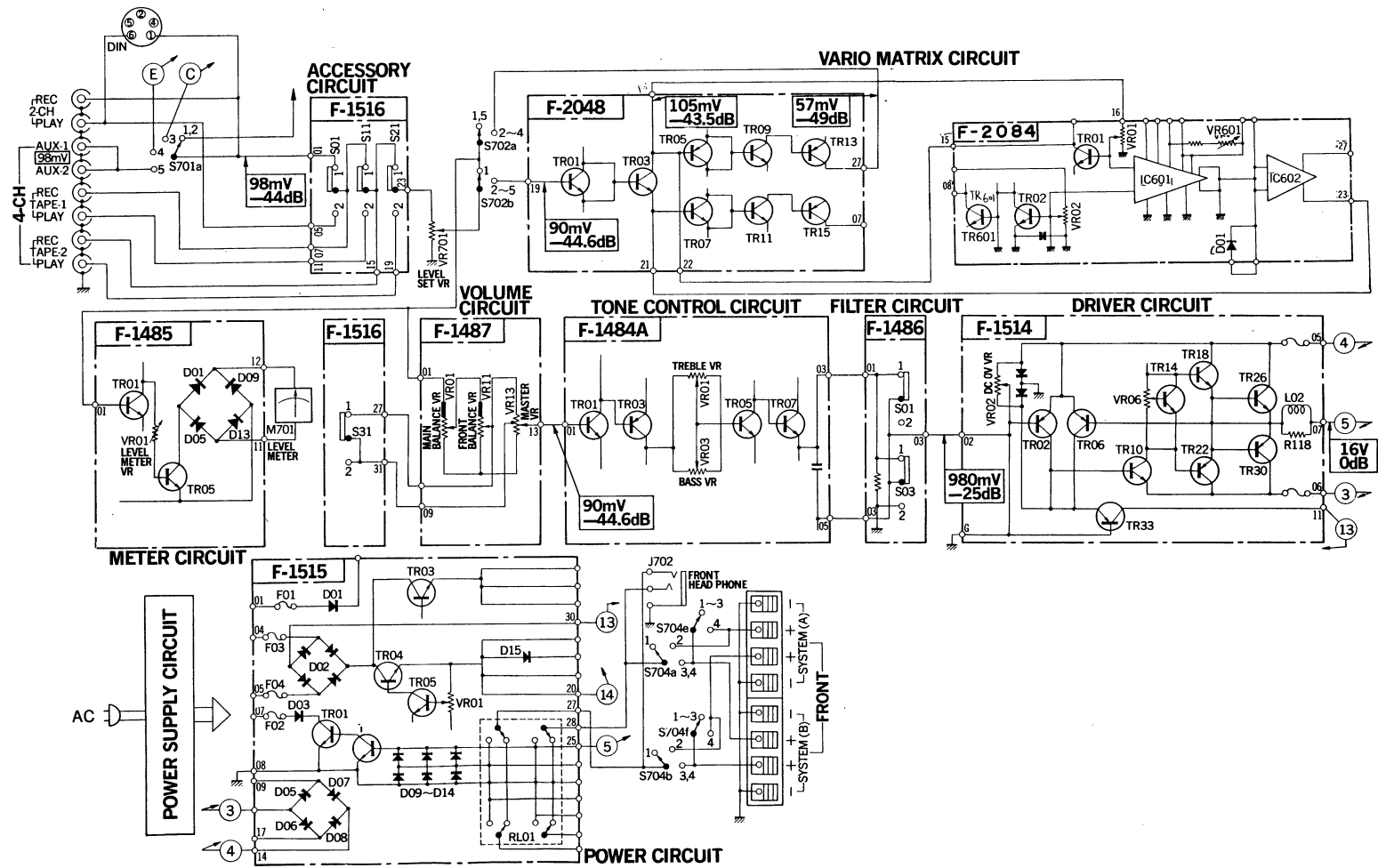
- |   |  |   |   |   |   |                                       |                                    |  |  |  |  |
|---|--|---|---|---|---|---------------------------------------|------------------------------------|--|--|--|--|
| S01 ~ 04: TAPE MONITOR<br>2-CH<br>1. OFF<br>2. ON | S01, 02: LOW FILTER<br>1. OFF<br>2. ON | S03, 04: HIGH FILTER<br>1. OFF<br>2. ON | S01, 02: FM DE-EMPHASIS<br>1. 75µs<br>2. 50µs | S11 ~ 14: TAPE MONITOR<br>4-CH-1<br>1. OFF<br>2. ON | S21 ~ 24: TAPE MONITOR<br>4-CH-2<br>1. OFF<br>2. ON | S31 ~ 34: LOUDNESS<br>1. OFF<br>2. ON | S41 : FM MUTING<br>1. OFF<br>2. ON | S701 a ~ o : SELECTOR<br>1. PHONO-2<br>2. PHONO-1<br>3. FM AUTO<br>4. FM MONO<br>5. AM<br>6. 4-CH AUX-1<br>7. 4-CH AUX-2 | S702 a ~ 1 : FUNCTION<br>1. 2-CH<br>2. QS SYNTHESIZER HALL<br>3. QS SYNTHESIZER SURROUND<br>4. QS REGULAR MATRIX HALL<br>5. QS REGULAR MATRIX SURROUND<br>6. PHASE MATRIX<br>7. DISCRETE | S703 a ~ d : DIRECTION<br>1. NORMAL<br>2. RIGHT QUARTER TURN<br>3. HALF TURN<br>4. LEFT QUARTER TURN | S704 a ~ h : SPEAKER<br>1. OFF<br>2. A<br>3. B<br>4. A+B |
|---|--|---|---|---|---|---------------------------------------|------------------------------------|--|--|--|--|

TUNER CIRCUIT



F-2589 EQUALIZER & CD-4 CIRCUIT





- |  |  |  |  |
|--|--|--|--|
| S701(a-o): SELECTOR<br>1. PHONO-2<br>2. PHONO-1<br>3. FM AUTO<br>4. AM<br>5. AUX                                   | S01-04: TAPE MONITOR 2-CH<br>1. OFF<br>2. ON | S31-34: LOUDNESS<br>1. OFF<br>2. ON    | S41: FM MUTING<br>1. ON<br>2. OFF                      |
| S702(a-i): FUNCTION<br>1. 2-CH<br>2. QS SYNTHESIZER<br>3. QS REGULAR MATRIX<br>4. PHASE MATRIX<br>5. DISCRETE/CD-4 | S11-14: TAPE MONITOR 4-CH<br>1. OFF<br>2. ON | S01,02: LOW FILTER<br>1. OFF<br>2. ON  | S01,02: FM DE-EMPHASIS<br>1. 75μS<br>2. 50μS           |
|  | S21-24: TAPE MONITOR 4-CH<br>1. OFF<br>2. ON | S03,04: HIGH FILTER<br>1. OFF<br>2. ON | S704(a-h): SPEAKER<br>1. OFF<br>2. A<br>3. B<br>4. A+B |



### 3. ALIGNMENTS AND ADJUSTMENTS

(QRX-5500A, QRX-7500A Common)

#### Abbreviation

**Equipment**

AM FM Generator Oscilloscope..... Genescope  
 AM Standard Signal Generator .....AM SSG  
 FM Standard Signal Generator .....FM SSG  
 FM Stereo Generator.....Stereo SG  
 Oscilloscope .....Scope  
 Audio Oscillator .....Audio Osci.  
 Distortion Meter .....Dist. Meter

**Others**

Clockwise .....CW.  
 Counterclockwise.....CCW.  
 Antenna .....ANT.  
 Modulation.....MOD.

#### 3-1. Regulated Power Supply Board Adjustment (See Fig. 3-1)

**Note:** 1. Function.....QS Synthesizer  
 2. Master Volume.....Minimum \*F-1483.....QRX-5500A  
 3. Confirm the AC Power Supply voltage. \*F-1515.....QRX-7500A

STEP	SUBJECT	EQUIPMENT	MEASURE OUTPUT	ADJUST	ADJUST FOR	CONDITION
1	Regulated Power Supply	DC volt meter	F-1515, F-1483 terminal 18	F-1515 VR01 F-1483	25±0.1V	

#### 3-2. Level Meter Adjustment (See Fig. 3-2)

**Note:** 1. Function .....Discrete  
 2. Selector.....AUX-1  
 3. Master Volume .....Minimum  
 4. Level Set Volume .....Maximum  
 5. For adjustment, run the unit for more than 2 minutes after the power is switched on.

STEP	SUBJECT	FEED SIGNAL		MEASURE OUTPUT	ADJUST	ADJUST FOR	CONDITION
		FROM	TO				
1	Level Meter	1kHz Output : 100mV Audio Osci.	FRONT, REAR AUX-1 L, R-ch	Level Meter	F-1485 VR01 (front L-ch) VR02 (front R-ch) VR03 (rear L-ch) VR04 (rear R-ch)	0 level	o Feed signal to 4-CH (both FRONT and REAR)

Fig. 3-1

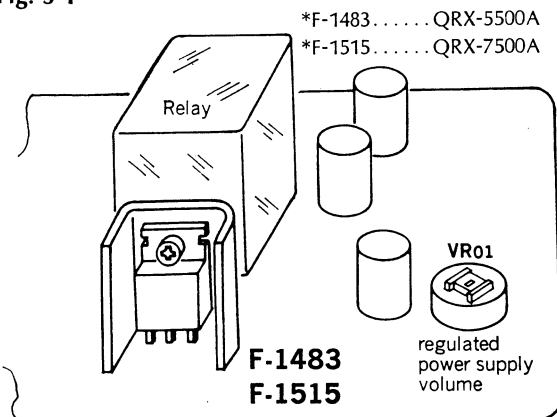
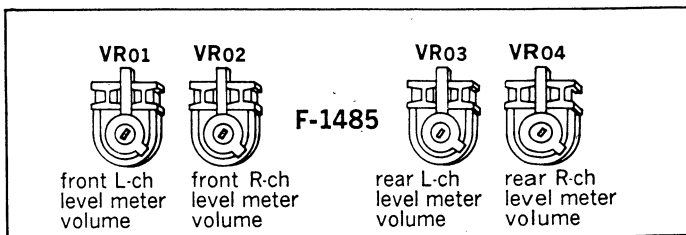


Fig. 3-2



### 3-3. Driver Circuit Board Adjustment (See Figs. 3-3 and 3-4)

- Note:** 1. Master Volume.....Minimum  
 2. Make the SP terminals free (no load).  
 3. Confirm the AC Power Supply voltage.  
 4. After adjustment, run the unit for more than 5 minutes, then check and readjust necessary.  
 5. Room temperature should be 18~28° (65~83°F) for bias current adjustment.

\*F-1482.....QRX-5500A  
 \*F-1514.....QRX-7500A

STEP	SUBJECT	EQUIPMENT	MEASURE OUTPUT	ADJUST	ADJUST FOR	CONDITION
1	DC 0V Front L	DC volt meter	Speaker terminal Front L-ch Fig. 3-4	F-1514, F-1482 VR01	0V	○ Step down meter's range accordingly
2	DC 0V Front R	Same as above	Speaker terminal Front R-ch Fig. 3-4	F-1514, F-1482 VR02	Same as above	Same as above
3	DC 0V Rear L	Same as above	Speaker terminal Rear L-ch Fig. 3-4	F-1514, F-1482 VR03	Same as above	Same as above
4	DC 0V Rear R	Same as above	Speaker terminal Rear R-ch Fig. 3-4	F-1514, F-1482 VR04	Same as above	Same as above
5	Bias current Front L	DC milliammeter	F-1482, F-1514 F01 Fig. 3-3	F-1514, F-1482 VR05	25 ± 1mA	○ Step down meter's range accordingly
6	Bias current Front R	Same as above	F-1482, F-1514 F02 Fig. 3-3	F-1514, F-1482 VR06	Same as above	Same as above
7	Bias current Rear L	Same as above	F-1482, F-1514 F03 Fig. 3-3	F-1514, F-1482 VR07	Same as above	Same as above
8	Bias current Rear R	Same as above	F-1482, F-1514 F04 Fig. 3-3	F-1514, F-1482 VR08	Same as above	Same as above

Fig. 3-3

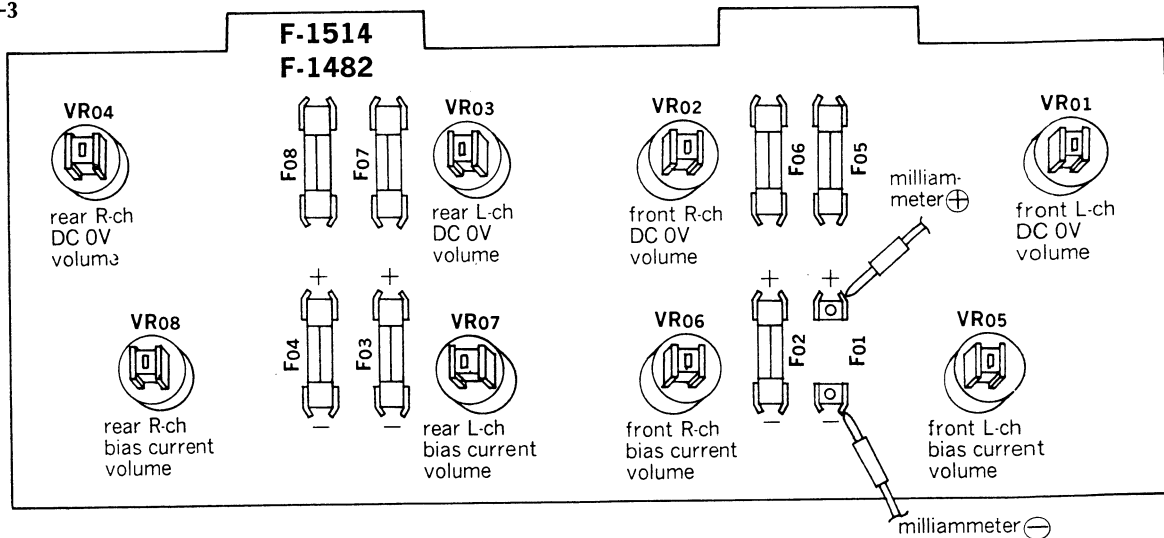
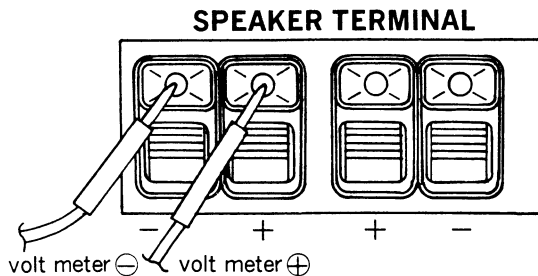


Fig. 3-4

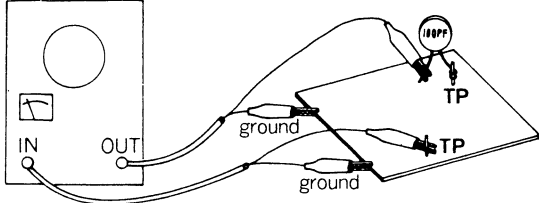


### 3-4. FM IF Alignment (See Fig. 3-10 on page 10)

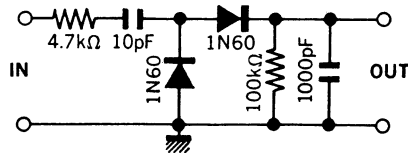
- Note:** 1. Selector.....FM AUTO  
 2. Master Volume .....Minimum  
 3. Output level of genescope .....After attenuator  
 4. Sweepwidth.....1.5~2cm/150kHz  
 5. Frequency band .....9.5~11.5MHz

6. Connection .....Connect the output of genescope to TP.A through 100pF ceramic capacitor.  
 7. Before adjustment, turn both VR01 and VR02 CCW (Max.), VR03 CW (Max.) and VR04 to center.

GENE SCOPE



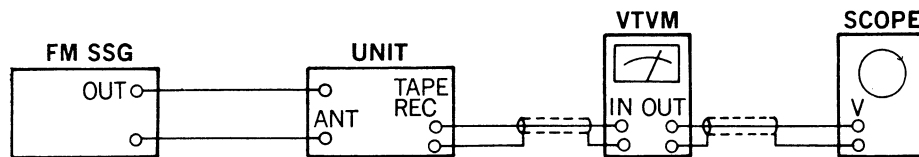
DETECTOR PROBE BLOCK

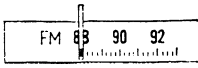
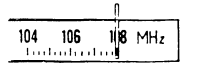


STEP	SUBJECT	FEED SIGNAL		MEASURE OUTPUT	ADJUST	ADJUST FOR	CONDITION
		FROM	TO				
1	IF coil	Output 55dB Genescope	Base of TR01 on F-1517 (Fig. 3-10 TP.A)	Connect Point between R32 & R33 on F-1517 (Fig. 3-10 TP.B)  Use Detector Probe	T01	Max. IF waveform 1 as Fig. 3-9	o Turn core of T05 CCW.
2	Meter coil	Same as above	Same as above	Connect Point between R52 & VR02 on F-1517 (Fig. 3-10 TP.D) Direct from Genescope	T05	Max. IF waveform 2 Set the center of waveform 2 with waveform 1 as Fig. 3-9	
3	Discriminator coil	Same as above	Same as above	Connect Point between R42 & R44 on F-1517 (Fig. 3-10 TP.C) Direct from Genescope	T03 T04	Max. linearity of S curve Set the center of S curve waveform 1 & 2 as Fig. 3-9	
4	IF coil	Same as above	Same as above	Same as above	T02	Max. noise	

### 3-5. FM Dial Calibration and RF Alignment (See Fig. 3-10 on page 10)

- Note:** 1. Selector.....FM AUTO  
 2. Master Volume .....Minimum  
 3. FM Muting switch .....OFF (pushed in)  
 4. Confirm start point of dial pointer before alignment.  
 5. In Step 3, 4 and 5, readjust items of Step 1, 2 if not correctly, repeat 3, 4 and 5 again.

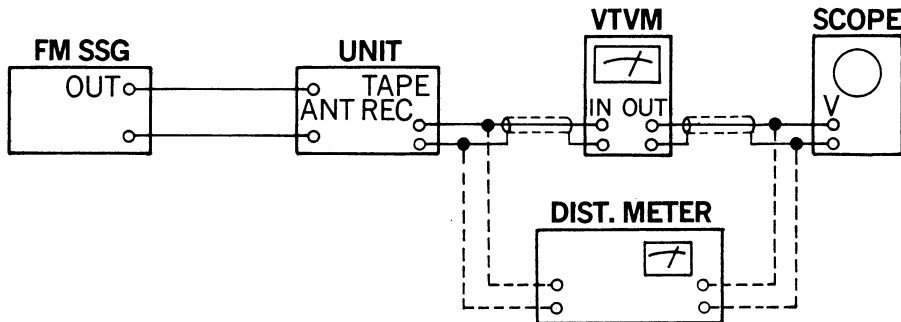


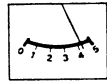
STEP	SUBJECT	FEED SIGNAL		MEASURE OUTPUT	ADJUST	ADJUST FOR	CONDITION
		FROM	TO				
1	88MHz Dial Calibration	88MHz ANT input 60dB 1kHz (100% MOD) FM SSG	ANT terminal 300Ω	REC OUT L or R-ch VTVM & Scope	L04	Max. output	o Set Dial on 88MHz 
2	108MHz Dial Calibration	108MHz ANT input 60dB 1kHz (100% MOD) FM SSG	Same as above	Same as above	Trimmer Cap. TC04	Same as above	o Set Dial on 108MHz 

STEP	SUBJECT	FEED SIGNAL		MEASURE OUTPUT	ADJUST	ADJUST FOR	CONDITION
		FROM	TO				
3	Confirm 88MHz Dial Calibration	Same as Step 1		Same as above		Confirm 88MHz Dial Calibration	◦If not, repeat from Step 1
4	Confirm 98MHz Dial Calibration	98MHz ANT input 60dB 1kHz (100% MOD) FM SSG		Same as above		Confirm 98MHz Dial Calibration	
5	Confirm 108MHz Dial Calibration	Same as Step 2		Same as above		Confirm 108MHz Dial Calibration	◦If not, repeat from Step 2
6	88MHz RF Adj.	88MHz ANT input 10dB 1kHz (100% MOD) FM SSG		Same as above	L01, L02, L03	Max. output	◦Tune FM SSG (Max. indication of Signal Meter)
7	108MHz RF Adj.	108MHz ANT input 10dB 1kHz (100% MOD) FM SSG		Same as above	Trimmer Cap. TC01, TC02, TC03	Same as above	Same as above

### 3-6. FM Signal Meter, Mono Distortion, Tune Meter and Muting Adjustment (See Fig. 3-10 on page 10)

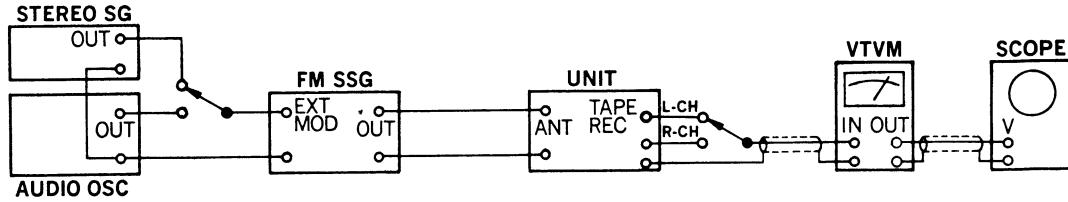
- Note: 1. Selector.....FM AUTO  
2. Master Volume .....Minimum



STEP	SUBJECT	FEED SIGNAL		MEASURE OUTPUT	ADJUST	ADJUST FOR	CONDITION
		FROM	TO				
1	Signal Meter	98MHz ANT input 66dB 1kHz (100% MOD) FM SSG		Signal Meter	VR02	4.3 on meter 	◦Tune FM SSG (Max. indication of Signal Meter) ◦Before adjustment, if meter swings out or not enough, preadjust VR02 until the reasonable point
2	Distortion	Same as above		REC OUT L or R-ch Dist. meter & Scope	T04	Min. distortion	◦Set VR04 to center ◦Tune FM SSG (Max. indication of Signal Meter)
3	Muting Level	98MHz ANT input 25dB 1kHz (100% MOD) FM SSG		REC OUT L or R-ch VTVM & Scope	VR04		◦Set FM MUTING switch to OFF (pushed in) ◦Tune the Tune Meter to center and set the muting switch to ON (pushed out)

### 3-7. MPX Alignment (See Fig. 3-10 on page 10)

- Note:** 1. Selector .....FM AUTO  
 2. Master Volume.....Minimum  
 3. FM MUTING switch ..... OFF (pushed in)  
 4. Before adjustment, turn VR01 CW (Max.) and VR05 to center.

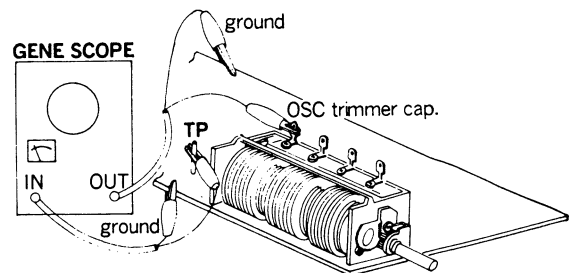
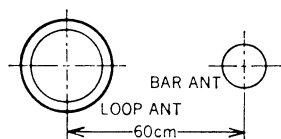


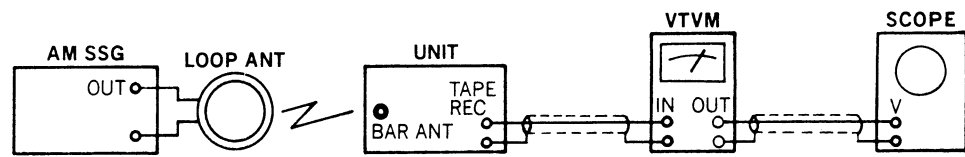
STEP	SUBJECT	FEED SIGNAL		MEASURE OUTPUT	ADJUST	ADJUST FOR	CONDITION
		FROM	TO				
1	19kHz coil	98MHz ANT input 60dB FM SSG Pilot 19kHz (10% MOD) L-ch 1kHz (45% MOD) R-ch (0% MOD) Stereo SG	ANT terminal 300Ω	REC OUT L-ch VTVM & Scope	L08	Max. output	o Tune FM SSG (Center indication of Tune Meter)
2	Indicator (Lighting level)	98MHz ANT input 31dB FM SSG Pilot 19kHz (10% MOD) Stereo SG	Same as above	Stereo indicator lamp	VR01	Lighting Point	o Tune FM SSG (Center indication of Tune Meter)

### 3-8. AM IF, Dial Calibration, RF and Signal Meter Alignment (See Figs. 3-6, 3-7, 3-8 and 3-10 on page 10)

- Note:** 1. Selector.....AM  
 2. Master Volume .....Minimum  
 3. Confirm start point of dial pointer before alignment.  
 4. In case of using loop antenna, increase output of AM SSG for 26dB than bar antenna's direct input as it attenuates input sensitivity for 26dB. (See Fig. 3-5)  
 5. After adjustment of signal meter, confirm the meter's swing on FM. (If meter swang out or not enough, readjust VR02.) (See Page 3-8)

Fig. 3-5





STEP	SUBJECT	FEED SIGNAL		MEASURE OUTPUT	ADJUST	ADJUST FOR	CONDITION
		FROM	TO				
1	IF coil	Output 70dB Genescope	OSC trimmer cap. (TC06) Fig. 3-10	Connect Point between R96 & R106 on F-1517 (Fig. 3-10 TP.E)	T07	Max. IF waveform 1 Fig. 3-6	◦ Turn core T08 & T09 CCW.
2	IF coil	Output 55dB Genescope	Same as above		T08	Max. IF waveform 2 Fig. 3-7	
3	IF coil	Output 45dB Genescope	Same as above		T09	Max. IF waveform 3 Fig. 3-8	◦ If not, readjust T08 & T09 slightly
4	535kHz Dial calibration	535kHz ANT input 60dB 400Hz (30% MOD) AM SSG Use loop ANT	Bar ANT	REC OUT L or R-ch VTVM & Scope	T06	Max. output	◦ If broadcasting station is near, it might be used
5	1400kHz Dial Calibration	1400kHz ANT input 60dB 400Hz (30% MOD) AM SSG Use loop ANT	Same as above	Same as above	Trimmer Cap. TC06	Same as above	Same as above
6	Confirm 600kHz Dial Calibration	600kHz ANT input 60dB 400Hz (30% MOD) AM SSG Use loop ANT	Same as above	Same as above		Confirm 600kHz Dial Calibration	◦ If not, repeat from Step 4
7	Confirm 1000kHz Dial Calibration	1000kHz ANT input 60dB 400Hz (30% MOD) AM SSG Use loop ANT	Same as above	Same as above		Confirm 1000kHz Dial Calibration	
8	Confirm 1400kHz Dial Calibration	Same as Step 5	Same as above	Same as above		Confirm 1400kHz Dial Calibration	◦ If not, repeat from Step 5
9	600kHz RF Adj.	600kHz ANT input 50dB 400Hz (30% MOD) AM SSG Use loop ANT	Same as above	Same as above	Bar ANT L702	Max. output	
10	1400kHz RF Adj.	1400kHz ANT input 50dB 400Hz (30% MOD) AM SSG Use loop ANT	Same as above	Same as above	Trimmer Cap. TC05	Same as above	
11	Signal Meter	1000kHz ANT input 100dB 400Hz (30% MOD) AM SSG Use loop ANT	Same as above	Same as above	F-1517 VR06	4 on meter	◦ Tune AM SSG (Max. indication of signal meter) ◦ Before adjustment, if meter swung out or not enough, preadjust VR06 until the reasonable point

Fig. 3-6

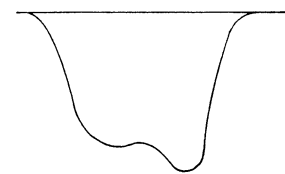


Fig. 3-7

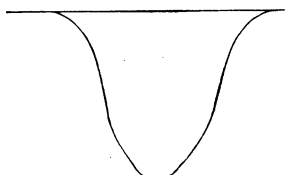


Fig. 3-8

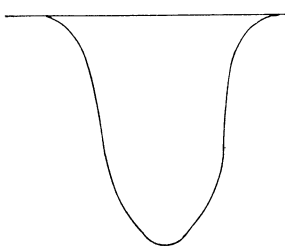


Fig. 3-9

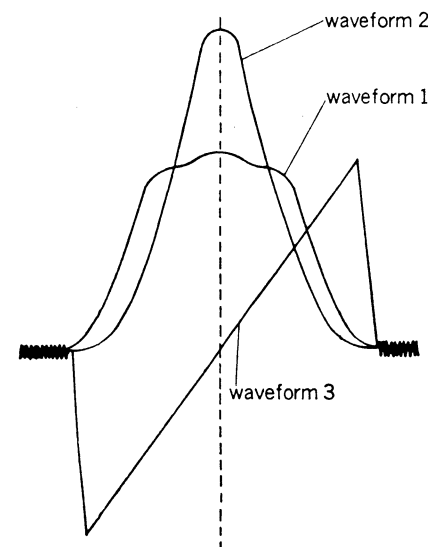
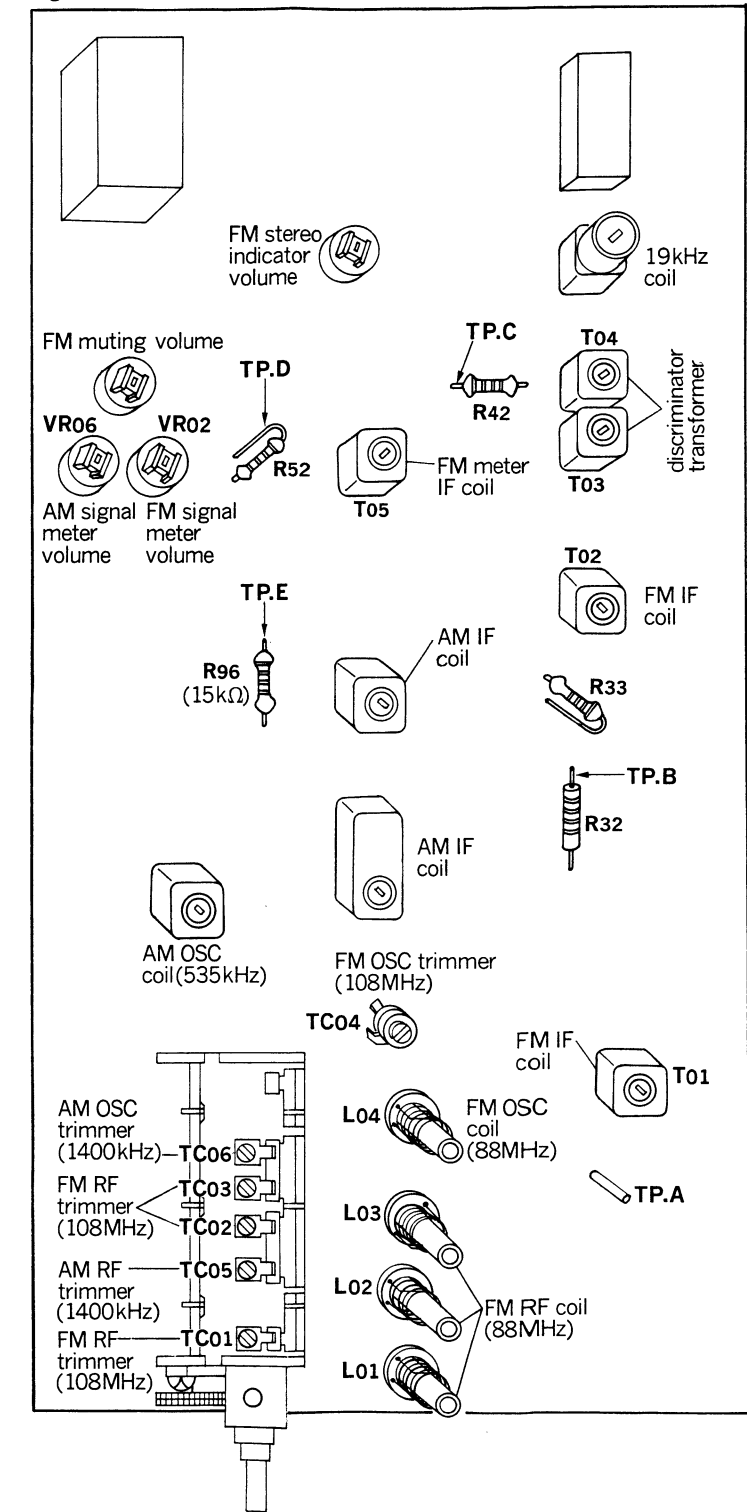


Fig. 3-10



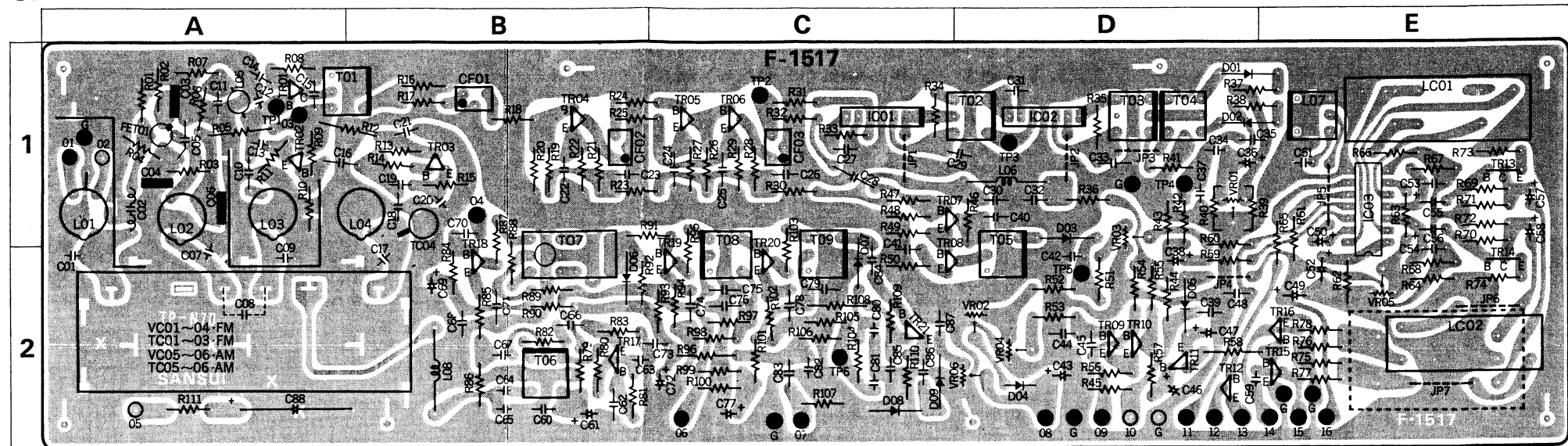
# 4. PARTS LOCATIONS AND PARTS LIST

4-1. F-1517 Tuner Circuit Board (Stock No. 7521140 Complete Circuit Board... QRX-5500A)  
 (Stock No. 7521160 Complete Circuit Board... QRX-7500A)

## Parts List

Parts No.	Stock No.	Description	Position
TR01	0305801, 2	2SC1047 (B, C)	1 A
TR02	0305942, 3	2SC710 (C, D)	1 A
TR03	0305790, 1	2SC930 (C, D)	1 B
TR04	0306112, 3	2SC738 (C, D)	1 B
TR05	0306112, 3	2SC738 (C, D)	1 C
TR06	0306112, 3	2SC738 (C, D)	1 C
TR07	0305942, 3	2SC710 (C, D)	1 C, D
TR08	0305942, 3	2SC710 (C, D)	2 C, D
TR09	0305732, 3	2SC711 (F, G)	2 D
	or	or	
	0305952, 3	2SC945 (P, K)	
	0305732, 3	2SC711 (F, G)	2 D
TR10	or	or	2 D
	0305952, 3	2SC711 (F, G)	
TR11	0300510, 1	2SA733 (P, Q)	2 D
TR12	0300221	2SA562 (Y)	2 D
TR13	0306141, 2	2SC1362 (7, 8)	1 E
TR14	0306141, 2	2SC1362 (7, 8)	2 E
TR15	0306131, 2	2SC1364 (6, 7)	2 E
	or	or	
	0305951, 2	2SC945 (Q, P)	
	0306131, 2	2SC1364 (6, 7)	2 E
TR16	or	or	2 E
	0305951, 2	2SC945 (Q, P)	
TR17	0305991	2SC403C (3)	2 B
TR18	0305992	2SC403C (4)	2 B
TR19	0305992	2SC403C (4)	2 C
TR20	0305992	2SC403C (4)	2 C
TR21	0305991	2SC403C (3)	2 C
TR22	0305732, 3	2SC711 (F, G)	
IC01	0360120	PC555H	1 C
IC02	0360120	PC555H	1 D
IC03	0360250	PC554C	1, 2 E
FET01	0370080, 1	3SK39 (Q, R) FET	1 A
D01	0311060	1N60P	1 D, E
D02	0311060	1N60P	1 D, E
D03	0310330, 1	1N60	1 D
D04	0340090	DS-430	2 D
D05	0311050	1S953	2 D
D06	0310330, 1	1N60	2 B
D07	0311090	1S1007-J	1, 2 C
D08	0310330, 1	1N60	2 C
D09	0310333, 1	1N60	2 C
T01	4235930	FM IF Coil	1 A, B
T02	4235860	FM IF Coil	1 C, D
T03	4235750	FM IF Coil	1 D
T04	4235760	FM IF Coil	1 D
T05	4235940	FM IF Coil	1, 2 D
T06	4220630	AM OSC Coil	2 B
T07	0910280	Ceramic Filter	1, 2 B
T08	4230580	AM IF Coil	1, 2 C
T09	4230610	AM IF Coil	1, 2 C
L01	4200560	FM ANT Coil	1 A
L02	4210300	FM RF Coil	1 A

## Conductor Side



Parts No.	Stock No.	Description	Position
L03	4210300	FM RF Coil	1 A
L04	4220530	FM OSC Coil	1 A, B
L05	4290110	Peaking Coil	1 A
L06	4290011	Peaking Coil	1 D
L07	4240720	19kHz Coil	1 E
L08	4290011	Peaking Coil	2 B
LC01	4240710	MPX Coil	1 E
LC02	0910220	Low Pass Filter	2 E
CF01	0910150	Ceramic Filter	1 B
CF02	0910150	Ceramic Filter	1 B
CF03	0910150	Ceramic Filter	1 C
VC01-06	1220130	Variable Capacitor	2 A
TC04	1230090	Ceramic Trimmer	1 B
C01	0669368	68pF	2 A
C02	0657102	0.001μF	1 A
C03	0659015	2200pF	1 A
C04	0659015	2200pF	50V C.C. 1 A
C05	0657223	0.022μF	1 A
C06	0659015	2200pF	1 A
C07	0669370	10pF	1, 2 A
C08	0679023	0.39pF	50V 2 A
C09	0669370	10pF	Gimmick Capacitor 2 A
C10	0661120	12pF	1 A
C11	0660221	220pF	1 A
C12	0661100	10pF	1 A
C13	0661100	10pF	50V C.C. 1 A
C14	0657223	0.022μF	1 A
C15	0657223	0.022μF	1 A
C16	0669020	4.7pF	1 A, B

Parts No.	Stock No.	Description	Position
C17	0669382	12pF	2 B
C18	0669370	10pF	1 B
C19	0669369	8.2pF	1 B
C20	0669375	15pF	1 B
C21	0657223	0.022μF	1 B
C22	0657223	0.022μF	1 B
C23	0657223	0.022μF	1 B
C24	0657473	0.047μF	1 C
C25	0657473	0.047μF	1 C
C26	0657223	0.022μF	50V C.C. 1 C
C27	0657223	0.022μF	1 C
C28	0657101	100pF	1 C
C29	0657223	0.022μF	1 C, D
C30	0657223	0.022μF	1 D
C31	0657223	0.022μF	1 D
C32	0657223	0.022μF	1 D
C33	0657473	0.047μF	1 D
C34	0657101	100pF	1 D
C35	0657101	100pF	1 D, E
C36	0512100	10μF 16V E.C.	1 D
C37	0657101	100pF 50V C.C.	1 D
C38	0513479	4.7μF 25V E.C.	2 D
C39	0657223	0.022μF 50V C.C.	2 D
C40	0657223	0.022μF	1 D
C41	0657223	0.022μF 50V C.C.	2 C
C42	0657102	0.001μF	2 D
C43	0510101	100μF 6.3V E.C.	2 D
C44	0601687	0.068μF 50V M.C.	2 D
C45	0657223	0.022μF 50V C.C.	2 D
C46	0519104	0.1μF	2 D
C47	0515339	3.3μF	50V E.C. 2 D
C48	0601687	0.068μF 50V M.C.	2 D
C49	0512101	100μF 16V E.C.	2 D
C50	0515339	3.3μF 50V E.C.	1, 2 E
C51	0629001	680pF 50V P.C.	1 E

Parts No.	Stock No.	Description	Position
C52	0512100	10μF 16V E.C.	2 E
C53	0600127	0.012μF	1 E
C54	0600127	0.012μF 50V M.C.	2 E
C55	0515109	1μF	1 E
C56	0515109	1μF	1 E
C57	0519105	2.2μF	50V E.C. 1 E
C58	0519105	2.2μF	1 E
C59	0620102	100pF 50V P.C.	1 D, E
C60	0657223	0.022μF 50V C.C.	2 B
C61	0512470	47μF 16V E.C.	2 B
C62	0657473	0.047μF	2 B
C63	0657330	33pF	50V C.C. 2 B, C
C64	0620361	360pF 50V P.C.	2 B
C65	0669437	6.8pF 50V C.C.	2 B
C66	0601107	0.01μF	2 B
C67	0601107	0.01μF	50V M.C. 2 B
C68	0657223	0.022μF 50V C.C.	2 B
C69	0515339	3.3μF	2 B
C70	0657223	0.022μF	50V E.C. 1 B
C71	0657473	0.047μF 50V C.C.	2 B
C72	0512100	10μF 50V E.C.	2 C
C73	0657223	0.022μF	50V C.C. 2 B, C
C74	0657473	0.047μF	2 C
C75	0657473	0.047μF	2 C
C75	0657473	0.047μF	50V C.C. 2 C
C77	0512470	47μF 16V E.C.	2 C
C78	0601108	0.1μF 50V M.C.	2 C
C79	0657473	0.047μF 50V C.C.	2 C
C80	0601476	0.0047μF	2 C
C81	0601227	0.022μF	50V M.C. 2 C
C82	0601107	0.01μF	2 C
C83	0601477	0.047μF	2 C
C84	0657101	100pF	2 C
C85	0657223	0.022μF 50V C.C.	2 C
C86	0657223	0.022μF	2 C

Parts No.	Stock No.	Description	Position
C87	0657223	0.022 $\mu$ F 50V C.C.	2C
C88	0502100	10 $\mu$ F 16V E.C.	
R01	0113104	100k $\Omega$	1A
R02	{ 0113101 0113181	100 $\Omega$ 180 $\Omega$	1A
R03	0113224	220k $\Omega$	1A
R04	0113104	100k $\Omega$	1A
R05	0107220	22 $\Omega$ $\frac{1}{4}$ W C.R.	1A
R06	0113123	12k $\Omega$	1A
R07	0113222	2.2k $\Omega$	1A
R08	0113102	1k $\Omega$	1A
R09	0113223	22k $\Omega$	1A
R10	0113223	22k $\Omega$	1A
R11	0113821	820 $\Omega$	1A
R12	0107822	8.2k $\Omega$ $\frac{1}{4}$ W C.R.	1A, B
R13	0113104	100k $\Omega$	1B
R14	0113220	22 $\Omega$	1B
R15	0113222	2.2k $\Omega$	1B
R16	0113181	180 $\Omega$	1B
R17	0113101	100 $\Omega$	1B
R18	0113221	220 $\Omega$	1B
R19	0113122	1.2k $\Omega$	1B
R20	0113562	5.6k $\Omega$	1B
R21	0113471	470 $\Omega$	1B
R22	0113272	2.7k $\Omega$	1B
R23	0113100	10 $\Omega$	1B, C
R24	0113221	220 $\Omega$	1B, C
R25	0113102	1k $\Omega$	1B, C
R26	0113821	820 $\Omega$	1C
R27	0113332	3.3k $\Omega$	1C
R28	0113471	470 $\Omega$	1C
R29	0113272	2.7k $\Omega$	1C
R30	0113100	10 $\Omega$	1C
R31	0113220	22 $\Omega$	1C
R32	0113682	6.8k $\Omega$	1C
R33	0113331	330 $\Omega$	1C
R34	0113103	10k $\Omega$ $\frac{1}{4}$ W S.R.	1C
R35	0113682	6.8k $\Omega$	2D
R36	0113100	10 $\Omega$	1D
R37	0113102	1k $\Omega$	1D, E
R38	0113102	1k $\Omega$	1D, E
R41	0113150	15 $\Omega$	1D
R42	0113102	1k $\Omega$	1D
R43	0113153	15k $\Omega$	1D
R44	0113153	15k $\Omega$	
R45	0113272	2.7k $\Omega$	
R46	0113101	100 $\Omega$	1D
R47	0113223	22k $\Omega$	1C
R48	0113682	6.8k $\Omega$	1C
R49	0113182	1.8k $\Omega$	1C
R50	0113471	470 $\Omega$	2C
R51	0113103	10k $\Omega$	2D
R52	0113122	1.2k $\Omega$	2D
R53	0113104	100k $\Omega$	2D
R54	0113393	39k $\Omega$	2D
R55	0113153	15k $\Omega$	2D
R56	0113560	56 $\Omega$	2D
R57	0113473	4.7k $\Omega$	2D
R58	0107332	3.3k $\Omega$ $\frac{1}{4}$ W C.R.	2D, E
R59	0103150	15 $\Omega$	2D
R60	0113150	100k $\Omega$	1, 2D
R61	0113334	330k $\Omega$ $\frac{1}{4}$ W S.R.	1, 2E
R62	0113472	4.7k $\Omega$	2E
R65	0113562	5.6k $\Omega$	1, 2E

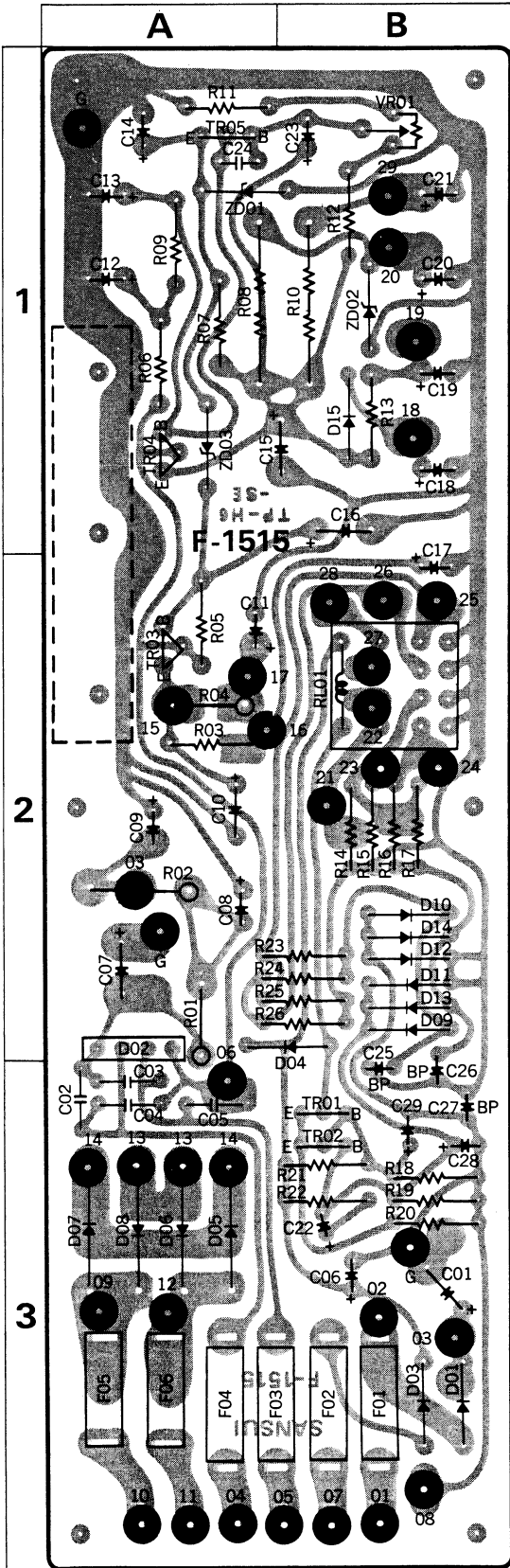
Parts No.	Stock No.	Description	Position
R67	0113392	3.9k $\Omega$	1E
R68	0113392	3.9k $\Omega$	2E
R69	0113684	680k $\Omega$	1E
R70	0113684	680k $\Omega$	1E
R71	0113392	3.9k $\Omega$	1E
R72	0113392	3.9k $\Omega$	1E
R73	0113331	330 $\Omega$	1E
R74	0113331	330 $\Omega$	2E
R75	0113332	3.3k $\Omega$	2E
R76	0113332	3.3k $\Omega$	2E
R77	0113562	5.6k $\Omega$	2E
R78	0113562	5.6k $\Omega$	2E
R79	0113272	2.7k $\Omega$	2B
R80	0113101	100 $\Omega$	2B
R81	0113564	560k $\Omega$ $\frac{1}{4}$ W S.R.	2B
R82	0113100	10 $\Omega$	2B
R83	0113102	1k $\Omega$	2B
R84	0113103	10k $\Omega$	2B
R85	0113220	22 $\Omega$	2B
R86	0113102	1k $\Omega$	2B
R87	0113561	560 $\Omega$	1, 2B
R88	0113224	220k $\Omega$	1, 2B
R89	0113561	560k $\Omega$	2B
R90	0113392	3.9k $\Omega$	2B
R91	0113332	3.3k $\Omega$	1B, C
R92	0113123	12k $\Omega$	2B
R93	0113124	120k $\Omega$	2C
R94	0113102	1k $\Omega$	2C
R95	0113681	860 $\Omega$	1, 2C
R96	0107153	15k $\Omega$ $\frac{1}{4}$ W C.R.	2C
R97	0113822	8.2k $\Omega$	2C
R98	0113562	5.6k $\Omega$	2C
R99	0113470	47 $\Omega$	2C
R100	0113470	47 $\Omega$	2C
R101	0113101	100 $\Omega$	2C
R102	0113102	1k $\Omega$ $\frac{1}{4}$ W S.R.	2C
R103	0113471	470 $\Omega$	1, 2C
R104	0113102	1k $\Omega$	2C
R105	0113472	4.7k $\Omega$	2C
R106	0113392	3.9k $\Omega$	2C
R107	0113473	47k $\Omega$	2C
R108	0107122	1.2k $\Omega$ $\frac{1}{4}$ W C.R.	2C
R109	0113823	82k $\Omega$	2C
R110	0113122	1.2k $\Omega$ $\frac{1}{4}$ W S.R.	2C
R111	0113100	10 $\Omega$	
R112	0107822	8.2k $\Omega$	
R901	0107102	1k $\Omega$	
R902	0107104	100k $\Omega$	
VR02	1035170	47k $\Omega$ (B)	2D
VR04	1035190	47k $\Omega$ (B)	2D
VR05	1035170	47k $\Omega$ (B)	2D
		(Semi Variable Resistor (Solid Type))	
	2260010	Testpin	



### 4-2. F-1515 Protector & Power Circuit Board Conductor Side

(Stock No. 7501330 Complete Circuit Board . . . QRX-7500A)

#### Parts List

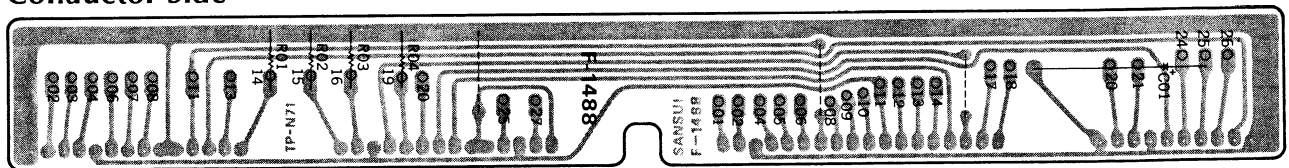


Parts No.	Stock No.	Description	Position
TR01	0306132, 3	2SC1364 (7, 8)	Transistor
TR02	0306132, 3	2SC1364 (7, 8)	
TR03	0308331, 2	2SD315 (E, D)	
TR04	0308331, 2	2SD315 (E, D)	
TR05	0306020, 1	2SC983 (O, R)	
D01	0310340	10D-1	Diode
D02	0311070	2B2DM	
D03	0310340	10D-1	
D04	0310340	10D-1	
D05	0311240	SR3-AM-4	
D06	0311240	SR3-AM-4	
D07	0311240	SR3-AM-4	
D08	0311240	SR3-AM-4	
D09	0310400	1N-34A	
D10	0310400	1N-34A	
D11	0310400	1N-34A	
D12	0310400	1N-34A	
D13	0310400	1N-34A	
D14	0310400	1N-34A	
D15	0310340	10D-1	
ZD01	0316300	RD-12E (C)	Zener Diode
ZD02	0316300	RD-12E (C)	
ZD03	{ 0315370 or 0315650	{ RD-19 A (L) or EQB01-18	
C01	0511102	1000 $\mu$ F 10V E.C.	3 B
C06	0515330	33 $\mu$ F 50V E.C.	
C07	0519903	100 $\mu$ F 80V E.C.	
C08	0515101	100 $\mu$ F 50V E.C.	
C09	0515330	33 $\mu$ F 50V E.C.	
C10	0514331	330 $\mu$ F 35V E.C.	
C11	0515101	100 $\mu$ F } 50V E.C.	
C12	0515330	33 $\mu$ F } 1 A	
C13	0515101	100 $\mu$ F 50V E.C.	
C14	0512101	100 $\mu$ F 16V E.C.	
C15	0515101	100 $\mu$ F 50V E.C.	
C16	0514331	330 $\mu$ F 35V E.C.	
C17	0515101	100 $\mu$ F } 2 B	
C18	0515101	100 $\mu$ F } 50V E.C.	
C19	0515101	100 $\mu$ F } 1 B	
C20	0512101	100 $\mu$ F } 16V E.C.	
C21	0512101	100 $\mu$ F } 1 B	
C22	0519103	0.47 $\mu$ F } 50V E.C.	
C23	0515100	10 $\mu$ F } 1 B	
C25	0530470	47 $\mu$ F } 3 B	
C26	0530470	47 $\mu$ F } 6.3V BP.E.C.	
C27	0535109	1 $\mu$ F 50V BP.E.C.	
C28	0515109	1 $\mu$ F 50V E.C.	
C29	0510471	470 $\mu$ F 6.3V E.C.	
C30	0660221	220 pF 50V C.C.	
C31	0655103	0.01 $\mu$ F 500V C.C.	
R01	0103271	270 $\Omega$ } 2 A	
R02	0103271	270 $\Omega$ } $\frac{1}{2}$ W C.R.	
R03	0103470	47 $\Omega$ } 2 A	
R04	0104820	82 $\Omega$ } 1 W C.R.	
R05	0107392	3.9k $\Omega$ } 2 A	
R06	0107152	1.5k $\Omega$ } $\frac{1}{4}$ W C.R.	
R07	0107562	5.6k $\Omega$ } 1 A	

Parts No.	Stock No.	Description	Position
R08	0162561	560Ω 2 W Ce.R.	1 A
R09	0107152	1.5kΩ ¼W C.R.	1 A
R10	0162181	180Ω 2 W Ce.R.	1 B
R11	0107682	6.8kΩ ¼W C.R.	1 A
R12	0107682	6.8kΩ ¼W C.R.	1 B
R13	0103220	22Ω ½W C.R.	1 B
R14	0107332	3.3kΩ	2 B
R15	0107332	3.3kΩ	2 B
R16	0107473	47kΩ	2 B
R17	0107473	47kΩ	2 B
R18	0107562	5.6kΩ ¼W C.R.	3 B
R19	0107474	470kΩ	3 B
R20	0107479	4.7Ω	3 B
R21	0107823	82kΩ	3 A, B

Parts No.	Stock No.	Description	Position
R22	0107394	390kΩ	2 A, B
R23	0107473	47kΩ	2 A, B
R24	0107473	47kΩ ¼W C.R.	2 A, B
R25	0107332	3.3kΩ	2 A, B
R26	0107332	3.3kΩ	2 A, B
VR01	1035090	2.2kΩ (B) Semi-Variable Resistor (Solid Type)	1 B
RL01	1150101	MY4-O2-US-SA Relay	2 B
F01	0432900, 1	5 A	3 B
F02	0432830, 1	1 A	3 B
F03	0432850, 1	2 A	3 A
F04	0432850, 1	2 A	3 A

### 4-3. F-1488 Connector Joint Circuit Board (Stock No. 7593220 Complete Circuit Board . . . QRX-5500A) Conductor Side (Stock No. 7593320 Complete Circuit Board . . . QRX-7500A)

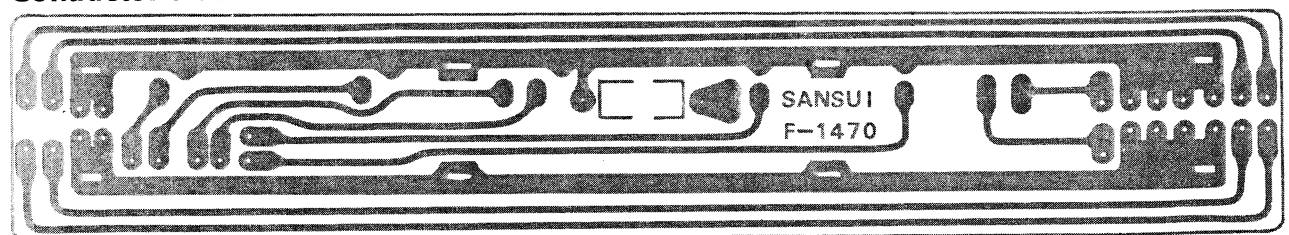


#### Parts List

Parts No.	Stock No.	Description	Position
C01	0504221	220µF 35V E.C.	1
R01	0107474	470kΩ	2
R02	0107474	470kΩ	2
R03	0107474	470kΩ ± 5% ¼W C.R.	2
R04	0107474	470kΩ	2

Parts No.	Stock No.	Description	Position
	2420150	10P Connector	
	2420160	14P Connector	
	2420170	18P Connector	

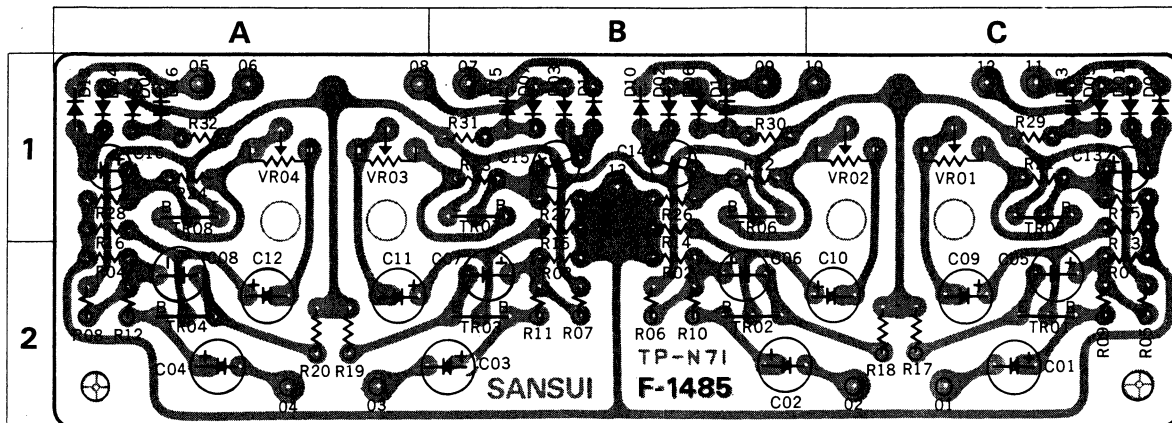
### 4-4. F-1470 Illumination Unit Circuit Board (Stock No. 7593230 Complete Circuit Board . . . QRX-5500A) Conductor Side (Stock No. 7593330 Complete Circuit Board . . . QRX-7500A)



#### Parts List

Parts No.	Stock No.	Description
R01	0107180	18Ω ¼W C.R.

**4-5. F-1485 Meter Circuit Board** (Stock No. 7593200 Complete Circuit Board... QRX-5500A)  
 (Stock No. 7593290 Complete Circuit Board... QRX-7500A)  
**Conductor Side**

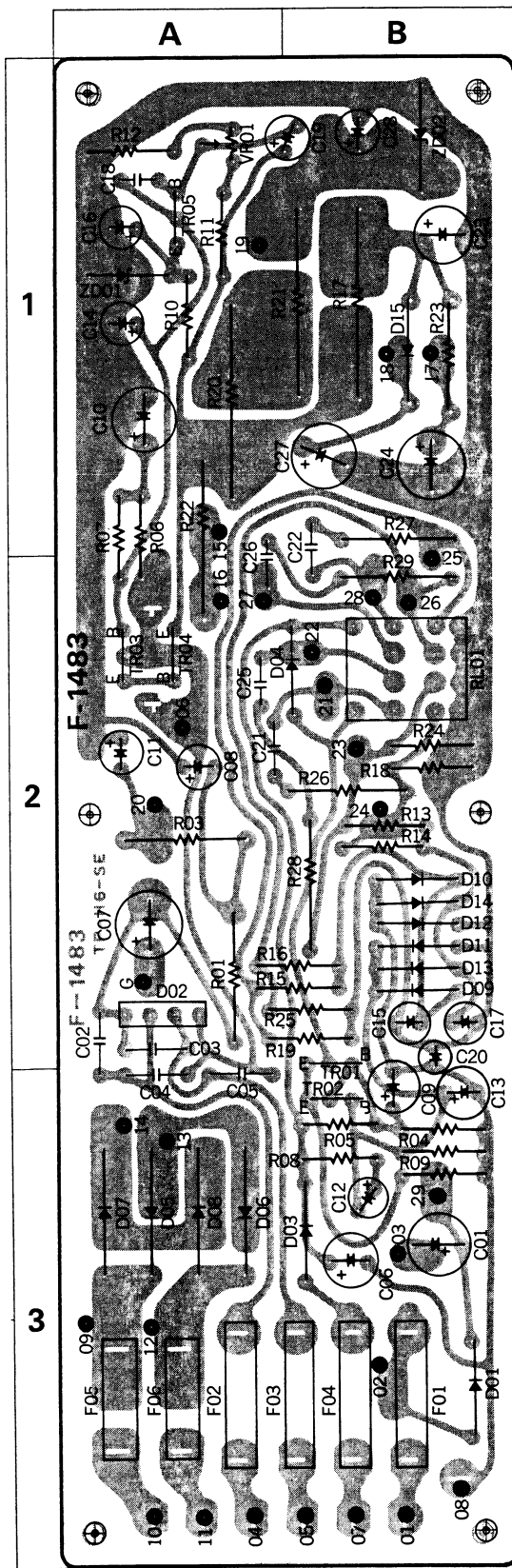


**Parts List**

Parts No.	Stock No.	Description	Position	Parts No.	Stock No.	Description	Position	
TR01-04	0306012	2SC1222 (F)	Transistor	R01	0106824	820kΩ	2 C	
	or	or		R02	0106824	820kΩ	2 B	
	0306071	2SC1222 (G)		R03	0106824	820kΩ	2 B	
	0306012	2SC1222 (F)		R04	0106824	820kΩ	2 A	
TR05-08	0306012	2SC1222 (F)	1 A, B, C	R05	0106104	100kΩ	2 C	
	or	or		R06	0106104	100kΩ	2 B	
	0306071	2SC1222 (G)		R07	0106104	100kΩ	2 B	
D01	0310400	1N34A	1 C	R08	0106104	100kΩ	2 A	
D02	0310400	1N34A	1 B	R09	0106474	470kΩ	2 C	
D03	0310400	1N34A	1 B	R10	0106474	470kΩ	2 B	
D04	0310400	1N34A	1 A	R11	0106474	470kΩ	2 B	
D05	0310400	1N34A	1 C	R12	0106474	470kΩ	2 A	
D06	0310400	1N34A	1 B	R13	0106104	100kΩ	1 C	
D07	0310400	1N34A	1 B	R14	0106104	100kΩ	1 B	
D08	0310400	1N34A	1 A	R15	0106104	100kΩ	1 B	
D09	0310400	1N34A	1 C	R16	0106104	100kΩ	± 5% 1/4W C.R. (E.L.R.)	
D10	0310400	1N34A	1 B	R17	0106103	10kΩ		2 C
D11	0310400	1N34A	1 B	R18	0106103	10kΩ	2 C	
D12	0310400	1N34A	1 A	R19	0106103	10kΩ	2 A	
D13	0310400	1N34A	1 C	R20	0106103	10kΩ	2 A	
D14	0310400	1N34A	1 B	R21	0106105	1MΩ	1 C	
D15	0310400	1N34A	1 B	R22	0106105	1MΩ	1 B	
D16	0310400	1N34A	1 A	R23	0106105	1MΩ	1 B	
C01	0515109	1μF	2 C	R24	0106105	1MΩ	1 A	
C02	0515109	1μF	2 B	R25	0106472	4.7kΩ	1 C	
C03	0515109	1μF	2 B	R26	0106472	4.7kΩ	1 B	
C04	0515109	1μF	2 A	R27	0106472	4.7kΩ	1 B	
C05	0515109	1μF	2 C	R28	0106472	4.7kΩ	1 A	
C06	0515109	1μF	2 B	R29	0106822	8.2kΩ	1 C	
C07	0515109	1μF	2 B	R30	0106822	8.2kΩ	1 B	
C08	0515109	1μF	2 A	R31	0106822	8.2kΩ	1 B	
C09	0515109	1μF	2 C	R32	0106822	8.2kΩ	1 A	
C10	0515109	1μF	2 C	VR01	1032151	200kΩ (B)	Semi-Variable Resistor	
C11	0515109	1μF	2 A	VR02	1032151	200kΩ (B)		1 C
C12	0515109	1μF	2 A	VR03	1032151	200kΩ (B)		1 A
C13	0519103	0.47μF	1 C	VR04	1032151	200kΩ (B)		1 A
C14	0519103	0.47μF	1 B					
C15	0519103	0.47μF	1 B					
C16	0519103	0.47μF	1 A					

4-6. F-1483 Protector & Power Circuit Board (Stock No. 7501320 Complete Circuit Board... QRX-5500A)

Conductor Side



Parts List

Parts No.	Stock No.	Description	Position
TR01	0306131, 2	2SC1364 (6, 7)	2, 3 B
TR02	0306131, 2	2SC1364 (6, 7)	3 B
TR03	0305930, 1	2SC1211 (C, D)	2 A
TR04	0308392, 3	2SD313 (E, F)	2 A
TR05	0306070, 1 or 0306132, 3	2SC1313® (F, G) 2SC1364 (7, 8)	1 A
D01	0310340	10D-1	3 B
D02	0311070	2B2DM	2 A
D03	0310340	10D-1	3 B
D04	0310340	10D-1	2 B
D05	0311240	SR3-AM-4	3 A
D06	0311240	SR3-AM-4	3 A
D07	0311240	SR3-AM-4	3 A
D08	0311240	SR3-AM-4	3 A
D09	0310400	1N34A	2 B
D10	0310400	1N34A	2 B
D11	0310400	1N34A	2 B
D12	0310400	1N34A	2 B
D13	0310400	1N34A	2 B
D14	0310400	1N34A	2 B
ZD01	0316300	RD-12E (C)	1 A
ZD02	0315090	ZB-1-13	1 B
RL01	1150101	MY4-0-US-SA Relay	2 B
C01	0511471	470µF 10V E.C.	3 B
C02	0655103	0.01µF	2, 3 A
C03	0655103	0.01µF 500V C.C.	2 A
C04	0655103	0.01µF	3 A
C05	0655103	0.01µF	3 A
C06	0515330	33µF 50V E.C.	3 B
C07	0519302	220µF 80V E.C.	2 A
C08	0515101	100µF 50V E.C.	2 A
C09	0510471	470µF 6.3V E.C.	2, 3 B
C10	0519301	100µF 80V E.C.	1 A
C11	0515470	47µF	2 A
C12	0519103	0.47µF 50V E.C.	3 B
C13	0515109	1µF	3 B
C14	0657223	0.02µF	1 A
C15	0530470	47µF 6.3V E.C.	2 B
C16	0512470	47µF 16V E.C.	1 A
C17	0530470	47µF 6.3V E.C.	2 B
C19	0515100	10µF	1 A, B
C20	0535109	1µF 50V E.C.	2, 3 B
C23	0513221	220µF	1 B
C24	0513221	220µF	1 B
C27	0513331	330µF 25V E.C.	1 B
C28	0512221	220µF 16V E.C.	1 B
C30	0605477	0.047µF 250V M.C.	1 B
R01	0182681	680Ω ± 5% 2W Ce.R.	2 A
R02	0107479	4.7Ω ± 5% ¼W C.R.	
R04	0107562	5.6kΩ	3 B
R05	0107823	82kΩ	3 B
R06	0107562	5.6kΩ	1, 2 A
R07	0107332	3.3kΩ ± 5% ¼W C.R.	1, 2 A
R08	0107394	390kΩ	3 B
R09	0107474	470kΩ	3 B

Parts No. Stock No. Description Position

R10	0107562	5.6kΩ	1 A
R11	0107223	22kΩ	1 A
R12	0107822	8.2kΩ	1 A
R13	0107473	47kΩ	± 5% ¼W C.R. 2 B
R14	0107473	47kΩ	2 B
R15	0107473	47kΩ	2 A, B
R16	0107473	47kΩ	2 A, B
R17	0182231	300Ω ± 10% 2W Ce.R.	1 B
R18	0107332	3.3kΩ	± 5% ¼W C.R. 2 B
R19	0107332	3.3kΩ	± 5% ¼W C.R. 2 A, B
R22	0132101	100Ω ± 10% 2W Ce.R.	1, 2 A

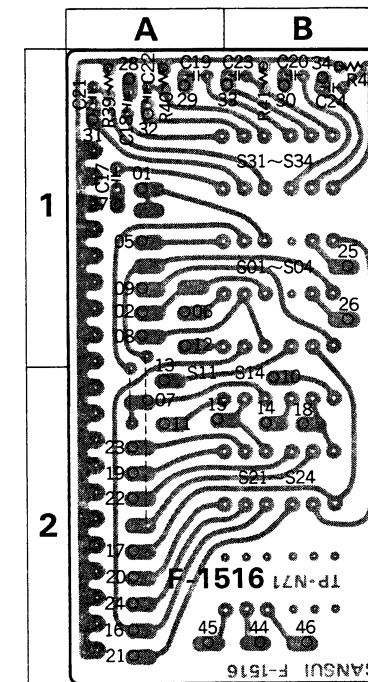
Parts No. Stock No. Description Position

R23	0104220	22Ω ± 5% 1W C.R.	1 B
R24	0107332	3.3kΩ ± 5% ¼W C.R.	2 B
R25	0107332	3.3kΩ ± 5% ¼W C.R.	2 A, B
R901	0107102	1kΩ ± 5% ¼W C.R.	
VR01	1035100	3.3kΩ (B) Solid Volume	1 A
F01	0432900, 1	5A Wired-in Fuse	3 B
F02	0432850, 1	2A Wired-in Fuse	3 A
F03	0432850, 1	2A Wired-in Fuse	3 B
F04	0432830, 1	1A Wired-in Fuse	3 B

4-7. F-1516 Accessory Circuit Board

(Stock No. 7593340 Complete Circuit Board... QRX-7500A)

Conductor Side



Parts List

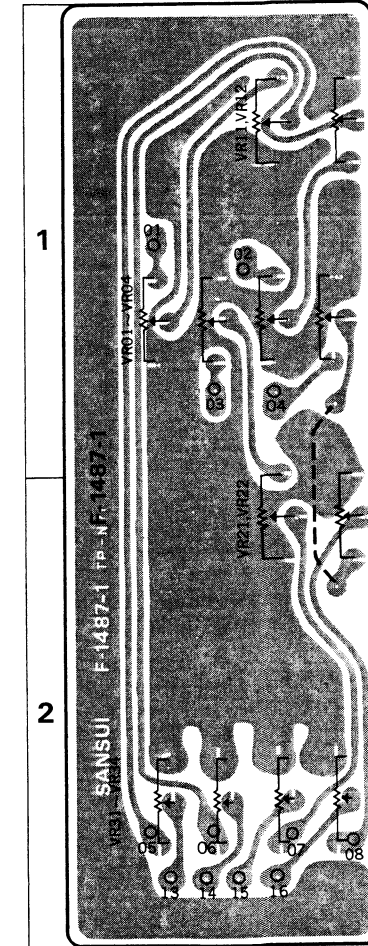
Parts No.	Stock No.	Description	Position
C17, 18	0620151	150pF	50V P.C. 1 A, 1 A
C19, 20	0620151	150pF	50V P.C. 1 A, 1 B
C21, 22	0600227	0.022µF	50V M.C. 1 A, 1 A
C23, 24	0600227	0.022µF	50V M.C. 1 B, 1 B
R39, 40	0106333	33kΩ	¼W C.R. (E.L.R) 1 A, 1 A
R41, 42	0106333	33kΩ	¼W C.R. (E.L.R) 1 B, 1 B
S31-34	1130750	SPM055D	Push Switch 1 B

4-8. F-1487 Volume Circuit Board

(Stock No. 7593270 Complete Circuit Board... QRX-5500A)

(Stock No. 7593310 Complete Circuit Board... QRX-7500A)

Conductor Side

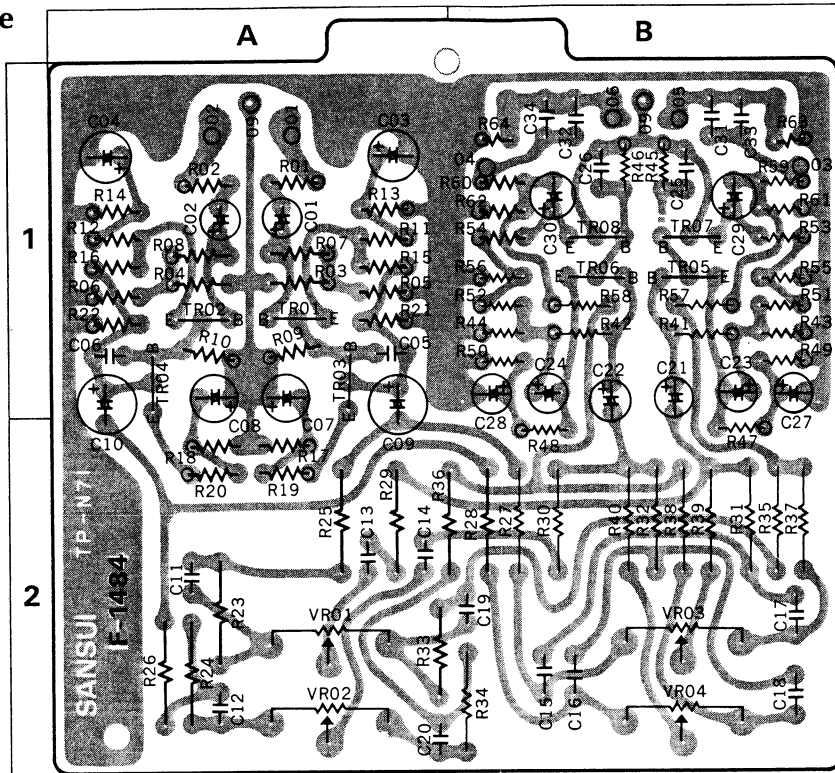


Parts List

Parts No.	Stock No.	Description	Position
VR01-04	1060250, 1	250kΩ (HB) × 4	1
VR11, 12	1010400, 1	250kΩ (HB)	Variable 1
VR21, 22	1010400, 1	250kΩ (HB)	Resistor 1, 2
VR31-34	1060240, 1	250kΩ (B) × 4	2

**4-9. F-1484 Tone Control Circuit Board** (Stock No. 7561200 Complete Circuit Board... QRX-5500A)  
(Stock No. 7561210 Complete Circuit Board... QRX-7500A)

Conductor Side



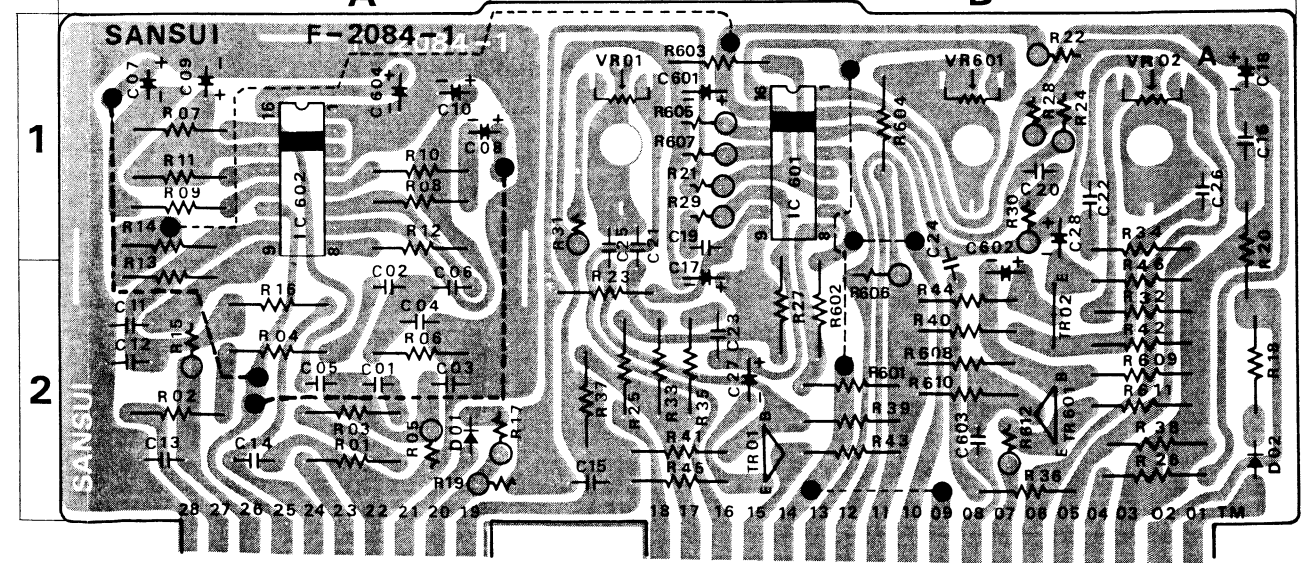
**Parts List**

Parts No.	Stock No.	Description	Position	Parts No.	Stock No.	Description	Position
TR01	0305880, 1	2SC1000 (GR, BL)	Transistor	C06	0660470	47 pF 50V C.C.	1 A
	or	or		C07	0512330	33 μF	1 A
	0306071, 2	2SC1313 (G, H)		C08	0512330	33 μF	1 A
TR02	0305880, 1	2SC1000 (GR, BL)		C09	0519102	3.3 μF	1, 2 A
	or	or		C10	0519102	3.3 μF	1, 2 A
	0336071, 2	2SC1313 (G, H)		C11	0600476	0.0047 μF	2 A
	0300450	2SA493 (GR)		C12	0600476	0.0047 μF	2 A
TR03	or	or		C13	0600826	0.0082 μF	2 A
	0300470, 1	2SA726 (F, G)	C14	0600826	0.0082 μF	2 A	
	0300450	2SA493 (GR)	C15	0600227	0.022 μF	± 5% 50V M.C.	
TR04	or	or	C16	0600227	0.022 μF	2 B	
	0300470, 1	2SA726 (F, G)	C17	0600227	0.022 μF	2 B	
	0305880	2SC1000 (GR, BL)	C18	0600227	0.022 μF	2 B	
TR05	or	or	C19	0600476	0.0047 μF	2 B	
	0306071, 2	2SC1313 (G, H)	C20	0600476	0.0047 μF	2 A	
	0305880	2SC1000 (GR, BL)	C21	0519101	1 μF	50V E.C.	
TR06	or	or	C22	0519101	1 μF	1, 2 B	
	0306071, 2	2SC1313 (G, H)	C23	0512100	10 μF	1 B	
	0305880	2SC1000 (GR, BL)	C24	0512100	10 μF	1 B	
TR07	or	or	C25	0660470	47 pF	50V C.C.	
	0306071, 2	2SC1313 (G, H)	C26	0660470	47 pF	1 B	
	0305880	2SC1000 (GR, BL)	C27	0512100	10 μF	1 B	
TR08	or	or	C28	0512100	10 μF	1 B	
	0306071, 2	2SC1313 (G, H)	C29	0519101	1 μF	50V E.C.	
			C30	0519101	1 μF	1 B	
C01	0573109	1 μF 25V T.C.	1 A	C33	0600227	0.022 μF	1 B
C02	0573109	1 μF 25V T.C.	1 A	C34	0600227	0.022 μF	50V M.C.
C03	0512470	47 μF	1 A	R01	0106102	1kΩ	1 A
C04	0512470	47 μF	1 A	R02	0106102	1kΩ	± 5% 1/4W C.R. (E.L.R.)
C05	0660470	47 pF 50V E.C.	1 A	R03	0106474	470kΩ	1 A

Parts No.	Stock No.	Description	Position	Parts No.	Stock No.	Description	Position
R04	0106474	470kΩ	1 A	R37	0107183	18kΩ	2 B
R05	0106274	270kΩ	1 A	R38	0107183	18kΩ	± 5% 1/4W C.R. 2 B
R06	0106274	270kΩ	1 A	R39	0107472	4.7kΩ	2 B
R07	0106394	390kΩ	1 A	R40	0107472	4.7kΩ	2 B
R08	0106394	390kΩ	1 A	R41	0106683	68kΩ	1 B
R09	0106183	18kΩ	1 A	R42	0106683	68kΩ	1 B
R10	0106183	18kΩ	1 A	R43	0106394	390kΩ	1 B
R11	0106102	1kΩ	1 A	R44	0106394	390kΩ	1 B
R12	0106102	1kΩ	1 A	R45	0106563	56kΩ	1 B
R13	0106123	12kΩ	± 5% 1/4W C.R. (E.L.R.) 1 A	R46	0106563	56kΩ	1 B
R14	0106123	12kΩ	1 A	R47	0106561	560Ω	± 5% 1/4W C.R. (E.L.R.) 2 B
R15	0106123	12kΩ	1 A	R48	0106561	560Ω	± 5% 1/4W C.R. (E.L.R.) 2 B
R16	0106123	12kΩ	1 A	R49	0106562	5.6kΩ	1 B
R17	0106821	820Ω	2 A	R50	0106562	5.6kΩ	1 B
R18	0106821	820Ω	2 A	R51	0106154	150kΩ	1 B
R19	0106221	220Ω	2 A	R52	0106154	150kΩ	1 B
R20	0106221	220Ω	2 A	R53	0106682	6.8kΩ	1 B
R21	0106682	6.8kΩ	1 A	R54	0106682	6.8kΩ	1 B
R22	0106682	6.8kΩ	1 A	R55	0106821	820Ω	1 B
R23	0107224	220kΩ	2 A	R56	0106821	820Ω	1 B
R24	0107224	220kΩ	2 A	R57	0106220	22Ω	1 B
R25	0107222	2.2kΩ	2 A	R58	0106220	22Ω	1 B
R26	0107222	2.2kΩ	2 A	R59	0106332	3.3kΩ	1 B
R27	0107183	18kΩ	2 B	R60	0106332	3.3kΩ	1 B
R28	0107183	18kΩ	2 B	R61	0106563	56kΩ	± 5% 1/4W C.R. (E.L.R.) 1 B
R29	0107222	2.2kΩ	± 5% 1/4W C.R. 2 A	R62	0106563	56kΩ	1 B
R30	0107222	2.2kΩ	2 B	R63	0106104	100kΩ	1 B
R31	0107472	4.7kΩ	2 B	R64	0106104	100kΩ	1 B
R32	0107472	4.7kΩ	2 B	VR01	1010980, 1	100kΩ (W) × 2	Variable Resistor 2 A
R33	0107224	220kΩ	2 A	VR02	1010980, 1	100kΩ (W) × 2	
R34	0107224	220kΩ	2 B	VR03	1010990	100kΩ (B) × 2	
R35	0107222	2.2kΩ	2 B	VR04	1010990	100kΩ (B) × 2	
R36	0107222	2.2kΩ	2 A, B				

**4-10. F-2084 QS Vario-Matrix Circuit Board** (Stock No. 7650410 Complete Circuit Board... QRX-5500A)  
(Stock No. 7650430 Complete Circuit Board... QRX-7500A)

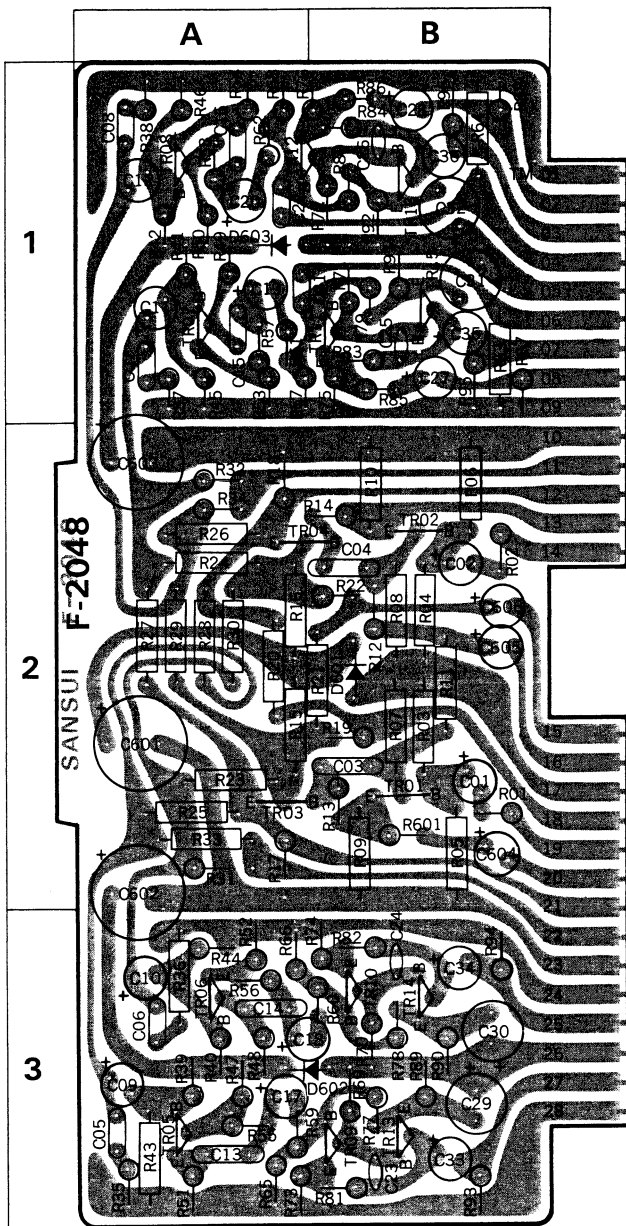
Conductor Side



**Parts List**

Parts No.	Stock No.	Description	Position	Parts No.	Stock No.	Description	Position		
TR01	0306011, 2	2SC1222 (E, F) or 2SC1312R (G, H)	} Transistor	2 B	R15	0106563	56kΩ	2 A	
					R16	0107563	56kΩ	2 A	
					R17	0106334	330kΩ	2 A	
TR02	0306011, 2	2SC1222 (E, F) or 2SC1312R (G, H)	} Transistor	2 B	R18	0107824	820kΩ	2 B	
					R19	0106394	390kΩ	2 A	
TR601	0306090, 1	2SC1312R (F, G)		2 B	R20	0107394	390kΩ	1, 2 B	
IC601	0360100	HD3103PB	} I.C.	1 B	R21	0106684	680kΩ	1 B	
IC602	0360090, 1	HA1327 (L, N)		1 A	R22	0106684	680kΩ	1 B	
D01	0311160 or 0311180	1S2473D or 1S1588	} Diode	2 A	R23	0107105	1MΩ	2 A	
					R24	0106105	1MΩ	1 B	
					R25	0107103	10kΩ	2 A	
D02	0311160 or 0311180	1S2473D or 1S1588	} Diode	2 B	R26	0107103	10kΩ	2 B	
					R27	0107683	68kΩ	2 B	
C01	0600106	0.001μF	} 50V M.C.	2 A	R28	0106683	68kΩ	1 B	
C02	0600106	0.001μF		2 A	R29	0106104	100kΩ	1 B	
C03	0620471	470pF	} 50V P.C.	2 A	R30	0106104	100kΩ	1 B	
C04	0620471	470pF		2 A	R31	0106473	47kΩ	1 A	
C05	0600106	0.001μF	} 50V M.C.	2 A	R32	0107473	47kΩ	2 B	
C06	0600106	0.001μF		2 A	R33, 34	0107153	15kΩ	2A, B, 1B	
C07	0513479	4.7μF	} 25V E.C.	1 A	R35, 36	0107331	330Ω	2 B	
C08	0513479	4.7μF		1 A	R37, 38	0107224	220kΩ	1/4W C.R. 2 A, 2 B	
C09	0513479	4.7μF	} 25V E.C.	1 A	R39	0107184	180kΩ	2 B	
C10	0513479	4.7μF		1 A	R40	0107224	220kΩ	2 B	
C11	0600687	0.068μF	} 50V M.C.	2 A	R41	0107473	47kΩ	2 A, B	
C12	0600687	0.068μF		2 A	R42	0107473	47kΩ	2 B	
C13	0600567	0.056μF	} 50V M.C.	2 A	R43	0107103	10kΩ	2 B	
C14	0600567	0.056μF		2 A	R44	0107103	10kΩ	2 B	
C15	0600187	0.018μF	} 50V M.C.	2 A	R45	0107472	4.7kΩ	2 A, B	
C16	0600187	0.018μF		1 B	R46	0107472	4.7kΩ	2 B	
C17	0513100	10μF	} 25V E.C.	2 B	R601	0107224	220kΩ	2 B	
C18	0513100	10μF		1 B	R602	0107473	47kΩ	2 B	
C19	0600226	0.0022μF	} 50V M.C.	1 B	R603	0107103	10kΩ	1 B	
C20	0600226	0.0022μF		1 B	R604	0107102	1kΩ	1 B	
C21, 22	0620681	680pF	} 50V P.C.	12, A, 1B	R605	0106103	10kΩ	1 B	
C23, 24	0600187	0.018μF		2B, 1, 2B	R606	0106332	3.3kΩ	2 B	
C25	0600477	0.047μF	} 50V M.C.	1, 2 A	R607	0106103	10kΩ	1 B	
C26	0600227	0.022μF		1 B	R608	0107224	220kΩ	2 B	
C27	0515109	1μF	} 50V E.C.	2 B	R609	0107104	100kΩ	2 B	
C28	0515109	1μF		1 B	R610	0107152	1.5kΩ	2 B	
C601	0515339	3.3μF	} 50V M.C.	1 B	R611	0107152	1.5kΩ	2 B	
C602	0519102	3.3μF		2 B	R612	0106472	4.7kΩ	2 B	
C603	0600476	0.0047μF	50V M.C.	2 B	VR01	1031520, 1	100kΩ (B)	} Semi-Variable Resistor 1 A	
C604	0513330	33μF	25V E.C.	1 A	VR02	1031520, 1	100kΩ (B)		1 B
					VR601	1031480, 1	10kΩ (B)		1 B
						5037540	Shield Plate		
						5057930	Shield Cover		
R01	0107152	1.5kΩ	} 1/4W C.R.	2 A					
R02	0107152	1.5kΩ		2 A					
R03	0107562	5.6kΩ		2 A					
R04	0107562	5.6kΩ		2 A					
R05	0106473	47kΩ		2 A					
R06	0107473	47kΩ		2 A					
R07	0107274	270kΩ		1 A					
R08	0107274	270kΩ		1 A					
R09	0107124	120kΩ		1 A					
R10	0107124	120kΩ		1 A					
R11	0107394	390kΩ		1 A					
R12	0107394	390kΩ		1 A					
R13	0107124	120kΩ		2 A					
R14	0107124	120kΩ		1 A					

**4-11. F-2048 Vario-Matrix Circuit Board** (Stock No. 7650400 Complete Circuit Board... QRX-5500A)  
 Conductor Side (Stock No. 7650420 Complete Circuit Board... QRX-7500A)



**Parts List**

Parts No.	Stock No.	Description	Position	
TR01,02	{ 0306011, 2 or 0306091, 2	2SC1222 (E, F) or 2SC1312® (G, H)	2 B	
TR03,04	{ 0306011, 2 or 0306091, 2	2SC1222 (E, F) or 2SC1312® (G, H)		2 A, B
TR05	{ 0300470 or 0300410, 1	2SA726® (F) or 2SA726® (F, G)	3 A	
TR06,07	{ 0306011, 2 or 0306091, 2	2SC1222 (E, F) or 2SC1312® (G, H)	3 A, 1 A	
TR08	{ 0300470 or 0300410, 1	2SA726® (F) or 2SA726® (F, G)		Transistor 1 A
TR09,10	{ 0306011, 2 or 0306091, 2	2SC1222 (E, F) or 2SC1312® (G, H)	3 B	
TR11,12	{ 0306011, 2 or 0306091, 2	2SC1222 (E, F) or 2SC1312® (G, H)	1 B	
TR13,14	{ 0300470 or 0300410, 1	2SA726® (F) or 2SA726® (F, G)	3 B	
TR15,16	{ 0300470 or 0300410, 1	2SA726® (F) or 2SA726® (F, G)	1 B	
D601	{ 0310870 or 0310340	SR-1-FM2 or 10D-1	2 B	
D602	{ 0300470 or 0300340	SR-1-FM2 or 10D-1		Diode 3 A, B
D603	{ 0310870 or 0310340	SR-1-FM2 or 10D-1	1 A	
C01	0519102	3.3 μF	50V E.C.	2 B
C02	0519102	3.3 μF		2 B
C03	0600107	0.01 μF	50V M.C.	2 B
C04	0600107	0.01 μF		2 B
C05	0600157	0.015 μF	50V M.C.	3 A
C06	0600157	0.015 μF		3 A
C07	0600107	0.01 μF	50V E.C.	1 A
C08	0600107	0.01 μF		1 A
C09	0519105	2.2 μF	50V E.C.	3 A
C10	0519105	2.2 μF		3 A
C11	0573108	0.1 μF	25V T.C.	1 A
C12	0573108	0.1 μF		1 A
C13	0600607	0.06 μF	50V M.C.	3 A
C14	0600607	0.06 μF		3 A
C15	0600126	0.0012 μF	25V T.C.	1 A
C16	0600686	0.0068 μF		1 A
C17	0573228	0.22 μF	25V T.C.	3 A
C18	0573228	0.22 μF		3 A, B
C19	0573228	0.22 μF	50V C.C.	1 A
C20	0573228	0.22 μF		1 A
C21	0600106	0.001 μF	± 5% 50V M.C.	1 A
C22	0600156	0.0015 μF		1 A
C23	0660470	47 pF	50V C.C.	3 B
C24	0660470	47 pF		3 B
C25	0660470	47 pF	1 B	
C26	0660470	47 pF	1 B	

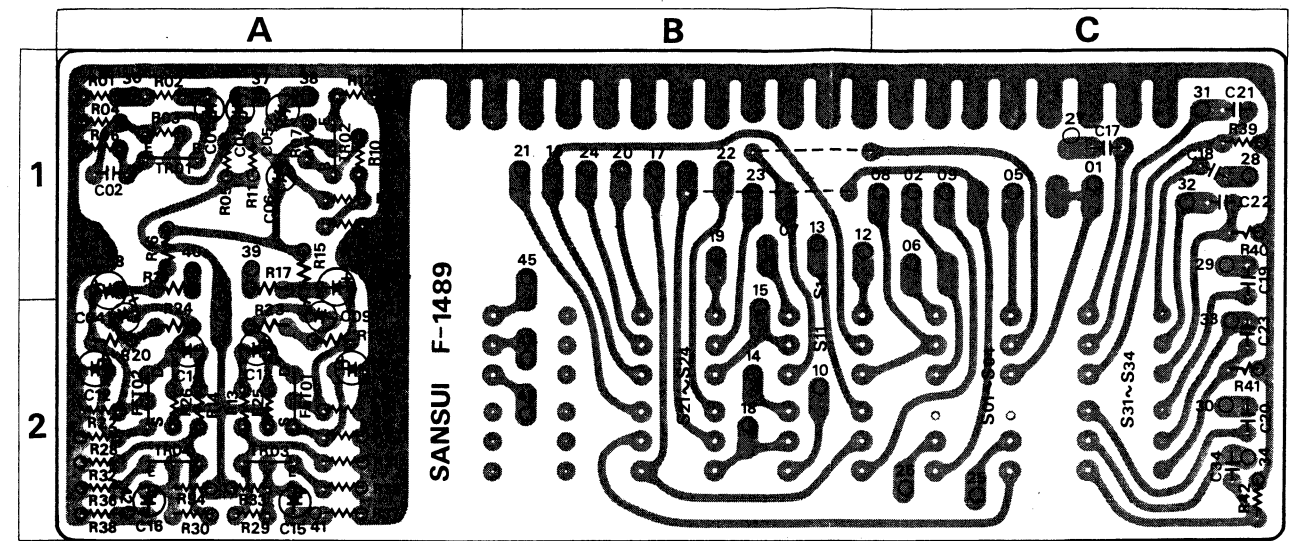
Parts No.	Stock No.	Description	Position
C27	0513100	10 $\mu$ F	1 B
C28	0513100	10 $\mu$ F	1 B
C29	0510101	100 $\mu$ F	3 B
C30	0510101	100 $\mu$ F	3 B
C31	0510101	100 $\mu$ F	1 B
C32	0510101	100 $\mu$ F	1 B
C33	0573478	0.47 $\mu$ F	3 B
C34	0573478	0.47 $\mu$ F	3 B
C35	0573478	0.47 $\mu$ F	1 B
C36	0573478	0.47 $\mu$ F	1 B
C37	0660151	150 pF	
C38	0660151	150 pF	
C39	0660151	150 pF	
C40	0660151	150 pF	
C601	0513221	220 $\mu$ F	2 A
C602	0513221	220 $\mu$ F	2, 3 A
C603	0513221	220 $\mu$ F	1, 2 A
C604	0513100	10 $\mu$ F	2 B
C605	0573108	0.1 $\mu$ F	2 B
C606	0573108	0.1 $\mu$ F	2 B
R01	0106222	2.2k $\Omega$	2 B
R02	0106222	2.2k $\Omega$	2 B
R03	0107224	220k $\Omega$	2 B
R04	0107224	220k $\Omega$	2 B
R05	0107104	100k $\Omega$	2 B
R06	0107104	100k $\Omega$	2 B
R07	0107222	2.2k $\Omega$	2 B
R08	0107222	2.2k $\Omega$	2 B
R09	0107222	2.2k $\Omega$	2 B
R10	0107222	2.2k $\Omega$	2 B
R11	0107224	220k $\Omega$	2 B
R12	0106224	220k $\Omega$	2 B
R13	0106223	22k $\Omega$	2 B
R14	0106223	22k $\Omega$	2 B
R15	0107152	1.5k $\Omega$	2 A
R16	0107152	1.5k $\Omega$	2 A
R17	0106152	1.5k $\Omega$	2 A
R18	0106152	1.5k $\Omega$	2 A
R19	0106224	220k $\Omega$	2 B
R20	0107224	220k $\Omega$	2 A
R21	0107224	220k $\Omega$	2 B
R22	0106224	220k $\Omega$	2 B
R23	0107104	100k $\Omega$	2 A
R24	0107104	100k $\Omega$	2 A
R25	0107104	100k $\Omega$	2 A
R26	0107104	100k $\Omega$	2 A
R27	0107104	100k $\Omega$	2 A
R28	0107104	100k $\Omega$	2 A
R29	0107104	100k $\Omega$	2 A
R30	0107104	100k $\Omega$	2 A
R31	0106563	56k $\Omega$	2 A
R32	0106563	56k $\Omega$	2 A
R33	0107563	56k $\Omega$	2 A
R34	0106563	56k $\Omega$	2 A
R35	0106563	56k $\Omega$	3 A
R36	0107563	56k $\Omega$	3 A
R37	0106563	56k $\Omega$	1 A
R38	0106563	56k $\Omega$	1 A
R39	0106104	100k $\Omega$	3 A
R40	0106224	220k $\Omega$	3 A
R41	0106224	220k $\Omega$	1 A
R42	0106104	100k $\Omega$	1 A

Parts No.	Stock No.	Description	Position
R43	0107224	220k $\Omega$	3 A
R44	0106104	100k $\Omega$	3 A
R45	0106104	100k $\Omega$	1 A
R46	0106224	220k $\Omega$	1 A
R47	0106682	6.8k $\Omega$	3 A
R48	0106682	6.8k $\Omega$	3 A
R49	0106682	6.8k $\Omega$	1 A
R50	0106682	6.8k $\Omega$	1 A
R51	0106682	6.8k $\Omega$	3 A
R52	0106682	6.8k $\Omega$	3 A
R53	0106682	6.8k $\Omega$	1 A
R54	0106682	6.8k $\Omega$	1 A
R55	0106223	22k $\Omega$	3 A
R56	0106223	22k $\Omega$	3 A
R57	0106153	15k $\Omega$	1 A
R58	0106153	15k $\Omega$	1 A
R59	0106223	22k $\Omega$	3 A
R60	0106223	22k $\Omega$	3 B
R61	0106223	22k $\Omega$	1 A
R62	0106223	22k $\Omega$	1 A
R63	0107104	100k $\Omega$	1 B
R64	0107104	100k $\Omega$	1 B
R65	0106154	150k $\Omega$	3 A
R66	0106154	150k $\Omega$	3 A
R67	0106154	150k $\Omega$	1 A, B
R68	0106154	150k $\Omega$	1 A
R69	0106124	120k $\Omega$	3 B
R70	0106124	120k $\Omega$	3 B
R71	0106124	120k $\Omega$	1 B
R72	0106124	120k $\Omega$	1 B
R73	0106392	3.9k $\Omega$	3 A
R74	0106392	3.9k $\Omega$	3 B
R75	0106392	3.9k $\Omega$	1 B
R76	0106392	3.9k $\Omega$	1 A, B
R77	0106824	820k $\Omega$	3 B
R78	0106824	820k $\Omega$	3 B
R79	0106824	820k $\Omega$	1 B
R80	0106824	820k $\Omega$	1 B
R81	0106123	12k $\Omega$	3 B
R82	0106123	12k $\Omega$	3 B
R83	0106123	12k $\Omega$	1 B
R84	0106123	12k $\Omega$	1 B
R85	0106123	12k $\Omega$	1 B
R86	0106123	12k $\Omega$	1 B
R87	0106104	100k $\Omega$	1 B
R88	0106104	100k $\Omega$	1 B
R89	0106122	1.2k $\Omega$	3 B
R90	0106122	1.2k $\Omega$	3 B
R91	0106122	1.2k $\Omega$	1 B
R92	0106122	1.2k $\Omega$	1 B
R93	0106104	100k $\Omega$	3 B
R94	0106104	100k $\Omega$	3 B
R95	0106104	100k $\Omega$	1 B
R96	0106104	100k $\Omega$	1 B
R601	0106822	8.2k $\Omega$	

### 4-12. F-1489 Mixing & Accessory Circuit Board

(Stock No. 7610060 Complete Circuit Board... QRX-5500A)

#### Conductor Side



#### Parts List

Parts No.	Stock No.	Description	Position	Parts No.	Stock No.	Description	Position
TR01	0305880, 1	2SC1000 (GR, BL)	1 A	R01	0106103	10k $\Omega$	1 A
	or			R02	0106102	1k $\Omega$	1 A
	0306011, 2	2SC1222 (E, F)		R03	0106394	390k $\Omega$	1 A
	or			R04	0106563	56k $\Omega$	1 A
	0306071, 2	2SC1313 (G, H)	1 A	R05	0106333	33k $\Omega$	1 A
	or			R06	0106272	2.7k $\Omega$	1 A
	0305880, 1	2SC1000 (GR, BL)		R07	0106272	2.7k $\Omega$	1 A
	or			R08	0106564	560k $\Omega$	1 A
TR02	0306011, 2	2SC1222 (E, F)	1 A	R09	0106474	470k $\Omega$	1 A
	or			R10	0106274	270k $\Omega$	1 A
	0306071, 2	2SC1313 (G, H)		R11	0106393	39k $\Omega$	1 A
	or			R13, 14	0106104	100k $\Omega$	2 A
	0305880, 1	2SC1000 (GR, BL)	2 A	R15, 16	0106104	100k $\Omega$	1 A
TR03	0306011, 2	2SC1222 (E, F)		R17, 18	0107274	270k $\Omega$	1 A
	or			R19, 20	0106474	470k $\Omega$	2 A
	0306071, 2	2SC1313 (G, H)		R21, 22	0106223	22k $\Omega$	2 A
	or		2 A	R23, 24	0106472	4.7k $\Omega$	2 A
	0305880, 1	2SC1000 (GR, BL)		R25, 26	0107104	100k $\Omega$	2 A
TR04	0306011, 2	2SC1222 (E, F)		R27	0106333	33k $\Omega$	2 A
	or			R28	0106333	33k $\Omega$	2 A
	0306071, 2	2SC1313 (G, H)	2 A	R29	0106333	33k $\Omega$	2 A
C01	0573108	0.1 $\mu$ F 35WV T.C.		R30	0106333	33k $\Omega$	2 A
C02	0657101	100 pF		S01	1130750	Push Switch	2 C
C03	0657471	470 pF					
C04	0573478	0.47 $\mu$ F	1 A				
C05	0573478	0.47 $\mu$ F					
C06	0515109	1 $\mu$ F 50V E.C.	1 A				
C07, 08	0573688	0.68 $\mu$ F 35WV T.C.	1, 2 A				
C09, 10	0510470	47 $\mu$ F 6.3V E.C.	2 A				
C11, 12	0519105	2.2 $\mu$ F 50V E.C.	2 A				
C13	0620151	150 pF	2 A				
C14	0620151	150 pF	2 A				
C15	0620151	150 pF	2 A				
C16	0620151	150 pF	2 A				
C17	0600227	0.022 $\mu$ F	1 C				
C18	0600227	0.022 $\mu$ F	1 C				
C19	0600227	0.022 $\mu$ F	1 C				
C20	0600227	0.022 $\mu$ F	2 C				

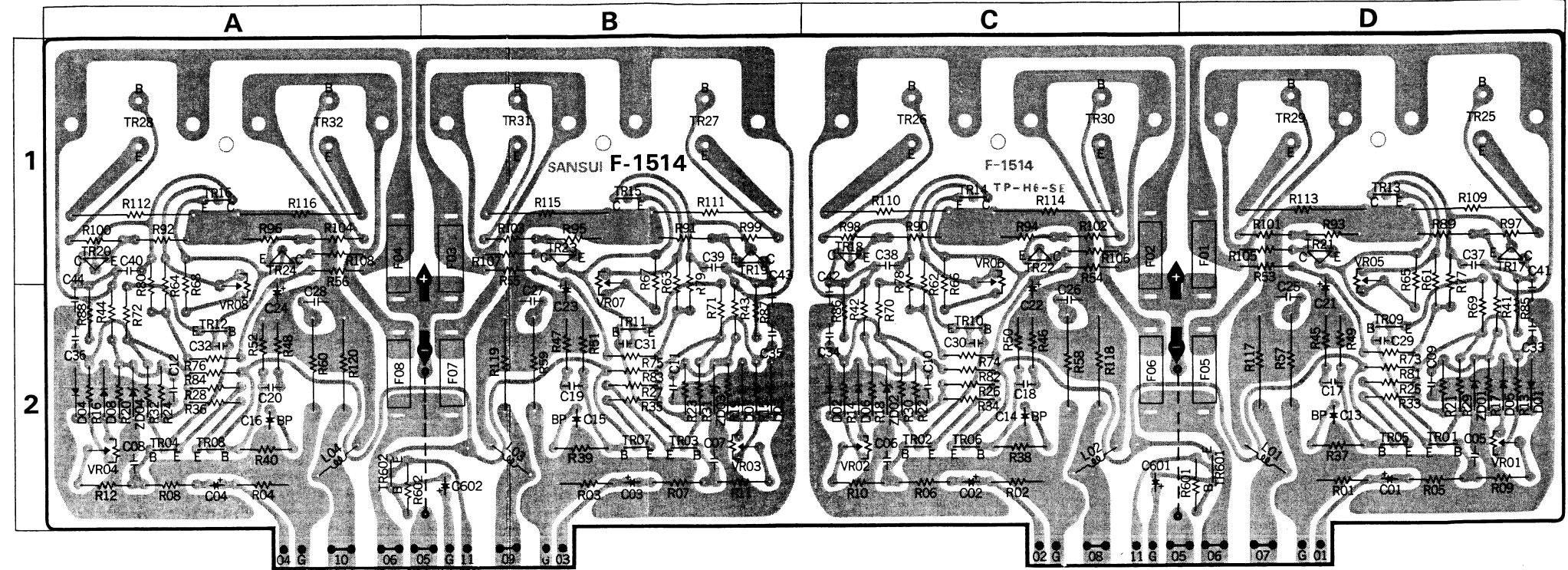


4-13. F-1514 Driver Circuit Board (Stock No. 7571230 Complete Circuit Board... QRX-7500A)

Parts List

Parts No.	Stock No.	Description	Position
TR01, 02	0300302, 3 or 0300410, 1	2SA640 (K, L) or 2SA726® (F, G)	2D.2C
TR03, 04	0300302, 3 or 0300410, 1	2SA640 (K, L) or 2SA726® (F, G)	2B.2A
TR05, 06	0300302, 3 or 0300410, 1	2SA640 (K, L) or 2SA726® (F, G)	2D.2C
TR07, 08	0300302, 3 or 0300410, 1	2SA640 (K, L) or 2SA726® (F, G)	2B.2A
TR09, 10	0306020, 1 or 0305980-2	2SC983 (O, R) or 2SC875 (D, E, F)	2D.2C
TR11, 12	0306020, 1 or 0305980-2	2SC983 (O, R) or 2SC875 (D, E, F)	2B.2A
TR13, 14	0305872	2SC984 (C)	1D.1C
TR15, 16	0305872	2SC984 (C)	1B.1A
TR17, 18	0305901	2SC1124 (2)	1D.1C
TR19, 20	0305901	2SC1124 (2)	1B.1A
TR21, 22	0300401	2SA706 (2)	1D.1C
TR23, 24	0300401	2SA706 (2)	1B.1A
TR25, 26	0305631, 2 or 0305830, 1	2SC1030 (B, C) or 2SC1111 (O, R)	1D.1C 1B.1A
TR27, 28	0305631, 2 or 0305830, 1	2SC1030 (B, C) or 2SC1111 (O, R)	1D.1C 1B.1A
TR29, 30	0300551, 2	2SA756 (B, C)	1D.1C
TR31, 32	0300551, 2 or 0300580, 1	2SA756 (B, C) or 2SA744 (O, R)	1D.1C 1B.1A
TR601	0300680	2SA733 ② (P)	
TR602	0300681	2SA733 ② (Q)	
D01, 02	0311180 or 0311160	1S1588 or 1S2473	2D.2C
D03, 04	0311180 or 0311160	1S1588 or 1S2473	2B.2A
D05, 06	0311180 or 0311160	1S1588 or 1S2473	2D.2C
D07, 08	0311180 or 0311160	1S1588 or 1S2473	2B.2A
ZD01, 02	0316300	RD-12E(C)	2D.2C
ZD03, 04	0316300	RD-12E(C)	2B.2A
L01, 02	4290210	2R5K	2D.2C
L03, 04	4290210	2R5K	2B.2A
C01, 02	0519103	0.47µF	2D.2C
C03, 04	0519103	0.47µF	2B.2A
C05, 06	0660680	68pF	2D.2C
C07, 08	0660680	68pF	2B.2A

Conductor Side



Parts No.	Stock No.	Description	Position
C09, 10	0657473	0.047µF	2D.2C
C11, 12	0657473	0.047µF	2B.2A
C13, 14	0531101	100µF	2D.2C
C15, 16	0531101	100µF	2B.2A
C21, 22	0515100	10µF	2D.2C
C23, 24	0515100	10µF	1,2B.2A
C25, 26	0600687	0.068µF	2D.2C
C27, 28	0600687	0.068µF	2B.2A
C29, 30	0660220	22pF	2D.2C
C31, 32	0660220	22pF	2B.2A
C33, 34	0657473	0.047µF	2D.2C
C35, 36	0657473	0.047µF	2B.2A
C37, 38	0660101	100pF	2D.1C
C39, 40	0660101	100pF	2B.1A
C601	0515330	33µF	2C
C602	0515330	33µF	2B
C901	0657221	220pF	2D.2C
C902	0657221	220pF	2B.2A
C903	0657221	220pF	2D.2C
C904	0657221	220pF	2B.2A
C905	0657101	100pF	2D.2C
C906	0657101	100pF	2B.2A
C907	0657101	100pF	2D.2C
C908	0657101	100pF	2B.2A
C909	0515330	33µF	2D.2C
R01, 02	0107104	100kΩ	2D.2C
R03, 04	0107104	100kΩ	2B.2A
R05, 06	0107103	10kΩ	2D.2C
R07, 08	0107103	10kΩ	2B.2A
R09, 10	0107104	100kΩ	2D.2C
R11, 12	0107104	100kΩ	2B.2A

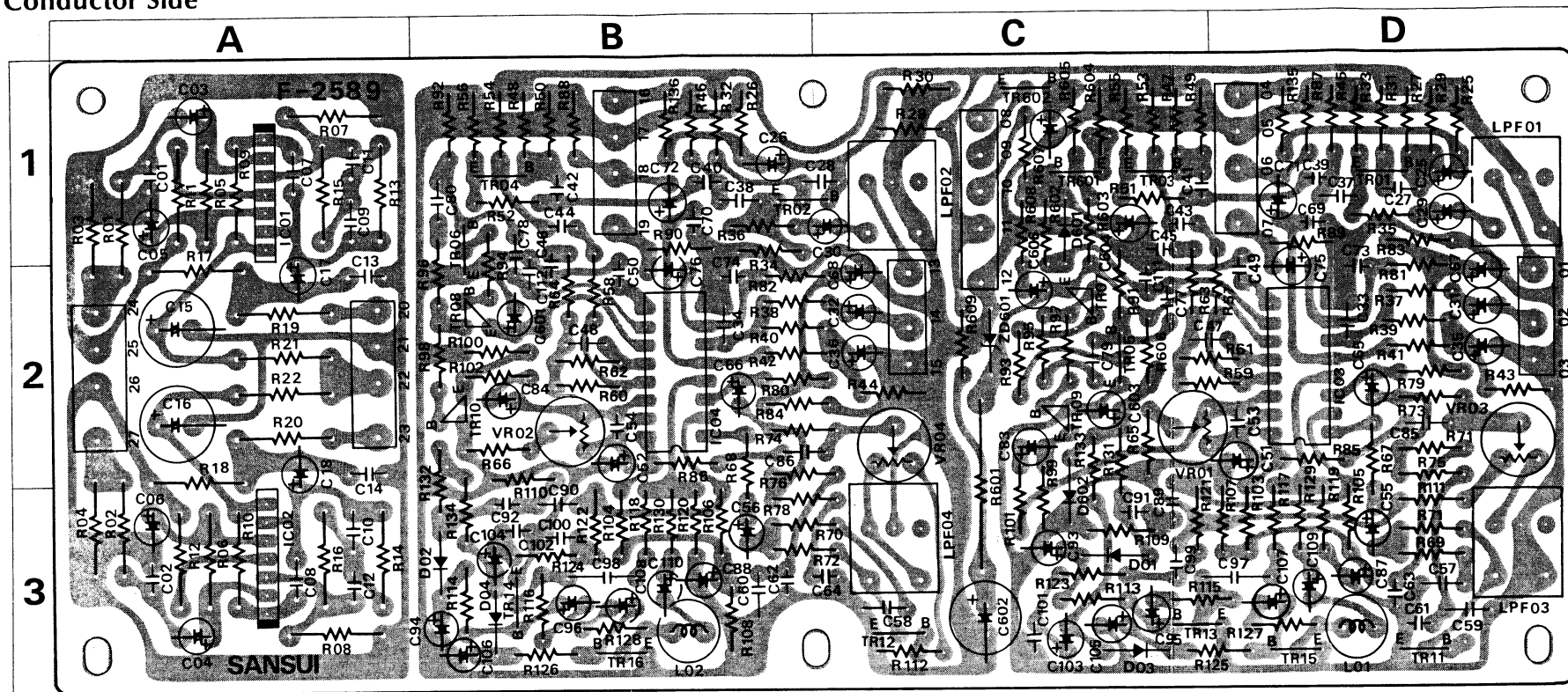
Parts No.	Stock No.	Description	Position
R13, 14	0107183	18kΩ	2D.2C
R15, 16	0107183	18kΩ	2B.2A
R17, 18	0107683	68kΩ	2D.2C
R19, 20	0107683	68kΩ	2B.2A
R21, 22	0107103	10kΩ	2D.2C
R23, 24	0107103	10kΩ	2B.2A
R25, 26	0107100	10Ω	2D.2C
R27, 28	0107100	10Ω	2B.2A
R29, 30	0107152	1.5kΩ	2D.2C
R31, 32	0107152	1.5kΩ	2B.2A
R33, 34	0107100	10Ω	2D.2C
R35, 36	0107100	10Ω	2B.2A
R37, 38	0107332	3.3kΩ	2D.2C
R39, 40	0107332	3.3kΩ	2B.2A
R41, 42	0107682	6.8kΩ	2D.2C
R43, 44	0107682	6.8kΩ	2B.2A
R49, 50	0107563	56kΩ	2D.2C
R51, 52	0107563	56kΩ	2B.2A
R53, 54	0107182	1.8kΩ	2D.1C
R55, 56	0107182	1.8kΩ	1B.1A
R57, 58	0152100	10Ω	2D.2C
R59, 60	0152100	10Ω	2B.2A
R61, 62	0107332	3.3kΩ	1,2D.1,2C
R63, 64	0107332	3.3kΩ	1,2B.1,2A
R65, 66	0107821	820Ω	1,2D.1,2C
R67, 68	0107821	820Ω	1,2B.1,2A
R69, 70	0107680	68Ω	2D.2C
R71, 72	0107680	68Ω	2B.2A
R73, 74	0107472	4.7kΩ	2D.2C
R75, 76	0107472	4.7kΩ	2B.2A
R77, 78	0107390	39Ω	1,2D.1,2C

Parts No.	Stock No.	Description	Position
R79, 80	0107390	39Ω	1,2B.1,2A
R81, 82	0107479	4.7Ω	2D.2C
R83, 84	0107479	4.7Ω	2B.2A
R89, 90	0107221	220Ω	1D.1C
R91, 92	0107221	220Ω	1B.1A
R93, 94	0107221	220Ω	1D.1C
R95, 96	0107221	220Ω	1B.1A
R97, 98	0107689	6.8Ω	1D.1C
R99, 100	0107689	6.8Ω	1B.1A
R101, 102	0107689	6.8Ω	1D.1C
R103, 104	0107689	6.8Ω	1B.1A
R109, 110	0133478	0.47Ω	1D.1C
R111, 112	0133478	0.47Ω	1B.1A
R113, 114	0133478	0.47Ω	1D.1C
R115, 116	0133478	0.47Ω	1B.1A
R117, 118	0104479	4.7Ω	2D.2C
R119, 120	0104479	4.7Ω	2B.2A
R601	0107222	2.2kΩ	2D
R602	0107222	2.2kΩ	2A
VR01, 02	1035110	4.7kΩ (B)	2D.2C
VR03, 04	1035110	4.7kΩ (B)	2B.2A
VR05, 06	1035070	1.0kΩ (B)	1,2D.1,2C
VR07, 08	1035070	1.0kΩ (B)	1,2B.1,2A
F01, 02	0433640	5A	1,2D.1,2C
F03, 04	0433640	5A	1,2B.1,2A
F05, 06	0433640	5A	2D.2C
F07, 08	0433640	5A	2B.2A



4-15. F-2589 Equalizer & CD-4 Circuit Board (Stock No. 7550760 Complete Circuit Board... QRX-7500A)

Conductor Side



Parts No. Stock No. Description Position

R35, 36	0113472	4.7kΩ	1D. 1B
R37, 38	0113103	10kΩ	2D. 2B,C
R39, 40	0113563	56kΩ	2D. 2B,C
R41, 42	0113563	56kΩ	2D. 2B,C
R43, 44	0113183	18kΩ	2D. 2C
R45, 46	0113221	220Ω	1D. 1B
R47, 48	0113274	270kΩ	1C. 1B
R49, 50	0113123	12kΩ	1C. 1B
R51, 52	0113272	2.7kΩ	1C. 1B
R53, 54	0113392	3.9kΩ	1C. 1B
R55, 56	0113101	100Ω	1C. 1B
R57, 58	0113272	2.7kΩ	1,2D. 1,2B
R59, 60	0113103	10kΩ	2C,D. 2B
R61, 62	0113103	10kΩ	2C,D. 2B
R63, 64	0113561	560Ω	1,2C. 1,2B
R65, 66	0113154	150kΩ	2C. 2B
R67, 68	0113272	2.7kΩ	2,3D. 2,3B
R69, 70	0113331	330Ω	3D. 3B,C
R71, 72	0113222	2.2kΩ	3D. 3B,C
R73, 74	0113823	82kΩ	2D. 2B,C
R75, 76	0113153	15kΩ	2,3D. 2B,C
R77, 78	0113123	12kΩ	3B. C
R79, 80	0113563	56kΩ	2D. 2B,C
R81, 82	0113473	47kΩ	2D. 2B,C
R83, 84	0113473	47kΩ	1D. 2B,C
R85, 86	0113479	4.7Ω	2D. 2B
R87, 88	0113473	47kΩ	1D. 1B
R89, 90	0113473	47kΩ	1D. 1B
R91, 92	0113103	10kΩ	1,2C. 1B
R93, 94	0113273	27kΩ	2C. 1, 2B
R95, 96	0113153	15kΩ	2C. 1, 2B
R97, 98	0113393	39kΩ	2C. 2B
R99, 100	0113122	1.2kΩ	2,3C. 2B
R101, 102	0113561	560Ω	2,3. C2B
R103, 104	0113563	56kΩ	3D. 3B
R105, 106	0113563	56kΩ	3D. 3B
R107, 108	0113153	15kΩ	3D. 3B
R109, 110	0113332	3.3kΩ	3C. 2, 3B
R111, 112	0113152	1.5kΩ	3D. 3C
R113, 114	0113103	10kΩ	3C. 3B
R115, 116	0113103	10kΩ	3C,D. 3B
R117, 118	0113331	330Ω	3D. 3B
R119, 120	0113392	3.9kΩ	3D. 3B
R121, 122	0113182	1.8kΩ	3C. 3B
R123, 124	0113272	2.7kΩ	3C. 3B
R125, 126	0113821	820Ω	3C,D. 3B
R127, 128	0113823	82kΩ	3D. 3B
R129, 130	0113821	820Ω	3D. 3B
R131, 132	0113273	27kΩ	2,3C. 2,3B
R133, 134	0113822	8.2kΩ	2,3C. 2,3B
R135, 136	0113103	10kΩ	1D. 1B
R601	0182151	150Ω	2W Ce.R.
R602	0113393	39kΩ	1, 2C
R603	0113822	8.2kΩ	1C
R604	0113824	820kΩ	1C
R605	0113472	4.7kΩ	1C
R606	0113222	2.2kΩ	1/4W S.R.
R607	0113224	220kΩ	1C
R608	0113822	8.2kΩ	1, 2C
R609	0113479	4.7Ω	2C
L01, 02	4900220	3-306379	100mH Inductor
LF01, 02	4910340	DC-13Q	Ceramic Filter
LF03, 04	0910340	DC-13Q	Ceramic Filter
VR01, 02	1035130	10kΩ(B)	Semi-Variable Resistor
VR03, 04	1035100	3.3kΩ(B)	Semi-Variable Resistor
	2410570	3020-5A 5P (5P D Type)	Pin Assy
	2410580	3020-3A 3P (3P D Type)	Pin Assy
	2410590	3020-4A 4P (4P D Type)	Pin Assy
	2410720	2461-4C 4P (4P A Type)	Pin Assy

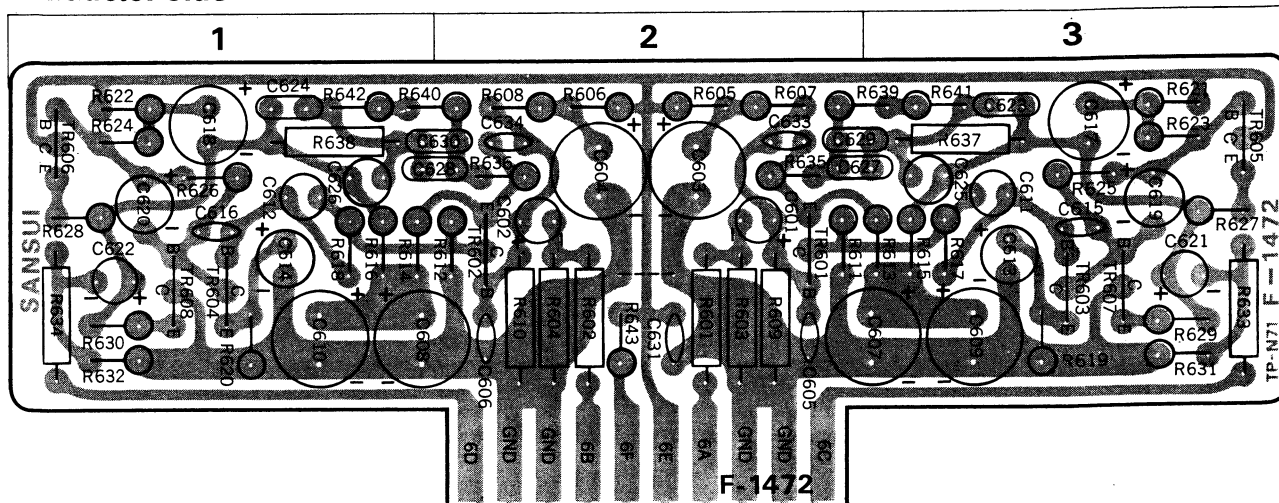
Parts List

Parts No.	Stock No.	Description	Position
TR01, 02	0306011, 2	2SC1222 (E, F)	1B
	0306070, 1	2SC1313 (F, G)	1B
TR03, 04	0306011, 2	2SC1222 (E, F)	1C. 1B
	0306070, 1	2SC1313 (F, G)	1C. 1B
TR05, 06	0305951-3	2SC945 (Q,P,K)	2C. 1, 2B
TR07, 08	0300510, 1	2SA733 (P, Q)	2C. 2B
TR09, 10	0305951-3	2SC945 (Q,P,K)	2C. 2B
TR11, 12	0305951-3	2SC945 (Q,P,K)	3B. 3C
TR13, 14	0305952	2SC945 (P)	3C,D. 3B
TR15, 16	0305952	2SC945 (P)	3B
TR601	0305951-3	2SC945 (Q,P,K)	1C
TR602	0305951-3	2SC945 (Q,P,K)	1C
IC01, 02	0360190	BA312	1A. 3A
IC03, 04	0360330	CD4, 392	2D. 2B
D01, 02	0311160	1S2473D	3C. 3B
D03, 04	0311160	1S2473D	3C. 3B
D601	0311160	1S2473D	1C
D602	0311160	1S2473D	2, 3C
ZD601	0316290	RD-12E B	2C
C01, 02	0660470	47 pF 50V C.C.	1A. 3A
C03, 04	0519102	3.3μF 50V E.C.	1A. 3A
C05, 06	0510470	47μF 6.3V E.C.	1A. 3A
C07, 08	0660150	15 pF 50V C.C.	1A. 3A
C09, 10	0600227	0.022μF 50V M.C.	1A. 3A
C11, 12	0600686	0.0068μF 50V M.C.	1A. 3A
C13, 14	0660331	330 pF 50V C.C.	2A
C15, 16	0514101	100μF 35V E.C.	2A
C17, 18	0519101	1μF 50V E.C.	1,2A,2,3A
C25, 26	0519101	1μF 50V E.C.	1C. 1B
C27, 28	0660221	220 pF 50V C.C.	1D. 1B, C

Parts No.	Stock No.	Description	Position
C29, 30	0513479	4.7μF 25V E.C.	1D. 1B,C
C31, 32	0515109	1μF 50V E.C.	2C
C33, 34	0660331	330 pF 50V C.C.	2D. 2B
C35, 36	0512100	10μF 16V E.C.	2D. 2C
C37, 38	0600477	0.047μF 50V M.C.	1D. 1B
C39, 40	0600106	0.001μF 50V M.C.	1D. 1B
C41, 42	0600106	0.001μF 50V M.C.	1C. 1B
C43, 44	0601187	0.018μF 50V M.C.	1C. 1B
C45, 46	0601187	0.018μF 50V M.C.	1C. 1,2B
C47, 48	0660151	150 pF 50V C.C.	2C,D. 2B
C49, 50	0600107	0.01μF 50V M.C.	2D. 2B
C51, 52	0512100	10μF 16V E.C.	2D. 2B
C53, 54	0600826	0.0082μF 50V M.C.	2D. 2B
C55, 56	0513479	4.7μF 25V E.C.	3D. 3B
C57, 58	0600827	0.082μF 50V M.C.	3D. 3C
C59, 60	0600567	0.056μF 50V M.C.	3D. 3B
C61, 62	0600107	0.01μF 50V M.C.	3D. 3B
C63, 64	0600826	0.0082μF 50V M.C.	3D. 3C
C65, 66	0515109	1μF 50V E.C.	2D. 2B
C67, 68	0512100	10μF 16V E.C.	2D. 2C
C69, 70	0657222	2200 pF 50V C.C.	1D. 1B
C71, 72	0519101	1μF 50V E.C.	1D. 1B
C73, 74	0657222	2200 pF 50V C.C.	2D. 2B
C75, 76	0519101	1μF 50V E.C.	1,2D. 2B
C77, 78	0601226	0.0022μF 50V M.C.	1,2C. 1,2B
C79, 80	0601277	0.027μF 50V M.C.	2C. 1B
C83, 84	0512100	10μF 16V E.C.	2C. 2B
C85, 86	0600477	0.047μF 50V M.C.	2D. 2B,C
C87, 88	0512100	10μF 16V E.C.	3D. 3B
C89, 90	0600337	0.033μF 50V M.C.	3C. 3B
C91, 92	0600187	0.018μF 50V M.C.	3C. 3B
C93, 94	0513479	4.7μF 25V E.C.	3C. 3B

Parts No.	Stock No.	Description	Position
C95, 96	0519103	0.47μF 50V E.C.	3C. 3B
C97, 98	0600188	0.18μF 50V M.C.	3C,D. 3B
C99, 100	0600397	0.039μF 50V M.C.	3C. 3B
C101, 102	0600187	0.018μF 50V M.C.	3C. 3B
C103, 104	0573228	0.22μF 35WV T.C.	3C. 3B
C105, 106	0515109	1μF 50V E.C.	3C. 3B
C107, 108	0519103	0.47μF 50V E.C.	3D. 3B
C109, 110	0573688	0.68μF 35WV T.C.	3D. 3B
C111, 112	0601336	0.0033μF 50V M.C.	2C. 2B
C601	0512100	10μF 16V E.C.	2B
C602	0513101	100μF 25V E.C.	3C
C603	0512100	10μF 16V E.C.	2C
C604	0513479	4.7μF 25V E.C.	1C
C605	0515339	3.3μF 50V E.C.	2C
C606	0519102	3.3μF 50V E.C.	2C
C501	0657223	22000 pF 50V C.C.	3C. 3B
R01, 02	0107152	1.5kΩ	1,2A,2,3A
R03, 04	0107154	150kΩ	1,2A,2,3A
R05, 06	0107104	100kΩ	1A. 3A
R07, 08	0107391	390Ω	1A. 3A
R09, 10	0107394	390kΩ	1B. 3A
R11, 12	0107330	33Ω	1/4W C.R.
R13, 14	0107154	150kΩ	1A. 3A
R15, 16	0107123	12kΩ	1A. 3A
R17, 18	0107104	100kΩ	2A. 2,3A
R19, 20	0107221	220Ω	2A
R21, 22	0107681	680Ω	2A
R25, 26	0113104	100kΩ	1D. 1B
R27, 28	0113334	330kΩ	1D. 1C
R29, 30	0113184	180kΩ	1D. 1C
R31, 32	0113101	100Ω	1D. 1B
R33, 34	0113392	3.9kΩ	1D. 1B

**4-16. F-1472 Equalizer Circuit Board** (Stock No. 7550750 Complete Circuit Board... QRX-5500A)  
**Conductor Side**

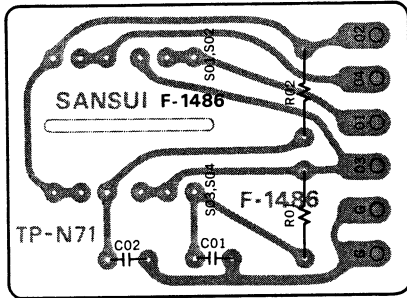


**Parts List**

Parts No.	Stock No.	Description	Position	Parts No.	Stock No.	Description	position
TR601	0300470.1	2SA726 (W)(F, G)	2	R603	0107683	68kΩ	2
TR602	0300470.1	2SA726 (W)(F, G)	2	R604	0107683	68kΩ	2
TR603	0305766.7	2SC632A (W) (71, 81)	3	R605	0106474	470kΩ	2
		or 0306071.2		2SC1313R (G, H)	R606	0106474	470kΩ
TR604	0305766.7	2SC632A (W) (71, 81)	1	R607	0106334	330kΩ	2
		or 0306071.2		2SC1313R (G, H)	R608	0106334	330kΩ
TR605	0306141.2	2SC1362 (71, 81)	3	R609	0107394	390kΩ	2
TR606	0306141.2	2SC1362 (71, 81)	1	R610	0107394	390kΩ	2
TR607	0300680.1	2SA733 (P, Q)	3	R611	0106123	12kΩ	2
TR608	0300680.1	2SA733 (P, Q)	1	R612	0106123	12kΩ	2
C601	0573229	2.2μF	2	R613	0106821	820Ω	3
C602	0573229	2.2μF	2	R614	0106821	820Ω	1
C603	0513330	33μF	2	R615	0106334	330kΩ	3
C604	0513330	33μF	2	R616	0106334	330kΩ	1
C605	0660330	33pF	2	R617	0106122	1.2kΩ	3
C606	0660330	33pF	2	R618	0106122	1.2kΩ	1
C607	0512101	100μF	2, 3	R619	0106222	2.2kΩ	3
C608	0512101	100μF	1, 2	R620	0106222	2.2kΩ	1
C609	0513470	47μF	3	R621	0106103	10kΩ	3
C610	0513470	47μF	1	R622	0106103	10kΩ	1
C611	0620681	680pF	3	R623	0106473	47kΩ	3
C612	0620681	680pF	1	R624	0106473	47kΩ	1
C613	0511330	33μF	3	R625	0106332	3.3kΩ	3
C614	0511330	33μF	1	R626	0106332	3.3kΩ	1
C615	0660220	22pF	3	R627	0106680	68Ω	3
C616	0660220	22pF	1	R628	0106680	68Ω	1
C617	0515100	10μF	3	R629	0106680	68Ω	3
C618	0515100	10μF	1	R630	0106680	68Ω	1
C619	0511330	33μF	3	R631	0106104	100kΩ	3
C620	0511330	33μF	1	R632	0106104	100kΩ	1
C621	0519101	1μF	3	R633	0107681	680Ω	3
C622	0519101	1μF	1	R634	0107681	680Ω	1
C623	0600226	0.0022μF	3	R635	0106101	100Ω	2
C624	0600226	0.0022μF	1	R636	0106101	100Ω	2
C625	0620821	820pF	3	R637	0107273	27kΩ	3
C626	0620821	820pF	1	R638	0107273	27kΩ	1
C627	0600107	0.01μF	3	R639	0106274	270kΩ	2, 3
C628	0600107	0.01μF	1	R640	0106274	270kΩ	1, 2
C631	0657223	0.022μF	2	R641	0106393	39kΩ	3
R601	0107222	2.2kΩ	2	R642	0106393	39kΩ	1
R602	0107222	2.2kΩ	2	R901	0107184	180kΩ	3
				R902	0107184	180kΩ	3

### 4-17. F-1486 Filter Circuit Board Conductor Side

(Stock No. 7593210 Complete Circuit Board....QRX-5500A)  
(Stock No. 7593300 Complete Circuit Board....QRX-7500A)



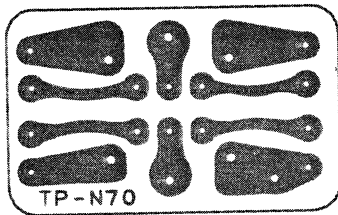
#### Parts List

Parts No.	Stock No.	Description
C01	0600187	0.018 $\mu$ F } $\pm 5\%$ 50V M.C.
C02	0600187	
R01	0107824	820k $\Omega$ } $\pm 5\%$ 1/4W C.R.
R02	0107824	
S01-04	1130760	Push Switch

### 5-18. F-1490 De-emphasis Circuit Board

(Stock No. 7593240 Complete Circuit Board....QRX-5500A)  
(Stock No. 7593280 Complete Circuit Board....QRX-7500A)

Conductor side



#### Parts List

Parts No.	Stock No.	Description
C01	0600686	0.0068 $\mu$ F } $\pm 5\%$ 50V M.C.
C02	0600686	
S01, 02	1110240	Slide Switch

### 5-19. Figures

Transistor & IC

Diode

SEMICONDUCTORS	COMPLETE CIRCUIT BOARD	SEMICONDUCTORS	COMPLETE CIRCUIT BOARD	SEMICONDUCTORS	COMPLETE CIRCUIT BOARD	SEMICONDUCTORS	COMPLETE CIRCUIT BOARD
2SC1364 2SC1047 2SC945 2SC1362 2SA733 2SC1222 2SC1362 2SA640	F-1515 F-1517 F-1483 F-2589 F-1472 F-1514 F-1485 F-2084 F-1484	2SD315 2SC1030 2SC1111 2SA756 2SA744	F-1515 F-1514	1N34A 1N60	F-1515 F-1485 F-1517	2B2DM	F-1515 F-1483
2SC403 2SC632A	F-1517 F-1472	2SA562 2SC1000 2SA393	F-1517 F-1484	10D-1	F-1515 F-2048	1S1007	F-1517
2SC710 2SC738 2SC711 2SA697 2SC1312 2SC1313 2SA726 2SC1211	F-1517 F-2084 F-2589 F-1485 F-1484 F-1483 F-1472	2SC983	F-1514 F-1515	DS-430	F-1514 F-1517	1S953	F-1517
2SC930	F-1517	BA-312	F-2589	SR1FM-2 SR3AM-4 SR3AM-6 SR3AM-8 SR3AM-10 SR3AM-12 EQB01-18 EQB01-13	F-2084 F-1514 F-2589 F-2048 F-1515 F-1483	RD-12E RD-19A	F-2589 F-1515 F-1514
2SC875	F-1514	$\mu$ PC555H	F-1517				
2SD313	F-1483	$\mu$ PC554C	F-1517				
2SC1124 2SA706	F-1514	HA1327 CD4-392	F-2084 F-2589				

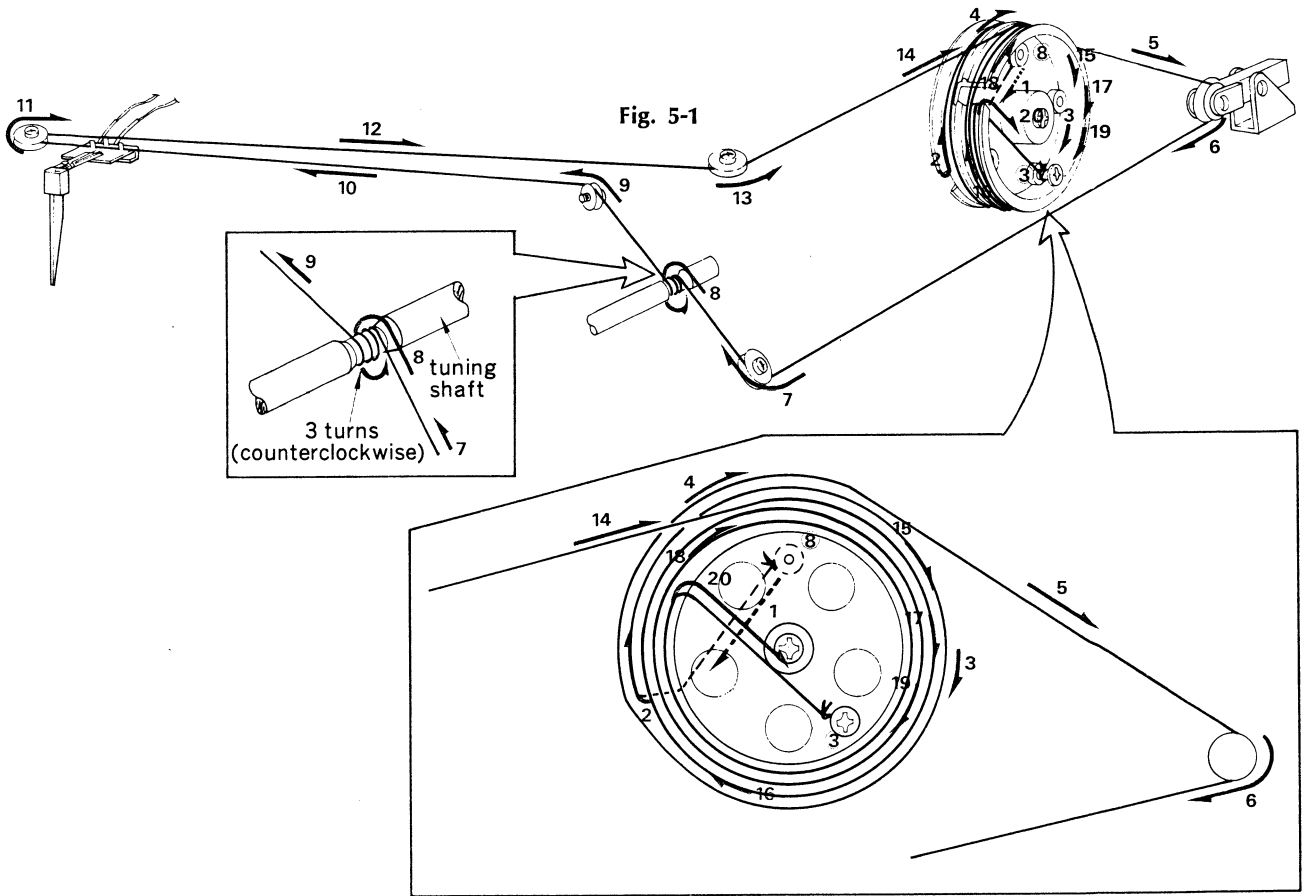
Abbreviations

- C.R. : Carbon Resistor
- S.R. : Solid Resistor
- Ce.R. : Cement Resistor
- M.R. : Metallized Film Resistor
- M.C. : Mylar Capacitor
- E.C. : Electrolytic Capacitor
- BP.E.C.: Bi-Polar Electrolytic Capacitor
- C.C. : Ceramic Capacitor
- M.I.C. : Mica Capacitor
- O.C. : Oil Capacitor
- P.C. : Polystyrene Capacitor
- T.C. : Tantalum Capacitor

## 5. THREADING OF DIAL CORD

\* If dial cord cut off is or slips, replace cord by following procedures. As QRX-5500A, QRX-7500A is using 0.6 mmφ cord, please replace it with same type certainly.

\* Length of dial cord . . . . . approx. 210cm (82.7 inch)



### 1. How to Thread Dial Cord

\* Thread dial cord in numerical order from 1 to 20 as shown in Fig. 4-1.

- 1) Close the variable capacitor completely (Maximum capacitance).
- 2) Tie cord to number ⑧ screw of the dial pulley and thread cord in direction of arrow from 1 to 7 toward tuning shaft 8.
- 3) After 8, wind cord three turns around the tuning shaft counterclockwise and thread it in direction of arrow from 9 to 19.
- 4) After 20, tie cord to number ③ screw of the pulley.

\* In order to proceed with the above procedure 4) successfully, please follow the instruction under-mentioned.

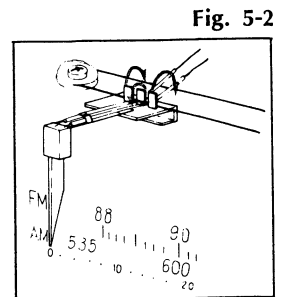
- (1) To strengthen the dial cord's tension, hold around the end of cord and pull it toward the Front Panel.
- (2) Then, turn the tuning shaft counterclockwise, as cord's tension will be more constantly obtained.
- (3) Tie the cord to number ③ screw of the pulley (same as procedure 4).

5) After these procedures, lock the knots of cord with paint.

### 2. Attachment of Dial Pointer

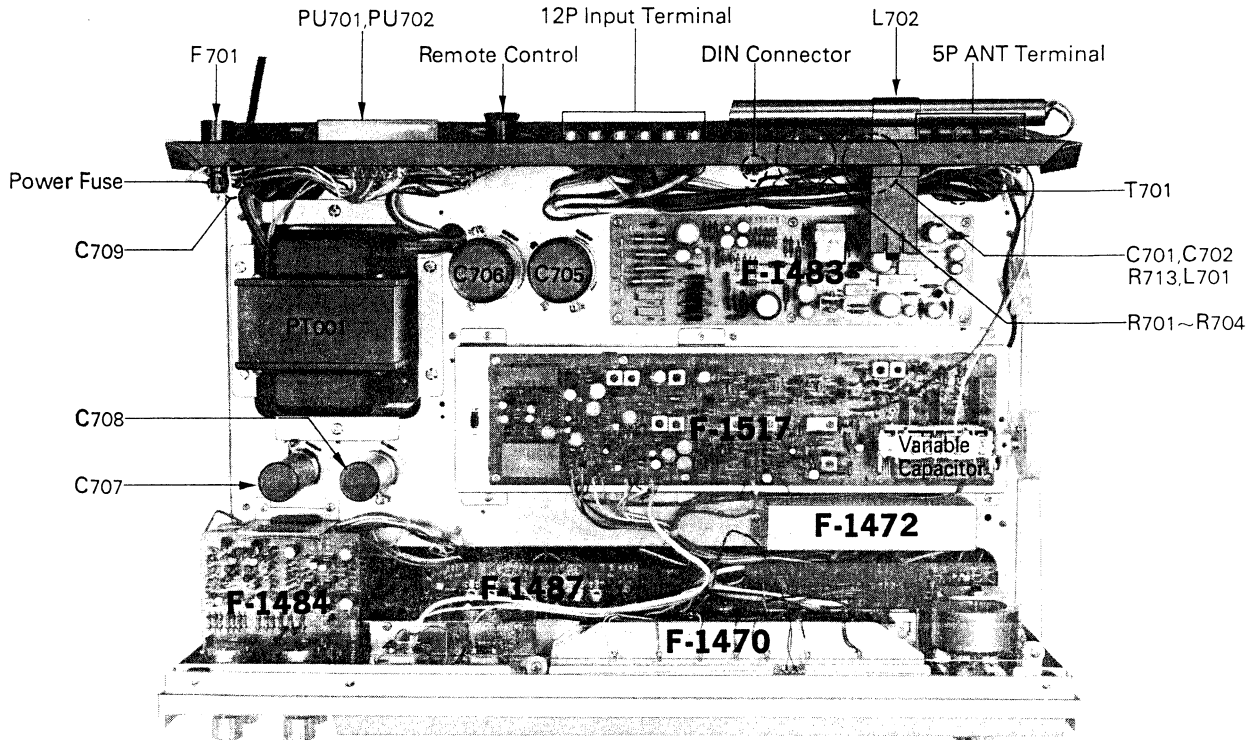
- 1) Close the variable capacitor completely (Maximum capacitance).
- 2) Set the dial pointer to "0" on dial scale and tighten the dial pointer ass'y. (See Fig. 4-2)

\* Make sure that the dial mechanism operates smoothly by turning the Tuning knob.



Stock No.	Description
6036050	Dial Cord 0.6mmφ

## 6-1. Other Parts (Top Side)/QRX-5500A

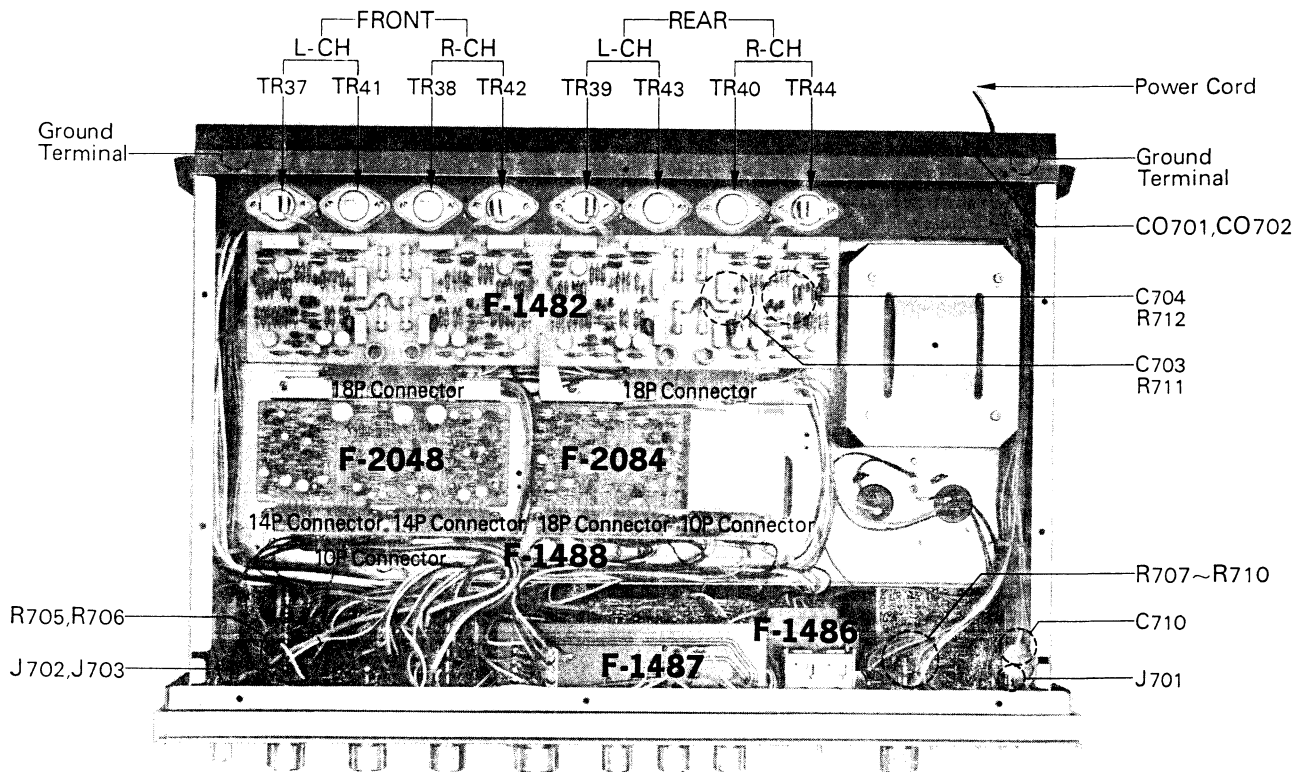


### Parts List

Parts No.	Stock No.	Description
C701	0657473	0.047 $\mu$ F } 50V C.C.
C702	0657473	0.047 $\mu$ F }
C705	0559107	10000 $\mu$ F } 35V E.C.
C706	0559107	10000 $\mu$ F }
C707	0559501	1000 $\mu$ F } 63V E.C.
C708	0559501	1000 $\mu$ F }
C709	0605477	0.047 $\mu$ F 250V M.C.
R701	0107104	100k $\Omega$ } $\pm 5\%$ $\frac{1}{4}$ W C.R.
R702	0107184	180k $\Omega$ }
R703	0107184	180k $\Omega$ }
R704	0107104	100k $\Omega$ }
R713	0111221	220 $\Omega$ $\frac{1}{2}$ W S.R.
R714	0150331	330 $\Omega$ 10W Ce.R.
L701	4290030	1 $\mu$ H Coil
L702	4200550	Bar Antenna Coil
T701	4290021	75 $\Omega$ : 300 $\Omega$ FM Balun
F701	2300060	Fuse Holder
	0431290, 2	6A Power Fuse (100V, 117V)
	0431310	3.5A Power Fuse (220, 240V)

Parts No.	Stock No.	Description
PU701	2410090	Voltage Selector, plug
PU702	2410080	Voltage Selector, socket
PT001	4001360	Power Transformer
	2430040	DIN Connector
	2010020	9P Remote Control Socket
	2410540	9P Remote Control Dummy Plug
	2290170	5P Antenna Terminal
	2200360	12P Input Terminal

## 6-2. Other Parts (Bottom Side)/QRX-5500A



### Parts List

Parts No.	Stock No.	Description
TR37	0305631	2SC1030 (B)
TR38	0305631	2SC1030 (B)
TR39	0305631	2SC1030 (B)
TR40	0305631	2SC1030 (B)
TR41	0300551	2SA756 (B)
TR42	0300551	2SA756 (B)
TR43	0300551	2SA756 (B)
TR44	0300551	2SA756 (B)
		} Transistor
C703	0655103	0.01 $\mu$ F } 500V C.C.
C704	0655103	0.01 $\mu$ F }
C710	0659801	0.01 $\mu$ F 1.4kV C.C.
R705	0107473	47k $\Omega$ } $\pm 5\%$ 1/4W C.R.
R706	0107473	47k $\Omega$ }
R707	0202331	330 $\Omega$ }
R708	0202331	330 $\Omega$ }
R709	0202331	330 $\Omega$ }
R710	0202331	330 $\Omega$ }
R711	0202562	5.6k $\Omega$ }
R712	0202562	5.6k $\Omega$ }
		} 2W M.R.

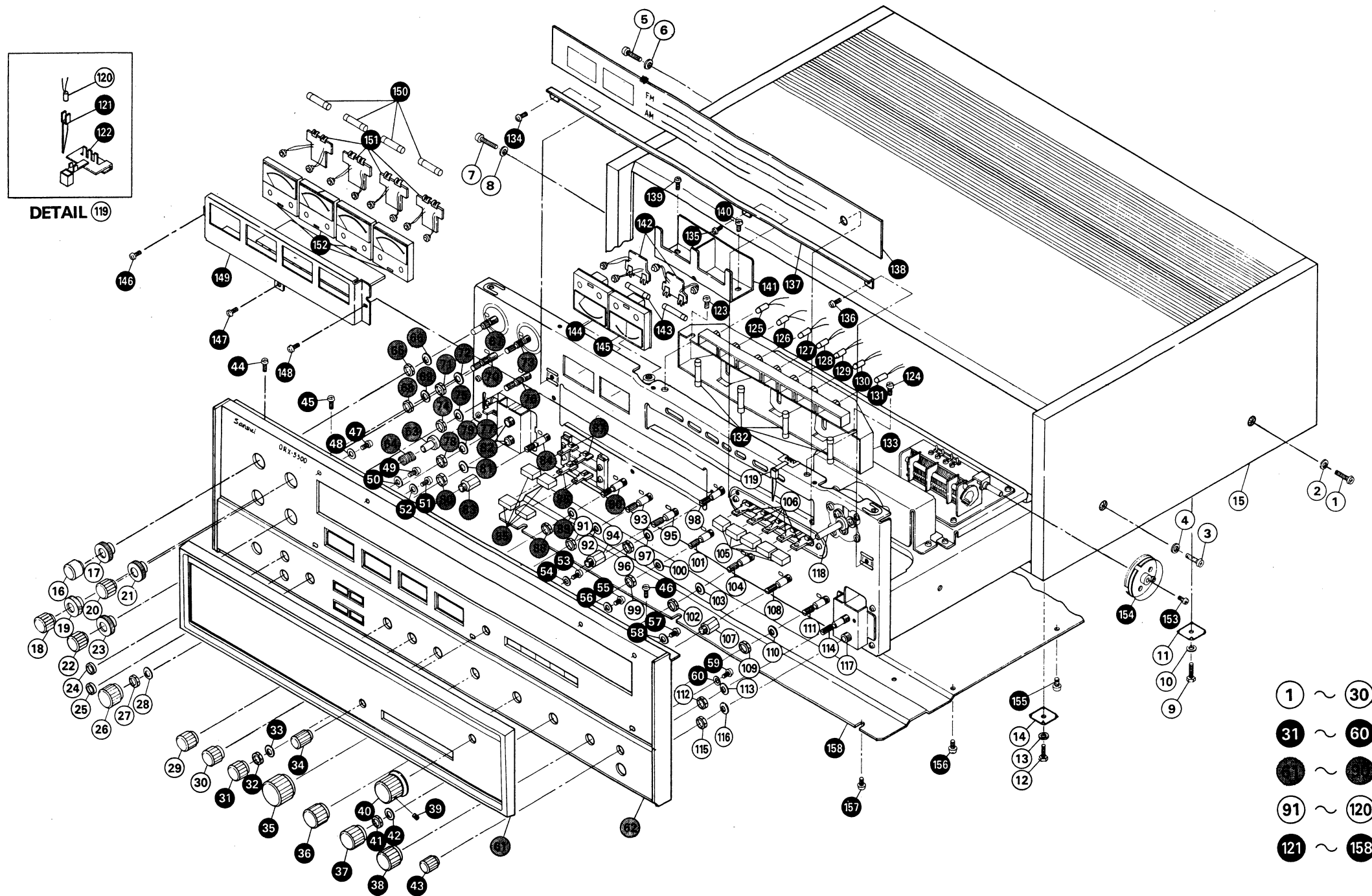
Parts No.	Stock No.	Description
CO701, 702	2450040	AC outlet
J701	2430170	Microphone Jack
J702	2430200	Headphone Jack
J703	2430200	Headphone Jack
	3800261	KP-205 Power Cord
	2420030	10P Connector
	2420150	14P Connector
	2420020	18P Connector
	2230050	Ground Terminal



### 6-3. Other Parts (Front Side)/QRX-5500A

#### Parts List

Parts No.	Stock No.	Description	Parts No.	Stock No.	Description
1	5101173	Binding Head Screw, M4 × 45	61	{5308891	Smoked Plate Frame
2	5186110	Plain Washer, 4φ		{5047680	Smoked Plate
3	5101173	Binding Head Screw, M4 × 45	62	7007180	Front Panel
4	5186110	Plain Washer, 4φ	63	7106083	Push Button, POWER switch
5	5101173	Binding Head Screw, M4 × 45	64	6906031	Spring, POWER switch
6	5186110	Plain Washer, 4φ	65		Hex. Nut, M11
7	5101173	Binding Head Screw, M4 × 45	66		Plain Washer, 11φ
8	5186110	Plain Washer, 4φ	67	1020240, 1	100kΩ (B) × 2 BASS Volume
9	5104571	Hexagon Head Bolts, M4 × 23	68		Hex. Nut, M11
10	5121360	Spring Washer, 4φ	69		Plain Washer, 11φ
11	5186091	Nail Washer	70	1020240, 1	100kΩ (B) × 2 BASS Volume
12	5104571	Hexagon Head Bolts, M4 × 23	71		Hex. Nut, M11
13	5121360	Spring Washer, 4φ	72		Plain Washer, 11φ
14	5186091	Nail Washer	73	1020250, 1	100kΩ (W) × 2 TREBLE Volume
15	5726823	Wood Case	74		Hex. Nut, M11
16	5317671	WO-1 Type Knob, BASS volume	75		Plain Washer, 11φ
17	5317682	WI-1 Type Knob, BASS volume	76	1020250, 1	100kΩ (W) × 2 TREBLE Volume
18	5317671	WO-1 Type Knob, BASS volume	77	1130350	Push Switch, POWER switch
19	5317682	WI-1 Type Knob, BASS volume	78		Hex. Nut, M9
20	5317671	WO-1 Type Knob, TREBLE volume	79		Plain Washer, 9φ
21	5317682	WI-1 Type Knob, TREBLE volume	80		Hex. Nut, M9
22	5317671	WO-1 Type Knob, TREBLE volume	81		Plain Washer, 9φ
23	5317682	WI-1 Type Knob, TREBLE volume	82	2430200	Headphone Jack
24	5176052	Jack Nut	83	5236491	Spacer Nut, M9
25	5176052	Jack Nut	84	1102500, 1	Rotary Switch Y-224, 244, SPEAKER switch
26	5317642	M-2 Type Knob, SPEAKER switch	85	5326380	Push Button, LOW & HIGH FILTER switch
27		Hex. Nut, M9	86	1130760	Push Switch (2 Stage)
28		Plain Washer, 9φ	87	1130760	Push Switch (2 Stage)
29	5317652	S-2 Type Knob, BALANCE volume	88		Hex. Nut, M8
30	5317652	S-2 Type Knob, BALANCE volume	89		Plain Washer, 8φ
31	5317652	S-2 Type Knob, BALANCE volume	90	1010400, 1	250kΩ (HB) BALANCE Volume
32		Hex. Nut, M9	91		Hex. Nut, M8
33		Plain Washer, 9φ	92		Plain Washer, 8φ
34	5317811	P-5 Type Knob, LEVEL SET volume	93	1060250, 1	250kΩ (HB) × 4 BALANCE Volume
35	5317632	L-2 Type Knob, VOLUME	94	5236461	Spacer Nut, M8
36	5317642	M-2 Type Knob, FUNCTION switch	95	1010400, 1	250kΩ (HB) BALANCE Volume
37	5317642	M-2 Type Knob, DIRECTION switch	96		Hex. Nut, M8
38	5317642	M-2 Type Knob, SELECTOR switch	97		Plain Washer, 8φ
39	5106061	Hex. Socket Setscrew, M4 × 6	98	1060260, 1	250kΩ (B) × 4 LEVEL SET Volume
40	5317780	N-5 Type Knob, TUNING	99		Hex. Nut, M9
41		Hex. Nut, M9	100		Plain Washer, 9φ
42		Plain Washer, 9φ	101	1060240, 1	250kΩ (B) × 4 VOLUME
43	5317811	P-5 Type Knob, MIC. MIXING LEVEL volume	102		Hex. Nut, M9
44	5101043	Binding Head Screw, M3 × 6	103		Plain Washer, 9φ
45	5101043	Binding Head Screw, M3 × 6	104	1106120	Rotary Switch Y-6217, FUNCTION switch
46	5101043	Binding Head Screw, M3 × 6	105	5326380	Push Button, accessory switch
47	5101042	Binding Head Screw, M3 × 5	106	1130750	Push Switch (5 Stage)
48	5120141	Plain Washer, 3φ	107	5236491	Spacer Nut, M9
49	5101042	Binding Head Screw, M3 × 5	108	1102510	Rotary Switch Y-244, DIRECTION switch
50	5120141	Plain Washer, 3φ	109		Hex. Nut, M9
51	5101042	Binding Head Screw, M3 × 5	110		Plain Washer, 9φ
52	5120141	Plain Washer, 3φ	111	1107020	Rotary Switch Y-7177, SELECTOR switch
53	5101042	Binding Head Screw, M3 × 5	112		Hex. Nut, M7
54	5120141	Plain Washer, 3φ	113		Plain Washer, 7φ
55	5101042	Binding Head Screw, M3 × 5	114	1060280	250kΩ (B) × 2, 50kΩ (B) × 2 MIC, MIXING LEVEL Volume
56	5120141	Plain Washer, 3φ	115		Hex. Nut, M12
57	5101042	Binding Head Screw, M3 × 5	116		Plain Washer, 12φ
58	5120141	Plain Washer, 3φ	117	2430170	Microphone Jack
59	5101042	Binding Head Screw, M3 × 5	118	7036361	Tuning Ass'y
60	5120141	Plain Washer, 3φ			



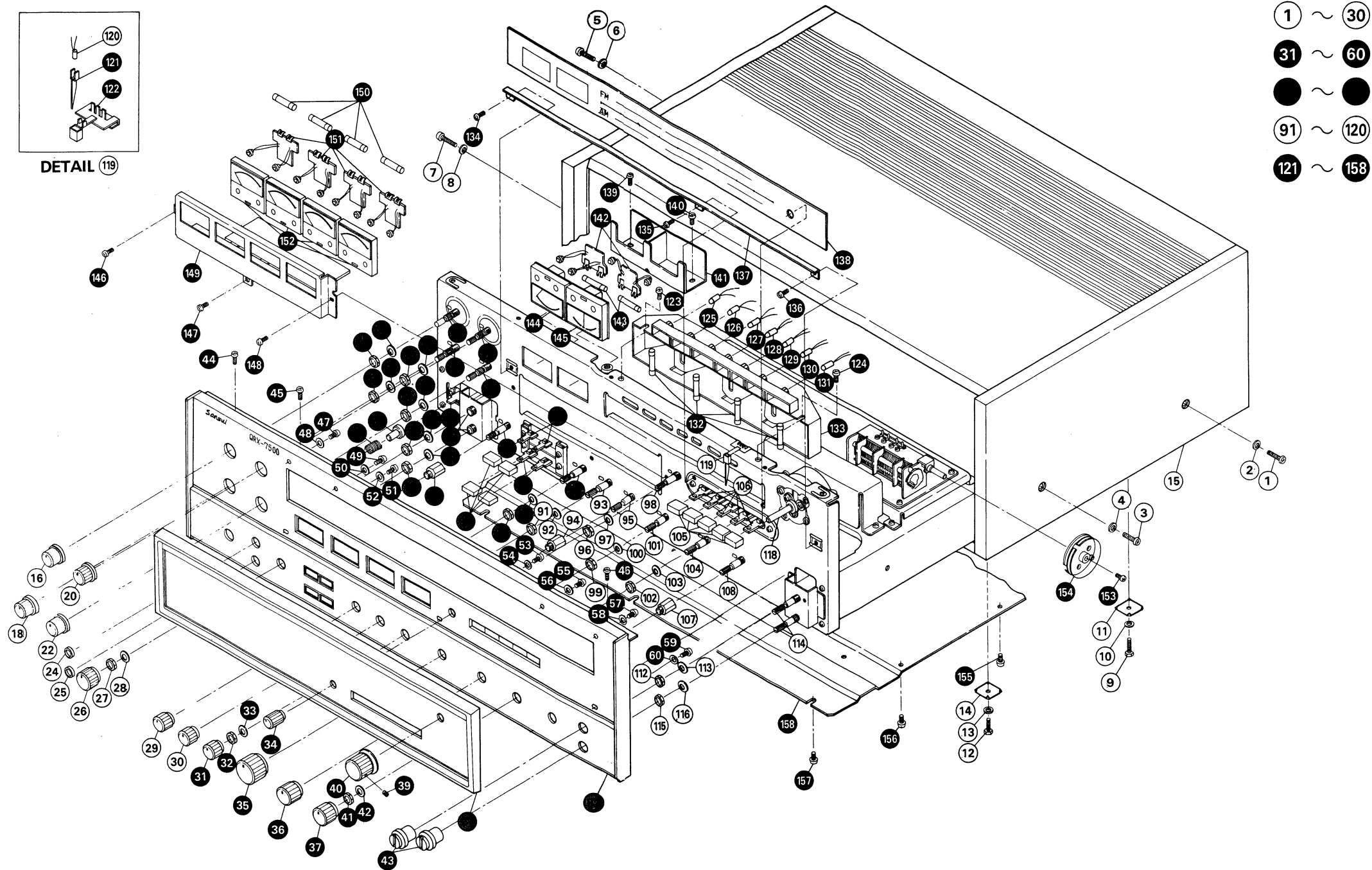
Parts No.	Stock No.	Description
119		Dial Pointer Ass'y
120	0400200	Pilot Lamp, lead type (6.3V 75mA)
121	5416300	Dial Pointer
122	5416300	Holder, dial pointer
123	5109122	Binding Head Tapping Screw, M3 x 8
124	5109122	Binding Head Tapping Screw, M3 x 8
125	0400300	Lead Type Lamp (7V 100mA), STEREO indicator
126	0400310	Lead Type Lamp (7V 100mA), PHONO-2 indicator
127	0400330	Lead Type Lamp (7V 100mA), PHONO-1 indicator

Parts No.	Stock No.	Description
128	0400300	Lead Type Lamp (7V 100mA), FM indicator
129	0400290	Lead Type Lamp (7V 100mA), AM indicator
130	0400320	Lead Type Lamp (7V 100mA), AUX-1 indicator
131	0400310	Lead Type Lamp (7V 100mA), AUX-2 indicator
132	0420040	Fuse Type Lamp (7V 300mA)
133	5066211	Indicator Box
134	5109122	Binding Head Tapping Screw, M3 x 8
135	5109122	Binding Head Tapping Screw, M3 x 8

Parts No.	Stock No.	Description
136	5109122	Binding Head Tapping Screw, M3 x 8
137	5269240	Stopper, dial scale
138	5407940	Dial Scale
139	5109122	Binding Head Tapping Screw, M3 x 8
140	5109122	Binding Head Tapping Screw, M3 x 8
141	5269250	Holder, tuning & signal meter
142	7726050	Meter Lamp Unit
143	0420040	Fuse Type Lamp (7V 300mA)
144	4300740	Signal Meter
145	4300750	Tuning Meter
146	5109122	Binding Head Tapping Screw, M3 x 8
147	5109122	Binding Head Tapping Screw, M3 x 8

Parts No.	Stock No.	Description
148	5109122	Binding Head Tapping Screw, M3 x 8
149	5269261	Holder, level meter
150	0420040	Fuse Type Lamp (7V 300mA)
151	7726050	Meter Lamp Unit
152	4300860	Level Meter
153	5101123	Binding Head Screw, M2.6 x 6
154	6146670	Dial Pulley
155	5101161	Binding Head Screw, M4 x 6
156	5101161	Binding Head Screw, M4 x 6
157	5101161	Binding Head Screw, M4 x 6
158	5058100	Bottom Plate

6-4. Other Parts (Front Side)/QRX-7500A



Parts List

Parts No.	Stock No.	Description
1	5101173	Binding Head Screw, M4 × 45
2	5186110	Plain Washer, 4φ
3	5101173	Binding Head Screw, M4 × 45
4	5186110	Plain Washer, 4φ
5	5101173	Binding Head Screw, M4 × 45
6	5186110	Plain Washer, 4φ
7	5101173	Binding Head Screw, M4 × 45

Parts No.	Stock No.	Description
8	5186110	Plain Washer, 4φ
9	5104571	Hexagon Head Bolts, M4 × 23
10	5121360	Spring Washer, 4φ
11	5186091	Nail Washer
12	5104571	Hexagon Head Bolts, M4 × 23
13	5121360	Spring Washer, 4φ
14	5186091	Nail Washer

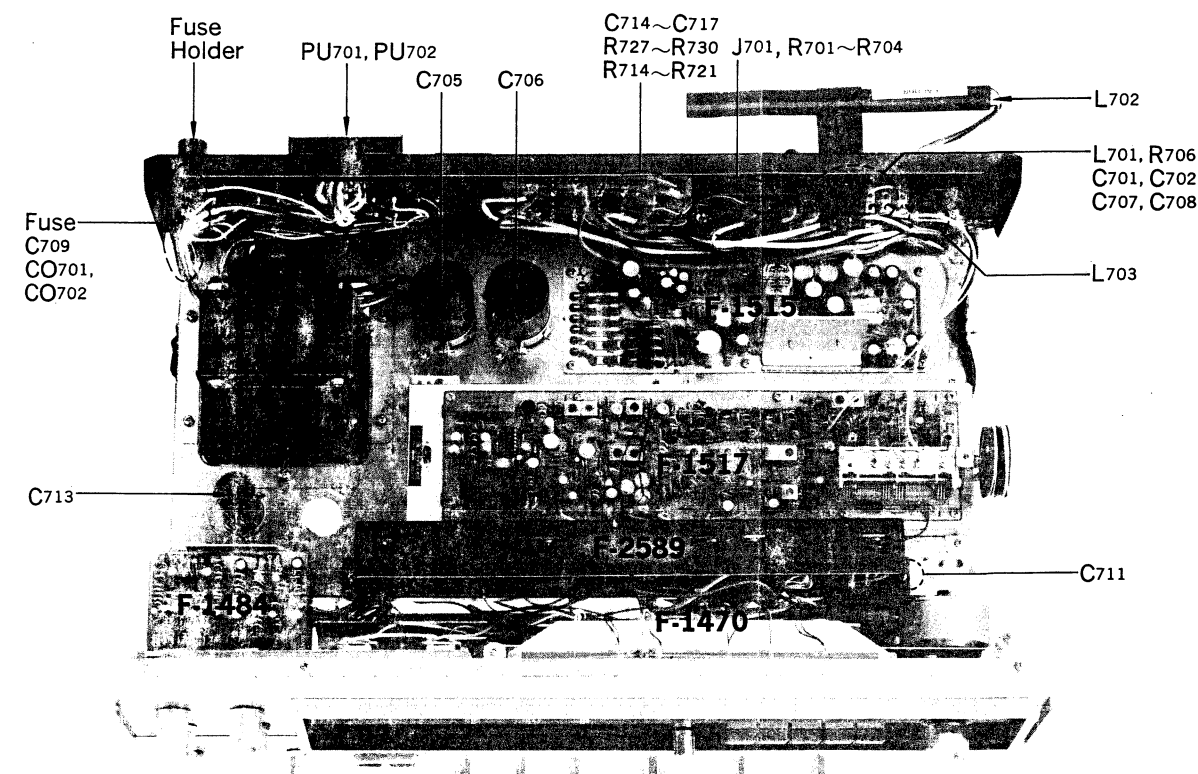
Parts No.	Stock No.	Description
15	5726821	Wood Case
16	5317850	S-2-S Type Knob, BASS volume
18	5317850	S-2-S Type Knob, BASS volume
20	5317850	S-2-S Type Knob, TREBLE volume
22	5317850	S-2-S Type Knob, TREBLE volume
24	5176052	Jack Nut
25	5176052	Jack Nut

Parts No.	Stock No.	Description
26	5317642	M-2 Type Knob, SPEAKER switch
27		Hex. Nut, M9
28		Plain Washel, 9φ
29	5317652	S-2 Type Knob, BALANCE volume
30	5317652	S-2 Type Knob, BALANCE volume
31	5317652	S-2 Type Knob, BALANCE volume
32		Hex. Nut, M9

Parts No.	Stock No.	Description
33		Plain Washer, 9φ
34	5317811	P-5 Type Knob, LEVEL SET volume
35	5317632	L-2 Type Knob, VOLUME
36	5317642	M-2 Type Knob, FUNCTION switch
37	5317642	M-2 Type Knob, DIRECTION switch
39	5106061	Hex. Socket Setscrew, M4×6
40	5317780	N-5 Type Knob, TUNING
41		Hex. Nut, M9
42		Plain Washer, 9φ
43	5317860	Q-5 Type Knob, CD-4 SEPARATION Volume
44	5101043	Binding Head Screw, M3×6
45	5101043	Binding Head Screw, M3×6
46	5101043	Binding Head Screw, M3×6
47	5101042	Binding Head Screw, M3×5
48	5120141	Plain Washer, 3φ
49	5101042	Binding Head Screw, M3×5
50	5120141	Plain Washer, 3φ
51	5101042	Binding Head Screw, M3×5
52	5120141	Plain Washer, 3φ
53	5101042	Binding Head Screw, M3×5
54	5120141	Plain Washer, 3φ
55	5101042	Binding Head Screw, M3×5
56	5120141	Plain Washer, 3φ
57	5101042	Binding Head Screw, M3×5
58	5120141	Plain Washer, 3φ
59	5101042	Binding Head Screw, M3×5
60	5120141	Plain Washer, 3φ
61	5308891	Smoked Plate Frame
	5047680	Smoked Plate
62	7007190	Front Panel
63	7106083	Push Button, POWER switch
64	6906031	Spring, POWER switch
65		Hex. Nut, M11
66		Plain Washer, 11φ
67	1010980, 1	100kΩ (B)×2 BASS Volume
68		Hex. Nut, M11
69		Plain Washer, 11φ
70	1010980, 1	100kΩ (B)×2 BASS Volume
71		Hex. Nut, M11
72		Plain Washer, 11φ
73	1010990, 1	100kΩ (W)×2 TREBLE Volume
74		Hex. Nut, M11
75		Plain Washer, 11φ
76	1010990, 1	100kΩ (W)×2 TREBLE Volume
77	1130350	Push Switch, POWER switch
78		Hex. Nut, M9
79		Plain Washer, 9φ
80		Hex. Nut, M9
81		Plain Washer, 9φ
82	2430200	Headphone Jack
83	5236491	Spacer Nut, M9
84	1102500, 1	Rotary Switch Y-2-2-4, SPEAKER switch
85	5326380	Push Button, LOW & HIGH FILTER switch
86	1130760	Push Switch (2 Stage)
87	1130760	Push Switch (2 Stage)
88		Hex. Nut, M8
89		Plain Washer, 8φ
90	1010400, 1	250kΩ (HB) BALANCE Volume
91		Hex. Nut, M8
92		Plain Washer, 8φ
93	1060250, 1	250kΩ (HB)×4 BALANCE Volume
94	5236461	Spacer Nut, M8
95	1010400, 1	250 (HB) BALANCE Volume
96		Hex. Nut, M8

Parts No.	Stock No.	Description
97		Plain Washer, 8φ
98	1060260, 1	250kΩ (B)×4 LEVEL SET Volume
99		Hex. Nut, M9
100		Plain Washer, 9φ
101	1060240, 1	250kΩ (B)×4 VOLUME
102		Hex. Nut, M9
103		Plain Washer, 9φ
104	1106130	Rotary Switch Y-6-12-5, FUNCTION switch
105	5326380	Push Button, accessory switch
106	1130750	Push Switch (5 Stage)
107	5236491	Spacer Nut, M9
108	1105200	Rotary Switch Y-5-13-5, SELECTOR switch
112		Hex. Nut, M8
113		Plain Washer, 8φ
114	1005110, 1	50kΩ (B) SEPARATION Volume
115		Hex. Nut, M8
116		Plain Washer, 8φ
118	7036361	Tuning Ass'y
119		Dial Pointer Ass'y
120	0400200	Pilot Lamp, lead type (6.3V 75mA)
121	5416050	Dial Pointer
122	5416300	Holder, dial pointer
123	5109122	Binding Head Tapping Screw, M3×8
124	5109122	Binding Head Tapping Screw, M3×8
125	0400300	Lead Type Lamp (7V 100mA), STEREO indicator
126	0400310	Lead Type Lamp (7V 100mA), PHONO-2 indicator
127	0400330	Lead Type Lamp (7V 100mA), PHONO-1 indicator
128	0400300	Lead Type Lamp (7V 100mA), FM indicator
129	0400290	Lead Type Lamp (7V 100mA), AM indicator
130	0400320	Lead Type Lamp (7V 100mA), AUX indicator
131	0400400	Lead Type Lamp (6V 30mA), CD-4 indicator
132	0420040	Fuse Type Lamp (7V 300mA)
133	5066211	Indicator Box
134	5109122	Binding Head Tapping Screw, M3×8
135	5109122	Binding Head Tapping Screw, M3×8
136	5109122	Binding Head Tapping Screw, M3×8
137	5269240	Stopper, dial scale
138	5407950	Dial Scale
139	5109122	Binding Head Tapping Screw, M3×8
140	5109122	Binding Head Tapping Screw, M3×8
141	5269250	Holder, tuning & signal meter
142	7726050	Meter Lamp Unit
143	0420040	Fuse Type Lamp (7V 300mA)
144	4300740	Signal Meter
145	4300750	Tuning Meter
146	5109122	Binding Head Tapping Screw, M3×8
147	5109122	Binding Head Tapping Screw, M3×8
148	5109122	Binding Head Tapping Screw, M3×8
149	5269250	Holder, level meter
150	0420040	Fuse Type Lamp (7V 300mA)
151	7726060	Meter Lamp Unit
152	4300860	Level Meter
153	5101123	Binding Head Screw, M2, 6×6
154	6146670	Dial Pulley
155	5101161	Binding Head Screw, M4×6
156	5101161	Binding Head Screw, M4×6
157	5101161	Binding Head Screw, M4×6
158	5058100	Bottom Plate

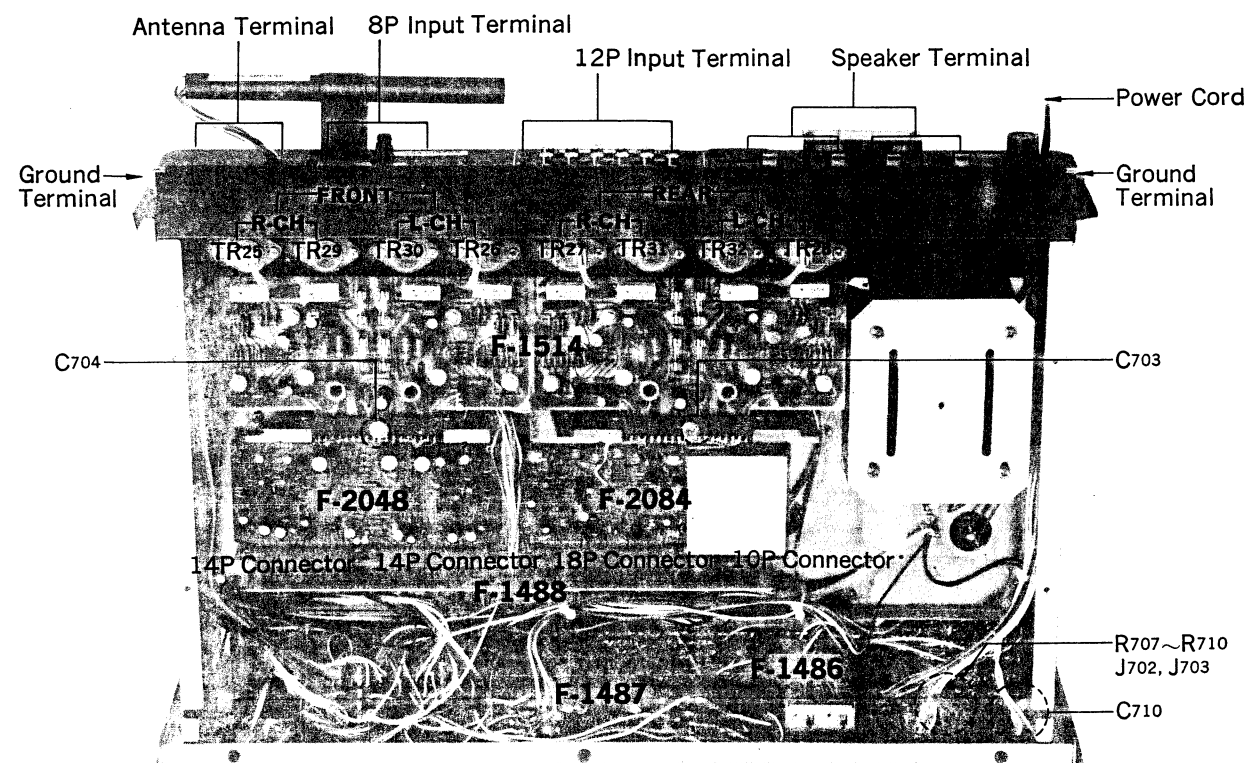
### 6-5. Other Parts (Top Side)/QRX-7500A



### Parts List

Parts No.	Stock No.	Description	Parts No.	Stock No.	Description
C701	0657473	0.047μF } 50V C.C.	R720	0107332	3.3kΩ
C702	0657473	0.047μF } 50V C.C.	R721	0107563	56kΩ
C705	0559107	10000μF } 35V E.C.	R727	0107123	12kΩ
C706	0559107	10000μF } 35V E.C.	R728	0107123	12kΩ
C707	0657473	0.047μF } 50V C.C.	R729	0107123	12kΩ
C708	0657473	0.047μF } 50V C.C.	R730	0107123	12kΩ
C709	0605477	0.047μF 250V M.C.		0431310	3.5A Power Fuse (220V~240V)
C711	0657473	0.047μF } 50V C.C.		0431290	6A Power Fuse (100V~117V)
C712	0657473	0.047μF } 50V C.C.		2300060	Fuse Holder
C713	0559501	1000μF 63V E.C.	J701	2430040	DIN Connector
C714	0657391	390 pF } 50V C.C.	L701	4290030	1μH Coil
C715	0657391	390 pF } 50V C.C.	L702	4200550	Bar Antenna
C716	0657391	390 pF } 50V C.C.		5266442	Bar Antenna Holder
C717	0657391	390 pF } 50V C.C.		5287280	Bar Antenna Holder Case
R701	0107104	100kΩ } 1/4W C.R.	L703	4290021	75Ω : 300Ω FM Balun
R702	0107184	180kΩ } 1/4W C.R.	CO701	2450040	AC Outlet
R703	0107184	180kΩ } 1/4W C.R.	CO702	2450040	AC Outlet
R704	0107104	100kΩ } 1/2W S.R.	PT001	4002010	Power Transformer
R706	0111221	220Ω } 1/2W S.R.	PU701	2410091	Voltage Selector, Plug
R714	0107332	3.3kΩ } 1/4W C.R.	PU702	2410830	Voltage Selector, Socket
R715	0107563	56kΩ } 1/4W C.R.			
R716	0107332	3.3kΩ } 1/4W C.R.			
R717	0107563	56kΩ } 1/4W C.R.			
R718	0107332	3.3kΩ } 1/4W C.R.			
R719	0107563	56kΩ } 1/4W C.R.			

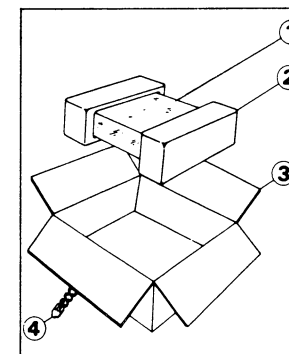
6-6. Other Parts (Bottom Side)/ORX-7500A



Parts List

Parts No.	Stock No.	Description	Parts No.	Stock No.	Description
TR25	0305631, 2	2SC1030 (B, C)	R707	0202331	330Ω
	or	or	R708	0202331	330Ω
TR26	0305830, 1	2SC1111 (O, R)	R709	0202331	330Ω
	0305631, 2	2SC1030 (B, C)	R710	0202331	330Ω
TR27	0305830, 1	2SC1111 (O, R)	R722	0107104	100kΩ
	0305631, 2	2SC1030 (B, C)	R723	0107104	100kΩ
TR28	0305830, 1	2SC1111 (O, R)	R724	0107104	100kΩ
	0305631, 2	2SC1030 (B, C)	R725	0107104	100kΩ
TR29	0300551, 2	2SA756 (B, C)	R726	0107102	1kΩ
	0300580, 1	2SA744 (O, R)	R727	0107102	1kΩ
TR30	0300551, 2	2SA756 (B, C)	J702	2430200	Headphone Jack
	0300580, 1	2SA744 (O, R)	J703	2430200	Headphone Jack
TR31	0300551, 2	2SA756 (B, C)		3800261	Power Cord
	0300580, 1	2SA744 (O, R)		2200340	8P Input Terminal
TR32	0300551, 2	2SA756 (B, C)		2200360	12P Input Terminal
	0300580, 1	2SA744 (O, R)		2290170	Speaker Terminal
C710	0659801	0.01μF 1.4kV C.C.		2290160	Antenna Terminal
				2230050	Ground Terminal

7. PACKING LIST



7-1. QRX-5500A

Parts No.	Stock No.	Description
1	9116631	Vinyl Cover
2	9027750	Stylofoam Packing
3	9008430	Carton Case
4	5996080	Curl Stopper

7-2. QRX-7500A

Parts No.	Stock No.	Description
1	9116631	Vinyl Cover
2	9027750	Stylofoam Packing
3	9008440	Carton Case
4	5996080	Curl Stopper

8. ACCESSORY PARTS LIST

8-1. QRX-5500A

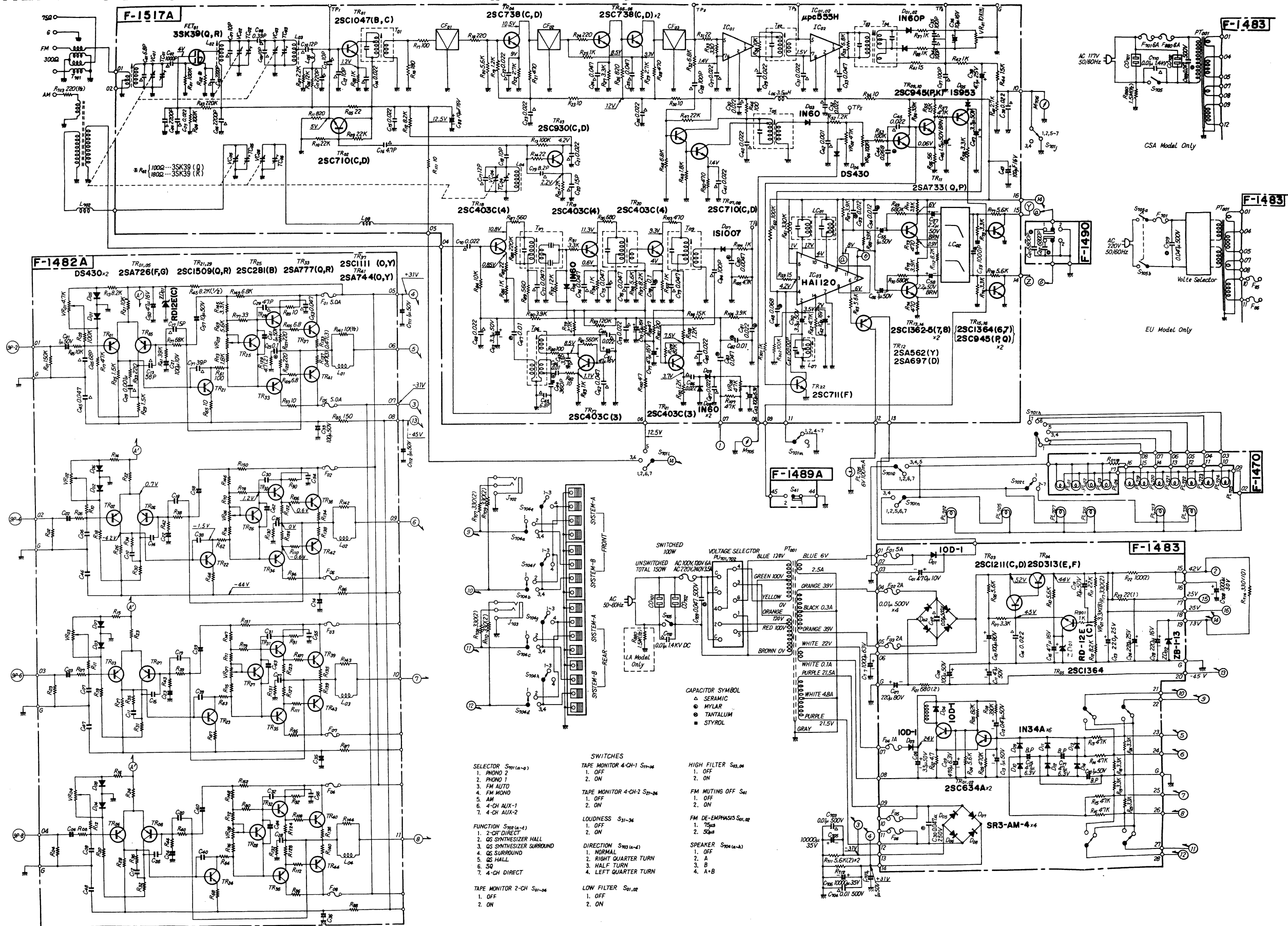
Stock No.	Description
0433640	5A Quick Acting Fuse
3820100	AM/FM Antenna
9209320	Operating Instruction
9237060	Schematic Diagram
2410560	Short Pin Plug

8-2. QRX-7500A

Stock No.	Description
0433640	5A Quick Acting Fuse
3820040	FM Antenna
9209310	Operating Instruction
9416010	CD-4 Adjustment Record
9237050	Schematic Diagram
2410560	Short Pin Plug

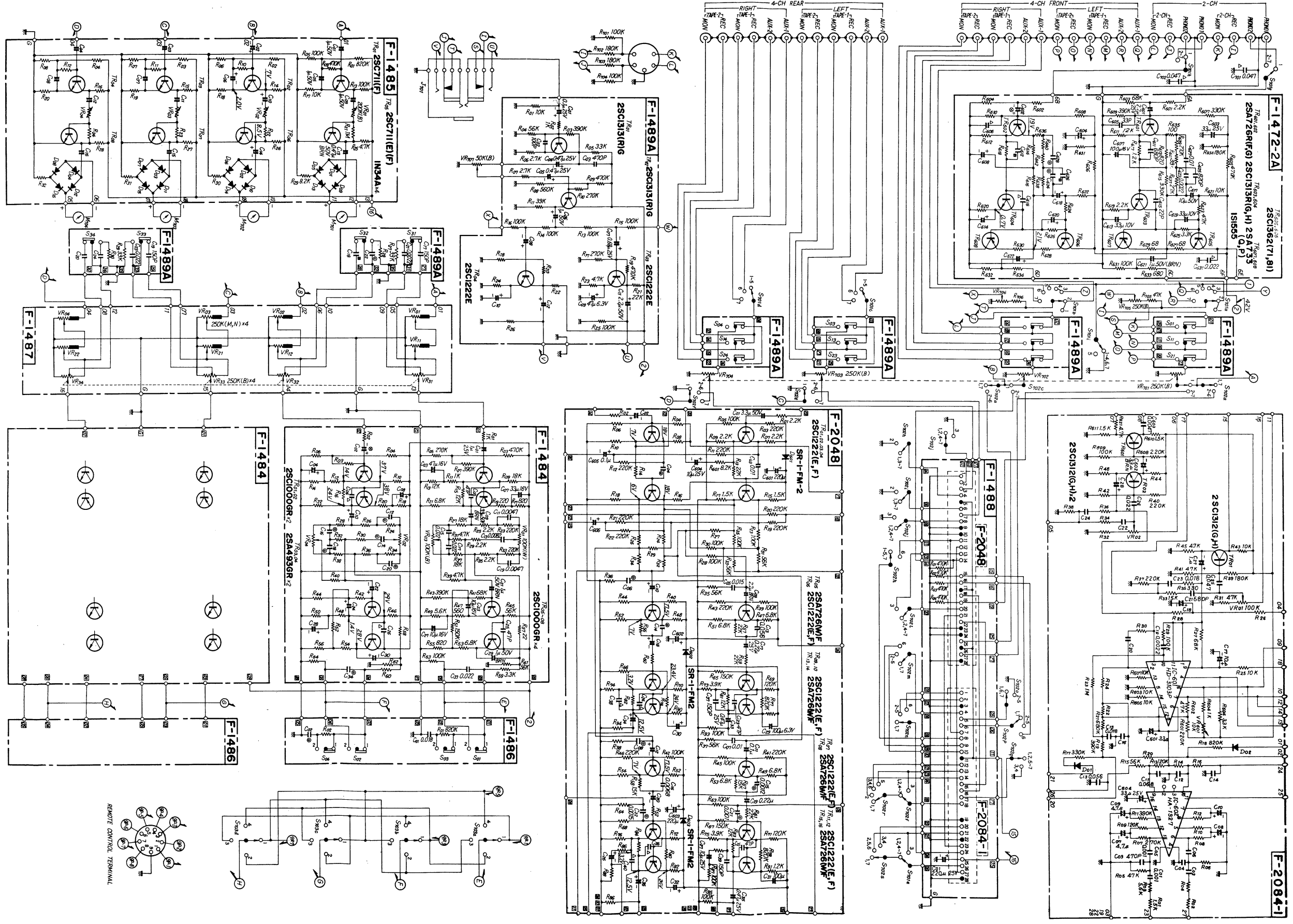
# 9. SCHEMATIC DIAGRAM/9-1. QRX-5500A (TUNER SECTION)

• La présentation et les spécifications sont susceptibles d'être modifiées sans préavis par suites d'améliorations éventuelles.  
 • Änderungen, die dem technischen Fortschritt dienen, bleiben vorbehalten.  
 • Design and specifications subject to change without notice for improvement.



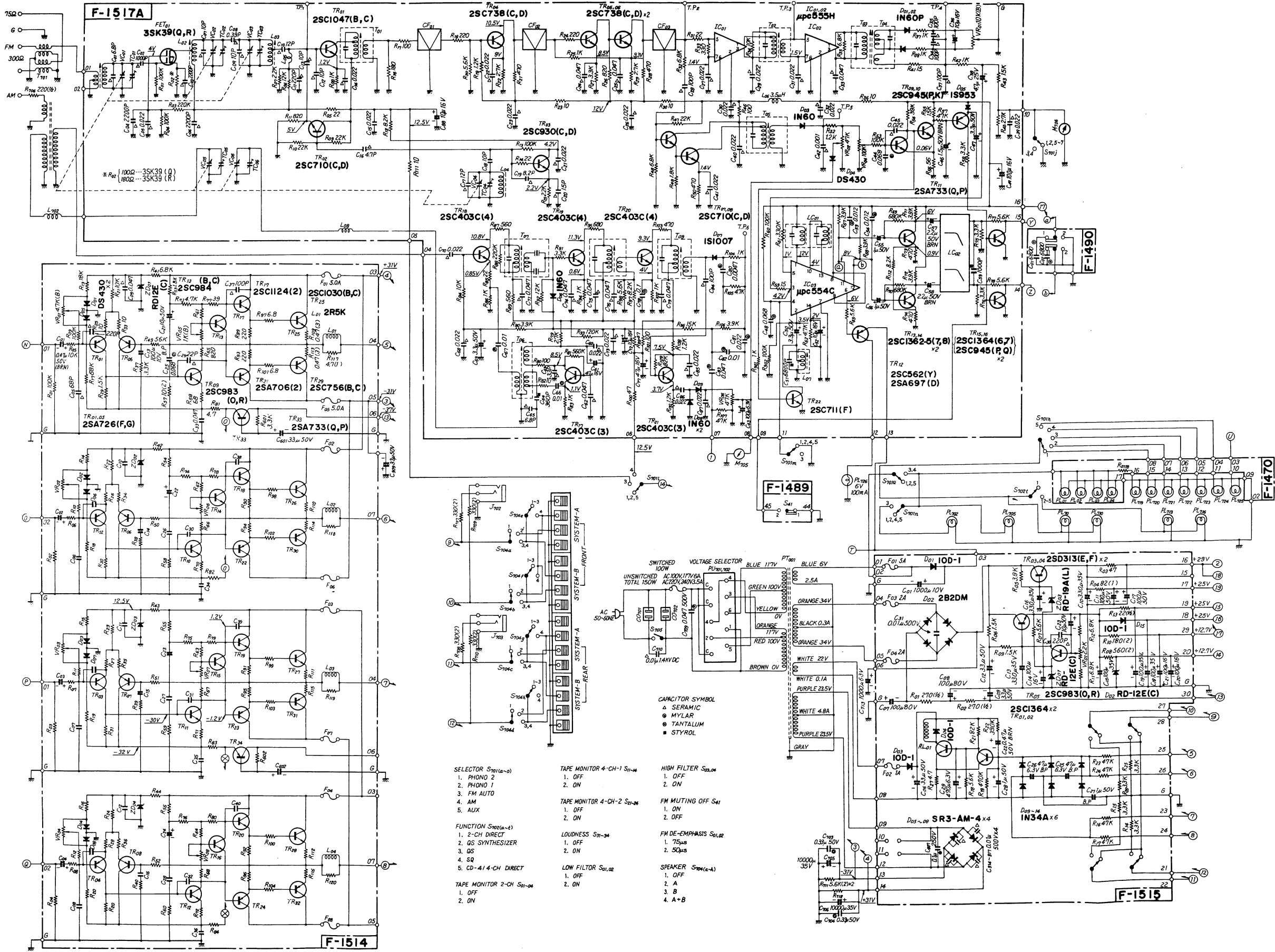
9-2. QRX-5500A (AUDIO SECTION)

\* La présentation et les spécifications sont susceptibles d'être modifiées sans préavis par suites d'améliorations éventuelles.  
 \* Änderungen, die dem technischen Fortschritt dienen, bleiben vorbehalten.  
 \* Design and specifications subject to change without notice for improvement.



9-3. QRX-7500A (TUNER SECTION)

• La présentation et les spécifications sont susceptibles d'être modifiées sans préavis par suites d'améliorations éventuelles.  
 • Änderungen, die dem technischen Fortschritt dienen, bleiben vorbehalten.  
 • Design and specifications subject to change without notice for improvement.

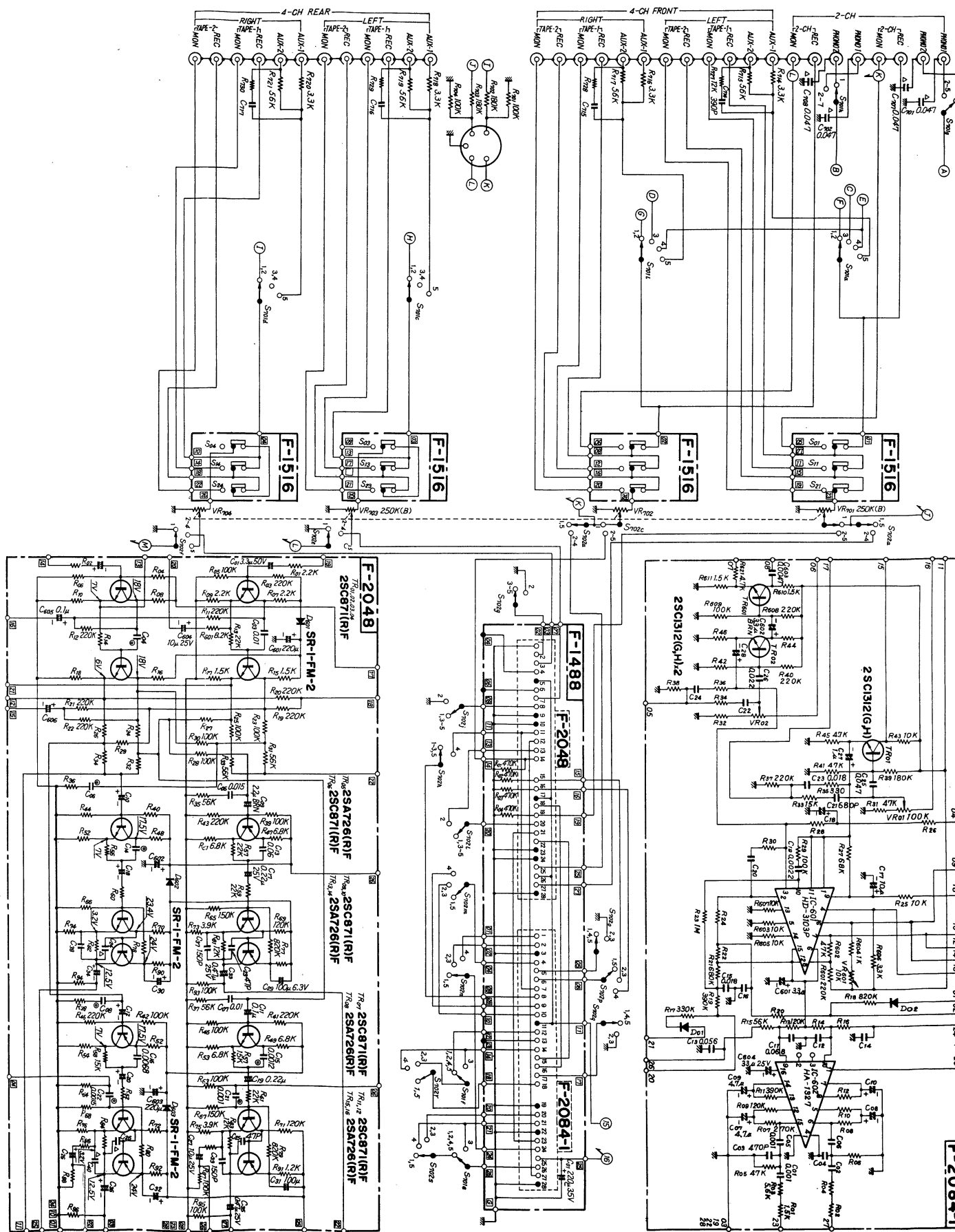
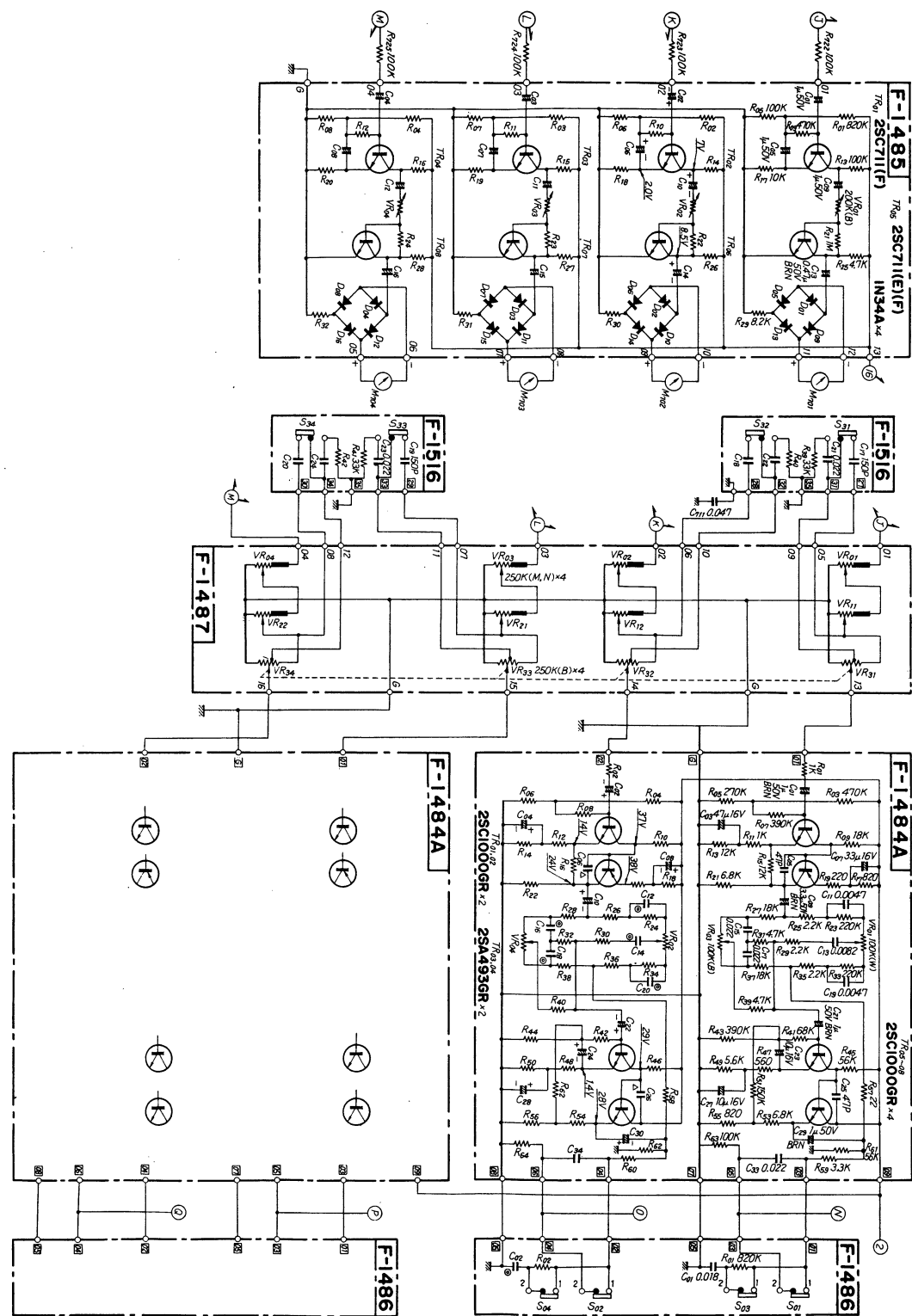


- SELECTOR S<sub>91(a-e)</sub>
1. PHONO 2
  2. PHONO 1
  3. FM AUTO
  4. AM
  5. AUX
- FUNCTION S<sub>92(a-e)</sub>
1. 2-CH DIRECT
  2. QS SYNTHESIZER
  3. QS
  4. SQ
  5. CD-4/4-CH DIRECT
- TAPE MONITOR 2-CH S<sub>93(a)</sub>
1. OFF
  2. ON
- TAPE MONITOR 4-CH-1 S<sub>94(a)</sub>
1. OFF
  2. ON
- TAPE MONITOR 4-CH-2 S<sub>94(b)</sub>
1. OFF
  2. ON
- LOUDNESS S<sub>95</sub>
1. 75µs
  2. 50µs
- LOW FILTER S<sub>91,92</sub>
1. OFF
  2. ON
- HIGH FILTER S<sub>91,92</sub>
1. OFF
  2. ON
- FM MUTING OFF S<sub>91</sub>
1. ON
  2. OFF
- FM DE-EMPHASIS S<sub>91,92</sub>
1. 75µs
  2. 50µs
- SPEAKER S<sub>91(a-e)</sub>
1. OFF
  2. A
  3. B
  4. A+B



9-4. QRX-7500A (AUDIO SECTION)

• La présentation et les spécifications sont susceptibles d'être modifiées sans préavis par suites d'améliorations éventuelles.  
 • Änderungen, die dem technischen Fortschritt dienen, bleiben vorbehalten.  
 • Design and specifications subject to change without notice for improvement.



9-5. QRX-7500A EQUALIZER & CD-4 SECTION

