

## ■ QS Synthesizer Encoding Function

### 1. Description

This function encodes the conventional stereo signals by blending them in reverse-phase, and provides output signals that are almost equivalent to QS-Encoded 4-Channel Signals.

In 4-channel playback, the signals so encoded are reproduced over a 270-degree spread, centered in front of the listener and curving through 135-degree arcs on either side to reach behind him. The L and R stereo signals, and the many phantom signals between them, are transformed into four specifically-located sound images (LF, RF, LB and RB) and many phantom images scattered around them (see Fig. 1) to create an authentic "SURROUND" effect.

Any ambience content in the stereo program source is reproduced from the rear channels.

Like the QS-Encoded Signals, the signals encoded by this function are compatible with stereo and mono playback.

### 2. Required Connections

2-1: Connect the L-channel stereo signal to the LB input of the QSE-5B, and the R-channel stereo signal to the RB input of the QSE-5B, so that they are mutually in reverse phase (see Fig. 2).

2-2: Set the "ENCODE" switch on the rear panel of the QSE-5B to "SYNTNESIZER"

2-3: The encoded output signals will then be delivered at the LT and RT output terminals of the QSE-5B.

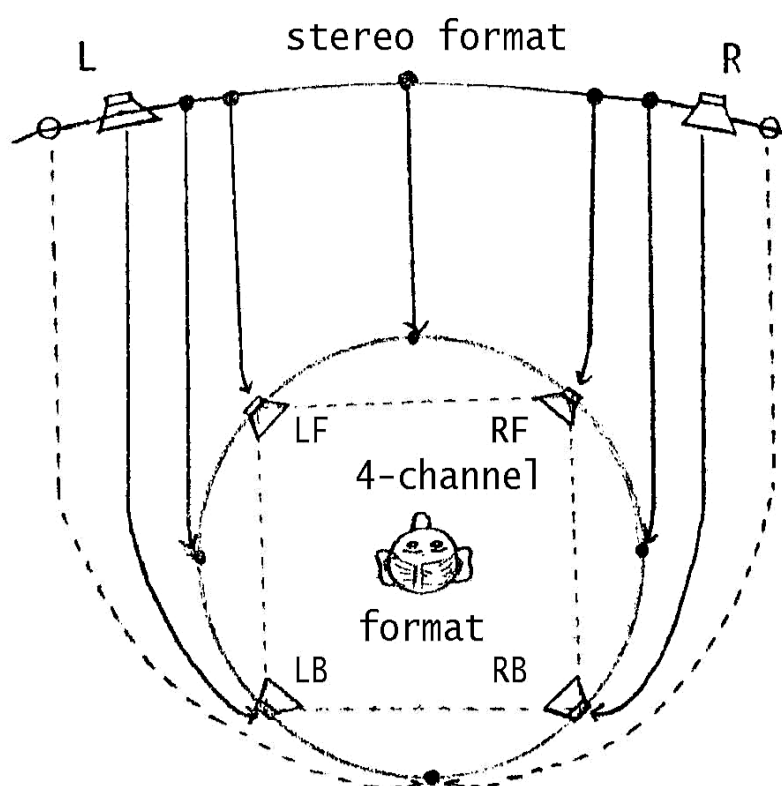


Fig. 1

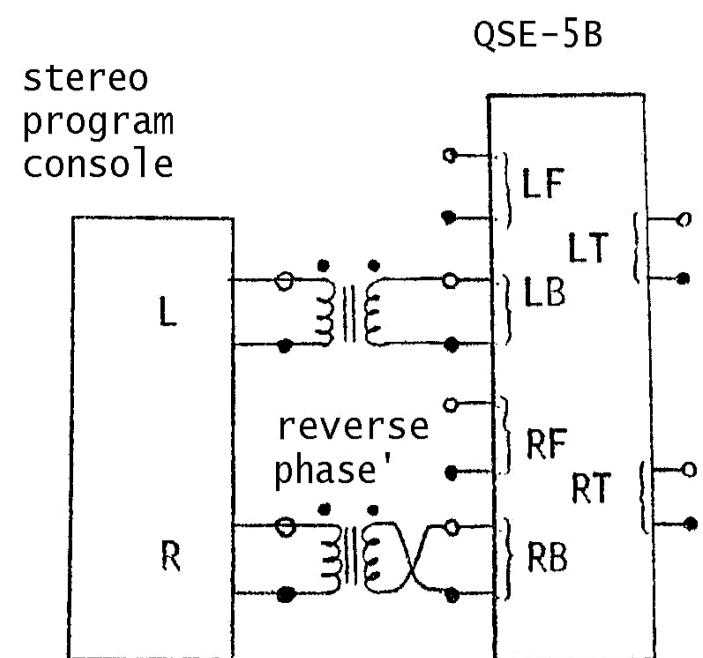
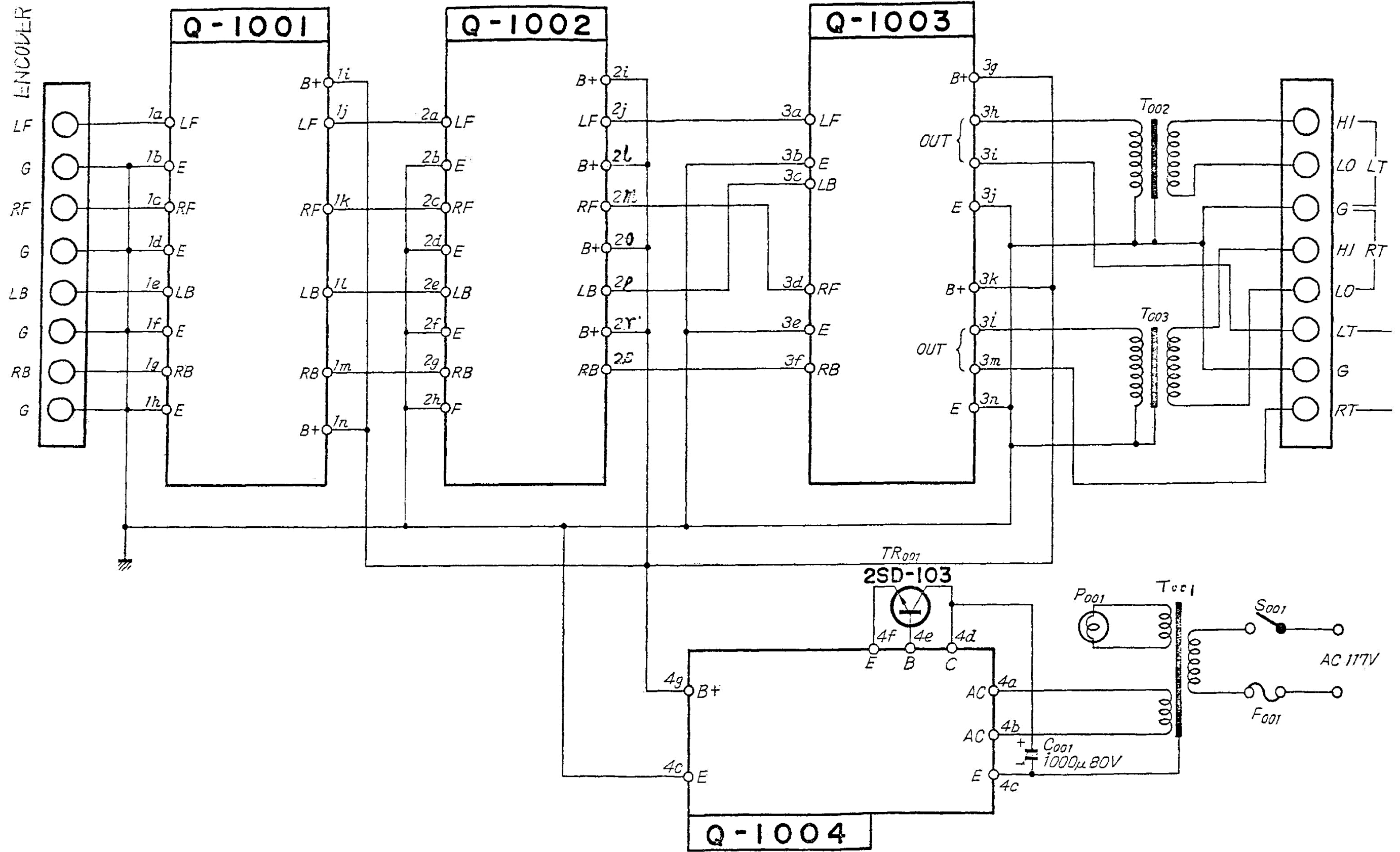
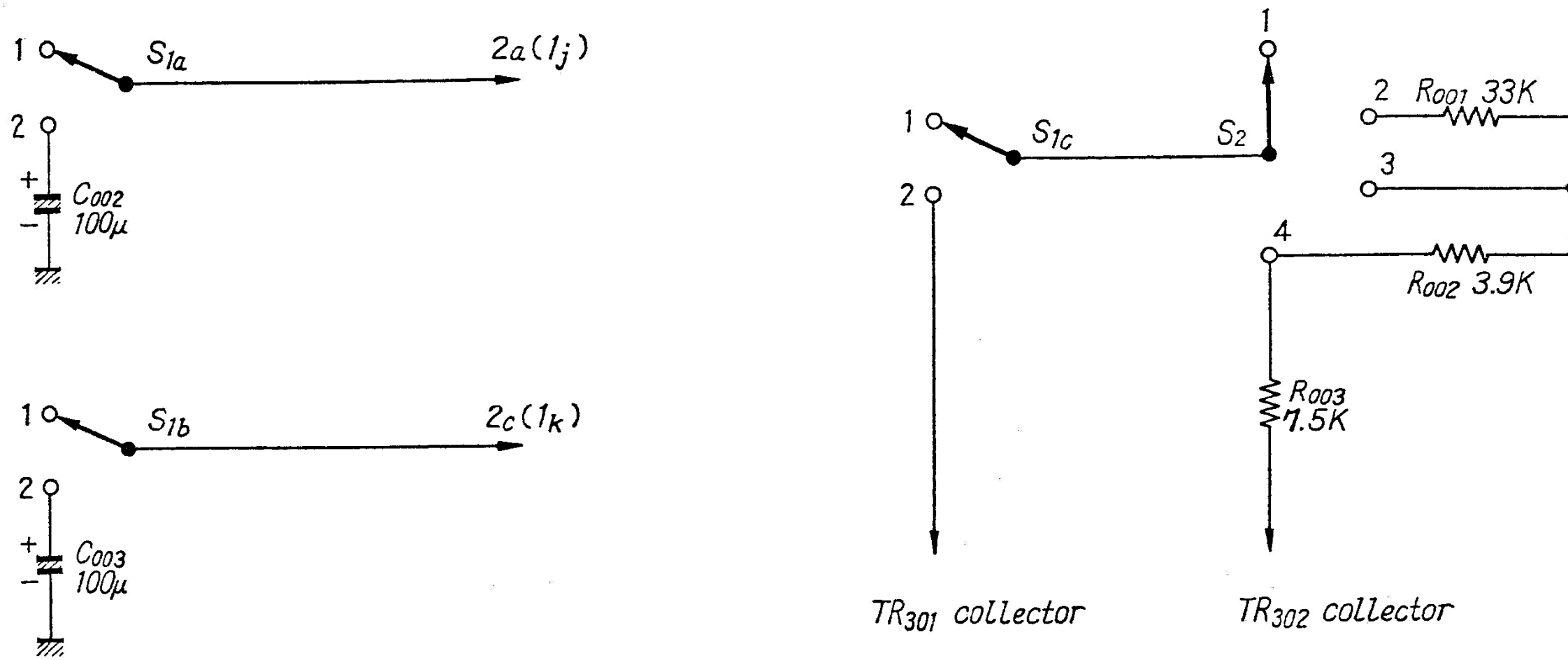


Fig. 2



# QS - SYNTHESIZER ENCODE SELECTOR



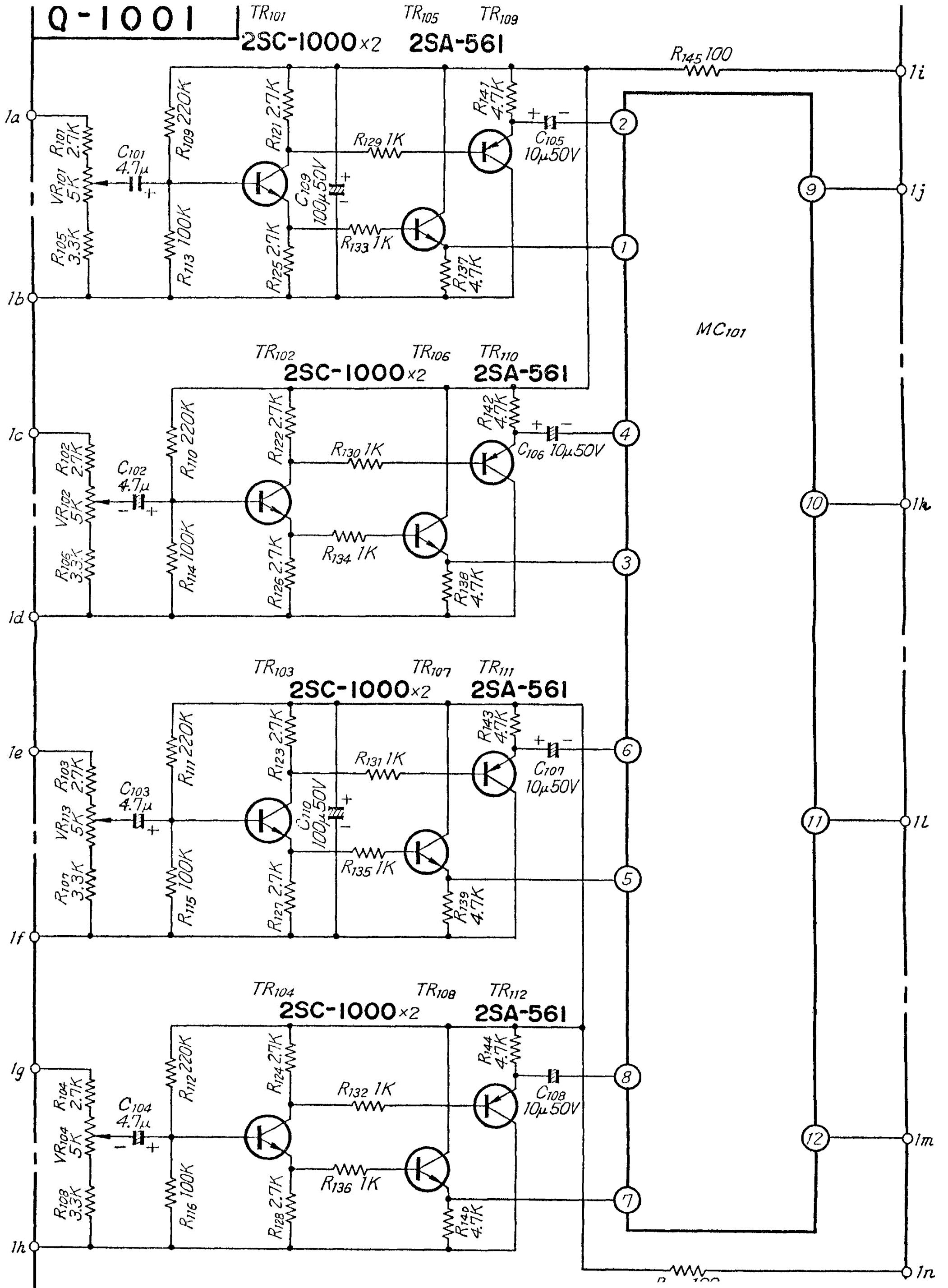
## Selector

$S_1(a-c)$

- 1. QS ENCODE
- 2. SYNTHESIZER ENCODE

$S_2$

- 1. 7.7dB    3. 15dB
- 2. 10dB    4. 20dB



0-1002

