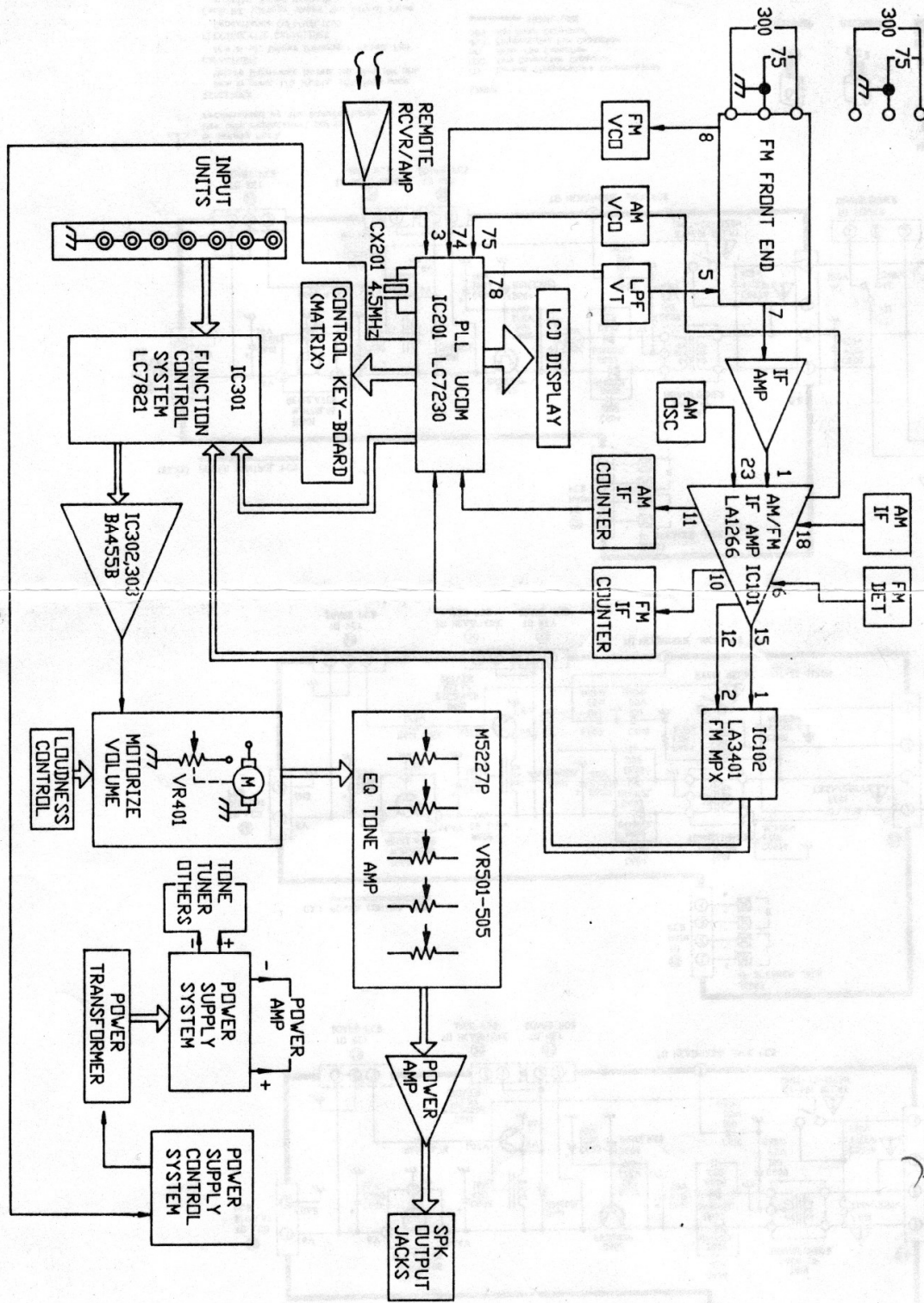
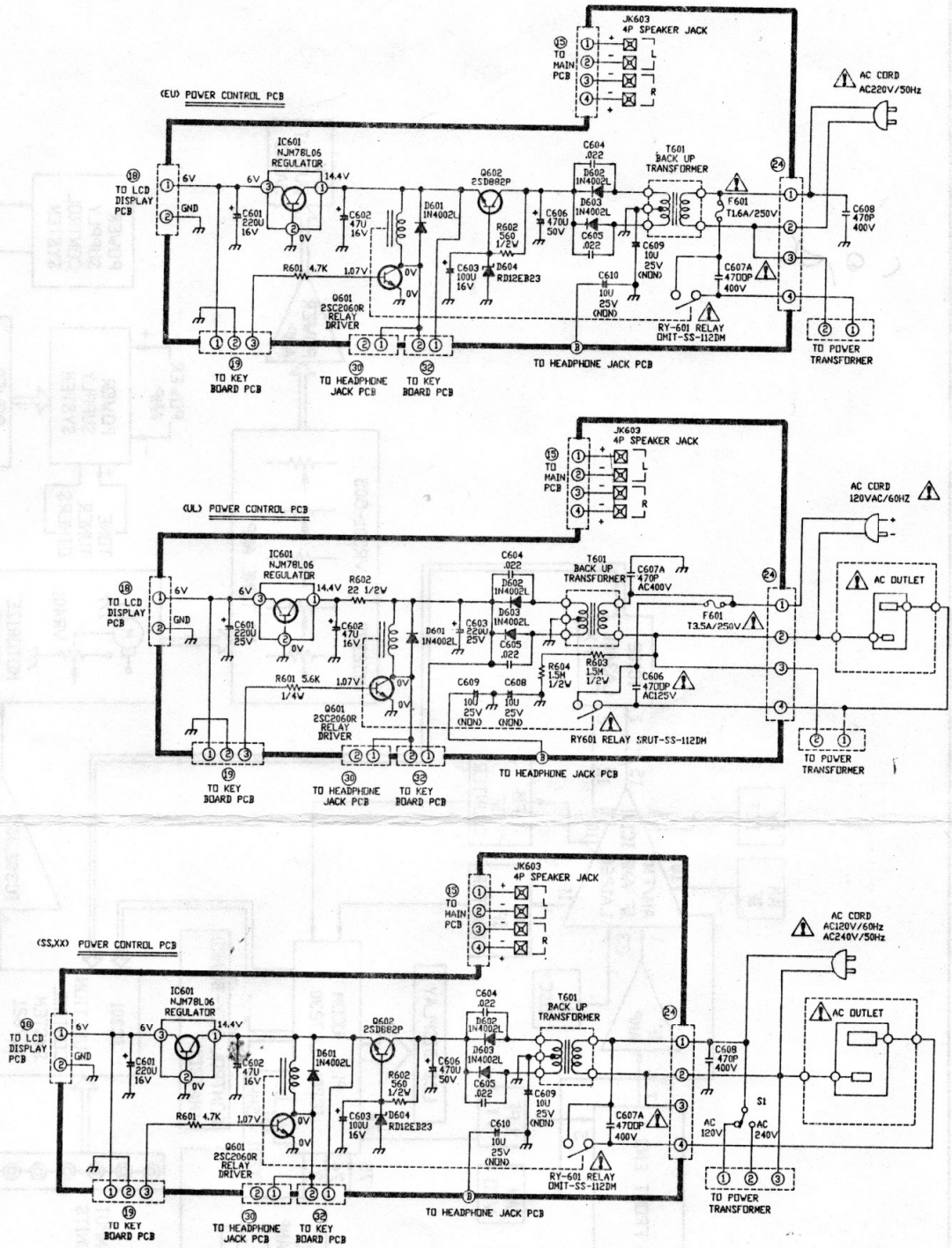


1. BLOCK DIAGRAM



8-3. Power Control



⚠ Is Safety Part.
Use only replacement parts recommended by the manufacturer.

RESISTORS
Are in ohms, 1/6 Watts, 25% Tolerance
Unless Otherwise Noted, ohm, ohm, MM ohm

CAPACITORS
Are in μ F, Unless Otherwise Noted, PpF

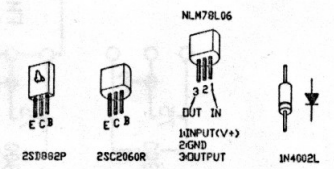
ELECTROLYTIC CAPACITORS
Capacitance (μ F)/VOLT(V)

Each D.C. Voltage shows the nominal value in volts during recording.

SYMBOL

(C) Ceramic (Temperature Compensation)
(CD) Semi Conductor Capacitor
(M) Mylar Film Capacitor
(PL) Polypropylene Film Capacitor
(NP) Non-Polar Capacitor

————— SIGNAL LINE



- Design and specifications subject to change without notice for improvement.
- La présentation et les spécifications sont susceptibles d'être modifiées sans préavis par suites d'améliorations éventuelles.
- Änderungen, die dem technischen Fortschritt dienen, bleiben vorbehalten.

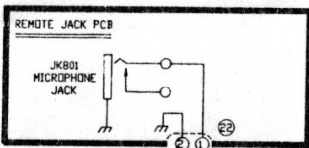
STAND BY
10V

R-550

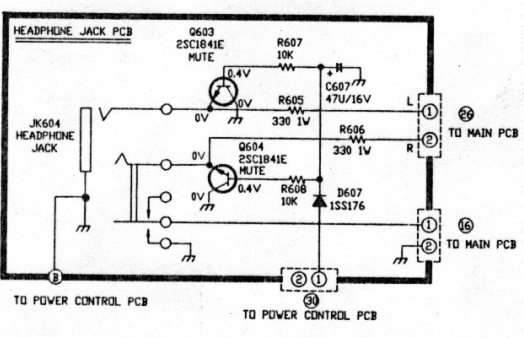
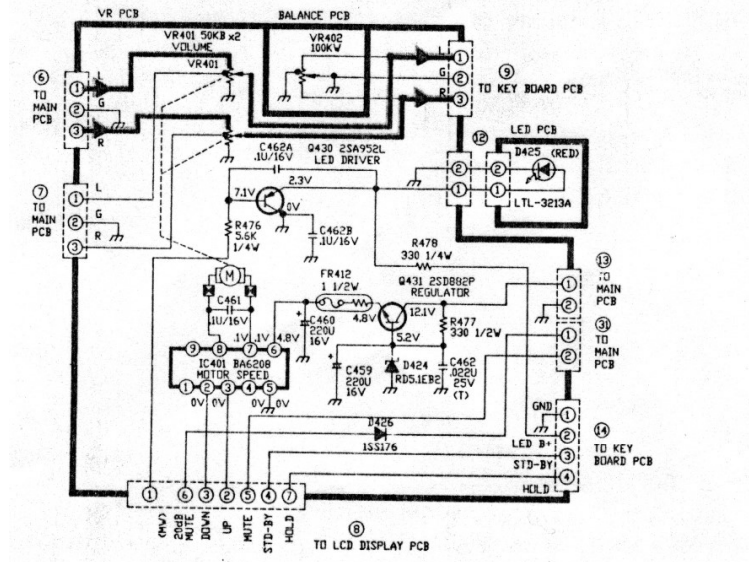
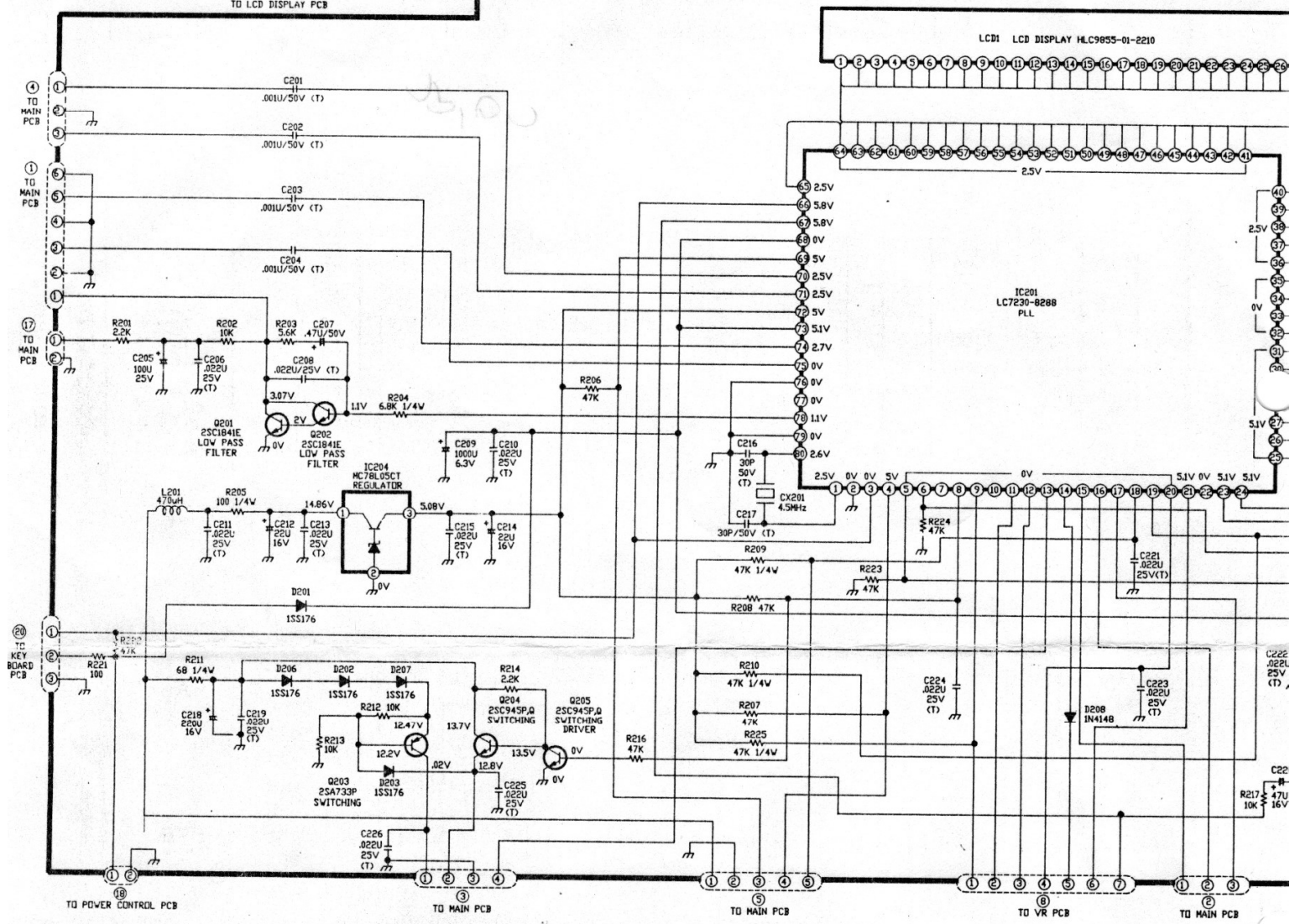
R-550

70107
11070

8-2. LCD Display/Key Board/VR/Blance/Headphone Jack/Step Switch/LED



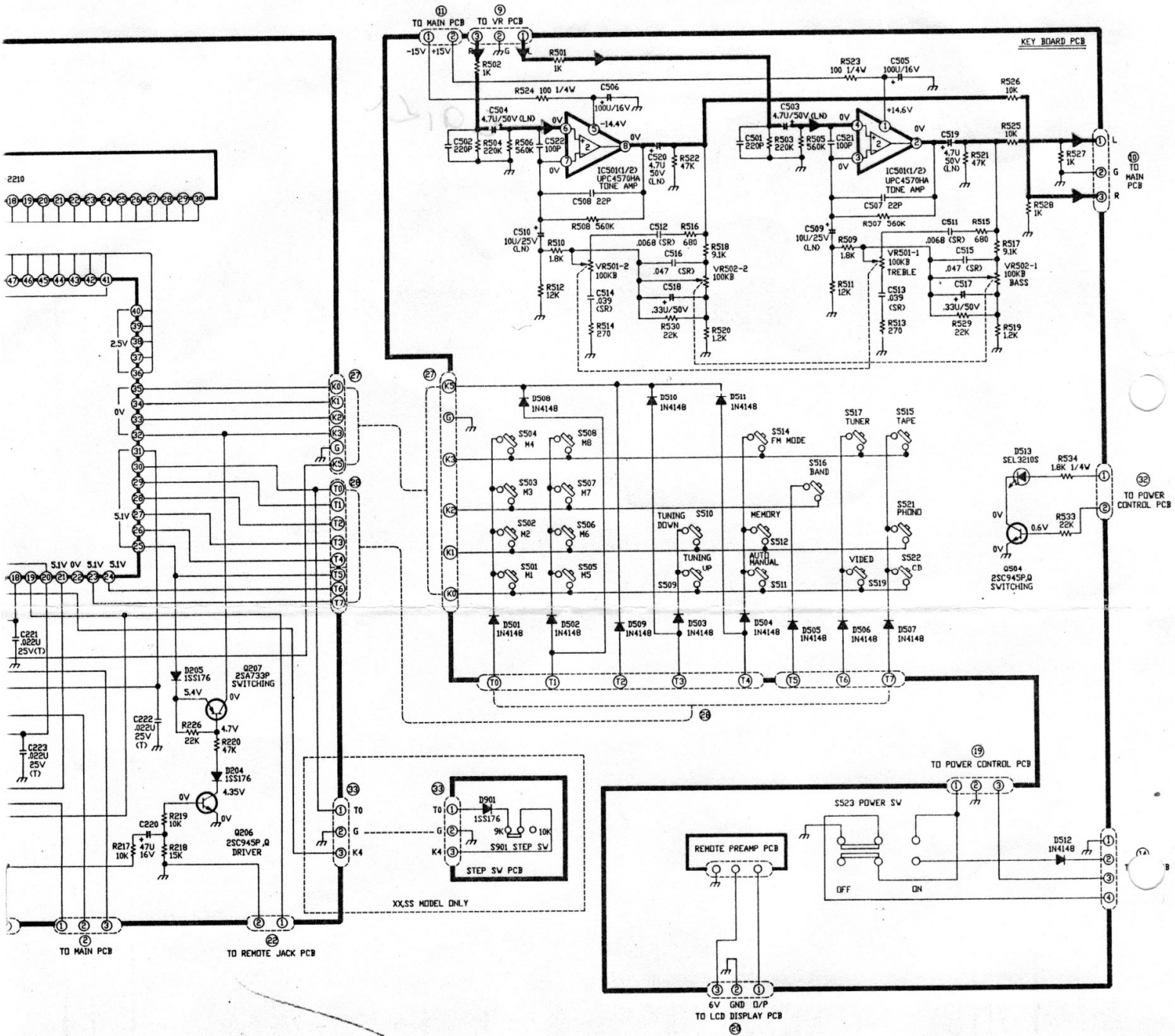
LCD DISPLAY PCB



RESISTORS
Are in ohms
Unless Dths
CAPACITORS
Are in uF, I
ELECTROLYTIC
Capacitance
Each DC Volt
in volts dca

550 R-550

- Design and specifications subject to change without notice for improvement.
- La présentation et les spécifications sont susceptibles d'être modifiées sans préavis par suites d'améliorations éventuelles.
- Änderungen, die dem technischen Fortschritt dienen, bleiben vorbehalten.



RESISTORS
 Are in ohms, 1/6 Watts, ±5% Tolerance
 Unless Otherwise Noted. k=ohm, M=ohm

CAPACITORS
 Are in uF, Unless Otherwise Noted. PpF

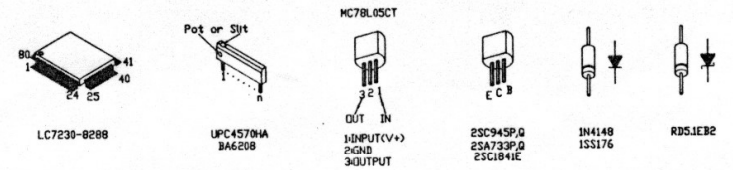
ELECTROLYTIC CAPACITORS
 Capacitance (uF)/VOLT(V)

Each DC Voltage shows the normal value in volts during recording.

SYMBOL

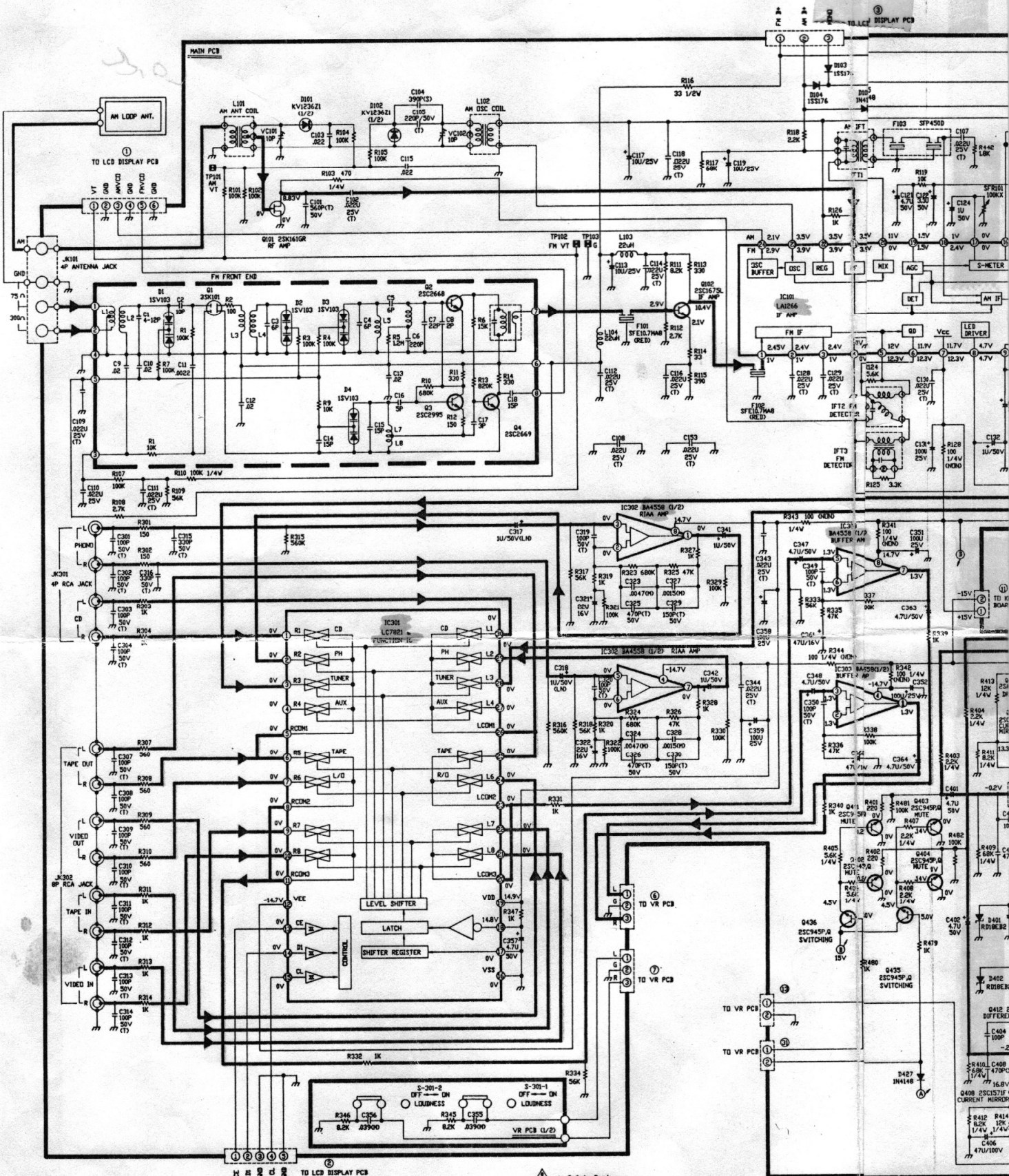
(T) Ceramic (Temperature Compensation)
 (SR) Semi Conductor Capacitor
 (M) Mylar Film Capacitor
 (PL) Polypropylene Film Capacitor
 (NP) Non-Polar Capacitor

— SIGNAL LINE



8. SCHEMATIC DIAGRAM

8-1. Main/Lamp



is Safety Part
Use only replacement parts recommended by the manufacturer.

RESISTORS
Are in ohms, 1/6 Watts, ±5% Tolerance Unless Otherwise Noted. ohm, ohm, ohm

CAPACITORS
Are in μ F, Unless Otherwise Noted. Ppf

ELECTROLYTIC CAPACITORS
Capacitance (μ F/VOLTS)

Each DC Voltage shows the nominal value in volts during recording.

SYMBOL

- (T) Ceramic (Temperature Compensation)
- (SD) Semi Conductor Capacitor
- (M) Mylar Film Capacitor
- (PL) Polypropylene Film Capacitor
- (OP) Non-Polar Capacitor

— SIGNAL LINE

Handwritten notes: *72103* and *11010*

- Design and specifications subject to change without notice for improvement.
- La présentation et les spécifications sont susceptibles d'être modifiées sans préavis par suites d'améliorations éventuelles.
- Änderungen, die dem technischen Fortschritt dienen, bleiben vorbehalten.

