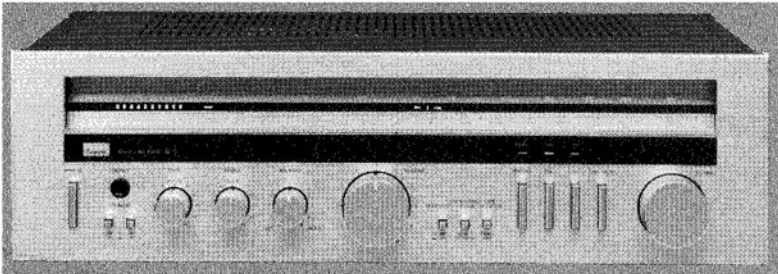


SERVICE MANUAL

STEREO RECEIVER SANSUI R-5/R-5L



● SPECIFICATIONS

Audio section <R-5/R-5L>

Power output

Min. RMS, both channels driven, from 40 to 20,000 Hz with no more than 0.08% total harmonic distortion.

25 watts per channel into 8 ohms

Total harmonic distortion less than 0.08% at or below rated min. RMS power output

Frequency response (at 1 watt) 10 to 50,000 Hz, +1 dB, -3 dB

Input sensitivity and impedance (at 1 kHz)

PHONO 2.5 mV/47 kilohms

TAPE PLAY 150 mV/47 kilohms

Output level (at 1 kHz)

TAPE REC 150 mV

Signal to noise ratio (short-circuit, A-network)

PHONO 73 dB

TAPE PLAY 90 dB

FM section

Tuning range 88 to 108 MHz

Usable sensitivity

Mono JHF 10.8 dBf (1.9 μ V)

DIN 1.0 μ V

50 dB quieting sensitivity

Stereo 37 dBf

Signal to noise ratio (at 65 dBf)

Mono 72 dB

Stereo 68 dB

Distortion (at 65 dBf)

Mono less than 0.3% at 1,000 Hz

Stereo less than 0.5% at 1,000 Hz

Stereo separation

40 dB at 1,000 Hz

Antenna input impedance

300 ohms balanced
76 ohms unbalanced

AM section <R-5>

Tuning range 530 to 1,605 kHz

Usable sensitivity (bar antenna) 50 dB/m (300 μ V/m)

Signal to noise ratio 43 dB

Others

Power voltage 120/220/240V (50/60 Hz)
For U.S.A. and Canada 120 V (60 Hz)

Power consumption 100 watts 120 V A Rated

Dimensions 430 mm (16-15/16") W
132 mm (5-1/4") H
244 mm (9-5/8") D

Weight 5.3 kg (11.7 lbs) net
6.0 kg (13.2 lbs) packed

MW, LW Section <R-5L>

Tuning range MW: 530 to 1,605 kHz
LW: 150 to 350 kHz

Usable sensitivity (Bar antenna) MW: 50 dB/m (300 μ V/m)
LW: 60 dB/m

Signal to noise ratio 43 dB

Others

Power requirements 220, 240 V (50/60 Hz)

Power consumption 100 watts

Dimensions 430 mm (16-15/16") W
132 mm (5-1/4") H
259 mm (10-1/4") D

Weight 5.5 kg (12.1 lbs) net
6.2 kg (13.7 lbs) packed

* Design and specifications subject to changes without notice for improvements.

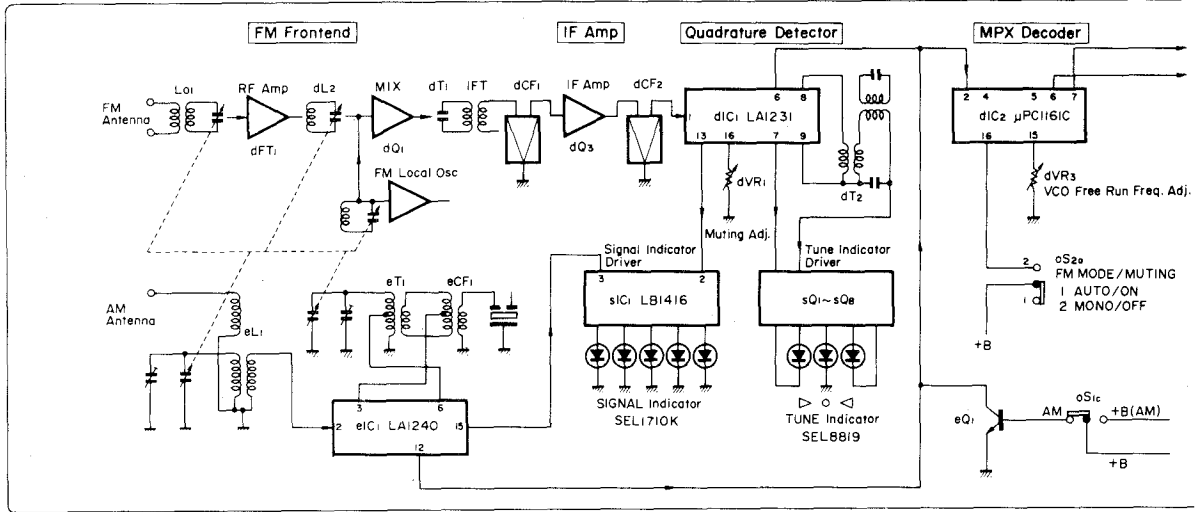
* In order to simplify the explanation illustrations may sometimes differ from the originals.

Sansui

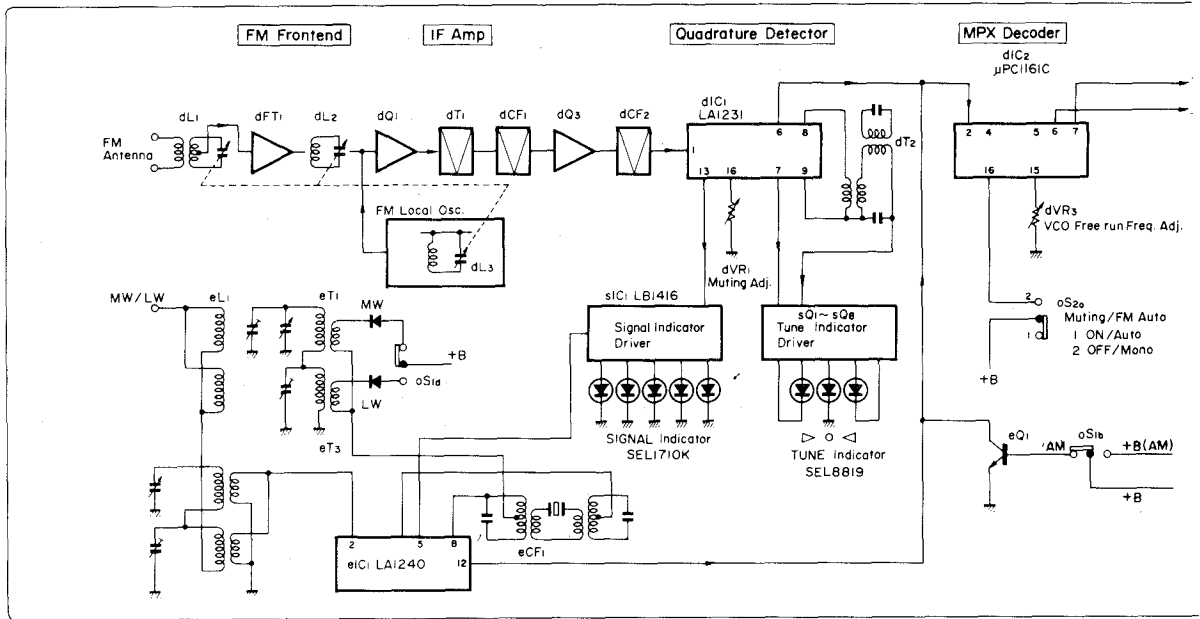
SANSUI ELECTRIC CO., LTD.

1. BLOCK DIAGRAM

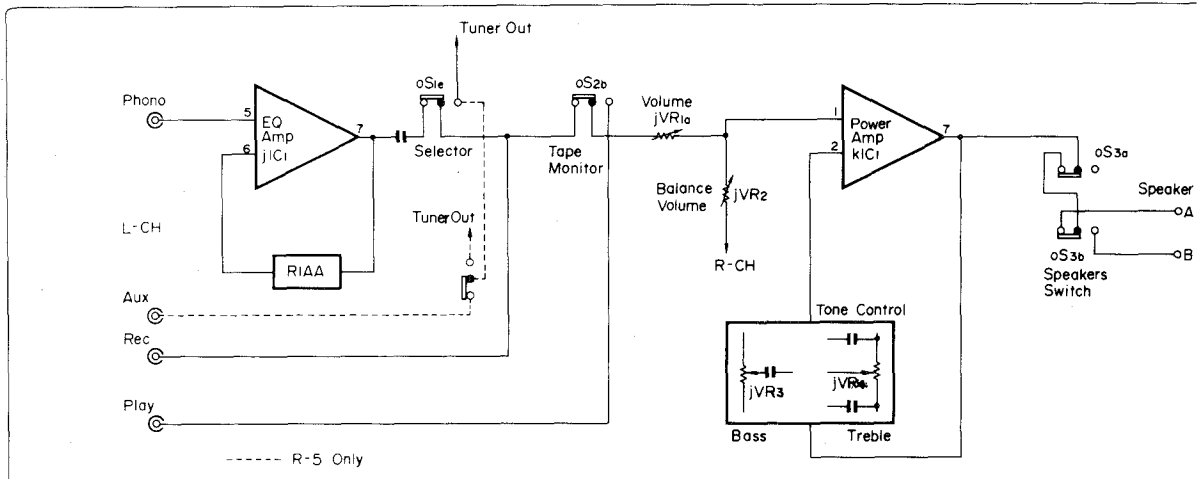
1-1. Tuner Section of R-5



1-2. Tuner Section of R-5L



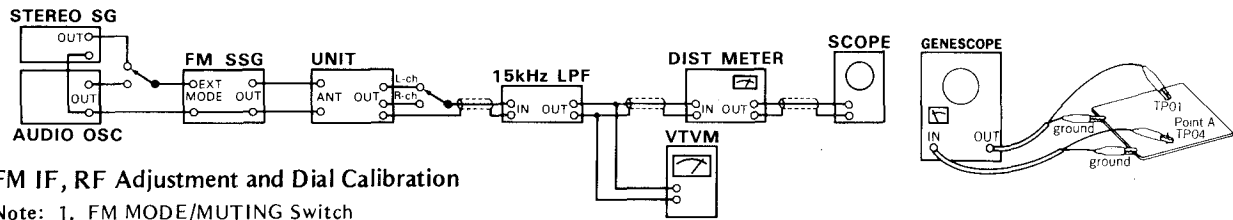
1-3. Audio Section of R-5/R-5L



2. ADJUSTMENTS

2-1. FM Adjustment (See Top View on Page 8)

Note : 1. Selector FM



(1) FM IF, RF Adjustment and Dial Calibration

Note: 1. FM MODE/MUTING Switch
. MONO/Off

STEP	SUBJECT	FEED SIGNAL		MEASURE OUTPUT	ADJUST	ADJUST FOR	REMARKS
		FROM	TO				
1.	IF Coll Adj.	Output 80 dB Genescope	TP 1 F-3378 F-3389	TP3 F-3378 F-3389	dT1 F-3378 F-3389	Max. IF waveform	
2.	Discriminator Coil Adj.	Output 80 dB Genescope	TP1 F-3378 F-3389	TP2 F-3378 F-3389	dT2 F-3378 F-3389	Steep linearity of S curve Make symmetrical S curve	
3.	106 MHz Dial Calibration	106 MHz ANT Input 65 dBf (59.8 dB) 1 kHz (100% MOD.) FM SSG	ANT terminal 300Ω	Dial Pointer	Tuning Knob	106 MHz	
				OUTPUT L-CH or R-CH VTVM & Scope	dTC3 F-3378 F-3389	Max. Output	
4.	90 MHz Dial Calibration	90 MHz ANT Input 65 dBf (59.8 dB) 1 kHz (100% MOD.) FM SSG	ANT terminal 300Ω	Dial Pointer	Tuning Knob	90 MHz	
				OUTPUT L-CH or R-CH VTVM & Scope	dL3 F-3378 F-3389	Max. Output	
5.	106 MHz RF Adj.	106 MHz ANT Input Minimum value with sine wave 1 kHz (100% MOD.) FM SSG	ANT terminal 300Ω	OUTPUT L-CH or R-CH VTVM & Scope	dTC2 dTC1 F-3378 F-3389	Max. Output	
6.	90 MHz RF Adj.	90 MHz ANT Input Minimum value with sine wave 1 kHz (100% MOD.) FM SSG	ANT terminal 300Ω	OUTPUT L-CH or R-CH VTVM. & Scope	dL1, dL2 F-3378 F-3379	Max. Output	

* Tuner Circuit Board R-5 F-3378 R-5L F-3389

(2) FM STEREO Adjustment

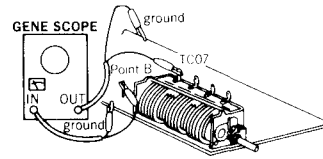
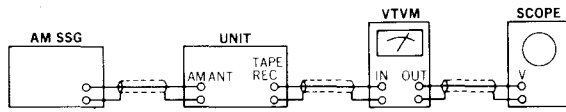
Note: FM MODE/MUTING Switch AUTO/ON

STEP	SUBJECT	FEED SIGNAL		MEASURE OUTPUT	ADJUST	ADJUST FOR	REMARKS
		FROM	TO				
1.	PLL VCO Adj.	98 MHz ANT Input 65 dBf (59.8 dB) FM SSG Pilot 19 kHz (9% MOD.) SUB 1 kHz + Pilot (100% MOD.) STEREO SG	ANT terminal 300Ω	Stereo indicator	dVR3 F-3378 F-3379	Light indicator	Adjust the VR within center of lighting level
	PLL VCO Adj. In case of using Freq. Counter	98 MHz ANT Input 65 dBf (59.8 dB) FM SSG (No MOD.)	ANT terminal 300Ω	TP4 F-3378 F-3379	dVR3 F-3378 F-3379	19 kHz + 50 Hz	
2.	Muting level Adj.	98 MHz ANT Input 20 dBf (14.8 dB) SUB 1 kHz + Pilot (100% MOD.) STEREO SG	ANT terminal 300Ω	Stereo indicator or OUTPUT L-CH or R-CH VTVM & Scope	dVR1 F-3378 F-3379	Stereo indicator turns ON or Output Signal comes out	

* Tuner Circuit Board R-5 F-3378 R-5L F-3389

2-2. AM Adjustment (See Top View on Page 8) <R-5/R-5L>

Note: BAND SELECTOR AM



(1) AM IF Adjustment & MW AM Dial Calibration

Note: BAND SELECTOR MW

STEP	SUBJECT	FEED SIGNAL		MEASURE OUTPUT	ADJUST	ADJUST FOR	REMARKS
		FROM	TO				
1.	IF Coil Adj.	Genescope Output 60 dB	eTC1 (Terminal F-3378 F-3389)	TP5 F-3378 F-3389	eCF1 eT2 F-3378 F-3389	Max. Waveform	
2.	600 kHz Dial Calibration	600 kHz ANT Input 60 dB 400 Hz (30% MOD.) AM SSG	ANT terminal	Dial Pointer	Tuning Knob	600 kHz	
				OUTPUT L-CH or R-CH VTVM & Scope	eT1 F-3378 F-3389	Max. Output	
3.	1400 kHz Dial Calibration	1400 kHz ANT Input 60 dB 400 Hz (30% MOD.) AM SSG	ANT terminal	Dial Pointer	Tuning Knob	1400 kHz	
				OUTPUT L-CH or R-CH VTVM & Scope	eTC2 F-3378 F-3389	Max. Output	
4.	600 kHz RF Adj.	600 kHz ANT Input 50 dB 400 Hz (30% MOD.) AM SSG	ANT terminal	OUTPUT L-CH or R-CH VTVM & Scope	Bar Antenna (MW) eL1	Max. Output	
5.	1400 kHz RF Adj.	1400 kHz ANT Input 50 dB 400 Hz (30% MOD.) AM SSG	ANT terminal	OUTPUT L-CH or R-CH VTVM & Scope	eTC1 F-3378 F-3389	Max. Output	

* Tuner Circuit Board R-5 F-3378 R-5L F-3389

(2) LW AM Dial Calibration <R-5L>

Note: BAND SELECTOR LW

STEP	SUBJECT	FEED SIGNAL		MEASURE OUTPUT	ADJUST	ADJUST FOR	REMARKS
		FROM	TO				
1.	170 kHz Dial Calibration	170 kHz ANT Input 60 dB 400 Hz (30% MOD.) AM SSG	ANT terminal	Dial Pointer	Tuning Knob	170 kHz	
				OUTPUT L-CH or R-CH VTVM & Scope	eT3 F-3389	Max. output	
2.	300 kHz Dial Calibration	300 kHz ANT Input 60 dB 400 Hz (30% MOD.) AM SSG	ANT terminal	Dial Pointer	Tuning Knob	300 kHz	
				OUTPUT L-CH or R-CH VTVM & Scope	eTC4 F-3389	Max. Output	
3.	170 kHz RF Adj.	170 kHz ANT Input 50 dB 400 Hz (30% MOD.) AM SSG	ANT terminal	OUTPUT L-CH or R-CH VTVM & Scope	Bar Antenna (LW) (Right Side of core eL1)	Max. Output	
4.	300 kHz RF Adj.	300 kHz ANT Input 50 dB 400 Hz (30% MOD.) AM SSG	ANT terminal	OUTPUT L-CH or R-CH VTVM & Scope	eTC3 F-3389	Max. Output	

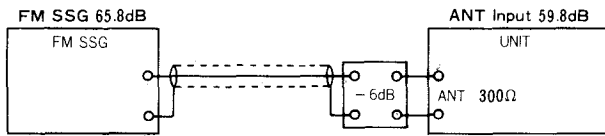
●NEW MEASUREMENT FOR FM.

Input signal level under the provision of IHFM-T-200, a new measurement method is indicated by available power ratio "dBf". To obtain approximate available power ratio "dBf", abstract 0.8 from attenuator indication of general FMSG (open load indication type); however, the former measurement, IHFM-T-100 is designated together too.

The way of modulation on IHFM-T-200 is shown below.

	modulation frequency	modulation mode	modulation factor
FM MONO	1000 Hz		100%
FM STEREO	1000 Hz	SUB	Pilot 9% Pilot + SUB 100%

- The relation between the standard input 65 dBf of IHFM-T-200 and the former indication "dB" is shown below.



●Abbreviations

<Equipment>

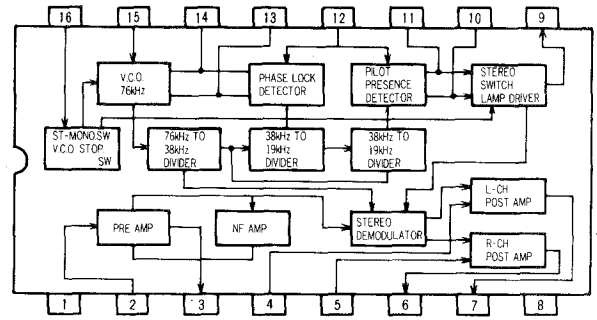
AM FM Generator Oscilloscope	Genescope
AM Standard Signal Generator	AM SSG
FM Standard Signal Generator	FM SSG
FM Stereo Generator	Stereo SG
Oscilloscope	Scope
Audio Oscillator	Audio Osc.
Distortion Meter	Dist. Meter

<Others>

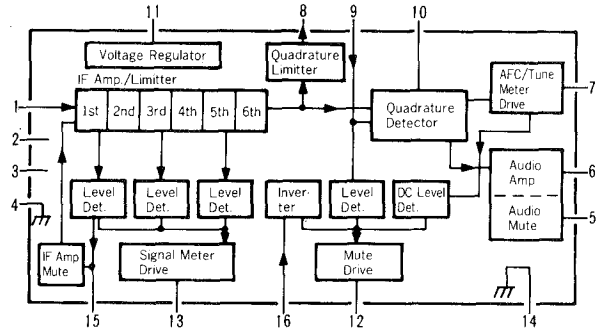
Antenna	ANT.
Modulation	MOD.
Total Harmonic Distortion	T.H.D.

◆BLOCK DIAGRAM OF IC

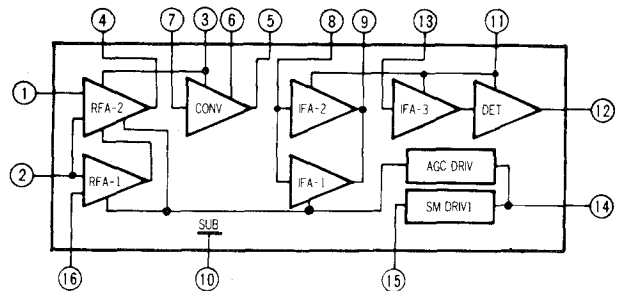
●μPC1161C



●LA1231



●LA1240

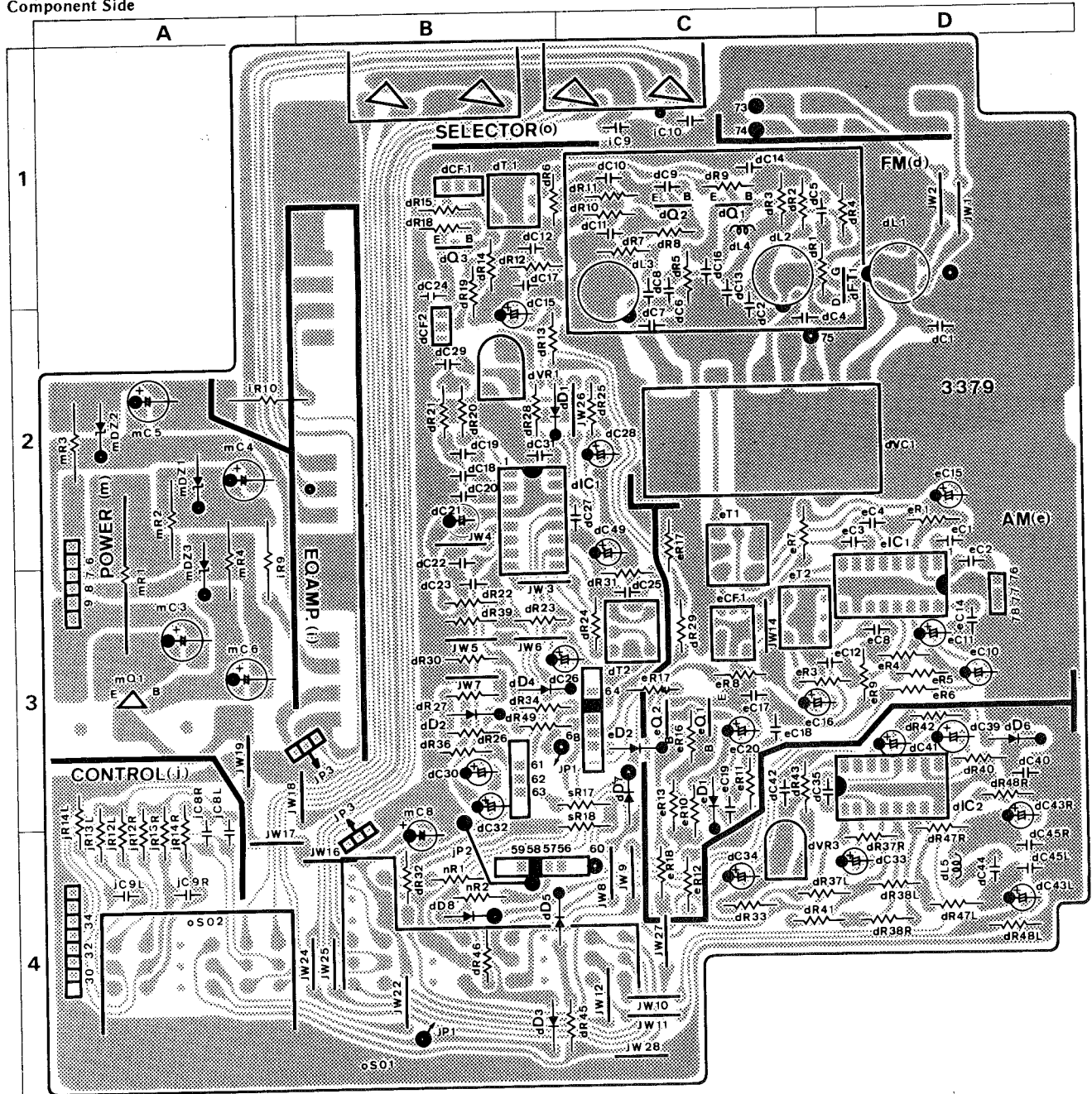


3. PARTS LOCATION & PARTS LIST

3-1. F-3378 Tuner Circuit Board (Stock No. 00637201) <R-5>

•Since some of capacitors and resistors are omitted from parts lists in this Service Manual, refer to the new Common Parts List for capacitors & resistors.

Component Side



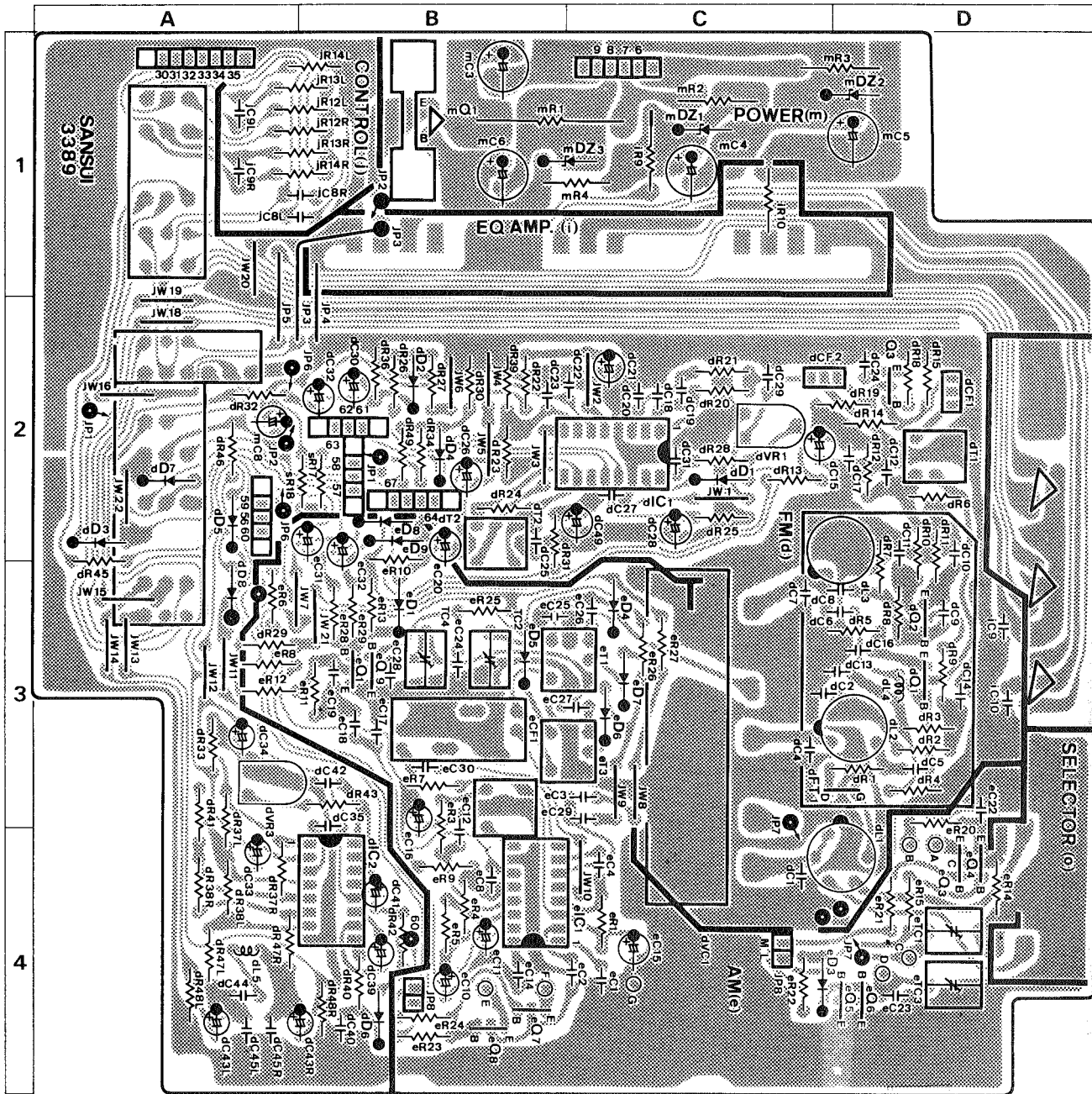
Parts List <F-3378>

Parts No.	Stock No.	Description
● Transistor		
dQ1	03063401, 2	2SC1674 - L, K
dQ2	03069500, 1	2SC668 - C, P, E1
dQ3	03069500 ~ 3	2SC668 - C, D, E1
● FET		
dFT1	03703700, 1	2SK120 - 1, 2
● IC		
dIC1	07191200	LA1231N
dIC2	03609900	UPC1161C
● Diode		
dD1	03117600	1S2473D
dD2	03117600	1S2473D
dD3	03117600	1S2473D
dD4	03117600	1S2473D
dD5	03117600	1S2473D
dD6	03117600	1S2473D
dD7	03117600	1S2473D
dD8	03117600	1S2473D
dVC1	46067100	Variable Capacitor
dCF1	09106410	10.7 MHz Ceramic Filter
dCF2	09106410	10.7 MHz Ceramic Filter
dL1	42008100	FM Antenna Coil
	42007200	FM Antenna Coil
dL2	42103500	FM RF Coil
	42103400	FM RF Coil
dL3	42204000	FM RF Coil
	42204200	FM RF Coil
dL4	49001400	1 μ H Inductor
dT1	42359300	10.7 MHz FM IF Coil
dT2	42362900	FM IF Coil
dVR1	07241000	1 k Ω B Muting Volume
dVR3	07218000	6.8 k Ω B MPX VCO Adjust Volume
eQ1	03059501, 2 07194800, 1 03068301, 2	2SC945 - Q, P 2SC1815 - Y, GR 2SC2320 - E, F
● IC		
eIC1	03608000 03603900	LA1240 HA1197
● Diode		
eD1	03117600	1S2473D
eCF1	09106100	455kHz Ceramic Filter
eL1	42010300	Bar Antenna Coil
eT1	07257300	AM OSC Coil
eT2	42306200	AM IF Coil
● Transistor		
mTR1	03083901, 1	2SD313AL - D, E
● Zener Diode		
mDZ1	03179600	RD18E - B
mDZ2	03179600	RD18E - B
mDZ3	03179000	RD13E - B
mR1	00197200	47 Ω 3W N.I.R.
oS1	07273210, 1	Selector Switch
oS2	07273100, 1 22902600	Tape Monitor Switch 4P Antenna Terminal

Parts List <F-3389>

Parts No.	Stock No.	Description
eQ1	03059501, 2 07194800, 1 03068301, 2	2SC945-Q, P 2SC1815-Y, GR 2SC2320-E, F
eQ3	07206900, 1 07254900, 1	2SC2001-M, L 2SC1741-Q, R
eQ4	07206900, 1 07254900, 1	2SC2001-M, L 2SC1741-Q, R
eQ5	03063900, 1	2SC1636-1, 2
eQ7	03063900, 1	2SC1636-1, 2
eQ8	03063900, 1	2SC1636-1, 2
eQ9	03063900, 1	2SC1636-1, 2
● IC		
eIC	03603900 03608000	HA1197 LA1240
● Diode		
eD1	03117600	1S2473D
eD3	03117600	1S2473D
eD4	03117600	1S2473D
eD5	03117600	1S2473D
eD6	03117600	1S2473D
eD7	03117600	1S2473D
eD8	03117600	1S2473D
eD9	03117600	1S2473D
eC31	08451700	1.0 μ F 50V B.E.C
eC32	08451700	1.0 μ F 50V B.E.C
eTC3	12301000	Trimmer
eTC4	12301000	Trimmer
eL1	46035700	Bar Antenna
eT1	46079000	AM OSC Coil
eT3	07258200	LW OSC Coil
eCF1	09103700	455 kHz Ceramic Filter
eT2	42306200	455 kHz AM IF Coil
● Transistor		
dQ1	03063401, 2	2SC1674-L, K
dQ2	03069500, 1 03069502	2SC668-C, D 2SC668-E1
dQ3	03069500, 1 03069502	2SC668-C, P 2SC668-E1
● FET		
dFT1	03703700, 1	2SK120-1, 2
● IC		
dIC1	07191200	LA1231N
dIC2	03609900	UPC1161C
● Diode		
dD1	03117600	1S2473D
dD2	03117600	1S2473D
dD3	03117600	1S2473D
dD4	03117600	1S2473D
dD5	03117600	1S2473D
dD7	03117600	1S2473D
dD8	03117600	1S2473D
dVC1	46067200	Variable Capacitor
dCF1	09106410	10.7 MHz Ceramic Filter
dCF2	09106410	10.7 MHz Ceramic Filter
dL1	42007200	FM RF Coil
dL2	42103400	FM RF Coil
dL3	42204000	FM RF Coil
dL4	49001400	1 MH Inductor

3-2. F-3389 Tuner Circuit Board (Stock No. 00635901) <R-5L>
Component Side



Parts No.	Stock No.	Description
dT1	42359300	10.7 MHz FM IF Coil
dT2	42362900	FM IF Coil
dVR1	07241000	1 kΩ B Muting Volume
dVR3	07218000	6.8 kΩ B MCO VCO Adjust Volume
• Transistor		
mTR1	03083901, 2	2SD313AL-D, E

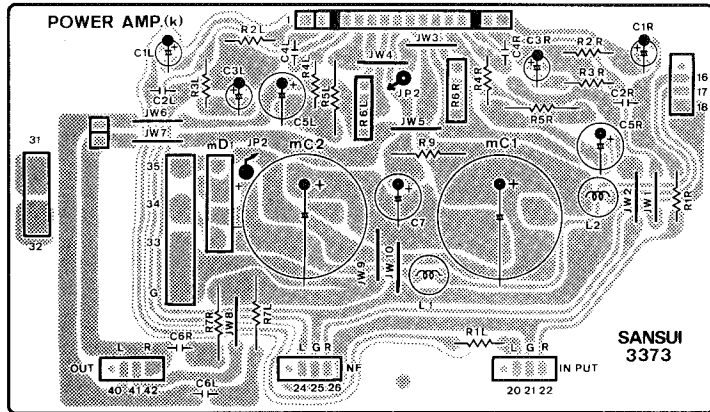
Parts No.	Stock No.	Description
• Zener Diode		
mDZ1	03179600	RD18E-B
mDZ2	03179600	RD18E-B
mDZ3	03179000	RD13E-B
mR1	00054400	470 Ω 3W Ce. R
oS1	07273000, 1	Selector Switch
oS2	07273100, 1	Tape Monitor Switch
oS3	07252600, 1	Speaker Switch
	22902600	4P Antenna Terminal

Filter
oil

Filter
Filter

3-3. F-3373 Power Amp. Circuit Board (Stock No. 00640301) <R-5/R-5L>

Component Side

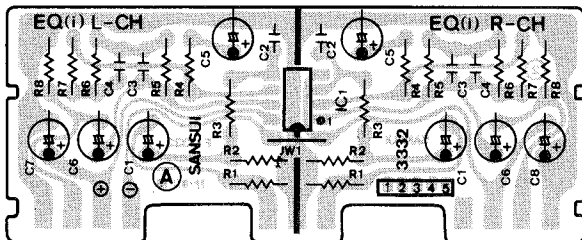


Parts List

Parts No.	Stock No.	Description
• IC		
kIC1	07254400	STK465A
kR6	07253600	0.33 Ω 5W Ce. R
• Diode		
mD1	07193300	UB-152LFF
mC1	08301000	3300 μF 42V E.C
mC2	08301000	3300 μF 42V E.C
mC10	08680400	10000pF 500V C.C

3-4. F-3332 Equalizer Circuit Board (Stock No. 00616801) <R-5/R-5L>

Component Side

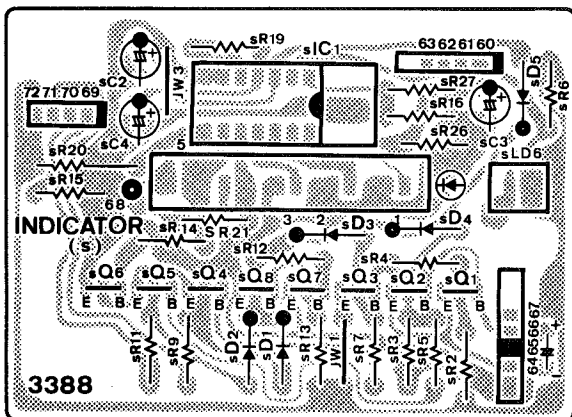


Parts List

Parts No.	Stock No.	Description
• IC		
iIC1	07208900	NJM4558D-X
iC1	46034800	2.2 μF 50V

3-5. F-3388 Indicator Circuit Board (Stock No. 00637301) <R-5/R-5L>

Component Side



Parts List

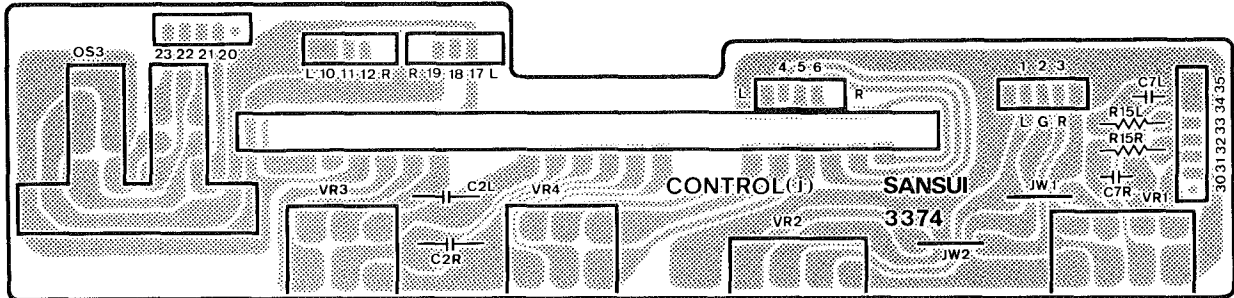
Parts No.	Stock No.	Description
	07581600	5 Pin LED Holder
	07581900	1 P LED Holder
• Transistor		
sQ1	03069400,1,2	2SC2021-Q, R, S
	07299701,2	2SC2603-E, F
sQ2	03012500,1,2	2SA786-Q, R, S
	07299601,2	2SA1115-E, F
	46086600,1	2SA937 Q, R
sQ3	03012500,1,2	2SA786-Q, R, S
	07299601,2	2SA1115-E, F
	46086600,1	2SA937 Q, R

Parts No.	Stock No.	Description
sQ4	03069400,1,2	2SC2021-Q, R, S
	07299701,2	2SC2603-E, F
sQ5	03069400,1,2	2SC2021-Q, R, S
	07299701,2	2SC2603-E, F
sQ6	03069400,1,2	2SC2021-Q, R, S
	07299701,2	2SC2603-E, F
sQ7	03069400,1,2	2SC2021-Q, R, S
	07299701,2	2SC2603-E, F
sQ8	03069400,1,2	2SC2021-Q, R, S
	07299701,2	2SC2603-E, F
• IC		
sIC1	03611600	LB1416
• Diode		
sD1	03117600	1S2473D
sD2	03117600	1S2473D
sD3	03117600	1S2473D
sD4	03117600	1S2473D
sD5	03117600	1S2473D
• LED		
sLD1	07246200	SEL1710K
sLD2	07246200	SEL1710K
sLD3	07246200	SEL1710K
sLD4	07246200	LED SEL1710K
sLD5	07246200	LED SEL1710K
sLD6	03193700	LED SEL11105 (Red)
sR20	00184900	82 Ω 1W N.I.R

Note: The circuit board, F-3374, F-3334 & F-3377 are not supplied as the assembled.
However, the individual parts on the circuit board are probed by orders.

3-6. F-3374 Control Circuit Board <R-5/R-5L>

Component Side



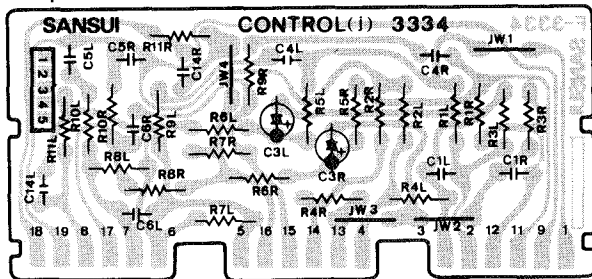
Parts List

Parts No.	Stock No.	Description
jVR1	46035600, 1	150 kΩ B x 2 Volume
jVR2	46121900	250 kΩ W Balance Volume
jVR3	46118100	50 kΩ C x 2 Treble Volume

Parts No.	Stock No.	Description
jVR4	46118100	50 kΩ C x 2 Bass Volume
oS3	07252600, 1	Speaker Switch

3-7. F-3334 Tone Control Circuit Board <R-5/R-5L>

Component Side

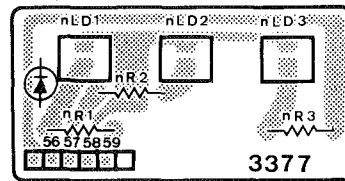


Parts List

Parts No.	Stock No.	Description
jC1	07216500	39000 pF 25V C.C
jC4	07215600	6800 pF 25V C.C
jC5	07216800	68000 pF 25V C.C
jC12	07211700	1000 pF 25V C.C
jC13	07215800	10000 pF 25V C.C

3-8. F-3377 Indicator Circuit Board

Component Side



Parts List

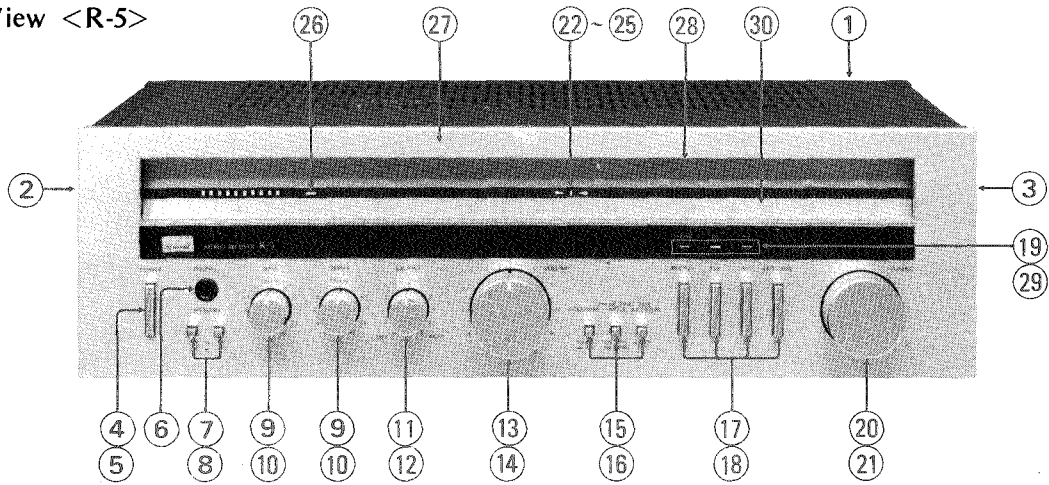
Parts No.	Stock No.	Description
	07581900	1P LED Holder
nLD1	03193700	SEL1110S LED
nLD2	03193700	SEL1110S LED
nLD3	03193700	SEL1110S LED

● Abbreviations

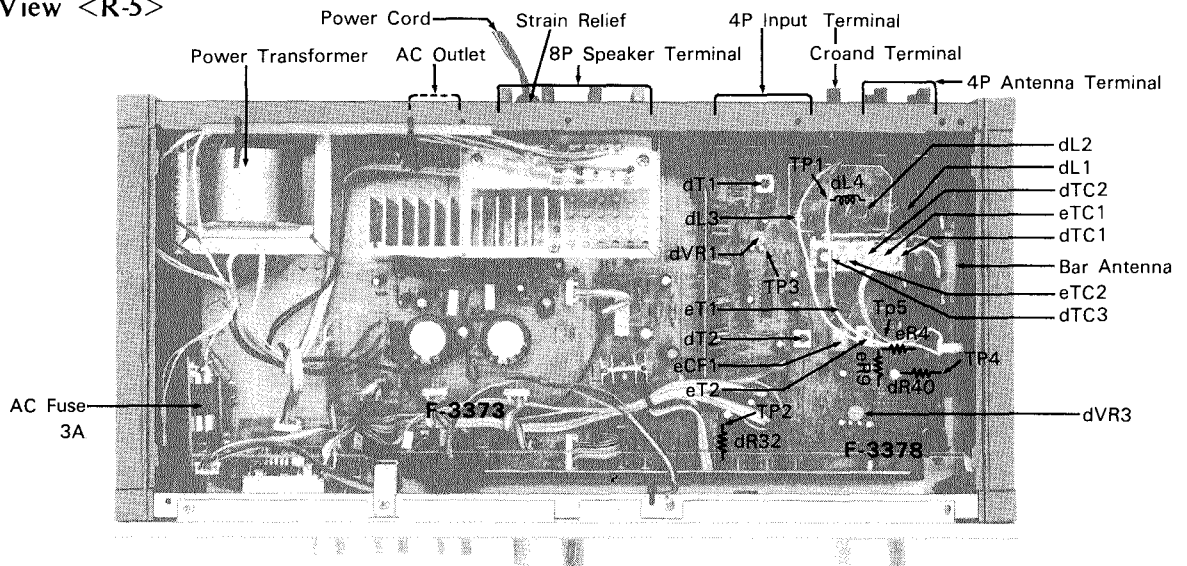
C.R.	Carbon Resistor	E.L.	Low Leak Electrolytic Capacitor
S.R.	Solid Resistor	E.B.	Bi-Polar Electrolytic Capacitor
Ca.R.	Cement Resistor	E.BL.	Low Leak Bi-Polar Electrolytic Capacitor
M.R.	Metal Film Resistor	Ta.C.	Tantalum Capacitor
F.R.	Fusing Resistor	F.C.	Film Capacitor
N.I.R.	Non-Inflammable Resistor	M.P.	Metalized Paper Capacitor
C.C.	Ceramic Capacitor	P.C.	Polystyrene Capacitor
C.T.	Ceramic Capacitor, Temperature Compensation	G.C.	Gimmic Capacitor
E.C.	Electrolytic Capacitor		

4. OTHER PARTS

4-1. Front View <R-5>



4-2. Top View <R-5>



Parts List <R-5/5L>

Parts No.	Stock No.	Description
1	07601300	Bonnet
2	07601910	Side Panel (L - CH)
3	07602010	Side Panel (R - CH)
4	46087300	Power Switch
5	07580300	Knob, Power Switch
6	24306000	Head Phone Jack
7	07252600	Speakers Switch
8	07580100	Knob, Speakers Switch
9	46118100	Tone Control Volume, 50 kΩ C
10	07777600	Knob, Tone Control Volume
11	46121900	Balance Volume, 250 kΩ W
12	07777600	Knob, Balance Volume
13	46035600	Volume, 150 kΩ B
14	07614100	Knob, Volume
15	07273100	Loudness, FM Mode, Tape Monitor Switch
16	07580100	Knob, Loudness Switch etc.
17	07273210	Input Selector Switch
18	07580300	Knob, Input Selector Switch
19	03193700	Input Indicator
20	07696500	Tuning Unit
21	07738100	Knob, Tuning Unit
22	07654700	Rod, Dial Pointer Holder
23	07654810	Dial Pointer Holder
24	07654600	Clip, Dial Cord

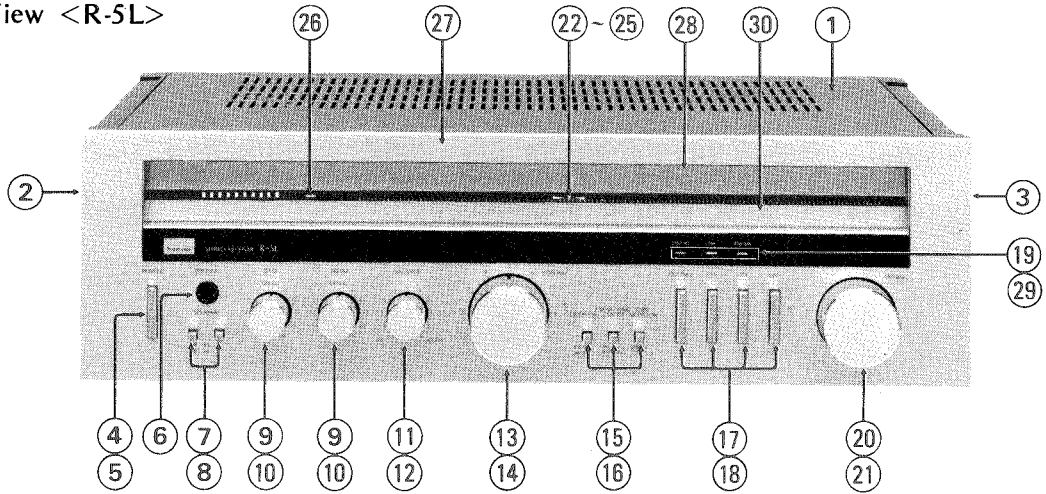
(See Fig. 6-2 on Page 11)

Parts No.	Stock No.	Description
25	07264700	Tuning Indicator, SEL 8819
26	03193700	LED, SEL 111 OS
	22301500	Ground Terminal
	07601200	Leg
	07183300	8P Speaker Terminal
	07249100	4P Input Terminal
	22902600	4P Antenna Terminal

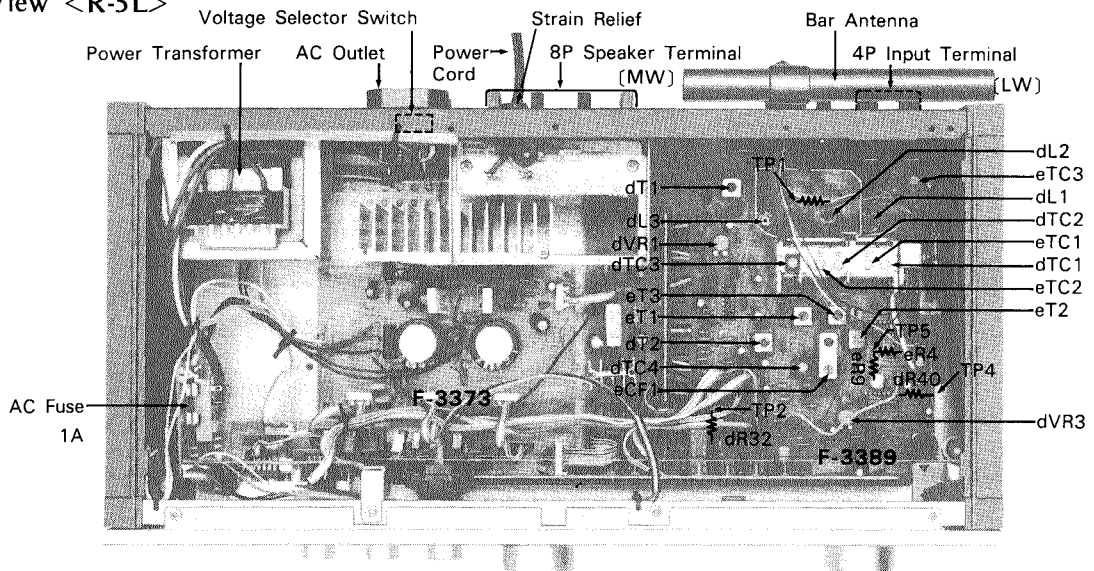
Parts List <R-5 Only>

Parts No.	Stock No.	Description
27	07727700	Front Panel Ass'y
18	07580300	Push Bottom, big
8	07580100	Push Bottom, small
28	07727400	Smoked Plate
29	07662400	Deffusion Sheet
30	07697900	Dial Scale
	07189600	AC Outlet
	15001901	Power Transformer
	38004700	AC Cord
	39106000	Strain Relief
	07188800	AC Fuse, 3A

4-3. Front View <R-5L>



4-4. Top View <R-5L>



Parts List <R-5/5L>

Parts No.	Stock No.	Description
1	07601300	Bonnet
2	07601910	Side Panel (L - CH)
3	07602010	Side Panel (R - CH)
4	46087300	Power Switch
5	07580300	Knob, Power Switch
6	24306000	Head Phone Jack
7	07252600	Speakers Switch
8	07580100	Knob, Speakers Switch
9	46118100	Tone Control Volume, 50 kΩ C
10	07777600	Knob, Tone Control Volume
11	46121900	Balance Volume, 250 kΩ W
12	07777600	Knob, Balance Volume
13	46035600	Volume, 150 kΩ B
14	07614100	Knob, Volume
15	07273100	Loudness, FM Mode, Tape Monitor Switch
16	07580100	Knob, Loudness Switch etc.
17	07273210	Input Selector Switch
18	07580300	Knob, Input Selector Switch
19	03193700	Input Indicator
20	07696500	Tuning Unit
21	07738100	Knob, Tuning Unit
22	07654700	Rod, Dial Pointer Holder
23	07654810	Dial Pointer Holder
24	07654600	Clip, Dial Cord

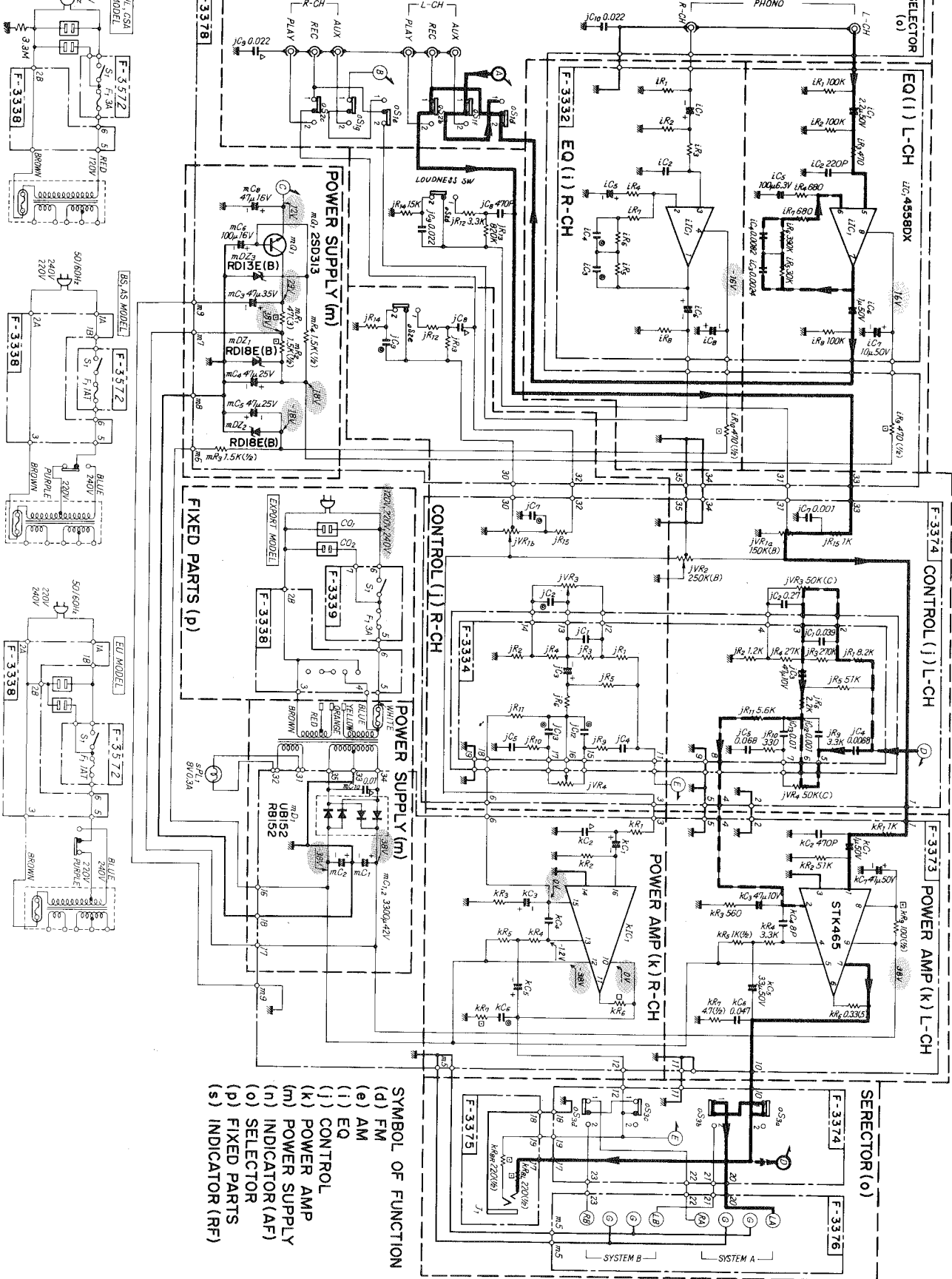
(See Fig. 6-2 on Page 11)

Parts No.	Stock No.	Description
25	07264700	Tuning Indicator, SEL 8819
26	03193700	LED, SEL 111 OS
	22301500	Ground Terminal
	07601200	Leg
	07183300	8P Speaker Terminal
	07249100	4P Input Terminal
	22902600	4P Antenna Terminal

Parts List <R-5L Only >

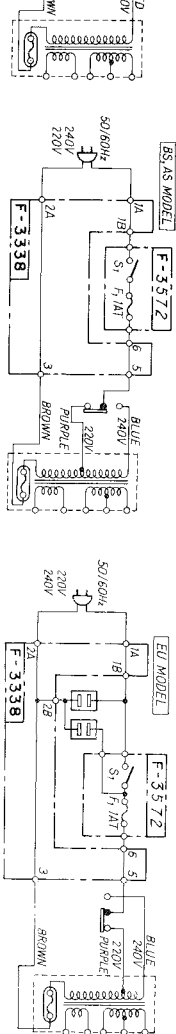
Parts No.	Stock No.	Description
27	07727800	Front Panel Ass'y
18	07580300	Push Bottom, big
8	07580100	Push Bottom, small
28	07727500	Smoked Plate
29	07662400	Diffusion Sheet
30	07698000	Dial Scale
	07217400	AC Outlet (EU)
	15001905	Power Transformer
	38004300	AC Cord (BS)
	39104900	Strain Relief
	38004500	AC Cord (EU)
	46035700	Bar Antenna
	07204700	Voltage Selector Switch
	07184700	AC Fuse, 1A

S2a
 1. MANUAL 1. ON 1. A
 2. AUTO 2. OFF 2. B

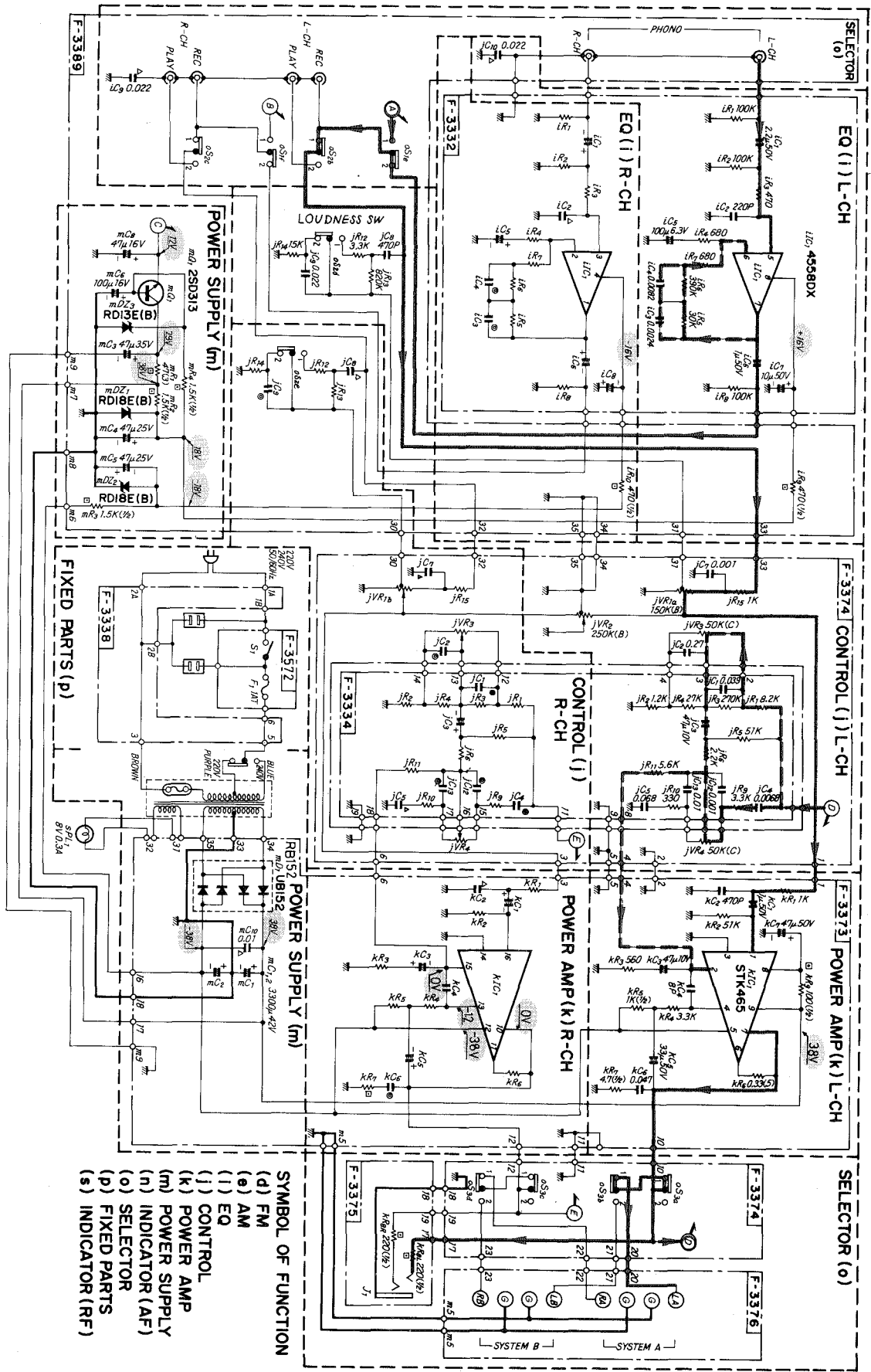


- SYMBOL OF FUNCTION**
- (d) FM
 - (e) AM
 - (i) EQ
 - (j) CONTROL
 - (k) POWER AMP
 - (m) POWER SUPPLY
 - (n) INDICATOR (AF)
 - (o) SELECTOR
 - (p) FIXED PARTS
 - (s) INDICATOR (RF)

SPEAKERS 28W + 25W / 8Ω



5-2. MODEL R-5L



- SYMBOL OF FUNCTION**
- (d) FM
 - (e) AM
 - (i) EQ
 - (j) CONTROL
 - (k) POWER AMP
 - (m) POWER SUPPLY
 - (n) INDICATOR (AF)
 - (o) SELECTOR
 - (p) FIXED PARTS
 - (s) INDICATOR (RF)

SELECTOR	TAPE MONITOR	SP SW
o5 (a, b, c)	o5 (b, c)	o5 (c, d)
o5 (b, c)	1, OFF	1, A
o5d	2, ON	2, B
FM AUTO/ MONO	SP SW	
o5a	1, MONO	o5 (a, b) 1, ON
	2, AUTO	2, OFF

- Mylar
- P.P. Bi-Polar Electrolytic
- Polyethylene
- Non-Flammable Resistor
- Carbon Resistor

59 59
 a.d.s. SELLIOS
 F-3377
 INDICATOR (h)

F-3388
 INDICATOR (s)
 s.d.s. SELTIOK

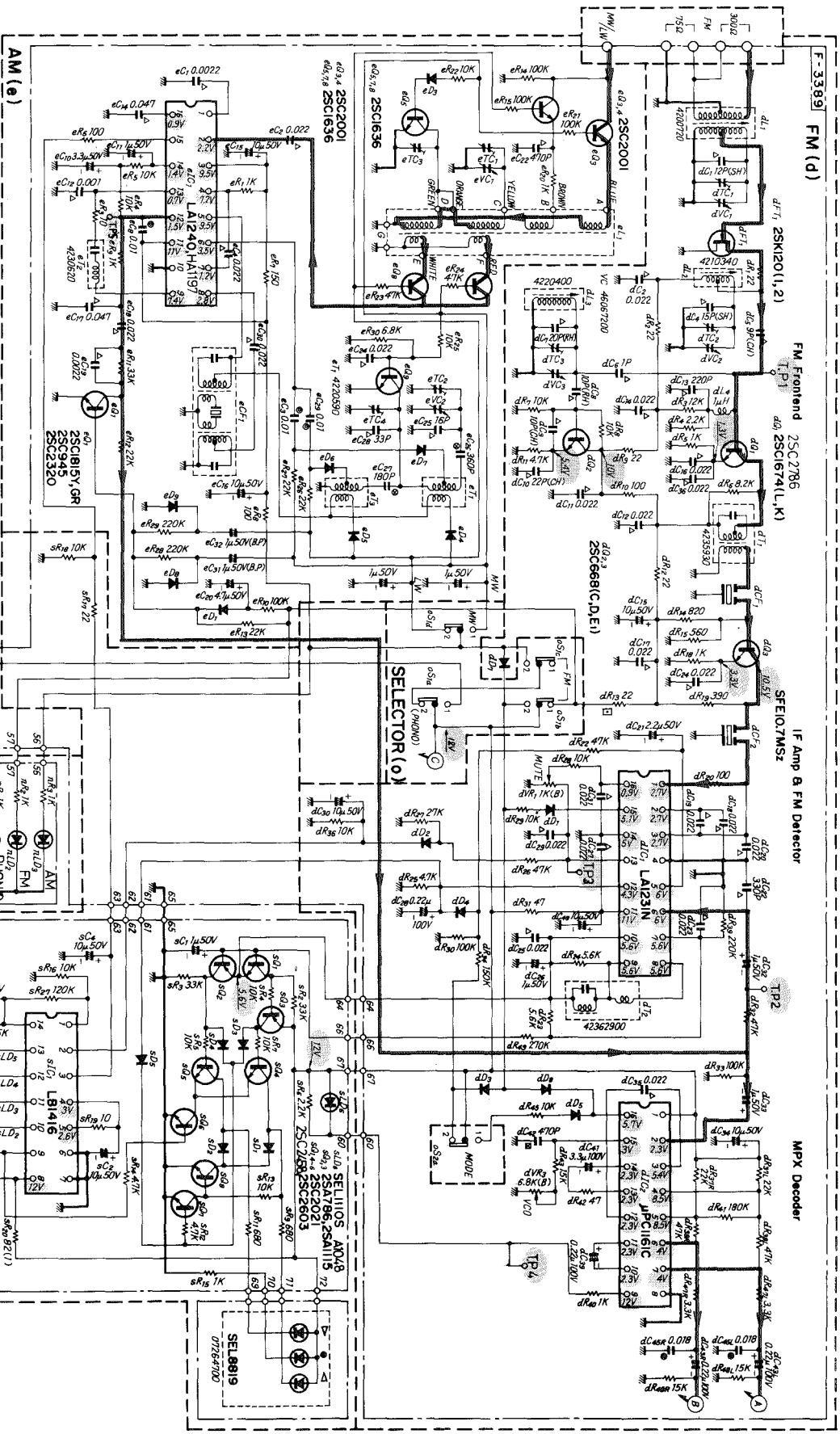
SPEAKERS 25W + 25W / 8Ω

• La présentation et les spécifications sont susceptibles d'être modifiées sans préavis par suites d'améliorations éventuelles.
 • Änderungen, die dem technischen Fortschritt dienen, bleiben vorbehalten.
 • Design and specifications subject to change without notice for improvement.

Unless otherwise noted, IS2473D, US1035, IS1588

SELECTOR	TAPE MONITOR	SP SW
o5j (a, a, f, j) PHONO	o5j (b, c)	o5j (c, d)
o5j (b, c) FM	1 OFF	1, A
o5j 4 MW	2, ON	2, B
FM AUTO / MONO	SP SW	
o58a	1, MONO	
	2, AUTO	

- SYMBOL
- △ Ceramic Capacitor
 - Mylar
 - B.P. Bi-Polar Electrolytic
 - ⊖ Polystyrene
 - ⊖ Non-Flammable Resistor
 - Cement Resistor



- 2SC945
- 2SC1874
- 2SC2001
- 2SC2320
- 2SC1815
- 2SC1636
- 2SD313
- 2SA786
- 2SC2021
- 2SC668
- 2SC2603
- 2SK120
- 4558D
- LA1231N
- LA1240
- PC1161C
- LB1416
- STK465
- UB152
- RB152
- IS1588
- IS2473D
- RD13E(B)
- IS1588

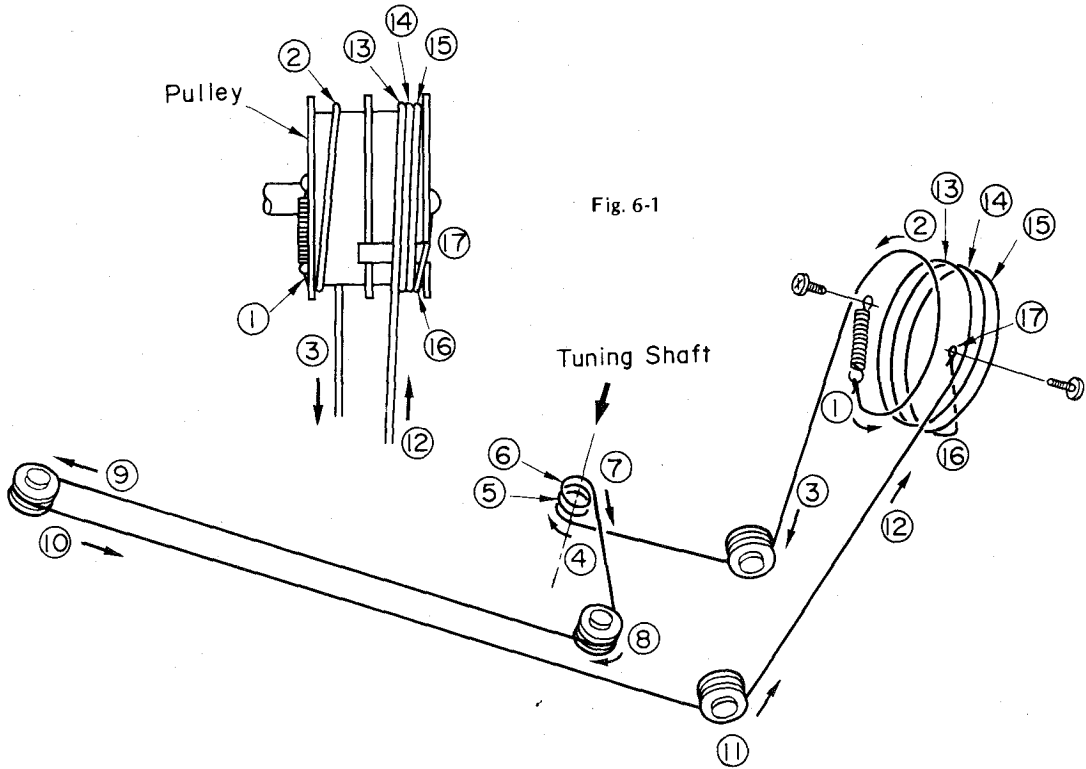
6. REPLACEMENT OF DIAL CORD

- If a dial cord is cut off or slips, replace it by following procedures. As this unit uses 0.5 mmφ cord, please replace it with the same type certainly.

6-1. Threading of Dial Cord

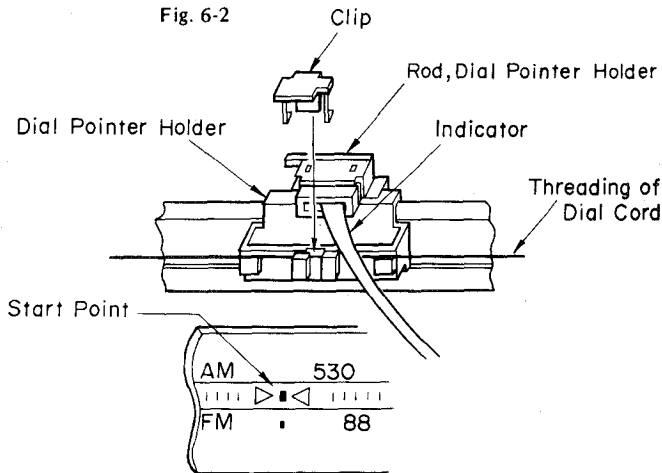
Thread the dial cord in numerical order from ① to ⑰ as Fig. 6-1.

- Close the variable capacitor completely.
- * Dial Cord (0.5 mmφ) (Stock No. 60360500)
- * Dial Pulley, D-44 Type (Stock No. 07776900)



6-2. Attachment of Dial Pointer

1. Close the variable capacitor completely.
 2. Set the dial pointer to the start point, the line at the left end of the dial scale. (Fig. 6-2)
- * Confirm that the dial pointer runs smoothly on the dial scale by turning the turning shaft.



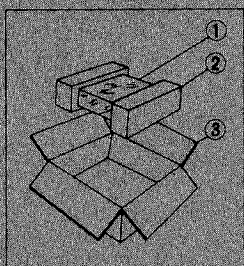
7. PACKING LIST

7.1. <R-5>

Parts No.	Stock No.	Description
1	91263810	Polyethylene Bag
2	07641000	Styrofoam Packing
3	07737600	Carton Case

7.2. <R-5L>

Parts No.	Stock No.	Description
1	91263810	Polyethylene Bag
2	07641000	Styrofoam Packing
3	07737700	Carton Case



8. ACCESSORY LIST

8-1. <R-5>

Stock No.	Description
07670000	Operating Instruction
46051700	FM Antenna

8-2. <R-5L>

Stock No.	Description
07670100	Operating Instruction
46051700	FM Antenna

SANSUI ELECTRIC COMPANY LTD.,
SANSUI ELECTRONICS CORPORATION:

SANSUI ELECTRONICS (U.K.) LTD.,
SANSUI ELECTRONICS G.M.B.H.:

14-1, Izumi 2-chome, Suginami-ku, Tokyo 168 Japan PHONE (03) 323-1111/TELEX:232-2076
1250 Valley Brook Ave. Lyndhurst, N.J. 07071 U.S.A.
333 West Alondra Blvd. Gardena, California 90247 U.S.A.
3056 Koapaka St. Honolulu, Hawaii 96819 U.S.A.
Unit 10A, Lyon Industrial Estate, Rockware Avenue, Greenford, Middx UB6, OAA, England
Arabella center, 8 Frankfurt AM Main, Lyoner Strasse 44-48, West Germany