

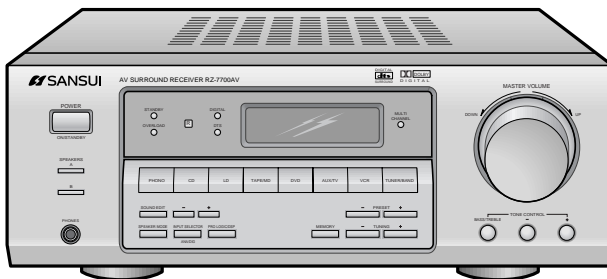
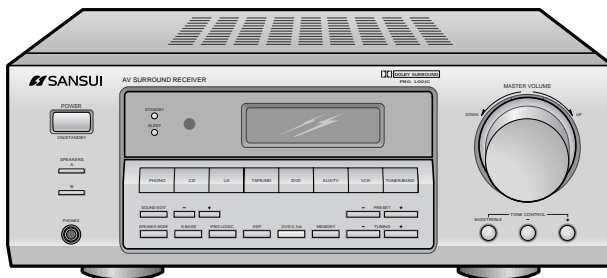


## AV RECEIVER

RZ-3700AV/RZ-5700AV/RZ7700AV

# SERVICE Manual

### AV RECEIVER



### CONTENTS

1. Specifications
2. Adjustment
3. Block Diagrams
4. Schematic Diagrams
5. Wiring Diagram
6. PCB Diagrams
7. Mechanical Parts List
8. Electrical Parts List

\*Design and specifications are subject to change without notice for improvements

\*CAUTION : Parts identified the SAFETY symbol( ⚠ ) on the schematic diagram and the parts list are critical for safety.

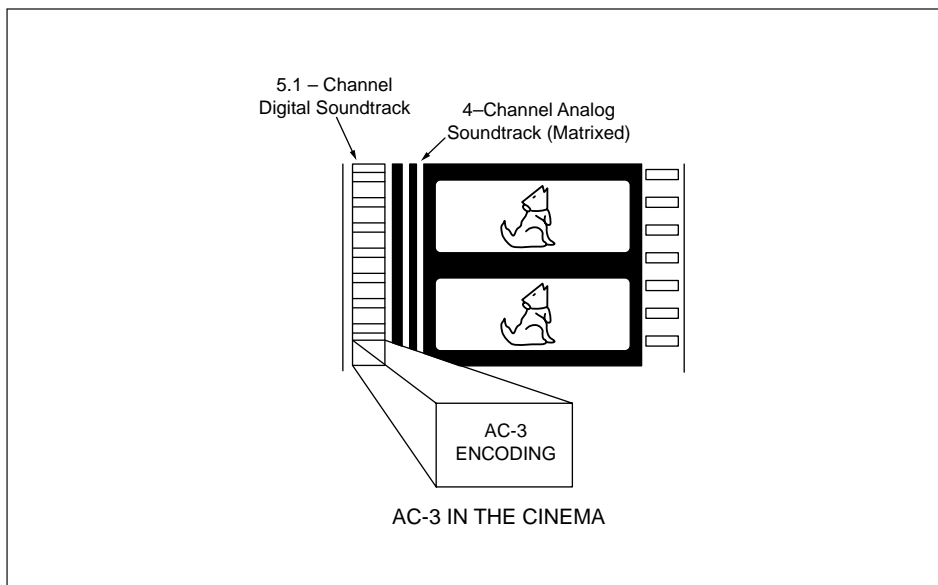
Use only replacement parts that have critical characteristics recommended by the manufacturer.

---

# DOLBY DIGITAL SURROUND

---

Dolby Laboratories spearheaded home theater with the introduction of Dolby Surround, and then defined it with the follow-up format Dolby Pro-Logic Surround. They have continued the evolution of home theater with the introduction of Dolby Digital Pro-Logic, a Multi-Channel Digital delivery system. Just as Dolby Surround found its beginnings in the cinema, so does Dolby Digital. This advanced multi-channel digital sound, although originally conceived for and later chosen for HDTV, made it practical to implement in the cinema because it enabled the film to retain the analog soundtrack. With backwards compatibility a priority so the film could be played in any cinema, it was decided to place the new digital optical track between the sprocket holes, which was a key factor in defining its maximum practical bit rate (see illustration).



In 1992 Dolby Surround Digital, the film sound format with Dolby Digital as its keystone, made its debut in the cinema. In less than three years, more than 300 feature films had been released in this new format, and nearly 1,500 cinemas had been equipped for playback of the digital soundtrack. Furthermore, Dolby Digital can now be brought to the consumer's home today via the LaserDisc.

Traditional Pulse Code Modulation (PCM), which is utilized on compact discs and LD's 4-channel matrixed digital audio tracks, uses a 16-bit word to "describe" the sampled point in the original analog wave. By sampling this analog wave 44,100 times per second for each channel, the system will yield a dynamic range of 96 dB from the loudest sound to the noise floor. However, this process creates an immense amount of data which is too large for multi-channel systems. Thus, a form of data reduction must be employed to reduce the total amount of information without serious degradation of the sound quality – hence the introduction of Dolby Digital.

The premise of Dolby Digital is simple, it reproduces the full bit resolution (16-bit) when a lower resolution will not result in the same sound quality. However, when a lower resolution is acceptable, it will utilize this lower resolution option instead for psychoacoustical theories and digital noise filtering technologies to help insure acceptable sound quality.

# 1. Specifications

---

## AMPLIFIER

<b>OUTPUT POWER</b> .....	<b>RZ-5700AV/RZ-7700AV</b>
<b>STEREO (6OHM, 0.09%, 1KHz)</b>	<b>130W + 130W</b>
<b>5CH (6OHM, 0.3%, 1KHz)</b>	
FRONT L, R	100W + 100W
CENTER	100W
REAR L,R	100W + 100W
<b>OUTPUT POWER</b> .....	<b>RZ-3700AV</b>
<b>STEREO (6OHM, 0.09%, 1KHz)</b>	<b>70W + 70W</b>
<b>5CH (6OHM, 0.3%, 1KHz)</b>	
FRONT L, R	50W + 50W
CENTER	50W
REAR L,R	50W + 50W
S/N RATIO(INPUT SHORT, IHF A FILTER)	90dB(RZ3700AV/RZ5700AV),95dB(RZ7700AV)
SEPARATION(INPUT SHORT, 1KHz)	72dB
MINIMUM NOISE	0.3mV
CROSSTALK(1KHz)	73dB

---

## TUNER

### FM

USABLE SENSITIVITY(DISTORTION 3%)	2dBu
IMAGE REJECTION RATIO	80dB
S/N MONO	80dB
S/N STEREO	70dB
SEPARATION	40dB
TOTAL HARMONIC DISTORTION (MONO)	0.30%

---

### AM

USABLE SENSITIVITY	51dB
S/N RATIO	50dB
TOTAL HARMONIC DISTORTION	0.6%

---

## VIDEO Section

<b>Input sensitivity and impedance</b>	1.0 V P-P/75 ohms
<b>Output level and impedance</b>	1.0 V P-P/75 ohms

---

## SURROUND Section

<b>Delay time</b> .....	<b>RZ-3700AV/RZ-5700AV</b>
DOLBY SURROUND	15~30mS
THEATER SURROUND	5~50mS
HALL, DOME, NATURAL SURROUND	5~100mS

<b>Delay time</b> .....	<b>RZ-7700AV</b>
<b>DOLBY PRO LOGIC</b>	
REAR SPEAKER	15~30mS
<b>DOLBY DIGITAL</b>	
CENTER SPEAKER	0~5mS
REAR SPEAKER	0~15mS

---

## Others

<b>Power requirements.</b>	230V, 50/60 Hz
For Taiwan	120V (60 Hz)
For Europe	230V, 50 Hz
Power consumption	390 watts 490 VA
	560 watts Maximum / 1,300 watts Maximum(RZ-7700AV)
<b>Dimensions</b>	420 mm (16~15/16") W
	130 mm (5~11/16") H
	343 mm (13~13/16") D
<b>Weight</b>	14 kg (RZ-3700AV),15 kg (RZ-5700AV),13.5 kg (RZ-7700AV)

---

## 2. Adjustment(RZ-3700AV/RZ-5700AV/RZ-7700AV)

### 2-1 Instrument

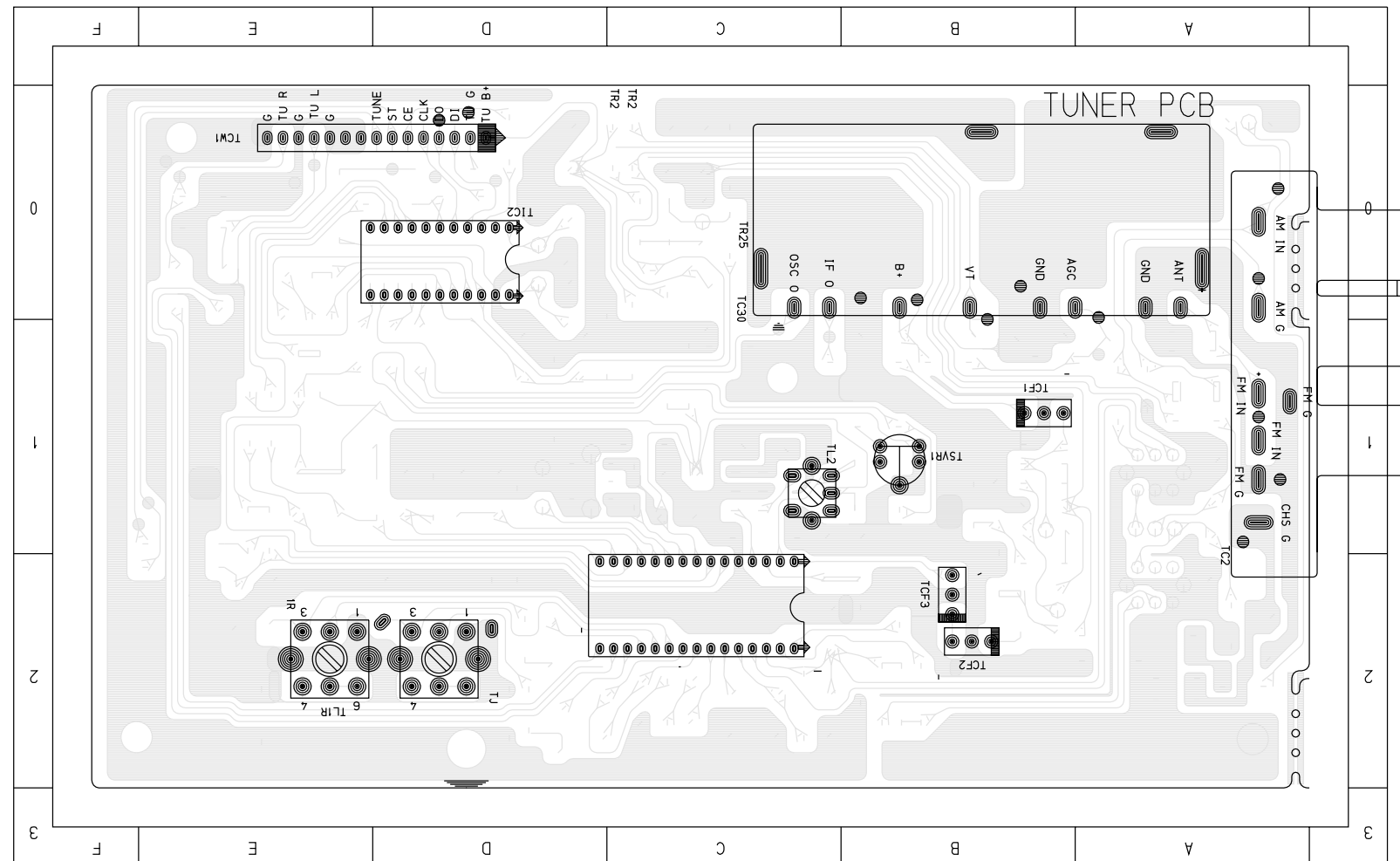


Fig 2-1 Location of Adjustment Point

#### 2-1-1 Test Equipment

1. AM/FM Standard Signal Generator (S.S.G)  
- FM : 1KHz, 75KHz(MOD)    - AM :400Hz , 30% MOD    - OUTPUT LEVEL : 50mW
2. Oscilloscope
3. VTVM
4. Frequency counter
5. Loop antenna
6. Dummy load (6Ω)
7. DC voltmeter
8. FM Stereo Modulator

#### 2-1-2 Pre-Adjustment

1. Check the source voltage
2. Press TUNER/BAND to select the AM(MW) function.
3. Set the volume control to mid position.
4. Set volume control to approximately 50mW(6ohm)

## 2-2 Tuner Section

### 2-2-1 FM Adjustment

Step	Item	Connection	SSG.FREQ.	THD/AUTO SEARCH Adjustment	Adjust. Point	Remark
1	THD Adjustment	Fig 2-2	98 MHz	Minimum 0.5%	TL2	Best resonating point of SSG
2	FM Auto Serach Level	Fig 2-2	98 MHz	-	TSVR1	Turn SSG output 29dB

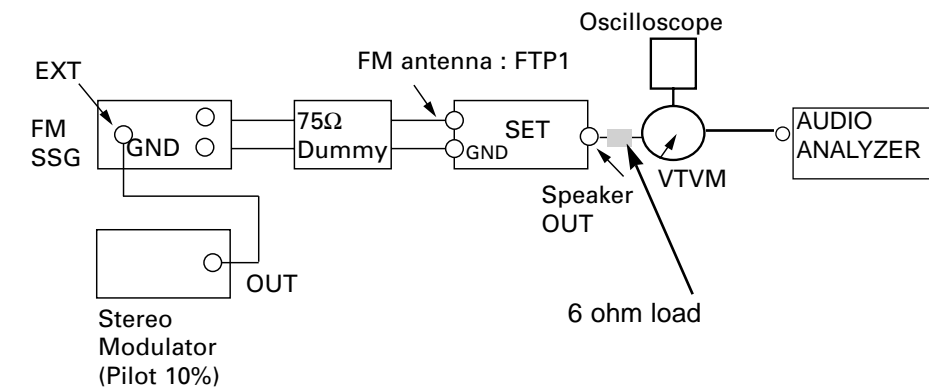


Fig. 2-2 FM Adjustment

### 2-2-2 AM Adjustment(2BAND)

Step	Item	Connection	SSG.FREQ.	FREQ. Setting	Adjust. Point	Remark
1	AM tracking adjustment	Fig 2-3	594 KHz	594 KHz	TL2 (BLK)	Maximum output

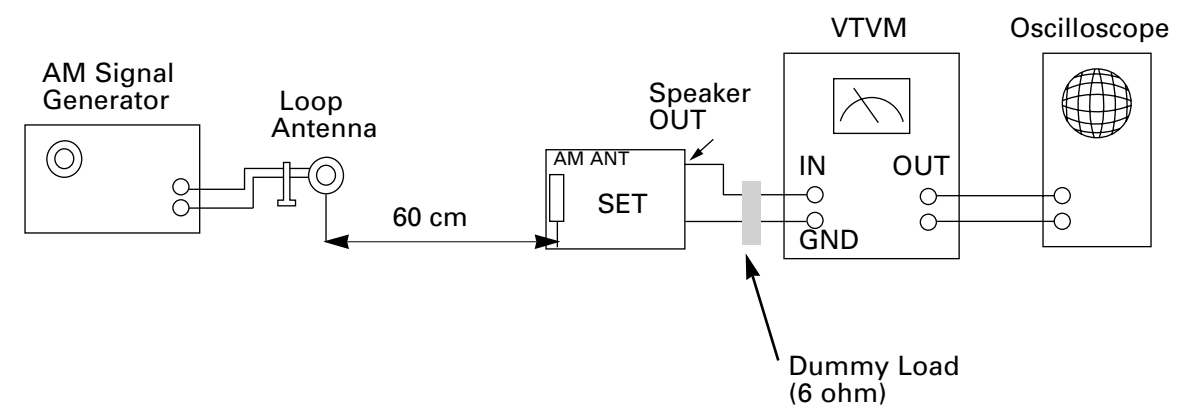
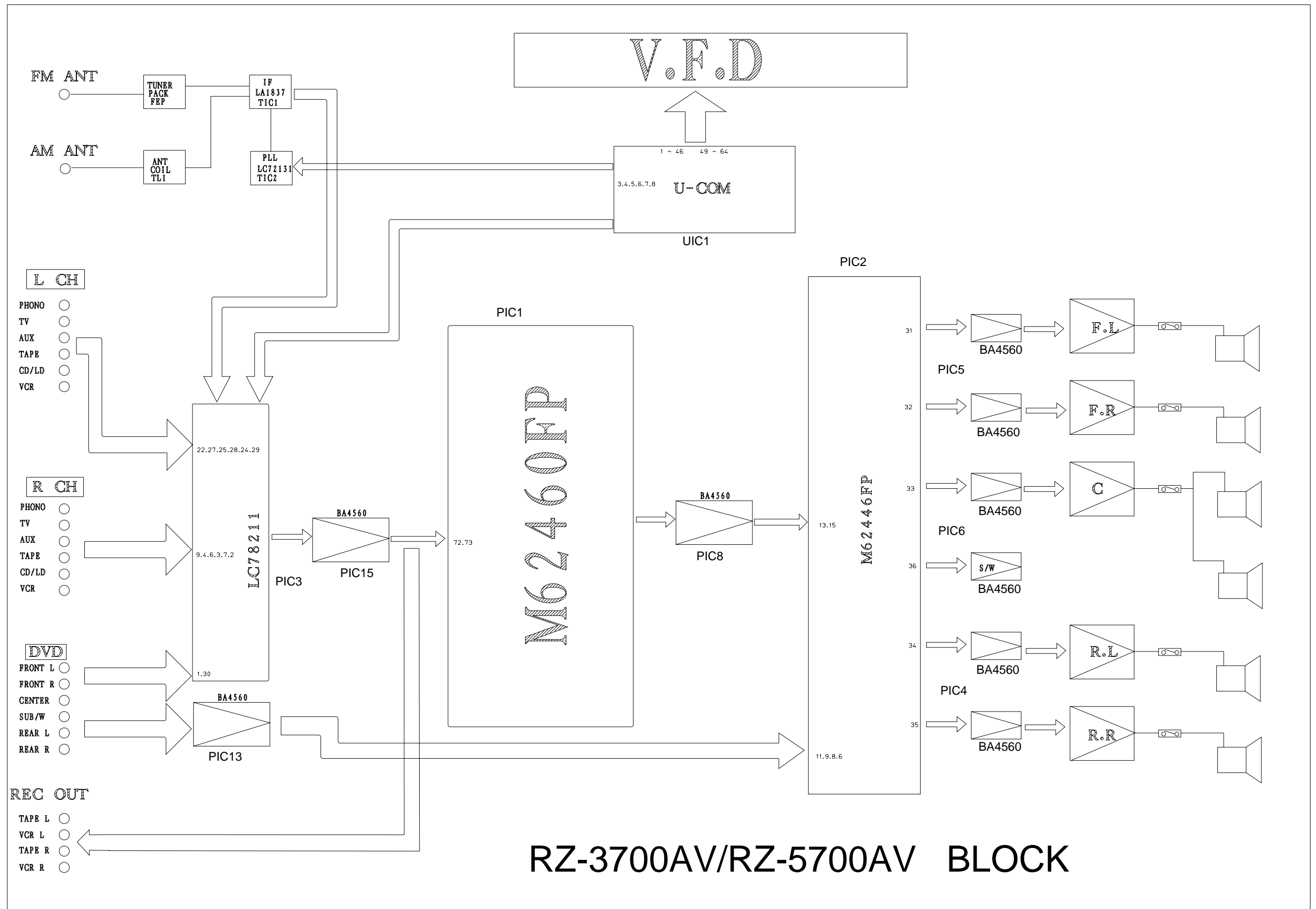
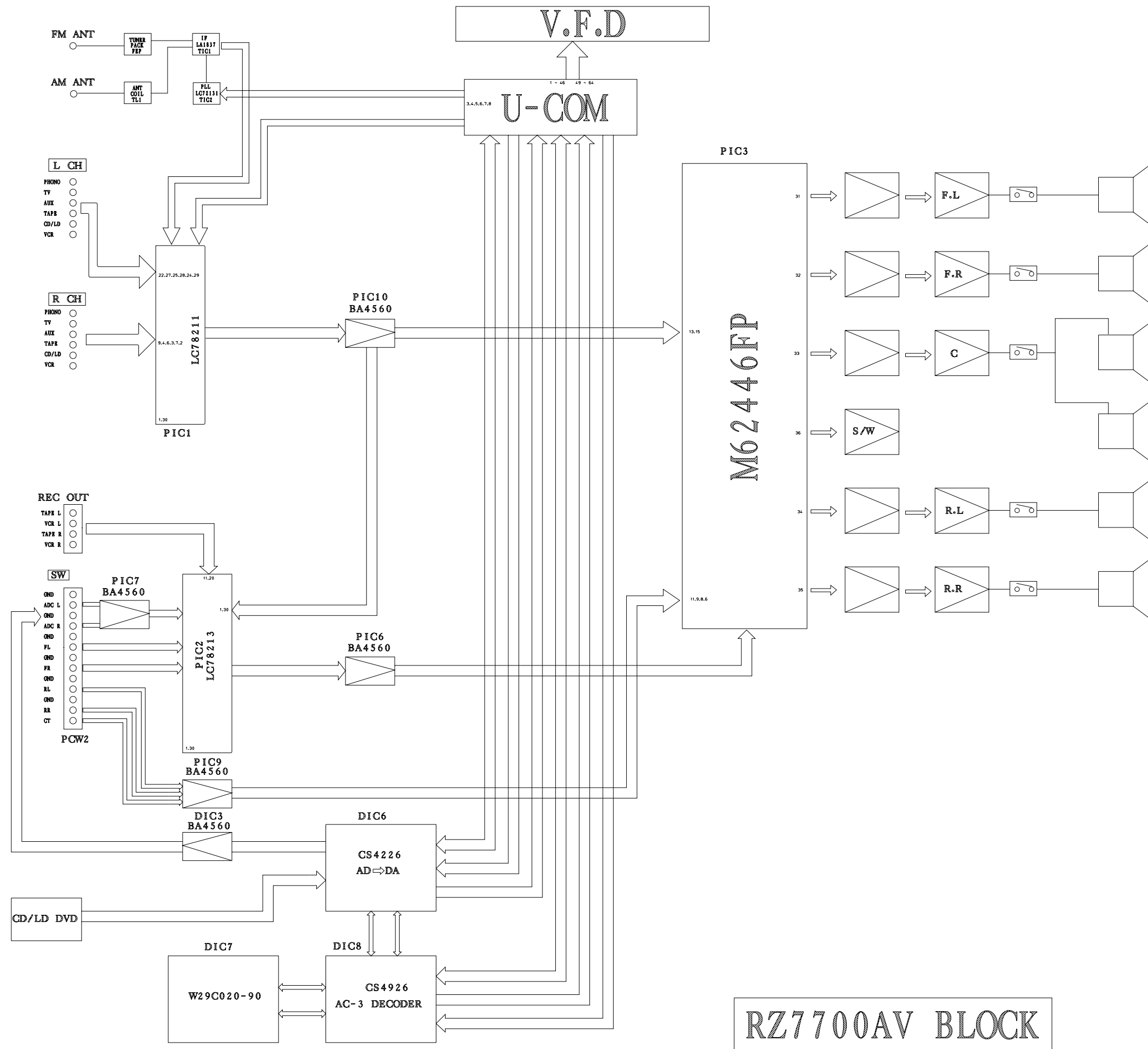


Fig . 2-3 AM Adjustment

### 3. Block Diagram



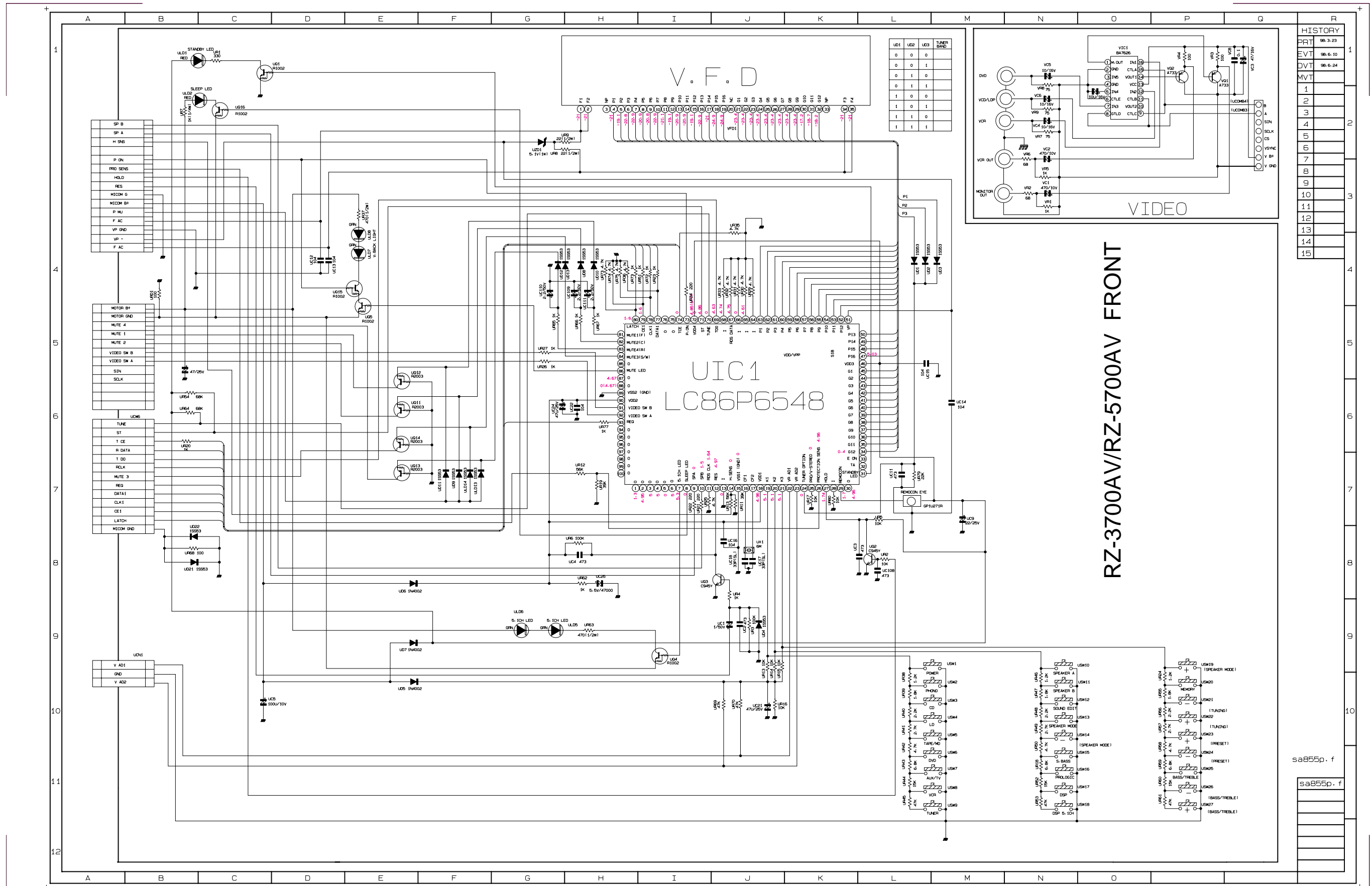
RZ-3700AV/RZ-5700AV BLOCK



RZ7700AV BLOCK

# 4. Schematic Diagram

## 4-1 Front Part



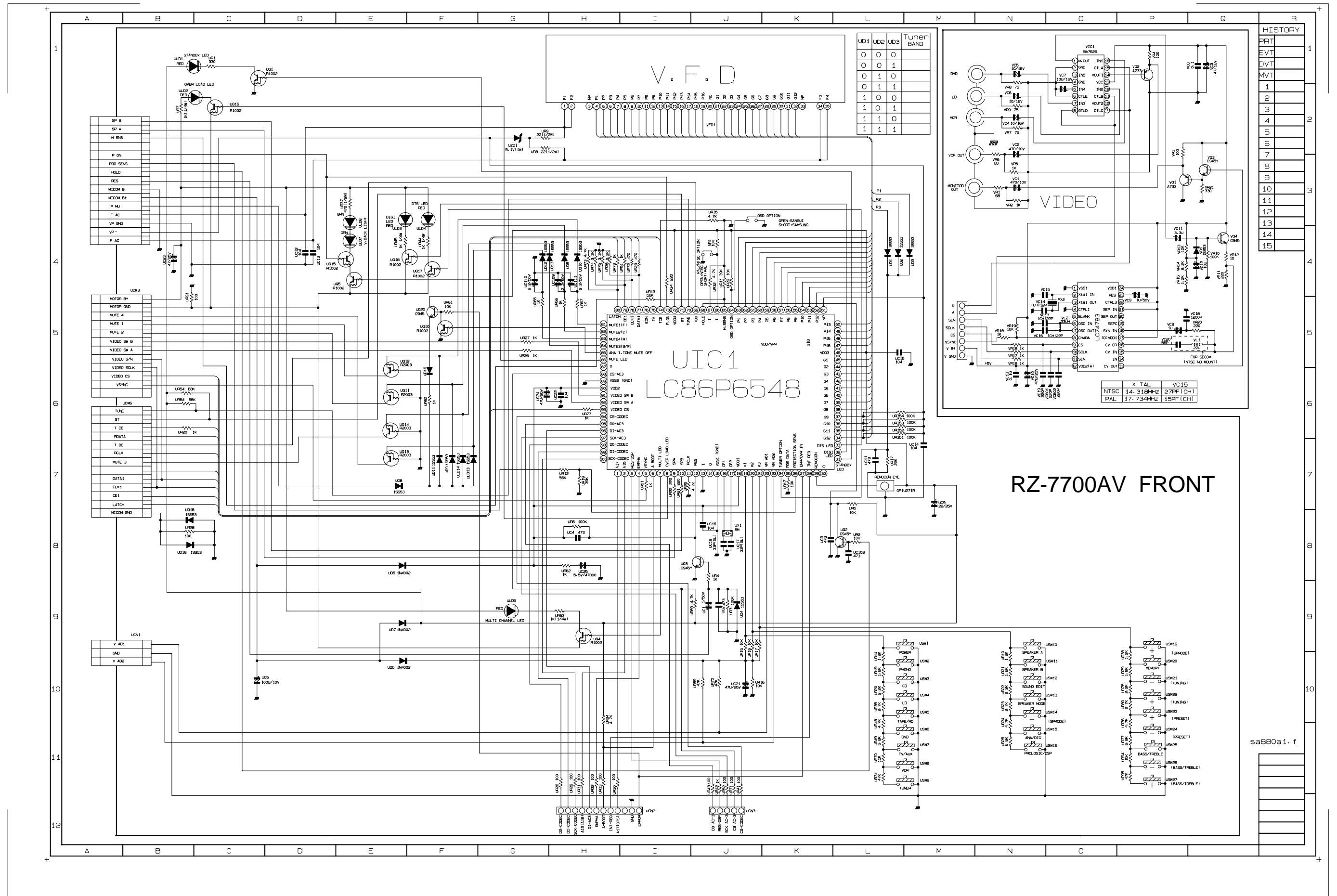
HISTORY	
PRT	98-3-23
EVT	98-6-10
DVT	98-6-24
MVT	1
	2
	3
	4
	5
	6
	7
	8
	9
	10
	11
	12
	13
	14
	15

RZ-3700A/RZ-5700AV FRONT

sa855p.f

sa855p.f



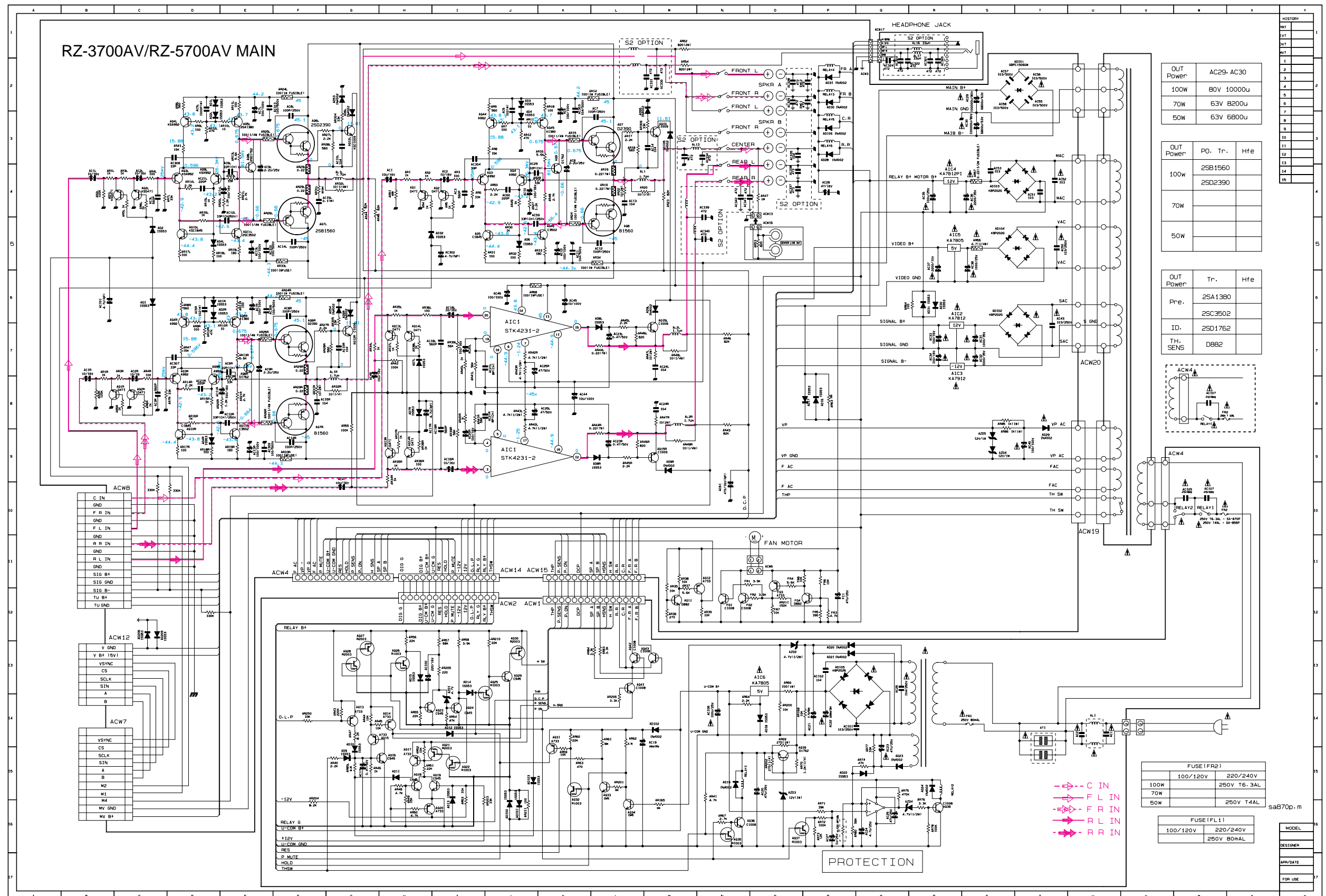


HISTORY	
PR1	1
EVT	
DVT	
MVT	
1	
2	
3	
4	
5	
6	
7	
8	
9	
10	
11	
12	
13	
14	
15	

RZ-7700AV FRONT

sa880a1.f

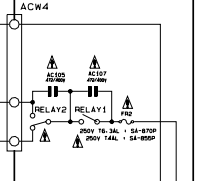
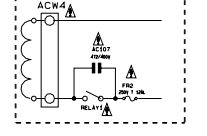
4-2 Main Part



OUT Power	AC29- AC30
100W	80V 10000u
70W	63V 8200u
50W	63V 6800u

OUT Power	P0. Tr.	Hfe
100w	2SB1560	2SD2390
70W		
50W		

OUT Power	Tr.	Hfe
Pre.	2SA1380	
	2SC3502	
ID.	2SD1762	
Th. SENS	D882	



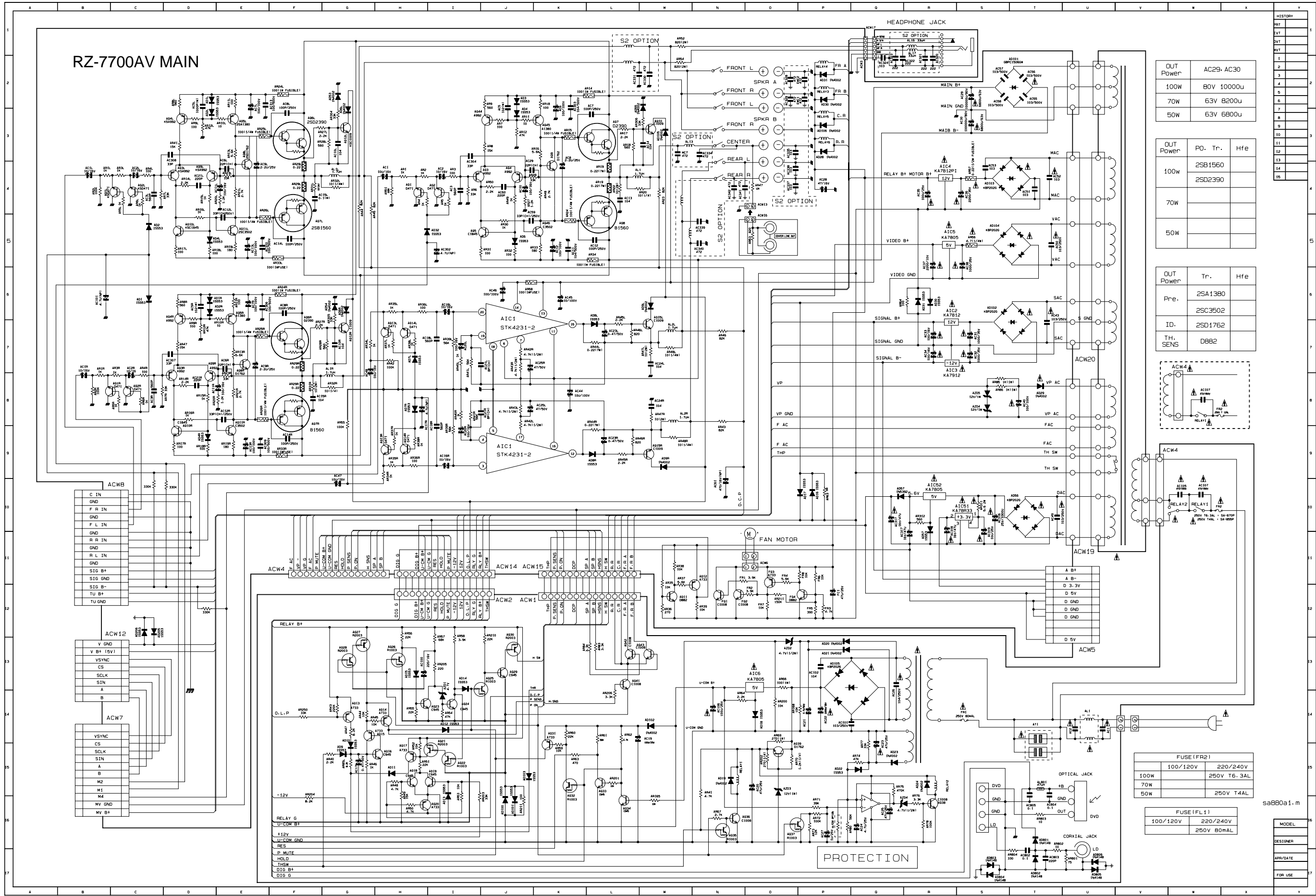
FUSE (FR2)	
100/120V	220/240V
100W	250V T6.3AL
70W	
50W	250V T4AL

FUSE (FL1)	
100/120V	220/240V
	250V 80mA

- C IN
- F L IN
- F R IN
- R L IN
- R R IN

MODEL  
DESIGNER  
DATE  
FOR USE

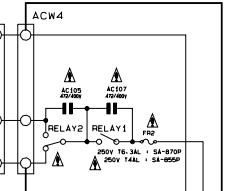
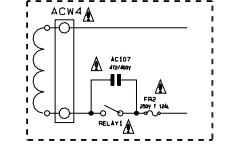
# RZ-7700AV MAIN



OUT Power	AC29- AC30
100W	80V 10000u
70W	63V 8200u
50W	63V 6800u

OUT Power	PO. Tr.	Hfe
100w	2SB1560	
	2SD2390	
70w		
50w		

OUT Power	Tr.	Hfe
Pre.	2SA1380	
	2SC3502	
ID.	2SD1762	
TH. SENS	DB82	



FUSE (FR2)	
100W	100/120V 220/240V
70W	250V T6.3AL
50W	250V T4AL

FUSE (FL1)	
100/120V	220/240V
	250V 80MAL

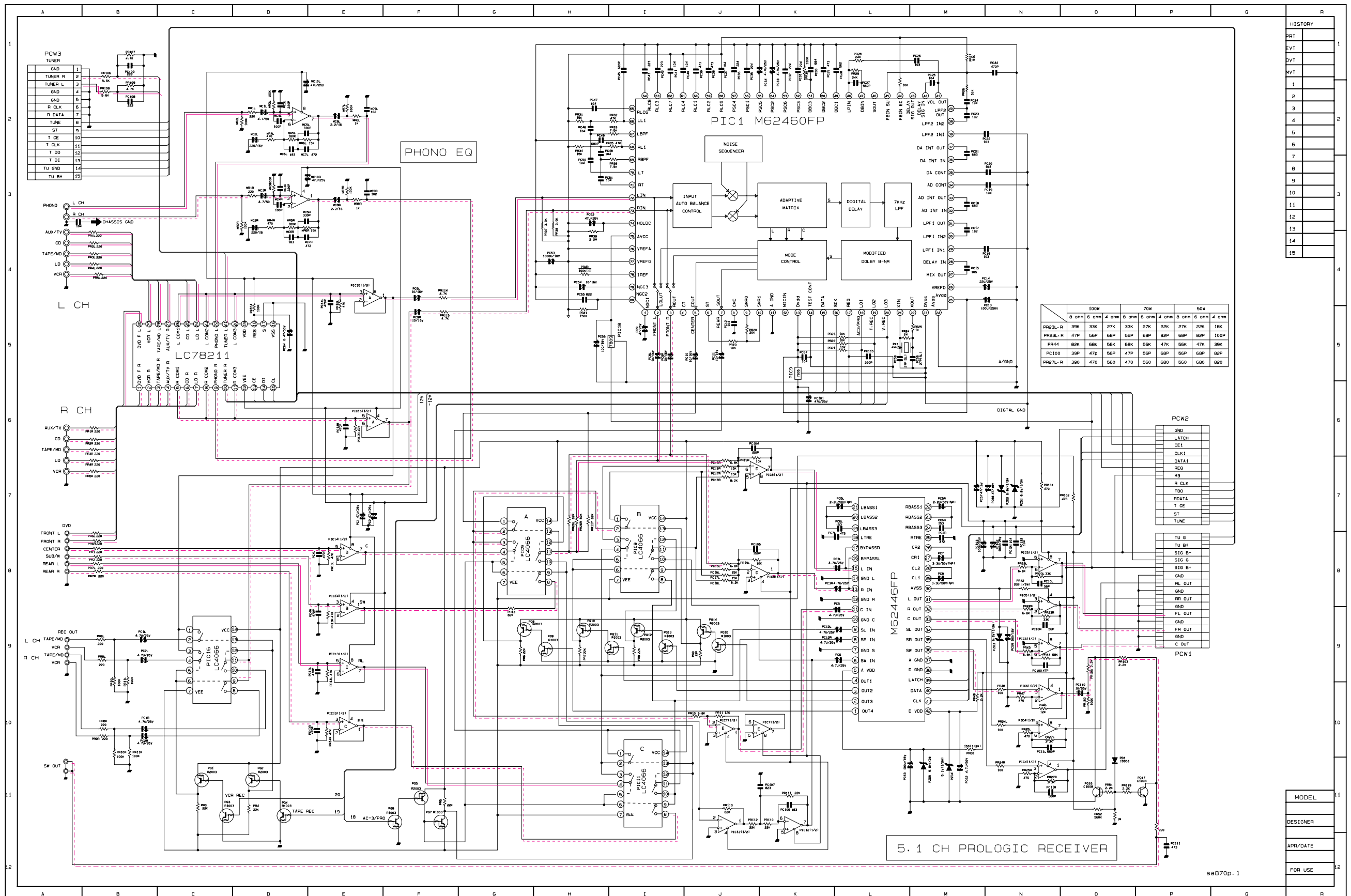
HISTORY	
REV	
BY	
DATE	
1	
2	
3	
4	
5	
6	
7	
8	
9	
10	
11	
12	
13	
14	
15	
16	
17	
18	
19	
20	
21	
22	
23	
24	
25	

sa880a1.m

MODEL	
DESIGNER	
APP/DATE	
FOR USE	

# 4-3 ProLogic Part(Only RZ-3700AV/RZ-5700AV)

## RZ-3700AV/RZ-5700AV PROLOGIC

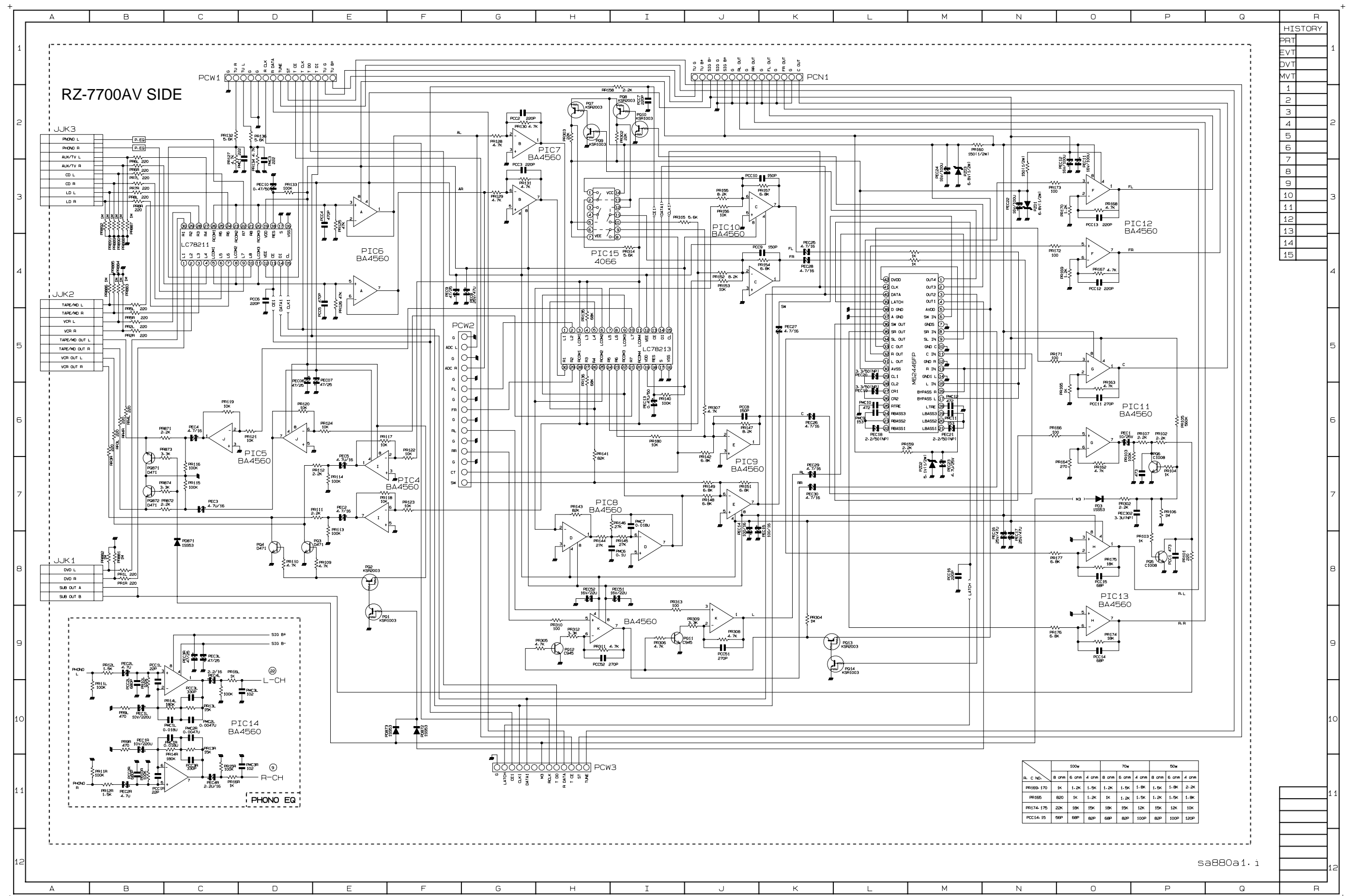


HISTORY	
PRJ	1
EXT	1
DVT	2
MVT	2
	3
	4
	5
	6
	7
	8
	9
	10
	11
	12
	13
	14
	15

MODEL	
DESIGNER	
APR/DATE	
FOR USE	

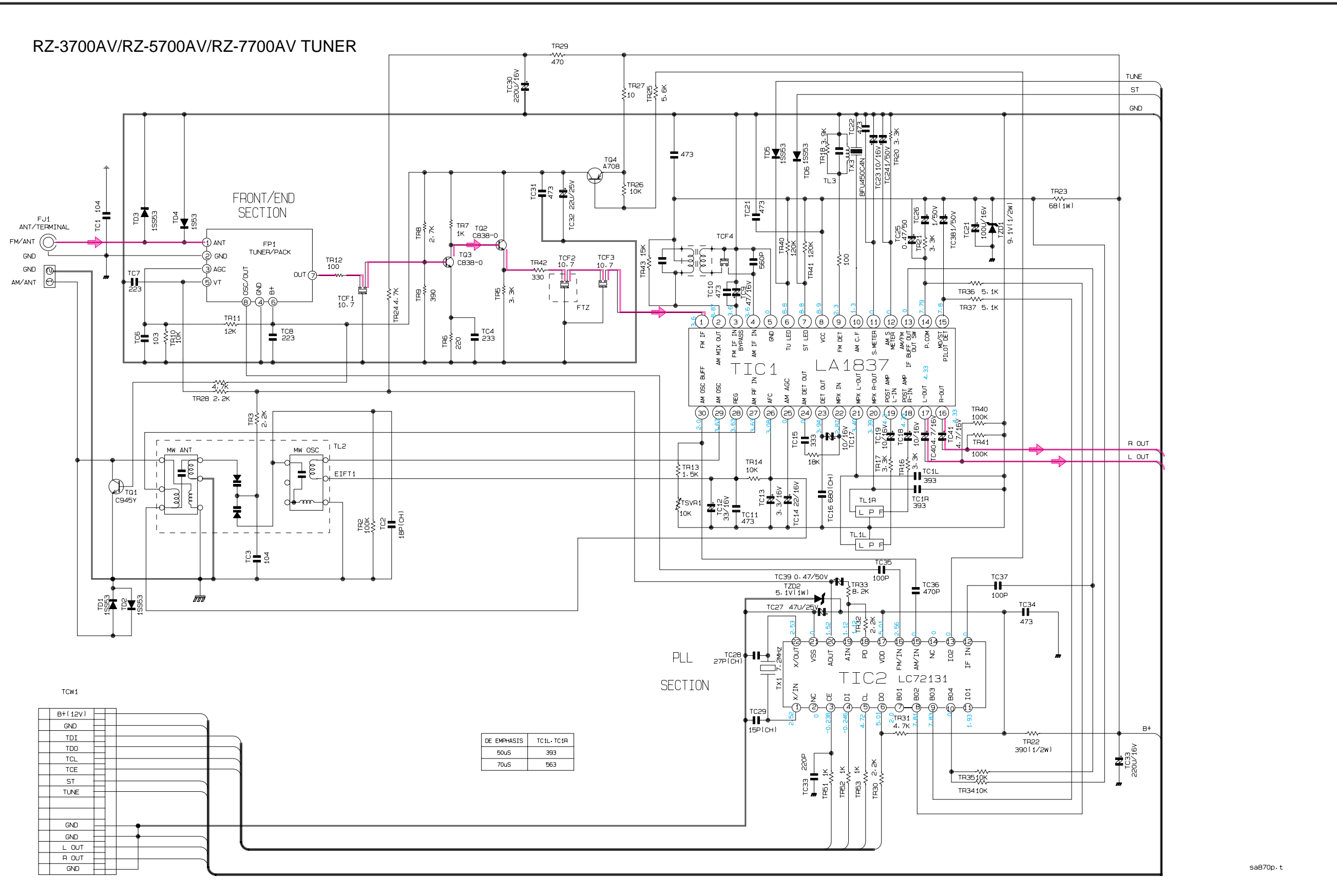
sa870p-1

# 4-4 SIDE Part(Only RZ-7700AV)



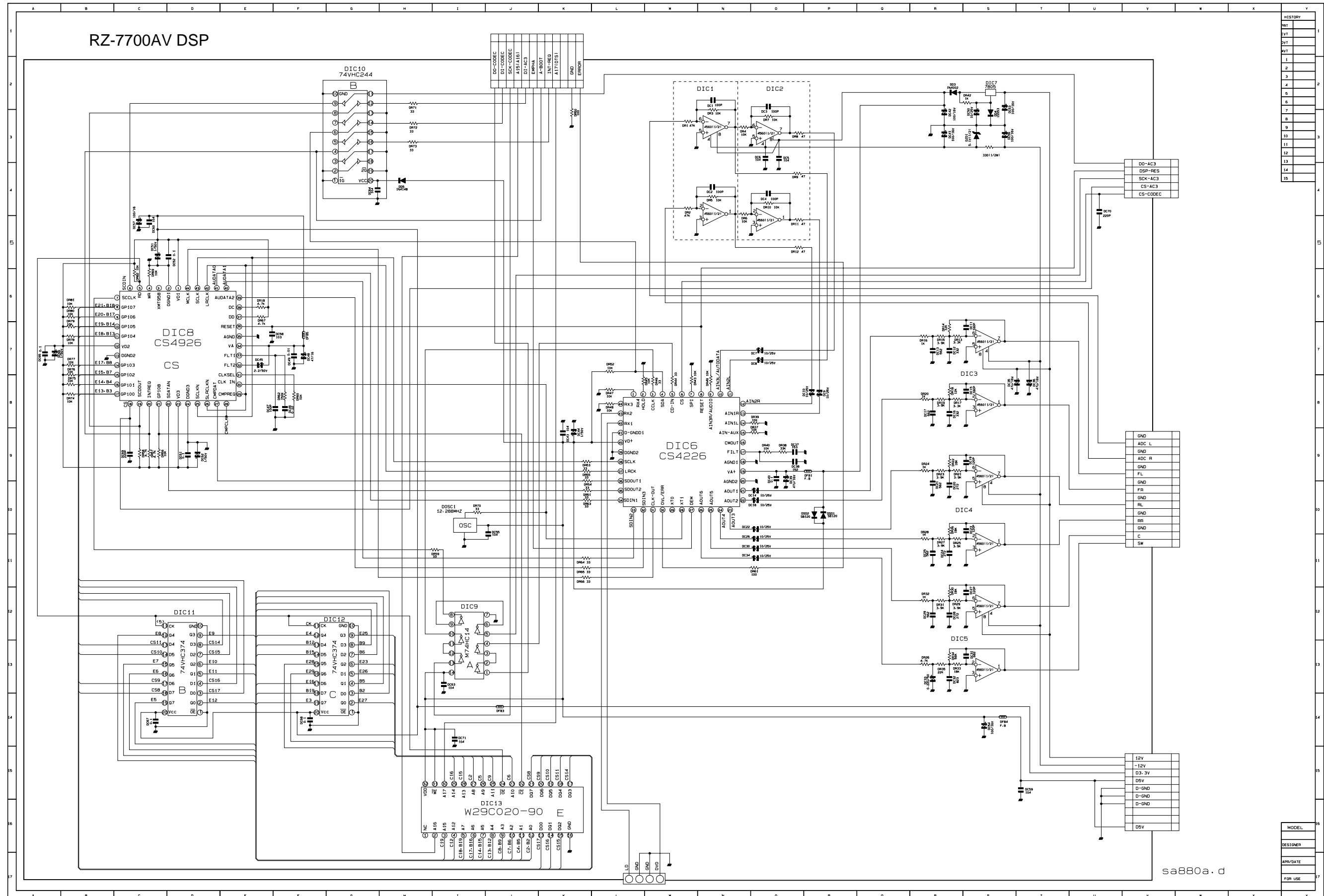
HISTORY	
PRT	1
EVT	
DVT	
MVT	
1	
2	
3	
4	
5	
6	
7	
8	
9	
10	
11	
12	
13	
14	
15	

RZ-3700AV/RZ-5700AV/RZ-7700AV TUNER



sa870p.t

4-6 DSP Part(Only RZ-7700AV)



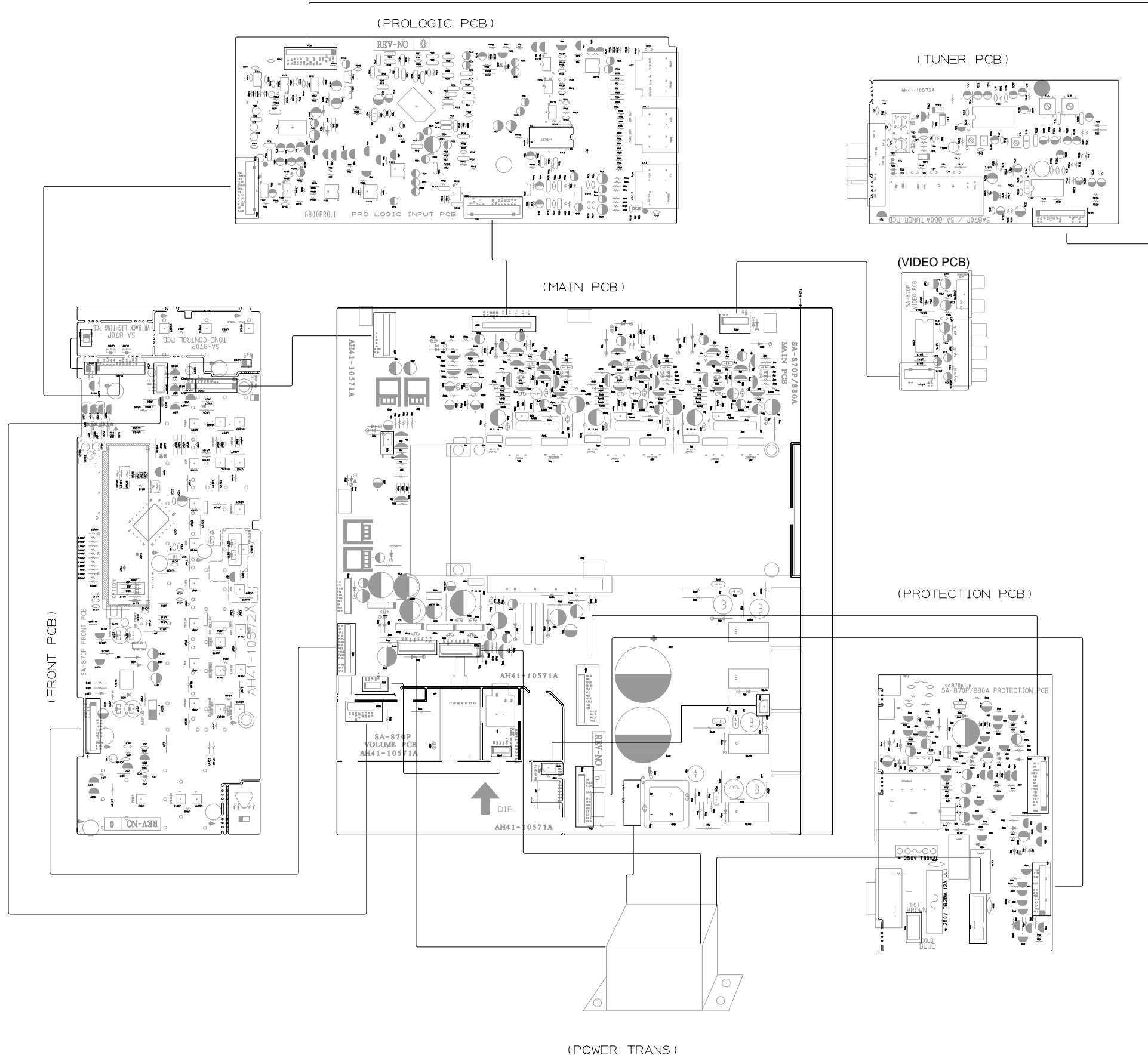
HISTORY	
REV	DESCRIPTION
1	
2	
3	
4	
5	
6	
7	
8	
9	
10	
11	
12	
13	
14	
15	

MODEL
DESIGNER
APP/DATE
FOR USE

sa880a.d

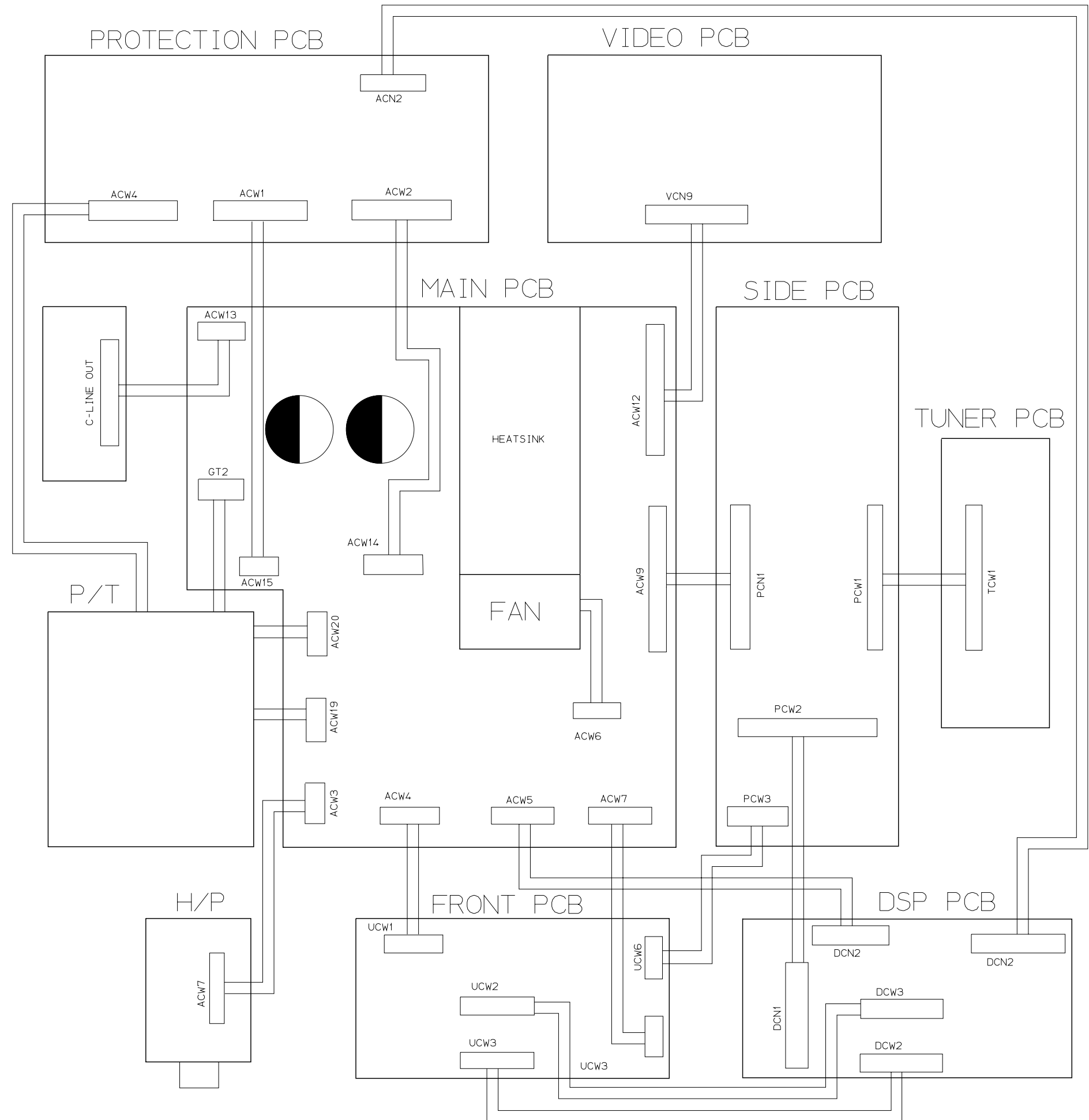
# 5. Wiring Diagram

## RZ-3700AV/RZ-5700AV WIRING





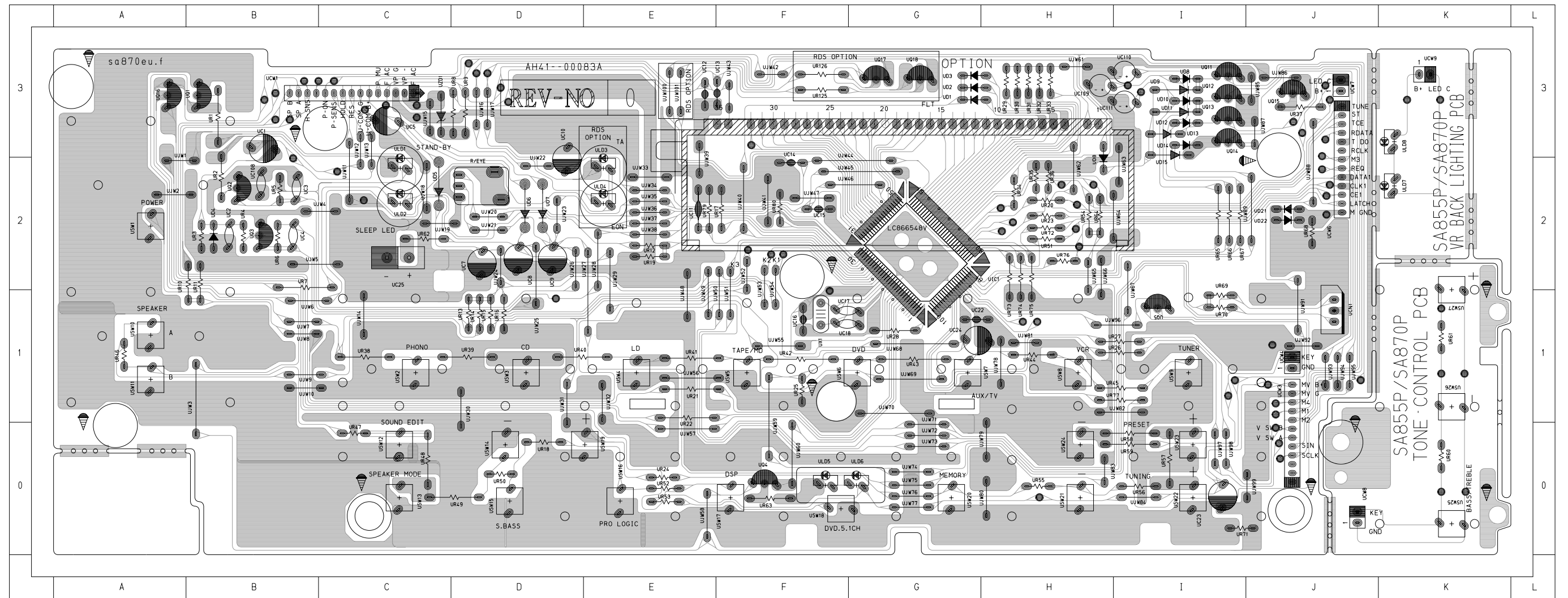
# RZ-7700AV WIRING



# 6. Printed Circuit Board Diagram

## 6-1 Front PCB

### RZ-3700AV/RZ-5700AV FRONT



\*\*\* CONDENSER \*\*\*

- UC1 (B3)
- UC10 (D3)
- UC108 (B2)
- UC11 (E2)
- UC12 (E3)
- UC13 (F3)
- UC14 (F2)
- UC15 (F2)
- UC16 (F1)
- UC17 (F1)
- UC18 (F1)
- UC2 (B2)
- UC22 (G1)
- UC23 (I10)
- UC24 (G1)
- UC3 (B2)
- UC4 (B2)
- UC5 (C3)
- UC7 (D2)
- UC8 (D2)
- UC9 (D2)

\*\*\* DIODE \*\*\*

- UD1 (G3)
- UD10 (I3)
- UD11 (I3)
- UD12 (I3)
- UD13 (I3)
- UD14 (I3)
- UD15 (I3)
- UD2 (G3)
- UD21 (J2)
- UD22 (J2)
- UD3 (G3)
- UD4 (B2)
- UD8 (H2)
- UD8 (I3)
- UD9 (I3)
- UZD1 (C3)

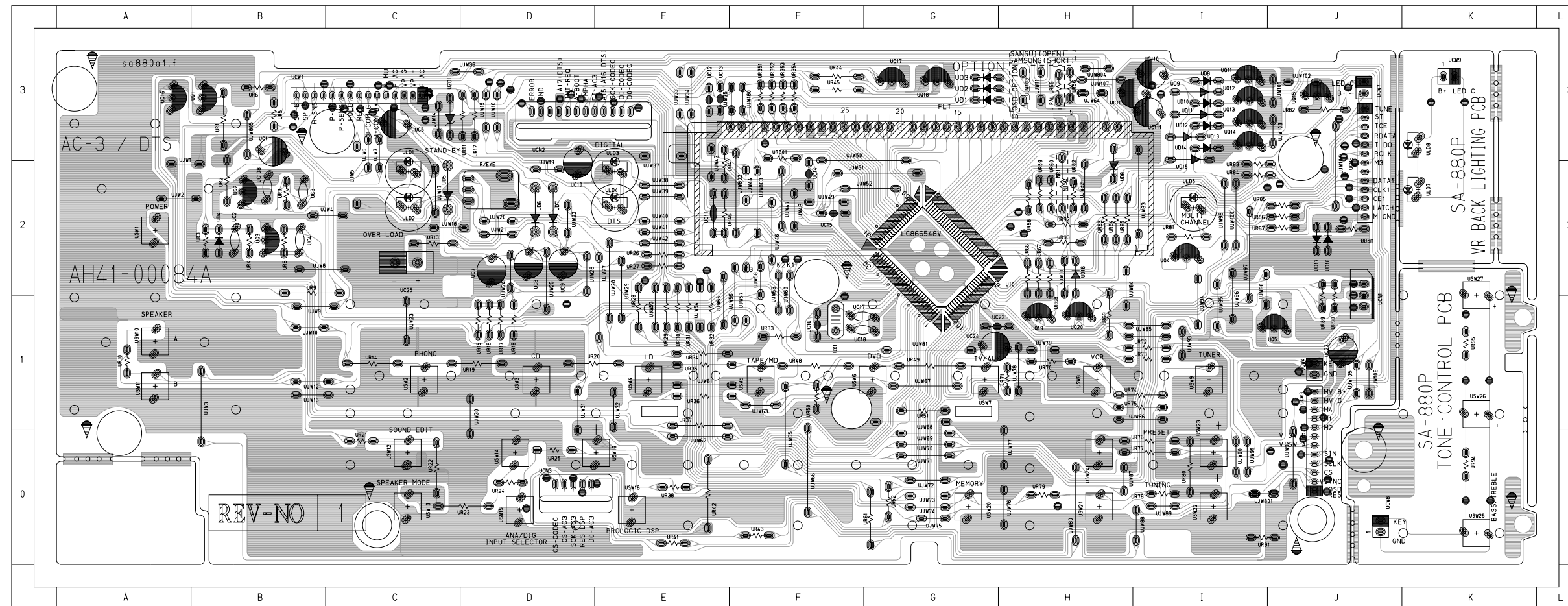
\*\*\* TR \*\*\*

- UQ1 (B3)
- UQ11 (I3)
- UQ12 (I3)
- UQ13 (I3)
- UQ14 (I3)
- UQ15 (J3)
- UQ16 (A3)
- UQ17 (G3)
- UQ18 (G3)
- UQ2 (B2)
- UQ3 (B2)
- UQ4 (F0)
- UQ5 (I1)

\*\*\* IC&WAFER \*\*\*

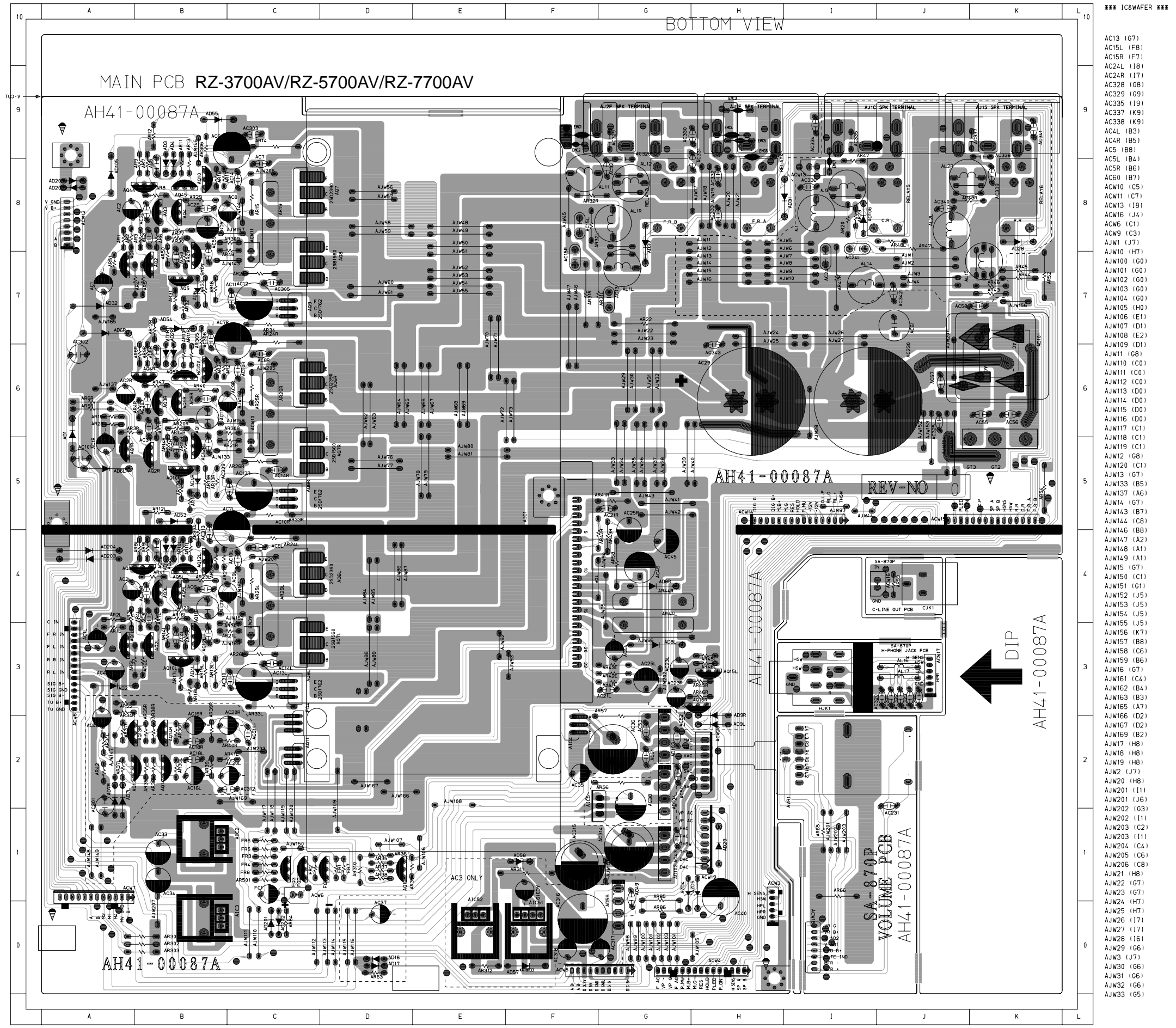
- UCN1 (J1)
- UCW1 (C3)
- UCW3 (J0)
- UCW4 (J1)
- UCW6 (J2)
- UCW7 (J3)
- UCW8 (J0)
- UCW9 (K3)
- USW1 (A2)
- USW10 (A1)
- USW11 (A1)
- USW12 (C0)
- USW13 (C0)
- USW14 (D0)
- USW15 (D0)
- USW16 (E0)
- USW17 (F0)
- USW18 (F0)
- USW19 (E0)
- USW2 (C1)
- USW20 (G0)
- USW21 (H0)
- USW22 (I0)
- USW23 (I0)
- USW24 (H0)
- USW25 (K0)
- USW26 (K1)
- USW27 (K2)
- USW3 (D1)
- USW4 (E1)
- USW5 (F1)
- USW6 (G1)
- USW7 (G1)
- USW8 (H1)
- USW9 (I1)

# RZ-7700AV FRONT



*** DIODE ***	*** IC&WAFER ***
U01 (G3)	UCN1 (J2)
U010 (I3)	UCW1 (C3)
U011 (I3)	UCW3 (J0)
U012 (I3)	UCW4 (J1)
U013 (I3)	UCW6 (J2)
U014 (I3)	UCW7 (J3)
U015 (I3)	UCW8 (J0)
U016 (H2)	UCW9 (K3)
U017 (J2)	USW1 (A2)
U018 (J2)	USW10 (A1)
U02 (G3)	USW11 (A1)
U03 (G3)	USW12 (C0)
U04 (B2)	USW13 (C0)
U08 (H2)	USW14 (D0)
U08 (I3)	USW15 (D0)
U09 (I3)	USW16 (E0)
UZD1 (C3)	USW19 (E0)
	USW2 (C1)
	USW20 (G0)
	USW21 (H0)
	USW22 (I0)
	USW23 (I0)
	USW24 (H0)
	USW25 (K0)
	USW26 (K1)
	USW27 (K2)
	USW3 (D1)
	USW4 (E1)
	USW5 (F1)
	USW6 (G1)
	USW7 (G1)
	USW8 (H1)
	USW9 (I1)
*** TR ***	
U01 (B3)	
U011 (I3)	
U012 (I3)	
U013 (I3)	
U014 (I3)	
U015 (J3)	
U016 (A3)	
U017 (G3)	
U018 (G3)	
U019 (H1)	
U02 (B2)	
U020 (H1)	
U03 (B2)	
U04 (I2)	
U05 (I1)	

6-2 Main PCB(RZ-3700AV/RZ-5700AV/RZ-7700AV)



- XXXX IC&WAFER XXXX
- AC13 (G7)
  - AC15L (F8)
  - AC15R (F7)
  - AC24L (I8)
  - AC24R (I7)
  - AC328 (G8)
  - AC329 (G9)
  - AC335 (I9)
  - AC337 (K9)
  - AC338 (K9)
  - AC4L (B3)
  - AC4R (B5)
  - ACS (B8)
  - ACSL (B4)
  - ACSR (B6)
  - AC60 (B7)
  - ACW10 (C5)
  - ACW11 (C7)
  - ACW13 (I8)
  - ACW16 (J4)
  - ACW6 (C1)
  - ACW9 (C3)
  - AJW1 (J7)
  - AJW10 (H7)
  - AJW100 (G0)
  - AJW101 (G0)
  - AJW102 (G0)
  - AJW103 (G0)
  - AJW104 (G0)
  - AJW105 (H0)
  - AJW106 (E1)
  - AJW107 (D1)
  - AJW108 (E2)
  - AJW109 (D1)
  - AJW11 (G8)
  - AJW110 (C0)
  - AJW111 (C0)
  - AJW112 (C0)
  - AJW113 (D0)
  - AJW114 (D0)
  - AJW115 (D0)
  - AJW116 (D0)
  - AJW117 (C1)
  - AJW118 (C1)
  - AJW119 (C1)
  - AJW12 (G8)
  - AJW120 (C1)
  - AJW13 (G7)
  - AJW133 (B5)
  - AJW137 (A6)
  - AJW14 (G7)
  - AJW143 (B7)
  - AJW144 (C8)
  - AJW146 (B8)
  - AJW147 (A2)
  - AJW148 (A1)
  - AJW149 (A1)
  - AJW15 (G7)
  - AJW150 (C1)
  - AJW151 (G1)
  - AJW152 (J5)
  - AJW153 (J5)
  - AJW154 (J5)
  - AJW155 (J5)
  - AJW156 (K7)
  - AJW157 (B8)
  - AJW158 (C6)
  - AJW159 (B6)
  - AJW16 (G7)
  - AJW161 (C4)
  - AJW162 (B4)
  - AJW163 (B3)
  - AJW165 (A7)
  - AJW166 (D2)
  - AJW167 (D2)
  - AJW169 (B2)
  - AJW17 (H8)
  - AJW18 (H8)
  - AJW19 (H8)
  - AJW2 (J7)
  - AJW20 (H8)
  - AJW201 (I1)
  - AJW201 (J6)
  - AJW202 (G3)
  - AJW202 (I1)
  - AJW203 (C2)
  - AJW203 (I1)
  - AJW204 (C4)
  - AJW205 (C6)
  - AJW206 (C8)
  - AJW21 (H8)
  - AJW22 (G7)
  - AJW23 (G7)
  - AJW24 (H7)
  - AJW25 (H7)
  - AJW26 (I7)
  - AJW27 (I7)
  - AJW28 (I6)
  - AJW29 (G6)
  - AJW3 (J7)
  - AJW30 (G6)
  - AJW31 (G6)
  - AJW32 (G6)
  - AJW33 (G5)
  - AJW34 (G5)
  - AJW35 (G5)
  - AJW36 (G5)
  - AJW37 (G5)
  - AJW38 (G5)
  - AJW39 (G5)
  - AJW4 (J7)
  - AJW40 (H5)
  - AJW41 (G5)
  - AJW42 (G5)
  - AJW43 (G5)
  - AJW44 (I5)
  - AJW45 (F8)
  - AJW46 (F6)
  - AJW47 (F6)
  - AJW48 (E8)
  - AJW49 (E8)
  - AJW5 (H8)
  - AJW50 (E8)
  - AJW51 (E7)
  - AJW52 (E7)
  - AJW53 (E7)
  - AJW54 (E7)
  - AJW55 (E7)
  - AJW56 (D8)
  - AJW57 (D8)
  - AJW58 (D8)
  - AJW59 (D8)
  - AJW6 (H8)
  - AJW60 (D7)
  - AJW61 (D7)
  - AJW62 (D5)
  - AJW63 (D5)
  - AJW64 (D6)
  - AJW65 (D6)
  - AJW66 (E6)
  - AJW67 (E6)
  - AJW68 (E6)
  - AJW69 (E6)
  - AJW7 (H7)
  - AJW70 (E6)
  - AJW71 (E6)
  - AJW72 (F5)
  - AJW73 (F5)
  - AJW76 (D5)
  - AJW77 (D5)
  - AJW78 (E5)
  - AJW79 (E5)
  - AJW8 (H7)
  - AJW80 (E5)
  - AJW81 (E5)
  - AJW84 (D4)
  - AJW85 (D4)
  - AJW86 (D4)
  - AJW87 (D4)
  - AJW88 (D3)
  - AJW89 (D3)
  - AJW9 (H7)
  - AJW92 (E3)
  - AJW93 (F3)
  - AJW94 (G4)
  - AJW95 (G3)
  - AJW96 (G3)
  - AJW97 (I5)
  - AJW98 (G0)
  - AJW99 (G0)

### 6-3 Tuner PCB(RZ-3700AV/RZ-5700AV/RZ-7700AV)



\*\*\* DIODE \*\*\*

- TD1 (A1)
- TD2 (A1)
- TD3 (A1)
- TD4 (A1)
- TD5 (E2)
- TD6 (E1)
- TD7 (A2)
- TD8 (A2)
- TZD1 (C1)
- TZD2 (D1)

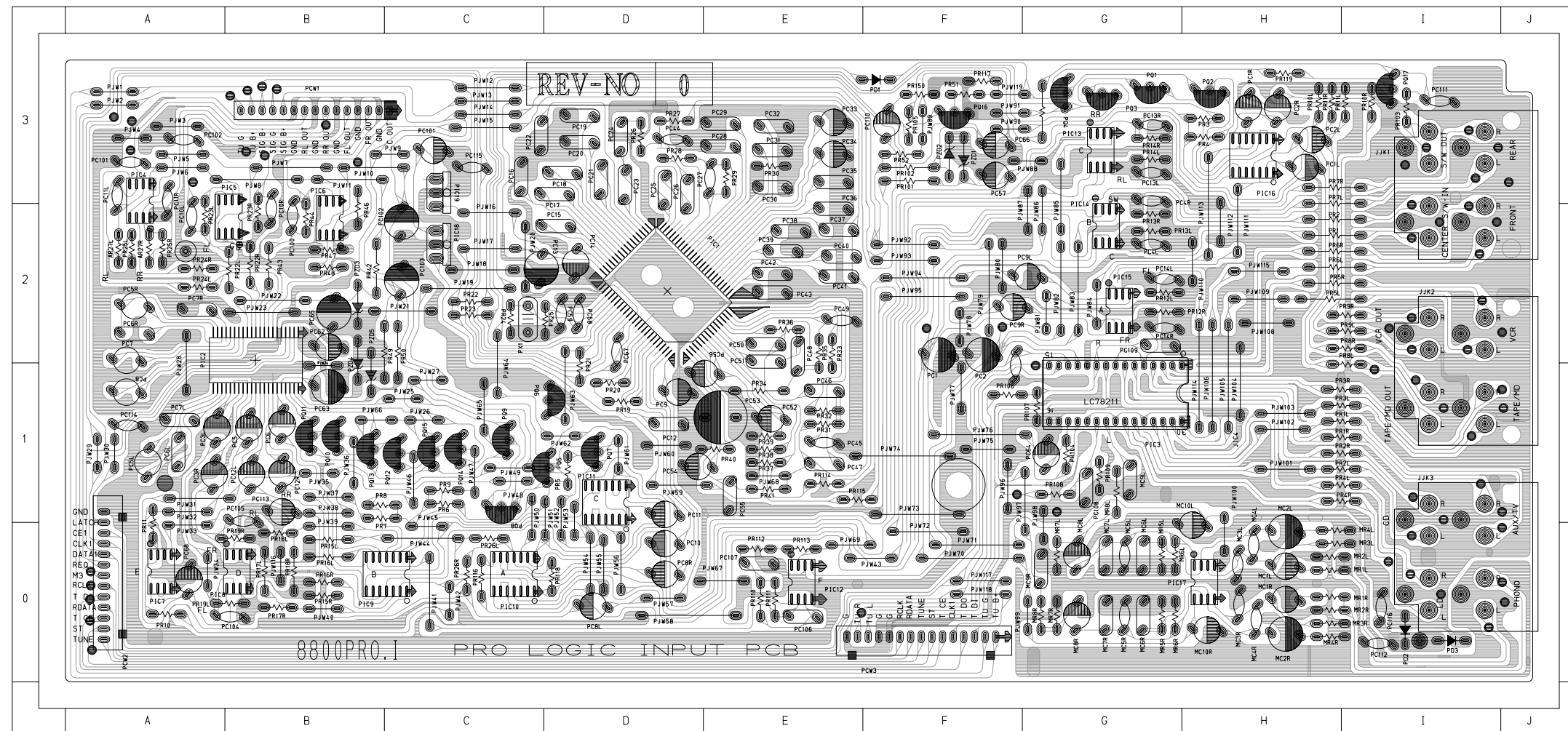
\*\*\* TR \*\*\*

- TQ1 (A0)
- TQ2 (B2)
- TQ3 (B1)
- TQ4 (C0)

\*\*\* IC&WAFER \*\*\*

- TCF4 (C1)
- TCW1 (D0)
- TL2 (C1)
- TL3 (C1)

### 6-4 Pro-Logic PCB(only RZ-3700AV/RZ-5700AV)



\*\*\* DIODE \*\*\*

- PD1 (F3)
- PD2 (I0)
- PD3 (I0)
- PZD1 (F3)
- PZD2 (F3)
- PZD3 (B2)
- PZD4 (B1)
- PZD5 (B1)

\*\*\* TR \*\*\*

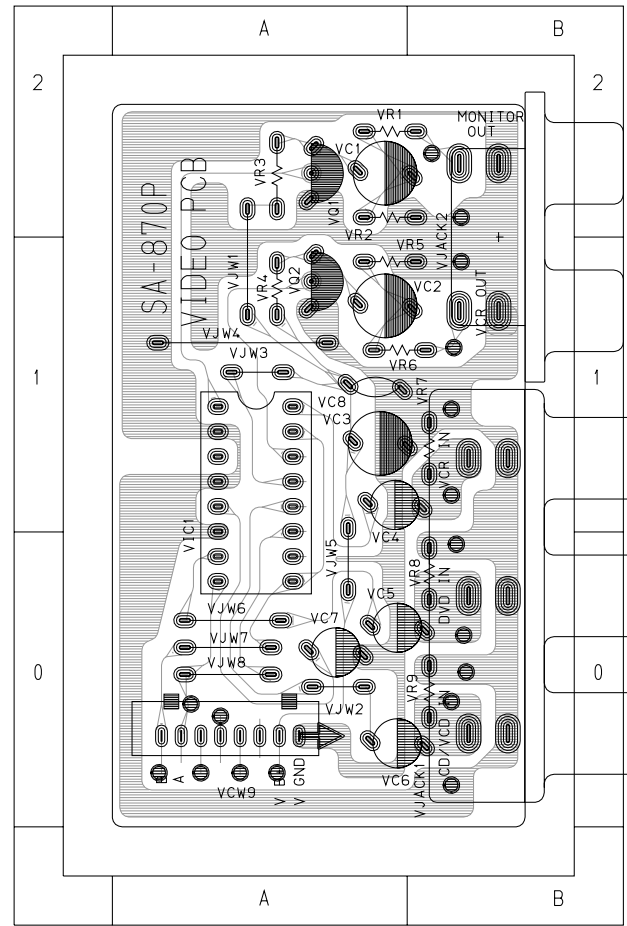
- PQ1 (G3)
- PQ10 (B1)
- PQ11 (B1)
- PQ12 (C1)
- PQ13 (B1)
- PQ14 (C1)
- PQ15 (C1)
- PQ16 (F3)
- PQ17 (I3)
- PQ2 (H3)
- PQ3 (G3)
- PQ4 (G3)
- PQ5 (D1)
- PQ6 (D1)
- PQ7 (D1)
- PQ8 (C1)
- PQ9 (C1)

\*\*\* IC&WAFER \*\*\*

- PCW1 (B3)
- PCW2 (A0)
- PCW3 (F0)

# 6-5 Video PCB

RZ-3700AV/RZ-5700AV VIDEO



\*\*\* CONDENSER \*\*\*

- VC1 (A2)
- VC2 (A1)
- VC3 (A1)
- VC4 (A1)
- VC5 (A0)
- VC6 (A0)
- VC7 (A0)
- VC8 (A1)

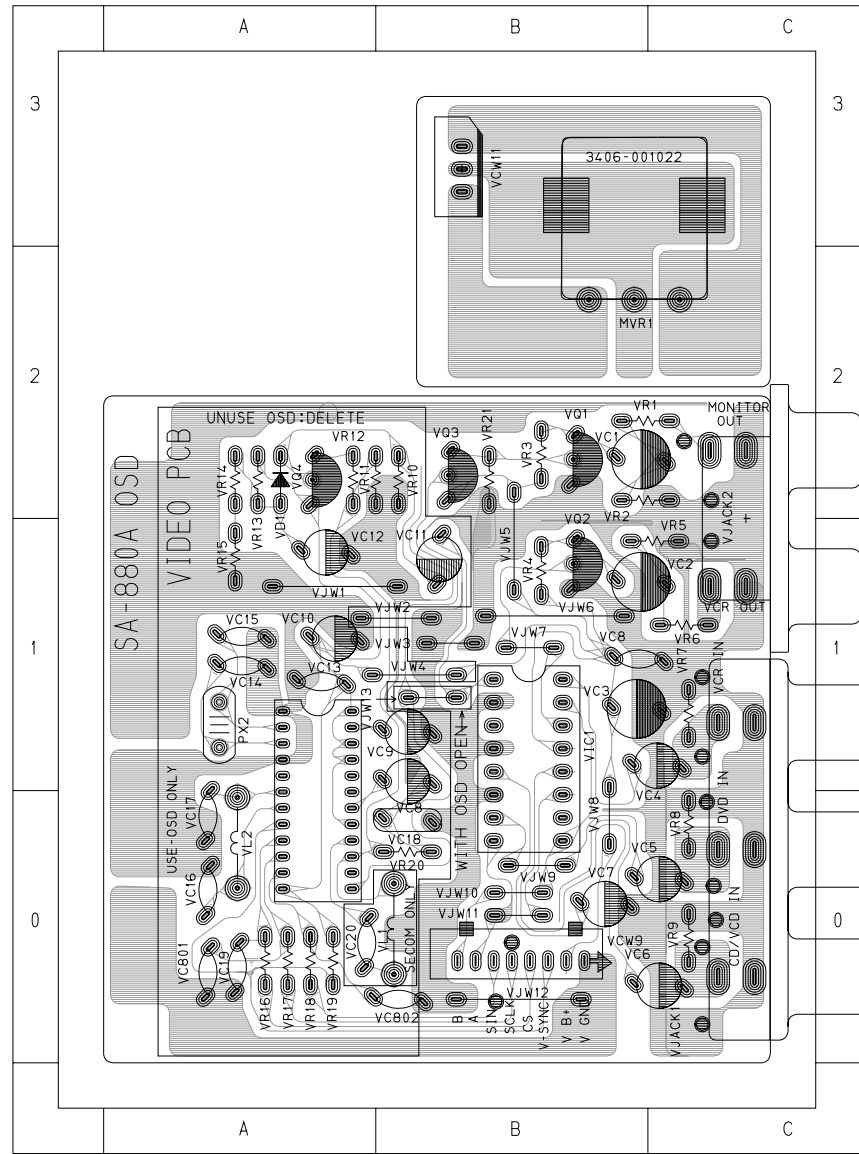
\*\*\* TR \*\*\*

- VQ1 (A2)
- VQ2 (A1)

\*\*\* IC&WAFER \*\*\*

- VCW9 (A0)
- VIC1 (A1)

RZ-7700AV VIDEO



\*\*\* DIODE \*\*\*

- VD1 (A2)

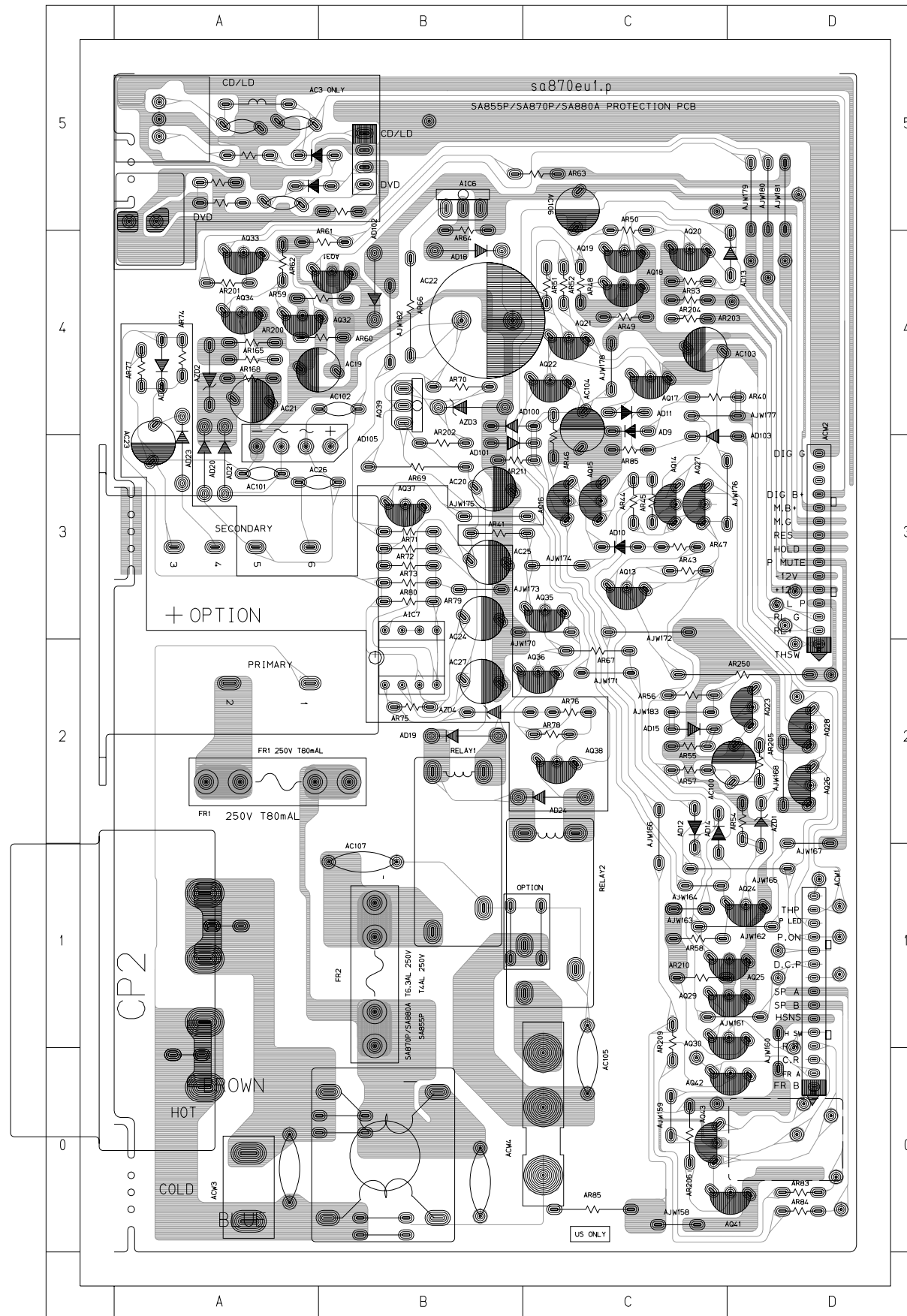
\*\*\* TR \*\*\*

- VQ1 (B2)
- VQ2 (B1)
- VQ3 (B2)
- VQ4 (A2)

\*\*\* IC&WAFER \*\*\*

- \* (A1)
- VCW11 (B3)
- VCW9 (B0)
- VIC1 (B1)

# 6-6 Protection PCB(RZ-3700AV/RZ-5700AV/RZ-7700AV)



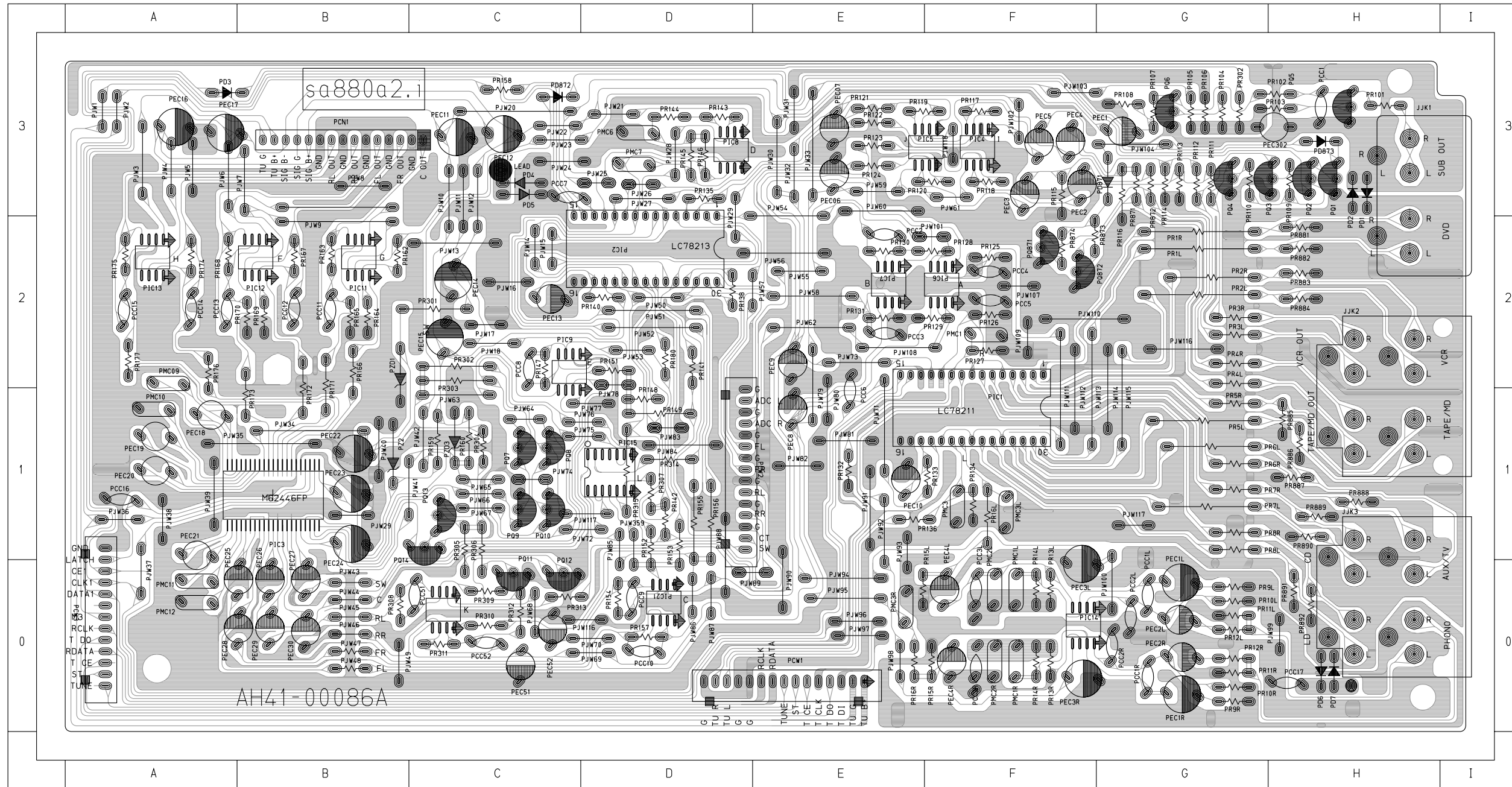
\*\*\* CONDENSER \*\*\*      \*\*\* TR \*\*\*

- |            |           |
|------------|-----------|
| AC100 (D2) | AQ13 (C3) |
| AC101 (A3) | AQ14 (C3) |
| AC102 (B4) | AQ15 (C3) |
| AC103 (C4) | AQ16 (C3) |
| AC104 (C3) | AQ17 (C4) |
| AC106 (C5) | AQ18 (C4) |
| AC19 (B4)  | AQ19 (C4) |
| AC20 (B3)  | AQ20 (C4) |
| AC21 (A4)  | AQ21 (C4) |
| AC23 (A4)  | AQ22 (C4) |
| AC24 (B3)  | AQ23 (D2) |
| AC25 (B3)  | AQ24 (D1) |
| AC26 (A3)  | AQ25 (D1) |
| AC27 (B2)  | AQ26 (D2) |
|            | AQ27 (C3) |
|            | AQ28 (D2) |
|            | AQ29 (D1) |
|            | AQ30 (D1) |
|            | AQ31 (B4) |
|            | AQ32 (B4) |
|            | AQ33 (A4) |
|            | AQ34 (A4) |
|            | AQ35 (C3) |
|            | AQ36 (C2) |
|            | AQ37 (B3) |
|            | AQ38 (C2) |
|            | AQ41 (D0) |
|            | AQ42 (D0) |
|            | AQ43 (C0) |

\*\*\* DIODE \*\*\*

- |            |
|------------|
| AD10 (C3)  |
| AD100 (B4) |
| AD101 (C3) |
| AD102 (B4) |
| AD103 (C3) |
| AD11 (C4)  |
| AD12 (C1)  |
| AD13 (D5)  |
| AD14 (C2)  |
| AD15 (C2)  |
| AD18 (B4)  |
| AD19 (B2)  |
| AD20 (A4)  |
| AD21 (A4)  |
| AD22 (A4)  |
| AD23 (A4)  |
| AD24 (B2)  |
| AD9 (C4)   |
| AZD1 (D2)  |
| AZD2 (A4)  |
| AZD3 (B4)  |
| AZD4 (B2)  |

6-7 SIDE PCB(only RZ-7700AV)



\*\*\* DIODE \*\*\*

- PD1 (H3)
- PD2 (H3)
- PD3 (B3)
- PD4 (C3)
- PD5 (C3)
- PD6 (H0)
- PD7 (H0)
- PD871 (G3)
- PD872 (C3)
- PD873 (H3)
- PZ2 (B1)
- PZD1 (B1)
- PZD3 (C1)

\*\*\* TR \*\*\*

- \* (H3)
- PQ1 (H3)
- PQ10 (C1)
- PQ11 (C0)
- PQ12 (C0)
- PQ13 (C1)
- PQ14 (C1)
- PQ2 (H3)
- PQ3 (H3)
- PQ4 (G3)
- PQ6 (G3)
- PQ7 (C1)
- PQ8 (C1)
- PQ871 (F2)
- PQ872 (F2)
- PQ9 (C1)

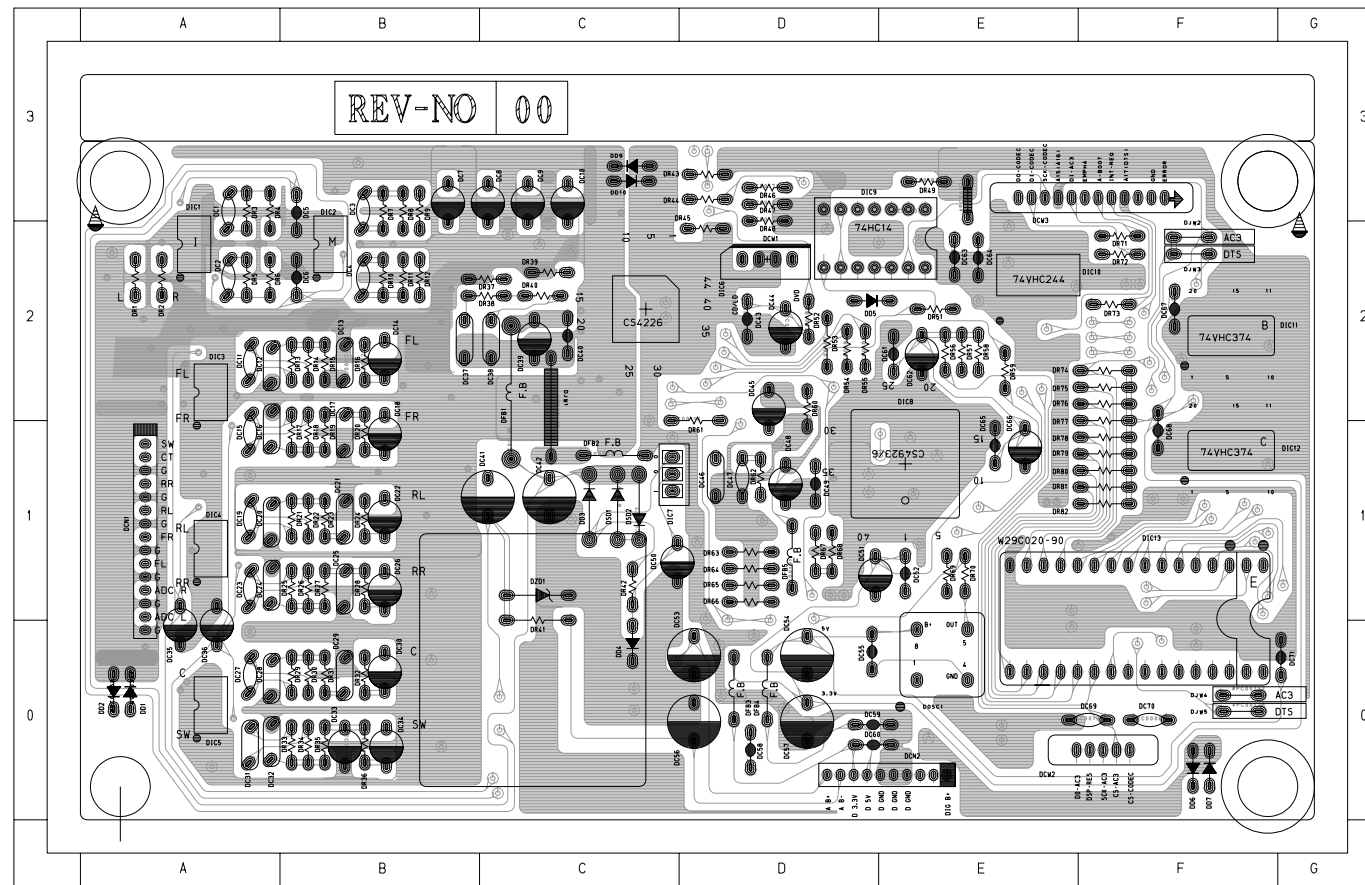
\*\*\* IC&WAFER \*\*\*

- PCN1 (B3)
- PCW1 (E0)
- PCW2 (D1)
- PCW3 (A0)

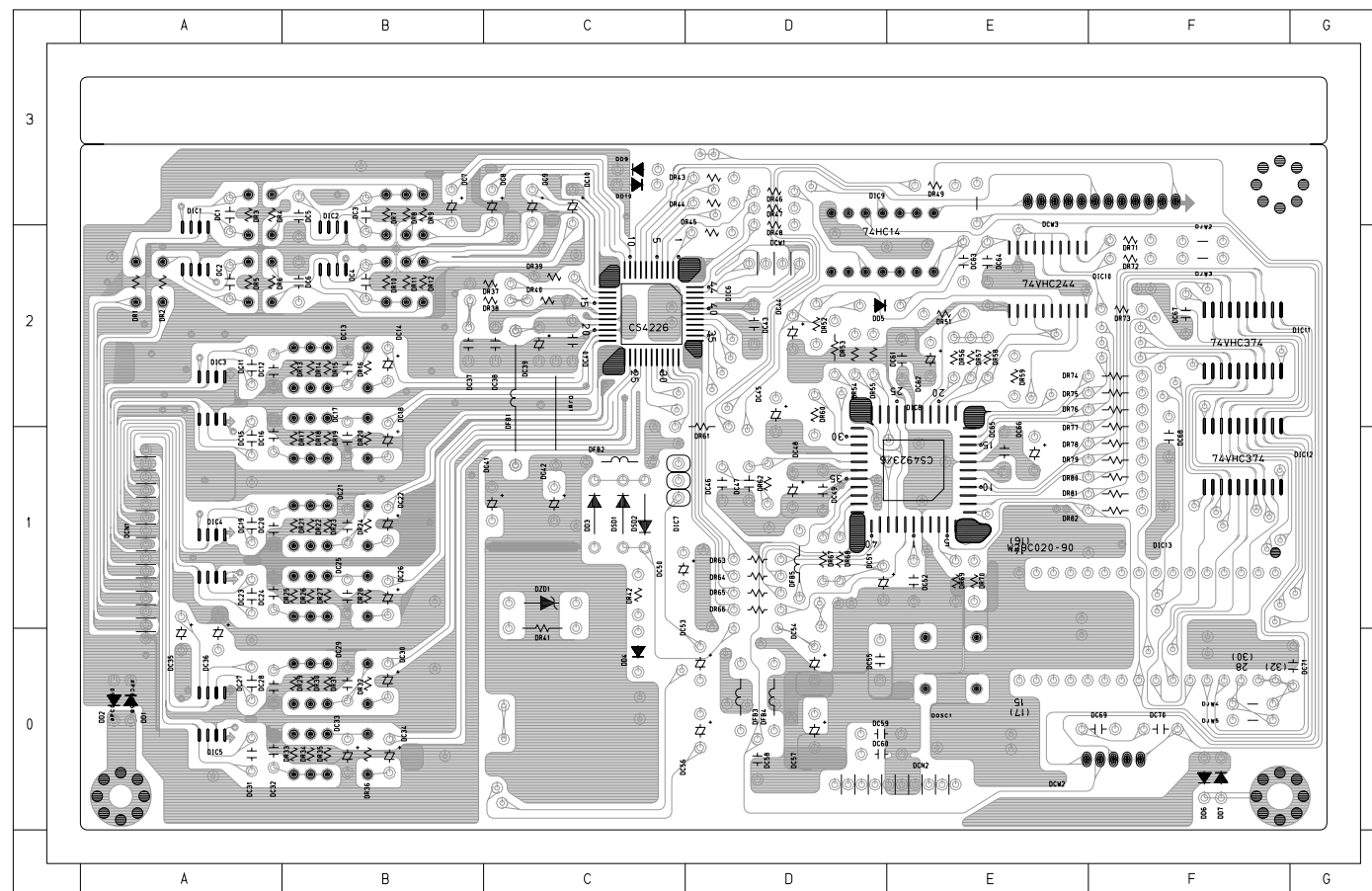


# 6-8 DSP PCB(only RZ-7700AV)

\*TOP VIEW

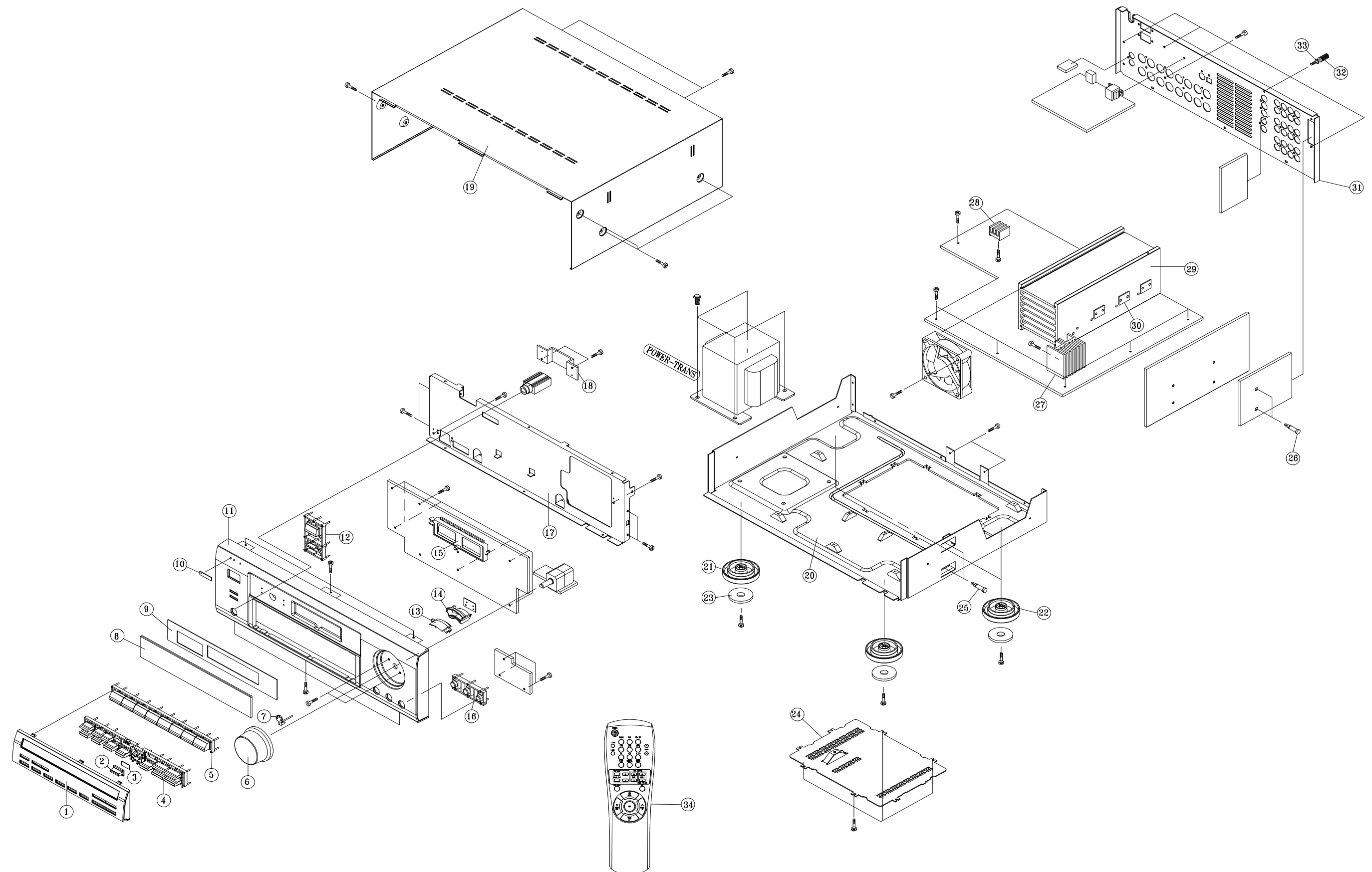


\*BOTTOM VIEW



## 7. Exploded Views and Parts List

### 7-1 RZ-3700AV/RZ-5700AV

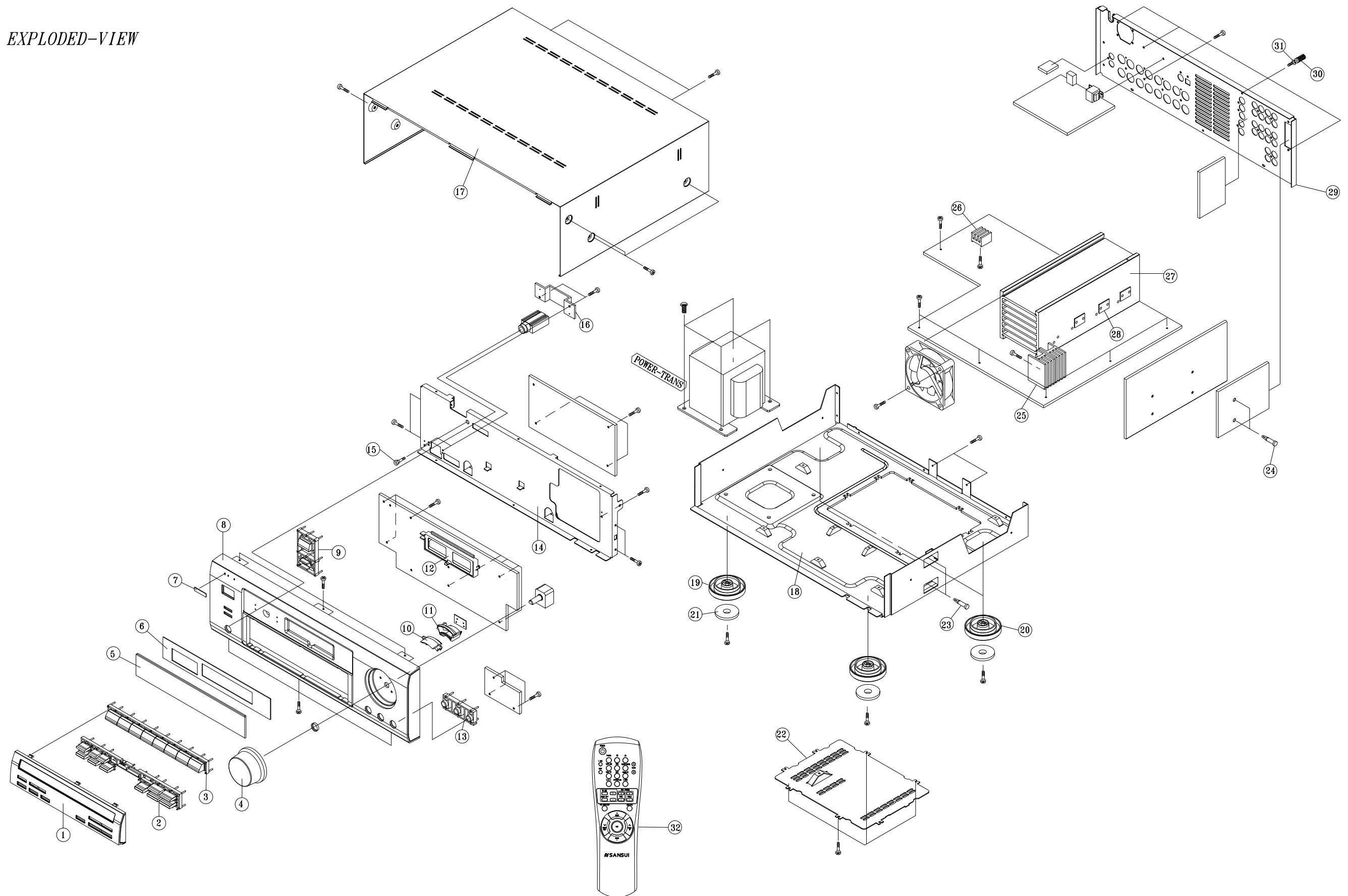


**Parts List(RZ-3700AV/RZ-5700AV)**

No.	Code No.	Description	Specification	Q'ty	Use Model
1	AH61-20522D	CAP-FRONT.A	ABS GOLD	1	
1	AH61-20522E	CAP-FRONT.A	ABS BLK	1	
2	AH67-12006A	LENS-AC3	PMMA CLEAR	1	
3	AH67-40035A	FILTER-LENS	PC 0.16T	1	
4	AH64-11284A	KNOB-AC3	ABS BLK	1	
4	AH64-11284B	KNOB-AC3	ABS GOLD	1	
5	AH64-11283C	KNOB-FUNCTION	ABS GOLD	1	
5	AH64-11283D	KNOB-FUNCTION	ABS BLK	1	
6	AH64-00330A	KNOB-VOLUME	ABS BLK	1	
6	AH64-00330B	KNOB-VOLUME	ABS GOLD	1	
7	AH64-42013D	WINDOW-FLT	ACRYL 2.0T	1	
8	AH68-52045A	LABEL-FLT	TOYO TAPE	1	
9	AH64-00228L	BADGE-BRAND	"AL L35,SILVER"	1	
9	AH64-00228M	BADGE-BRAND	"AL L35,GOLD "	1	
10	AH64-30433F	CABINET-FRONT	ABS GOLD	1	RZ5700AV
10	AH64-30433G	CABINET-FRONT	ABS BLK	1	RZ5700AV
10	AH64-30433H	CABINET-FRONT	ABS BLK	1	RZ3700AV
10	AH64-30433J	CABINET-FRONT	ABS GOLD	1	RZ3700AV
11	AH64-11282B	KNOB-POWER	ABS GOLD	1	
11	AH64-11282C	KNOB-POWER	ABS BLK	1	
12	AH67-12007A	LENS-INDICATOR	ACRYL CLEAR	1	
13	AH61-20526A	HOLDER-INDICATOR	ABS WHT	1	
14	AH61-20524A	HOLDER-FLT	ABS BLK	1	
15	AH64-11286A	KNOB-BASS	ABS BLK	1	
15	AH64-11286B	KNOB-BASS	ABS GOLD	1	
16	AH61-12005A	CHASSIS-FRONT	SECC 1.0T	1	
17	AH61-10753A	BRACKET-MIC	SECC 1.0T	1	
18	AH64-30435A	CABINET-TOP	PCM 0.9T GRAY	1	
18	AH64-30435B	CABINET-TOP	PCM 0.9T GOLD	1	
19	AH64-30434A	CABINET-BOTTOM	SECC 1.2T	1	
20	AH64-80037B	FOOT	ABS GOLD	2	
21	AH64-80037A	FOOT	ABS	2	
22	AH69-22007A	CUSHION-FOOT	RUBBER	4	
23	AH63-32001A	COVER-BOTTOM	SECC 1.2T	1	
24	AH65-32001A	"CLAMP-SPACE,A"	DALS-22N	2	
25	AH65-32002A	"CLAMP-SPACE,B"	DALS-10N	2	
26	AH62-30061A	HEAT-SINK S	AL EXTR	2	
27	AH62-32008A	HEAT-SINK TR	AL EXTR	1	RZ3700AV
27	AH62-32012A	HEAT-SINK TR	AL EXTR	1	RZ5700AV
28	AH62-32005A	HEAT-SINK M	AL EXTR	1	
29	AH62-10024A	INSULATION-RUBBER	INSULATION SHEET	3	
30	AH64-30436E	CABINET-REAR	SECC 1.0T EP2	1	
30	AH64-30436K	CABINET-REAR	SECC 1.0T CP2	1	
31	13104-501-630	TERMINAL-SCREW	SPC1+ABS BLK	1	
32	AH60-30007A	WASHER-PLAIN	ID4.5 OD10 T1	1	
33	AH59-10138C	REMOCON ASSY	BU2478-2Z	1	

# 7-2 RZ-7700AV

EXPLODED-VIEW



**Parts List(RZ-7700AV)**

No.	Code No.	Description	Specification	Q'ty
1	AH61-20523C	CAP-FRONT.R	ABS GOLD	1
1	AH61-20523D	CAP-FRONT.R	ABS BLK	1
2	AH64-11285A	KNOB-RECEIVER	ABS BLK	1
2	AH64-11285B	KNOB-RECEIVER	ABS GOLD	1
3	AH64-11283C	KNOB-FUNCTION	ABS GOLD	1
3	AH64-11283D	KNOB-FUNCTION	ABS BLK	1
4	AH64-00330A	KNOB-VOLUME	ABS BLK	1
4	AH64-00330B	KNOB-VOLUME	ABS GOLD	1
5	AH64-42013B	WINDOW-FLT	ACRYL 2.0T	1
6	AH68-52045A	LABEL-FLT	TOYO TAPE	1
7	AH64-00228L	BADGE-BRAND	"AL L35,SILVER"	1
7	AH64-00228M	BADGE-BRAND	"AL L35,GOLD "	1
8	AH64-30433C	CABINET-FRONT	ABS BLK	1
8	AH64-30433E	CABINET-FRONT	ABS GOLD	1
9	AH64-11282B	KNOB-POWER	ABS GOLD	1
9	AH64-11282C	KNOB-POWER	ABS BLK	1
10	AH67-12007A	LENS-INDICATOR	ACRYL CLEAR	1
11	AH61-20526A	HOLDER-INDICATOR	ABS WHT	1
12	AH61-20524A	HOLDER-FLT	ABS BLK	1
13	AH64-11286A	KNOB-BASS	ABS BLK	1
13	AH64-11286B	KNOB-BASS	ABS GOLD	1
14	AH61-12005A	CHASSIS-FRONT	SECC 1.0T	1
15	AH65-32002B	"CLAMP-SPACE,C"	DALS-12N-1	1
16	AH61-10753A	BRACKET-MIC	SECC 1.0T	1
17	AH64-30435A	CABINET-TOP	PCM 0.9T GRAY	1
17	AH64-30435B	CABINET-TOP	PCM 0.9T GOLD	1
18	AH64-30434A	CABINET-BOTTOM	SECC 1.2T	1
19	AH64-80037B	FOOT	ABS GOLD	2
20	AH64-80037A	FOOT	ABS	2
21	AH69-22007A	CUSHION-FOOT	RUBBER	4
22	AH63-32001A	COVER-BOTTOM	SECC 1.2T	1
23	AH65-32001A	"CLAMP-SPACE,A"	DALS-22N	2
24	AH65-32002A	"CLAMP-SPACE,B"	DALS-10N	2
25	AH62-30061A	HEAT-SINK S	AL EXTR	2
26	AH62-32012A	HEAT-SINK TR	AL EXTR	1
27	AH62-32005A	HEAT-SINK M	AL EXTR	1
28	AH62-10024A	INSULATION-RUBBER	INSULATION SHEET	3
29	AH64-30436H	CABINET-REAR	SECC 1.0T CP2	1
29	AH64-30436M	CABINET-REAR	SECC 1.0T EP2	1
30	13104-501-630	TERMINAL-SCREW	SPC1+ABS BLK	1
31	AH60-30007A	WASHER-PLAIN	ID4.5 OD10 T1	1
32	AH59-10133B	REMOCON ASSY	BU2478-2Z	1









Location no.	Code no.	Description & Specification	Remarks	Location no.	Code no.	Description & Specification	Remarks
TR37	2001-000057	R-CARBON:5.1Kohm,5%,1/8W,AA,TP,1.8x3.2m		AR210	2001-000522	R-CARBON:22Kohm,5%,1/8W,AA,TP,1.8x3.2mm	
UR37	2001-000062	R-CARBON:470ohm,5%,1/4W,AA,TP,2.4x6.4mm		AR51	2001-000522	R-CARBON:22Kohm,5%,1/8W,AA,TP,1.8x3.2mm	
UR63	2001-000062	R-CARBON:470ohm,5%,1/4W,AA,TP,2.4x6.4mm		AR55	2001-000522	R-CARBON:22Kohm,5%,1/8W,AA,TP,1.8x3.2mm	
TR23	2001-000117	R-CARBON(S):68ohm,5%,1/2W,AA,TP,2.4x6.4m		AR56	2001-000522	R-CARBON:22Kohm,5%,1/8W,AA,TP,1.8x3.2mm	
UR38	2001-000221	R-CARBON:1.2Kohm,5%,1/8W,AA,TP,1.8x3.2m		AR60	2001-000522	R-CARBON:22Kohm,5%,1/8W,AA,TP,1.8x3.2mm	
UR46	2001-000221	R-CARBON:1.2Kohm,5%,1/8W,AA,TP,1.8x3.2m		AR202	2001-000552	R-CARBON:270OHM,5%,1/4W,AA,TP,2.4X6.4MM	
UR24	2001-000221	R-CARBON:1.2Kohm,5%,1/8W,AA,TP,1.8x3.2m		TR20	2001-000591	R-CARBON:3.3Kohm,5%,1/8W,AA,TP,1.8x3.2m	
TR13	2001-000241	R-CARBON:1.5Kohm,5%,1/8W,AA,TP,1.8x3.2m		AR76	2001-000591	R-CARBON:3.3Kohm,5%,1/8W,AA,TP,1.8x3.2m	
UR39	2001-000258	R-CARBON:1.8Kohm,5%,1/8W,AA,TP,1.8x3.2m		AR83	2001-000591	R-CARBON:3.3Kohm,5%,1/8W,AA,TP,1.8x3.2m	
UR47	2001-000258	R-CARBON:1.8Kohm,5%,1/8W,AA,TP,1.8x3.2m		AR84	2001-000591	R-CARBON:3.3Kohm,5%,1/8W,AA,TP,1.8x3.2m	
UR55	2001-000258	R-CARBON:1.8Kohm,5%,1/8W,AA,TP,1.8x3.2m		TR16	2001-000591	R-CARBON:3.3Kohm,5%,1/8W,AA,TP,1.8x3.2m	
AR209	2001-000273	R-CARBON:100Kohm,5%,1/8W,AA,TP,1.8x3.2m		TR17	2001-000591	R-CARBON:3.3Kohm,5%,1/8W,AA,TP,1.8x3.2m	
AR72	2001-000273	R-CARBON:100Kohm,5%,1/8W,AA,TP,1.8x3.2m		TR21	2001-000591	R-CARBON:3.3Kohm,5%,1/8W,AA,TP,1.8x3.2m	
AR78	2001-000273	R-CARBON:100Kohm,5%,1/8W,AA,TP,1.8x3.2m		TR5	2001-000591	R-CARBON:3.3Kohm,5%,1/8W,AA,TP,1.8x3.2m	
TR2	2001-000273	R-CARBON:100Kohm,5%,1/8W,AA,TP,1.8x3.2m		AR58	2001-000613	R-CARBON:3.9Kohm,5%,1/8W,AA,TP,1.8x3.2m	
TR38	2001-000273	R-CARBON:100Kohm,5%,1/8W,AA,TP,1.8x3.2m		TR18	2001-000613	R-CARBON:3.9Kohm,5%,1/8W,AA,TP,1.8x3.2m	
TR39	2001-000273	R-CARBON:100Kohm,5%,1/8W,AA,TP,1.8x3.2m		AR250	2001-000660	R-CARBON:33Kohm,5%,1/8W,AA,TP,1.8x3.2mm	
UR3	2001-000273	R-CARBON:100Kohm,5%,1/8W,AA,TP,1.8x3.2m		AR203	2001-000660	R-CARBON:33Kohm,5%,1/8W,AA,TP,1.8x3.2mm	
UR6	2001-000273	R-CARBON:100Kohm,5%,1/8W,AA,TP,1.8x3.2m		AR77	2001-000660	R-CARBON:33Kohm,5%,1/8W,AA,TP,1.8x3.2mm	
AR211	2001-000281	R-CARBON:100ohm,5%,1/8W,AA,TP,1.8x3.2mm		AR79	2001-000702	R-CARBON:39Kohm,5%,1/8W,AA,TP,1.8x3.2mm	
TR12	2001-000281	R-CARBON:100ohm,5%,1/8W,AA,TP,1.8x3.2mm		UR11	2001-000702	R-CARBON:39Kohm,5%,1/8W,AA,TP,1.8x3.2mm	
UR68	2001-000281	R-CARBON:100ohm,5%,1/8W,AA,TP,1.8x3.2mm		UR19	2001-000702	R-CARBON:39Kohm,5%,1/8W,AA,TP,1.8x3.2mm	
UR71	2001-000281	R-CARBON:100ohm,5%,1/8W,AA,TP,1.8x3.2mm		UR29	2001-000734	R-CARBON:4.7Kohm,5%,1/8W,AA,TP,1.8x3.2m	
TR54	2001-000281	R-CARBON:100ohm,5%,1/8W,AA,TP,1.8x3.2mm		UR30	2001-000734	R-CARBON:4.7Kohm,5%,1/8W,AA,TP,1.8x3.2m	
AR165	2001-000290	R-CARBON:10Kohm,5%,1/8W,AA,TP,1.8x3.2mm		UR31	2001-000734	R-CARBON:4.7Kohm,5%,1/8W,AA,TP,1.8x3.2m	
AR168	2001-000290	R-CARBON:10Kohm,5%,1/8W,AA,TP,1.8x3.2mm		UR32	2001-000734	R-CARBON:4.7Kohm,5%,1/8W,AA,TP,1.8x3.2m	
AR200	2001-000290	R-CARBON:10Kohm,5%,1/8W,AA,TP,1.8x3.2mm		UR33	2001-000734	R-CARBON:4.7Kohm,5%,1/8W,AA,TP,1.8x3.2m	
AR201	2001-000290	R-CARBON:10Kohm,5%,1/8W,AA,TP,1.8x3.2mm		UR35	2001-000734	R-CARBON:4.7Kohm,5%,1/8W,AA,TP,1.8x3.2m	
AR44	2001-000290	R-CARBON:10Kohm,5%,1/8W,AA,TP,1.8x3.2mm		UR36	2001-000734	R-CARBON:4.7Kohm,5%,1/8W,AA,TP,1.8x3.2m	
AR45	2001-000290	R-CARBON:10Kohm,5%,1/8W,AA,TP,1.8x3.2mm		UR73	2001-000734	R-CARBON:4.7Kohm,5%,1/8W,AA,TP,1.8x3.2m	
AR52	2001-000290	R-CARBON:10Kohm,5%,1/8W,AA,TP,1.8x3.2mm		UR74	2001-000734	R-CARBON:4.7Kohm,5%,1/8W,AA,TP,1.8x3.2m	
AR53	2001-000290	R-CARBON:10Kohm,5%,1/8W,AA,TP,1.8x3.2mm		UR75	2001-000734	R-CARBON:4.7Kohm,5%,1/8W,AA,TP,1.8x3.2m	
AR59	2001-000290	R-CARBON:10Kohm,5%,1/8W,AA,TP,1.8x3.2mm		AR41	2001-000734	R-CARBON:4.7Kohm,5%,1/8W,AA,TP,1.8x3.2m	
TR10	2001-000290	R-CARBON:10Kohm,5%,1/8W,AA,TP,1.8x3.2mm		AR48	2001-000734	R-CARBON:4.7Kohm,5%,1/8W,AA,TP,1.8x3.2m	
TR26	2001-000290	R-CARBON:10Kohm,5%,1/8W,AA,TP,1.8x3.2mm		UR25	2001-000734	R-CARBON:4.7Kohm,5%,1/8W,AA,TP,1.8x3.2m	
TR34	2001-000290	R-CARBON:10Kohm,5%,1/8W,AA,TP,1.8x3.2mm		AR50	2001-000734	R-CARBON:4.7Kohm,5%,1/8W,AA,TP,1.8x3.2m	
TR35	2001-000290	R-CARBON:10Kohm,5%,1/8W,AA,TP,1.8x3.2mm		AR62	2001-000734	R-CARBON:4.7Kohm,5%,1/8W,AA,TP,1.8x3.2m	
UR13	2001-000290	R-CARBON:10Kohm,5%,1/8W,AA,TP,1.8x3.2mm		TR1	2001-000734	R-CARBON:4.7Kohm,5%,1/8W,AA,TP,1.8x3.2m	
UR14	2001-000290	R-CARBON:10Kohm,5%,1/8W,AA,TP,1.8x3.2mm		TR24	2001-000734	R-CARBON:4.7Kohm,5%,1/8W,AA,TP,1.8x3.2m	
UR15	2001-000290	R-CARBON:10Kohm,5%,1/8W,AA,TP,1.8x3.2mm		TR31	2001-000734	R-CARBON:4.7Kohm,5%,1/8W,AA,TP,1.8x3.2m	
UR16	2001-000290	R-CARBON:10Kohm,5%,1/8W,AA,TP,1.8x3.2mm		UR42	2001-000734	R-CARBON:4.7Kohm,5%,1/8W,AA,TP,1.8x3.2m	
UR28	2001-000290	R-CARBON:10Kohm,5%,1/8W,AA,TP,1.8x3.2mm		UR50	2001-000734	R-CARBON:4.7Kohm,5%,1/8W,AA,TP,1.8x3.2m	
UR17	2001-000290	R-CARBON:10Kohm,5%,1/8W,AA,TP,1.8x3.2mm		UR58	2001-000734	R-CARBON:4.7Kohm,5%,1/8W,AA,TP,1.8x3.2m	
UR80	2001-000290	R-CARBON:10Kohm,5%,1/8W,AA,TP,1.8x3.2mm		AR75	2001-000773	R-CARBON:470Kohm,5%,1/8W,AA,TP,1.8x3.2m	
TR14	2001-000290	R-CARBON:10Kohm,5%,1/8W,AA,TP,1.8x3.2mm		AR63	2001-000780	R-CARBON:470ohm,5%,1/8W,AA,TP,1.8x3.2mm	
UR2	2001-000290	R-CARBON:10Kohm,5%,1/8W,AA,TP,1.8x3.2mm		TR29	2001-000780	R-CARBON:470ohm,5%,1/8W,AA,TP,1.8x3.2mm	
UR5	2001-000290	R-CARBON:10Kohm,5%,1/8W,AA,TP,1.8x3.2mm		UR53	2001-000786	R-CARBON:47Kohm,5%,1/8W,AA,TP,1.8x3.2m	
TR27	2001-000302	R-CARBON:10ohm,5%,1/8W,AA,TP,1.8x3.2mm		UR69	2001-000786	R-CARBON:47Kohm,5%,1/8W,AA,TP,1.8x3.2mm	
TR40	2001-000319	R-CARBON:120Kohm,5%,1/8W,AA,TP,1.8x3.2m		UR70	2001-000786	R-CARBON:47Kohm,5%,1/8W,AA,TP,1.8x3.2mm	
TR41	2001-000319	R-CARBON:120Kohm,5%,1/8W,AA,TP,1.8x3.2m		UR45	2001-000786	R-CARBON:47Kohm,5%,1/8W,AA,TP,1.8x3.2mm	
AR73	2001-000331	R-CARBON:12Kohm,5%,1/8W,AA,TP,1.8x3.2mm		UR61	2001-000786	R-CARBON:47Kohm,5%,1/8W,AA,TP,1.8x3.2mm	
TR11	2001-000331	R-CARBON:12Kohm,5%,1/8W,AA,TP,1.8x3.2mm		AR54	2001-000786	R-CARBON:47Kohm,5%,1/8W,AA,TP,1.8x3.2m	
TR15	2001-000411	R-CARBON:18Kohm,5%,1/8W,AA,TP,1.8x3.2mm		AR74	2001-000786	R-CARBON:47Kohm,5%,1/8W,AA,TP,1.8x3.2mm	
AR46	2001-000429	R-CARBON:1Kohm,5%,1/8W,AA,TP,1.8x3.2mm		UR10	2001-000793	R-CARBON:47ohm,5%,1/8W,AA,TP,1.8x3.2mm	
TR7	2001-000429	R-CARBON:1Kohm,5%,1/8W,AA,TP,1.8x3.2mm		TR55	2001-000857	R-CARBON:560OHM,5%,1/8W,AA,TP,1.8x3.2M	
UR20	2001-000429	R-CARBON:1Kohm,5%,1/8W,AA,TP,1.8x3.2mm		TR25	2001-000802	R-CARBON:5.6KOHM,5%,1/8W,AA,TP,1.8X3.2M	
UR23	2001-000429	R-CARBON:1Kohm,5%,1/8W,AA,TP,1.8x3.2mm		UR10	2001-000864	R-CARBON:56Kohm,5%,1/8W,AA,TP,1.8x3.2mm	
UR72	2001-000429	R-CARBON:1Kohm,5%,1/8W,AA,TP,1.8x3.2mm		AR61	2001-000864	R-CARBON:56Kohm,5%,1/8W,AA,TP,1.8x3.2mm	
UR51	2001-000429	R-CARBON:1Kohm,5%,1/8W,AA,TP,1.8x3.2mm		AR80	2001-000864	R-CARBON:56Kohm,5%,1/8W,AA,TP,1.8x3.2mm	
UR76	2001-000429	R-CARBON:1Kohm,5%,1/8W,AA,TP,1.8x3.2mm		UR12	2001-000864	R-CARBON:56Kohm,5%,1/8W,AA,TP,1.8x3.2mm	
UR26	2001-000429	R-CARBON:1Kohm,5%,1/8W,AA,TP,1.8x3.2mm		UR43	2001-000890	R-CARBON:6.8Kohm,5%,1/8W,AA,TP,1.8x3.2m	
UR27	2001-000429	R-CARBON:1Kohm,5%,1/8W,AA,TP,1.8x3.2mm		UR18	2001-000890	R-CARBON:6.8Kohm,5%,1/8W,AA,TP,1.8x3.2m	
UR77	2001-000429	R-CARBON:1Kohm,5%,1/8W,AA,TP,1.8x3.2mm		UR59	2001-000890	R-CARBON:6.8Kohm,5%,1/8W,AA,TP,1.8x3.2m	
UR4	2001-000429	R-CARBON:1Kohm,5%,1/8W,AA,TP,1.8x3.2mm		UR54	2001-000890	R-CARBON:68Kohm,5%,1/8W,AA,TP,1.8x3.2m	
UR62	2001-000429	R-CARBON:1Kohm,5%,1/8W,AA,TP,1.8x3.2mm		UR64	2001-000890	R-CARBON:68Kohm,5%,1/8W,AA,TP,1.8x3.2m	
TR51	2001-000429	R-CARBON:1Kohm,5%,1/8W,AA,TP,1.8x3.2mm		AR204	2001-000977	R-CARBON:8.2Kohm,5%,1/8W,AA,TP,1.8x3.2m	
TR52	2001-000429	R-CARBON:1Kohm,5%,1/8W,AA,TP,1.8x3.2mm		AR85	2001-000977	R-CARBON:8.2Kohm,5%,1/8W,AA,TP,1.8x3.2m	
TR53	2001-000429	R-CARBON:1Kohm,5%,1/8W,AA,TP,1.8x3.2mm		AR47	2001-000977	R-CARBON:8.2Kohm,5%,1/8W,AA,TP,1.8x3.2m	
UR65	2001-000449	R-CARBON:2.2Kohm,5%,1/8W,AA,TP,1.8x3.2m		TR33	2001-000977	R-CARBON:8.2Kohm,5%,1/8W,AA,TP,1.8x3.2m	
UR66	2001-000449	R-CARBON:2.2Kohm,5%,1/8W,AA,TP,1.8x3.2m		TR22	2001-01138	R-CARBON(S):390ohm,5%,1/2W,AA,TP,2.4x6.4	
UR67	2001-000449	R-CARBON:2.2Kohm,5%,1/8W,AA,TP,1.8x3.2m		AR66	2003-000603	R-METAL OXIDE(S):100ohm,5%,1/1W,AA,TP,3.3x	
AR40	2001-000449	R-CARBON:2.2Kohm,5%,1/8W,AA,TP,1.8x3.2m		AR69	2003-000608	R-METAL OXIDE(S):270ohm,5%,1/1W,AA,TP,3.3x	
AR64	2001-000449	R-CARBON:2.2Kohm,5%,1/8W,AA,TP,1.8x3.2m		TSVR1	2103-000171	VR-SEMI:10Kohm,30%,1/10W, TOP	
TR28	2001-000449	R-CARBON:2.2Kohm,5%,1/8W,AA,TP,1.8x3.2m		TC35	2201-000146	C-CERAMIC,DISC:100pF,5%,50V,SL,TP,5x3.5	
TR3	2001-000449	R-CARBON:2.2Kohm,5%,1/8W,AA,TP,1.8x3.2m		TC37	2201-000146	C-CERAMIC,DISC:100pF,5%,50V,SL,TP,5x3.5	
TR30	2001-000449	R-CARBON:2.2Kohm,5%,1/8W,AA,TP,1.8x3.2m		TC6	2201-000163	C-CERAMIC,DISC:10nF,79.8,50V,Y5V,TP,6.5x	
TR32	2001-000449	R-CARBON:2.2Kohm,5%,1/8W,AA,TP,1.8x3.2m		TC29	2201-000247	C-CERAMIC,DISC:15pF,5%,50V,CH,TP,5x3.5	
UR40	2001-000449	R-CARBON:2.2Kohm,5%,1/8W,AA,TP,1.8x3.2m		TC51	2201-000247	C-CERAMIC,DISC:15pF,5%,50V,CH,TP,5x3.5	
UR48	2001-000449	R-CARBON:2.2Kohm,5%,1/8W,AA,TP,1.8x3.2m		TC2	2201-000273	C-CERAMIC,DISC:18pF,5%,50V,CH,TP,5x3mm,5	
UR56	2001-000449	R-CARBON:2.2Kohm,5%,1/8W,AA,TP,1.8x3.2m		TC42	2201-000280	C-CERAMIC,DISC:180pF,5%,50V,CH,TP,5x3mm,5	
AR206	2001-000472	R-CARBON:2.7Kohm,5%,1/8W,AA,TP,1.8x3.2m		TC4	2201-000381	C-CERAMIC,DISC:22nF,20%,50V,Y5V,8.0X4.0m	
AR67	2001-000472	R-CARBON:2.7Kohm,5%,1/8W,AA,TP,1.8x3.2m		TC7	2201-000381	C-CERAMIC,DISC:22nF,20%,50V,Y5V,8.0X4.0m	
TR8	2001-000472	R-CARBON:2.7Kohm,5%,1/8W,AA,TP,1.8x3.2m		TC8	2201-000381	C-CERAMIC,DISC:22nF,20%,50V,Y5V,8.0X4.0m	
UR41	2001-000472	R-CARBON:2.7Kohm,5%,1/8W,AA,TP,1.8x3.2m		TC28	2201-000423	C-CERAMIC,DISC:27pF,5%,50V,NPO,TP,5x3.2	
UR49	2001-000472	R-CARBON:2.7Kohm,5%,1/8W,AA,TP,1.8x3.2m		UC17	2201-000487	C-CERAMIC,DISC:33pF,5%,50V,SL,TP,5x3.5m	
UR57	2001-000472	R-CARBON:2.7Kohm,5%,1/8W,AA,TP,1.8x3.2m		UC18	2201-000487	C-CERAMIC,DISC:33pF,5%,50V,SL,TP,5x3.5m	
AR43	2001-000508	R-CARBON:220ohm,5%,1/8W,AA,TP,1.8x3.2m		TC36	2201-000557	C-CERAMIC,DISC:470pF,10%,50V,SL,TP,8x4.5	
UR21	2001-000515	R-CARBON:220ohm,5%,1/8W,AA,TP,1.8x3.2mm		TC10	2201-000565	C-CERAMIC,DISC:47nF,20%,50V,Y5V,12.5X4.0	
UR22	2001-000515	R-CARBON:220ohm,5%,1/8W,AA,TP,1.8x3.2mm		TC11	2201-000565	C-CERAMIC,DISC:47nF,20%,50V,Y5V,12.5X4.0	
UR34	2001-000515	R-CARBON:220ohm,5%,1/8W,AA,TP,1.8x3.2mm		TC21	2201-000565	C-CERAMIC,DISC:47nF,20%,50V,Y5V,12.5X4.0	
AR205	2001-000515	R-CARBON:220ohm,5%,1/8W,AA,TP,1.8x3.2mm		TC31	2201-000565	C-CERAMIC,DISC:47nF,20%,50V,Y5V,12.5X4.0	
TR6	2001-000515	R-CARBON:220ohm,5%,1/8W,AA,TP,1.8x3.2mm		TC34	2201-000565	C-CERAMIC,DISC:47nF,20%,50V,Y5V,12.5X4.0	
UR79	2001-000522	R-CARBON:22Kohm,5%,1/8W,AA,TP,1.8x3.2mm		TC5	2201-000565	C-CERAMIC,DISC:47nF,20%,50V,Y5V,12.5X4.0	

Location no.	Code no.	Description & Specification	Remarks	Location no.	Code no.	Description & Specification	Remarks
UC2	2201-000565	C-CERAMIC,DISC,47nF,20%,50V,Y5V,12.5X4.0		PIK3	1001-001016	IC-ANALOG SWITCH;LC78211,CMOS,DIP,30P,33	
UC3	2201-000565	C-CERAMIC,DISC,47nF,20%,50V,Y5V,12.5X4.0		EV1R	3406-001022	4V0.5mA,24PLS	
UC4	2201-000565	C-CERAMIC,DISC,47nF,20%,50V,Y5V,12.5X4.0		ECN1	3711-000898	5268-03	
UC11	2201-000565	C-CERAMIC,DISC,47nF,20%,50V,Y5V,12.5X4.0		PIC19	1203-000276	IC-POSI.FIXED REG.;7805,TO-220,3P,-,PLAS	△
TC16	2201-000642	C-CERAMIC,DISC,680pF,10%,50V,Y5P,TP,5x3,		PIC18	1203-000299	IC-POSI.FIXED REG.;7809,TO-220,3P,-,PLAS	△
TC3	2201-000783	C-CERAMIC,DISC,100nF,+80%,-20%,50V,Y5V,-		PIC1	1204-001314	IC-SOUND PROCESSOR;M62460P,QFP,80P,-,PL	
AC101	2201-000783	C-CERAMIC,DISC,100nF,+80%,-20%,50V,Y5V,-		PC53	2401-000118	C-AL:1000uF,20%,10V,GP,TP,10x12,5.5	
AC102	2201-000783	C-CERAMIC,DISC,100nF,+80%,-20%,50V,Y5V,-		PX1	2802-000158	RESONATOR-CERAMIC;4MHz,0.5%,TP,10,0x0.5	
AC26	2201-000783	C-CERAMIC,DISC,100nF,+80%,-20%,50V,Y5V,-		PCW2	3711-000724	CONNECTOR-HEADER;BOX,15P,1R,2mm,STRAIGHT	
TC1	2201-000783	C-CERAMIC,DISC,100nF,+80%,-20%,50V,Y5V,-		VCW9	3711-001137	CONNECTOR-HEADER;BOX,15P,1R,2mm,STRAIGHT	
UC12	2301-000437	C-FILM,PEF,39NF,10%,50V,TP,9X12.5X4.5,6M		VJACK2	3722-000375	JACK-PCA;4P/2C,3.5mm,SN,BLK,#16-22	
UC13	2301-000437	C-FILM,PEF,39NF,10%,50V,TP,9X12.5X4.5,6M		JK1	3722-000393	JACK-PCA;12P/8C,3.5mm,SN,BLK,#16-22	
UC16	2301-000437	C-FILM,PEF,39NF,10%,50V,TP,9X12.5X4.5,6M		JK2	3722-000393	JACK-PCA;12P/8C,3.5mm,SN,BLK,#16-22	
UC22	2301-000437	C-FILM,PEF,39NF,10%,50V,TP,9X12.5X4.5,6M		JK3	3722-000393	JACK-PCA;12P/8C,3.5mm,SN,BLK,#16-22	
UC14	2202-000780	C-CERAMIC,MLC-AXIAL;100nF,+80-20%,50V,Y5		VIC1	AH14-100084	IC-VIDEO SWITCHING;IC VIDEO-SW,BA7626	
UC15	2202-000780	C-CERAMIC,MLC-AXIAL;100nF,+80-20%,50V,Y5		VJACK1	AH37-22001K	JACK-PIN;42,8MM,S-456A-03,3P,BULK-	
UC51	2202-000853	C-CERAMIC,MLC-AXIAL;4.7NF,30%,16V,Y5R,TP		PCW1	AH39-20561J	LEAD CONNECTOR-ASSY;-51004,35023,15P,10	
TC15	2301-000430	C-FILM,PEF,39NF,10%,50V,TP,7.5X11X4MM,5M		PIK2	1204-001028	IC-VOLUME;M62446F,POP-	
TC1L	2301-000437	C-FILM,PEF,39NF,10%,50V,TP,9X12.5X4.5,6M		PD2	0401-000101	DIODE-SWITCHING;1N4148,100V,200mA,500mW,	
TC1R	2301-000437	C-FILM,PEF,39NF,10%,50V,TP,9X12.5X4.5,6M		PD3	0401-000101	DIODE-SWITCHING;1N4148,100V,200mA,500mW,	
TC22	2301-000449	C-FILM,PEF,47NF,10%,50V,TP,8X11X4.5MM,5M		PD1	0401-000101	DIODE-ZENER;UZS.1B,5.1V,4.8-5.4V,500mW/D	
AC106	2401-000303	C-AL;100uF,20%,25V,GP,TP,6.3x11,2.5		PZD4	0403-000354	DIODE-ZENER;UZS.1B,5.1V,4.8-5.4V,500mW/D	
AC19	2401-000303	C-AL;100uF,20%,25V,GP,TP,6.3x11,2.5		PZD1	0403-000363	DIODE-ZENER;UZ6.8BH,6.8V,6.8-7.2V,500mW,	
TC20	2401-000303	C-AL;100uF,20%,25V,GP,TP,6.3x11,2.5		PZD2	0403-000363	DIODE-ZENER;UZ6.8BH,6.8V,6.8-7.2V,500mW,	
UC5	2401-000303	C-AL;100uF,20%,25V,GP,TP,6.3x11,2.5		PZD3	0403-000363	DIODE-ZENER;UZ6.8BH,6.8V,6.8-7.2V,500mW,	
TC17	2401-000419	C-AL;100uF,20%,16V,GP,-,4X7,5		PZD5	0403-000363	DIODE-ZENER;UZ6.8BH,6.8V,6.8-7.2V,500mW,	
TC18	2401-000419	C-AL;100uF,20%,16V,GP,-,4X7,5		PQ16	0501-000010	TR-SMALL SIGNAL;KSC1008,NPN,800mW,TO-92,	
TC19	2401-000419	C-AL;100uF,20%,16V,GP,-,4X7,5		PQ17	0501-000010	TR-SMALL SIGNAL;KSC1008,NPN,800mW,TO-92,	
TC23	2401-000419	C-AL;100uF,20%,16V,GP,-,4X7,5		VQ1	0501-000303	TR-SMALL SIGNAL;KSA733,PNP,250mW,TO-92,T	
UC109	2401-000649	C-AL;2.2UF,20%,50V,NP,-,4X7,5		VQ2	0501-000303	TR-SMALL SIGNAL;KSA733,PNP,250mW,TO-92,T	
UC110	2401-000649	C-AL;2.2UF,20%,50V,NP,-,4X7,5		PO11	0504-000118	TR-DIGITAL;KSR1003,NPN,300mW,22K-22K,TO-	
UC111	2401-000649	C-AL;2.2UF,20%,50V,NP,-,4X7,5		PQ13	0504-000118	TR-DIGITAL;KSR1003,NPN,300mW,22K-22K,TO-	
UC10	2401-000475	C-AL;100F,20%,50V,GP,-,5x11,2mm		PQ15	0504-000118	TR-DIGITAL;KSR1003,NPN,300mW,22K-22K,TO-	
AC100	2401-000830	C-AL;220F,20%,25V,GP,-,8x11,5,3,3,5m		PQ3	0504-000118	TR-DIGITAL;KSR1003,NPN,300mW,22K-22K,TO-	
TC30	2401-000830	C-AL;220F,20%,25V,GP,-,8x11,5,3,3,5m		PO4	0504-000118	TR-DIGITAL;KSR1003,NPN,300mW,22K-22K,TO-	
TC33	2401-000830	C-AL;220F,20%,25V,GP,-,8x11,5,3,3,5m		PO6	0504-000118	TR-DIGITAL;KSR1003,NPN,300mW,22K-22K,TO-	
TC13	2401-001022	C-AL;3.3uF,20%,50V,GP,-,5x11,2mm		PQ7	0504-000118	TR-DIGITAL;KSR1003,NPN,300mW,22K-22K,TO-	
TC12	2401-001164	C-AL;33uF,20%,16V,GP,-,5x11,2mm		PQ9	0504-000118	TR-DIGITAL;KSR1003,NPN,300mW,22K-22K,TO-	
TC40	2401-001954	C-AL;4.7uF,20%,50V,GP,BK,5x11mm,5		PQ1	0504-001003	TR-DIGITAL;KSR2003,PNP,300mW,22K-22K,TO-	
TC41	2401-001954	C-AL;4.7uF,20%,50V,GP,BK,5x11mm,5		PQ10	0504-001003	TR-DIGITAL;KSR2003,PNP,300mW,22K-22K,TO-	
AC103	2401-001538	C-AL;47UF,20%,25V,GP,-,6X11,2.5MM		PQ12	0504-001003	TR-DIGITAL;KSR2003,PNP,300mW,22K-22K,TO-	
AC20	2401-001538	C-AL;47UF,20%,25V,GP,-,6X11,2.5MM		PQ14	0504-001003	TR-DIGITAL;KSR2003,PNP,300mW,22K-22K,TO-	
AC23	2401-001538	C-AL;47UF,20%,25V,GP,-,6X11,2.5MM		PQ2	0504-001003	TR-DIGITAL;KSR2003,PNP,300mW,22K-22K,TO-	
AC25	2401-001538	C-AL;47UF,20%,25V,GP,-,6X11,2.5MM		PQ5	0504-001003	TR-DIGITAL;KSR2003,PNP,300mW,22K-22K,TO-	
TC27	2401-001538	C-AL;47UF,20%,25V,GP,-,6X11,2.5MM		PQ8	0504-001003	TR-DIGITAL;KSR2003,PNP,300mW,22K-22K,TO-	
TC9	2401-001538	C-AL;47UF,20%,25V,GP,-,6X11,2.5MM		PIK10	1001-000105	IC-ANALOG SWITCH;CD4066BM,BILATERAL CMOS	
UC21	2401-001538	C-AL;47UF,20%,25V,GP,-,6X11,2.5MM		PIK11	1001-000105	IC-ANALOG SWITCH;CD4066BM,BILATERAL CMOS	
UC23	2401-001538	C-AL;47UF,20%,25V,GP,-,6X11,2.5MM		PIK16	1001-000105	IC-ANALOG SWITCH;CD4066BM,BILATERAL CMOS	
UC24	2401-001538	C-AL;47UF,20%,25V,GP,-,6X11,2.5MM		PIK9	1001-000105	IC-ANALOG SWITCH;CD4066BM,BILATERAL CMOS	
UC7	2401-001538	C-AL;47UF,20%,25V,GP,-,6X11,2.5MM		PIK12	1201-000163	IC-OP AMP;4560,SOP,8P,150MIL,DUAL,100V/M	
UC8	2401-001538	C-AL;47UF,20%,25V,GP,-,6X11,2.5MM		PIK13	1201-000163	IC-OP AMP;4560,SOP,8P,150MIL,DUAL,100V/M	
AC27	2401-001912	C-AL;1uF,20%,50V,GP,5x11mm,2mm,BK		PIK14	1201-000163	IC-OP AMP;4560,SOP,8P,150MIL,DUAL,100V/M	
TC24	2401-001912	C-AL;1uF,20%,50V,GP,5x11mm,2mm,BK		PIK17	1201-000163	IC-OP AMP;4560,SOP,8P,150MIL,DUAL,100V/M	
TC26	2401-001912	C-AL;1uF,20%,50V,GP,5x11mm,2mm,BK		PIK4	1201-000163	IC-OP AMP;4560,SOP,8P,150MIL,DUAL,100V/M	
TC38	2401-001912	C-AL;1uF,20%,50V,GP,5x11mm,2mm,BK		PIK5	1201-000163	IC-OP AMP;4560,SOP,8P,150MIL,DUAL,100V/M	
UC1	2401-001912	C-AL;1uF,20%,50V,GP,5x11mm,2mm,BK		PIK6	1201-000163	IC-OP AMP;4560,SOP,8P,150MIL,DUAL,100V/M	
TC14	2401-001938	C-AL;22UF,20%,25V,GP,BK,5X11MM,2MM		PIK7	1201-000163	IC-OP AMP;4560,SOP,8P,150MIL,DUAL,100V/M	
TC32	2401-001938	C-AL;22UF,20%,25V,GP,BK,5X11MM,2MM		PIK8	1201-000163	IC-OP AMP;4560,SOP,8P,150MIL,DUAL,100V/M	
UC9	2401-001938	C-AL;22UF,20%,25V,GP,BK,5X11MM,2MM		MR6L	2001-000008	R-CARBON;15Kohm,5%,1/8W,AA,TP,1.8x3.2mm	
AC21	2401-001954	C-AL;4.7UF,20%,50V,GP,BK,5X11MM,5		MR6R	2001-000008	R-CARBON;15Kohm,5%,1/8W,AA,TP,1.8x3.2mm	
AC24	2401-001954	C-AL;4.7UF,20%,50V,GP,BK,5X11MM,5		PR16L	2001-000008	R-CARBON;15Kohm,5%,1/8W,AA,TP,1.8x3.2mm	
AC104	2401-001968	C-AL;470nF,20%,50V,GP,TP,5x11mm,5		PR17L	2001-000008	R-CARBON;15Kohm,5%,1/8W,AA,TP,1.8x3.2mm	
TC25	2401-001968	C-AL;470nF,20%,50V,GP,TP,5x11mm,5		PR17R	2001-000008	R-CARBON;15Kohm,5%,1/8W,AA,TP,1.8x3.2mm	
TC39	2401-001968	C-AL;470nF,20%,50V,GP,TP,5x11mm,5		PR31	2001-000008	R-CARBON;15Kohm,5%,1/8W,AA,TP,1.8x3.2mm	
USW1	3404-000165	SWITCH-TACT;12V,50mA,160gf+50gf,6x6mm,S		PR34	2001-000008	R-CARBON;15Kohm,5%,1/8W,AA,TP,1.8x3.2mm	
USW10	3404-000165	SWITCH-TACT;12V,50mA,160gf+50gf,6x6mm,S		PR20	2001-000009	R-CARBON;20Kohm,5%,1/8W,AA,TP,1.8x3.2mm	
USW11	3404-000165	SWITCH-TACT;12V,50mA,160gf+50gf,6x6mm,S		PR150	2001-000273	R-CARBON;100Kohm,5%,1/8W,AA,TP,1.8x3.2m	
USW12	3404-000165	SWITCH-TACT;12V,50mA,160gf+50gf,6x6mm,S		MR2L	2001-000273	R-CARBON;100Kohm,5%,1/8W,AA,TP,1.8x3.2m	
USW13	3404-000165	SWITCH-TACT;12V,50mA,160gf+50gf,6x6mm,S		MR2R	2001-000273	R-CARBON;100Kohm,5%,1/8W,AA,TP,1.8x3.2m	
USW14	3404-000165	SWITCH-TACT;12V,50mA,160gf+50gf,6x6mm,S		MR3L	2001-000273	R-CARBON;100Kohm,5%,1/8W,AA,TP,1.8x3.2m	
USW15	3404-000165	SWITCH-TACT;12V,50mA,160gf+50gf,6x6mm,S		MR7L	2001-000273	R-CARBON;100Kohm,5%,1/8W,AA,TP,1.8x3.2m	
USW16	3404-000165	SWITCH-TACT;12V,50mA,160gf+50gf,6x6mm,S		MR7R	2001-000273	R-CARBON;100Kohm,5%,1/8W,AA,TP,1.8x3.2m	
USW17	3404-000165	SWITCH-TACT;12V,50mA,160gf+50gf,6x6mm,S		PR104	2001-000273	R-CARBON;100Kohm,5%,1/8W,AA,TP,1.8x3.2m	
USW18	3404-000165	SWITCH-TACT;12V,50mA,160gf+50gf,6x6mm,S		PR10L	2001-000273	R-CARBON;100Kohm,5%,1/8W,AA,TP,1.8x3.2m	
USW19	3404-000165	SWITCH-TACT;12V,50mA,160gf+50gf,6x6mm,S		PR10R	2001-000273	R-CARBON;100Kohm,5%,1/8W,AA,TP,1.8x3.2m	
USW2	3404-000165	SWITCH-TACT;12V,50mA,160gf+50gf,6x6mm,S		PR11R	2001-000273	R-CARBON;100Kohm,5%,1/8W,AA,TP,1.8x3.2m	
USW20	3404-000165	SWITCH-TACT;12V,50mA,160gf+50gf,6x6mm,S		PR40	2001-000273	R-CARBON;100Kohm,5%,1/8W,AA,TP,1.8x3.2m	
USW21	3404-000165	SWITCH-TACT;12V,50mA,160gf+50gf,6x6mm,S		PR24L	2001-000281	R-CARBON;100ohm,5%,1/8W,AA,TP,1.8x3.2mm	
USW22	3404-000165	SWITCH-TACT;12V,50mA,160gf+50gf,6x6mm,S		PR48	2001-000281	R-CARBON;100ohm,5%,1/8W,AA,TP,1.8x3.2mm	
USW23	3404-000165	SWITCH-TACT;12V,50mA,160gf+50gf,6x6mm,S		VR3	2001-000281	R-CARBON;100ohm,5%,1/8W,AA,TP,1.8x3.2mm	
USW24	3404-000165	SWITCH-TACT;12V,50mA,160gf+50gf,6x6mm,S		VR4	2001-000281	R-CARBON;100ohm,5%,1/8W,AA,TP,1.8x3.2mm	
USW25	3404-000165	SWITCH-TACT;12V,50mA,160gf+50gf,6x6mm,S		PR19	2001-000290	R-CARBON;10Kohm,5%,1/8W,AA,TP,1.8x3.2mm	
USW26	3404-000165	SWITCH-TACT;12V,50mA,160gf+50gf,6x6mm,S		PR19L	2001-000290	R-CARBON;10Kohm,5%,1/8W,AA,TP,1.8x3.2mm	
USW27	3404-000165	SWITCH-TACT;12V,50mA,160gf+50gf,6x6mm,S		PR21	2001-000290	R-CARBON;10Kohm,5%,1/8W,AA,TP,1.8x3.2mm	
USW3	3404-000165	SWITCH-TACT;12V,50mA,160gf+50gf,6x6mm,S		PR22	2001-000290	R-CARBON;10Kohm,5%,1/8W,AA,TP,1.8x3.2mm	
USW4	3404-000165	SWITCH-TACT;12V,50mA,160gf+50gf,6x6mm,S					
USW5	3404-000165	SWITCH-TACT;12V,50mA,160gf+50gf,6x6mm,S					
USW6	3404-000165	SWITCH-TACT;12V,50mA,160gf+50gf,6x6mm,S					
USW7	3404-000165	SWITCH-TACT;12V,50mA,160gf+50gf,6x6mm,S					
USW8	3404-000165	SWITCH-TACT;12V,50mA,160gf+50gf,6x6mm,S					
USW9	3404-000165	SWITCH-TACT;12V,50mA,160gf+50gf,6x6mm,S					

<b>Location no.</b>	<b>Code no.</b>	<b>Description &amp; Specification</b>	<b>Remarks</b>	<b>Location no.</b>	<b>Code no.</b>	<b>Description &amp; Specification</b>	<b>Remarks</b>
PR23	2001-000290	R-CARBON:10Kohm,5%,1/8W,AA,TP,1.8x3.2mm		PR33	2001-000947	R-CARBON:7.5KOHM,5%,1/8W,AA,TP,1.8X3.2M	
PR52	2001-000850	R-CARBON:560Kohm,5%,1/8W,AA,TP,1.8x3.2mm		PR36	2001-000947	R-CARBON:7.5KOHM,5%,1/8W,AA,TP,1.8X3.2M	
PR11	2001-000331	R-CARBON:12Kohm,5%,1/8W,AA,TP,1.8x3.2mm		VR7	2001-000969	R-CARBON:75ohm,5%,1/8W,AA,TP,1.8x3.2mm	
PR46	2001-000331	R-CARBON:12Kohm,5%,1/8W,AA,TP,1.8x3.2mm		VR8	2001-000969	R-CARBON:75ohm,5%,1/8W,AA,TP,1.8x3.2mm	
MR5L	2001-000397	R-CARBON:180Kohm,5%,1/8W,AA,TP,1.8x3.2m		VR9	2001-000969	R-CARBON:75ohm,5%,1/8W,AA,TP,1.8x3.2mm	
MR5R	2001-000397	R-CARBON:180Kohm,5%,1/8W,AA,TP,1.8x3.2m		PR18L	2001-000977	R-CARBON:8.2Kohm,5%,1/8W,AA,TP,1.8x3.2m	
MR8L	2001-000429	R-CARBON:1Kohm,5%,1/8W,AA,TP,1.8x3.2mm		PR18R	2001-000977	R-CARBON:8.2Kohm,5%,1/8W,AA,TP,1.8x3.2m	
MR8R	2001-000429	R-CARBON:1Kohm,5%,1/8W,AA,TP,1.8x3.2mm		PR113	2001-001000	R-CARBON:82Kohm,5%,1/8W,AA,TP,1.8x3.2mm	
PR25	2001-000429	R-CARBON:1Kohm,5%,1/8W,AA,TP,1.8x3.2mm		PR118	2001-001000	R-CARBON:82Kohm,5%,1/8W,AA,TP,1.8x3.2mm	
VR2	2001-000429	R-CARBON:1Kohm,5%,1/8W,AA,TP,1.8x3.2mm		PR116	2001-001000	R-CARBON:82Kohm,5%,1/8W,AA,TP,1.8x3.2mm	
VR5	2001-000429	R-CARBON:1Kohm,5%,1/8W,AA,TP,1.8x3.2mm		PR26L	2001-001000	R-CARBON:82Kohm,5%,1/8W,AA,TP,1.8x3.2mm	
PR117	2001-000435	R-CARBON:1Mohm,5%,1/8W,AA,TP,1.8x3.2mm		PR26R	2001-001000	R-CARBON:82Kohm,5%,1/8W,AA,TP,1.8x3.2mm	
PR24	2001-000435	R-CARBON:1Mohm,5%,1/8W,AA,TP,1.8x3.2mm		PR50	2001-001077	R-CARBON(S):150ohm,5%,1/2W,AA,TP,2.4x6.4	
PR105	2001-000449	R-CARBON:2.2Kohm,5%,1/8W,AA,TP,1.8x3.2m		PR42	2001-001077	R-CARBON(S):150ohm,5%,1/2W,AA,TP,2.4x6.4	
PR119	2001-000449	R-CARBON:2.2Kohm,5%,1/8W,AA,TP,1.8x3.2m		MC4L	2201-000144	C-CERAMIC,DISC:100pF,5%,50V,CH,TP,8x3.5	
PR49	2001-000449	R-CARBON:2.2Kohm,5%,1/8W,AA,TP,1.8x3.2m		MC4R	2201-000144	C-CERAMIC,DISC:100pF,5%,50V,CH,TP,8x3.5	
PR51	2001-000449	R-CARBON:2.2Kohm,5%,1/8W,AA,TP,1.8x3.2m		PC104	2201-000231	C-CERAMIC,DISC:150pF,10%,50V,SL,TP,6x3.5	
PR39	2001-000454	R-CARBON:2.2Mohm,5%,1/8W,AA,TP,1.8x3.2m		PC105	2201-000231	C-CERAMIC,DISC:150pF,10%,50V,SL,TP,6x3.5	
PR41	2001-000356	R-CARBON:150Kohm,5%,1/8W,AA,TP,1.8x3.2m		MC3L	2201-000368	C-CERAMIC,DISC:220pF,10%,50V,SL,TP,6.5x3	
MR1L	2001-000515	R-CARBON:220ohm,5%,1/8W,AA,TP,1.8x3.2mm		MC3R	2201-000368	C-CERAMIC,DISC:220pF,10%,50V,SL,TP,6.5x3	
MR1R	2001-000515	R-CARBON:220ohm,5%,1/8W,AA,TP,1.8x3.2mm		PC114	2201-000368	C-CERAMIC,DISC:220pF,10%,50V,SL,TP,6.5x3	
PR1	2001-000515	R-CARBON:220ohm,5%,1/8W,AA,TP,1.8x3.2mm		PC115	2201-000368	C-CERAMIC,DISC:220pF,10%,50V,SL,TP,6.5x3	
PR103	2001-000515	R-CARBON:220ohm,5%,1/8W,AA,TP,1.8x3.2mm		PC58	2201-000423	C-CERAMIC,DISC:27pF,5%,50V,NPO,TP,5x3.2	
PR1L	2001-000515	R-CARBON:220ohm,5%,1/8W,AA,TP,1.8x3.2mm		PC59	2201-000423	C-CERAMIC,DISC:27pF,5%,50V,NPO,TP,5x3.2	
PR1R	2001-000515	R-CARBON:220ohm,5%,1/8W,AA,TP,1.8x3.2mm		MC5L	2201-000470	C-CERAMIC,DISC:330pF,10%,50V,SL,TP,6.5x3	
PR2	2001-000515	R-CARBON:220ohm,5%,1/8W,AA,TP,1.8x3.2mm		MC5R	2201-000470	C-CERAMIC,DISC:330pF,10%,50V,SL,TP,6.5x3	
PR2L	2001-000515	R-CARBON:220ohm,5%,1/8W,AA,TP,1.8x3.2mm		PC14L	2201-000557	C-CERAMIC,DISC:470pF,10%,50V,SL,TP,8x3.5	
PR2R	2001-000515	R-CARBON:220ohm,5%,1/8W,AA,TP,1.8x3.2mm		PC14R	2201-000557	C-CERAMIC,DISC:470pF,10%,50V,SL,TP,8x3.5	
PR3L	2001-000515	R-CARBON:220ohm,5%,1/8W,AA,TP,1.8x3.2mm		PC13L	2201-000557	C-CERAMIC,DISC:470pF,10%,50V,SL,TP,8x3.5	
PR3R	2001-000515	R-CARBON:220ohm,5%,1/8W,AA,TP,1.8x3.2mm		PC13R	2201-000557	C-CERAMIC,DISC:470pF,10%,50V,SL,TP,8x3.5	
PR4L	2001-000515	R-CARBON:220ohm,5%,1/8W,AA,TP,1.8x3.2mm		PC44	2201-000557	C-CERAMIC,DISC:470pF,10%,50V,SL,TP,8x3.5	
PR4R	2001-000515	R-CARBON:220ohm,5%,1/8W,AA,TP,1.8x3.2mm		PC4L	2201-000557	C-CERAMIC,DISC:470pF,10%,50V,SL,TP,8x3.5	
PR5L	2001-000515	R-CARBON:220ohm,5%,1/8W,AA,TP,1.8x3.2mm		PC4R	2201-000557	C-CERAMIC,DISC:470pF,10%,50V,SL,TP,8x3.5	
PR5R	2001-000515	R-CARBON:220ohm,5%,1/8W,AA,TP,1.8x3.2mm		PC111	2201-000565	C-CERAMIC,DISC:47nF,20%,50V,Y5V,12.5X4.0	
PR6L	2001-000515	R-CARBON:220ohm,5%,1/8W,AA,TP,1.8x3.2mm		PC11L	2201-000601	C-CERAMIC,DISC:560pF,10%,50V,Y5P,TP,5x3	
PR6R	2001-000515	R-CARBON:220ohm,5%,1/8W,AA,TP,1.8x3.2mm		PC27	2201-000601	C-CERAMIC,DISC:560pF,10%,50V,Y5P,TP,5x3	
PR7L	2001-000515	R-CARBON:220ohm,5%,1/8W,AA,TP,1.8x3.2mm		PC11R	2201-000601	C-CERAMIC,DISC:560pF,10%,50V,Y5P,TP,5x3	
PR7R	2001-000515	R-CARBON:220ohm,5%,1/8W,AA,TP,1.8x3.2mm		PC10L	2201-000653	C-CERAMIC,DISC:68pF,5%,50V,SL,5.0*3.0	
PR110	2001-000522	R-CARBON:22Kohm,5%,1/8W,AA,TP,1.8x3.2mm		PC10R	2201-000653	C-CERAMIC,DISC:68pF,5%,50V,SL,5.0*3.0	
PR111	2001-000522	R-CARBON:22Kohm,5%,1/8W,AA,TP,1.8x3.2mm		PC100	2201-000653	C-CERAMIC,DISC:68pF,5%,50V,SL,5.0*3.0	
PR112	2001-000522	R-CARBON:22Kohm,5%,1/8W,AA,TP,1.8x3.2mm		PC45	2201-000642	C-CERAMIC,DISC:680pF,10%,50V,Y5P,TP,5x3	
PR3	2001-000522	R-CARBON:22Kohm,5%,1/8W,AA,TP,1.8x3.2mm		PC49	2201-000642	C-CERAMIC,DISC:680pF,10%,50V,Y5P,TP,5x3	
PR4	2001-000522	R-CARBON:22Kohm,5%,1/8W,AA,TP,1.8x3.2mm		PC101	2201-000783	C-CERAMIC,DISC:100nF,+80%,-20%,50V,Y5V,-	
PR5	2001-000522	R-CARBON:22Kohm,5%,1/8W,AA,TP,1.8x3.2mm		PC102	2201-000783	C-CERAMIC,DISC:100nF,+80%,-20%,50V,Y5V,-	
PR6	2001-000522	R-CARBON:22Kohm,5%,1/8W,AA,TP,1.8x3.2mm		PC116	2201-000783	C-CERAMIC,DISC:100nF,+80%,-20%,50V,Y5V,-	
PR7	2001-000522	R-CARBON:22Kohm,5%,1/8W,AA,TP,1.8x3.2mm		PC112	2201-000783	C-CERAMIC,DISC:100nF,+80%,-20%,50V,Y5V,-	
PR8	2001-000522	R-CARBON:22Kohm,5%,1/8W,AA,TP,1.8x3.2mm		VC8	2201-000783	C-CERAMIC,DISC:100nF,+80%,-20%,50V,Y5V,-	
PR9	2001-000522	R-CARBON:22Kohm,5%,1/8W,AA,TP,1.8x3.2mm		PC67	2201-000783	C-CERAMIC,DISC:100nF,+80%,-20%,50V,Y5V,-	
PR23L	2001-000522	R-CARBON:22Kohm,5%,1/8W,AA,TP,1.8x3.2mm		PC30	2301-000302	C-FILM,PEF,680nF,10%,100V,-,-,-	
PR23R	2001-000522	R-CARBON:22Kohm,5%,1/8W,AA,TP,1.8x3.2mm		PC17	2301-000370	C-FILM,PEF,1.8NF,10%,50V,TP,5.5X7X2.8M,5	
PR28	2001-000539	R-CARBON:24Kohm,5%,1/8W,AA,TP,1.8x3.2mm		PC23	2301-000370	C-FILM,PEF,1.8NF,10%,50V,TP,5.5X7X2.8M,5	
PR29	2001-000539	R-CARBON:24Kohm,5%,1/8W,AA,TP,1.8x3.2mm		PC12	2301-000375	C-FILM,PEF:100nF,5%,50V,TP,11x12.5x6.5,7	
PR27L	2001-000587	R-CARBON:3.3Kohm,5%,1/2W,AA,TP,3.3x9mm		PC19	2301-000375	C-FILM,PEF:100nF,5%,50V,TP,11x12.5x6.5,7	
PR27R	2001-000587	R-CARBON:3.3Kohm,5%,1/2W,AA,TP,3.3x9mm		PC20	2301-000375	C-FILM,PEF:100nF,5%,50V,TP,11x12.5x6.5,7	
PR37	2001-000613	R-CARBON:3.9Kohm,5%,1/8W,AA,TP,1.8x3.2m		PC24	2301-000375	C-FILM,PEF:100nF,5%,50V,TP,11x12.5x6.5,7	
PR38	2001-000613	R-CARBON:3.9Kohm,5%,1/8W,AA,TP,1.8x3.2m		PC25	2301-000375	C-FILM,PEF:100nF,5%,50V,TP,11x12.5x6.5,7	
PR30	2001-000645	R-CARBON:390Kohm,5%,1/8W,AA,TP,1.8x3.2m		PC26	2301-000375	C-FILM,PEF:100nF,5%,50V,TP,11x12.5x6.5,7	
PR107	2001-000734	R-CARBON:4.7Kohm,5%,1/8W,AA,TP,1.8x3.2m		PC37	2301-000375	C-FILM,PEF:100nF,5%,50V,TP,11x12.5x6.5,7	
PR109	2001-000734	R-CARBON:4.7Kohm,5%,1/8W,AA,TP,1.8x3.2m		PC40	2301-000375	C-FILM,PEF:100nF,5%,50V,TP,11x12.5x6.5,7	
PR114	2001-000734	R-CARBON:4.7Kohm,5%,1/8W,AA,TP,1.8x3.2m		PC41	2301-000375	C-FILM,PEF:100nF,5%,50V,TP,11x12.5x6.5,7	
PR115	2001-000734	R-CARBON:4.7Kohm,5%,1/8W,AA,TP,1.8x3.2m		PC46	2301-000375	C-FILM,PEF:100nF,5%,50V,TP,11x12.5x6.5,7	
PR101	2001-000780	R-CARBON:470ohm,5%,1/8W,AA,TP,1.8x3.2mm		PC47	2301-000375	C-FILM,PEF:100nF,5%,50V,TP,11x12.5x6.5,7	
PR102	2001-000780	R-CARBON:470ohm,5%,1/8W,AA,TP,1.8x3.2mm		PC48	2301-000375	C-FILM,PEF:100nF,5%,50V,TP,11x12.5x6.5,7	
PR47	2001-000780	R-CARBON:470ohm,5%,1/8W,AA,TP,1.8x3.2mm		PC50	2301-000375	C-FILM,PEF:100nF,5%,50V,TP,11x12.5x6.5,7	
PR8L	2001-000780	R-CARBON:470ohm,5%,1/8W,AA,TP,1.8x3.2mm		PC51	2301-000375	C-FILM,PEF:100nF,5%,50V,TP,11x12.5x6.5,7	
PR8R	2001-000780	R-CARBON:470ohm,5%,1/8W,AA,TP,1.8x3.2mm		PC16	2301-000379	C-FILM,PEF:10NF,10%,50V,TP,6X7X3.2MM,5MM	
PR9L	2001-000780	R-CARBON:470ohm,5%,1/8W,AA,TP,1.8x3.2mm		PC22	2301-000379	C-FILM,PEF:10NF,10%,50V,TP,6X7X3.2MM,5MM	
PR9R	2001-000780	R-CARBON:470ohm,5%,1/8W,AA,TP,1.8x3.2mm		PC6L	2301-000390	C-FILM,PEF:15NF,10%,50V,TP,6.5X9X3.5MM,5	
PR12L	2001-000786	R-CARBON:47Kohm,5%,1/8W,AA,TP,1.8x3.2mm		PC6R	2301-000390	C-FILM,PEF:15NF,10%,50V,TP,6.5X9X3.5MM,5	
PR12R	2001-000786	R-CARBON:47Kohm,5%,1/8W,AA,TP,1.8x3.2mm		MC6L	2301-000393	C-FILM,PEF:18NF,10%,50V,TP,6.5X12.5X3.5M	
PR13L	2001-000786	R-CARBON:47Kohm,5%,1/8W,AA,TP,1.8x3.2mm		MC6R	2301-000393	C-FILM,PEF:18NF,10%,50V,TP,6.5X12.5X3.5M	
PR13R	2001-000786	R-CARBON:47Kohm,5%,1/8W,AA,TP,1.8x3.2mm		PC106	2301-000393	C-FILM,PEF:18NF,10%,50V,TP,6.5X12.5X3.5M	
PR14L	2001-000786	R-CARBON:47Kohm,5%,1/8W,AA,TP,1.8x3.2mm		MC9L	2301-000400	C-FILM,PEF:1NF,10%,50V,TP,5X7X2.8MM,5MM	
PR14R	2001-000786	R-CARBON:47Kohm,5%,1/8W,AA,TP,1.8x3.2mm		MC9R	2301-000400	C-FILM,PEF:1NF,10%,50V,TP,5X7X2.8MM,5MM	
PR32	2001-000786	R-CARBON:47Kohm,5%,1/8W,AA,TP,1.8x3.2mm		PC108	2301-000404	C-FILM,PEF:2.2NF,10%,50V,TP,5.5X7X3.2MM,	
PR35	2001-000786	R-CARBON:47Kohm,5%,1/8W,AA,TP,1.8x3.2mm		PC109	2301-000404	C-FILM,PEF:2.2NF,10%,50V,TP,5.5X7X3.2MM,	
PR44	2001-000786	R-CARBON:47Kohm,5%,1/8W,AA,TP,1.8x3.2mm		PC31	2301-000411	C-FILM,PEF:220NF,5%,50V,BK,-,-	
PR106	2001-000802	R-CARBON:5.6KOHM,5%,1/8W,AA,TP,1.8X3.2M		PC32	2301-000411	C-FILM,PEF:220NF,5%,50V,BK,-,-	
PR108	2001-000802	R-CARBON:5.6KOHM,5%,1/8W,AA,TP,1.8X3.2M		PC35	2301-000411	C-FILM,PEF:220NF,5%,50V,BK,-,-	
PR26	2001-000837	R-CARBON:5.1Kohm,5%,1/8W,AA,TP,1.8x3.2mm		PC36	2301-000411	C-FILM,PEF:220NF,5%,50V,BK,-,-	
PR27	2001-000837	R-CARBON:5.1Kohm,5%,1/8W,AA,TP,1.8x3.2mm		PC42	2301-000412	C-FILM,PEF:22NF,10%,50V,TP,6.5X10.5X4MM,	
MR4L	2001-000855	R-CARBON:560ohm,5%,1/4W,AA,TP,2.4x6.4mm		PC43	2301-000412	C-FILM,PEF:22NF,10%,50V,TP,6.5X10.5X4MM,	
MR4R	2001-000855	R-CARBON:560ohm,5%,1/4W,AA,TP,2.4x6.4mm		MC7L	2301-000442	C-FILM,PEF:4.7NF,10%,50V,TP,5.5x7x3mm,5m	
PR10	2001-000890	R-CARBON:6.8Kohm,5%,1/8W,AA,TP,1.8x3.2m		MC7R	2301-000442	C-FILM,PEF:4.7NF,10%,50V,TP,5.5x7x3mm,5m	
PR15L	2001-000890	R-CARBON:6.8Kohm,5%,1/8W,AA,TP,1.8x3.2m		PC7L	2301-000442	C-FILM,PEF:4.7NF,10%,50V,TP,5.5x7x3mm,5m	
PR15R	2001-000890	R-CARBON:6.8Kohm,5%,1/8W,AA,TP,1.8x3.2m		PC7R	2301-000442	C-FILM,PEF:4.7NF,10%,50V,TP,5.5x7x3mm,5m	
PR22L	2001-000890	R-CARBON:6.8Kohm,5%,1/8W,AA,TP,1.8x3.2m		PC29	2301-000449	C-FILM,PEF:47NF,10%,50V,TP,8X11X4.5MM,5M	













Location no.	Code no.	Description & Specification	Remarks	Location no.	Code no.	Description & Specification	Remarks
PQ10	0504-001003	TR-DIGITAL;KSR2003;PNP;300MW;22K-22K;TO-		PR3	2001-000522	R-CARBON;22Kohm,5%,1/8W,AA,TP;1.8x3.2mm	
PQ12	0504-001003	TR-DIGITAL;KSR2003;PNP;300MW;22K-22K;TO-		PR4	2001-000522	R-CARBON;22Kohm,5%,1/8W,AA,TP;1.8x3.2mm	
PQ14	0504-001003	TR-DIGITAL;KSR2003;PNP;300MW;22K-22K;TO-		PR5	2001-000522	R-CARBON;22Kohm,5%,1/8W,AA,TP;1.8x3.2mm	
PQ2	0504-001003	TR-DIGITAL;KSR2003;PNP;300MW;22K-22K;TO-		PR6	2001-000522	R-CARBON;22Kohm,5%,1/8W,AA,TP;1.8x3.2mm	
PQ5	0504-001003	TR-DIGITAL;KSR2003;PNP;300MW;22K-22K;TO-		PR7	2001-000522	R-CARBON;22Kohm,5%,1/8W,AA,TP;1.8x3.2mm	
PQ8	0504-001003	TR-DIGITAL;KSR2003;PNP;300MW;22K-22K;TO-		PR8	2001-000522	R-CARBON;22Kohm,5%,1/8W,AA,TP;1.8x3.2mm	
PIC10	1001-000105	IC-ANALOG SWITCH;CD4066BM;BILATERAL CMOS		PR9	2001-000522	R-CARBON;22Kohm,5%,1/8W,AA,TP;1.8x3.2mm	
PIC11	1001-000105	IC-ANALOG SWITCH;CD4066BM;BILATERAL CMOS		PR28	2001-000539	R-CARBON;24Kohm,5%,1/8W,AA,TP;1.8x3.2mm	
PIC16	1001-000105	IC-ANALOG SWITCH;CD4066BM;BILATERAL CMOS		PR29	2001-000539	R-CARBON;24Kohm,5%,1/8W,AA,TP;1.8x3.2mm	
PIC9	1001-000105	IC-ANALOG SWITCH;CD4066BM;BILATERAL CMOS		PR27L	2001-000587	R-CARBON;3.3Kohm,5%,1/2W,AA,TP;3.3x9mm	
PIC12	1201-000163	IC-OP AMP;4560;SOP;8P;150MIL;DUAL;100V/M		PR27R	2001-000587	R-CARBON;3.3Kohm,5%,1/2W,AA,TP;3.3x9mm	
PIC13	1201-000163	IC-OP AMP;4560;SOP;8P;150MIL;DUAL;100V/M		PR37	2001-000613	R-CARBON;3.9Kohm,5%,1/8W,AA,TP;1.8x3.2mm	
PIC14	1201-000163	IC-OP AMP;4560;SOP;8P;150MIL;DUAL;100V/M		PR38	2001-000613	R-CARBON;3.9Kohm,5%,1/8W,AA,TP;1.8x3.2mm	
PIC15	1201-000163	IC-OP AMP;4560;SOP;8P;150MIL;DUAL;100V/M		PR30	2001-000645	R-CARBON;330Kohm,5%,1/8W,AA,TP;1.8x3.2mm	
PIC17	1201-000163	IC-OP AMP;4560;SOP;8P;150MIL;DUAL;100V/M		PR23L	2001-000660	R-CARBON;33Kohm,5%,1/8W,AA,TP;1.8x3.2mm	
PIC4	1201-000163	IC-OP AMP;4560;SOP;8P;150MIL;DUAL;100V/M		PR23R	2001-000660	R-CARBON;33Kohm,5%,1/8W,AA,TP;1.8x3.2mm	
PIC5	1201-000163	IC-OP AMP;4560;SOP;8P;150MIL;DUAL;100V/M		PR107	2001-000734	R-CARBON;4.7Kohm,5%,1/8W,AA,TP;1.8x3.2mm	
PIC6	1201-000163	IC-OP AMP;4560;SOP;8P;150MIL;DUAL;100V/M		PR109	2001-000734	R-CARBON;4.7Kohm,5%,1/8W,AA,TP;1.8x3.2mm	
PIC7	1201-000163	IC-OP AMP;4560;SOP;8P;150MIL;DUAL;100V/M		PR114	2001-000734	R-CARBON;4.7Kohm,5%,1/8W,AA,TP;1.8x3.2mm	
PIC8	1201-000163	IC-OP AMP;4560;SOP;8P;150MIL;DUAL;100V/M		PR115	2001-000734	R-CARBON;4.7Kohm,5%,1/8W,AA,TP;1.8x3.2mm	
MR6L	2001-000008	R-CARBON;15Kohm,5%,1/8W,AA,TP;1.8x3.2mm		PR101	2001-000780	R-CARBON;470ohm,5%,1/8W,AA,TP;1.8x3.2mm	
MR6R	2001-000008	R-CARBON;15Kohm,5%,1/8W,AA,TP;1.8x3.2mm		PR102	2001-000780	R-CARBON;470ohm,5%,1/8W,AA,TP;1.8x3.2mm	
PR16L	2001-000008	R-CARBON;15Kohm,5%,1/8W,AA,TP;1.8x3.2mm		PR25L	2001-000780	R-CARBON;470ohm,5%,1/8W,AA,TP;1.8x3.2mm	
PR16R	2001-000008	R-CARBON;15Kohm,5%,1/8W,AA,TP;1.8x3.2mm		PR25R	2001-000780	R-CARBON;470ohm,5%,1/8W,AA,TP;1.8x3.2mm	
PR17L	2001-000008	R-CARBON;15Kohm,5%,1/8W,AA,TP;1.8x3.2mm		PR47	2001-000780	R-CARBON;470ohm,5%,1/8W,AA,TP;1.8x3.2mm	
PR17R	2001-000008	R-CARBON;15Kohm,5%,1/8W,AA,TP;1.8x3.2mm		PR8L	2001-000780	R-CARBON;470ohm,5%,1/8W,AA,TP;1.8x3.2mm	
PR31	2001-000008	R-CARBON;15Kohm,5%,1/8W,AA,TP;1.8x3.2mm		PR8R	2001-000780	R-CARBON;470ohm,5%,1/8W,AA,TP;1.8x3.2mm	
PR34	2001-000008	R-CARBON;15Kohm,5%,1/8W,AA,TP;1.8x3.2mm		PR9L	2001-000780	R-CARBON;470ohm,5%,1/8W,AA,TP;1.8x3.2mm	
PR20	2001-000009	R-CARBON;20Kohm,5%,1/8W,AA,TP;1.8x3.2mm		PR9R	2001-000780	R-CARBON;470ohm,5%,1/8W,AA,TP;1.8x3.2mm	
PR44	2001-000010	R-CARBON;68Kohm,5%,1/8W,AA,TP;1.8x3.2mm		PR12L	2001-000786	R-CARBON;47Kohm,5%,1/8W,AA,TP;1.8x3.2mm	
PR150	2001-000273	R-CARBON;100Kohm,5%,1/8W,AA,TP;1.8x3.2mm		PR12R	2001-000786	R-CARBON;47Kohm,5%,1/8W,AA,TP;1.8x3.2mm	
MR2L	2001-000273	R-CARBON;100Kohm,5%,1/8W,AA,TP;1.8x3.2mm		PR13L	2001-000786	R-CARBON;47Kohm,5%,1/8W,AA,TP;1.8x3.2mm	
MR2R	2001-000273	R-CARBON;100Kohm,5%,1/8W,AA,TP;1.8x3.2mm		PR13R	2001-000786	R-CARBON;47Kohm,5%,1/8W,AA,TP;1.8x3.2mm	
MR3L	2001-000273	R-CARBON;100Kohm,5%,1/8W,AA,TP;1.8x3.2mm		PR14L	2001-000786	R-CARBON;47Kohm,5%,1/8W,AA,TP;1.8x3.2mm	
MR3R	2001-000273	R-CARBON;100Kohm,5%,1/8W,AA,TP;1.8x3.2mm		PR14R	2001-000786	R-CARBON;47Kohm,5%,1/8W,AA,TP;1.8x3.2mm	
MR7L	2001-000273	R-CARBON;100Kohm,5%,1/8W,AA,TP;1.8x3.2mm		PR32	2001-000786	R-CARBON;47Kohm,5%,1/8W,AA,TP;1.8x3.2mm	
MR7R	2001-000273	R-CARBON;100Kohm,5%,1/8W,AA,TP;1.8x3.2mm		PR35	2001-000786	R-CARBON;47Kohm,5%,1/8W,AA,TP;1.8x3.2mm	
PR104	2001-000273	R-CARBON;100Kohm,5%,1/8W,AA,TP;1.8x3.2mm		PR106	2001-000802	R-CARBON;5.6KOHM,5%,1/8W,AA,TP;1.8X3.2M	
PR10L	2001-000273	R-CARBON;100Kohm,5%,1/8W,AA,TP;1.8x3.2mm		PR108	2001-000802	R-CARBON;5.6KOHM,5%,1/8W,AA,TP;1.8X3.2M	
PR10R	2001-000273	R-CARBON;100Kohm,5%,1/8W,AA,TP;1.8x3.2mm		PR26	2001-000837	R-CARBON;51Kohm,5%,1/8W,AA,TP;1.8x3.2mm	
PR11L	2001-000273	R-CARBON;100Kohm,5%,1/8W,AA,TP;1.8x3.2mm		MR7	2001-000837	R-CARBON;51Kohm,5%,1/8W,AA,TP;1.8x3.2mm	
PR11R	2001-000273	R-CARBON;100Kohm,5%,1/8W,AA,TP;1.8x3.2mm		MR4L	2001-000855	R-CARBON;560ohm,5%,1/4W,AA,TP;2.4x6.4mm	
PR40	2001-000273	R-CARBON;100Kohm,5%,1/8W,AA,TP;1.8x3.2mm		MR4R	2001-000855	R-CARBON;560ohm,5%,1/4W,AA,TP;2.4x6.4mm	
PR24L	2001-000281	R-CARBON;100ohm,5%,1/8W,AA,TP;1.8x3.2mm		PR10	2001-000890	R-CARBON;6.8Kohm,5%,1/8W,AA,TP;1.8x3.2mm	
PR24R	2001-000281	R-CARBON;100ohm,5%,1/8W,AA,TP;1.8x3.2mm		PR15L	2001-000890	R-CARBON;6.8Kohm,5%,1/8W,AA,TP;1.8x3.2mm	
PR48	2001-000281	R-CARBON;100ohm,5%,1/8W,AA,TP;1.8x3.2mm		PR15R	2001-000890	R-CARBON;6.8Kohm,5%,1/8W,AA,TP;1.8x3.2mm	
VR3	2001-000281	R-CARBON;100ohm,5%,1/8W,AA,TP;1.8x3.2mm		PR22L	2001-000890	R-CARBON;6.8Kohm,5%,1/8W,AA,TP;1.8x3.2mm	
VR4	2001-000281	R-CARBON;100ohm,5%,1/8W,AA,TP;1.8x3.2mm		PR22R	2001-000890	R-CARBON;6.8Kohm,5%,1/8W,AA,TP;1.8x3.2mm	
PR19	2001-000290	R-CARBON;10Kohm,5%,1/8W,AA,TP;1.8x3.2mm		PR43	2001-000890	R-CARBON;6.8Kohm,5%,1/8W,AA,TP;1.8x3.2mm	
PR19L	2001-000290	R-CARBON;10Kohm,5%,1/8W,AA,TP;1.8x3.2mm		VR1	2001-000938	R-CARBON;68ohm,5%,1/8W,AA,TP;1.8x3.2mm	
PR19R	2001-000290	R-CARBON;10Kohm,5%,1/8W,AA,TP;1.8x3.2mm		VR6	2001-000938	R-CARBON;68ohm,5%,1/8W,AA,TP;1.8x3.2mm	
PR21	2001-000290	R-CARBON;10Kohm,5%,1/8W,AA,TP;1.8x3.2mm		PR33	2001-000947	R-CARBON;7.5KOHM,5%,1/8W,AA,TP;1.8X3.2M	
PR22	2001-000290	R-CARBON;10Kohm,5%,1/8W,AA,TP;1.8x3.2mm		PR36	2001-000947	R-CARBON;7.5KOHM,5%,1/8W,AA,TP;1.8X3.2M	
PR23	2001-000290	R-CARBON;10Kohm,5%,1/8W,AA,TP;1.8x3.2mm		VR7	2001-000969	R-CARBON;75ohm,5%,1/8W,AA,TP;1.8x3.2mm	
PR11	2001-000331	R-CARBON;12Kohm,5%,1/8W,AA,TP;1.8x3.2mm		VR8	2001-000969	R-CARBON;75ohm,5%,1/8W,AA,TP;1.8x3.2mm	
PR46	2001-000331	R-CARBON;12Kohm,5%,1/8W,AA,TP;1.8x3.2mm		VR9	2001-000969	R-CARBON;75ohm,5%,1/8W,AA,TP;1.8x3.2mm	
MR5L	2001-000397	R-CARBON;180Kohm,5%,1/8W,AA,TP;1.8x3.2mm		PR18L	2001-000977	R-CARBON;8.2Kohm,5%,1/8W,AA,TP;1.8x3.2mm	
MR5R	2001-000397	R-CARBON;180Kohm,5%,1/8W,AA,TP;1.8x3.2mm		PR18R	2001-000977	R-CARBON;8.2Kohm,5%,1/8W,AA,TP;1.8x3.2mm	
MR8L	2001-000429	R-CARBON;1Kohm,5%,1/8W,AA,TP;1.8x3.2mm		PR113	2001-001000	R-CARBON;82Kohm,5%,1/8W,AA,TP;1.8x3.2mm	
MR8R	2001-000429	R-CARBON;1Kohm,5%,1/8W,AA,TP;1.8x3.2mm		PR118	2001-001000	R-CARBON;82Kohm,5%,1/8W,AA,TP;1.8x3.2mm	
PR25	2001-000429	R-CARBON;1Kohm,5%,1/8W,AA,TP;1.8x3.2mm		PR116	2001-001000	R-CARBON;82Kohm,5%,1/8W,AA,TP;1.8x3.2mm	
VR2	2001-000429	R-CARBON;1Kohm,5%,1/8W,AA,TP;1.8x3.2mm		PR26L	2001-001000	R-CARBON;82Kohm,5%,1/8W,AA,TP;1.8x3.2mm	
VR5	2001-000429	R-CARBON;1Kohm,5%,1/8W,AA,TP;1.8x3.2mm		PR26R	2001-001000	R-CARBON;82Kohm,5%,1/8W,AA,TP;1.8x3.2mm	
PR117	2001-000435	R-CARBON;1Mohm,5%,1/8W,AA,TP;1.8x3.2mm		PR50	2001-001077	R-CARBON(S);150ohm,5%,1/2W,AA,TP;2.4x6.4	
PR24	2001-000435	R-CARBON;1Mohm,5%,1/8W,AA,TP;1.8x3.2mm		PR42	2001-001077	R-CARBON(S);150ohm,5%,1/2W,AA,TP;2.4x6.4	
PR105	2001-000449	R-CARBON;2.2Kohm,5%,1/8W,AA,TP;1.8x3.2mm		MC4L	2201-000144	C-CERAMIC,DISC;100pF,5%,50V,CH,TP;8x3.5	
PR119	2001-000449	R-CARBON;2.2Kohm,5%,1/8W,AA,TP;1.8x3.2mm		MC4R	2201-000144	C-CERAMIC,DISC;100pF,5%,50V,CH,TP;8x3.5	
PR49	2001-000449	R-CARBON;2.2Kohm,5%,1/8W,AA,TP;1.8x3.2mm		PC104	2201-000231	C-CERAMIC,DISC;150pF,10%,50V,SL,TP;6x3.5	
PR51	2001-000449	R-CARBON;2.2Kohm,5%,1/8W,AA,TP;1.8x3.2mm		PC105	2201-000231	C-CERAMIC,DISC;150pF,10%,50V,SL,TP;6x3.5	
PR39	2001-000454	R-CARBON;2.2Mohm,5%,1/8W,AA,TP;1.8x3.2mm		MC3L	2201-000368	C-CERAMIC,DISC;220pF,10%,50V,SL,TP;6.5x3	
MR1L	2001-000356	R-CARBON;150Kohm,5%,1/8W,AA,TP;1.8x3.2mm		MC3R	2201-000368	C-CERAMIC,DISC;220pF,10%,50V,SL,TP;6.5x3	
MR1R	2001-000356	R-CARBON;150Kohm,5%,1/8W,AA,TP;1.8x3.2mm		PC114	2201-000368	C-CERAMIC,DISC;220pF,10%,50V,SL,TP;6.5x3	
PR1	2001-000515	R-CARBON;220ohm,5%,1/8W,AA,TP;1.8x3.2mm		PC115	2201-000368	C-CERAMIC,DISC;220pF,10%,50V,SL,TP;6.5x3	
PR103	2001-000515	R-CARBON;220ohm,5%,1/8W,AA,TP;1.8x3.2mm		PC58	2201-000423	C-CERAMIC,DISC;27pF,5%,50V,NPO,TP;5x3.2	
PR1L	2001-000515	R-CARBON;220ohm,5%,1/8W,AA,TP;1.8x3.2mm		PC59	2201-000423	C-CERAMIC,DISC;27pF,5%,50V,NPO,TP;5x3.2	
PR1R	2001-000515	R-CARBON;220ohm,5%,1/8W,AA,TP;1.8x3.2mm		MC5L	2201-000470	C-CERAMIC,DISC;330pF,10%,50V,SL,TP;6.5x3	
PR2	2001-000515	R-CARBON;220ohm,5%,1/8W,AA,TP;1.8x3.2mm		MC5R	2201-000470	C-CERAMIC,DISC;330pF,10%,50V,SL,TP;6.5x3	
PR2L	2001-000515	R-CARBON;220ohm,5%,1/8W,AA,TP;1.8x3.2mm		PC14L	2201-000557	C-CERAMIC,DISC;470pF,10%,50V,SL,TP;8x3.5	
PR2R	2001-000515	R-CARBON;220ohm,5%,1/8W,AA,TP;1.8x3.2mm		PC13L	2201-000557	C-CERAMIC,DISC;470pF,10%,50V,SL,TP;8x3.5	
PR3L	2001-000515	R-CARBON;220ohm,5%,1/8W,AA,TP;1.8x3.2mm		PC13R	2201-000557	C-CERAMIC,DISC;470pF,10%,50V,SL,TP;8x3.5	
PR3R	2001-000515	R-CARBON;220ohm,5%,1/8W,AA,TP;1.8x3.2mm		PC44	2201-000557	C-CERAMIC,DISC;470pF,10%,50V,SL,TP;8x3.5	
PR4L	2001-000515	R-CARBON;220ohm,5%,1/8W,AA,TP;1.8x3.2mm		PC4L	2201-000557	C-CERAMIC,DISC;470pF,10%,50V,SL,TP;8x3.5	
PR4R	2001-000515	R-CARBON;220ohm,5%,1/8W,AA,TP;1.8x3.2mm		PC4R	2201-000557	C-CERAMIC,DISC;470pF,10%,50V,SL,TP;8x3.5	
PR5L	2001-000515	R-CARBON;220ohm,5%,1/8W,AA,TP;1.8x3.2mm		PC111	2201-000565	C-CERAMIC,DISC;47nF,20%,50V,Y5V,12.5X4.0	
PR5R	2001-000515	R-CARBON;220ohm,5%,1/8W,AA,TP;1.8x3.2mm		PC100	2201-000576	C-CERAMIC,DISC;47pF,5%,50V,SL,TP;4x4mm,2	
PR6L	2001-000515	R-CARBON;220ohm,5%,1/8W,AA,TP;1.8x3.2mm		PC11L	2201-000601	C-CERAMIC,DISC;560pF,10%,50V,Y5P,TP;5x3	
PR6R	2001-000515	R-CARBON;220ohm,5%,1/8W,AA,TP;1.8x3.2mm		PC27	2201-000601	C-CERAMIC,DISC;560pF,10%,50V,Y5P,TP;5x3	
PR7L	2001-000515	R-CARBON;220ohm,5%,1/8W,AA,TP;1.8x3.2mm		PC11R	2201-000601	C-CERAMIC,DISC;560pF,10%,50V,Y5P,TP;5x3	

Location no.	Code no.	Description & Specification	Remarks
PC101	2201-000783	C-CERAMIC,DISC,100nF,+80%, -20%,50V,Y5V,-	
PC102	2201-000783	C-CERAMIC,DISC,100nF,+80%, -20%,50V,Y5V,-	
PC116	2201-000783	C-CERAMIC,DISC,100nF,+80%, -20%,50V,Y5V,-	
PC112	2201-000783	C-CERAMIC,DISC,100nF,+80%, -20%,50V,Y5V,-	
V8	2201-000783	C-CERAMIC,DISC,100nF,+80%, -20%,50V,Y5V,-	
PC67	2201-000783	C-CERAMIC,DISC,100nF,+80%, -20%,50V,Y5V,-	
PC30	2301-000302	C-FILM,PEF,680nF,10%,100V,-,-,-	
PC17	2301-000370	C-FILM,PEF,1.8nF,10%,50V,TP,5.5X7X2.8M,5	
PC23	2301-000370	C-FILM,PEF,1.8nF,10%,50V,TP,5.5X7X2.8M,5	
PC12	2301-000375	C-FILM,PEF,100nF,5%,50V,TP,11x12.5x6.5,7	
PC19	2301-000375	C-FILM,PEF,100nF,5%,50V,TP,11x12.5x6.5,7	
PC20	2301-000375	C-FILM,PEF,100nF,5%,50V,TP,11x12.5x6.5,7	
PC24	2301-000375	C-FILM,PEF,100nF,5%,50V,TP,11x12.5x6.5,7	
PC25	2301-000375	C-FILM,PEF,100nF,5%,50V,TP,11x12.5x6.5,7	
PC26	2301-000375	C-FILM,PEF,100nF,5%,50V,TP,11x12.5x6.5,7	
PC37	2301-000375	C-FILM,PEF,100nF,5%,50V,TP,11x12.5x6.5,7	
PC40	2301-000375	C-FILM,PEF,100nF,5%,50V,TP,11x12.5x6.5,7	
PC41	2301-000375	C-FILM,PEF,100nF,5%,50V,TP,11x12.5x6.5,7	
PC46	2301-000375	C-FILM,PEF,100nF,5%,50V,TP,11x12.5x6.5,7	
PC47	2301-000375	C-FILM,PEF,100nF,5%,50V,TP,11x12.5x6.5,7	
PC48	2301-000375	C-FILM,PEF,100nF,5%,50V,TP,11x12.5x6.5,7	
PC50	2301-000375	C-FILM,PEF,100nF,5%,50V,TP,11x12.5x6.5,7	
PC51	2301-000375	C-FILM,PEF,100nF,5%,50V,TP,11x12.5x6.5,7	
PC16	2301-000379	C-FILM,PEF,10nF,10%,50V,TP,6X7X3.2MM,5MM	
PC22	2301-000379	C-FILM,PEF,10nF,10%,50V,TP,6X7X3.2MM,5MM	
PC6L	2301-000390	C-FILM,PEF,15nF,10%,50V,TP,6.5X9X3.5MM,5	
PC6R	2301-000390	C-FILM,PEF,15nF,10%,50V,TP,6.5X9X3.5MM,5	
MC6L	2301-000393	C-FILM,PEF,18nF,10%,50V,TP,6.5X12.5X3.5M	
MC6R	2301-000393	C-FILM,PEF,18nF,10%,50V,TP,6.5X12.5X3.5M	
PC106	2301-000393	C-FILM,PEF,18nF,10%,50V,TP,6.5X12.5X3.5M	
MC9L	2301-000400	C-FILM,PEF,1nF,10%,50V,TP,5X7X2.8MM,5MM	
MC9R	2301-000400	C-FILM,PEF,1nF,10%,50V,TP,5X7X2.8MM,5MM	
PC108	2301-000404	C-FILM,PEF,2.2nF,10%,50V,TP,5.5X7X3.2MM,	
PC109	2301-000404	C-FILM,PEF,2.2nF,10%,50V,TP,5.5X7X3.2MM,	
PC31	2301-000411	C-FILM,PEF,220nF,5%,50V,BK,-,-	
PC32	2301-000411	C-FILM,PEF,220nF,5%,50V,BK,-,-	
PC35	2301-000411	C-FILM,PEF,220nF,5%,50V,BK,-,-	
PC36	2301-000411	C-FILM,PEF,220nF,5%,50V,BK,-,-	
PC42	2301-000412	C-FILM,PEF,22nF,10%,50V,TP,6.5X10.5X4MM,	
PC43	2301-000412	C-FILM,PEF,22nF,10%,50V,TP,6.5X10.5X4MM,	
MC7L	2301-000442	C-FILM,PEF,4.7nF,10%,50V,TP,5.5x7x3mm,5m	
MC7R	2301-000442	C-FILM,PEF,4.7nF,10%,50V,TP,5.5x7x3mm,5m	
PC7R	2301-000442	C-FILM,PEF,4.7nF,10%,50V,TP,5.5x7x3mm,5m	
PC29	2301-000449	C-FILM,PEF,47nF,10%,50V,TP,8X11X4.5MM,5M	
PC38	2301-000449	C-FILM,PEF,47nF,10%,50V,TP,8X11X4.5MM,5M	
PC39	2301-000449	C-FILM,PEF,47nF,10%,50V,TP,8X11X4.5MM,5M	
PC28	2301-000454	C-FILM,PEF,5.6nF,10%,50V,TP,6X12X3.3,5MM	
PC55	2301-000475	C-FILM,PEF,8.2nF,10%,50V,TP,6X12X3.3,5MM	
PC18	2301-000469	C-FILM,PEF,68nF,10%,50V,TP,9X12X4.5MM,5M	
PC21	2301-000469	C-FILM,PEF,68nF,10%,50V,TP,9X12X4.5MM,5M	
PC107	2301-000476	C-FILM,PEF,82nF,10%,50V,TP,10.5X12.5X6.7	
PC15	2305-000224	C-FILM,MPEF,1uF,10%,63V,TP,7.2x6x11.5	
PC103	2401-000303	C-AL,100uF,20%,25V,GP,TP,6.3x11.2,5	
PC10	2401-000419	C-AL,100uF,20%,16V,GP, 4X7.5	
PC11	2401-000419	C-AL,100uF,20%,16V,GP, 4X7.5	
PC54	2401-000419	C-AL,100uF,20%,16V,GP, 4X7.5	
PC8L	2401-000419	C-AL,100uF,20%,16V,GP, 4X7.5	
PC8R	2401-000419	C-AL,100uF,20%,16V,GP, 4X7.5	
PC9L	2401-000419	C-AL,100uF,20%,16V,GP, 4X7.5	
PC9R	2401-000419	C-AL,100uF,20%,16V,GP, 4X7.5	
VC4	2401-000419	C-AL,100uF,20%,16V,GP, 4X7.5	
VC5	2401-000419	C-AL,100uF,20%,16V,GP, 4X7.5	
VC6	2401-000419	C-AL,100uF,20%,16V,GP, 4X7.5	
VC7	2401-000419	C-AL,100uF,20%,16V,GP, 4X7.5	
PC110	2401-000438	C-AL,100uF,20%,25V,GP,5X11.2MM	
MC8L	2401-000650	C-AL,2.2uF,20%,50V,GP,BK,3x5,1mm	
MC8R	2401-000650	C-AL,2.2uF,20%,50V,GP,BK,3x5,1mm	
PC5L	2401-000649	C-AL,2.2uF,20%,50V,NP,BK,3x5,1mm	
PC5R	2401-000649	C-AL,2.2uF,20%,50V,NP,BK,3x5,1mm	
MC2L	2401-000778	C-AL,220uF,20%,10V,GP, 6.3x11.2,5m	
MC2R	2401-000778	C-AL,220uF,20%,10V,GP, 6.3x11.2,5m	
VC1	2401-001355	C-AL,470uF,20%,10V,GP, 8x11.5,5mm	
VC2	2401-001355	C-AL,470uF,20%,10V,GP, 8x11.5,5mm	
PC1	2401-001538	C-AL,47uF,20%,25V,GP, 6X11.2,5MM	
VC3	2401-001511	C-AL,47uF,20%,16V,GP, 6x7.5	
MC10L	2401-001538	C-AL,47uF,20%,25V,GP, 6X11.2,5MM	
MC10R	2401-001538	C-AL,47uF,20%,25V,GP, 6X11.2,5MM	
PC66	2401-001538	C-AL,47uF,20%,25V,GP, 6X11.2,5MM	
PC101	2401-001538	C-AL,47uF,20%,25V,GP, 6X11.2,5MM	
PC113	2401-001538	C-AL,47uF,20%,25V,GP, 6X11.2,5MM	
PC2	2401-001538	C-AL,47uF,20%,25V,GP, 6X11.2,5MM	
PC52	2401-001538	C-AL,47uF,20%,25V,GP, 6X11.2,5MM	
PC57	2401-001538	C-AL,47uF,20%,25V,GP, 6X11.2,5MM	
PC9	2401-001538	C-AL,47uF,20%,25V,GP, 6X11.2,5MM	
PC68	2401-001538	C-AL,47uF,20%,25V,GP, 6X11.2,5MM	
PC65	2401-001895	C-AL,100uF,20%,16V,GP,BK,6.3x11mm,2	
PC102	2401-001895	C-AL,100uF,20%,16V,GP,BK,6.3x11mm,2	
PC13	2401-001895	C-AL,100uF,20%,16V,GP,BK,6.3x11mm,2	
PC56	2401-001895	C-AL,100uF,20%,16V,GP,BK,6.3x11mm,2	
PC63	2401-001895	C-AL,100uF,20%,16V,GP,BK,6.3x11mm,2	
PC14	2401-001938	C-AL,22uF,20%,25V,GP,BK,5X11MM,2MM	
MC1L	2401-001954	C-AL,4.7uF,20%,50V,GP,BK,5x11mm,5	

Location no.	Code no.	Description & Specification	Remarks
MC1R	2401-001954	C-AL,4.7uF,20%,50V,GP,BK,5x11mm,5	
PC12L	2401-001954	C-AL,4.7uF,20%,50V,GP,BK,5x11mm,5	
PC12R	2401-001954	C-AL,4.7uF,20%,50V,GP,BK,5x11mm,5	
PC1L	2401-001954	C-AL,4.7uF,20%,50V,GP,BK,5x11mm,5	
PC1R	2401-001954	C-AL,4.7uF,20%,50V,GP,BK,5x11mm,5	
PC2L	2401-001954	C-AL,4.7uF,20%,50V,GP,BK,5x11mm,5	
PC2R	2401-001954	C-AL,4.7uF,20%,50V,GP,BK,5x11mm,5	
PC33	2401-001954	C-AL,4.7uF,20%,50V,GP,BK,5x11mm,5	
PC34	2401-001954	C-AL,4.7uF,20%,50V,GP,BK,5x11mm,5	
PC3L	2401-001954	C-AL,4.7uF,20%,50V,GP,BK,5x11mm,5	
PC3R	2401-001954	C-AL,4.7uF,20%,50V,GP,BK,5x11mm,5	
PC5	2401-001954	C-AL,4.7uF,20%,50V,GP,BK,5x11mm,5	
PC6	2401-001954	C-AL,4.7uF,20%,50V,GP,BK,5x11mm,5	
PC62	2401-001954	C-AL,4.7uF,20%,50V,GP,BK,5x11mm,5	
PC64	2401-001968	C-AL,470nF,20%,50V,GP,TP,5X11MM,5	
PC7	2401-001994	C-AL,3.3UF,20%,50V,BP,TP,5X11MM,5MM	
PC8	2401-001994	C-AL,3.3UF,20%,50V,BP,TP,5X11MM,5MM	

## RZ-7700AV Parts list

AC/SOK	4301-000116	BATTERY,LI,1.5V,500MA,AAA,10.2X44MM,-
	AH26-00040A	TRANS-POWER,EI11X64,-,21P,230V,50HZ,BOBBIN,SA-880A
	AH37-00009A	JACK,-,-,-,BULK,-
	AH39-00150A	POWER-CORD,-,-,2X0.75MM,10/16A,250,1135BS,-,BLACK,2
	AH42-20001L	ANT-LOOP,SI-015-774,18UH,RD
	AH59-10133B	REMOCON-ASSY,-,-,-,31KEY,SA880A,-

## AH92-00298A

AD102	0402-001077	DIODE-BRIDGE;KBP202G,200V,2A,SIP-4	△
AD103	0402-001077	DIODE-BRIDGE;KBP202G,200V,2A,SIP-4	△
AD104	0402-001077	DIODE-BRIDGE;KBP202G,200V,2A,SIP-4	△
AD56	0402-001077	DIODE-BRIDGE;KBP202G,200V,2A,SIP-4	△
AD101	0402-001220	DIODE-BRIDGE;KBP1506GW,600V,15A,SQUARE,4,T	△
AQ11L	0502-000170	TR-POWER,2SC3502-E,NPN,1.2W,TO-126,TP,1	
AQ11R	0502-000170	TR-POWER,2SC3502-E,NPN,1.2W,TO-126,TP,1	
AQ46	0502-000170	TR-POWER,2SC3502-E,NPN,1.2W,TO-126,TP,1	
AQ8L	0502-000208	TR-POWER,2SD1762,NPN,2W,TO-220FPBK,160	
AQ8R	0502-000208	TR-POWER,2SD1762,NPN,2W,TO-220FPBK,160	
AQ9	0502-000208	TR-POWER,2SD1762,NPN,2W,TO-220FPBK,160	
AQ11	0502-000303	TR-POWER,KSD882,NPN,1W,TO-126,TP,160-32	
FQ4	0502-000303	TR-POWER,KSD882,NPN,1W,TO-126,TP,160-32	
AQ6L	0502-001126	TR-POWER,2SD2390,NPN,100W,SC-62,BK,6500	△
AQ6R	0502-001126	TR-POWER,2SD2390,NPN,100W,SC-62,BK,6500	△
AQ7	0502-001126	TR-POWER,2SD2390,NPN,100W,SC-62,BK,6500	△
AQ7L	0502-001127	TR-POWER,2SB1560,PNP,100W,SC-62,BK,1500	△
AQ7R	0502-001127	TR-POWER,2SB1560,PNP,100W,SC-62,BK,1500	△
AQ8	0502-001127	TR-POWER,2SB1560,PNP,100W,SC-62,BK,1500	△
AQ45	0502-001128	TR-POWER,2SA1380,PNP,5W,TO-126,TR,100-2	
AQ5L	0502-001128	TR-POWER,2SA1380,PNP,5W,TO-126,TR,100-2	
AQ5R	0502-001128	TR-POWER,2SA1380,PNP,5W,TO-126,TR,100-2	
AIC1	1201-001316	IC-POWER AMP,4231,SIP,22P,-,SINGLE,40dB	
AIC3	1203-000110	IC-NEGA,FIXED REG,-7912,TO-220,3P,-,PLASTIC,11.5/	△
AIC2	1203-000242	IC-POS,FIXED REG,-7812,TO-220,3P,-,PLASTIC,11.5/	△
AIC4	1203-000242	IC-POS,FIXED REG,-7812,TO-220,3P,-,PLASTIC,11.5/	△
	1203-000276	IC-POS,FIXED REG,-7805,TO-220,3P,-,PLASTIC,4.8/5	△
AIC5	1203-000276	IC-POS,FIXED REG,-7805,TO-220,3P,-,PLASTIC,4.8/5	△
AIC52	1203-000276	IC-POS,FIXED REG,-7805,TO-220,3P,-,PLASTIC,4.8/5	△
AIC51	1203-001543	IC-VOLTAGE REGULATOR,78R33,TO-220,4P,400ML,PLASTIC	△
	13954-100-310	CERAMIC-PIPE,PI1.4 15MM WHIT	
AR44L	2009-001080	R-METAL PLATE:0.22ohm,5%,5W,CL,BK,26x5x1	
AR44R	2009-001080	R-METAL PLATE:0.22ohm,5%,5W,CL,BK,26x5x1	
AR19	2009-001081	R-METAL PLATE:0.22ohm,5%,7W,CL,BK,26x5x2	
AR29L	2009-001081	R-METAL PLATE:0.22ohm,5%,7W,CL,BK,26x5x2	
AR29R	2009-001081	R-METAL PLATE:0.22ohm,5%,7W,CL,BK,26x5x2	
AC12	2401-000230	C-AL,100uF,20%,100V,GP,TP,12.5x20.5	
AC13L	2401-000230	C-AL,100uF,20%,100V,GP,TP,12.5x20.5	
AC13R	2401-000230	C-AL,100uF,20%,100V,GP,TP,12.5x20.5	
AC40	2401-000230	C-AL,100uF,20%,100V,GP,TP,12.5x20.5	
AC46	2401-000230	C-AL,100uF,20%,100V,GP,TP,12.5x20.5	
AC6	2401-000230	C-AL,100uF,20%,100V,GP,TP,12.5x20.5	
AC7L	2401-000230	C-AL,100uF,20%,100V,GP,TP,12.5x20.5	
AC7R	2401-000230	C-AL,100uF,20%,100V,GP,TP,12.5x20.5	
AC316	2401-001052	C-AL,3300uF,20%,25V,GP, 16x31.5,7	△
AC38	2401-001883	C-AL,1000uF,20%,25V,GP,BK,16X25MM,5	△
AC314	2401-001886	C-AL,1000uF,20%,35V,GP,BK,16X25MM,5	△
AC315	2401-001886	C-AL,1000uF,20%,35V,GP,BK,16X25MM,5	△
AC37	2401-001923	C-AL,2200uF,20%,16V,GP,BK,12.5X16MM	△
AC36	2401-001928	C-AL,2200uF,20%,35V,GP,BK,16X31MM,7	△
AC230	2401-000369	C-AL,1000uF,20%,80V,GP,BK,35x50,10	△
AC29	2401-000369	C-AL,1000uF,20%,80V,GP,BK,35x50,10	△
RELAY3	3501-001131	RELAY-POWER;12Vdc,-5A,-,15mS,5mS	
RELAY4	3501-001131	RELAY-POWER;12Vdc,-5A,-,15mS,5mS	
RELAY5	3501-001131	RELAY-POWER;12Vdc,-5A,-,15mS,5mS	
RELAY6	3501-001131	RELAY-POWER;12Vdc,-5A,-,15mS,5mS	
ACW5	3711-000596	CONNECTOR-HEADER;BOX,10P,1R,2mm,STRAIGHT,SN	
ACW7	3711-000666	CONNECTOR-HEADER;BOX,12P,1R,2mm,STRAIGHT,SN	
ACW4	3711-000724	CONNECTOR-HEADER;BOX,15P,1R,2mm,STRAIGHT,SN	
ACW8	3711-000724	CONNECTOR-HEADER;BOX,15P,1R,2mm,STRAIGHT,SN	
ACW13	3711-000820	CONNECTOR-HEADER;BOX,2P,1R,2.5mm,STRAIGHT,SN	
ACW6	3711-000820	CONNECTOR-HEADER;BOX,2P,1R,2.5mm,STRAIGHT,SN	
ACW3	3711-001062	CONNECTOR-HEADER;BOX,6P,1R,2mm,STRAIGHT,SN	
ACW20	3711-001098	CONNECTOR-HEADER;BOX,7P,1R,2.5mm,STRAIGHT,SN	

Location no.	Code no.	Description & Specification	Remarks	Location no.	Code no.	Description & Specification	Remarks
ACW19	3711-001487	CONNECTOR-HEADER,NOWALL,3P,1R,8mm,STRAIGHT,SN		AQ3	0501-002188	TR-SMALL SIGNAL;KSA992,PNP,500mW,TO-92,TP,300-	
	3711-003112	CONNECTOR-HEADER,BOX,8P,1R,2.5MM,STRAIGHT,SN		AQ3L	0501-002188	TR-SMALL SIGNAL;KSA992,PNP,500mW,TO-92,TP,300-	
AJ1C	3716-001094	TERMINAL-BLOCK,SOLDER,4P,19mm,-,-		AQ3R	0501-002188	TR-SMALL SIGNAL;KSA992,PNP,500mW,TO-92,TP,300-	
AJ1F	3716-001094	TERMINAL-BLOCK,SOLDER,4P,19mm,-,-		AQ4	0501-002188	TR-SMALL SIGNAL;KSA992,PNP,500mW,TO-92,TP,300-	
AJ1S	3716-001094	TERMINAL-BLOCK,SOLDER,4P,19mm,-,-		AQ44	0501-002188	TR-SMALL SIGNAL;KSA992,PNP,500mW,TO-92,TP,300-	
AJ2F	3716-001094	TERMINAL-BLOCK,SOLDER,4P,19mm,-,-		AQ4L	0501-002188	TR-SMALL SIGNAL;KSA992,PNP,500mW,TO-92,TP,300-	
HJK1	3722-000363	JACK-PHONE,9P,6.4MM,AU,BLK,-		AQ4R	0501-002188	TR-SMALL SIGNAL;KSA992,PNP,500mW,TO-92,TP,300-	
-	AH27-92001E	COIL-SPRING;SSKS-17,1.7uH,10X5.7X4,-,-		AQ9L	0501-002188	TR-SMALL SIGNAL;KSA992,PNP,500mW,TO-92,TP,300-	
AL1	AH27-92001E	COIL-SPRING;SSKS-17,1.7uH,10X5.7X4,-,-		AQ9R	0501-002188	TR-SMALL SIGNAL;KSA992,PNP,500mW,TO-92,TP,300-	
AL12	AH27-92001E	COIL-SPRING;SSKS-17,1.7uH,10X5.7X4,-,-		FR5	2001-000005	R-CARBON;390ohm,5%,1/8W,AA,TP,1.8X3.2MM	
AL13	AH27-92001E	COIL-SPRING;SSKS-17,1.7uH,10X5.7X4,-,-		AR41	2001-000008	R-CARBON;15KOHM,5%,1/8W,AA,TP,1.8X3.2MM	
AL14	AH27-92001E	COIL-SPRING;SSKS-17,1.7uH,10X5.7X4,-,-		AR47	2001-000008	R-CARBON;15KOHM,5%,1/8W,AA,TP,1.8X3.2MM	
AL15	AH27-92001E	COIL-SPRING;SSKS-17,1.7uH,10X5.7X4,-,-		AR8	2001-000008	R-CARBON;15KOHM,5%,1/8W,AA,TP,1.8X3.2MM	
AL1L	AH27-92001E	COIL-SPRING;SSKS-17,1.7uH,10X5.7X4,-,-		-	2001-000110	R-CARBON;10OHM,5%,1/4W,AA,TP,2.4X6.4MM	
AL1R	AH27-92001E	COIL-SPRING;SSKS-17,1.7uH,10X5.7X4,-,-		AR20	2001-000110	R-CARBON;10OHM,5%,1/4W,AA,TP,2.4X6.4MM	
AL21	AH27-92001E	COIL-SPRING;SSKS-17,1.7uH,10X5.7X4,-,-		AR32L	2001-000110	R-CARBON;10OHM,5%,1/4W,AA,TP,2.4X6.4MM	
AL2R	AH27-92001E	COIL-SPRING;SSKS-17,1.7uH,10X5.7X4,-,-		AR32R	2001-000110	R-CARBON;10OHM,5%,1/4W,AA,TP,2.4X6.4MM	
FAN	AH31-12006A	MOTOR-DC-FAN,DO825A-12M,12V DC,0.17A,-		AR48R	2001-000110	R-CARBON;10OHM,5%,1/4W,AA,TP,2.4X6.4MM	
CJK1	AH37-22001G	JACK-PIN,3.7MM,S-436P-01,3P,BULK,-		AR20L	2001-000221	R-CARBON;1.2KOHM,5%,1/8W,AA,TP,1.8X3.2MM	
ACW17	AH39-00132A	LEAD-CONNECTOR ASSY,-,-,SA-880A,SA-880A-6P,-,150MM,-,51004		AR20R	2001-000221	R-CARBON;1.2KOHM,5%,1/8W,AA,TP,1.8X3.2MM	
ACW16	AH39-20561D	LEAD CONNECTOR-ASSY,-,5264,51088,2P,150MM,1007#28		AR27	2001-000221	R-CARBON;1.2KOHM,5%,1/8W,AA,TP,1.8X3.2MM	
ACW12	AH39-20561F	LEAD CONNECTOR-ASSY,-,51004,35023,8P,180MM,1007#28		AR2L	2001-000273	R-CARBON;100KOHM,5%,1/8W,AA,TP,1.8X3.2MM	
ACW14	AH39-20561H	LEAD CONNECTOR-ASSY,-,51004,35023,15P,150MM,1007#2		AR2R	2001-000273	R-CARBON;100KOHM,5%,1/8W,AA,TP,1.8X3.2MM	
ACW15	AH39-20561I	LEAD CONNECTOR-ASSY,-,51004,35023,15P,150MM,1007#2		AR42	2001-000273	R-CARBON;100KOHM,5%,1/8W,AA,TP,1.8X3.2MM	
-	AH62-10024A	INSULATION;-INSULATING,-,TO.3,-,SA-880A		AR51	2001-000273	R-CARBON;100KOHM,5%,1/8W,AA,TP,1.8X3.2MM	
IN/RUB	AH62-10024A	INSULATION;-INSULATING,-,TO.3,-,SA-880A		AR55	2001-000273	R-CARBON;100KOHM,5%,1/8W,AA,TP,1.8X3.2MM	
-	AH62-30061A	HEAT SINK-S,AL,EXTR,WHT,40H,AV330R,-,-,-		AR11L	2001-000281	R-CARBON;100OHM,5%,1/8W,AA,TP,1.8X3.2MM	
H/SINK	AH62-30061A	HEAT SINK-S,AL,EXTR,WHT,40H,AV330R,-,-,-		AR11R	2001-000281	R-CARBON;100OHM,5%,1/8W,AA,TP,1.8X3.2MM	
H/SINK	AH62-32005A	HEAT SINK-M,-,ALS,-,-,-,-,SA-880A		AR13	2001-000281	R-CARBON;100OHM,5%,1/8W,AA,TP,1.8X3.2MM	
HEAT	AH62-32012A	HEAT SINK-TR;-AL,EXTR,-,-,-,-,SA870P/880		AR17L	2001-000281	R-CARBON;100OHM,5%,1/8W,AA,TP,1.8X3.2MM	
SINK	AH62-32012A	HEAT SINK-TR;-AL,EXTR,-,-,-,-,SA870P/880		AR17R	2001-000281	R-CARBON;100OHM,5%,1/8W,AA,TP,1.8X3.2MM	
AD1	0401-000101	DIODE-SWITCHING;IN4148,100V,200mA,DO-35,TP		AR18L	2001-000281	R-CARBON;100OHM,5%,1/8W,AA,TP,1.8X3.2MM	
AD16	0401-000101	DIODE-SWITCHING;IN4148,100V,200mA,DO-35,TP		AR18R	2001-000281	R-CARBON;100OHM,5%,1/8W,AA,TP,1.8X3.2MM	
AD17	0401-000101	DIODE-SWITCHING;IN4148,100V,200mA,DO-35,TP		AR3	2001-000281	R-CARBON;100OHM,5%,1/8W,AA,TP,1.8X3.2MM	
AD1L	0401-000101	DIODE-SWITCHING;IN4148,100V,200mA,DO-35,TP		AR31	2001-000281	R-CARBON;100OHM,5%,1/8W,AA,TP,1.8X3.2MM	
AD1R	0401-000101	DIODE-SWITCHING;IN4148,100V,200mA,DO-35,TP		AR32	2001-000281	R-CARBON;100OHM,5%,1/8W,AA,TP,1.8X3.2MM	
AD2	0401-000101	DIODE-SWITCHING;IN4148,100V,200mA,DO-35,TP		AR36L	2001-000281	R-CARBON;100OHM,5%,1/8W,AA,TP,1.8X3.2MM	
AD201	0401-000101	DIODE-SWITCHING;IN4148,100V,200mA,DO-35,TP		AR36R	2001-000281	R-CARBON;100OHM,5%,1/8W,AA,TP,1.8X3.2MM	
AD202	0401-000101	DIODE-SWITCHING;IN4148,100V,200mA,DO-35,TP		AR4L	2001-000281	R-CARBON;100OHM,5%,1/8W,AA,TP,1.8X3.2MM	
AD203	0401-000101	DIODE-SWITCHING;IN4148,100V,200mA,DO-35,TP		AR4R	2001-000281	R-CARBON;100OHM,5%,1/8W,AA,TP,1.8X3.2MM	
AD204	0401-000101	DIODE-SWITCHING;IN4148,100V,200mA,DO-35,TP		AR64	2001-000281	R-CARBON;100OHM,5%,1/8W,AA,TP,1.8X3.2MM	
AD205	0401-000101	DIODE-SWITCHING;IN4148,100V,200mA,DO-35,TP		AR66	2001-000281	R-CARBON;100OHM,5%,1/8W,AA,TP,1.8X3.2MM	
AD206	0401-000101	DIODE-SWITCHING;IN4148,100V,200mA,DO-35,TP		AR7	2001-000281	R-CARBON;100OHM,5%,1/8W,AA,TP,1.8X3.2MM	
AD2L	0401-000101	DIODE-SWITCHING;IN4148,100V,200mA,DO-35,TP		AR9L	2001-000281	R-CARBON;100OHM,5%,1/8W,AA,TP,1.8X3.2MM	
AD2R	0401-000101	DIODE-SWITCHING;IN4148,100V,200mA,DO-35,TP		AR9R	2001-000281	R-CARBON;100OHM,5%,1/8W,AA,TP,1.8X3.2MM	
AD3	0401-000101	DIODE-SWITCHING;IN4148,100V,200mA,DO-35,TP		AR35	2001-000290	R-CARBON;10KOHM,5%,1/8W,AA,TP,1.8X3.2MM	
AD32	0401-000101	DIODE-SWITCHING;IN4148,100V,200mA,DO-35,TP		AR38	2001-000290	R-CARBON;10KOHM,5%,1/8W,AA,TP,1.8X3.2MM	
AD4	0401-000101	DIODE-SWITCHING;IN4148,100V,200mA,DO-35,TP		AR39	2001-000290	R-CARBON;10KOHM,5%,1/8W,AA,TP,1.8X3.2MM	
AD4L	0401-000101	DIODE-SWITCHING;IN4148,100V,200mA,DO-35,TP		FR6	2001-000290	R-CARBON;10KOHM,5%,1/8W,AA,TP,1.8X3.2MM	
AD4R	0401-000101	DIODE-SWITCHING;IN4148,100V,200mA,DO-35,TP		FR7	2001-000290	R-CARBON;10KOHM,5%,1/8W,AA,TP,1.8X3.2MM	
AD57	0401-000101	DIODE-SWITCHING;IN4148,100V,200mA,DO-35,TP		FR8	2001-000290	R-CARBON;10KOHM,5%,1/8W,AA,TP,1.8X3.2MM	
AD58	0401-000101	DIODE-SWITCHING;IN4148,100V,200mA,DO-35,TP		AR10L	2001-000302	R-CARBON;100OHM,5%,1/8W,AA,TP,1.8X3.2MM	
AD6	0401-000101	DIODE-SWITCHING;IN4148,100V,200mA,DO-35,TP		AR10R	2001-000302	R-CARBON;100OHM,5%,1/8W,AA,TP,1.8X3.2MM	
AD7L	0401-000101	DIODE-SWITCHING;IN4148,100V,200mA,DO-35,TP		AR11	2001-000302	R-CARBON;100OHM,5%,1/8W,AA,TP,1.8X3.2MM	
AD7R	0401-000101	DIODE-SWITCHING;IN4148,100V,200mA,DO-35,TP		AR47	2001-000331	R-CARBON;12KOHM,5%,1/8W,AA,TP,1.8X3.2MM	
AD105	0402-000127	DIODE-RECTIFIER;IN4002,100V,1A,DO-41,TP		AR310	2001-000356	R-CARBON;150KOHM,5%,1/8W,AA,TP,1.8X3.2MM	
AD106	0402-000127	DIODE-RECTIFIER;IN4002,100V,1A,DO-41,TP		AR501	2001-000356	R-CARBON;150KOHM,5%,1/8W,AA,TP,1.8X3.2MM	
AD28	0402-000127	DIODE-RECTIFIER;IN4002,100V,1A,DO-41,TP		AR19L	2001-000405	R-CARBON;180OHM,5%,1/8W,AA,TP,1.8X3.2MM	
AD29	0402-000127	DIODE-RECTIFIER;IN4002,100V,1A,DO-41,TP		AR19R	2001-000405	R-CARBON;180OHM,5%,1/8W,AA,TP,1.8X3.2MM	
AD30	0402-000127	DIODE-RECTIFIER;IN4002,100V,1A,DO-41,TP		AR33	2001-000405	R-CARBON;180OHM,5%,1/8W,AA,TP,1.8X3.2MM	
AD31	0402-000127	DIODE-RECTIFIER;IN4002,100V,1A,DO-41,TP		AR1	2001-000429	R-CARBON;1KOHM,5%,1/8W,AA,TP,1.8X3.2MM	
AD59	0402-000127	DIODE-RECTIFIER;IN4002,100V,1A,DO-41,TP		AR15L	2001-000429	R-CARBON;1KOHM,5%,1/8W,AA,TP,1.8X3.2MM	
AD6L	0402-000127	DIODE-RECTIFIER;IN4002,100V,1A,DO-41,TP		AR15R	2001-000429	R-CARBON;1KOHM,5%,1/8W,AA,TP,1.8X3.2MM	
AD6R	0402-000127	DIODE-RECTIFIER;IN4002,100V,1A,DO-41,TP		AR16L	2001-000429	R-CARBON;1KOHM,5%,1/8W,AA,TP,1.8X3.2MM	
AD8L	0402-000127	DIODE-RECTIFIER;IN4002,100V,1A,DO-41,TP		AR16R	2001-000429	R-CARBON;1KOHM,5%,1/8W,AA,TP,1.8X3.2MM	
AD8R	0402-000127	DIODE-RECTIFIER;IN4002,100V,1A,DO-41,TP		AR1L	2001-000429	R-CARBON;1KOHM,5%,1/8W,AA,TP,1.8X3.2MM	
AD9L	0402-000127	DIODE-RECTIFIER;IN4002,100V,1A,DO-41,TP		AR1R	2001-000429	R-CARBON;1KOHM,5%,1/8W,AA,TP,1.8X3.2MM	
AD9R	0402-000127	DIODE-RECTIFIER;IN4002,100V,1A,DO-41,TP		AR2	2001-000429	R-CARBON;1KOHM,5%,1/8W,AA,TP,1.8X3.2MM	
AD57	0402-000151	DIODE-RECTIFIER;IN5392,100V,1.5A,DO-15,TP		AR30	2001-000429	R-CARBON;1KOHM,5%,1/8W,AA,TP,1.8X3.2MM	
AD24	0403-000379	DIODE-ZENER;UZP12B,12V,11.4-12.6V,1W,DO-41		AR34L	2001-000429	R-CARBON;1KOHM,5%,1/8W,AA,TP,1.8X3.2MM	
AD25	0403-000379	DIODE-ZENER;UZP12B,12V,11.4-12.6V,1W,DO-41		AR34R	2001-000429	R-CARBON;1KOHM,5%,1/8W,AA,TP,1.8X3.2MM	
FQ1	0501-000010	TR-SMALL SIGNAL;KSC1008,NPN,800mW,TO-92,TP,120		AR35L	2001-000429	R-CARBON;1KOHM,5%,1/8W,AA,TP,1.8X3.2MM	
FQ2	0501-000010	TR-SMALL SIGNAL;KSC1008,NPN,800mW,TO-92,TP,120		AR35R	2001-000429	R-CARBON;1KOHM,5%,1/8W,AA,TP,1.8X3.2MM	
AQ12	0501-000303	TR-SMALL SIGNAL;KSA733,PNP,250mW,TO-92,TP,120-		AR37L	2001-000429	R-CARBON;1KOHM,5%,1/8W,AA,TP,1.8X3.2MM	
FQ3	0501-000303	TR-SMALL SIGNAL;KSA733,PNP,250mW,TO-92,TP,120-		AR37R	2001-000429	R-CARBON;1KOHM,5%,1/8W,AA,TP,1.8X3.2MM	
AQ10	0501-000331	TR-SMALL SIGNAL;KSC1009-Y,NPN,800mW,TO-92,-,12		AR38L	2001-000429	R-CARBON;1KOHM,5%,1/8W,AA,TP,1.8X3.2MM	
AQ12L	0501-000331	TR-SMALL SIGNAL;KSC1009-Y,NPN,800mW,TO-92,-,12		AR38R	2001-000429	R-CARBON;1KOHM,5%,1/8W,AA,TP,1.8X3.2MM	
AQ12R	0501-000331	TR-SMALL SIGNAL;KSC1009-Y,NPN,800mW,TO-92,-,12		AR3L	2001-000429	R-CARBON;1KOHM,5%,1/8W,AA,TP,1.8X3.2MM	
AQ15L	0501-000331	TR-SMALL SIGNAL;KSC1009-Y,NPN,800mW,TO-92,-,12		AR3R	2001-000429	R-CARBON;1KOHM,5%,1/8W,AA,TP,1.8X3.2MM	
AQ15R	0501-000331	TR-SMALL SIGNAL;KSC1009-Y,NPN,800mW,TO-92,-,12		AR4	2001-000429	R-CARBON;1KOHM,5%,1/8W,AA,TP,1.8X3.2MM	
AQ10L	0501-000354	TR-SMALL SIGNAL;KSC1845-F,NPN,500mW,TO-92,TP,3		AR40R	2001-000429	R-CARBON;1KOHM,5%,1/8W,AA,TP,1.8X3.2MM	
AQ5	0501-000354	TR-SMALL SIGNAL;KSC1845-F,NPN,500mW,TO-92,TP,3		AR41L	2001-000429	R-CARBON;1KOHM,5%,1/8W,AA,TP,1.8X3.2MM	
AQ1	0501-000407	TR-SMALL SIGNAL;KSD471A-Y,NPN,800mW,TO-92,-,12		AR49	2001-000429	R-CARBON;1KOHM,5%,1/8W,AA,TP,1.8X3.2MM	
AQ13L	0501-000407	TR-SMALL SIGNAL;KSD471A-Y,NPN,800mW,TO-92,-,12		AR5	2001-000429	R-CARBON;1KOHM,5%,1/8W,AA,TP,1.8X3.2MM	
AQ13R	0501-000407	TR-SMALL SIGNAL;KSD471A-Y,NPN,800mW,TO-92,-,12		AR5L	2001-000429	R-CARBON;1KOHM,5%,1/8W,AA,TP,1.8X3.2MM	
AQ14L	0501-000407	TR-SMALL SIGNAL;KSD471A-Y,NPN,800mW,TO-92,-,12		AR5R	2001-000429	R-CARBON;1KOHM,5%,1/8W,AA,TP,1.8X3.2MM	
AQ14R	0501-000407	TR-SMALL SIGNAL;KSD471A-Y,NPN,800mW,TO-92,-,12		AR6L	2001-000429	R-CARBON;1KOHM,5%,1/8W,AA,TP,1.8X3.2MM	
AQ1L	0501-000407	TR-SMALL SIGNAL;KSD471A-Y,NPN,800mW,TO-92,-,12		AR6R	2001-000429	R-CARBON;1KOHM,5%,1/8W,AA,TP,1.8X3.2MM	
AQ1R	0501-000407	TR-SMALL SIGNAL;KSD471A-Y,NPN,800mW,TO-92,-,12		AR14L	2001-000449	R-CARBON;2.2KOHM,5%,1/8W,AA,TP,1.8X3.2MM	
AQ2	0501-000407	TR-SMALL SIGNAL;KSD471					

Location no.	Code no.	Description & Specification	Remarks	Location no.	Code no.	Description & Specification	Remarks
AR45L	2001-000449	R-CARBON:2.2KOHM,5%,1/8W,AA,TP,1.8X3.2MM		AC6R	2201-000389	C-CERAMIC,DISC:0.022nF,5%,50V,NP0,TP,5x3,5	
AR45R	2001-000449	R-CARBON:2.2KOHM,5%,1/8W,AA,TP,1.8X3.2MM		AC12L	2201-000476	C-CERAMIC,DISC:0.033nF,10%,500V,SL,TP,5.5x3,5	
AR50	2001-000449	R-CARBON:2.2KOHM,5%,1/8W,AA,TP,1.8X3.2MM		AC12R	2201-000476	C-CERAMIC,DISC:0.033nF,10%,500V,SL,TP,5.5x3,5	
AR21L	2001-000472	R-CARBON:2.7KOHM,5%,1/8W,AA,TP,1.8X3.2MM		AC59	2201-000476	C-CERAMIC,DISC:0.033nF,10%,500V,SL,TP,5.5x3,5	
AR21R	2001-000472	R-CARBON:2.7KOHM,5%,1/8W,AA,TP,1.8X3.2MM		AC320	2201-000547	C-CERAMIC,DISC:4.7nF,20%,500V,YST,TP,14x3,5	
AR48	2001-000472	R-CARBON:2.7KOHM,5%,1/8W,AA,TP,1.8X3.2MM		AC321	2201-000547	C-CERAMIC,DISC:4.7nF,20%,500V,YST,TP,14x3,5	
AR63	2001-000527	R-CARBON:2.2KOHM,5%,1/8W,AA,TP,1.8X3.2MM		AC322	2201-000547	C-CERAMIC,DISC:4.7nF,20%,500V,YST,TP,14x3,5	
AR65	2001-000527	R-CARBON:2.2KOHM,5%,1/8W,AA,TP,1.8X3.2MM		AC323	2201-000547	C-CERAMIC,DISC:4.7nF,20%,500V,YST,TP,14x3,5	
AR36	2001-000554	R-CARBON:2.70KOHM,5%,1/8W,AA,TP,1.8X3.2MM		AC324	2201-000547	C-CERAMIC,DISC:4.7nF,20%,500V,YST,TP,14x3,5	
FR1	2001-000613	R-CARBON:3.9KOHM,5%,1/8W,AA,TP,1.8X3.2MM		AC330	2201-000547	C-CERAMIC,DISC:4.7nF,20%,500V,YST,TP,14x3,5	
FR2	2001-000613	R-CARBON:3.9KOHM,5%,1/8W,AA,TP,1.8X3.2MM		AC331	2201-000547	C-CERAMIC,DISC:4.7nF,20%,500V,YST,TP,14x3,5	
AR301	2001-000645	R-CARBON:3.30KOHM,5%,1/8W,AA,TP,1.8X3.2MM		AC340	2201-000547	C-CERAMIC,DISC:4.7nF,20%,500V,YST,TP,14x3,5	
AR302	2001-000645	R-CARBON:3.30KOHM,5%,1/8W,AA,TP,1.8X3.2MM		AC342	2201-000547	C-CERAMIC,DISC:4.7nF,20%,500V,YST,TP,14x3,5	
AR303	2001-000645	R-CARBON:3.30KOHM,5%,1/8W,AA,TP,1.8X3.2MM		EMC10	2201-000547	C-CERAMIC,DISC:4.7nF,20%,500V,YST,TP,14x3,5	
AR23L	2001-000660	R-CARBON:3.9KOHM,5%,1/8W,AA,TP,1.8X3.2MM		AC18L	2201-000601	C-CERAMIC,DISC:0.56nF,10%,50V,YSP,TP,4x3mm,5	
AR29	2001-000660	R-CARBON:3.9KOHM,5%,1/8W,AA,TP,1.8X3.2MM		AC18R	2201-000601	C-CERAMIC,DISC:0.56nF,10%,50V,YSP,TP,4x3mm,5	
AR40	2001-000660	R-CARBON:3.9KOHM,5%,1/8W,AA,TP,1.8X3.2MM		AC3	2201-000601	C-CERAMIC,DISC:0.56nF,10%,50V,YSP,TP,4x3mm,5	
AR6	2001-000660	R-CARBON:3.9KOHM,5%,1/8W,AA,TP,1.8X3.2MM		AC3L	2201-000601	C-CERAMIC,DISC:0.56nF,10%,50V,YSP,TP,4x3mm,5	
AR7L	2001-000660	R-CARBON:3.9KOHM,5%,1/8W,AA,TP,1.8X3.2MM		AC3R	2201-000601	C-CERAMIC,DISC:0.56nF,10%,50V,YSP,TP,4x3mm,5	
AR7R	2001-000660	R-CARBON:3.9KOHM,5%,1/8W,AA,TP,1.8X3.2MM		AC21L	2201-000693	C-CERAMIC,DISC:8PF,5%,50V,CH,TP,5X3,5	
FR3	2001-000734	R-CARBON:4.7KOHM,5%,1/8W,AA,TP,1.8X3.2MM		AC21R	2201-000693	C-CERAMIC,DISC:8PF,5%,50V,CH,TP,5X3,5	
AR12	2001-000786	R-CARBON:4.7KOHM,5%,1/8W,AA,TP,1.8X3.2MM		AC328	2202-000780	C-CERAMIC,MLC-AXIAL:100NF,+80-20%,50V,Y5V,3.5X19-	
AR12L	2001-000786	R-CARBON:4.7KOHM,5%,1/8W,AA,TP,1.8X3.2MM		AC329	2202-000780	C-CERAMIC,MLC-AXIAL:100NF,+80-20%,50V,Y5V,3.5X19-	
AR12R	2001-000786	R-CARBON:4.7KOHM,5%,1/8W,AA,TP,1.8X3.2MM		AC335	2202-000780	C-CERAMIC,MLC-AXIAL:100NF,+80-20%,50V,Y5V,3.5X19-	
AR13L	2001-000802	R-CARBON:5.6Kohm,5%,1/8W,AA,TP,1.8x3.2m		EMC1	2202-000780	C-CERAMIC,MLC-AXIAL:100NF,+80-20%,50V,Y5V,3.5X19-	
AR13R	2001-000802	R-CARBON:5.6Kohm,5%,1/8W,AA,TP,1.8x3.2m		EMC2	2202-000780	C-CERAMIC,MLC-AXIAL:100NF,+80-20%,50V,Y5V,3.5X19-	
AR16	2001-000802	R-CARBON:5.6Kohm,5%,1/8W,AA,TP,1.8x3.2m		EMC5	2202-000817	C-CERAMIC,MLC-AXIAL:4.7NF,20%,16V,Y5R,TP,3.5X19-	
AR37	2001-000802	R-CARBON:5.6Kohm,5%,1/8W,AA,TP,1.8x3.2m		EMC6	2202-000817	C-CERAMIC,MLC-AXIAL:4.7NF,20%,16V,Y5R,TP,3.5X19-	
FR4	2001-000802	R-CARBON:5.6Kohm,5%,1/8W,AA,TP,1.8x3.2m		EMC7	2202-000817	C-CERAMIC,MLC-AXIAL:4.7NF,20%,16V,Y5R,TP,3.5X19-	
AR18	2001-000857	R-CARBON:5.60OHM,5%,1/8W,AA,TP,1.8X3.2MM		EMC8	2202-000817	C-CERAMIC,MLC-AXIAL:4.7NF,20%,16V,Y5R,TP,3.5X19-	
AR28L	2001-000857	R-CARBON:5.60OHM,5%,1/8W,AA,TP,1.8X3.2MM		EMC9	2202-000817	C-CERAMIC,MLC-AXIAL:4.7NF,20%,16V,Y5R,TP,3.5X19-	
AR28R	2001-000857	R-CARBON:5.60OHM,5%,1/8W,AA,TP,1.8X3.2MM		AC337	2202-000854	C-CERAMIC,MLC-AXIAL:47NF,30%,50V,Y5R,TP,3.5X1.9-	
AR812	2001-000857	R-CARBON:5.60OHM,5%,1/8W,AA,TP,1.8X3.2MM		AC338	2202-000854	C-CERAMIC,MLC-AXIAL:47NF,30%,50V,Y5R,TP,3.5X1.9-	
AR8L	2001-000857	R-CARBON:5.60OHM,5%,1/8W,AA,TP,1.8X3.2MM		EMC3	2202-000854	C-CERAMIC,MLC-AXIAL:47NF,30%,50V,Y5R,TP,3.5X1.9-	
AR8R	2001-000857	R-CARBON:5.60OHM,5%,1/8W,AA,TP,1.8X3.2MM		EMC4	2202-000854	C-CERAMIC,MLC-AXIAL:47NF,30%,50V,Y5R,TP,3.5X1.9-	
AR9	2001-000857	R-CARBON:5.60OHM,5%,1/8W,AA,TP,1.8X3.2MM		AC5	2301-000400	C-FILM,PEF:1NF,10%,50V,TP,5X7X2.8MM,5MM	
AR39L	2001-000864	R-CARBON:5.6KOHM,5%,1/8W,AA,TP,1.8X3.2MM		AC5L	2301-000400	C-FILM,PEF:1NF,10%,50V,TP,5X7X2.8MM,5MM	
AR39R	2001-000864	R-CARBON:5.6KOHM,5%,1/8W,AA,TP,1.8X3.2MM		AC5R	2301-000400	C-FILM,PEF:1NF,10%,50V,TP,5X7X2.8MM,5MM	
AR41L	2001-000864	R-CARBON:5.6KOHM,5%,1/8W,AA,TP,1.8X3.2MM		AC10	2303-000312	C-FILM,PPF:100nF,5%,63V,TP,7.5x12.5x3.5,5	
AR41R	2001-000864	R-CARBON:5.6KOHM,5%,1/8W,AA,TP,1.8X3.2MM		AC13	2303-000312	C-FILM,PPF:100nF,5%,63V,TP,7.5x12.5x3.5,5	
AR46L	2001-000995	R-CARBON:820OHM,5%,1/8W,AA,TP,1.8X3.2MM		AC15L	2303-000312	C-FILM,PPF:100nF,5%,63V,TP,7.5x12.5x3.5,5	
AR46R	2001-000995	R-CARBON:820OHM,5%,1/8W,AA,TP,1.8X3.2MM		AC15R	2303-000312	C-FILM,PPF:100nF,5%,63V,TP,7.5x12.5x3.5,5	
AR53	2001-000995	R-CARBON:820OHM,5%,1/8W,AA,TP,1.8X3.2MM		AC24L	2303-000312	C-FILM,PPF:100nF,5%,63V,TP,7.5x12.5x3.5,5	
AR23	2001-001000	R-CARBON:8.2KOHM,5%,1/8W,AA,TP,1.8X3.2MM		AC24R	2303-000312	C-FILM,PPF:100nF,5%,63V,TP,7.5x12.5x3.5,5	
AR43	2001-001000	R-CARBON:8.2KOHM,5%,1/8W,AA,TP,1.8X3.2MM		AC4	2401-000303	C-AL:100UF,20%,16V,GP,TP,6.3x11.5	
AR44	2001-001000	R-CARBON:8.2KOHM,5%,1/8W,AA,TP,1.8X3.2MM		AC44	2401-000385	C-AL:10UF,20%,100V,GP,TP,6.3x11.5	
AR45	2001-001000	R-CARBON:8.2KOHM,5%,1/8W,AA,TP,1.8X3.2MM		AC45	2401-000385	C-AL:10UF,20%,100V,GP,TP,6.3x11.5	
AR46	2001-001000	R-CARBON:8.2KOHM,5%,1/8W,AA,TP,1.8X3.2MM		AC1	2401-000419	C-AL:10UF,20%,16V,GP, 4X7,5	
AR42L	2001-001144	R-CARBON(S):4.7KOHM,5%,1/2W,AA,TP,2.4X6.4MM		AC16L	2401-000419	C-AL:10UF,20%,16V,GP, 4X7,5	
AR42R	2001-001144	R-CARBON(S):4.7KOHM,5%,1/2W,AA,TP,2.4X6.4MM		AC16R	2401-000419	C-AL:10UF,20%,16V,GP, 4X7,5	
AR43L	2001-001144	R-CARBON(S):4.7KOHM,5%,1/2W,AA,TP,2.4X6.4MM		AC1L	2401-000419	C-AL:10UF,20%,16V,GP, 4X7,5	
AR43R	2001-001144	R-CARBON(S):4.7KOHM,5%,1/2W,AA,TP,2.4X6.4MM		AC1R	2401-000419	C-AL:10UF,20%,16V,GP, 4X7,5	
AR22	2003-000471	R-METAL OXIDE(S):10ohm,5%,2W,AA,TP,4x12mm		AC2	2401-000419	C-AL:10UF,20%,16V,GP, 4X7,5	
AR31L	2003-000471	R-METAL OXIDE(S):10ohm,5%,2W,AA,TP,4x12mm		AC2L	2401-000419	C-AL:10UF,20%,16V,GP, 4X7,5	
AR31R	2003-000471	R-METAL OXIDE(S):10ohm,5%,2W,AA,TP,4x12mm		AC2R	2401-000419	C-AL:10UF,20%,16V,GP, 4X7,5	
AR47L	2003-000471	R-METAL OXIDE(S):10ohm,5%,2W,AA,TP,4x12mm		AC47	2401-000419	C-AL:10UF,20%,16V,GP, 4X7,5	
AR47R	2003-000471	R-METAL OXIDE(S):10ohm,5%,2W,AA,TP,4x12mm		AC48	2401-000419	C-AL:10UF,20%,16V,GP, 4X7,5	
AR86	2003-000534	R-METAL OXIDE(S):1Kohm,5%,1W,AA,TP,3.3x9mm		AC319	2401-000438	C-AL:10UF,20%,25V,GP, 5X11,2MM	
AR52	2003-000800	R-METAL OXIDE(S):820ohm,5%,2W,AA,TP,4x12mm		AC23L	2401-001324	C-AL:470nF,20%,50V,GP,BK,3x5,1mm	
AR54	2003-000800	R-METAL OXIDE(S):820ohm,5%,2W,AA,TP,4x12mm		AC23R	2401-001324	C-AL:470nF,20%,50V,GP,BK,3x5,1mm	
AR57	2008-000003	R-FUSIBLE:0.22ohm,5%,1/2W,AA,TP,3.5x9.4mm		AC61	2401-001361	C-AL:470UF,20%,16V,BP,TP,13x20mm,5m	
AR15	2008-000121	R-FUSIBLE:100ohm,5%,1/4W,AA,TP,2.6x6.7mm		FC1	2401-001538	C-AL:47UF,20%,16V,GP,6.3x11mm,2.5m	
AR24	2008-000121	R-FUSIBLE:100ohm,5%,1/4W,AA,TP,2.6x6.7mm		AC25L	2401-001572	C-AL:47UF,20%,50V,GP, 6.3X11,2.5MM	
AR25L	2008-000121	R-FUSIBLE:100ohm,5%,1/4W,AA,TP,2.6x6.7mm		AC25R	2401-001572	C-AL:47UF,20%,50V,GP, 6.3X11,2.5MM	
AR25R	2008-000121	R-FUSIBLE:100ohm,5%,1/4W,AA,TP,2.6x6.7mm		AC10	2401-001895	C-AL:100UF,20%,16V,GP,6.3x11mm,2.5m	
AR26L	2008-000121	R-FUSIBLE:100ohm,5%,1/4W,AA,TP,2.6x6.7mm		AC11L	2401-001895	C-AL:100UF,20%,16V,GP,6.3x11mm,2.5m	
AR26R	2008-000121	R-FUSIBLE:100ohm,5%,1/4W,AA,TP,2.6x6.7mm		AC11R	2401-001895	C-AL:100UF,20%,16V,GP,6.3x11mm,2.5m	
AR56	2008-000155	R-FUSIBLE:4.7OHM,1/2W	△	AC20L	2401-001895	C-AL:100UF,20%,16V,GP,6.3x11mm,2.5m	
AR311	2008-001105	R-FUSIBLE:5.6OHM,5%,2W,AA,TP,6X16MM	△	AC20R	2401-001895	C-AL:100UF,20%,16V,GP,6.3x11mm,2.5m	
AC325	2201-000161	C-CERAMIC,DISC:10nF,+80-20%,500V,Y5V,TP,13.5x		AC33	2401-001895	C-AL:100UF,20%,16V,GP,6.3x11mm,2.5m	
AC343	2201-000161	C-CERAMIC,DISC:10nF,+80-20%,500V,Y5V,TP,13.5x		AC34	2401-001895	C-AL:100UF,20%,16V,GP,6.3x11mm,2.5m	
AC43	2201-000161	C-CERAMIC,DISC:10nF,+80-20%,500V,Y5V,TP,13.5x		AC317	2401-001975	C-AL:47UF,20%,16V,GP,TP,5X11MM,5	
AC55	2201-000161	C-CERAMIC,DISC:10nF,+80-20%,500V,Y5V,TP,13.5x		AC318	2401-001975	C-AL:47UF,20%,16V,GP,TP,5X11MM,5	
AC56	2201-000161	C-CERAMIC,DISC:10nF,+80-20%,500V,Y5V,TP,13.5x		AC101	2401-001989	C-AL:4.7UF,20%,50V,BP,TP,5x11,5	
AC57	2201-000161	C-CERAMIC,DISC:10nF,+80-20%,500V,Y5V,TP,13.5x		AC301	2401-001989	C-AL:4.7UF,20%,50V,BP,TP,5x11,5	
AC58	2201-000161	C-CERAMIC,DISC:10nF,+80-20%,500V,Y5V,TP,13.5x		AC302	2401-001989	C-AL:4.7UF,20%,50V,BP,TP,5x11,5	
AC334	2201-000163	C-CERAMIC,DISC:10nF,+80-20%,50V,Y5V,TP,7x3,2,5		AC8	2401-002180	C-AL:2.2UF,20%,50V,GP,TP,5X11,5MM	
AC50	2201-000163	C-CERAMIC,DISC:10nF,+80-20%,50V,Y5V,TP,7x3,2,5		AC9L	2401-002180	C-AL:2.2UF,20%,50V,GP,TP,5X11,5MM	
AC51	2201-000163	C-CERAMIC,DISC:10nF,+80-20%,50V,Y5V,TP,7x3,2,5		AC9R	2401-002180	C-AL:2.2UF,20%,50V,GP,TP,5X11,5MM	
AC52	2201-000163	C-CERAMIC,DISC:10nF,+80-20%,50V,Y5V,TP,7x3,2,5		AL16	2701-000178	INDUCTOR-AXIAL:33UH,10%,3x7mm	
AC53	2201-000163	C-CERAMIC,DISC:10nF,+80-20%,50V,Y5V,TP,7x3,2,5		AL17	2701-000178	INDUCTOR-AXIAL:33UH,10%,3x7mm	
AC12	2201-000366	C-CERAMIC, DISC:220pF,10%500V,Y5P,TP,6x4		AJW1	3811-000389	WIRE-NO SHEATH CU:SPCW,300V,52.4MM,1/0.5MM,-,-	
AC14L	2201-000366	C-CERAMIC, DISC:220pF,10%500V,Y5P,TP,6x4		AJW10	3811-000389	WIRE-NO SHEATH CU:SPCW,300V,52.4MM,1/0.5MM,-,-	
AC14R	2201-000366	C-CERAMIC, DISC:220pF,10%500V,Y5P,TP,6x4		AJW100	3811-000389	WIRE-NO SHEATH CU:SPCW,300V,52.4MM,1/0.5MM,-,-	
AC305	2201-000366	C-CERAMIC, DISC:220pF,10%500V,Y5P,TP,6x4		AJW101	3811-000389	WIRE-NO SHEATH CU:SPCW,300V,52.4MM,1/0.5MM,-,-	
AC7	2201-000366	C-CERAMIC, DISC:220pF,10%500V,Y5P,TP,6x4		AJW102	3811-000389	WIRE-NO SHEATH CU:SPCW,300V,52.4MM,1/0.5MM,-,-	
AC8L	2201-000366	C-CERAMIC, DISC:220pF,10%500V,Y5P,TP,6x4		AJW103	3811-000389	WIRE	



Location no.	Code no.	Description & Specification	Remarks	Location no.	Code no.	Description & Specification	Remarks
UCN2	AH39-20561G	LEAD CONNECTOR-ASSY,-51004,35023,12P,150MM,1007#2		UQ1	0504-000117	TR-DIGITAL_KSR1002.NPN,300MW,10K/10K,TO-92,TP	
UCW3	AH39-20561G	LEAD CONNECTOR-ASSY,-51004,35023,12P,150MM,1007#2		UQ15	0504-000117	TR-DIGITAL_KSR1002.NPN,300MW,10K/10K,TO-92,TP	
UCW1	AH39-20561J	LEAD CONNECTOR-ASSY,-51004,35023,15P,100MM,1007#2		UQ16	0504-000117	TR-DIGITAL_KSR1002.NPN,300MW,10K/10K,TO-92,TP	
UCW1	AH39-20561K	LEAD CONNECTOR-ASSY,-51004,35023,15P,200MM,1007#2		UQ17	0504-000117	TR-DIGITAL_KSR1002.NPN,300MW,10K/10K,TO-92,TP	
	AH39-50001H	LEAD-FASTEN.RING,1007#24,100MM,BLK		UQ18	0504-000117	TR-DIGITAL_KSR1002.NPN,300MW,10K/10K,TO-92,TP	
FEP	AH40-10025E	TUNER-FM,FTA4-460H,4G,750HM		UQ19	0504-000117	TR-DIGITAL_KSR1002.NPN,300MW,10K/10K,TO-92,TP	
RIEYE	AH59-60001J	MODULE-REMOCON,GP1U271R,38KHZ,-,MESH,-	△	UQ4	0504-000117	TR-DIGITAL_KSR1002.NPN,300MW,10K/10K,TO-92,TP	
FREE	AH61-20524A	HOLDER-FLT;-ABS,-,-,-,SA-880A		UQ5	0504-000117	TR-DIGITAL_KSR1002.NPN,300MW,10K/10K,TO-92,TP	
AD10	0401-000101	DIODE-SWITCHING;1N4148,100V,200mA,DO-35,TP		AQ22	0504-000118	TR-DIGITAL_KSR1003.NPN,300MW,22K/22K,TO-92,TP	
AD100	0401-000101	DIODE-SWITCHING;1N4148,100V,200mA,DO-35,TP		AQ25	0504-000118	TR-DIGITAL_KSR1003.NPN,300MW,22K/22K,TO-92,TP	
AD101	0401-000101	DIODE-SWITCHING;1N4148,100V,200mA,DO-35,TP		AQ26	0504-000118	TR-DIGITAL_KSR1003.NPN,300MW,22K/22K,TO-92,TP	
AD103	0401-000101	DIODE-SWITCHING;1N4148,100V,200mA,DO-35,TP		AQ28	0504-000118	TR-DIGITAL_KSR1003.NPN,300MW,22K/22K,TO-92,TP	
AD11	0401-000101	DIODE-SWITCHING;1N4148,100V,200mA,DO-35,TP		AQ32	0504-000118	TR-DIGITAL_KSR1003.NPN,300MW,22K/22K,TO-92,TP	
AD12	0401-000101	DIODE-SWITCHING;1N4148,100V,200mA,DO-35,TP		AQ35	0504-000118	TR-DIGITAL_KSR1003.NPN,300MW,22K/22K,TO-92,TP	
AD13	0401-000101	DIODE-SWITCHING;1N4148,100V,200mA,DO-35,TP		AQ37	0504-000118	TR-DIGITAL_KSR1003.NPN,300MW,22K/22K,TO-92,TP	
AD14	0401-000101	DIODE-SWITCHING;1N4148,100V,200mA,DO-35,TP		AQ21	0504-001003	TR-DIGITAL_KSR2003.PNP,300MW,22K/22K,TO-92,TP	
AD15	0401-000101	DIODE-SWITCHING;1N4148,100V,200mA,DO-35,TP		AQ27	0504-001003	TR-DIGITAL_KSR2003.PNP,300MW,22K/22K,TO-92,TP	
AD18	0401-000101	DIODE-SWITCHING;1N4148,100V,200mA,DO-35,TP		AQ30	0504-001003	TR-DIGITAL_KSR2003.PNP,300MW,22K/22K,TO-92,TP	
AD22	0401-000101	DIODE-SWITCHING;1N4148,100V,200mA,DO-35,TP		UQ11	0504-001003	TR-DIGITAL_KSR2003.PNP,300MW,22K/22K,TO-92,TP	
AD801	0401-000101	DIODE-SWITCHING;1N4148,100V,200mA,DO-35,TP		UQ12	0504-001003	TR-DIGITAL_KSR2003.PNP,300MW,22K/22K,TO-92,TP	
AD802	0401-000101	DIODE-SWITCHING;1N4148,100V,200mA,DO-35,TP		UQ13	0504-001003	TR-DIGITAL_KSR2003.PNP,300MW,22K/22K,TO-92,TP	
AD803	0401-000101	DIODE-SWITCHING;1N4148,100V,200mA,DO-35,TP		UQ14	0504-001003	TR-DIGITAL_KSR2003.PNP,300MW,22K/22K,TO-92,TP	
AD804	0401-000101	DIODE-SWITCHING;1N4148,100V,200mA,DO-35,TP		ULD7	0601-001232	LED,TR,LED,1PCS,130-260%	
AD805	0401-000101	DIODE-SWITCHING;1N4148,100V,200mA,DO-35,TP		ULD8	0601-001232	LED,TR,LED,1PCS,130-260%	
AD806	0401-000101	DIODE-SWITCHING;1N4148,100V,200mA,DO-35,TP		ULD1	0601-001238	LED,ROUND,RED,3.1mm,697nm	
AD9	0401-000101	DIODE-SWITCHING;1N4148,100V,200mA,DO-35,TP		ULD2	0601-001238	LED,ROUND,RED,3.1mm,697nm	
TD1	0401-000101	DIODE-SWITCHING;1N4148,100V,200mA,DO-35,TP		ULD3	0601-001238	LED,ROUND,RED,3.1mm,697nm	
TD2	0401-000101	DIODE-SWITCHING;1N4148,100V,200mA,DO-35,TP		ULD4	0601-001238	LED,ROUND,RED,3.1mm,697nm	
TD3	0401-000101	DIODE-SWITCHING;1N4148,100V,200mA,DO-35,TP		ULD5	0601-001238	LED,ROUND,RED,3.1mm,697nm	
TD4	0401-000101	DIODE-SWITCHING;1N4148,100V,200mA,DO-35,TP		AR804	2001-000003	R-CARBON;330ohm,5%,1/8W,AA,TP,1.8x3.2mm	
TD5	0401-000101	DIODE-SWITCHING;1N4148,100V,200mA,DO-35,TP		TR42	2001-000003	R-CARBON;330ohm,5%,1/8W,AA,TP,1.8x3.2mm	
TD6	0401-000101	DIODE-SWITCHING;1N4148,100V,200mA,DO-35,TP		UR1	2001-000003	R-CARBON;330ohm,5%,1/8W,AA,TP,1.8x3.2mm	
TD7	0401-000101	DIODE-SWITCHING;1N4148,100V,200mA,DO-35,TP		TR9	2001-000005	R-CARBON;390ohm,5%,1/8W,AA,TP,1.8x3.2mm	
TD8	0401-000101	DIODE-SWITCHING;1N4148,100V,200mA,DO-35,TP		AR49	2001-000008	R-CARBON;15KOHM,5%,1/8W,AA,TP,1.8x3.2MM	
UD1	0401-000101	DIODE-SWITCHING;1N4148,100V,200mA,DO-35,TP		TR43	2001-000008	R-CARBON;15KOHM,5%,1/8W,AA,TP,1.8x3.2MM	
UD10	0401-000101	DIODE-SWITCHING;1N4148,100V,200mA,DO-35,TP		UR70	2001-000008	R-CARBON;15KOHM,5%,1/8W,AA,TP,1.8x3.2MM	
UD11	0401-000101	DIODE-SWITCHING;1N4148,100V,200mA,DO-35,TP		UR94	2001-000008	R-CARBON;15KOHM,5%,1/8W,AA,TP,1.8x3.2MM	
UD12	0401-000101	DIODE-SWITCHING;1N4148,100V,200mA,DO-35,TP		AR57	2001-000010	R-CARBON;68KOHM,5%,1/8W,AA,TP,1.8x3.2MM	
UD13	0401-000101	DIODE-SWITCHING;1N4148,100V,200mA,DO-35,TP		UR54	2001-000010	R-CARBON;68KOHM,5%,1/8W,AA,TP,1.8x3.2MM	
UD14	0401-000101	DIODE-SWITCHING;1N4148,100V,200mA,DO-35,TP		UR11	2001-000020	R-CARBON(S);22OHM,5%,1/2W,AA,TP,2.4X6.4MM	
UD15	0401-000101	DIODE-SWITCHING;1N4148,100V,200mA,DO-35,TP		UR12	2001-000020	R-CARBON(S);22OHM,5%,1/2W,AA,TP,2.4X6.4MM	
UD16	0401-000101	DIODE-SWITCHING;1N4148,100V,200mA,DO-35,TP		UR44	2001-000042	R-CARBON;1KOHM,5%,1/4W,AA,TP,2.4X6.4MM	
UD17	0401-000101	DIODE-SWITCHING;1N4148,100V,200mA,DO-35,TP		UR45	2001-000042	R-CARBON;1KOHM,5%,1/4W,AA,TP,2.4X6.4MM	
UD18	0401-000101	DIODE-SWITCHING;1N4148,100V,200mA,DO-35,TP		UR81	2001-000042	R-CARBON;1KOHM,5%,1/4W,AA,TP,2.4X6.4MM	
UD2	0401-000101	DIODE-SWITCHING;1N4148,100V,200mA,DO-35,TP		UR9	2001-000042	R-CARBON;1KOHM,5%,1/4W,AA,TP,2.4X6.4MM	
UD3	0401-000101	DIODE-SWITCHING;1N4148,100V,200mA,DO-35,TP		AR70	2001-000044	R-CARBON;1.2Kohm,5%,1/4W,AA,TP,2.4x6.4m	
UD4	0401-000101	DIODE-SWITCHING;1N4148,100V,200mA,DO-35,TP		TR36	2001-000057	R-CARBON;5.1Kohm,5%,1/8W,AA,TP,1.8x3.2m	
UD8	0401-000101	DIODE-SWITCHING;1N4148,100V,200mA,DO-35,TP		TR37	2001-000057	R-CARBON;5.1Kohm,5%,1/8W,AA,TP,1.8x3.2m	
UD9	0401-000101	DIODE-SWITCHING;1N4148,100V,200mA,DO-35,TP		UR82	2001-000109	R-CARBON(S);470OHM,5%,1/2W,AA,TP,2.4X6.4MM	
XD1	0401-000101	DIODE-SWITCHING;1N4148,100V,200mA,DO-35,TP		TR23	2001-000117	R-CARBON(S);68OHM,5%,1/2W,AA,TP,2.4X6.4MM	
XD2	0401-000101	DIODE-SWITCHING;1N4148,100V,200mA,DO-35,TP		UR10	2001-000221	R-CARBON;1.2KOHM,5%,1/8W,AA,TP,1.8x3.2MM	
AD102	0402-000127	DIODE-RECTIFIER;1N4002,100V,1A,DO-41,TP		UR14	2001-000221	R-CARBON;1.2KOHM,5%,1/8W,AA,TP,1.8x3.2MM	
AD19	0402-000127	DIODE-RECTIFIER;1N4002,100V,1A,DO-41,TP		UR38	2001-000221	R-CARBON;1.2KOHM,5%,1/8W,AA,TP,1.8x3.2MM	
AD20	0402-000127	DIODE-RECTIFIER;1N4002,100V,1A,DO-41,TP		TR13	2001-000241	R-CARBON;1.5KOHM,5%,1/8W,AA,TP,1.8x3.2MM	
AD21	0402-000127	DIODE-RECTIFIER;1N4002,100V,1A,DO-41,TP		UR19	2001-000258	R-CARBON;1.8KOHM,5%,1/8W,AA,TP,1.8x3.2MM	
AD23	0402-000127	DIODE-RECTIFIER;1N4002,100V,1A,DO-41,TP		UR21	2001-000258	R-CARBON;1.8KOHM,5%,1/8W,AA,TP,1.8x3.2MM	
AD24	0402-000127	DIODE-RECTIFIER;1N4002,100V,1A,DO-41,TP		UR79	2001-000258	R-CARBON;1.8KOHM,5%,1/8W,AA,TP,1.8x3.2MM	
AD5	0402-000127	DIODE-RECTIFIER;1N4002,100V,1A,DO-41,TP		AR209	2001-000273	R-CARBON;100KOHM,5%,1/8W,AA,TP,1.8x3.2MM	
UD6	0402-000127	DIODE-RECTIFIER;1N4002,100V,1A,DO-41,TP		AR72	2001-000273	R-CARBON;100KOHM,5%,1/8W,AA,TP,1.8x3.2MM	
UD7	0402-000127	DIODE-RECTIFIER;1N4002,100V,1A,DO-41,TP		AR78	2001-000273	R-CARBON;100KOHM,5%,1/8W,AA,TP,1.8x3.2MM	
AZD1	0403-000352	DIODE-ZENER,UZ4.7BM,4.7V,4.4-5.0V,500mW,DO		TR2	2001-000273	R-CARBON;100KOHM,5%,1/8W,AA,TP,1.8x3.2MM	
AZD2	0403-000352	DIODE-ZENER,UZ4.7BM,4.7V,4.4-5.0V,500mW,DO		TR38	2001-000273	R-CARBON;100KOHM,5%,1/8W,AA,TP,1.8x3.2MM	
AZD4	0403-000352	DIODE-ZENER,UZ4.7BM,4.7V,4.4-5.0V,500mW,DO		TR39	2001-000273	R-CARBON;100KOHM,5%,1/8W,AA,TP,1.8x3.2MM	
TZD2	0403-000354	DIODE-ZENER,UZ5.1B,5.1V,4.8-5.4V,500mW,DO		UR3	2001-000273	R-CARBON;100KOHM,5%,1/8W,AA,TP,1.8x3.2MM	
UZD1	0403-000354	DIODE-ZENER,UZ5.1B,5.1V,4.8-5.4V,500mW,DO		UR351	2001-000273	R-CARBON;100KOHM,5%,1/8W,AA,TP,1.8x3.2MM	
TZD1	0403-000372	DIODE-ZENER,UZ3.1BM,3.1V,2.8-3.6V,500mW		UR352	2001-000273	R-CARBON;100KOHM,5%,1/8W,AA,TP,1.8x3.2MM	
AZD3	0403-000379	DIODE-ZENER,UZP12B,12V,11.4-12.6V,1W,DO-41		UR353	2001-000273	R-CARBON;100KOHM,5%,1/8W,AA,TP,1.8x3.2MM	
AQ36	0501-000010	TR-SMALL SIGNAL,KSC1008,NPN,800mW,TO-92,TP,120		UR354	2001-000273	R-CARBON;100KOHM,5%,1/8W,AA,TP,1.8x3.2MM	
AQ38	0501-000010	TR-SMALL SIGNAL,KSC1008,NPN,800mW,TO-92,TP,120		UR8	2001-000273	R-CARBON;100KOHM,5%,1/8W,AA,TP,1.8x3.2MM	
AQ41	0501-000010	TR-SMALL SIGNAL,KSC1008,NPN,800mW,TO-92,TP,120		AR211	2001-000281	R-CARBON;100OHM,5%,1/8W,AA,TP,1.8x3.2MM	
AQ42	0501-000010	TR-SMALL SIGNAL,KSC1008,NPN,800mW,TO-92,TP,120		TR12	2001-000281	R-CARBON;100OHM,5%,1/8W,AA,TP,1.8x3.2MM	
AQ43	0501-000010	TR-SMALL SIGNAL,KSC1008,NPN,800mW,TO-92,TP,120		TR54	2001-000281	R-CARBON;100OHM,5%,1/8W,AA,TP,1.8x3.2MM	
TQ4	0501-000294	TR-SMALL SIGNAL,KSAT08-Y,PNP,800mW,TO-92,TP,12		UR28	2001-000281	R-CARBON;100OHM,5%,1/8W,AA,TP,1.8x3.2MM	
AQ13	0501-000303	TR-SMALL SIGNAL,KSAT733,PNP,250mW,TO-92,TP,120		UR29	2001-000281	R-CARBON;100OHM,5%,1/8W,AA,TP,1.8x3.2MM	
AQ14	0501-000303	TR-SMALL SIGNAL,KSAT733,PNP,250mW,TO-92,TP,120		UR30	2001-000281	R-CARBON;100OHM,5%,1/8W,AA,TP,1.8x3.2MM	
AQ15	0501-000303	TR-SMALL SIGNAL,KSAT733,PNP,250mW,TO-92,TP,120		UR31	2001-000281	R-CARBON;100OHM,5%,1/8W,AA,TP,1.8x3.2MM	
AQ17	0501-000303	TR-SMALL SIGNAL,KSAT733,PNP,250mW,TO-92,TP,120		UR32	2001-000281	R-CARBON;100OHM,5%,1/8W,AA,TP,1.8x3.2MM	
AQ20	0501-000303	TR-SMALL SIGNAL,KSAT733,PNP,250mW,TO-92,TP,120		UR33	2001-000281	R-CARBON;100OHM,5%,1/8W,AA,TP,1.8x3.2MM	
AQ31	0501-000303	TR-SMALL SIGNAL,KSAT733,PNP,250mW,TO-92,TP,120		UR41	2001-000281	R-CARBON;100OHM,5%,1/8W,AA,TP,1.8x3.2MM	
TQ2	0501-000382	TR-SMALL SIGNAL,KSC838-O,NPN,250mW,TO-92,-70		UR43	2001-000281	R-CARBON;100OHM,5%,1/8W,AA,TP,1.8x3.2MM	
TQ3	0501-000382	TR-SMALL SIGNAL,KSC838-O,NPN,250mW,TO-92,-70		UR52	2001-000281	R-CARBON;100OHM,5%,1/8W,AA,TP,1.8x3.2MM	
AQ16	0501-000398	TR-SMALL SIGNAL,KSC945,NPN,250mW,TO-92,TP,120		UR71	2001-000281	R-CARBON;100OHM,5%,1/8W,AA,TP,1.8x3.2MM	
AQ18	0501-000398	TR-SMALL SIGNAL,KSC945,NPN,250mW,TO-92,TP,120		UR88	2001-000281	R-CARBON;100OHM,5%,1/8W,AA,TP,1.8x3.2MM	
AQ19	0501-000398	TR-SMALL SIGNAL,KSC945,NPN,250mW,TO-92,TP,120		UR91	2001-000281	R-CARBON;100OHM,5%,1/8W,AA,TP,1.8x3.2MM	
AQ23	0501-000398	TR-SMALL SIGNAL,KSC945,NPN,250mW,TO-92,TP,120		XR4	2001-000281	R-CARBON;100OHM,5%,1/8W,AA,TP,1.8x3.2MM	
AQ24	0501-000398	TR-SMALL SIGNAL,KSC945,NPN,250mW,TO-92,TP,120		AR165	2001-000290	R-CARBON;10KOHM,5%,1/8W,AA,TP,1.8x3.2MM	
AQ29	0501-000398	TR-SMALL SIGNAL,KSC945,NPN,250mW,TO-92,TP,120		AR168	2001-000290	R-CARBON;10KOHM,5%,1/8W,AA,TP,1.8x3.2MM	
AQ33	0501-000398	TR-SMALL SIGNAL,KSC945,NPN,250mW,TO-92,TP,120		AR200	2001-000290	R-CARBON;10KOHM,5%,1/8W,AA,TP,1.8x3.2MM	
AQ34	0501-0						

Location no.	Code no.	Description & Specification	Remarks	Location no.	Code no.	Description & Specification	Remarks
AR59	2001-000290	R-CARBON:10KOHM,5%,1/8W,AA,TP,1.8X3.2MM		TR24	2001-000734	R-CARBON:4.7KOHM,5%,1/8W,AA,TP,1.8X3.2MM	
NR1	2001-000290	R-CARBON:10KOHM,5%,1/8W,AA,TP,1.8X3.2MM		TR31	2001-000734	R-CARBON:4.7KOHM,5%,1/8W,AA,TP,1.8X3.2MM	
TR10	2001-000290	R-CARBON:10KOHM,5%,1/8W,AA,TP,1.8X3.2MM		UR24	2001-000734	R-CARBON:4.7KOHM,5%,1/8W,AA,TP,1.8X3.2MM	
TR26	2001-000290	R-CARBON:10KOHM,5%,1/8W,AA,TP,1.8X3.2MM		UR34	2001-000734	R-CARBON:4.7KOHM,5%,1/8W,AA,TP,1.8X3.2MM	
TR34	2001-000290	R-CARBON:10KOHM,5%,1/8W,AA,TP,1.8X3.2MM		UR47	2001-000734	R-CARBON:4.7KOHM,5%,1/8W,AA,TP,1.8X3.2MM	
TR35	2001-000290	R-CARBON:10KOHM,5%,1/8W,AA,TP,1.8X3.2MM		UR48	2001-000734	R-CARBON:4.7KOHM,5%,1/8W,AA,TP,1.8X3.2MM	
UR15	2001-000290	R-CARBON:10KOHM,5%,1/8W,AA,TP,1.8X3.2MM		UR50	2001-000734	R-CARBON:4.7KOHM,5%,1/8W,AA,TP,1.8X3.2MM	
UR16	2001-000290	R-CARBON:10KOHM,5%,1/8W,AA,TP,1.8X3.2MM		UR55	2001-000734	R-CARBON:4.7KOHM,5%,1/8W,AA,TP,1.8X3.2MM	
UR17	2001-000290	R-CARBON:10KOHM,5%,1/8W,AA,TP,1.8X3.2MM		UR56	2001-000734	R-CARBON:4.7KOHM,5%,1/8W,AA,TP,1.8X3.2MM	
UR18	2001-000290	R-CARBON:10KOHM,5%,1/8W,AA,TP,1.8X3.2MM		UR57	2001-000734	R-CARBON:4.7KOHM,5%,1/8W,AA,TP,1.8X3.2MM	
UR2	2001-000290	R-CARBON:10KOHM,5%,1/8W,AA,TP,1.8X3.2MM		UR59	2001-000734	R-CARBON:4.7KOHM,5%,1/8W,AA,TP,1.8X3.2MM	
UR61	2001-000290	R-CARBON:10KOHM,5%,1/8W,AA,TP,1.8X3.2MM		UR66	2001-000734	R-CARBON:4.7KOHM,5%,1/8W,AA,TP,1.8X3.2MM	
UR7	2001-000290	R-CARBON:10KOHM,5%,1/8W,AA,TP,1.8X3.2MM		UR69	2001-000734	R-CARBON:4.7KOHM,5%,1/8W,AA,TP,1.8X3.2MM	
AR802	2001-000302	R-CARBON:10OHM,5%,1/8W,AA,TP,1.8X3.2MM		UR76	2001-000734	R-CARBON:4.7KOHM,5%,1/8W,AA,TP,1.8X3.2MM	
AR803	2001-000302	R-CARBON:10OHM,5%,1/8W,AA,TP,1.8X3.2MM		AR75	2001-000773	R-CARBON:470KOHM,5%,1/8W,AA,TP,1.8X3.2MM	
TR27	2001-000302	R-CARBON:10OHM,5%,1/8W,AA,TP,1.8X3.2MM		AR63	2001-000780	R-CARBON:470OHM,5%,1/8W,AA,TP,1.8X3.2MM	
TR40	2001-000319	R-CARBON:120KOHM,5%,1/8W,AA,TP,1.8X3.2MM		TR29	2001-000780	R-CARBON:470OHM,5%,1/8W,AA,TP,1.8X3.2MM	
TR41	2001-000319	R-CARBON:120KOHM,5%,1/8W,AA,TP,1.8X3.2MM		UR85	2001-000780	R-CARBON:470OHM,5%,1/8W,AA,TP,1.8X3.2MM	
AR73	2001-000331	R-CARBON:12KOHM,5%,1/8W,AA,TP,1.8X3.2MM		UR93	2001-000780	R-CARBON:470OHM,5%,1/8W,AA,TP,1.8X3.2MM	
TR11	2001-000331	R-CARBON:12KOHM,5%,1/8W,AA,TP,1.8X3.2MM		AR54	2001-000786	R-CARBON:47KOHM,5%,1/8W,AA,TP,1.8X3.2MM	
UR39	2001-000362	R-CARBON:150OHM,5%,1/8W,AA,TP,1.8X3.2MM		AR74	2001-000786	R-CARBON:47KOHM,5%,1/8W,AA,TP,1.8X3.2MM	
TR15	2001-000411	R-CARBON:18KOHM,5%,1/8W,AA,TP,1.8X3.2MM		UR74	2001-000786	R-CARBON:47KOHM,5%,1/8W,AA,TP,1.8X3.2MM	
AR46	2001-000429	R-CARBON:1KOHM,5%,1/8W,AA,TP,1.8X3.2MM		UR89	2001-000786	R-CARBON:47KOHM,5%,1/8W,AA,TP,1.8X3.2MM	
TR51	2001-000429	R-CARBON:1KOHM,5%,1/8W,AA,TP,1.8X3.2MM		UR90	2001-000786	R-CARBON:47KOHM,5%,1/8W,AA,TP,1.8X3.2MM	
TR52	2001-000429	R-CARBON:1KOHM,5%,1/8W,AA,TP,1.8X3.2MM		UR96	2001-000786	R-CARBON:47KOHM,5%,1/8W,AA,TP,1.8X3.2MM	
TR53	2001-000429	R-CARBON:1KOHM,5%,1/8W,AA,TP,1.8X3.2MM		TR25	2001-000802	R-CARBON:5.6Kohm,5%,1/8W,AA,TP,1.8X3.2m	
TR7	2001-000429	R-CARBON:1KOHM,5%,1/8W,AA,TP,1.8X3.2MM		TR55	2001-000857	R-CARBON:560OHM,5%,1/8W,AA,TP,1.8X3.2MM	
UR13	2001-000429	R-CARBON:1KOHM,5%,1/8W,AA,TP,1.8X3.2MM		AR61	2001-000864	R-CARBON:56KOHM,5%,1/8W,AA,TP,1.8X3.2MM	
UR4	2001-000429	R-CARBON:1KOHM,5%,1/8W,AA,TP,1.8X3.2MM		AR80	2001-000864	R-CARBON:56KOHM,5%,1/8W,AA,TP,1.8X3.2MM	
UR42	2001-000429	R-CARBON:1KOHM,5%,1/8W,AA,TP,1.8X3.2MM		UR26	2001-000864	R-CARBON:56KOHM,5%,1/8W,AA,TP,1.8X3.2MM	
UR51	2001-000429	R-CARBON:1KOHM,5%,1/8W,AA,TP,1.8X3.2MM		UR5	2001-000864	R-CARBON:56KOHM,5%,1/8W,AA,TP,1.8X3.2MM	
UR62	2001-000429	R-CARBON:1KOHM,5%,1/8W,AA,TP,1.8X3.2MM		UR25	2001-000890	R-CARBON:6.8KOHM,5%,1/8W,AA,TP,1.8X3.2MM	
UR63	2001-000429	R-CARBON:1KOHM,5%,1/8W,AA,TP,1.8X3.2MM		UR49	2001-000890	R-CARBON:6.8KOHM,5%,1/8W,AA,TP,1.8X3.2MM	
UR64	2001-000429	R-CARBON:1KOHM,5%,1/8W,AA,TP,1.8X3.2MM		UR77	2001-000890	R-CARBON:6.8KOHM,5%,1/8W,AA,TP,1.8X3.2MM	
UR65	2001-000429	R-CARBON:1KOHM,5%,1/8W,AA,TP,1.8X3.2MM		UR83	2001-000890	R-CARBON:6.8KOHM,5%,1/8W,AA,TP,1.8X3.2MM	
UR72	2001-000429	R-CARBON:1KOHM,5%,1/8W,AA,TP,1.8X3.2MM		UR84	2001-000890	R-CARBON:6.8KOHM,5%,1/8W,AA,TP,1.8X3.2MM	
UR73	2001-000429	R-CARBON:1KOHM,5%,1/8W,AA,TP,1.8X3.2MM		AR801	2001-000969	R-CARBON:75OHM,5%,1/8W,AA,TP,1.8X3.2MM	
UR75	2001-000429	R-CARBON:1KOHM,5%,1/8W,AA,TP,1.8X3.2MM		AR204	2001-000977	R-CARBON:8.2KOHM,5%,1/8W,AA,TP,1.8X3.2MM	
UR86	2001-000429	R-CARBON:1KOHM,5%,1/8W,AA,TP,1.8X3.2MM		AR47	2001-000977	R-CARBON:8.2KOHM,5%,1/8W,AA,TP,1.8X3.2MM	
UR87	2001-000429	R-CARBON:1KOHM,5%,1/8W,AA,TP,1.8X3.2MM		AR85	2001-000977	R-CARBON:8.2KOHM,5%,1/8W,AA,TP,1.8X3.2MM	
UR92	2001-000429	R-CARBON:1KOHM,5%,1/8W,AA,TP,1.8X3.2MM		TR14	2001-000977	R-CARBON:8.2KOHM,5%,1/8W,AA,TP,1.8X3.2MM	
AR40	2001-000449	R-CARBON:2.2KOHM,5%,1/8W,AA,TP,1.8X3.2MM		TR33	2001-000977	R-CARBON:8.2KOHM,5%,1/8W,AA,TP,1.8X3.2MM	
AR64	2001-000449	R-CARBON:2.2KOHM,5%,1/8W,AA,TP,1.8X3.2MM		TR22	2001-001138	R-CARBON(S):390ohm,5%,1/2W,AA,TP,2.4x6.4mm	
TR28	2001-000449	R-CARBON:2.2KOHM,5%,1/8W,AA,TP,1.8X3.2MM		AR66	2003-000008	R-METAL OXIDE(S):100ohm,5%,1W,AA,TP,3.3x9mm	
TR3	2001-000449	R-CARBON:2.2KOHM,5%,1/8W,AA,TP,1.8X3.2MM		AR69	2003-000603	R-METAL OXIDE(S):270ohm,5%,1W,AA,TP,3.3x9mm	
TR30	2001-000449	R-CARBON:2.2KOHM,5%,1/8W,AA,TP,1.8X3.2MM		TSVR1	2103-000171	VR-SEMI:10kohm,30%,1/10W,TP	
TR32	2001-000449	R-CARBON:2.2KOHM,5%,1/8W,AA,TP,1.8X3.2MM		TC35	2201-000146	C-CERAMIC,DISC:0.1nF,5%,50V,SL,TP,5x3.5,5	
UR20	2001-000449	R-CARBON:2.2KOHM,5%,1/8W,AA,TP,1.8X3.2MM		TC37	2201-000146	C-CERAMIC,DISC:0.1nF,5%,50V,SL,TP,5x3.5,5	
UR22	2001-000449	R-CARBON:2.2KOHM,5%,1/8W,AA,TP,1.8X3.2MM		TC6	2201-000163	C-CERAMIC,DISC:10nF,+80-20%,50V,YSV,TP,7x3.2,5	
UR60	2001-000449	R-CARBON:2.2KOHM,5%,1/8W,AA,TP,1.8X3.2MM		TC29	2201-000247	C-CERAMIC,DISC:0.015nF,5%,50V,NP0,TP,5x3.5	
UR78	2001-000449	R-CARBON:2.2KOHM,5%,1/8W,AA,TP,1.8X3.2MM		TC51	2201-000247	C-CERAMIC,DISC:0.015nF,5%,50V,NP0,TP,5x3.5	
AR206	2001-000472	R-CARBON:2.7KOHM,5%,1/8W,AA,TP,1.8X3.2MM		TC42	2201-000260	C-CERAMIC,DISC:180pF,10%,50V,SL,4.2x5.2,TP	
AR67	2001-000472	R-CARBON:2.7KOHM,5%,1/8W,AA,TP,1.8X3.2MM		TC2	2201-000273	C-CERAMIC,DISC:0.018nF,5%,50V,NP0,TP,5x3.5	
TR8	2001-000472	R-CARBON:2.7KOHM,5%,1/8W,AA,TP,1.8X3.2MM		AC803	2201-000368	C-CERAMIC,DISC:220PF,10%,50V,SL,TP,6.5x3.0,5	
UR23	2001-000472	R-CARBON:2.7KOHM,5%,1/8W,AA,TP,1.8X3.2MM		TC4	2201-000381	C-CERAMIC,DISC:22NF,20%,50V,YSV,8.0x4.0mm,5mm,TP	
UR35	2001-000472	R-CARBON:2.7KOHM,5%,1/8W,AA,TP,1.8X3.2MM		TC7	2201-000381	C-CERAMIC,DISC:22NF,20%,50V,YSV,8.0x4.0mm,5mm,TP	
UR80	2001-000472	R-CARBON:2.7KOHM,5%,1/8W,AA,TP,1.8X3.2MM		TC8	2201-000381	C-CERAMIC,DISC:22NF,20%,50V,YSV,8.0x4.0mm,5mm,TP	
AR43	2001-000508	R-CARBON:220KOHM,5%,1/8W,AA,TP,1.8X3.2MM		TC28	2201-000423	C-CERAMIC,DISC:0.027nF,5%,50V,NP0,TP,5x3.5,5	
AR205	2001-000515	R-CARBON:220OHM,5%,1/8W,AA,TP,1.8X3.2MM		UR17	2201-000483	C-CERAMIC,DISC:0.033nF,5%,50V,NP0,TP,5x3.5,5	
TR6	2001-000515	R-CARBON:220OHM,5%,1/8W,AA,TP,1.8X3.2MM		UR18	2201-000483	C-CERAMIC,DISC:0.033nF,5%,50V,NP0,TP,5x3.5,5	
UR36	2001-000515	R-CARBON:220OHM,5%,1/8W,AA,TP,1.8X3.2MM		TC36	2201-000557	C-CERAMIC,DISC:0.47nF,10%,50V,SL,TP,8x3.5,5	
UR37	2001-000515	R-CARBON:220OHM,5%,1/8W,AA,TP,1.8X3.2MM		TC10	2201-000565	C-CERAMIC,DISC:47nF,20%,50V,YSV,12.5x4.0mm,5mm,TP	
UR58	2001-000515	R-CARBON:220OHM,5%,1/8W,AA,TP,1.8X3.2MM		TC11	2201-000565	C-CERAMIC,DISC:47nF,20%,50V,YSV,12.5x4.0mm,5mm,TP	
AR210	2001-000522	R-CARBON:22KOHM,5%,1/8W,AA,TP,1.8X3.2MM		TC21	2201-000565	C-CERAMIC,DISC:47nF,20%,50V,YSV,12.5x4.0mm,5mm,TP	
AR51	2001-000522	R-CARBON:22KOHM,5%,1/8W,AA,TP,1.8X3.2MM		TC31	2201-000565	C-CERAMIC,DISC:47nF,20%,50V,YSV,12.5x4.0mm,5mm,TP	
AR55	2001-000522	R-CARBON:22KOHM,5%,1/8W,AA,TP,1.8X3.2MM		TC34	2201-000565	C-CERAMIC,DISC:47nF,20%,50V,YSV,12.5x4.0mm,5mm,TP	
AR56	2001-000522	R-CARBON:22KOHM,5%,1/8W,AA,TP,1.8X3.2MM		TC5	2201-000565	C-CERAMIC,DISC:47nF,20%,50V,YSV,12.5x4.0mm,5mm,TP	
AR60	2001-000522	R-CARBON:22KOHM,5%,1/8W,AA,TP,1.8X3.2MM		UC108	2201-000565	C-CERAMIC,DISC:47nF,20%,50V,YSV,12.5x4.0mm,5mm,TP	
UR46	2001-000522	R-CARBON:22KOHM,5%,1/8W,AA,TP,1.8X3.2MM		UC2	2201-000565	C-CERAMIC,DISC:47nF,20%,50V,YSV,12.5x4.0mm,5mm,TP	
AR202	2001-000552	R-CARBON:3.3KOHM,5%,1/4W,AA,TP,2.4x6.4MM		UC3	2201-000565	C-CERAMIC,DISC:47nF,20%,50V,YSV,12.5x4.0mm,5mm,TP	
AR76	2001-000591	R-CARBON:3.3KOHM,5%,1/8W,AA,TP,1.8X3.2MM		UC4	2201-000565	C-CERAMIC,DISC:47nF,20%,50V,YSV,12.5x4.0mm,5mm,TP	
AR83	2001-000591	R-CARBON:3.3KOHM,5%,1/8W,AA,TP,1.8X3.2MM		AC101	2201-000783	C-CERAMIC,DISC:100nF,+80-20%,50V,YSV,TP,8x3.5	
AR84	2001-000591	R-CARBON:3.3KOHM,5%,1/8W,AA,TP,1.8X3.2MM		AC102	2201-000783	C-CERAMIC,DISC:100nF,+80-20%,50V,YSV,TP,8x3.5	
TR16	2001-000591	R-CARBON:3.3KOHM,5%,1/8W,AA,TP,1.8X3.2MM		AC26	2201-000783	C-CERAMIC,DISC:100nF,+80-20%,50V,YSV,TP,8x3.5	
TR17	2001-000591	R-CARBON:3.3KOHM,5%,1/8W,AA,TP,1.8X3.2MM		AC802	2201-000783	C-CERAMIC,DISC:100nF,+80-20%,50V,YSV,TP,8x3.5	
TR20	2001-000591	R-CARBON:3.3KOHM,5%,1/8W,AA,TP,1.8X3.2MM		AC804	2201-000783	C-CERAMIC,DISC:100nF,+80-20%,50V,YSV,TP,8x3.5	
TR21	2001-000591	R-CARBON:3.3KOHM,5%,1/8W,AA,TP,1.8X3.2MM		AC805	2201-000783	C-CERAMIC,DISC:100nF,+80-20%,50V,YSV,TP,8x3.5	
TR5	2001-000591	R-CARBON:3.3KOHM,5%,1/8W,AA,TP,1.8X3.2MM		TC1	2201-000783	C-CERAMIC,DISC:100nF,+80-20%,50V,YSV,TP,8x3.5	
UR67	2001-000591	R-CARBON:3.3KOHM,5%,1/8W,AA,TP,1.8X3.2MM		TC3	2201-000783	C-CERAMIC,DISC:100nF,+80-20%,50V,YSV,TP,8x3.5	
UR68	2001-000591	R-CARBON:3.3KOHM,5%,1/8W,AA,TP,1.8X3.2MM		UC12	2202-000780	C-CERAMIC,MLC-AXIAL:100NF,+80-20%,50V,YSV,3.5X19-	
AR58	2001-000613	R-CARBON:3.9KOHM,5%,1/8W,AA,TP,1.8X3.2MM		UC13	2202-000780	C-CERAMIC,MLC-AXIAL:100NF,+80-20%,50V,YSV,3.5X19-	
TR18	2001-000613	R-CARBON:3.9KOHM,5%,1/8W,AA,TP,1.8X3.2MM		UC14	2202-000780	C-CERAMIC,MLC-AXIAL:100NF,+80-20%,50V,YSV,3.5X19-	
AR203	2001-000660	R-CARBON:33KOHM,5%,1/8W,AA,TP,1.8X3.2MM		UC15	2202-000780	C-CERAMIC,MLC-AXIAL:100NF,+80-20%,50V,YSV,3.5X19-	
AR250	2001-000660	R-CARBON:33KOHM,5%,1/8W,AA,TP,1.8X3.2MM		UC16	2202-000780	C-CERAMIC,MLC-AXIAL:100NF,+80-20%,50V,YSV,3.5X19-	
AR77	2001-000660	R-CARBON:33KOHM,5%,1/8W,AA,TP,1.8X3.2MM		UC22	2202-000780	C-CERAMIC,MLC-AXIAL:100NF,+80-20%,50V,YSV,3.5X19-	
AR71	2001-000702	R-CARBON:39KOHM,5%,1/8W,AA,TP,1.8X3.2MM		TC16	2202-000825	C-CERAMIC,MLC-AXIAL:680pF,10%,50V,YSV,TP,3.5x19,-	
UR27	2001-000702	R-CARBON:39KOHM,5%,1/8W,AA,TP,1.8X3.2MM					





Location no.	Code no.	Description & Specification	Remarks
UJW65	3811-000389	WIRE-NO SHEATH CU:SPCW,300V,52.4MM,1/0.5MM,-,-	
UJW66	3811-000389	WIRE-NO SHEATH CU:SPCW,300V,52.4MM,1/0.5MM,-,-	
UJW67	3811-000389	WIRE-NO SHEATH CU:SPCW,300V,52.4MM,1/0.5MM,-,-	
UJW68	3811-000389	WIRE-NO SHEATH CU:SPCW,300V,52.4MM,1/0.5MM,-,-	
UJW69	3811-000389	WIRE-NO SHEATH CU:SPCW,300V,52.4MM,1/0.5MM,-,-	
UJW7	3811-000389	WIRE-NO SHEATH CU:SPCW,300V,52.4MM,1/0.5MM,-,-	
UJW70	3811-000389	WIRE-NO SHEATH CU:SPCW,300V,52.4MM,1/0.5MM,-,-	
UJW71	3811-000389	WIRE-NO SHEATH CU:SPCW,300V,52.4MM,1/0.5MM,-,-	
UJW72	3811-000389	WIRE-NO SHEATH CU:SPCW,300V,52.4MM,1/0.5MM,-,-	
UJW73	3811-000389	WIRE-NO SHEATH CU:SPCW,300V,52.4MM,1/0.5MM,-,-	
UJW74	3811-000389	WIRE-NO SHEATH CU:SPCW,300V,52.4MM,1/0.5MM,-,-	
UJW75	3811-000389	WIRE-NO SHEATH CU:SPCW,300V,52.4MM,1/0.5MM,-,-	
UJW76	3811-000389	WIRE-NO SHEATH CU:SPCW,300V,52.4MM,1/0.5MM,-,-	
UJW77	3811-000389	WIRE-NO SHEATH CU:SPCW,300V,52.4MM,1/0.5MM,-,-	
UJW78	3811-000389	WIRE-NO SHEATH CU:SPCW,300V,52.4MM,1/0.5MM,-,-	
UJW79	3811-000389	WIRE-NO SHEATH CU:SPCW,300V,52.4MM,1/0.5MM,-,-	
UJW8	3811-000389	WIRE-NO SHEATH CU:SPCW,300V,52.4MM,1/0.5MM,-,-	
UJW80	3811-000389	WIRE-NO SHEATH CU:SPCW,300V,52.4MM,1/0.5MM,-,-	
UJW804	3811-000389	WIRE-NO SHEATH CU:SPCW,300V,52.4MM,1/0.5MM,-,-	
UJW805	3811-000389	WIRE-NO SHEATH CU:SPCW,300V,52.4MM,1/0.5MM,-,-	
UJW81	3811-000389	WIRE-NO SHEATH CU:SPCW,300V,52.4MM,1/0.5MM,-,-	
UJW82	3811-000389	WIRE-NO SHEATH CU:SPCW,300V,52.4MM,1/0.5MM,-,-	
UJW83	3811-000389	WIRE-NO SHEATH CU:SPCW,300V,52.4MM,1/0.5MM,-,-	
UJW84	3811-000389	WIRE-NO SHEATH CU:SPCW,300V,52.4MM,1/0.5MM,-,-	
UJW85	3811-000389	WIRE-NO SHEATH CU:SPCW,300V,52.4MM,1/0.5MM,-,-	
UJW86	3811-000389	WIRE-NO SHEATH CU:SPCW,300V,52.4MM,1/0.5MM,-,-	
UJW87	3811-000389	WIRE-NO SHEATH CU:SPCW,300V,52.4MM,1/0.5MM,-,-	
UJW88	3811-000389	WIRE-NO SHEATH CU:SPCW,300V,52.4MM,1/0.5MM,-,-	
UJW89	3811-000389	WIRE-NO SHEATH CU:SPCW,300V,52.4MM,1/0.5MM,-,-	
UJW9	3811-000389	WIRE-NO SHEATH CU:SPCW,300V,52.4MM,1/0.5MM,-,-	
UJW90	3811-000389	WIRE-NO SHEATH CU:SPCW,300V,52.4MM,1/0.5MM,-,-	
UJW91	3811-000389	WIRE-NO SHEATH CU:SPCW,300V,52.4MM,1/0.5MM,-,-	
UJW92	3811-000389	WIRE-NO SHEATH CU:SPCW,300V,52.4MM,1/0.5MM,-,-	
UJW93	3811-000389	WIRE-NO SHEATH CU:SPCW,300V,52.4MM,1/0.5MM,-,-	
UJW94	3811-000389	WIRE-NO SHEATH CU:SPCW,300V,52.4MM,1/0.5MM,-,-	
UJW95	3811-000389	WIRE-NO SHEATH CU:SPCW,300V,52.4MM,1/0.5MM,-,-	
UJW96	3811-000389	WIRE-NO SHEATH CU:SPCW,300V,52.4MM,1/0.5MM,-,-	
UJW97	3811-000389	WIRE-NO SHEATH CU:SPCW,300V,52.4MM,1/0.5MM,-,-	
UJW98	3811-000389	WIRE-NO SHEATH CU:SPCW,300V,52.4MM,1/0.5MM,-,-	
UJW99	3811-000389	WIRE-NO SHEATH CU:SPCW,300V,52.4MM,1/0.5MM,-,-	

**AH92-00300A**

**ASSY-PCB:SA880A,SUB**

PIC1	1001-001016	IC:ANALOG SWITCH:LC78211,CMOS,DIP,30P,334MIL,OC	△
PIC2	1001-001017	IC:LC78213	△
PK2	2801-000185	CRYSTAL-UNIT;7.734475MHZ,50PPM,28-AB,16PF	
EVR1	3406-001022	SWITCH-ROTARY;5V,0.5mA,24Pulse/no click,12mm	
PCW3	3711-000683	CONNECTOR-HEADER,BOX,13P,1R,2mm,STRAIGHT,SN	
PCW1	3711-000724	CONNECTOR-HEADER,BOX,15P,1R,2mm,STRAIGHT,SN	
PCW2	3711-000724	CONNECTOR-HEADER,BOX,15P,1R,2mm,STRAIGHT,SN	
ECM1	3711-000898	CONNECTOR-HEADER,BOX,3P,1R,2.5mm,ANGLE,SN	
VCV9	3711-002809	CONNECTOR-HEADER,BOX,8P,1R,2mm,STRAIGHT,SN	
VJACK2	3722-000375	JACK-RCA;4P/2C,3.5MM,SN,BLK,#16-22	
JK1	3722-000381	JACK-RCA;6P/4C,3.5MM,SN,BLK,#16-22	
JK2	3722-000393	JACK-RCA;12P/8C,3.5MM,SN,BLK,#16-22	
JK3	3722-000393	JACK-RCA;12P/8C,3.5MM,SN,BLK,#16-22	
VIC2	AH13-00003A	IC:ASIC;-LC74783,24P,P.O.S.D	△
VIC1	AH14-10008A	IC:VIDEO SWITCHING;IC VIDEO-SW,BA7626	△
PIC3	AH14-10008C	IC:VOLUME;ME2446FP,SOP-	△
VJACK1	AH37-20011K	JACK-PIN;42.8MM,S-466A-03,3PBULK-	
PCN1	AH39-20561J	LEAD CONNECTOR-ASSY;-51004,35023,15P,100MM,1007#2	
-	AH39-50001L	LEAD-FASTEN;RING,1007#24,200MM,BLK	
LEAD	AH39-50001L	LEAD-FASTEN;RING,1007#24,200MM,BLK	
PCB	AH41-00086A	PCB-SUB;-SIDE,FR-(PHENOL)-,330X247X1.6T,-,-	
PD1	0401-000101	DIODE-SWITCHING;1N4148,100V,200mA,DO-35,TP	
PD2	0401-000101	DIODE-SWITCHING;1N4148,100V,200mA,DO-35,TP	
PD3	0401-000101	DIODE-SWITCHING;1N4148,100V,200mA,DO-35,TP	
PD4	0401-000101	DIODE-SWITCHING;1N4148,100V,200mA,DO-35,TP	
PD5	0401-000101	DIODE-SWITCHING;1N4148,100V,200mA,DO-35,TP	
PD6	0401-000101	DIODE-SWITCHING;1N4148,100V,200mA,DO-35,TP	
PD7	0401-000101	DIODE-SWITCHING;1N4148,100V,200mA,DO-35,TP	
PD871	0401-000101	DIODE-SWITCHING;1N4148,100V,200mA,DO-35,TP	
PD872	0401-000101	DIODE-SWITCHING;1N4148,100V,200mA,DO-35,TP	
PD873	0401-000101	DIODE-SWITCHING;1N4148,100V,200mA,DO-35,TP	
VC802	0401-000101	DIODE-SWITCHING;1N4148,100V,200mA,DO-35,TP	
VD1	0401-000101	DIODE-SWITCHING;1N4148,100V,200mA,DO-35,TP	
PZD2	0403-000354	DIODE-ZENER;UZ5.1B,5.1V,4.8-5.4V,500mW,DO	
PZD1	0403-000363	DIODE-ZENER;UZ6.8BH,6.8V,6.8-7.2V,500mW,DO	
PZD3	0403-000363	DIODE-ZENER;UZ6.8BH,6.8V,6.8-7.2V,500mW,DO	
PQ5	0501-000010	TR-SMALL SIGNAL;KSC1008,NPN,800mW,TO-92,TP,120	
PQ6	0501-000010	TR-SMALL SIGNAL;KSC1008,NPN,800mW,TO-92,TP,120	
VQ1	0501-000303	TR-SMALL SIGNAL;KSA733,PNP,250mW,TO-92,TP,120	
VQ2	0501-000303	TR-SMALL SIGNAL;KSA733,PNP,250mW,TO-92,TP,120	
PQ11	0501-000398	TR-SMALL SIGNAL;KSC945,NPN,250mW,TO-92,TP,120	
PQ12	0501-000398	TR-SMALL SIGNAL;KSC945,NPN,250mW,TO-92,TP,120	
VQ3	0501-000398	TR-SMALL SIGNAL;KSC945,NPN,250mW,TO-92,TP,120	
VQ4	0501-000398	TR-SMALL SIGNAL;KSC945,NPN,250mW,TO-92,TP,120	
PQ3	0501-000407	TR-SMALL SIGNAL;KSD471A-Y,NPN,800mW,TO-92,-12	
PQ4	0501-000407	TR-SMALL SIGNAL;KSD471A-Y,NPN,800mW,TO-92,-12	
PQ871	0501-000407	TR-SMALL SIGNAL;KSD471A-Y,NPN,800mW,TO-92,-12	
PQ872	0501-000407	TR-SMALL SIGNAL;KSD471A-Y,NPN,800mW,TO-92,-12	
PQ1	0504-000118	TR-DIGITAL;KSR1003,NPN,300MW,22K/22K,TO-92,TP	
PQ10	0504-000118	TR-DIGITAL;KSR1003,NPN,300MW,22K/22K,TO-92,TP	

Location no.	Code no.	Description & Specification	Remarks
PQ14	0504-000118	TR-DIGITAL;KSR1003,NPN,300MW,22K/22K,TO-92,TP	
PQ9	0504-000118	TR-DIGITAL;KSR1003,NPN,300MW,22K/22K,TO-92,TP	
PQ13	0504-001003	TR-DIGITAL;KSR2003,PNP,300MW,22K/22K,TO-92,TP	
PQ2	0504-001003	TR-DIGITAL;KSR2003,PNP,300MW,22K/22K,TO-92,TP	
PQ7	0504-001003	TR-DIGITAL;KSR2003,PNP,300MW,22K/22K,TO-92,TP	
PQ8	0504-001003	TR-DIGITAL;KSR2003,PNP,300MW,22K/22K,TO-92,TP	
PIC15	1001-000105	IC:ANALOG SWITCH;CD4066BM,BILATERAL,CMOS,SOP,14	△
PIC10	1201-000163	IC-OP AMP;4560,SOP,8P;173MIL,DUAL,100V/mV,PLASTIC,	△
PIC11	1201-000163	IC-OP AMP;4560,SOP,8P;173MIL,DUAL,100V/mV,PLASTIC,	△
PIC12	1201-000163	IC-OP AMP;4560,SOP,8P;173MIL,DUAL,100V/mV,PLASTIC,	△
PIC13	1201-000163	IC-OP AMP;4560,SOP,8P;173MIL,DUAL,100V/mV,PLASTIC,	△
PIC14	1201-000163	IC-OP AMP;4560,SOP,8P;173MIL,DUAL,100V/mV,PLASTIC,	△
PIC21	1201-000163	IC-OP AMP;4560,SOP,8P;173MIL,DUAL,100V/mV,PLASTIC,	△
PIC4	1201-000163	IC-OP AMP;4560,SOP,8P;173MIL,DUAL,100V/mV,PLASTIC,	△
PIC5	1201-000163	IC-OP AMP;4560,SOP,8P;173MIL,DUAL,100V/mV,PLASTIC,	△
PIC6	1201-000163	IC-OP AMP;4560,SOP,8P;173MIL,DUAL,100V/mV,PLASTIC,	△
PIC7	1201-000163	IC-OP AMP;4560,SOP,8P;173MIL,DUAL,100V/mV,PLASTIC,	△
PIC8	1201-000163	IC-OP AMP;4560,SOP,8P;173MIL,DUAL,100V/mV,PLASTIC,	△
PIC9	1201-000163	IC-OP AMP;4560,SOP,8P;173MIL,DUAL,100V/mV,PLASTIC,	△
VR21	2001-000003	R-CARBON;330ohm,5%,1/8W,AA,TP,1.8X3.2MM	
PR13L	2001-000008	R-CARBON;15KOHM,5%,1/8W,AA,TP,1.8X3.2MM	
PR13R	2001-000008	R-CARBON;15KOHM,5%,1/8W,AA,TP,1.8X3.2MM	
PR135	2001-000010	R-CARBON;68KOHM,5%,1/8W,AA,TP,1.8X3.2MM	
PR138	2001-000010	R-CARBON;68KOHM,5%,1/8W,AA,TP,1.8X3.2MM	
PR169	2001-000221	R-CARBON;1.2KOHM,5%,1/8W,AA,TP,1.8X3.2MM	
PR170	2001-000221	R-CARBON;1.2KOHM,5%,1/8W,AA,TP,1.8X3.2MM	
VR15	2001-000221	R-CARBON;1.2KOHM,5%,1/8W,AA,TP,1.8X3.2MM	
PR12L	2001-000241	R-CARBON;1.5KOHM,5%,1/8W,AA,TP,1.8X3.2MM	
PR12R	2001-000241	R-CARBON;1.5KOHM,5%,1/8W,AA,TP,1.8X3.2MM	
PR108	2001-000273	R-CARBON;100KOHM,5%,1/8W,AA,TP,1.8X3.2MM	
PR10L	2001-000273	R-CARBON;100KOHM,5%,1/8W,AA,TP,1.8X3.2MM	
PR10R	2001-000273	R-CARBON;100KOHM,5%,1/8W,AA,TP,1.8X3.2MM	
PR113	2001-000273	R-CARBON;100KOHM,5%,1/8W,AA,TP,1.8X3.2MM	
PR114	2001-000273	R-CARBON;100KOHM,5%,1/8W,AA,TP,1.8X3.2MM	
PR115	2001-000273	R-CARBON;100KOHM,5%,1/8W,AA,TP,1.8X3.2MM	
PR116	2001-000273	R-CARBON;100KOHM,5%,1/8W,AA,TP,1.8X3.2MM	
PR11L	2001-000273	R-CARBON;100KOHM,5%,1/8W,AA,TP,1.8X3.2MM	
PR11R	2001-000273	R-CARBON;100KOHM,5%,1/8W,AA,TP,1.8X3.2MM	
PR133	2001-000273	R-CARBON;100KOHM,5%,1/8W,AA,TP,1.8X3.2MM	
PR140	2001-000273	R-CARBON;100KOHM,5%,1/8W,AA,TP,1.8X3.2MM	
PR15L	2001-000273	R-CARBON;100KOHM,5%,1/8W,AA,TP,1.8X3.2MM	
PR15R	2001-000273	R-CARBON;100KOHM,5%,1/8W,AA,TP,1.8X3.2MM	
VR10	2001-000273	R-CARBON;100KOHM,5%,1/8W,AA,TP,1.8X3.2MM	
PR166	2001-000281	R-CARBON;100OHM,5%,1/8W,AA,TP,1.8X3.2MM	
PR171	2001-000281	R-CARBON;100OHM,5%,1/8W,AA,TP,1.8X3.2MM	
PR172	2001-000281	R-CARBON;100OHM,5%,1/8W,AA,TP,1.8X3.2MM	
PR173	2001-000281	R-CARBON;100OHM,5%,1/8W,AA,TP,1.8X3.2MM	
PR310	2001-000281	R-CARBON;100OHM,5%,1/8W,AA,TP,1.8X3.2MM	
PR313	2001-000281	R-CARBON;100OHM,5%,1/8W,AA,TP,1.8X3.2MM	
VR3	2001-000281	R-CARBON;100OHM,5%,1/8W,AA,TP,1.8X3.2MM	
VR4	2001-000281	R-CARBON;100OHM,5%,1/8W,AA,TP,1.8X3.2MM	
PR117	2001-000290	R-CARBON;10KOHM,5%,1/8W,AA,TP,1.8X3.2MM	
PR118	2001-000290	R-CARBON;10KOHM,5%,1/8W,AA,TP,1.8X3.2MM	
PR119	2001-000290	R-CARBON;10KOHM,5%,1/8W,AA,TP,1.8X3.2MM	
PR120	2001-000290	R-CARBON;10KOHM,5%,1/8W,AA,TP,1.8X3.2MM	
PR121	2001-000290	R-CARBON;10KOHM,5%,1/8W,AA,TP,1.8X3.2MM	
PR122	2001-000290	R-CARBON;10KOHM,5%,1/8W,AA,TP,1.8X3.2MM	
PR123	2001-000290	R-CARBON;10KOHM,5%,1/8W,AA,TP,1.8X3.2MM	
PR124	2001-000290	R-CARBON;10KOHM,5%,1/8W,AA,TP,1.8X3.2MM	
PR153	2001-000290	R-CARBON;10KOHM,5%,1/8W,AA,TP,1.8X3.2MM	
PR156	2001-000290	R-CARBON;10KOHM,5%,1/8W,AA,TP,1.8X3.2MM	
PR180	2001-000290	R-CARBON;10KOHM,5%,1/8W,AA,TP,1.8X3.2MM	
VR13	2001-000290	R-CARBON;10KOHM,5%,1/8W,AA,TP,1.8X3.2MM	
VR19	2001-000290	R-CARBON;10KOHM,5%,1/8W,AA,TP,1.8X3.2MM	
VR12	2001-000302	R-CARBON;10OHM,5%,1/8W,AA,TP,1.8X3.2MM	
PR14L	2001-000397	R-CARBON;180KOHM,5%,1/8W,AA,TP,1.8X3.2MM	
PR14R	2001-000397	R-CARBON;180KOHM,5%,1/8W,AA,TP,1.8X3.2MM	
PR174	2001-000411	R-CARBON;18KOHM,5%,1/8W,AA,TP,1.8X3.2MM	
PR175	2001-000411	R-CARBON;18KOHM,5%,1/8W,AA,TP,1.8X3.2MM	
PR102	2001-000429	R-CARBON;1KOHM,5%,1/8W,AA,TP,1.8X3.2MM	
PR103	2001-000429	R-CARBON;1KOHM,5%,1/8W,AA,TP,1.8X3.2MM	
PR165	2001-000429	R-CARBON;1KOHM,5%,1/8W,AA,TP,1.8X3.2MM	
PR16R	2001-000429	R-CARBON;1KOHM,5%,1/8W,AA,TP,1.8X3.2MM	
VR16	2001-000429	R-CARBON;1KOHM,5%,1/8W,AA,TP,1.8X3.2MM	
VR17	2001-000429	R-CARBON;1KOHM,5%,1/8W,AA,TP,1.8X3.2MM	
VR18	2001-000429	R-CARBON;1KOHM,5%,1/8W,AA,TP,1.8X3.2MM	
VR2	2001-000429	R-CARBON;1KOHM,5%,1/8W,AA,TP,1.8X3.2MM	
VR5	2001-000429	R-CARBON;1KOHM,5%,1/8W,AA,TP,1.8X3.2MM	
PR106	2001-000435	R-CARBON;1MOHM,5%,1/8W,AA,TP,1.8X3.2MM	
PR304	2001-000435	R-CARBON;1MOHM,5%,1/8W,AA,TP,1.8X3.2MM	
PR104	2001-000449	R-CARBON;2.2KOHM,5%,1/8W,AA,TP,1.8X3.2MM	
PR107	2001-000449	R-CARBON;2.2KOHM,5%,1/8W,AA,TP,1.8X3.2MM	
PR111	2001-000449	R-CARBON;2.2KOHM,5%,1/8W,AA,TP,1.8X3.2MM	
PR112	2001-000449	R-CARBON;2.2KOHM,5%,1/8W,AA,TP,1.8X3.2MM	
PR158	2001-000449	R-CARBON;2.2KOHM,5%,1/8W,AA,TP,1.8X3.2MM	
PR159	2001-000449	R-CARBON;2.2KOHM,5%,1/8W,AA,TP,1.8X3.2MM	
PR871	2001-000449	R-CARBON;2.2KOHM,5%,1/8W,AA,TP,1.8X3.2MM	
PR872	2001-000449	R-CARBON;2.2KOHM,5%,	

Location no.	Code no.	Description & Specification	Remarks	Location no.	Code no.	Description & Specification	Remarks
PR2R	2001-000515	R-CARBON:220OHM,5%,1/8W,AA,TP,1.8X3.2MM		PCC3R	2201-000470	C-CERAMIC,DISC:330pF,10%,50V,SL,TP,6.5x3.5	
PR3L	2001-000515	R-CARBON:220OHM,5%,1/8W,AA,TP,1.8X3.2MM		PCC4	2201-000557	C-CERAMIC,DISC:0.47nF,10%,50V,SL,TP,8x3.5	
PR3R	2001-000515	R-CARBON:220OHM,5%,1/8W,AA,TP,1.8X3.2MM		PCC5	2201-000557	C-CERAMIC,DISC:0.47nF,10%,50V,SL,TP,8x3.5	
PR4L	2001-000515	R-CARBON:220OHM,5%,1/8W,AA,TP,1.8X3.2MM		PCC1	2201-000565	C-CERAMIC,DISC:47nF,20%,50V,Y5V,12.5x4.0mm,5mm,TP	
PR4R	2001-000515	R-CARBON:220OHM,5%,1/8W,AA,TP,1.8X3.2MM		PCC2L	2201-000642	C-CERAMIC,DISC:0.68nF,10%,50V,Y5P,TP,5x3.2,5	
PR5L	2001-000515	R-CARBON:220OHM,5%,1/8W,AA,TP,1.8X3.2MM		PCC2R	2201-000642	C-CERAMIC,DISC:0.68nF,10%,50V,Y5P,TP,5x3.2,5	
PR5R	2001-000515	R-CARBON:220OHM,5%,1/8W,AA,TP,1.8X3.2MM		PCC14	2201-000653	C-CERAMIC,DISC:68pF,5%,50V,SL,TP,4.0X3.5mm,2	
PR6L	2001-000515	R-CARBON:220OHM,5%,1/8W,AA,TP,1.8X3.2MM		PCC15	2201-000653	C-CERAMIC,DISC:68pF,5%,50V,SL,TP,4.0X3.5mm,2	
PR6R	2001-000515	R-CARBON:220OHM,5%,1/8W,AA,TP,1.8X3.2MM		PCC17	2201-000783	C-CERAMIC,DISC:100nF,+80-20%,50V,Y5V,TP,8x3.5	
PR7L	2001-000515	R-CARBON:220OHM,5%,1/8W,AA,TP,1.8X3.2MM		VC13	2201-000783	C-CERAMIC,DISC:100nF,+80-20%,50V,Y5V,TP,8x3.5	
PR7R	2001-000515	R-CARBON:220OHM,5%,1/8W,AA,TP,1.8X3.2MM		VC18	2301-000361	C-FILM,PEF:1.2nF,10%,50V,TP,5mm	
PR8L	2001-000515	R-CARBON:220OHM,5%,1/8W,AA,TP,1.8X3.2MM		PMC11	2301-000390	C-FILM,PEF:15nF,10%,50V,TP,6.5X9X3.5MM,5M	
PR8R	2001-000515	R-CARBON:220OHM,5%,1/8W,AA,TP,1.8X3.2MM		PMC9	2301-000390	C-FILM,PEF:15nF,10%,50V,TP,6.5X9X3.5MM,5M	
VR11	2001-000515	R-CARBON:220OHM,5%,1/8W,AA,TP,1.8X3.2MM		PMC1L	2301-000393	C-FILM,PEF:18nF,10%,50V,TP,6.5X12.5X3.5MM	
VR20	2001-000515	R-CARBON:220OHM,5%,1/8W,AA,TP,1.8X3.2MM		PMC1R	2301-000393	C-FILM,PEF:18nF,10%,50V,TP,6.5X12.5X3.5MM	
PR302	2001-000522	R-CARBON:22KOHM,5%,1/8W,AA,TP,1.8X3.2MM		PMC7	2301-000393	C-FILM,PEF:18nF,10%,50V,TP,6.5X12.5X3.5MM	
PR303	2001-000522	R-CARBON:22KOHM,5%,1/8W,AA,TP,1.8X3.2MM		PMC3L	2301-000400	C-FILM,PEF:1nF,10%,50V,TP,5X7X2.8MM,5MM	
PR164	2001-000554	R-CARBON:220OHM,5%,1/8W,AA,TP,1.8X3.2MM		PMC3R	2301-000400	C-FILM,PEF:1nF,10%,50V,TP,5X7X2.8MM,5MM	
PR144	2001-000563	R-CARBON:27KOHM,5%,1/8W,AA,TP,1.8X3.2MM		PMC1	2301-000404	C-FILM,PEF:2.2nF,10%,50V,TP,5.5X7X3.2MM,5	
PR145	2001-000563	R-CARBON:27KOHM,5%,1/8W,AA,TP,1.8X3.2MM		PMC3	2301-000404	C-FILM,PEF:2.2nF,10%,50V,TP,5.5X7X3.2MM,5	
PR146	2001-000563	R-CARBON:27KOHM,5%,1/8W,AA,TP,1.8X3.2MM		PMC10	2301-000442	C-FILM,PEF:4.7nF,10%,50V,TP,5.5x7x3mm,5mm	
PR309	2001-000591	R-CARBON:3.3KOHM,5%,1/8W,AA,TP,1.8X3.2MM		PMC12	2301-000442	C-FILM,PEF:4.7nF,10%,50V,TP,5.5x7x3mm,5mm	
PR312	2001-000591	R-CARBON:3.3KOHM,5%,1/8W,AA,TP,1.8X3.2MM		PMC2L	2301-000442	C-FILM,PEF:4.7nF,10%,50V,TP,5.5x7x3mm,5mm	
PR873	2001-000591	R-CARBON:3.3KOHM,5%,1/8W,AA,TP,1.8X3.2MM		PMC2R	2301-000442	C-FILM,PEF:4.7nF,10%,50V,TP,5.5x7x3mm,5mm	
PR874	2001-000591	R-CARBON:3.3KOHM,5%,1/8W,AA,TP,1.8X3.2MM		PMC6	2303-000312	C-FILM,PEF:100nF,5%,63V,TP,7.5x12.5x3.5,5	
PR109	2001-000734	R-CARBON:4.7KOHM,5%,1/8W,AA,TP,1.8X3.2MM		VC4	2401-000419	C-AL:10UF,20%,16V,GP,4X7.5	
PR110	2001-000734	R-CARBON:4.7KOHM,5%,1/8W,AA,TP,1.8X3.2MM		VC5	2401-000419	C-AL:10UF,20%,16V,GP,4X7.5	
PR127	2001-000734	R-CARBON:4.7KOHM,5%,1/8W,AA,TP,1.8X3.2MM		VC6	2401-000419	C-AL:10UF,20%,16V,GP,4X7.5	
PR128	2001-000734	R-CARBON:4.7KOHM,5%,1/8W,AA,TP,1.8X3.2MM		VC7	2401-000419	C-AL:10UF,20%,16V,GP,4X7.5	
PR129	2001-000734	R-CARBON:4.7KOHM,5%,1/8W,AA,TP,1.8X3.2MM		PEC1	2401-000438	C-AL:10UF,20%,25V,GP,5X11.2MM	
PR130	2001-000734	R-CARBON:4.7KOHM,5%,1/8W,AA,TP,1.8X3.2MM		VC12	2401-000438	C-AL:10UF,20%,25V,GP,5X11.2MM	
PR131	2001-000734	R-CARBON:4.7KOHM,5%,1/8W,AA,TP,1.8X3.2MM		PEC18	2401-000649	C-AL:2.2UF,20%,50V,NP,4x7.5	
PR134	2001-000734	R-CARBON:4.7KOHM,5%,1/8W,AA,TP,1.8X3.2MM		PEC21	2401-000649	C-AL:2.2UF,20%,50V,NP,4x7.5	
PR162	2001-000734	R-CARBON:4.7KOHM,5%,1/8W,AA,TP,1.8X3.2MM		PEC1L	2401-000778	C-AL:220UF,20%,10V,GP,6.3x11.2,5mm,	
PR163	2001-000734	R-CARBON:4.7KOHM,5%,1/8W,AA,TP,1.8X3.2MM		PEC1R	2401-000778	C-AL:220UF,20%,10V,GP,6.3x11.2,5mm,	
PR167	2001-000734	R-CARBON:4.7KOHM,5%,1/8W,AA,TP,1.8X3.2MM		PEC51	2401-000907	C-AL:22UF,20%,16V,GP,5X11.2MM	
PR168	2001-000734	R-CARBON:4.7KOHM,5%,1/8W,AA,TP,1.8X3.2MM		PEC52	2401-000907	C-AL:22UF,20%,16V,GP,5X11.2MM	
PR305	2001-000734	R-CARBON:4.7KOHM,5%,1/8W,AA,TP,1.8X3.2MM		VC1	2401-001355	C-AL:47UF,20%,10V,GP,8X11.5,5MM	
PR306	2001-000734	R-CARBON:4.7KOHM,5%,1/8W,AA,TP,1.8X3.2MM		VC2	2401-001355	C-AL:47UF,20%,10V,GP,8X11.5,5MM	
PR307	2001-000734	R-CARBON:4.7KOHM,5%,1/8W,AA,TP,1.8X3.2MM		VC3	2401-001538	C-AL:47UF,20%,25V,GP,6X11.2,5MM	
PR308	2001-000734	R-CARBON:4.7KOHM,5%,1/8W,AA,TP,1.8X3.2MM		PEC11	2401-001895	C-AL:100UF,20%,16V,GP,6.3x11mm,2,5m	
PR311	2001-000734	R-CARBON:4.7KOHM,5%,1/8W,AA,TP,1.8X3.2MM		PEC12	2401-001895	C-AL:100UF,20%,16V,GP,6.3x11mm,2,5m	
PR9L	2001-000780	R-CARBON:470OHM,5%,1/8W,AA,TP,1.8X3.2MM		PEC14	2401-001895	C-AL:100UF,20%,16V,GP,6.3x11mm,2,5m	
PR9R	2001-000780	R-CARBON:470OHM,5%,1/8W,AA,TP,1.8X3.2MM		PEC15	2401-001895	C-AL:100UF,20%,16V,GP,6.3x11mm,2,5m	
PR125	2001-000786	R-CARBON:470OHM,5%,1/8W,AA,TP,1.8X3.2MM		PEC22	2401-001895	C-AL:100UF,20%,16V,GP,6.3x11mm,2,5m	
PR126	2001-000786	R-CARBON:470OHM,5%,1/8W,AA,TP,1.8X3.2MM		PEC24	2401-001895	C-AL:100UF,20%,16V,GP,6.3x11mm,2,5m	
PR132	2001-000802	R-CARBON:5.6Kohm,5%,1/8W,AA,TP,1.8x3.2m		VC8	2401-001912	C-AL:1UF,20%,50V,GP,5x11mm,2mm,BK	
PR136	2001-000802	R-CARBON:5.6Kohm,5%,1/8W,AA,TP,1.8x3.2m		VC9	2401-001912	C-AL:1UF,20%,50V,GP,5x11mm,2mm,BK	
PR314	2001-000802	R-CARBON:5.6Kohm,5%,1/8W,AA,TP,1.8x3.2m		PEC2	2401-001954	C-AL:4.7UF,20%,50V,GP,BK,5X11MM,5	
PR315	2001-000802	R-CARBON:5.6Kohm,5%,1/8W,AA,TP,1.8x3.2m		PEC23	2401-001954	C-AL:4.7UF,20%,50V,GP,BK,5X11MM,5	
PR105	2001-000850	R-CARBON:56KOHM,5%,1/8W,AA,TP,1.8X3.2MM		PEC25	2401-001954	C-AL:4.7UF,20%,50V,GP,BK,5X11MM,5	
PR142	2001-000890	R-CARBON:6.8KOHM,5%,1/8W,AA,TP,1.8X3.2MM		PEC26	2401-001954	C-AL:4.7UF,20%,50V,GP,BK,5X11MM,5	
PR148	2001-000890	R-CARBON:6.8KOHM,5%,1/8W,AA,TP,1.8X3.2MM		PEC27	2401-001954	C-AL:4.7UF,20%,50V,GP,BK,5X11MM,5	
PR149	2001-000890	R-CARBON:6.8KOHM,5%,1/8W,AA,TP,1.8X3.2MM		PEC28	2401-001954	C-AL:4.7UF,20%,50V,GP,BK,5X11MM,5	
PR151	2001-000890	R-CARBON:6.8KOHM,5%,1/8W,AA,TP,1.8X3.2MM		PEC29	2401-001954	C-AL:4.7UF,20%,50V,GP,BK,5X11MM,5	
PR154	2001-000890	R-CARBON:6.8KOHM,5%,1/8W,AA,TP,1.8X3.2MM		PEC2L	2401-001954	C-AL:4.7UF,20%,50V,GP,BK,5X11MM,5	
PR157	2001-000890	R-CARBON:6.8KOHM,5%,1/8W,AA,TP,1.8X3.2MM		PEC2R	2401-001954	C-AL:4.7UF,20%,50V,GP,BK,5X11MM,5	
PR176	2001-000890	R-CARBON:6.8KOHM,5%,1/8W,AA,TP,1.8X3.2MM		PEC3	2401-001954	C-AL:4.7UF,20%,50V,GP,BK,5X11MM,5	
PR177	2001-000890	R-CARBON:6.8KOHM,5%,1/8W,AA,TP,1.8X3.2MM		PEC30	2401-001954	C-AL:4.7UF,20%,50V,GP,BK,5X11MM,5	
VR1	2001-000938	R-CARBON:68OHM,5%,1/8W,AA,TP,1.8X3.2MM		PEC4	2401-001954	C-AL:4.7UF,20%,50V,GP,BK,5X11MM,5	
VR6	2001-000938	R-CARBON:68OHM,5%,1/8W,AA,TP,1.8X3.2MM		PEC5	2401-001954	C-AL:4.7UF,20%,50V,GP,BK,5X11MM,5	
VR7	2001-000969	R-CARBON:75OHM,5%,1/8W,AA,TP,1.8X3.2MM		PEC10	2401-001968	C-AL:470NF,20%,50V,GP,TP,5X11MM,5	
VR8	2001-000969	R-CARBON:75OHM,5%,1/8W,AA,TP,1.8X3.2MM		PEC13	2401-001968	C-AL:470NF,20%,50V,GP,TP,5X11MM,5	
VR9	2001-000969	R-CARBON:75OHM,5%,1/8W,AA,TP,1.8X3.2MM		PEC06	2401-001975	C-AL:47UF,20%,16V,GP,TP,5X11MM,5	
PR147	2001-000977	R-CARBON:8.2KOHM,5%,1/8W,AA,TP,1.8X3.2MM		PEC07	2401-001975	C-AL:47UF,20%,16V,GP,TP,5X11MM,5	
PR152	2001-000977	R-CARBON:8.2KOHM,5%,1/8W,AA,TP,1.8X3.2MM		PEC16	2401-001975	C-AL:47UF,20%,16V,GP,TP,5X11MM,5	
PR155	2001-000977	R-CARBON:8.2KOHM,5%,1/8W,AA,TP,1.8X3.2MM		PEC17	2401-001975	C-AL:47UF,20%,16V,GP,TP,5X11MM,5	
VR14	2001-000977	R-CARBON:8.2KOHM,5%,1/8W,AA,TP,1.8X3.2MM		PEC3L	2401-001975	C-AL:47UF,20%,16V,GP,TP,5X11MM,5	
PR141	2001-001000	R-CARBON:82KOHM,5%,1/8W,AA,TP,1.8X3.2MM		PEC3R	2401-001975	C-AL:47UF,20%,16V,GP,TP,5X11MM,5	
PR143	2001-001000	R-CARBON:82KOHM,5%,1/8W,AA,TP,1.8X3.2MM		PEC8	2401-001975	C-AL:47UF,20%,16V,GP,TP,5X11MM,5	
PR160	2001-001077	R-CARBON(S):150ohm,5%,1/2W,AA,TP,2.4x6.4mm		PEC9	2401-001975	C-AL:47UF,20%,16V,GP,TP,5X11MM,5	
PR301	2001-001077	R-CARBON(S):150ohm,5%,1/2W,AA,TP,2.4x6.4mm		VC10	2401-001975	C-AL:47UF,20%,16V,GP,TP,5X11MM,5	
VC19	2201-000146	C-CERAMIC,DISC:0.1nF,5%,50V,SL,TP,5x3.5		AC11	2401-001994	C-AL:3.3UF,20%,50V,BPT,5X11MM,5	
AC14	2201-000223	C-CERAMIC,DISC:12pF,5%,50V,CH,TP,5x3.5,0		PEC19	2401-001994	C-AL:3.3UF,20%,50V,BPT,5X11MM,5	
PCC10	2201-000231	C-CERAMIC,DISC:150pF,10%,50V,SL,TP,6x3.5		PEC20	2401-001994	C-AL:3.3UF,20%,50V,BPT,5X11MM,5	
PCC8	2201-000231	C-CERAMIC,DISC:150pF,10%,50V,SL,TP,6x3.5		PEC302	2401-001994	C-AL:3.3UF,20%,50V,BPT,5X11MM,5	
PCC9	2201-000231	C-CERAMIC,DISC:150pF,10%,50V,SL,TP,6x3.5		PEC4L	2401-002180	C-AL:2.2UF,20%,50V,GP,TP,5X11,5MM	
VC15	2201-000247	C-CERAMIC,DISC:0.015nF,5%,50V,NP0,TP,5x3,5		VL2	2701-000178	INDUCTOR-AXIAL,33uH,10%,3x7mm	
PCC12	2201-000368	C-CERAMIC,DISC:220PF,10%,50V,SL,TP,6.5X3.0,5		PJW1	3811-000389	WIRE-NO SHEATH CU:SPCW,300V,52.4MM,1/0.5MM,-,-	
PCC13	2201-000368	C-CERAMIC,DISC:220PF,10%,50V,SL,TP,6.5X3.0,5		PJW10	3811-000389	WIRE-NO SHEATH CU:SPCW,300V,52.4MM,1/0.5MM,-,-	
PCC16	2201-000368	C-CERAMIC,DISC:220PF,10%,50V,SL,TP,6.5X3.0,5		PJW101	3811-000389	WIRE-NO SHEATH CU:SPCW,300V,52.4MM,1/0.5MM,-,-	
PCC2	2201-000368	C-CERAMIC,DISC:220PF,10%,50V,SL,TP,6.5X3.0,5		PJW102	3811-000389	WIRE-NO SHEATH CU:SPCW,300V,52.4MM,1/0.5MM,-,-	
PCC3	2201-000368	C-CERAMIC,DISC:220PF,10%,50V,SL,TP,6.5X3.0,5		PJW103	3811-000389	WIRE-NO SHEATH CU:SPCW,300V,52.4MM,1/0.5MM,-,-	
PCC6	2201-000368	C-CERAMIC,DISC:220PF,10%,50V,SL,TP,6.5X3.0,5		PJW104	3811-000389	WIRE-NO SHEATH CU:SPCW,300V,52.4MM,1/0.5MM,-,-	
PCC7	2201-000368	C-CERAMIC,DISC:220PF,10%,50V,SL,TP,6.5X3.0,5		PJW107	3811-000389	WIRE-NO SHEATH CU:SPCW,300V,52.4MM,1/0.5MM,-,-	
VC801	2201-000368	C-CERAMIC,DISC:220PF,10%,50V,SL,TP,6.5X3.0,5		PJW108	3811-000389	WIRE-NO SHEATH CU:SPCW,300V,52.4MM,1/0.5MM,-,-	
VC802	2201-000368	C-CERAMIC,DISC:220PF,10%,50V,SL,TP,6.5X3.0,5		PJW109	3811-000389	WIRE-NO SHEATH CU:SPCW,300V,52.4MM,1/0.5MM,-,-	
VC16	2201-000389	C-CERAMIC,DISC:0.022nF,5%,50V,NP0,TP,5x3,5		PJW11	3811-000389	WIRE-NO SHEATH CU:SPCW,300V,52.4MM,1/0.5MM,-,-	
VC17	2201-000389	C-CERAMIC,DISC:0.022nF,5%,50V,NP0,TP,5x3,5		PJW110	3811-000389	WIRE-NO SHEATH CU:SPCW,300V,52.4MM,1/0.5MM,-,-	
PCC11	2201-000411	C-CERAMIC,DISC:270pF,10%,50V,SL,TP,6.5X3		PJW111	3811-000389	WIRE-NO SHEATH CU:SPCW,300V,52.4MM,1/0.5MM,-,-	
PCC51	2201-000411	C-CERAMIC,DISC:270pF,10%,50V,SL,TP,6.5X3		PJW112	3811-000389	WIRE-NO SHEATH CU:SPCW,300V,52.4MM,1/0.5MM,-,-	
PCC52	2201-000411	C-CERAMIC,DISC:270pF,10%,50V,SL,TP,6.5X3					
PCC3L	2201-000470	C-CERAMIC,DISC:330pF,10%,50V,SL,TP,6.5x3,5					



Location no.	Code no.	Description & Specification	Remarks	Location no.	Code no.	Description & Specification	Remarks
DR35	2001-000522	R-CARBON:22KOHM,5%,1/8W,AA,TP,1.8X3.2MM		DC41	2401-001895	C-AL:100UF,20%,16V,GP,6.3x11mm,2.5m	
DR13	2001-000591	R-CARBON:3.3KOHM,5%,1/8W,AA,TP,1.8X3.2MM		DC42	2401-001895	C-AL:100UF,20%,16V,GP,6.3x11mm,2.5m	
DR17	2001-000591	R-CARBON:3.3KOHM,5%,1/8W,AA,TP,1.8X3.2MM		DC53	2401-001895	C-AL:100UF,20%,16V,GP,6.3x11mm,2.5m	
DR15	2001-000613	R-CARBON:3.9KOHM,5%,1/8W,AA,TP,1.8X3.2MM		DC54	2401-001895	C-AL:100UF,20%,16V,GP,6.3x11mm,2.5m	
DR19	2001-000613	R-CARBON:3.9KOHM,5%,1/8W,AA,TP,1.8X3.2MM		DC56	2401-001895	C-AL:100UF,20%,16V,GP,6.3x11mm,2.5m	
DR21	2001-000613	R-CARBON:3.9KOHM,5%,1/8W,AA,TP,1.8X3.2MM		DC57	2401-001895	C-AL:100UF,20%,16V,GP,6.3x11mm,2.5m	
DR23	2001-000613	R-CARBON:3.9KOHM,5%,1/8W,AA,TP,1.8X3.2MM		DC44	2401-001912	C-AL:1uF,20%,50V,GP,5x11mm,2mm,BK	
DR25	2001-000613	R-CARBON:3.9KOHM,5%,1/8W,AA,TP,1.8X3.2MM		DC51	2401-001912	C-AL:1uF,20%,50V,GP,5x11mm,2mm,BK	
DR27	2001-000613	R-CARBON:3.9KOHM,5%,1/8W,AA,TP,1.8X3.2MM		DC62	2401-001912	C-AL:1uF,20%,50V,GP,5x11mm,2mm,BK	
DR29	2001-000613	R-CARBON:3.9KOHM,5%,1/8W,AA,TP,1.8X3.2MM		DC66	2401-001912	C-AL:1uF,20%,50V,GP,5x11mm,2mm,BK	
DR31	2001-000613	R-CARBON:3.9KOHM,5%,1/8W,AA,TP,1.8X3.2MM		DC35	2401-001975	C-AL:47UF,20%,16V,GP,TP,5X11MM,5	
DR38	2001-000660	R-CARBON:33KOHM,5%,1/8W,AA,TP,1.8X3.2MM		DC36	2401-001975	C-AL:47UF,20%,16V,GP,TP,5X11MM,5	
DR43	2001-000666	R-CARBON:33OHM,5%,1/8W,AA,TP,1.8X3.2MM		DC39	2401-001975	C-AL:47UF,20%,16V,GP,TP,5X11MM,5	
DR46	2001-000666	R-CARBON:33OHM,5%,1/8W,AA,TP,1.8X3.2MM		DC48	2401-001975	C-AL:47UF,20%,16V,GP,TP,5X11MM,5	
DR51	2001-000666	R-CARBON:33OHM,5%,1/8W,AA,TP,1.8X3.2MM		DC45	2401-002180	C-AL:2.2UF,20%,50V,GP,TP,5X11,5MM	
DR53	2001-000666	R-CARBON:33OHM,5%,1/8W,AA,TP,1.8X3.2MM		DFB1	3301-000325	CORE-FERRITE BEAD,AB,3.2x2.5x1.3mm,-,-	
DR54	2001-000666	R-CARBON:33OHM,5%,1/8W,AA,TP,1.8X3.2MM		DFB2	3301-000325	CORE-FERRITE BEAD,AB,3.2x2.5x1.3mm,-,-	
DR55	2001-000666	R-CARBON:33OHM,5%,1/8W,AA,TP,1.8X3.2MM		DFB3	3301-000325	CORE-FERRITE BEAD,AB,3.2x2.5x1.3mm,-,-	
DR59	2001-000666	R-CARBON:33OHM,5%,1/8W,AA,TP,1.8X3.2MM		DFB4	3301-000325	CORE-FERRITE BEAD,AB,3.2x2.5x1.3mm,-,-	
DR63	2001-000666	R-CARBON:33OHM,5%,1/8W,AA,TP,1.8X3.2MM		DFB5	3301-000325	CORE-FERRITE BEAD,AB,3.2x2.5x1.3mm,-,-	
DR64	2001-000666	R-CARBON:33OHM,5%,1/8W,AA,TP,1.8X3.2MM		DJW1	3811-000389	WIRE-NO SHEATH CU:SPCW,300V,52.4MM,1/0.5MM,-,-	
DR65	2001-000666	R-CARBON:33OHM,5%,1/8W,AA,TP,1.8X3.2MM		DJW3	3811-000389	WIRE-NO SHEATH CU:SPCW,300V,52.4MM,1/0.5MM,-,-	
DR66	2001-000666	R-CARBON:33OHM,5%,1/8W,AA,TP,1.8X3.2MM		DJW5	3811-000389	WIRE-NO SHEATH CU:SPCW,300V,52.4MM,1/0.5MM,-,-	
DR70	2001-000666	R-CARBON:33OHM,5%,1/8W,AA,TP,1.8X3.2MM		DR50	3811-000389	WIRE-NO SHEATH CU:SPCW,300V,52.4MM,1/0.5MM,-,-	
DR71	2001-000666	R-CARBON:33OHM,5%,1/8W,AA,TP,1.8X3.2MM					
DR72	2001-000666	R-CARBON:33OHM,5%,1/8W,AA,TP,1.8X3.2MM					
DR73	2001-000666	R-CARBON:33OHM,5%,1/8W,AA,TP,1.8X3.2MM					
DR36	2001-000734	R-CARBON:4.7KOHM,5%,1/8W,AA,TP,1.8X3.2MM					
DR57	2001-000734	R-CARBON:4.7KOHM,5%,1/8W,AA,TP,1.8X3.2MM					
DR58	2001-000734	R-CARBON:4.7KOHM,5%,1/8W,AA,TP,1.8X3.2MM					
DR67	2001-000734	R-CARBON:4.7KOHM,5%,1/8W,AA,TP,1.8X3.2MM					
DR68	2001-000734	R-CARBON:4.7KOHM,5%,1/8W,AA,TP,1.8X3.2MM					
DR1	2001-000786	R-CARBON:47KOHM,5%,1/8W,AA,TP,1.8X3.2MM					
DR2	2001-000786	R-CARBON:47KOHM,5%,1/8W,AA,TP,1.8X3.2MM					
DR11	2001-000793	R-CARBON:47OHM,5%,1/8W,AA,TP,1.8X3.2MM					
DR12	2001-000793	R-CARBON:47OHM,5%,1/8W,AA,TP,1.8X3.2MM					
DR8	2001-000793	R-CARBON:47OHM,5%,1/8W,AA,TP,1.8X3.2MM					
DR9	2001-000793	R-CARBON:47OHM,5%,1/8W,AA,TP,1.8X3.2MM					
DR34	2001-000864	R-CARBON:56KOHM,5%,1/8W,AA,TP,1.8X3.2MM					
DC1	2201-000146	C-CERAMIC,DISC,0.1nF,5%,50V,SL,TP,5x3.5,5					
DC2	2201-000146	C-CERAMIC,DISC,0.1nF,5%,50V,SL,TP,5x3.5,5					
DC3	2201-000146	C-CERAMIC,DISC,0.1nF,5%,50V,SL,TP,5x3.5,5					
DC4	2201-000146	C-CERAMIC,DISC,0.1nF,5%,50V,SL,TP,5x3.5,5					
DC47	2201-000146	C-CERAMIC,DISC,0.1nF,5%,50V,SL,TP,5x3.5,5					
DC19	2201-000218	C-CERAMIC,DISC,120PF,5%,50V,SL,TP,5X4,5					
DC23	2201-000218	C-CERAMIC,DISC,120PF,5%,50V,SL,TP,5X4,5					
DC27	2201-000218	C-CERAMIC,DISC,120PF,5%,50V,SL,TP,5X4,5					
DC11	2201-000260	C-CERAMIC,DISC,180PF,10%,50V,SL,4*4.2,5,TP					
DC15	2201-000260	C-CERAMIC,DISC,180PF,10%,50V,SL,4*4.2,5,TP					
DC40	2202-000780	C-CERAMIC,MLC-AXIAL,100NF,+80-20%,50V,Y5V,3.5X19,-					
DC43	2202-000780	C-CERAMIC,MLC-AXIAL,100NF,+80-20%,50V,Y5V,3.5X19,-					
DC49	2202-000780	C-CERAMIC,MLC-AXIAL,100NF,+80-20%,50V,Y5V,3.5X19,-					
DC5	2202-000780	C-CERAMIC,MLC-AXIAL,100NF,+80-20%,50V,Y5V,3.5X19,-					
DC52	2202-000780	C-CERAMIC,MLC-AXIAL,100NF,+80-20%,50V,Y5V,3.5X19,-					
DC55	2202-000780	C-CERAMIC,MLC-AXIAL,100NF,+80-20%,50V,Y5V,3.5X19,-					
DC59	2202-000780	C-CERAMIC,MLC-AXIAL,100NF,+80-20%,50V,Y5V,3.5X19,-					
DC6	2202-000780	C-CERAMIC,MLC-AXIAL,100NF,+80-20%,50V,Y5V,3.5X19,-					
DC60	2202-000780	C-CERAMIC,MLC-AXIAL,100NF,+80-20%,50V,Y5V,3.5X19,-					
DC61	2202-000780	C-CERAMIC,MLC-AXIAL,100NF,+80-20%,50V,Y5V,3.5X19,-					
DC63	2202-000780	C-CERAMIC,MLC-AXIAL,100NF,+80-20%,50V,Y5V,3.5X19,-					
DC64	2202-000780	C-CERAMIC,MLC-AXIAL,100NF,+80-20%,50V,Y5V,3.5X19,-					
DC65	2202-000780	C-CERAMIC,MLC-AXIAL,100NF,+80-20%,50V,Y5V,3.5X19,-					
DC67	2202-000780	C-CERAMIC,MLC-AXIAL,100NF,+80-20%,50V,Y5V,3.5X19,-					
DC68	2202-000780	C-CERAMIC,MLC-AXIAL,100NF,+80-20%,50V,Y5V,3.5X19,-					
DC71	2202-000780	C-CERAMIC,MLC-AXIAL,100NF,+80-20%,50V,Y5V,3.5X19,-					
DC58	2202-000797	C-CERAMIC,MLC-AXIAL,10NF,30%,16V,Y5S,TP,3.5X1.9MM,-					
DC38	2301-000365	C-FILM,PEF,1.5nF,10%,50V,TP,5.5x7x2.8mm,5					
DC37	2301-000390	C-FILM,PEF,15nF,10%,50V,TP,6.5x9x3.5mm,5M					
DC20	2301-000407	C-FILM,PEF,2.7nF,10%,50V,TP,5.5x7x3mm,5MM					
DC24	2301-000407	C-FILM,PEF,2.7nF,10%,50V,TP,5.5x7x3mm,5MM					
DC28	2301-000407	C-FILM,PEF,2.7nF,10%,50V,TP,5.5x7x3mm,5MM					
DC46	2301-000411	C-FILM,PEF,220NF,5%,50V,BK,-,-					
DC12	2301-000422	C-FILM,PEF,3.3NF,10%,50V,TP,5.5x7x3mm,5MM					
DC16	2301-000422	C-FILM,PEF,3.3NF,10%,50V,TP,5.5x7x3mm,5MM					
DC13	2301-000455	C-FILM,PEF,5.6NF,5%,50V,TP,6X12X3,3.5MM					
DC17	2301-000455	C-FILM,PEF,5.6NF,5%,50V,TP,6X12X3,3.5MM					
DC21	2301-000455	C-FILM,PEF,5.6NF,5%,50V,TP,6X12X3,3.5MM					
DC25	2301-000455	C-FILM,PEF,5.6NF,5%,50V,TP,6X12X3,3.5MM					
DC29	2301-000455	C-FILM,PEF,5.6NF,5%,50V,TP,6X12X3,3.5MM					
DC31	2301-000462	C-FILM,PEF,6.8NF,10%,50V,TP,6X12X3,3.5MM					
DC32	2301-000476	C-FILM,PEF,82nF,10%,50V,TP,10.5x12.5x6,7m					
DC10	2401-000438	C-AL:10UF,20%,25V,GP,-,5X11.2MM					
DC14	2401-000438	C-AL:10UF,20%,25V,GP,-,5X11.2MM					
DC18	2401-000438	C-AL:10UF,20%,25V,GP,-,5X11.2MM					
DC22	2401-000438	C-AL:10UF,20%,25V,GP,-,5X11.2MM					
DC26	2401-000438	C-AL:10UF,20%,25V,GP,-,5X11.2MM					
DC30	2401-000438	C-AL:10UF,20%,25V,GP,-,5X11.2MM					
DC34	2401-000438	C-AL:10UF,20%,25V,GP,-,5X11.2MM					
DC50	2401-000438	C-AL:10UF,20%,25V,GP,-,5X11.2MM					
DC7	2401-000438	C-AL:10UF,20%,25V,GP,-,5X11.2MM					
DC8	2401-000438	C-AL:10UF,20%,25V,GP,-,5X11.2MM					
DC9	2401-000438	C-AL:10UF,20%,25V,GP,-,5X11.2MM					
DC33	2401-000759	C-AL:220NF,20%,50V,GP,-,5X11.2MM					