

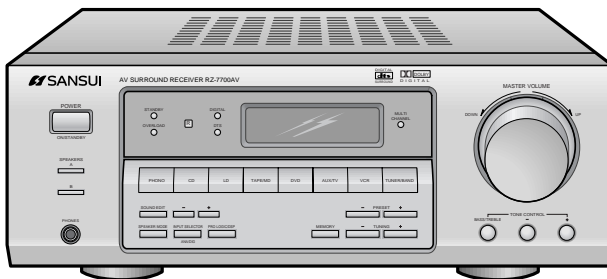
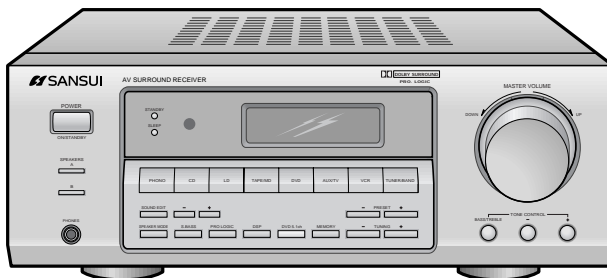


AV RECEIVER

RZ-3700AV/RZ-5700AV/RZ7700AV

SERVICE Manual

AV RECEIVER



CONTENTS

1. Specifications
2. Adjustment
3. Block Diagrams
4. Schematic Diagrams
5. Wiring Diagram
6. PCB Diagrams
7. Mechanical Parts List
8. Electrical Parts List

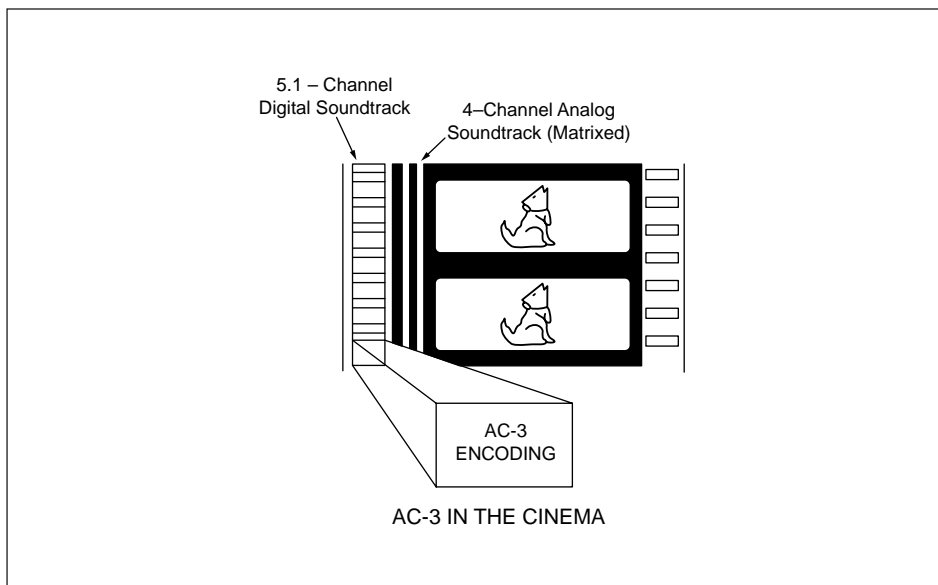
*Design and specifications are subject to change without notice for improvements

*CAUTION : Parts identified the SAFETY symbol(⚠) on the schematic diagram and the parts list are critical for safety.

Use only replacement parts that have critical characteristics recommended by the manufacturer.

DOLBY DIGITAL SURROUND

Dolby Laboratories spearheaded home theater with the introduction of Dolby Surround, and then defined it with the follow-up format Dolby Pro-Logic Surround. They have continued the evolution of home theater with the introduction of Dolby Digital Pro-Logic, a Multi-Channel Digital delivery system. Just as Dolby Surround found its beginnings in the cinema, so does Dolby Digital. This advanced multi-channel digital sound, although originally conceived for and later chosen for HDTV, made it practical to implement in the cinema because it enabled the film to retain the analog soundtrack. With backwards compatibility a priority so the film could be played in any cinema, it was decided to place the new digital optical track between the sprocket holes, which was a key factor in defining its maximum practical bit rate (see illustration).



In 1992 Dolby Surround Digital, the film sound format with Dolby Digital as its keystone, made its debut in the cinema. In less than three years, more than 300 feature films had been released in this new format, and nearly 1,500 cinemas had been equipped for playback of the digital soundtrack. Furthermore, Dolby Digital can now be brought to the consumer's home today via the LaserDisc.

Traditional Pulse Code Modulation (PCM), which is utilized on compact discs and LD's 4-channel matrixed digital audio tracks, uses a 16-bit word to "describe" the sampled point in the original analog wave. By sampling this analog wave 44,100 times per second for each channel, the system will yield a dynamic range of 96 dB from the loudest sound to the noise floor. However, this process creates an immense amount of data which is too large for multi-channel systems. Thus, a form of data reduction must be employed to reduce the total amount of information without serious degradation of the sound quality – hence the introduction of Dolby Digital.

The premise of Dolby Digital is simple, it reproduces the full bit resolution (16-bit) when a lower resolution will not result in the same sound quality. However, when a lower resolution is acceptable, it will utilize this lower resolution option instead for psychoacoustical theories and digital noise filtering technologies to help insure acceptable sound quality.

1. Specifications

AMPLIFIER

OUTPUT POWER	RZ-5700AV/RZ-7700AV
STEREO (6OHM, 0.09%, 1KHz)	130W + 130W
5CH (6OHM, 0.3%, 1KHz)	
FRONT L, R	100W + 100W
CENTER	100W
REAR L,R	100W + 100W
OUTPUT POWER	RZ-3700AV
STEREO (6OHM, 0.09%, 1KHz)	70W + 70W
5CH (6OHM, 0.3%, 1KHz)	
FRONT L, R	50W + 50W
CENTER	50W
REAR L,R	50W + 50W
S/N RATIO(INPUT SHORT, IHF A FILTER)	90dB(RZ3700AV/RZ5700AV),95dB(RZ7700AV)
SEPARATION(INPUT SHORT, 1KHz)	72dB
MINIMUM NOISE	0.3mV
CROSSTALK(1KHz)	73dB

TUNER

FM

USABLE SENSITIVITY(DISTORTION 3%)	2dBu
IMAGE REJECTION RATIO	80dB
S/N MONO	80dB
S/N STEREO	70dB
SEPARATION	40dB
TOTAL HARMONIC DISTORTION (MONO)	0.30%

AM

USABLE SENSITIVITY	51dB
S/N RATIO	50dB
TOTAL HARMONIC DISTORTION	0.6%

VIDEO Section

Input sensitivity and impedance	1.0 V P-P/75 ohms
Output level and impedance	1.0 V P-P/75 ohms

SURROUND Section

Delay time	RZ-3700AV/RZ-5700AV
DOLBY SURROUND	15~30mS
THEATER SURROUND	5~50mS
HALL, DOME, NATURAL SURROUND	5~100mS

Delay time	RZ-7700AV
DOLBY PRO LOGIC	
REAR SPEAKER	15~30mS
DOLBY DIGITAL	
CENTER SPEAKER	0~5mS
REAR SPEAKER	0~15mS

Others

Power requirements.	230V, 50/60 Hz
For Taiwan	120V (60 Hz)
For Europe	230V, 50 Hz
Power consumption	390 watts 490 VA
	560 watts Maximum / 1,300 watts Maximum(RZ-7700AV)
Dimensions	420 mm (16~15/16") W
	130 mm (5~11/16") H
	343 mm (13~13/16") D
Weight	14 kg (RZ-3700AV),15 kg (RZ-5700AV),13.5 kg (RZ-7700AV)

2. Adjustment(RZ-3700AV/RZ-5700AV/RZ-7700AV)

2-1 Instrument

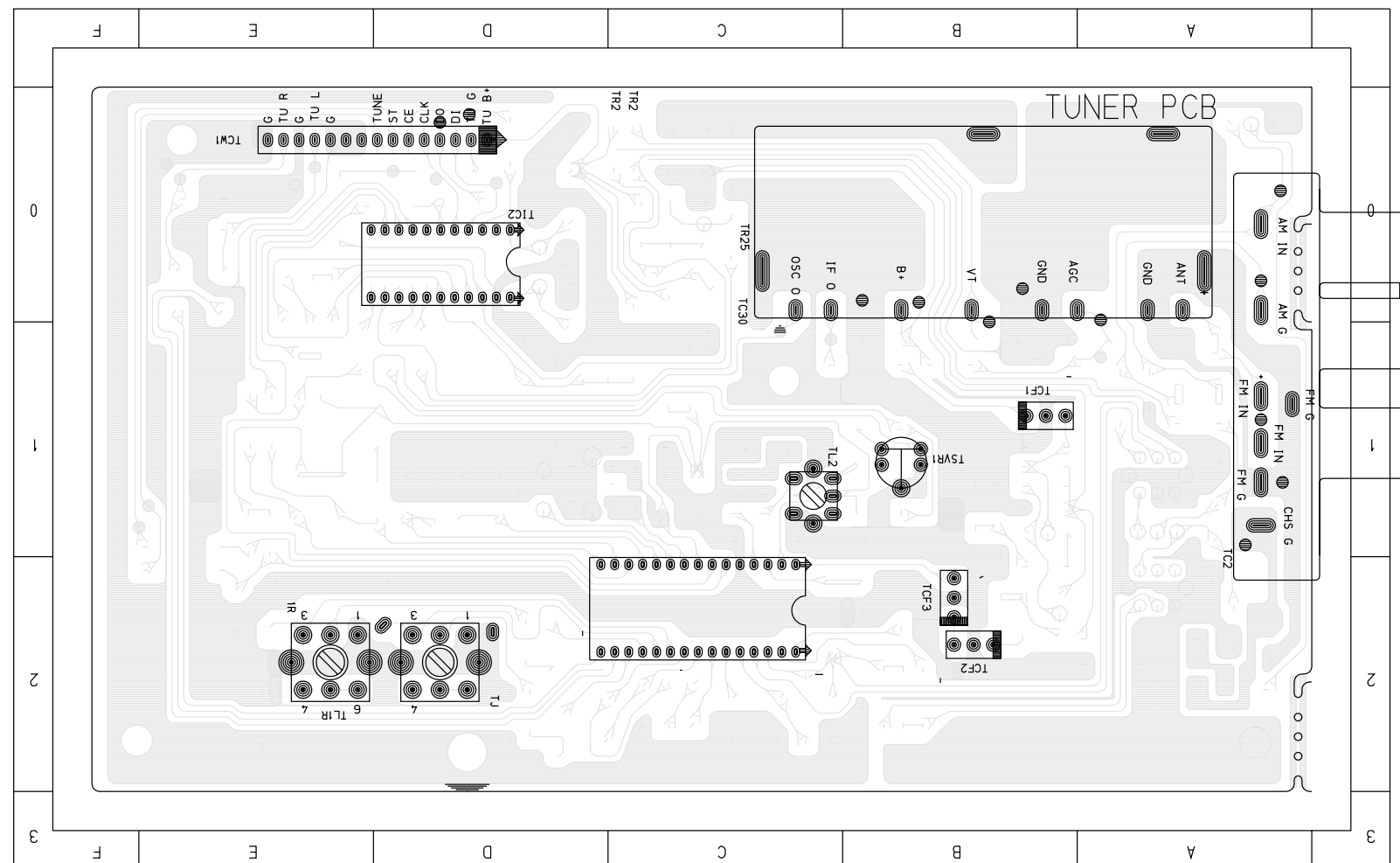


Fig 2-1 Location of Adjustment Point

2-1-1 Test Equipment

1. AM/FM Standard Signal Generator (S.S.G)
- FM : 1KHz, 75KHz(MOD) - AM :400Hz , 30% MOD - OUTPUT LEVEL : 50mW
2. Oscilloscope
3. VTVM
4. Frequency counter
5. Loop antenna
6. Dummy load (6Ω)
7. DC voltmeter
8. FM Stereo Modulator

2-1-2 Pre-Adjustment

1. Check the source voltage
2. Press TUNER/BAND to select the AM(MW) function.
3. Set the volume control to mid position.
4. Set volume control to approximately 50mW(6ohm)

2-2 Tuner Section

2-2-1 FM Adjustment

Step	Item	Connection	SSG.FREQ.	THD/AUTO SEARCH Adjustment	Adjust. Point	Remark
1	THD Adjustment	Fig 2-2	98 MHz	Minimum 0.5%	TL2	Best resonating point of SSG
2	FM Auto Serach Level	Fig 2-2	98 MHz	-	TSVR1	Turn SSG output 29dB

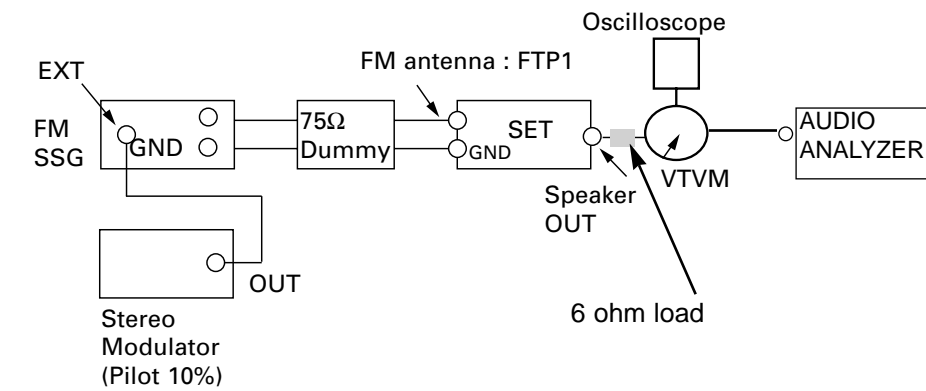


Fig. 2-2 FM Adjustment

2-2-2 AM Adjustment(2BAND)

Step	Item	Connection	SSG.FREQ.	FREQ. Setting	Adjust. Point	Remark
1	AM tracking adjustment	Fig 2-3	594 KHz	594 KHz	TL2 (BLK)	Maximum output

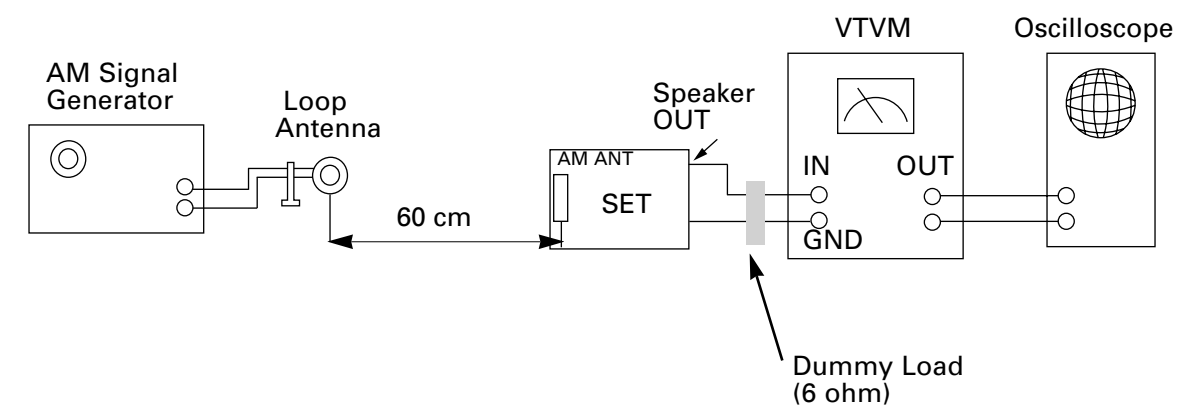
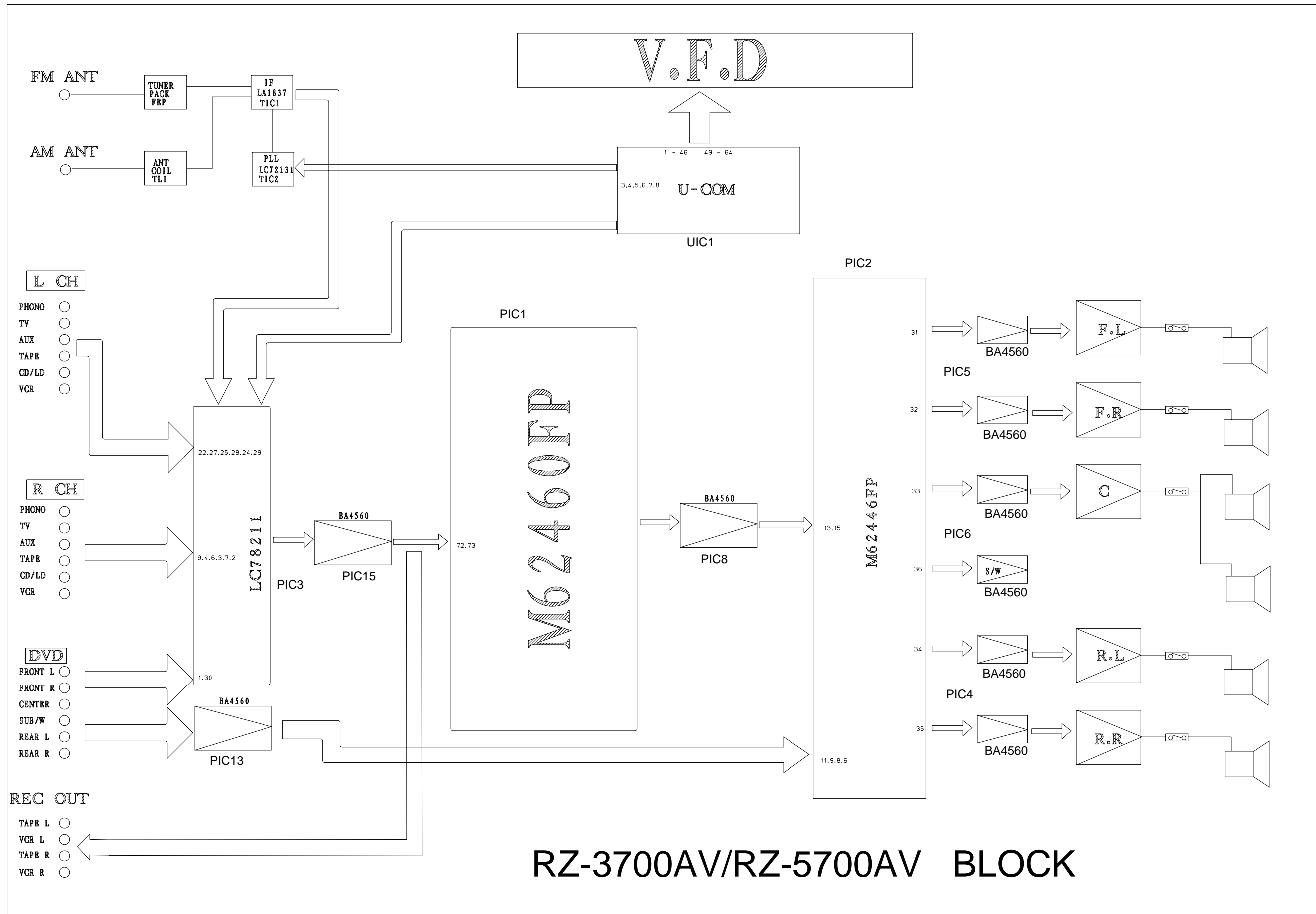
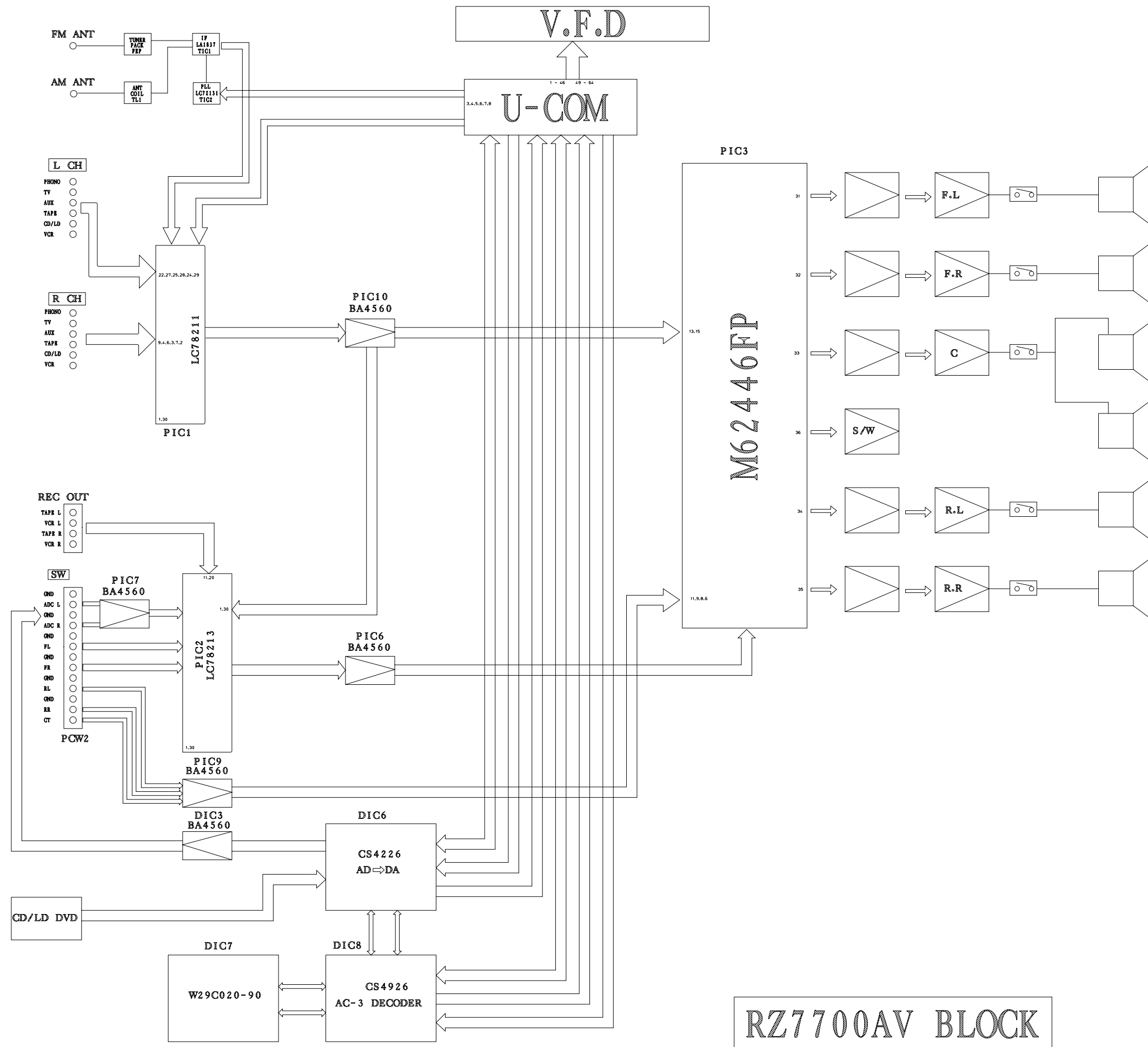


Fig . 2-3 AM Adjustment

3. Block Diagram



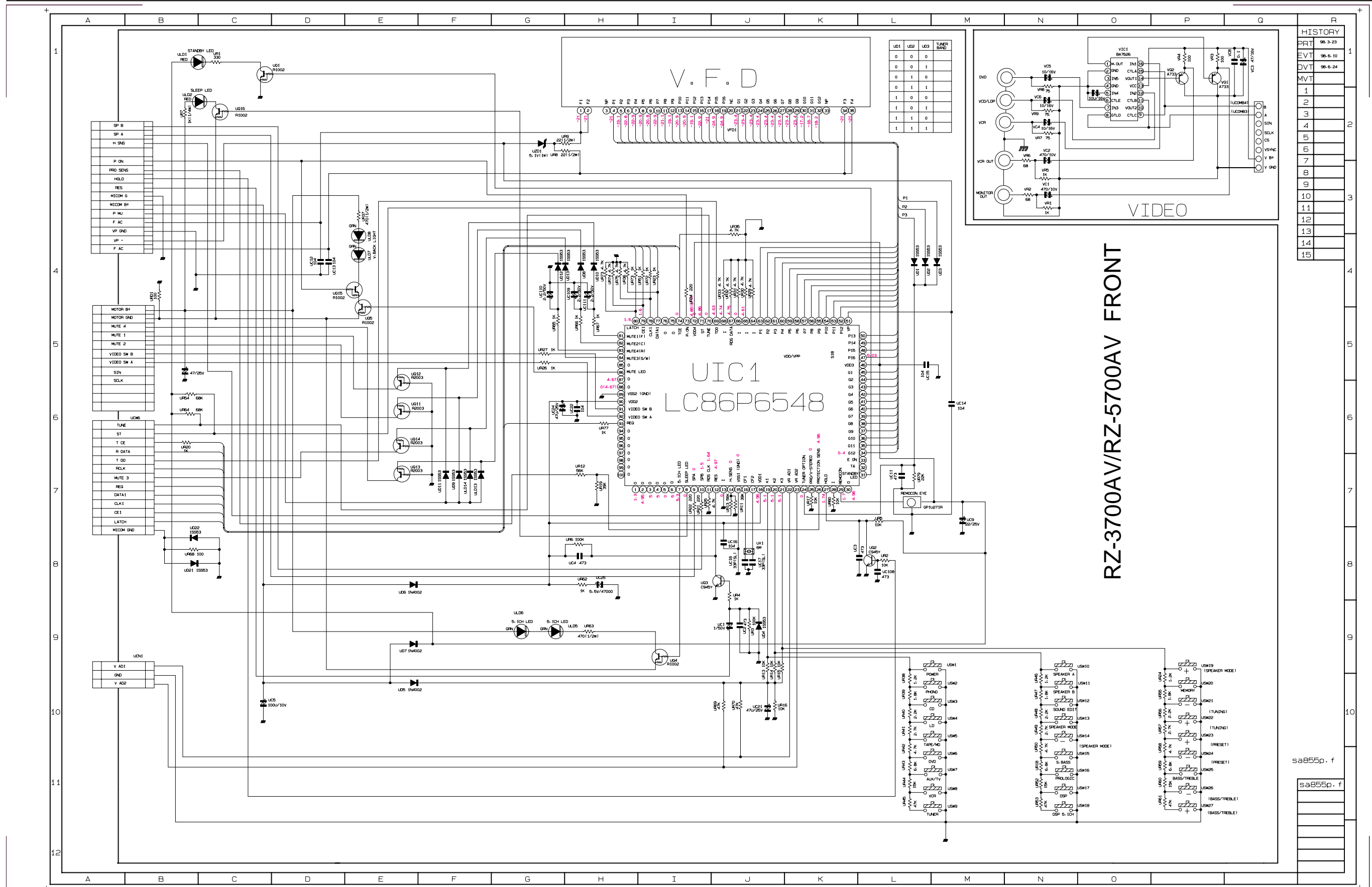
RZ-3700AV/RZ-5700AV BLOCK



RZ7700AV BLOCK

4. Schematic Diagram

4-1 Front Part

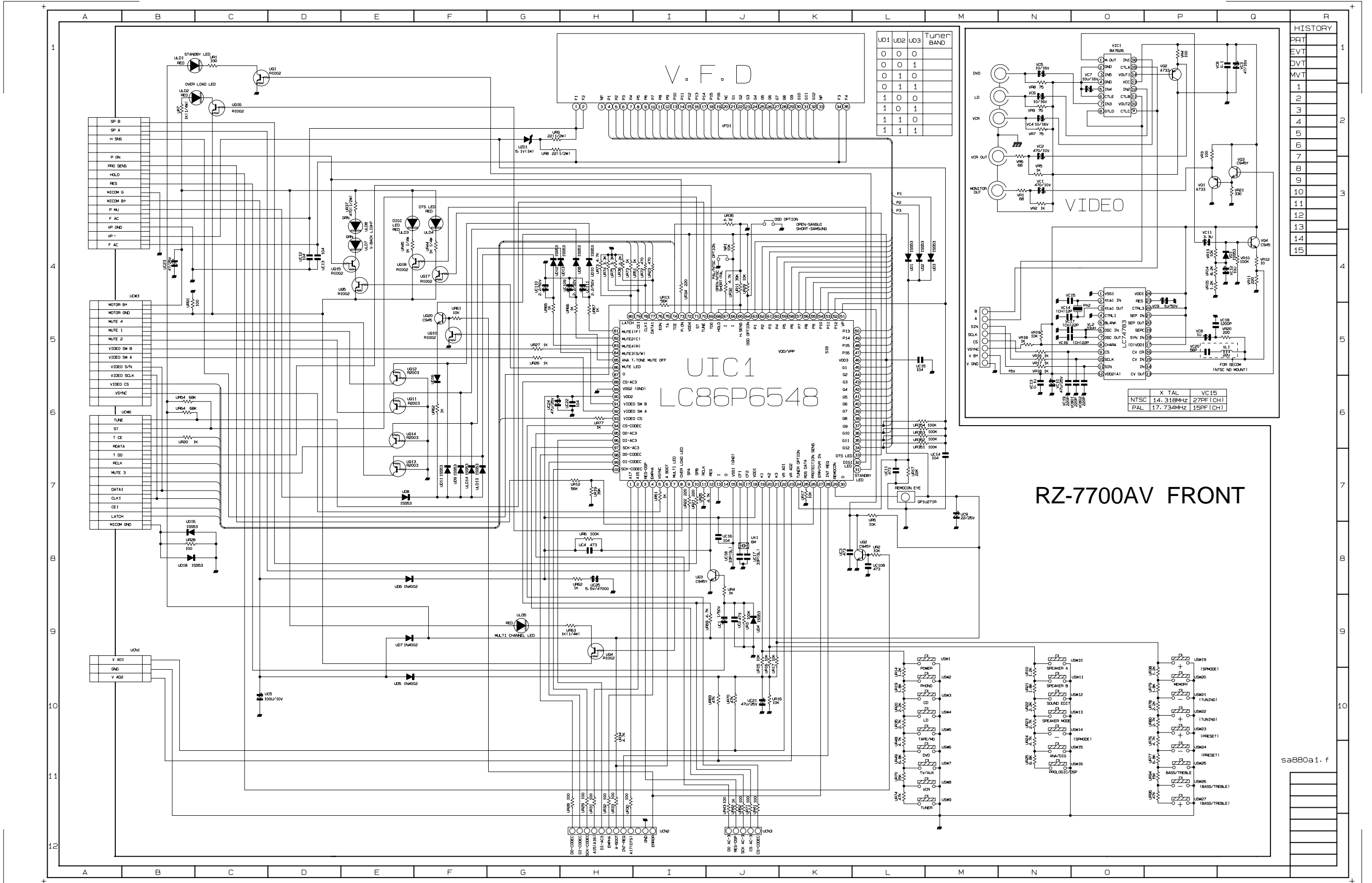


HISTORY	
PRT	98-3-23
EVT	98-6-10
DVT	98-6-24
MVT	1
	2
	3
	4
	5
	6
	7
	8
	9
	10
	11
	12
	13
	14
	15

RZ-3700A/RZ-5700AV FRONT

sa855p.f

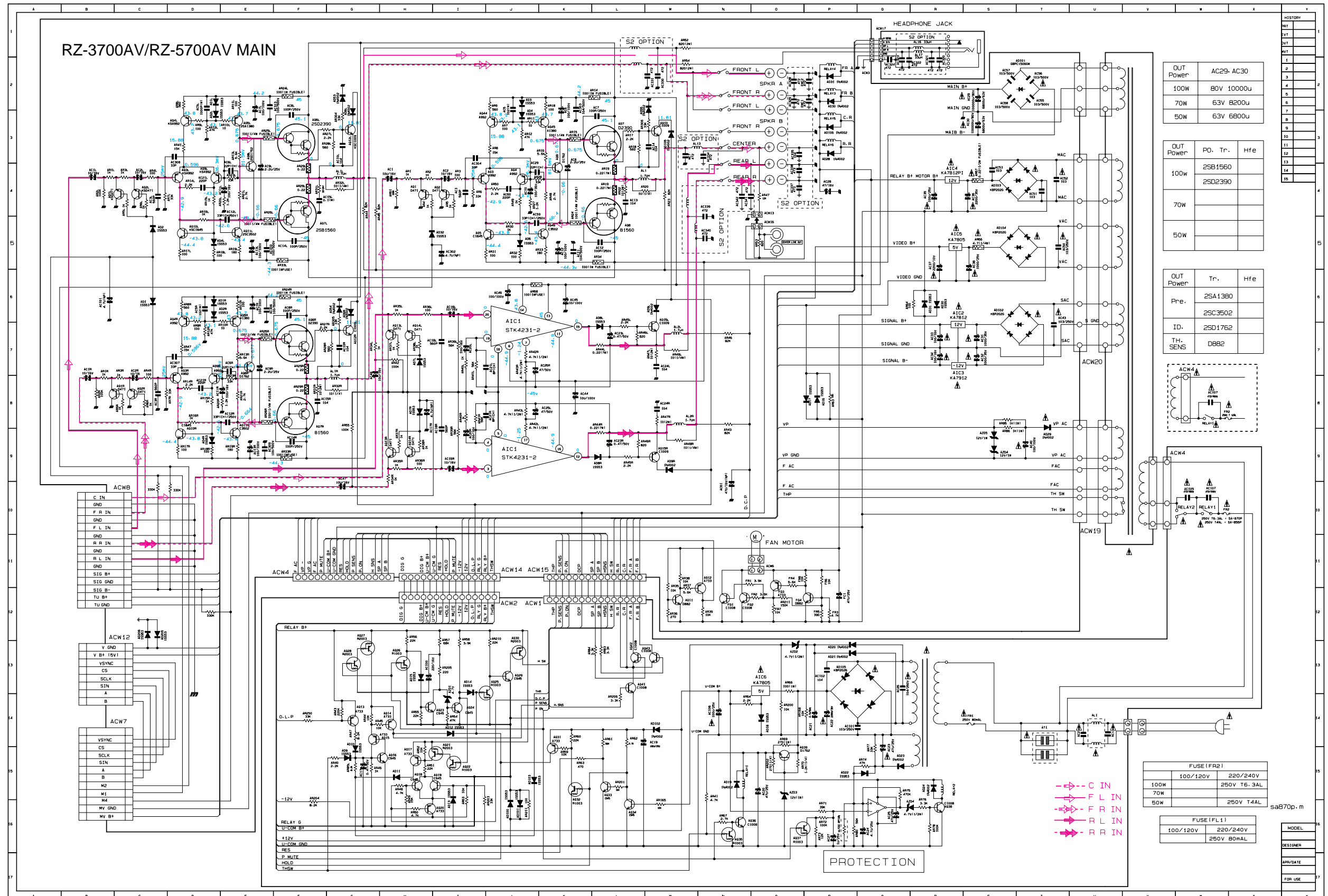
sa855p.f



RZ-7700AV FRONT

sa880a1.f

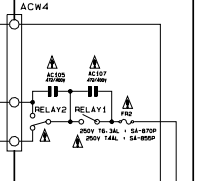
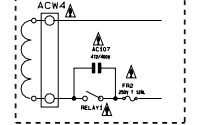
4-2 Main Part



OUT Power	AC29- AC30
100W	80V 10000u
70W	63V 8200u
50W	63V 6800u

OUT Power	P0. Tr.	Hfe
100w	2SB1560	2SD2390
70W		
50W		

OUT Power	Tr.	Hfe
Pre.	2SA1380	
ID.	2SC3502	
TH. SENS	D882	



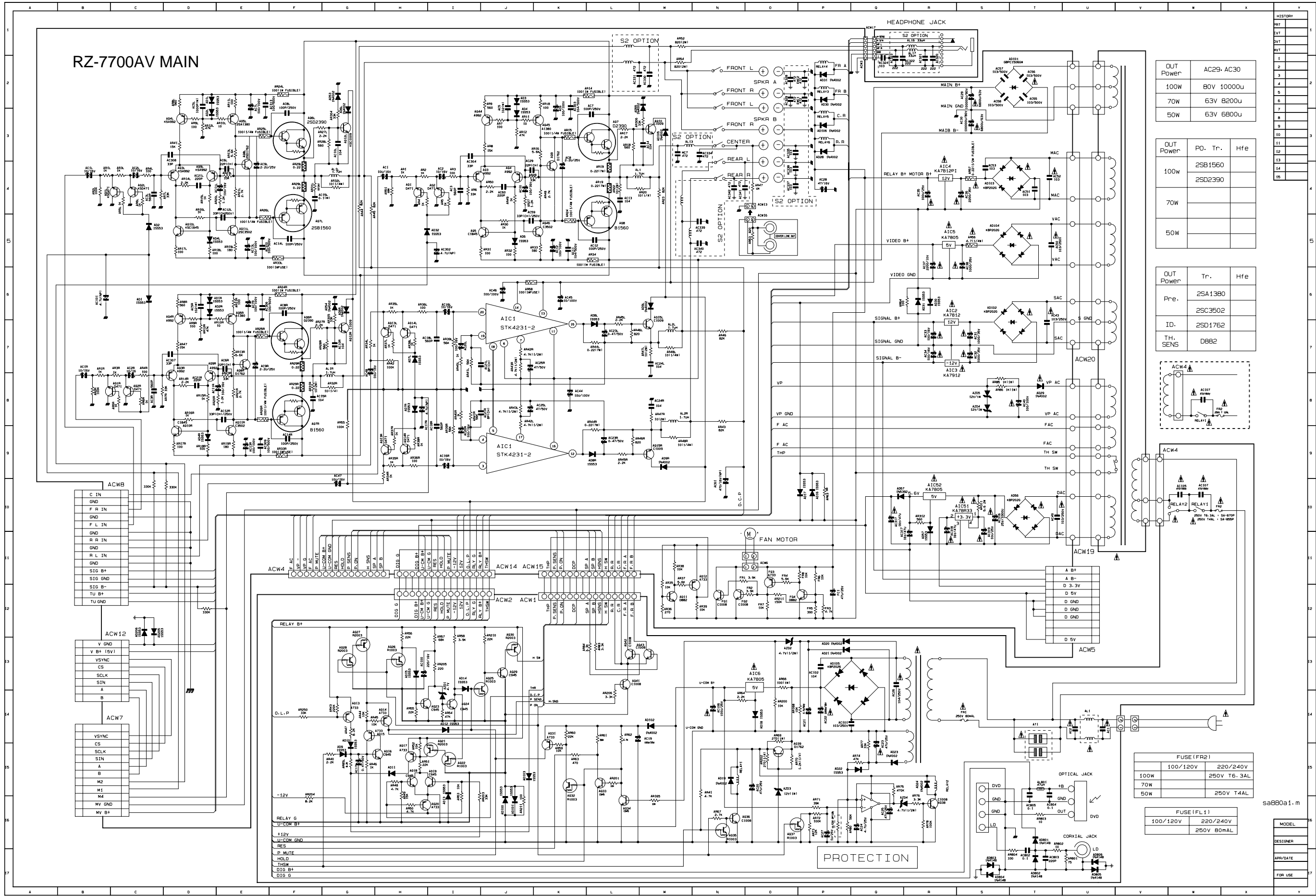
- C IN
- F L IN
- F R IN
- R L IN
- R R IN

FUSE (FR2)	
100/120V	220/240V
100W	250V T6.3AL
70W	
50W	250V T4AL

FUSE (FL1)	
100/120V	220/240V
	250V 80mA

MODEL
DESIGNER
DATE
FOR USE

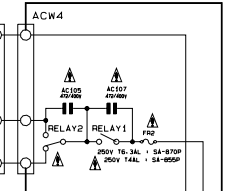
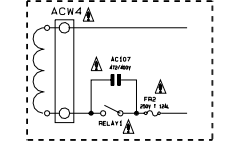
RZ-7700AV MAIN



OUT Power	AC29- AC30
100W	80V 10000u
70W	63V 8200u
50W	63V 6800u

OUT Power	Pc. Tr.	Hfe
100w	2SB1560	
	2SD2390	
70w		
50w		

OUT Power	Tr.	Hfe
Pre.	2SA1380	
	2SC3502	
ID.	2SD1762	
TH. SENS	DB82	



FUSE (FR2)	
100/120V	220/240V
100W	250V T6.3AL
70W	
50W	250V T4AL

FUSE (FL1)	
100/120V	220/240V
	250V 80MAL

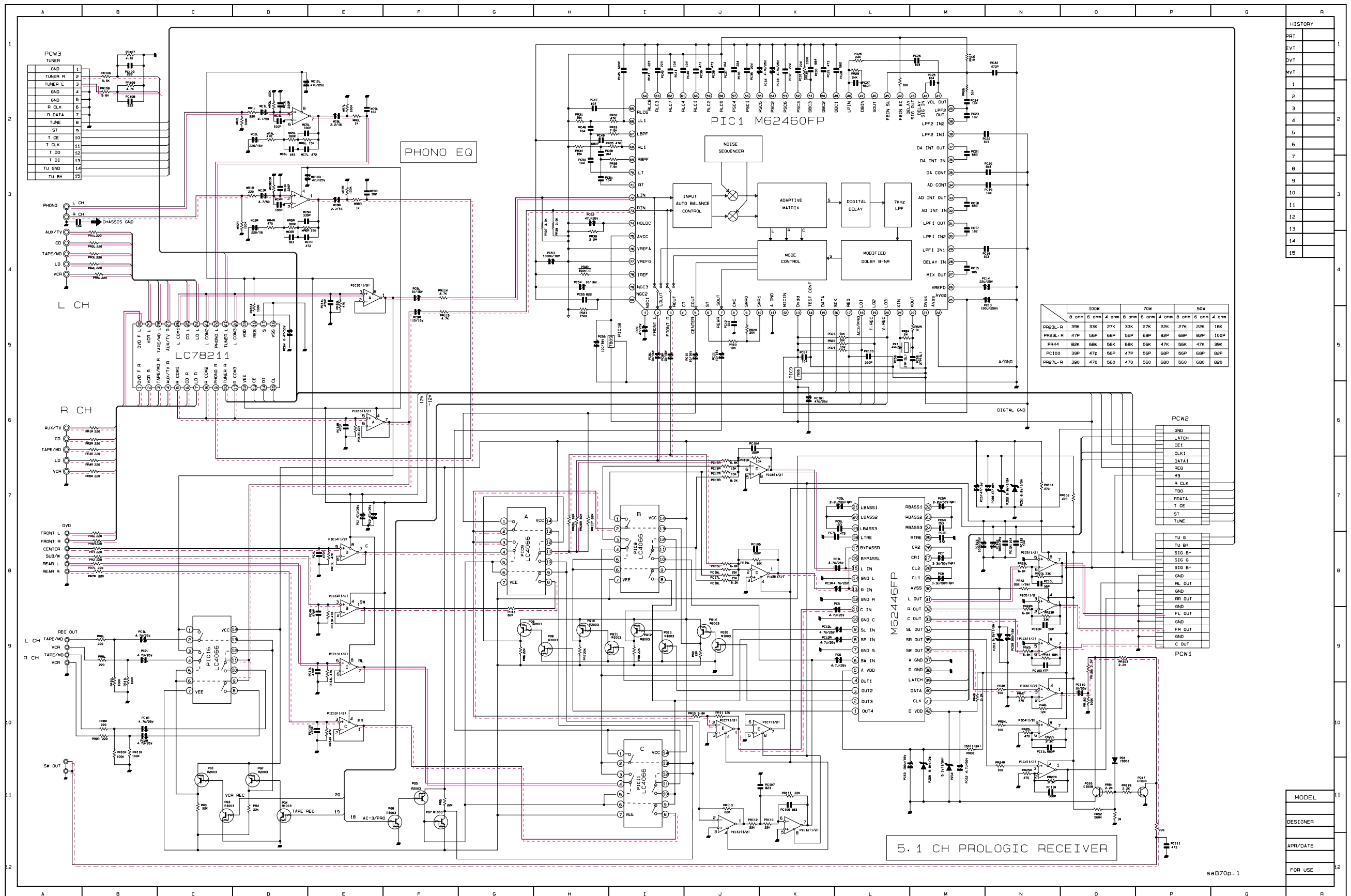
HISTORY	
REV	
BY	
DATE	
1	
2	
3	
4	
5	
6	
7	
8	
9	
10	
11	
12	
13	
14	
15	
16	
17	
18	
19	
20	
21	
22	
23	
24	
25	

sa880a1.m

MODEL	
DESIGNER	
APP/DATE	
FOR USE	

4-3 ProLogic Part(Only RZ-3700AV/RZ-5700AV)

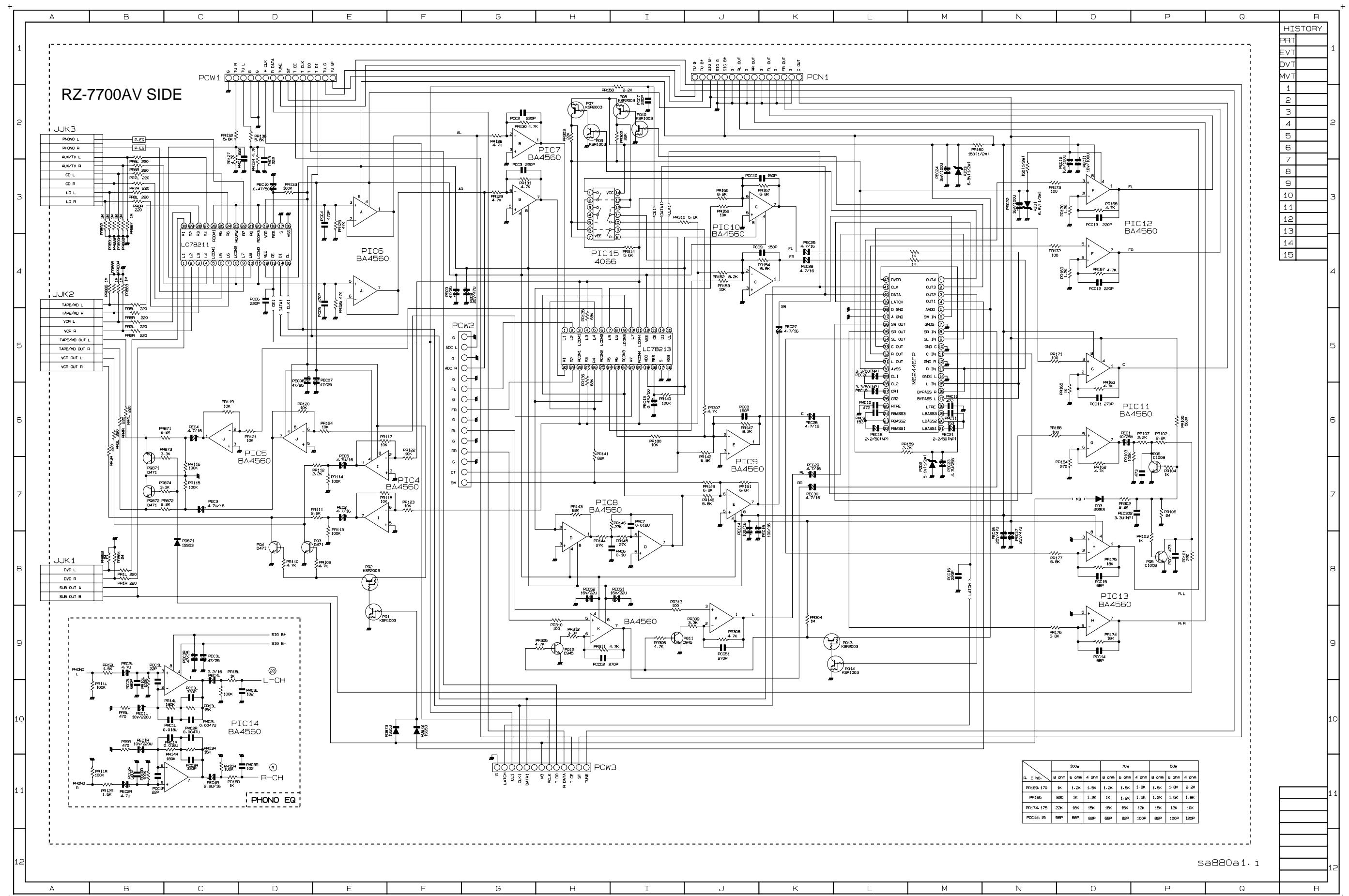
RZ-3700AV/RZ-5700AV PROLOGIC



HISTORY	
PRJ	1
EVT	1
DVT	2
MVT	2
	3
	4
	5
	6
	7
	8
	9
	10
	11
	12
	13
	14
	15

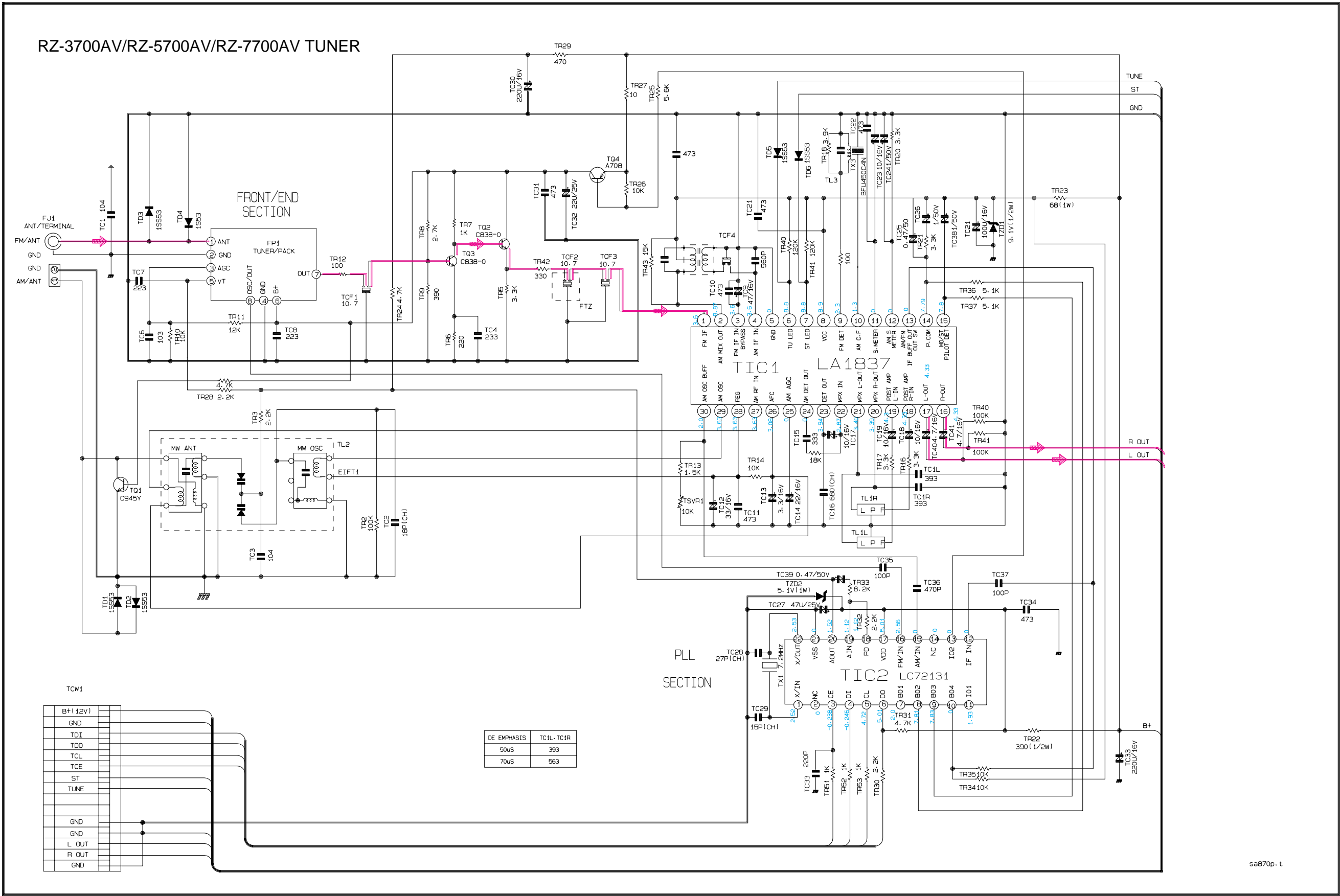
MODEL	
DESIGNER	
APPR/DATE	
FOR USE	

4-4 SIDE Part(Only RZ-7700AV)



HISTORY	
PRT	1
EVT	1
DVT	1
MVT	1
1	2
2	2
3	2
4	2
5	2
6	2
7	2
8	2
9	3
10	3
11	3
12	3
13	3
14	3
15	3

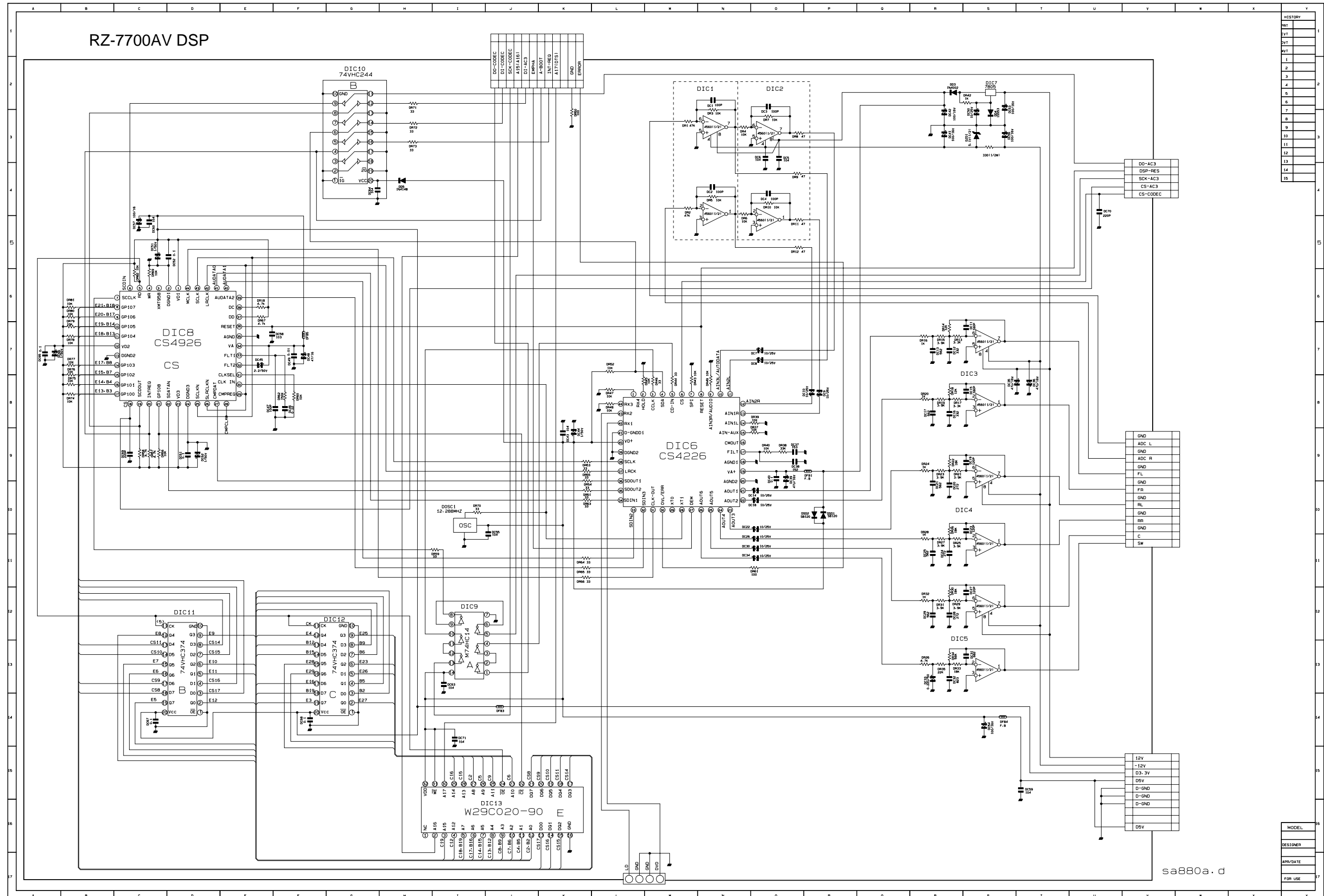
RZ-3700AV/RZ-5700AV/RZ-7700AV TUNER



DE EMPHASIS	TC1L-TC1R
50μS	393
70μS	563

sa870p.t

4-6 DSP Part(Only RZ-7700AV)

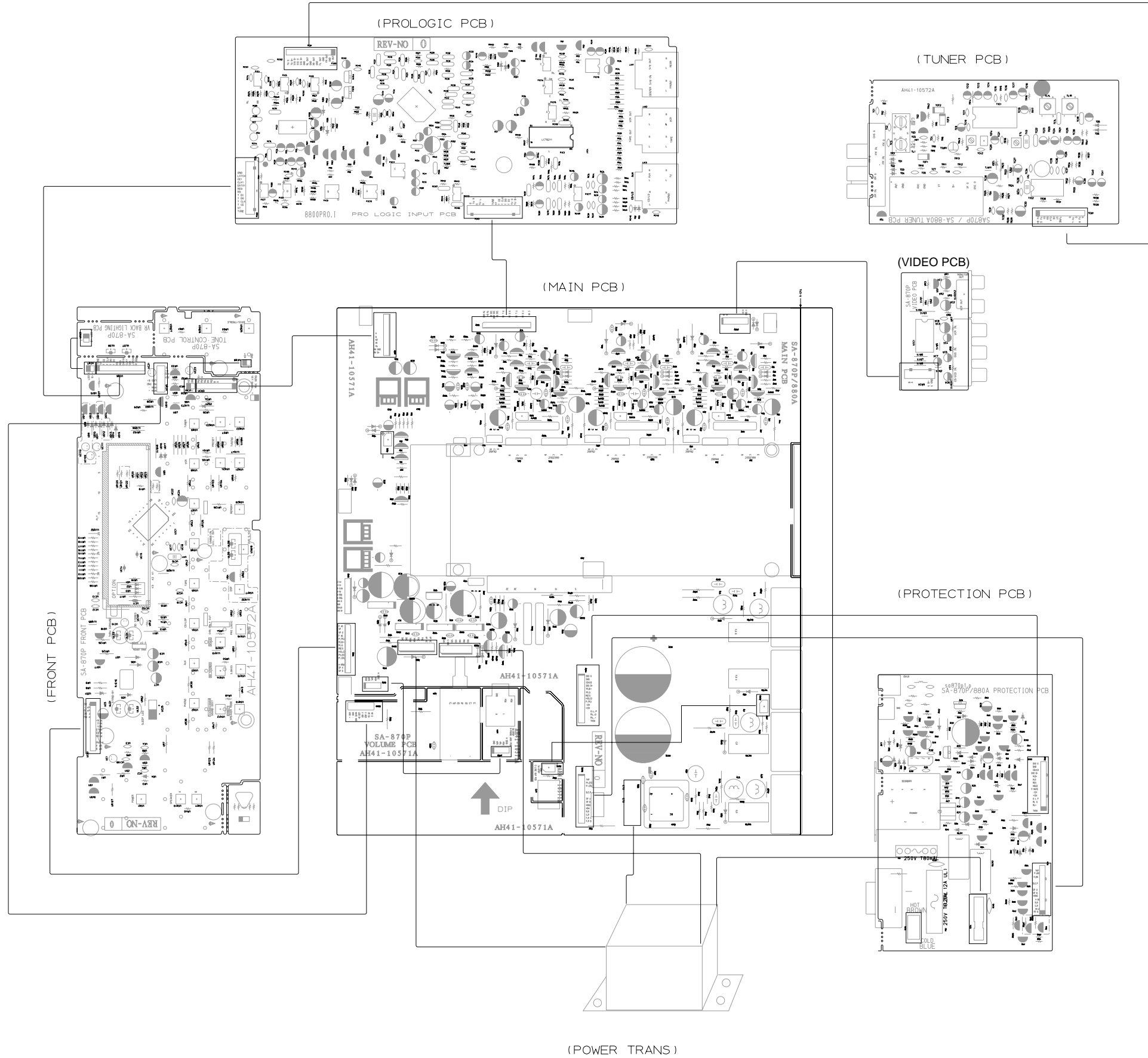


HISTORY	
REV	DESCRIPTION
1	
2	
3	
4	
5	
6	
7	
8	
9	
10	
11	
12	
13	
14	
15	

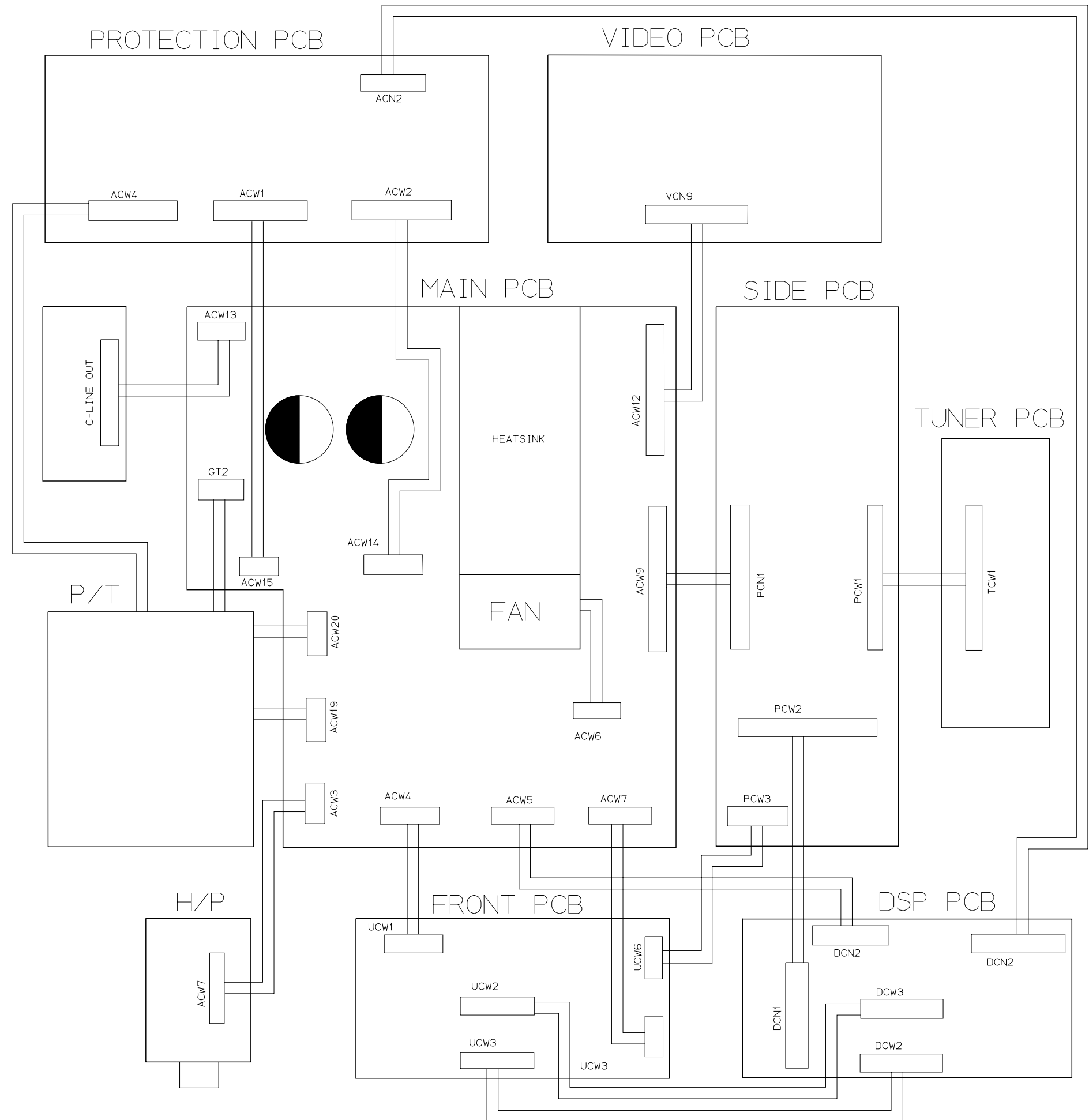
MODEL
DESIGNER
APP/DATE
FOR USE

5. Wiring Diagram

RZ-3700AV/RZ-5700AV WIRING



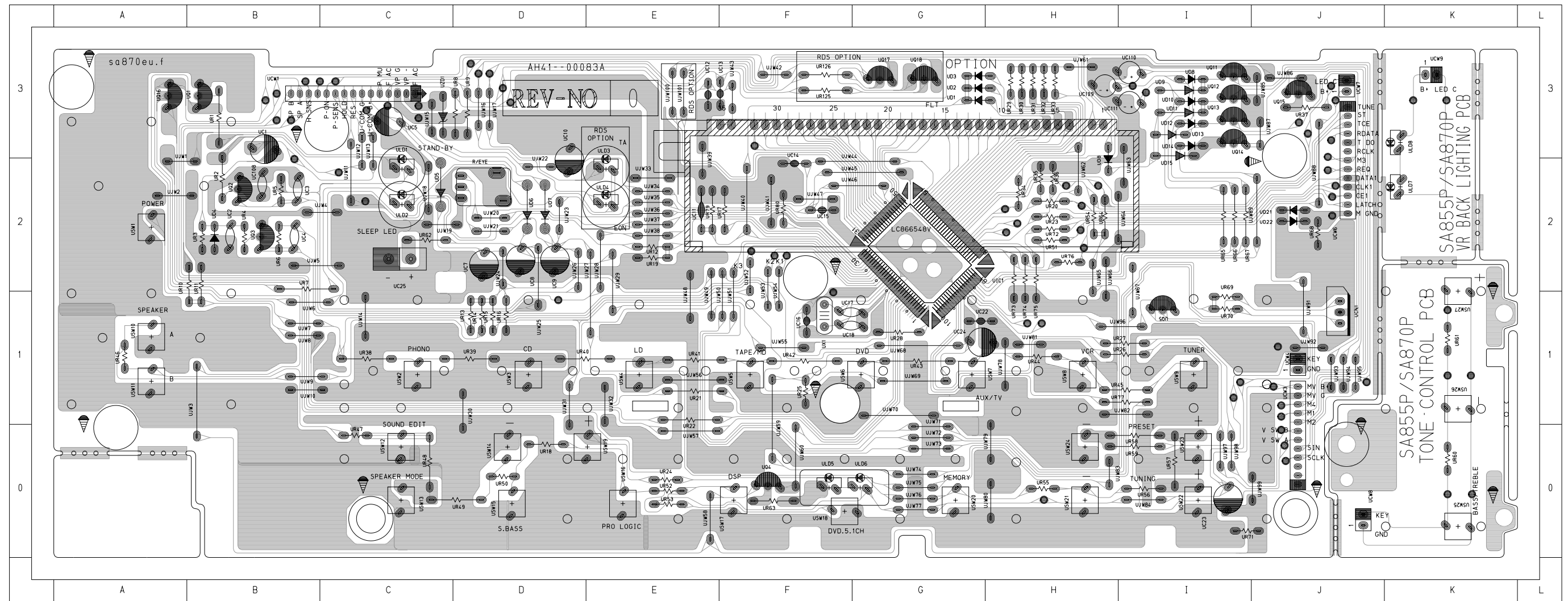
RZ-7700AV WIRING



6. Printed Circuit Board Diagram

6-1 Front PCB

RZ-3700AV/RZ-5700AV FRONT



*** CONDENSER ***

- UC1 (B3)
- UC10 (D3)
- UC108 (B2)
- UC11 (E2)
- UC12 (E3)
- UC13 (F3)
- UC14 (F2)
- UC15 (F2)
- UC16 (F1)
- UC17 (F1)
- UC18 (F1)
- UC2 (B2)
- UC22 (G1)
- UC23 (I10)
- UC24 (G1)
- UC3 (B2)
- UC4 (B2)
- UC5 (C3)
- UC7 (D2)
- UC8 (D2)
- UC9 (D2)

*** DIODE ***

- UD1 (G3)
- UD10 (I3)
- UD11 (I3)
- UD12 (I3)
- UD13 (I3)
- UD14 (I3)
- UD15 (I3)
- UD2 (G3)
- UD21 (J2)
- UD22 (J2)
- UD3 (G3)
- UD4 (B2)
- UD8 (H2)
- UD8 (I3)
- UD9 (I3)
- UZD1 (C3)

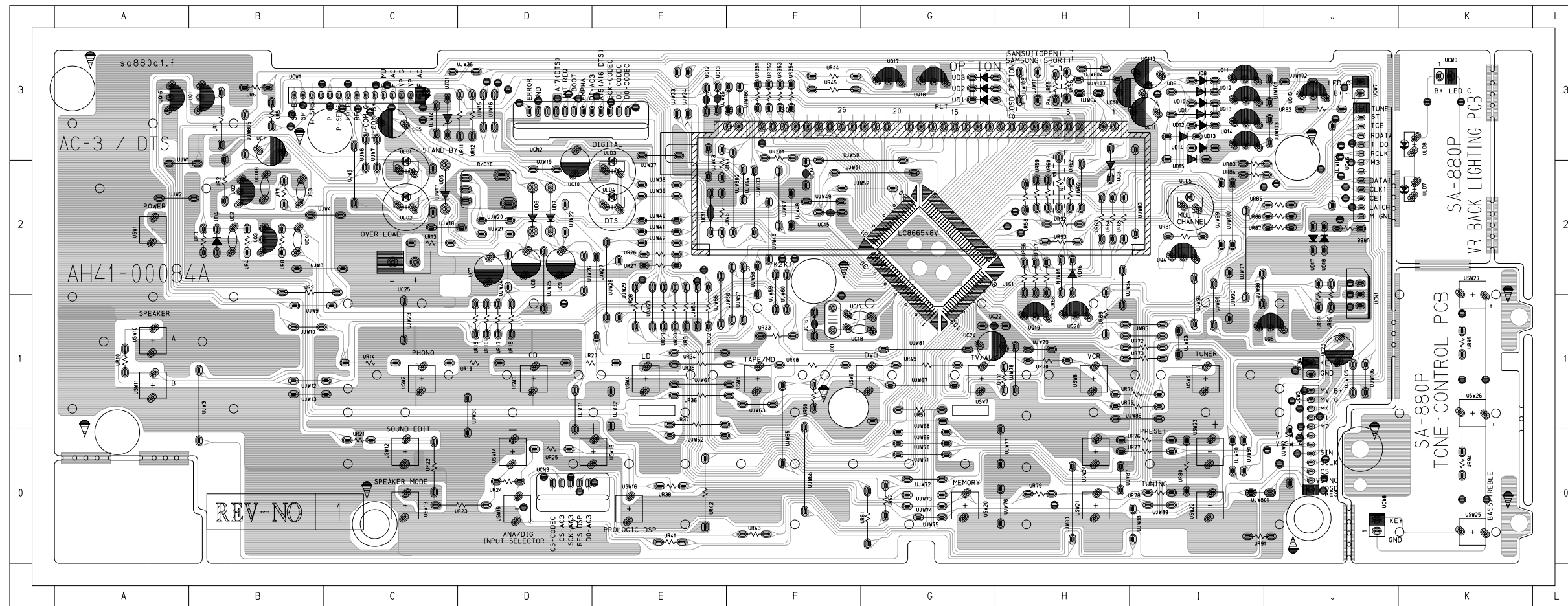
*** TR ***

- UQ1 (B3)
- UQ11 (I3)
- UQ12 (I3)
- UQ13 (I3)
- UQ14 (I3)
- UQ15 (J3)
- UQ16 (A3)
- UQ17 (G3)
- UQ18 (G3)
- UQ2 (B2)
- UQ3 (B2)
- UQ4 (F0)
- UQ5 (I1)

*** IC&WAFER ***

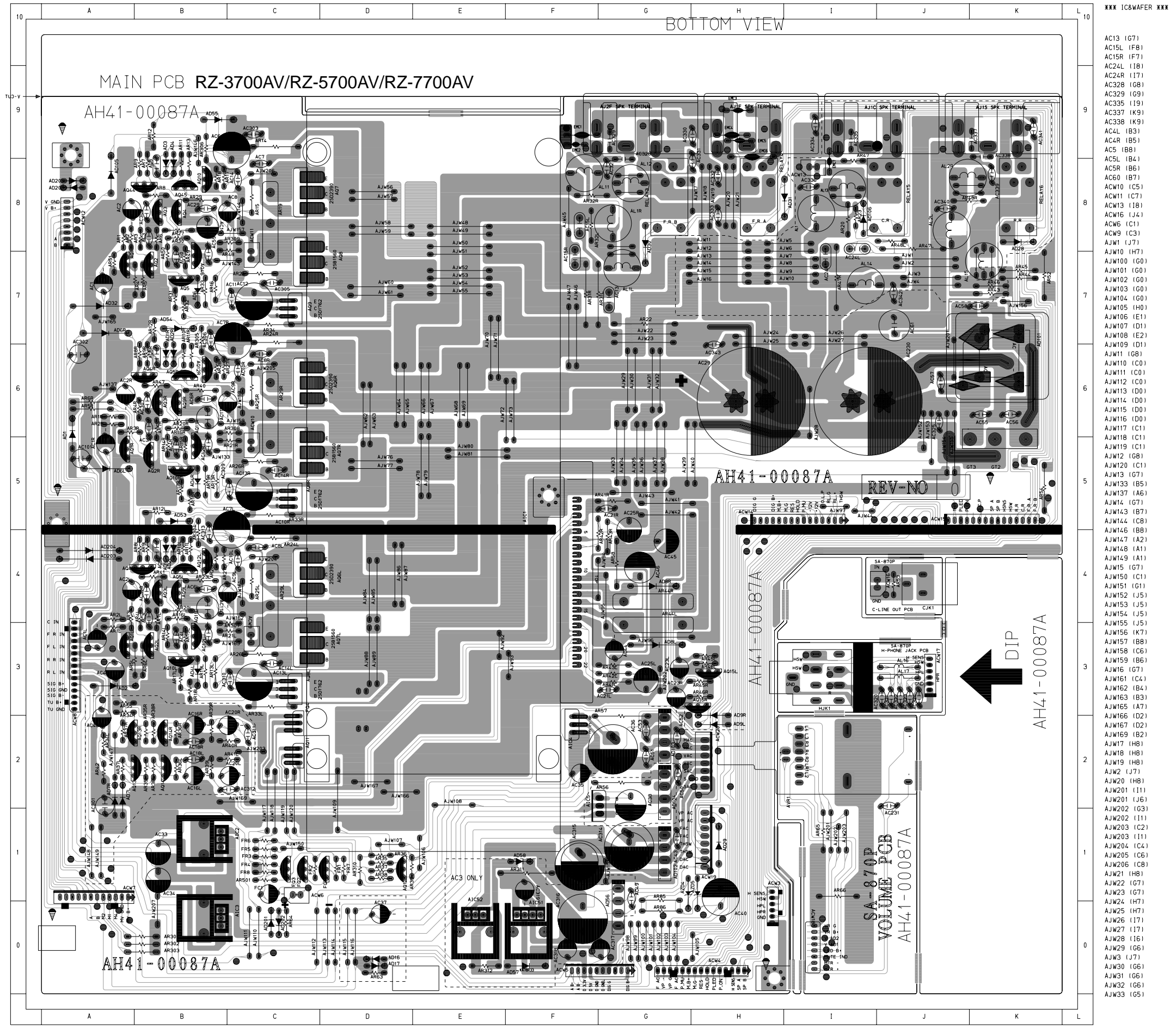
- UCN1 (J1)
- UCW1 (C3)
- UCW3 (J0)
- UCW4 (J1)
- UCW6 (J2)
- UCW7 (J3)
- UCW8 (J0)
- UCW9 (K3)
- USW1 (A2)
- USW10 (A1)
- USW11 (A1)
- USW12 (C0)
- USW13 (C0)
- USW14 (D0)
- USW15 (D0)
- USW16 (E0)
- USW17 (F0)
- USW18 (F0)
- USW19 (E0)
- USW2 (C1)
- USW20 (G0)
- USW21 (H0)
- USW22 (I0)
- USW23 (I0)
- USW24 (H0)
- USW25 (K0)
- USW26 (K1)
- USW27 (K2)
- USW3 (D1)
- USW4 (E1)
- USW5 (F1)
- USW6 (G1)
- USW7 (G1)
- USW8 (H1)
- USW9 (I1)

RZ-7700AV FRONT



- | | |
|---------------|------------------|
| *** DIODE *** | *** IC&WAFER *** |
| UD1 (G3) | UCN1 (J2) |
| UD10 (I3) | UCW1 (C3) |
| UD11 (I3) | UCW3 (J0) |
| UD12 (I3) | UCW4 (J1) |
| UD13 (I3) | UCW6 (J2) |
| UD14 (I3) | UCW7 (J3) |
| UD15 (I3) | UCW8 (J0) |
| UD16 (H2) | UCW9 (K3) |
| UD17 (J2) | USW1 (A2) |
| UD18 (J2) | USW10 (A1) |
| UD2 (G3) | USW11 (A1) |
| UD3 (G3) | USW12 (C0) |
| UD4 (B2) | USW13 (C0) |
| UD8 (H2) | USW14 (D0) |
| UD8 (I3) | USW15 (D0) |
| UD9 (I3) | USW16 (E0) |
| UZD1 (C3) | USW19 (E0) |
| | USW2 (C1) |
| | USW20 (G0) |
| | USW21 (H0) |
| | USW22 (I0) |
| | USW23 (I0) |
| | USW24 (H0) |
| | USW25 (K0) |
| | USW26 (K1) |
| | USW27 (K2) |
| | USW3 (D1) |
| | USW4 (E1) |
| | USW5 (F1) |
| | USW6 (G1) |
| | USW7 (G1) |
| | USW8 (H1) |
| | USW9 (I1) |
| *** TR *** | |
| UQ1 (B3) | |
| UQ11 (I3) | |
| UQ12 (I3) | |
| UQ13 (I3) | |
| UQ14 (I3) | |
| UQ15 (J3) | |
| UQ16 (A3) | |
| UQ17 (G3) | |
| UQ18 (G3) | |
| UQ19 (H1) | |
| UQ2 (B2) | |
| UQ20 (H1) | |
| UQ3 (B2) | |
| UQ4 (I2) | |
| UQ5 (I1) | |

6-2 Main PCB(RZ-3700AV/RZ-5700AV/RZ-7700AV)



- XXXX IC&WAFER XXXX
- AC13 (G7)
 - AC15L (F8)
 - AC15R (F7)
 - AC24L (I8)
 - AC24R (I7)
 - AC328 (G8)
 - AC329 (G9)
 - AC335 (I9)
 - AC337 (K9)
 - AC338 (K9)
 - AC4L (B3)
 - AC4R (B5)
 - AC5 (B8)
 - AC5L (B4)
 - AC5R (B6)
 - AC60 (B7)
 - ACW10 (C5)
 - ACW11 (C7)
 - ACW13 (I8)
 - ACW16 (J4)
 - ACW6 (C1)
 - ACW9 (C3)
 - AJW1 (J7)
 - AJW10 (H7)
 - AJW100 (G0)
 - AJW101 (G0)
 - AJW102 (G0)
 - AJW103 (G0)
 - AJW104 (G0)
 - AJW105 (H0)
 - AJW106 (E1)
 - AJW107 (D1)
 - AJW108 (E2)
 - AJW109 (D1)
 - AJW11 (G8)
 - AJW110 (C0)
 - AJW111 (C0)
 - AJW112 (C0)
 - AJW113 (D0)
 - AJW114 (D0)
 - AJW115 (D0)
 - AJW116 (D0)
 - AJW117 (C1)
 - AJW118 (C1)
 - AJW119 (C1)
 - AJW12 (G8)
 - AJW120 (C1)
 - AJW13 (G7)
 - AJW133 (B5)
 - AJW137 (A6)
 - AJW14 (G7)
 - AJW143 (B7)
 - AJW144 (C8)
 - AJW146 (B8)
 - AJW147 (A2)
 - AJW148 (A1)
 - AJW149 (A1)
 - AJW15 (G7)
 - AJW150 (C1)
 - AJW151 (G1)
 - AJW152 (J5)
 - AJW153 (J5)
 - AJW154 (J5)
 - AJW155 (J5)
 - AJW156 (K7)
 - AJW157 (B8)
 - AJW158 (C6)
 - AJW159 (B6)
 - AJW16 (G7)
 - AJW161 (C4)
 - AJW162 (B4)
 - AJW163 (B3)
 - AJW165 (A7)
 - AJW166 (D2)
 - AJW167 (D2)
 - AJW169 (B2)
 - AJW17 (H8)
 - AJW18 (H8)
 - AJW19 (H8)
 - AJW2 (J7)
 - AJW20 (H8)
 - AJW201 (I1)
 - AJW201 (J6)
 - AJW202 (G3)
 - AJW202 (I1)
 - AJW203 (C2)
 - AJW203 (I1)
 - AJW204 (C4)
 - AJW205 (C6)
 - AJW206 (C8)
 - AJW21 (H8)
 - AJW22 (G7)
 - AJW23 (G7)
 - AJW24 (H7)
 - AJW25 (H7)
 - AJW26 (I7)
 - AJW27 (I7)
 - AJW28 (I6)
 - AJW29 (G6)
 - AJW3 (J7)
 - AJW30 (G6)
 - AJW31 (G6)
 - AJW32 (G6)
 - AJW33 (G5)
 - AJW34 (G5)
 - AJW35 (G5)
 - AJW36 (G5)
 - AJW37 (G5)
 - AJW38 (G5)
 - AJW39 (G5)
 - AJW4 (J7)
 - AJW40 (H5)
 - AJW41 (G5)
 - AJW42 (G5)
 - AJW43 (G5)
 - AJW44 (I5)
 - AJW45 (F8)
 - AJW46 (F6)
 - AJW47 (F6)
 - AJW48 (E8)
 - AJW49 (E8)
 - AJW5 (H8)
 - AJW50 (E8)
 - AJW51 (E7)
 - AJW52 (E7)
 - AJW53 (E7)
 - AJW54 (E7)
 - AJW55 (E7)
 - AJW56 (D8)
 - AJW57 (D8)
 - AJW58 (D8)
 - AJW59 (D8)
 - AJW6 (H8)
 - AJW60 (D7)
 - AJW61 (D7)
 - AJW62 (D5)
 - AJW63 (D5)
 - AJW64 (D6)
 - AJW65 (D6)
 - AJW66 (E6)
 - AJW67 (E6)
 - AJW68 (E6)
 - AJW69 (E6)
 - AJW7 (H7)
 - AJW70 (E6)
 - AJW71 (E6)
 - AJW72 (F5)
 - AJW73 (F5)
 - AJW76 (D5)
 - AJW77 (D5)
 - AJW78 (E5)
 - AJW79 (E5)
 - AJW8 (H7)
 - AJW80 (E5)
 - AJW81 (E5)
 - AJW84 (D4)
 - AJW85 (D4)
 - AJW86 (D4)
 - AJW87 (D4)
 - AJW88 (D3)
 - AJW89 (D3)
 - AJW9 (H7)
 - AJW92 (E3)
 - AJW93 (F3)
 - AJW94 (G4)
 - AJW95 (G3)
 - AJW96 (G3)
 - AJW97 (I5)
 - AJW98 (G0)
 - AJW99 (G0)

6-3 Tuner PCB(RZ-3700AV/RZ-5700AV/RZ-7700AV)



*** DIODE ***

- TD1 (A1)
- TD2 (A1)
- TD3 (A1)
- TD4 (A1)
- TD5 (E2)
- TD6 (E1)
- TD7 (A2)
- TD8 (A2)
- TZD1 (C1)
- TZD2 (D1)

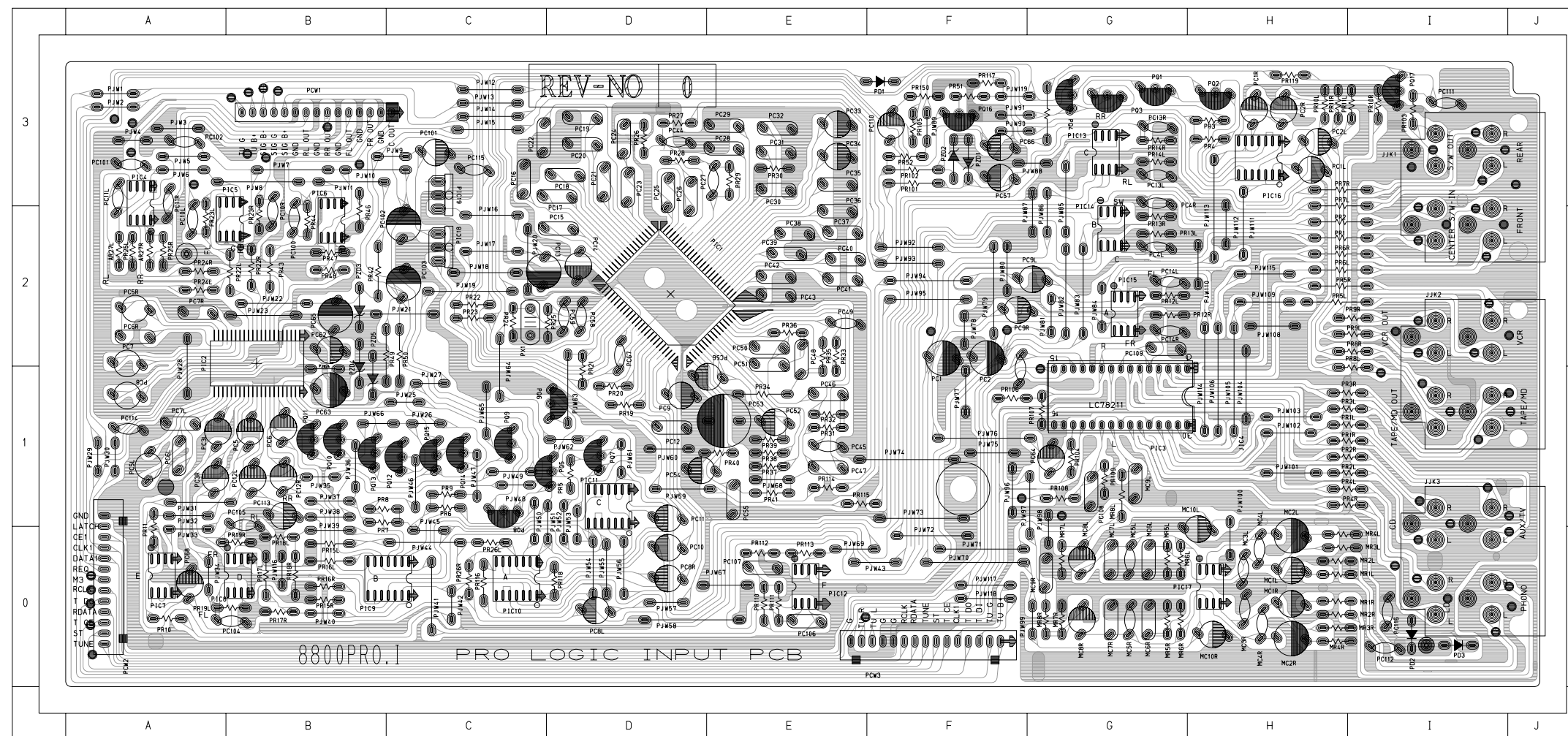
*** TR ***

- TQ1 (A0)
- TQ2 (B2)
- TQ3 (B1)
- TQ4 (C0)

*** IC&WAFER ***

- TCF4 (C1)
- TCW1 (D0)
- TL2 (C1)
- TL3 (C1)

6-4 Pro-Logic PCB(only RZ-3700AV/RZ-5700AV)



*** DIODE ***

- PD1 (F3)
- PD2 (I0)
- PD3 (I0)
- PZD1 (F3)
- PZD2 (F3)
- PZD3 (B2)
- PZD4 (B1)
- PZD5 (B1)

*** TR ***

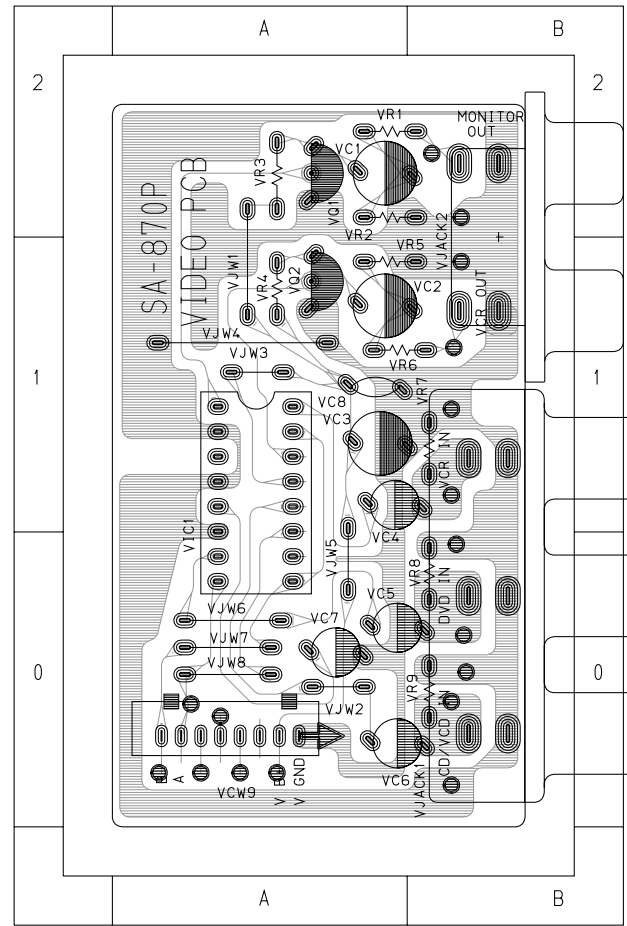
- PQ1 (G3)
- PQ10 (B1)
- PQ11 (B1)
- PQ12 (C1)
- PQ13 (B1)
- PQ14 (C1)
- PQ15 (C1)
- PQ16 (F3)
- PQ17 (I3)
- PQ2 (H3)
- PQ3 (G3)
- PQ4 (G3)
- PQ5 (D1)
- PQ6 (D1)
- PQ7 (D1)
- PQ8 (C1)
- PQ9 (C1)

*** IC&WAFER ***

- PCW1 (B3)
- PCW2 (A0)
- PCW3 (F0)

6-5 Video PCB

RZ-3700AV/RZ-5700AV VIDEO



*** CONDENSER ***

- VC1 (A2)
- VC2 (A1)
- VC3 (A1)
- VC4 (A1)
- VC5 (A0)
- VC6 (A0)
- VC7 (A0)
- VC8 (A1)

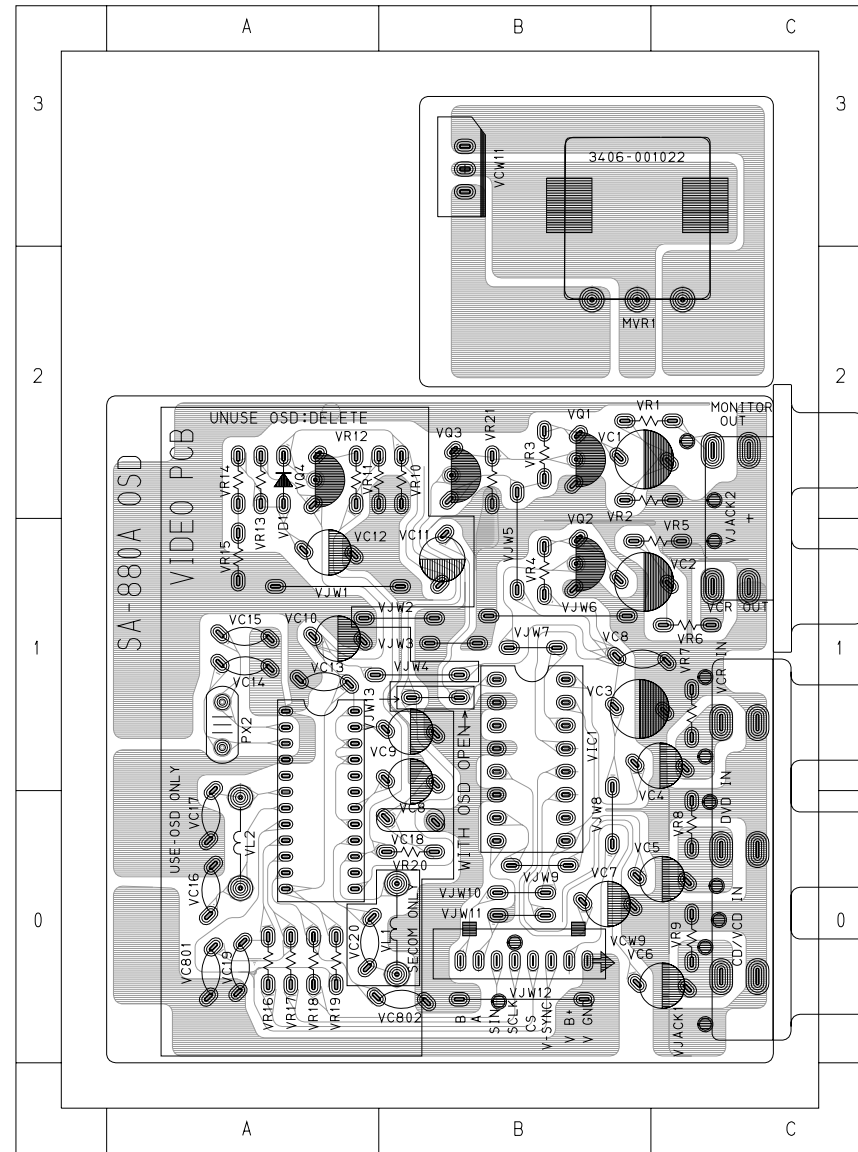
*** TR ***

- VQ1 (A2)
- VQ2 (A1)

*** IC&WAFER ***

- VCW9 (A0)
- VIC1 (A1)

RZ-7700AV VIDEO



*** DIODE ***

- VD1 (A2)

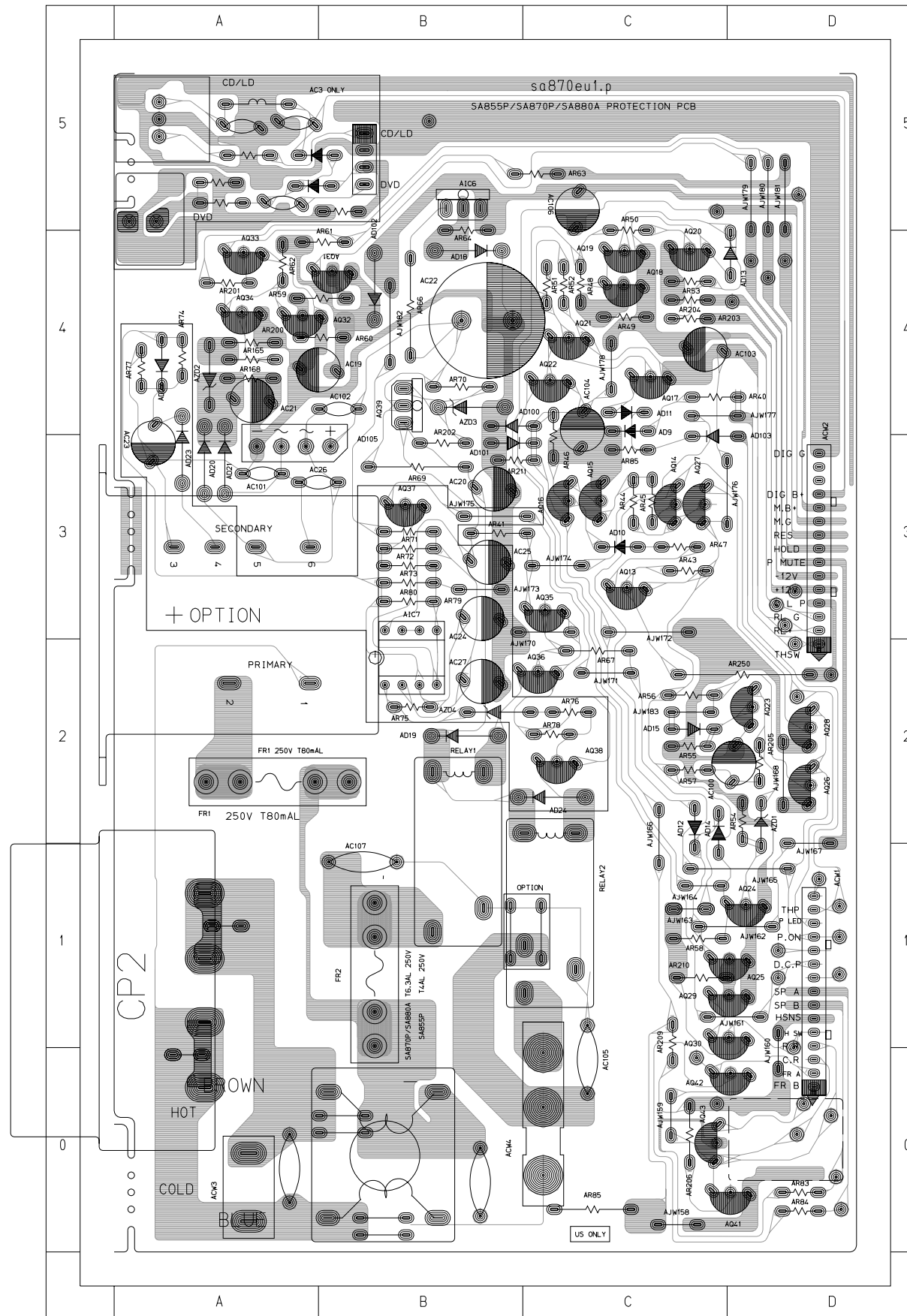
*** TR ***

- VQ1 (B2)
- VQ2 (B1)
- VQ3 (B2)
- VQ4 (A2)

*** IC&WAFER ***

- * (A1)
- VCW11 (B3)
- VCW9 (B0)
- VIC1 (B1)

6-6 Protection PCB(RZ-3700AV/RZ-5700AV/RZ-7700AV)



*** CONDENSER ***

- AC100 (D2)
- AC101 (A3)
- AC102 (B4)
- AC103 (C4)
- AC104 (C3)
- AC106 (C5)
- AC19 (B4)
- AC20 (B3)
- AC21 (A4)
- AC23 (A4)
- AC24 (B3)
- AC25 (B3)
- AC26 (A3)
- AC27 (B2)

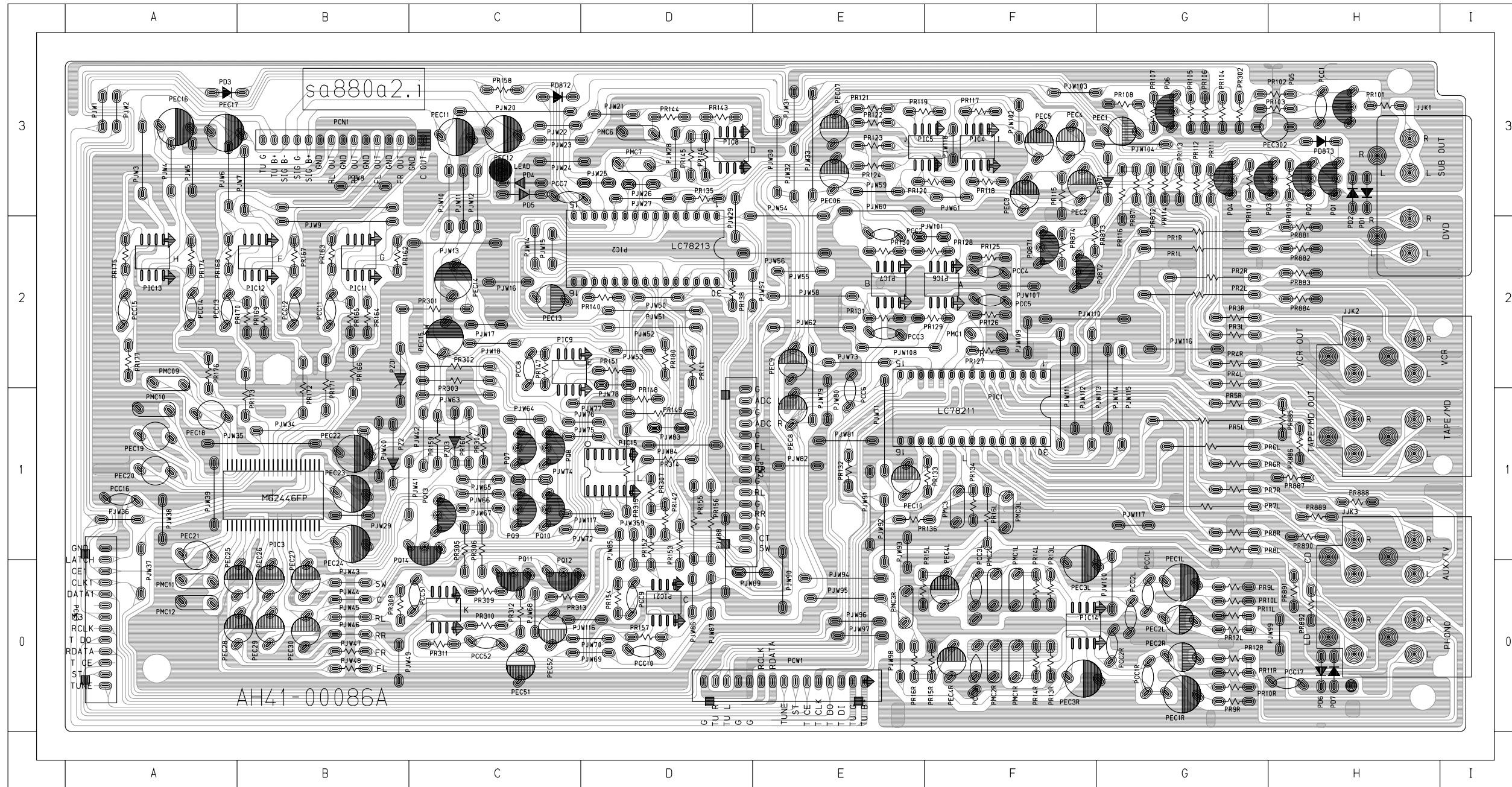
*** TR ***

- AQ13 (C3)
- AQ14 (C3)
- AQ15 (C3)
- AQ16 (C3)
- AQ17 (C4)
- AQ18 (C4)
- AQ19 (C4)
- AQ20 (C4)
- AQ21 (C4)
- AQ22 (C4)
- AQ23 (D2)
- AQ24 (D1)
- AQ25 (D1)
- AQ26 (D2)
- AQ27 (C3)
- AQ28 (D2)
- AQ29 (D1)
- AQ30 (D1)
- AQ31 (B4)
- AQ32 (B4)
- AQ33 (A4)
- AQ34 (A4)
- AQ35 (C3)
- AQ36 (C2)
- AQ37 (B3)
- AQ38 (C2)
- AQ41 (D0)
- AQ42 (D0)
- AQ43 (C0)

*** DIODE ***

- AD10 (C3)
- AD100 (B4)
- AD101 (C3)
- AD102 (B4)
- AD103 (C3)
- AD11 (C4)
- AD12 (C1)
- AD13 (D5)
- AD14 (C2)
- AD15 (C2)
- AD18 (B4)
- AD19 (B2)
- AD20 (A4)
- AD21 (A4)
- AD22 (A4)
- AD23 (A4)
- AD24 (B2)
- AD9 (C4)
- AZD1 (D2)
- AZD2 (A4)
- AZD3 (B4)
- AZD4 (B2)

6-7 SIDE PCB(only RZ-7700AV)



*** DIODE ***

- PD1 (H3)
- PD2 (H3)
- PD3 (B3)
- PD4 (C3)
- PD5 (C3)
- PD6 (H0)
- PD7 (H0)
- PD871 (G3)
- PD872 (C3)
- PD873 (H3)
- PZ2 (B1)
- PZD1 (B1)
- PZD3 (C1)

*** TR ***

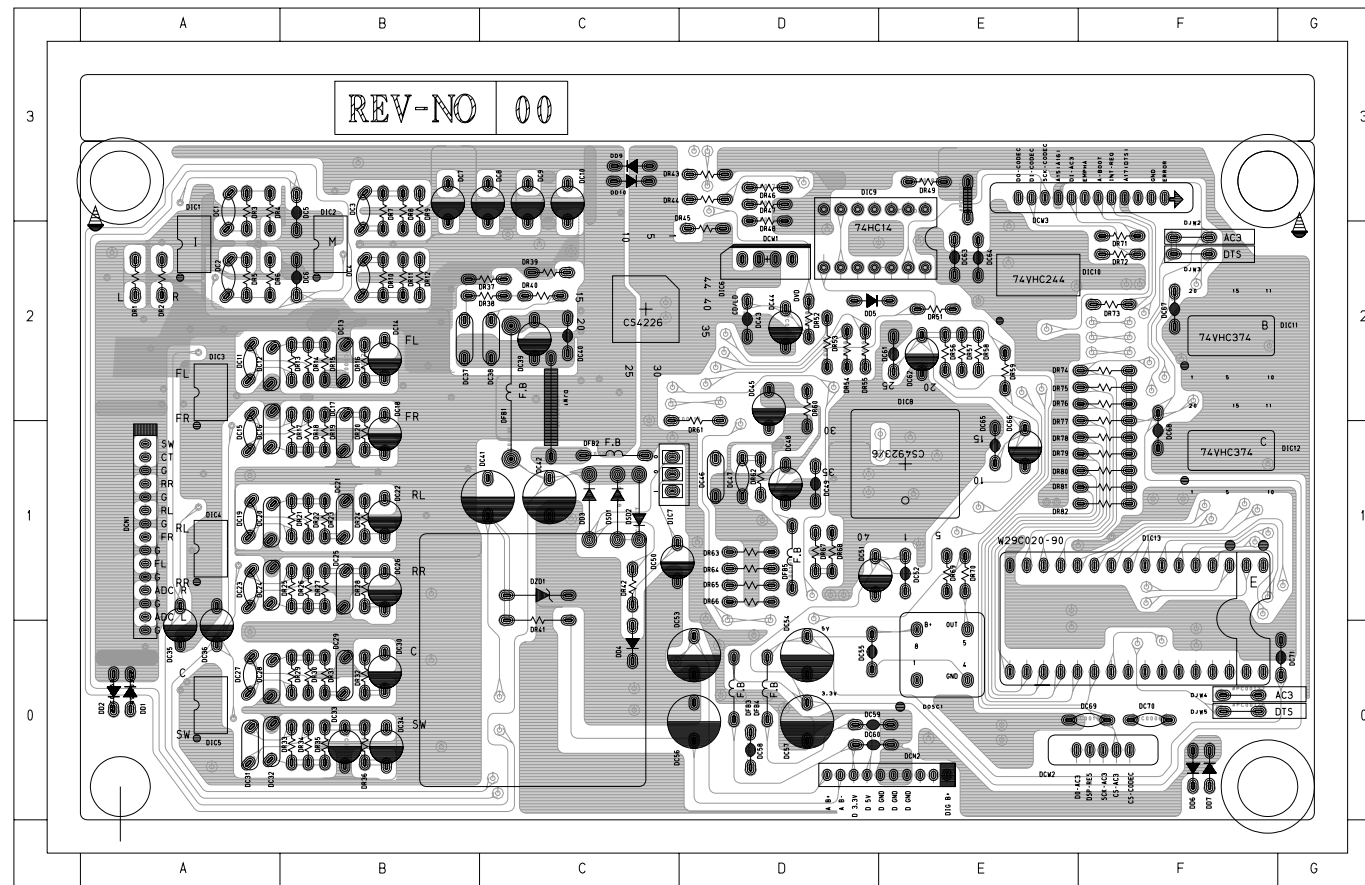
- * (H3)
- PQ1 (H3)
- PQ10 (C1)
- PQ11 (C0)
- PQ12 (C0)
- PQ13 (C1)
- PQ14 (C1)
- PQ2 (H3)
- PQ3 (H3)
- PQ4 (G3)
- PQ6 (G3)
- PQ7 (C1)
- PQ8 (C1)
- PQ871 (F2)
- PQ872 (F2)
- PQ9 (C1)

*** IC&WAFER ***

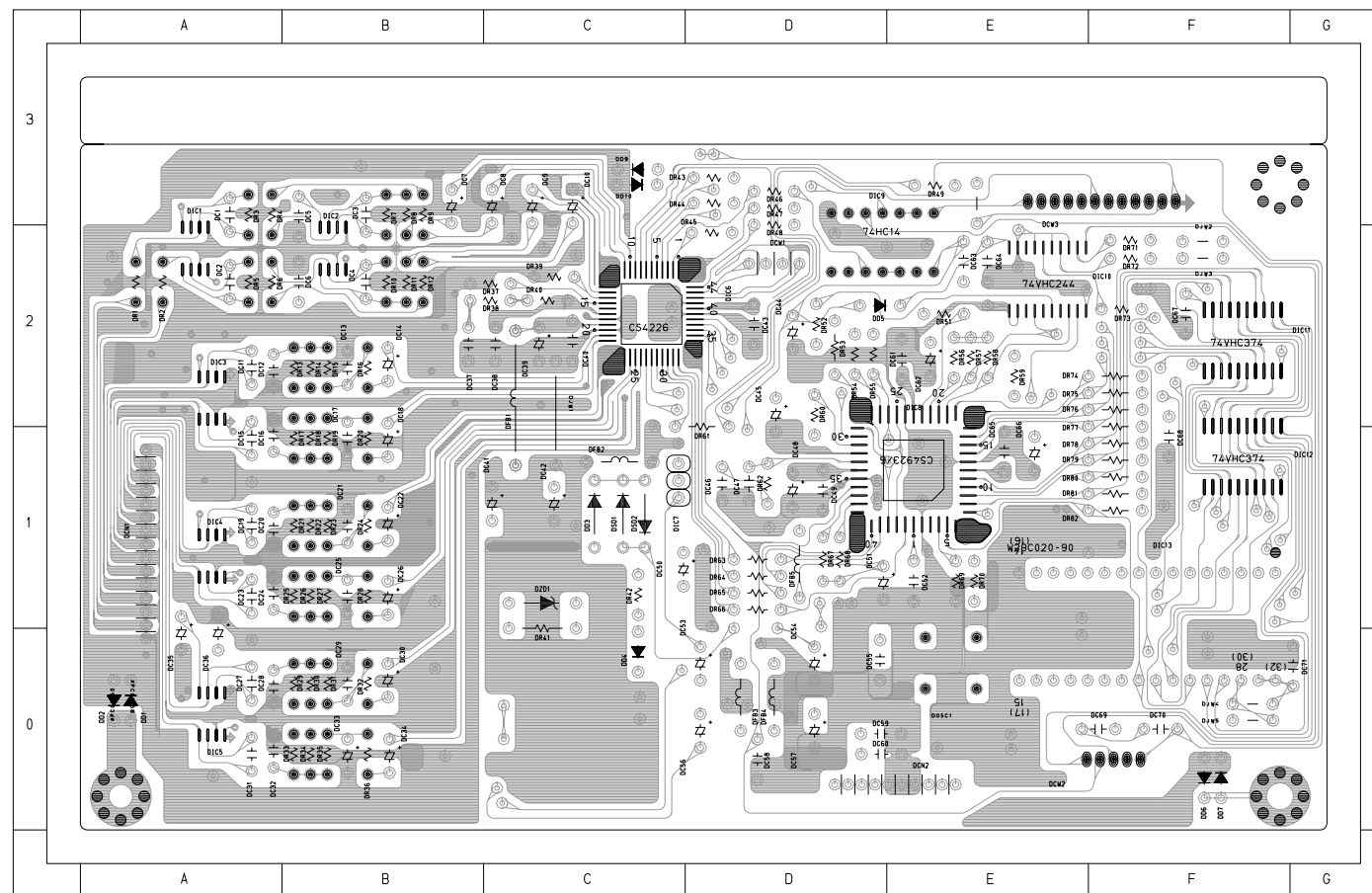
- PCN1 (B3)
- PCW1 (E0)
- PCW2 (D1)
- PCW3 (A0)

6-8 DSP PCB(only RZ-7700AV)

*TOP VIEW

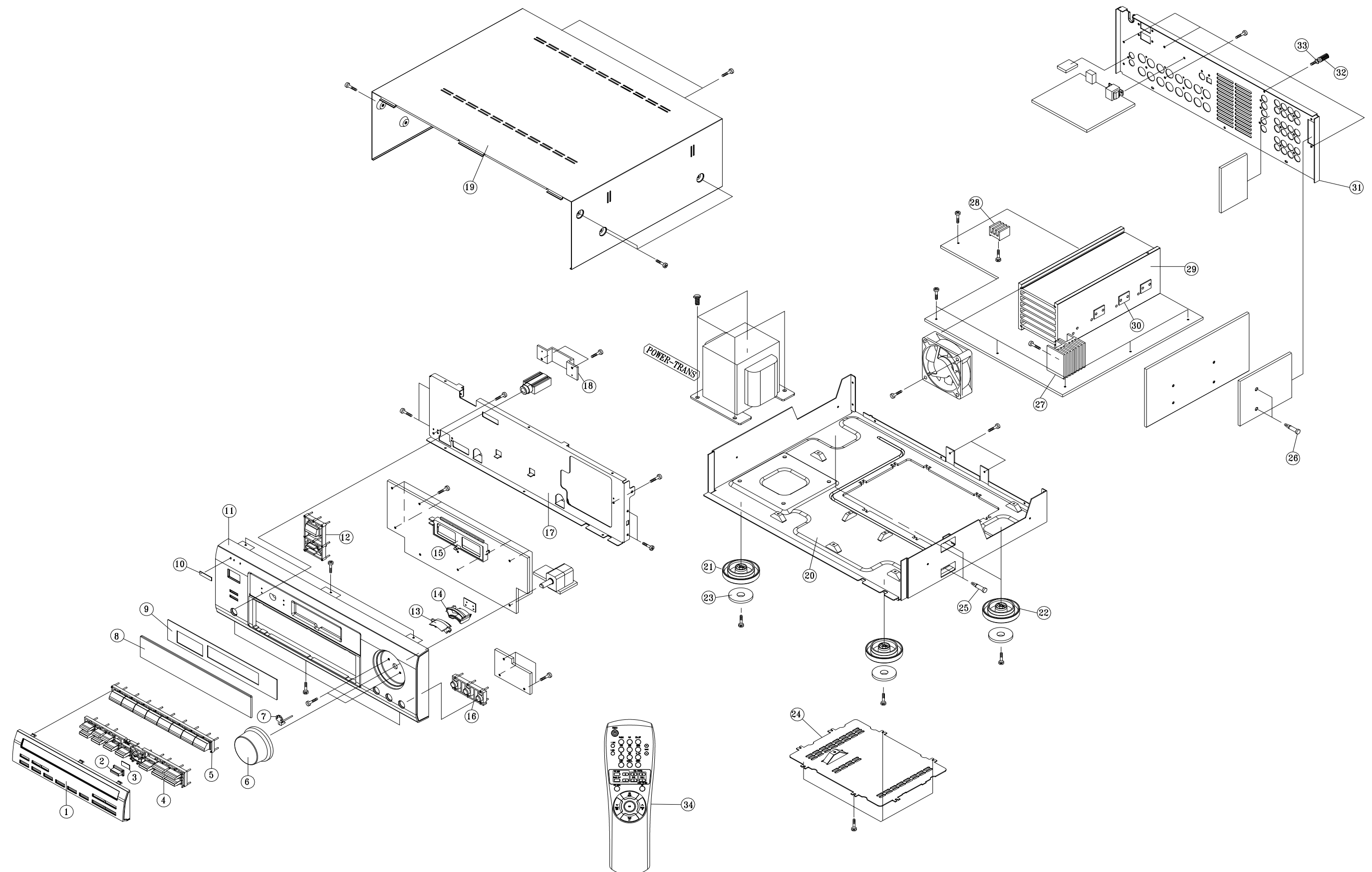


*BOTTOM VIEW



7. Exploded Views and Parts List

7-1 RZ-3700AV/RZ-5700AV

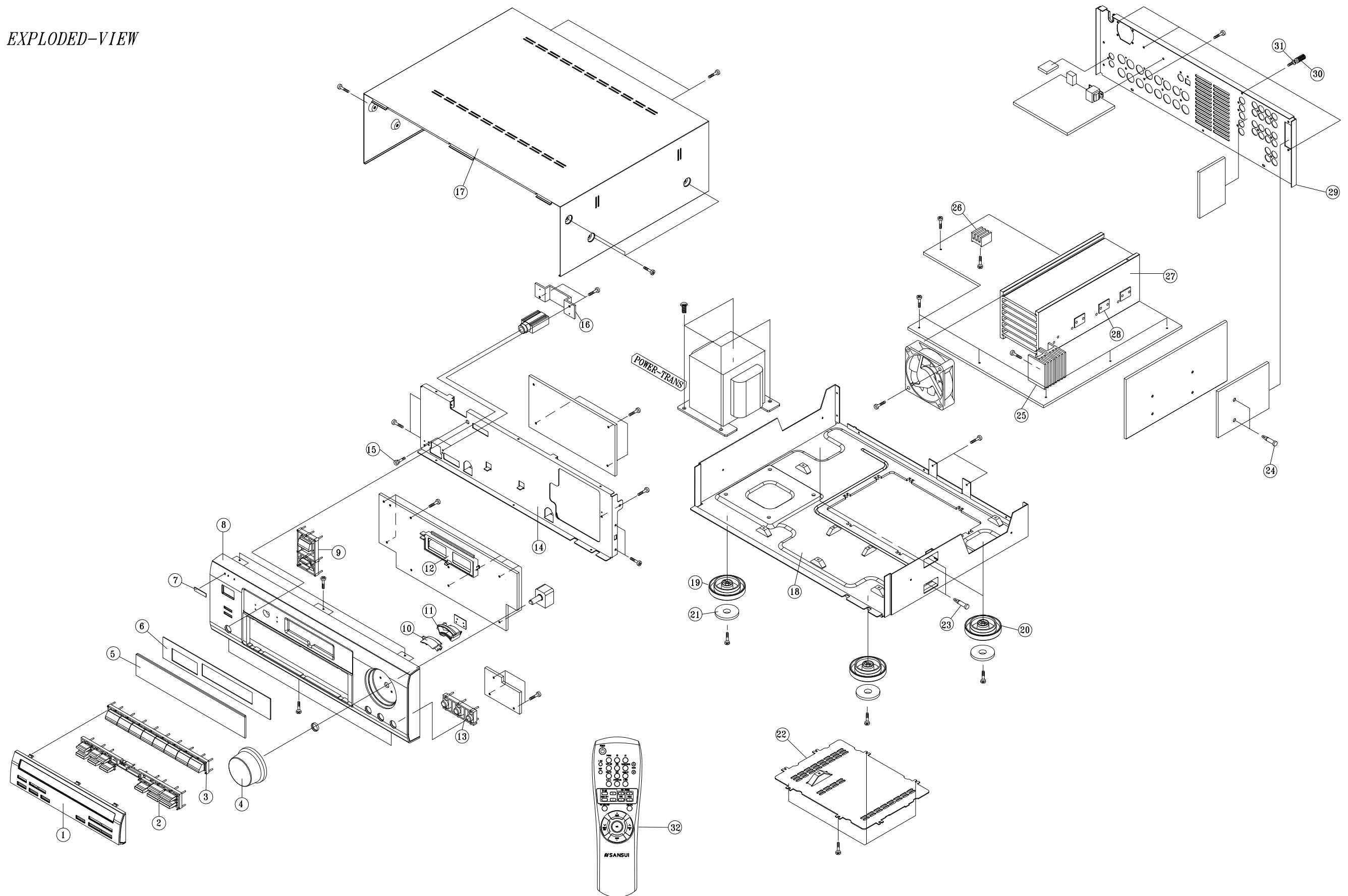


Parts List(RZ-3700AV/RZ-5700AV)

No.	Code No.	Description	Specification	Q'ty	Use Model
1	AH61-20522D	CAP-FRONT.A	ABS GOLD	1	
1	AH61-20522E	CAP-FRONT.A	ABS BLK	1	
2	AH67-12006A	LENS-AC3	PMMA CLEAR	1	
3	AH67-40035A	FILTER-LENS	PC 0.16T	1	
4	AH64-11284A	KNOB-AC3	ABS BLK	1	
4	AH64-11284B	KNOB-AC3	ABS GOLD	1	
5	AH64-11283C	KNOB-FUNCTION	ABS GOLD	1	
5	AH64-11283D	KNOB-FUNCTION	ABS BLK	1	
6	AH64-00330A	KNOB-VOLUME	ABS BLK	1	
6	AH64-00330B	KNOB-VOLUME	ABS GOLD	1	
7	AH64-42013D	WINDOW-FLT	ACRYL 2.0T	1	
8	AH68-52045A	LABEL-FLT	TOYO TAPE	1	
9	AH64-00228L	BADGE-BRAND	"AL L35,SILVER"	1	
9	AH64-00228M	BADGE-BRAND	"AL L35,GOLD "	1	
10	AH64-30433F	CABINET-FRONT	ABS GOLD	1	RZ5700AV
10	AH64-30433G	CABINET-FRONT	ABS BLK	1	RZ5700AV
10	AH64-30433H	CABINET-FRONT	ABS BLK	1	RZ3700AV
10	AH64-30433J	CABINET-FRONT	ABS GOLD	1	RZ3700AV
11	AH64-11282B	KNOB-POWER	ABS GOLD	1	
11	AH64-11282C	KNOB-POWER	ABS BLK	1	
12	AH67-12007A	LENS-INDICATOR	ACRYL CLEAR	1	
13	AH61-20526A	HOLDER-INDICATOR	ABS WHT	1	
14	AH61-20524A	HOLDER-FLT	ABS BLK	1	
15	AH64-11286A	KNOB-BASS	ABS BLK	1	
15	AH64-11286B	KNOB-BASS	ABS GOLD	1	
16	AH61-12005A	CHASSIS-FRONT	SECC 1.0T	1	
17	AH61-10753A	BRACKET-MIC	SECC 1.0T	1	
18	AH64-30435A	CABINET-TOP	PCM 0.9T GRAY	1	
18	AH64-30435B	CABINET-TOP	PCM 0.9T GOLD	1	
19	AH64-30434A	CABINET-BOTTOM	SECC 1.2T	1	
20	AH64-80037B	FOOT	ABS GOLD	2	
21	AH64-80037A	FOOT	ABS	2	
22	AH69-22007A	CUSHION-FOOT	RUBBER	4	
23	AH63-32001A	COVER-BOTTOM	SECC 1.2T	1	
24	AH65-32001A	"CLAMP-SPACE,A"	DALS-22N	2	
25	AH65-32002A	"CLAMP-SPACE,B"	DALS-10N	2	
26	AH62-30061A	HEAT-SINK S	AL EXTR	2	
27	AH62-32008A	HEAT-SINK TR	AL EXTR	1	RZ3700AV
27	AH62-32012A	HEAT-SINK TR	AL EXTR	1	RZ5700AV
28	AH62-32005A	HEAT-SINK M	AL EXTR	1	
29	AH62-10024A	INSULATION-RUBBER	INSULATION SHEET	3	
30	AH64-30436E	CABINET-REAR	SECC 1.0T EP2	1	
30	AH64-30436K	CABINET-REAR	SECC 1.0T CP2	1	
31	13104-501-630	TERMINAL-SCREW	SPC1+ABS BLK	1	
32	AH60-30007A	WASHER-PLAIN	ID4.5 OD10 T1	1	
33	AH59-10138C	REMOCON ASSY	BU2478-2Z	1	

7-2 RZ-7700AV

EXPLODED-VIEW



Parts List(RZ-7700AV)

No.	Code No.	Description	Specification	Q'ty
1	AH61-20523C	CAP-FRONT.R	ABS GOLD	1
1	AH61-20523D	CAP-FRONT.R	ABS BLK	1
2	AH64-11285A	KNOB-RECEIVER	ABS BLK	1
2	AH64-11285B	KNOB-RECEIVER	ABS GOLD	1
3	AH64-11283C	KNOB-FUNCTION	ABS GOLD	1
3	AH64-11283D	KNOB-FUNCTION	ABS BLK	1
4	AH64-00330A	KNOB-VOLUME	ABS BLK	1
4	AH64-00330B	KNOB-VOLUME	ABS GOLD	1
5	AH64-42013B	WINDOW-FLT	ACRYL 2.0T	1
6	AH68-52045A	LABEL-FLT	TOYO TAPE	1
7	AH64-00228L	BADGE-BRAND	"AL L35,SILVER"	1
7	AH64-00228M	BADGE-BRAND	"AL L35,GOLD "	1
8	AH64-30433C	CABINET-FRONT	ABS BLK	1
8	AH64-30433E	CABINET-FRONT	ABS GOLD	1
9	AH64-11282B	KNOB-POWER	ABS GOLD	1
9	AH64-11282C	KNOB-POWER	ABS BLK	1
10	AH67-12007A	LENS-INDICATOR	ACRYL CLEAR	1
11	AH61-20526A	HOLDER-INDICATOR	ABS WHT	1
12	AH61-20524A	HOLDER-FLT	ABS BLK	1
13	AH64-11286A	KNOB-BASS	ABS BLK	1
13	AH64-11286B	KNOB-BASS	ABS GOLD	1
14	AH61-12005A	CHASSIS-FRONT	SECC 1.0T	1
15	AH65-32002B	"CLAMP-SPACE,C"	DALS-12N-1	1
16	AH61-10753A	BRACKET-MIC	SECC 1.0T	1
17	AH64-30435A	CABINET-TOP	PCM 0.9T GRAY	1
17	AH64-30435B	CABINET-TOP	PCM 0.9T GOLD	1
18	AH64-30434A	CABINET-BOTTOM	SECC 1.2T	1
19	AH64-80037B	FOOT	ABS GOLD	2
20	AH64-80037A	FOOT	ABS	2
21	AH69-22007A	CUSHION-FOOT	RUBBER	4
22	AH63-32001A	COVER-BOTTOM	SECC 1.2T	1
23	AH65-32001A	"CLAMP-SPACE,A"	DALS-22N	2
24	AH65-32002A	"CLAMP-SPACE,B"	DALS-10N	2
25	AH62-30061A	HEAT-SINK S	AL EXTR	2
26	AH62-32012A	HEAT-SINK TR	AL EXTR	1
27	AH62-32005A	HEAT-SINK M	AL EXTR	1
28	AH62-10024A	INSULATION-RUBBER	INSULATION SHEET	3
29	AH64-30436H	CABINET-REAR	SECC 1.0T CP2	1
29	AH64-30436M	CABINET-REAR	SECC 1.0T EP2	1
30	13104-501-630	TERMINAL-SCREW	SPC1+ABS BLK	1
31	AH60-30007A	WASHER-PLAIN	ID4.5 OD10 T1	1
32	AH59-10133B	REMOCON ASSY	BU2478-2Z	1

8. Electrical Parts List

Location no. Code no. Description & Specification Remarks

RZ-3700AV Parts list

Location no.	Code no.	Description & Specification	Remarks
	AH59-10138C	REMOCON-ASSY;	
	AH92-00302A	ASSY-MAIN PCB;SA855P,SAI	
AD102	0402-001077	DIODE-BRIDGE;KBP202G,200V,2A,SIP-4	△
AD103	0402-001077	DIODE-BRIDGE;KBP202G,200V,2A,SIP-4	△
AD104	0402-001077	DIODE-BRIDGE;KBP202G,200V,2A,SIP-4	△
AD101	0402-001203	DIODE-BRIDGE;PBPC1004	△
AQ11L	0502-000170	TR-POWER;2SC3502-E,NPN,1.2W,TO-126,TP,1	
AQ11R	0502-000170	TR-POWER;2SC3502-E,NPN,1.2W,TO-126,TP,1	
AQ46	0502-000170	TR-POWER;2SC3502-E,NPN,1.2W,TO-126,TP,1	
AQ8L	0502-000208	TR-POWER;2SD1762,NPN,60V,50V,3A,2W,TO-2	
AQ8R	0502-000208	TR-POWER;2SD1762,NPN,60V,50V,3A,2W,TO-2	
AQ9	0502-000208	TR-POWER;2SD1762,NPN,60V,50V,3A,2W,TO-2	
FQ4	0502-000303	TR-POWER;KSD882,NPN,1W,TO-126,TP,160-32	
AQ11	0502-000303	TR-POWER;KSD882,NPN,1W,TO-126,TP,160-32	
AQ6R	0602-001158	TR-POWER;2SD2389,NPN,100W,SC-62,BK,6500	
AQ6L	0602-001158	TR-POWER;2SD2389,NPN,100W,SC-62,BK,6500	
AQ7	0602-001158	TR-POWER;2SD2389,NPN,100W,SC-62,BK,6500	
AQ7L	0602-001157	TR-POWER;2SB1559,PNP,100W,SC-62,BK,1500	
AQ7R	0602-001157	TR-POWER;2SB1559,PNP,100W,SC-62,BK,1500	
AQ8	0602-001157	TR-POWER;2SB1559,PNP,100W,SC-62,BK,1500	
AQ45	0602-001128	TR-POWER;2SA1380,NPN,5W,TO-126,TR,100-2	
AQ5L	0602-001128	TR-POWER;2SA1380,NPN,5W,TO-126,TR,100-2	
AQ5R	0602-001128	TR-POWER;2SA1380,NPN,5W,TO-126,TR,100-2	
AIC1	1201-001316	IC-POWER AMP;4231,SIP,22P,-,SINGLE,40dB	
AIC3	1203-000110	IC-NEGA.FIXED REG.;7912,TO-220,3P,-,PLAS	△
AIC2	1203-000242	IC-POSI.FIXED REG.;7812,TO-220,3P,-,PLAS	△
AIC5	1203-000276	IC-POSI.FIXED REG.;7805,TO-220,3P,-,PLAS	△
AR19	2009-001081	R-METAL PLATE;0.22ohm,5%,7W,CL,BK,26x5x2	
AR29L	2009-001081	R-METAL PLATE;0.22ohm,5%,7W,CL,BK,26x5x2	
AR29R	2009-001081	R-METAL PLATE;0.22ohm,5%,7W,CL,BK,26x5x2	
AR44L	2009-001080	R-METAL PLATE;0.22ohm,5%,5W,CL,BK,26x5x2	
AR44R	2009-001080	R-METAL PLATE;0.22ohm,5%,5W,CL,BK,26x5x2	
AC40	2401-000230	C-AL;100uF,20%,100V,GP,TP,10x20mm,5	
AC46	2401-000230	C-AL;100uF,20%,100V,GP,TP,10x20mm,5	
AC6	2401-000230	C-AL;100uF,20%,100V,GP,TP,10x20mm,5	
AC7L	2401-000230	C-AL;100uF,20%,100V,GP,TP,10x20mm,5	
AC7R	2401-000230	C-AL;100uF,20%,100V,GP,TP,10x20mm,5	
AC11	2401-000230	C-AL;100uF,20%,100V,GP,TP,10x20mm,5	
AC13L	2401-000230	C-AL;100uF,20%,100V,GP,TP,10x20mm,5	
AC13R	2401-000230	C-AL;100uF,20%,100V,GP,TP,10x20mm,5	
AC34	2401-001886	C-AL;1000uF,20%,35V,GP,BK,16x25MM,5	
AC35	2401-001886	C-AL;1000uF,20%,35V,GP,BK,16x25MM,5	
AC36	2401-001928	C-AL;2200uF,20%,35V,GP,BK,16x31MM,7	
AC230	2401-003388	C-AL;6800uF,20%,63V,GP,BK	
AC29	2401-003388	C-AL;6800uF,20%,63V,GP,BK	
RELAY3	3501-001131	RELAY-POWER;12Vdc,-5A,-,15mS,5mS	△
RELAY4	3501-001131	RELAY-POWER;12Vdc,-5A,-,15mS,5mS	△
RELAY5	3501-001131	RELAY-POWER;12Vdc,-5A,-,15mS,5mS	△
RELAY6	3501-001131	RELAY-POWER;12Vdc,-5A,-,15mS,5mS	△
ACW7	3711-000666	CONNECTOR-HEADER;BOX,12P,1R,2mm,STRAIGHT	
ACW4	3711-000724	CONNECTOR-HEADER;BOX,15P,1R,2mm,STRAIGHT	
ACW8	3711-000724	CONNECTOR-HEADER;BOX,15P,1R,2mm,STRAIGHT	
ACW6	3711-000820	CONNECTOR-HEADER;BOX,2P,1R,2.5mm,STRAIGH	
ACW13	3711-000820	CONNECTOR-HEADER;BOX,2P,1R,2.5mm,STRAIGH	
ACW3	3711-001062	CONNECTOR-HEADER;BOX,6P,1R,2mm,STRAIGHT	
ACW19	3711-001055	CONNECTOR-HEADER;BOX,6P,1R,2.5mm,STRAIGH	
ACW20	3711-001098	CONNECTOR-HEADER;BOX,7P,1R,2.5mm,STRAIGH	
AJC1	3716-001134	TERMINAL-BLOCK;SOLDER,4P,19mm,-,-	
AJ1F	3716-001134	TERMINAL-BLOCK;SOLDER,4P,19mm,-,-	
AJ1S	3716-001134	TERMINAL-BLOCK;SOLDER,4P,19mm,-,-	
AJ2F	3716-001134	TERMINAL-BLOCK;SOLDER,4P,19mm,-,-	
HJCK1	3722-000363	JACK-PHONE;9P,6,4MM,AU,BLK,-	
AIC4	1203-000242	IC-KIA7812PI,-,TO-220	△
PIT	AH26-00044A	TRANS-POWER;E196*64,230V,50Hz,SA855P	△
AL1	AH27-92001E	COIL-SPRING;SSKS-17,1.7uH,10X5.7X4,-,-	
AL1L	AH27-92001E	COIL-SPRING;SSKS-17,1.7uH,10X5.7X4,-,-	
AL1R	AH27-92001E	COIL-SPRING;SSKS-17,1.7uH,10X5.7X4,-,-	
AL2L	AH27-92001E	COIL-SPRING;SSKS-17,1.7uH,10X5.7X4,-,-	
AL2R	AH27-92001E	COIL-SPRING;SSKS-17,1.7uH,10X5.7X4,-,-	
FAN	AH31-12006A	MOTOR-DC-FAN;D0825A-12M,12V,DCI,0.17A,-	
CJK1	AH37-22001G	JACK-PIN;3.7MM,S-436P-01,3PBULK,-	
ACW16	AH39-20561D	LEAD CONNECTOR-ASSY;-5264,51088,2P,150M	
ACW17	AH39-00132A	LEAD CONNECTOR-ASSY;-51004,35023,6P,150	
ACW12	AH39-20561F	LEAD CONNECTOR-ASSY;-51004,35023,8P,180	
ACW14	AH39-20561H	LEAD CONNECTOR-ASSY;-51004,35023,15P,15	
ACW15	AH39-20561H	LEAD CONNECTOR-ASSY;-51004,35023,15P,15	
INRUB	AH62-10024A	INSULATION;-INSULATING,-,TO.3,-,SA-880A	
AD1	0401-000101	DIODE-SWITCHING;1N4148,100V,200mA,500mW,	
AD16	0401-000101	DIODE-SWITCHING;1N4148,100V,200mA,500mW,	
AD17	0401-000101	DIODE-SWITCHING;1N4148,100V,200mA,500mW,	
AD1L	0401-000101	DIODE-SWITCHING;1N4148,100V,200mA,500mW,	
AD1R	0401-000101	DIODE-SWITCHING;1N4148,100V,200mA,500mW,	
AD2	0401-000101	DIODE-SWITCHING;1N4148,100V,200mA,500mW,	
AD2L	0401-000101	DIODE-SWITCHING;1N4148,100V,200mA,500mW,	

Location no. Code no. Description & Specification Remarks

AD2R	0401-000101	DIODE-SWITCHING;1N4148,100V,200mA,500mW,	
AD3	0401-000101	DIODE-SWITCHING;1N4148,100V,200mA,500mW,	
AD32	0401-000101	DIODE-SWITCHING;1N4148,100V,200mA,500mW,	
AD4	0401-000101	DIODE-SWITCHING;1N4148,100V,200mA,500mW,	
AD4L	0401-000101	DIODE-SWITCHING;1N4148,100V,200mA,500mW,	
AD4R	0401-000101	DIODE-SWITCHING;1N4148,100V,200mA,500mW,	
AD201	0401-000101	DIODE-SWITCHING;1N4148,100V,200mA,500mW,	
AD202	0401-000101	DIODE-SWITCHING;1N4148,100V,200mA,500mW,	
AD6	0401-000101	DIODE-SWITCHING;1N4148,100V,200mA,500mW,	
AD203	0401-000101	DIODE-SWITCHING;1N4148,100V,200mA,500mW,	
AD204	0401-000101	DIODE-SWITCHING;1N4148,100V,200mA,500mW,	
AD7R	0401-000101	DIODE-SWITCHING;1N4148,100V,200mA,500mW,	
AD8L	0401-000101	DIODE-SWITCHING;1N4148,100V,200mA,500mW,	
AD8R	0401-000101	DIODE-SWITCHING;1N4148,100V,200mA,500mW,	
AD205	0401-000101	DIODE-SWITCHING;1N4148,100V,200mA,500mW,	
AD206	0401-000101	DIODE-SWITCHING;1N4148,100V,200mA,500mW,	
AD105	0402-000127	DIODE-RECTIFIER;1N4002,100V,1A,DO-41	
AD106	0402-000127	DIODE-RECTIFIER;1N4002,100V,1A,DO-41	
AD28	0402-000127	DIODE-RECTIFIER;1N4002,100V,1A,DO-41	
AD29	0402-000127	DIODE-RECTIFIER;1N4002,100V,1A,DO-41	
AD30	0402-000127	DIODE-RECTIFIER;1N4002,100V,1A,DO-41	
AD31	0402-000127	DIODE-RECTIFIER;1N4002,100V,1A,DO-41	
AD6L	0402-000127	DIODE-RECTIFIER;1N4002,100V,1A,DO-41	
AD6R	0402-000127	DIODE-RECTIFIER;1N4002,100V,1A,DO-41	
AD9L	0402-000127	DIODE-RECTIFIER;1N4002,100V,1A,DO-41	
AD9R	0402-000127	DIODE-RECTIFIER;1N4002,100V,1A,DO-41	
AD51	0402-000127	DIODE-RECTIFIER;1N4002,100V,1A,DO-41	
AD52	0402-000127	DIODE-RECTIFIER;1N4002,100V,1A,DO-41	
AD53	0402-000127	DIODE-RECTIFIER;1N4002,100V,1A,DO-41	
AD54	0402-000127	DIODE-RECTIFIER;1N4002,100V,1A,DO-41	
AD55	0402-000127	DIODE-RECTIFIER;1N4002,100V,1A,DO-41	
AZD4	0403-000379	DIODE-ZENER;UZP12B,12V,11.4-12.6V,1W,DO-	
AZD5	0403-000379	DIODE-ZENER;UZP12B,12V,11.4-12.6V,1W,DO-	
FQ1	0501-000010	TR-SMALL SIGNAL;KSC1008,NPN,800mW,TO-92	
FQ2	0501-000010	TR-SMALL SIGNAL;KSC1008,NPN,800mW,TO-92	
AQ12	0501-000303	TR-SMALL SIGNAL;KSA733,PNP,250mW,TO-92,T	
FQ3	0501-000303	TR-SMALL SIGNAL;KSA733,PNP,250mW,TO-92,T	
AQ10	0501-000331	TR-SMALL SIGNAL;KSC1009,Y,NPN,800mW,TO-9	
AQ12L	0501-000331	TR-SMALL SIGNAL;KSC1009,Y,NPN,800mW,TO-9	
AQ12R	0501-000331	TR-SMALL SIGNAL;KSC1009,Y,NPN,800mW,TO-9	
AQ15L	0501-000331	TR-SMALL SIGNAL;KSC1009,Y,NPN,800mW,TO-9	
AQ15R	0501-000331	TR-SMALL SIGNAL;KSC1009,Y,NPN,800mW,TO-9	
AQ10L	0501-000354	TR-SMALL SIGNAL;KSC1845-F,NPN,500mW,TO-9	
AQ10R	0501-000354	TR-SMALL SIGNAL;KSC1845-F,NPN,500mW,TO-9	
AQ5	0501-000354	TR-SMALL SIGNAL;KSC1845-F,NPN,500mW,TO-9	
AQ1	0501-000407	TR-SMALL SIGNAL;KSD471A-Y,NPN,800mW,TO-9	
AQ13L	0501-000407	TR-SMALL SIGNAL;KSD471A-Y,NPN,800mW,TO-9	
AQ13R	0501-000407	TR-SMALL SIGNAL;KSD471A-Y,NPN,800mW,TO-9	
AQ1L	0501-000407	TR-SMALL SIGNAL;KSD471A-Y,NPN,800mW,TO-9	
AQ1R	0501-000407	TR-SMALL SIGNAL;KSD471A-Y,NPN,800mW,TO-9	
AQ2	0501-000407	TR-SMALL SIGNAL;KSD471A-Y,NPN,800mW,TO-9	
AQ2L	0501-000407	TR-SMALL SIGNAL;KSD471A-Y,NPN,800mW,TO-9	
AQ2R	0501-000407	TR-SMALL SIGNAL;KSD471A-Y,NPN,800mW,TO-9	
AQ14L	0501-000407	TR-SMALL SIGNAL;KSD471A-Y,NPN,800mW,TO-9	
AQ14R	0501-000407	TR-SMALL SIGNAL;KSD471A-Y,NPN,800mW,TO-9	
AQ4L	0501-002188	TR-SMALL SIGNAL;KSA992,PNP,500mW,TO-92,T	
AQ4R	0501-002188	TR-SMALL SIGNAL;KSA992,PNP,500mW,TO-92,T	
AQ44	0501-002188	TR-SMALL SIGNAL;KSA992,PNP,500mW,TO-92,T	
AQ3	0501-002188	TR-SMALL SIGNAL;KSA992,PNP,500mW,TO-92,T	
AQ3L	0501-002188	TR-SMALL SIGNAL;KSA992,PNP,500mW,TO-92,T	
AQ3R	0501-002188	TR-SMALL SIGNAL;KSA992,PNP,500mW,TO-92,T	
AQ4	0501-002188	TR-SMALL SIGNAL;KSA992,PNP,500mW,TO-92,T	
AQ9L	0501-002188	TR-SMALL SIGNAL;KSA992,PNP,500mW,TO-92,T	
AQ9R	0501-002188	TR-SMALL SIGNAL;KSA992,PNP,500mW,TO-92,T	
FR5	2001-000005	R-CARBON;300ohm,5%,1/8W,AA,TP,1.8x3.2mm	
AR28L	2001-000008	R-CARBON;15Kohm,5%,1/8W,AA,TP,1.8x3.2mm	
AR28R	2001-000008	R-CARBON;15Kohm,5%,1/8W,AA,TP,1.8x3.2mm	
AR18	2001-000008	R-CARBON;15Kohm,5%,1/8W,AA,TP,1.8x3.2mm	
AR41	2001-000008	R-CARBON;15Kohm,5%,1/8W,AA,TP,1.8x3.2mm	
AR47	2001-000008	R-CARBON;15Kohm,5%,1/8W,AA,TP,1.8x3.2mm	
AR8	2001-000008	R-CARBON;15Kohm,5%,1/8W,AA,TP,1.8x3.2mm	
AR20	2001-000110	R-CARBON;10ohm,5%,1/4W,AA,TP,2.4x6.4mm	
AR32L	2001-000110	R-CARBON;10ohm,5%,1/4W,AA,TP,2.4x6.4mm	
AR32R	2001-000110	R-CARBON;10ohm,5%,1/4W,AA,TP,2.4x6.4mm	
AR48L	2001-000110	R-CARBON;10ohm,5%,1/4W,AA,TP,2.4x6.4mm	
AR48R	2001-000110	R-CARBON;10ohm,5%,1/4W,AA,TP,2.4x6.4mm	
AR20L	2001-000221	R-CARBON;1.2Kohm,5%,1/8W,AA,TP,1.8x3.2mm	
AR20R	2001-000221	R-CARBON;1.2Kohm,5%,1/8W,AA,TP,1.8x3.2mm	
AR27	2001-000221	R-CARBON;1.2Kohm,5%,1/8W,AA,TP,1.8x3.2mm	
AR2L	2001-000273	R-CARBON;100Kohm,5%,1/8W,AA,TP,1.8x3.2mm	
AR2R	2001-000273	R-CARBON;100Kohm,5%,1/8W,AA,TP,1.8x3.2mm	
AR42	2001-000273	R-CARBON;100Kohm,5%,1/8W,AA,TP,1.8x3.2mm	
AR51	2001-000273	R-CARBON;100Kohm,5%,1/8W,AA,TP,1.8x3.2mm	
AR55	2001-000273	R-CARBON;100Kohm,5%,1/8W,AA,TP,1.8x3.2mm	
AR11L	2001-000281	R-CARBON;100ohm,5%,1/8W,AA,TP,1.8x3.2mm	
AR11R	2001-000281	R-CARBON;100ohm,5%,1/8W,AA,TP,1.8x3.2mm	
AR13	2001-000281	R-CARBON;100ohm,5%,1/8W,AA,TP,1.8x3.2mm	
AR17L	2001-000281	R-CARBON;100ohm,5%,	

Location no.	Code no.	Description & Specification	Remarks	Location no.	Code no.	Description & Specification	Remarks
AR18L	2001-000281	R-CARBON;100ohm,5%,1/8W,AA,TP,1.8x3.2mm		AR39R	2001-000864	R-CARBON;56Kohm,5%,1/8W,AA,TP,1.8x3.2mm	
AR18R	2001-000281	R-CARBON;100ohm,5%,1/8W,AA,TP,1.8x3.2mm		AR41L	2001-000864	R-CARBON;56Kohm,5%,1/8W,AA,TP,1.8x3.2mm	
AR3	2001-000281	R-CARBON;100ohm,5%,1/8W,AA,TP,1.8x3.2mm		AR41R	2001-000864	R-CARBON;56Kohm,5%,1/8W,AA,TP,1.8x3.2mm	
AR31	2001-000281	R-CARBON;100ohm,5%,1/8W,AA,TP,1.8x3.2mm		AR46L	2001-000995	R-CARBON;820ohm,5%,1/8W,AA,TP,1.8x3.2mm	
AR32	2001-000281	R-CARBON;100ohm,5%,1/8W,AA,TP,1.8x3.2mm		AR46R	2001-000995	R-CARBON;820ohm,5%,1/8W,AA,TP,1.8x3.2mm	
AR36L	2001-000281	R-CARBON;100ohm,5%,1/8W,AA,TP,1.8x3.2mm		AR43	2001-001000	R-CARBON;82Kohm,5%,1/8W,AA,TP,1.8x3.2mm	
AR36R	2001-000281	R-CARBON;100ohm,5%,1/8W,AA,TP,1.8x3.2mm		AR44	2001-001000	R-CARBON;82Kohm,5%,1/8W,AA,TP,1.8x3.2mm	
AR4L	2001-000281	R-CARBON;100ohm,5%,1/8W,AA,TP,1.8x3.2mm		AR45	2001-001000	R-CARBON;82Kohm,5%,1/8W,AA,TP,1.8x3.2mm	
AR4R	2001-000281	R-CARBON;100ohm,5%,1/8W,AA,TP,1.8x3.2mm		AR46	2001-001000	R-CARBON;82Kohm,5%,1/8W,AA,TP,1.8x3.2mm	
AR7	2001-000281	R-CARBON;100ohm,5%,1/8W,AA,TP,1.8x3.2mm		AR42L	2001-001144	R-CARBON(S);4.7Kohm,5%,1/2W,AA,TP,2.4x6.6mm	
AR9L	2001-000281	R-CARBON;100ohm,5%,1/8W,AA,TP,1.8x3.2mm		AR43R	2001-001144	R-CARBON(S);4.7Kohm,5%,1/2W,AA,TP,2.4x6.6mm	
AR9R	2001-000281	R-CARBON;100ohm,5%,1/8W,AA,TP,1.8x3.2mm		AR42R	2001-001144	R-CARBON(S);4.7Kohm,5%,1/2W,AA,TP,2.4x6.6mm	
AR64	2001-000281	R-CARBON;100ohm,5%,1/8W,AA,TP,1.8x3.2mm		AR43L	2001-001144	R-CARBON(S);4.7Kohm,5%,1/2W,AA,TP,2.4x6.6mm	
AR35	2001-000290	R-CARBON;10Kohm,5%,1/8W,AA,TP,1.8x3.2mm		AR22	2003-000471	R-METAL OXIDE(S);10ohm,5%,2W,AA,TP,4x12mm	
AR38	2001-000290	R-CARBON;10Kohm,5%,1/8W,AA,TP,1.8x3.2mm		AR31L	2003-000471	R-METAL OXIDE(S);10ohm,5%,2W,AA,TP,4x12mm	
AR39	2001-000290	R-CARBON;10Kohm,5%,1/8W,AA,TP,1.8x3.2mm		AR31R	2003-000471	R-METAL OXIDE(S);10ohm,5%,2W,AA,TP,4x12mm	
FR6	2001-000290	R-CARBON;10Kohm,5%,1/8W,AA,TP,1.8x3.2mm		AR47L	2003-000471	R-METAL OXIDE(S);10ohm,5%,2W,AA,TP,4x12mm	
FR7	2001-000290	R-CARBON;10Kohm,5%,1/8W,AA,TP,1.8x3.2mm		AR47R	2003-000471	R-METAL OXIDE(S);10ohm,5%,2W,AA,TP,4x12mm	
FR8	2001-000290	R-CARBON;10Kohm,5%,1/8W,AA,TP,1.8x3.2mm		AR85	2003-000534	R-METAL OXIDE(S);1Kohm,5%,1W,AA,TP,3.3x9.6mm	
AR19L	2001-000405	R-CARBON;180ohm,5%,1/8W,AA,TP,1.8x3.2mm		AR86	2003-000534	R-METAL OXIDE(S);1Kohm,5%,1W,AA,TP,3.3x9.6mm	
AR19R	2001-000405	R-CARBON;180ohm,5%,1/8W,AA,TP,1.8x3.2mm		AR52	2003-000800	R-METAL OXIDE(S);820ohm,5%,2W,AA,TP,4x12mm	
AR33	2001-000405	R-CARBON;180ohm,5%,1/8W,AA,TP,1.8x3.2mm		AR54	2003-000800	R-METAL OXIDE(S);820ohm,5%,2W,AA,TP,4x12mm	
AR38L	2001-000429	R-CARBON;1Kohm,5%,1/8W,AA,TP,1.8x3.2mm		AR57	2008-000003	R-FUSIBLE;0.22ohm,5%,1/2W,AA,TP,3.5x9.4mm	
AR38R	2001-000429	R-CARBON;1Kohm,5%,1/8W,AA,TP,1.8x3.2mm		AR15	2008-000121	R-FUSIBLE;100ohm,5%,1/4W,AA,TP,2.6x6.7mm	
AR35L	2001-000429	R-CARBON;1Kohm,5%,1/8W,AA,TP,1.8x3.2mm		AR24	2008-000121	R-FUSIBLE;100ohm,5%,1/4W,AA,TP,2.6x6.7mm	
AR35R	2001-000429	R-CARBON;1Kohm,5%,1/8W,AA,TP,1.8x3.2mm		AR25L	2008-000121	R-FUSIBLE;100ohm,5%,1/4W,AA,TP,2.6x6.7mm	
AR37L	2001-000429	R-CARBON;1Kohm,5%,1/8W,AA,TP,1.8x3.2mm		AR25R	2008-000121	R-FUSIBLE;100ohm,5%,1/4W,AA,TP,2.6x6.7mm	
AR37R	2001-000429	R-CARBON;1Kohm,5%,1/8W,AA,TP,1.8x3.2mm		AR26L	2008-000121	R-FUSIBLE;100ohm,5%,1/4W,AA,TP,2.6x6.7mm	
AR34L	2001-000429	R-CARBON;1Kohm,5%,1/8W,AA,TP,1.8x3.2mm		AR26R	2008-000121	R-FUSIBLE;100ohm,5%,1/4W,AA,TP,2.6x6.7mm	
AR34R	2001-000429	R-CARBON;1Kohm,5%,1/8W,AA,TP,1.8x3.2mm		AR14	2008-000122	R-FUSIBLE;100ohm,5%,1W,AA,TP,4.3x13mm	
AR5L	2001-000429	R-CARBON;1Kohm,5%,1/8W,AA,TP,1.8x3.2mm		AR24L	2008-000122	R-FUSIBLE;100ohm,5%,1W,AA,TP,4.3x13mm	
AR5R	2001-000429	R-CARBON;1Kohm,5%,1/8W,AA,TP,1.8x3.2mm		AR24R	2008-000122	R-FUSIBLE;100ohm,5%,1W,AA,TP,4.3x13mm	
AR1L	2001-000429	R-CARBON;1Kohm,5%,1/8W,AA,TP,1.8x3.2mm		AR33L	2008-000122	R-FUSIBLE;100ohm,5%,1W,AA,TP,4.3x13mm	
AR1R	2001-000429	R-CARBON;1Kohm,5%,1/8W,AA,TP,1.8x3.2mm		AR33R	2008-000122	R-FUSIBLE;100ohm,5%,1W,AA,TP,4.3x13mm	
AR6L	2001-000429	R-CARBON;1Kohm,5%,1/8W,AA,TP,1.8x3.2mm		AR34	2008-000122	R-FUSIBLE;100ohm,5%,1W,AA,TP,4.3x13mm	
AR6R	2001-000429	R-CARBON;1Kohm,5%,1/8W,AA,TP,1.8x3.2mm		AR58	2008-000122	R-FUSIBLE;100ohm,5%,1W,AA,TP,4.3x13mm	
AR3L	2001-000429	R-CARBON;1Kohm,5%,1/8W,AA,TP,1.8x3.2mm		AR56	2008-000156	R-FUSIBLE;4.7ohm,5%,1/2W,AA,TP,3.5x9.4mm	
AR3R	2001-000429	R-CARBON;1Kohm,5%,1/8W,AA,TP,1.8x3.2mm		AC8L	2201-000366	C-CERAMIC,DISC;220pF,10%,500V,Y5P,TP,6x4	
AR1	2001-000429	R-CARBON;1Kohm,5%,1/8W,AA,TP,1.8x3.2mm		AC8R	2201-000366	C-CERAMIC,DISC;220pF,10%,500V,Y5P,TP,6x4	
AR2	2001-000429	R-CARBON;1Kohm,5%,1/8W,AA,TP,1.8x3.2mm		AC12	2201-000366	C-CERAMIC,DISC;220pF,10%,500V,Y5P,TP,6x4	
AR4	2001-000429	R-CARBON;1Kohm,5%,1/8W,AA,TP,1.8x3.2mm		AC14L	2201-000366	C-CERAMIC,DISC;220pF,10%,500V,Y5P,TP,6x4	
AR5	2001-000429	R-CARBON;1Kohm,5%,1/8W,AA,TP,1.8x3.2mm		AC14R	2201-000366	C-CERAMIC,DISC;220pF,10%,500V,Y5P,TP,6x4	
AR40L	2001-000429	R-CARBON;1Kohm,5%,1/8W,AA,TP,1.8x3.2mm		AC7	2201-000366	C-CERAMIC,DISC;220pF,10%,500V,Y5P,TP,6x4	
AR40R	2001-000429	R-CARBON;1Kohm,5%,1/8W,AA,TP,1.8x3.2mm		AC18L	2201-000470	C-CERAMIC,DISC;330pF,10%,50V,Y5P,TP,6x4	
AR10L	2001-000302	R-CARBON;10ohm,5%,1/8W,AA,TP,1.8x3.2mm		AC18R	2201-000470	C-CERAMIC,DISC;330pF,10%,50V,Y5P,TP,6x4	
AR10R	2001-000302	R-CARBON;10ohm,5%,1/8W,AA,TP,1.8x3.2mm		AC3L	2201-000470	C-CERAMIC,DISC;330pF,10%,50V,Y5P,TP,6x4	
AR11	2001-000302	R-CARBON;10ohm,5%,1/8W,AA,TP,1.8x3.2mm		AC3R	2201-000470	C-CERAMIC,DISC;330pF,10%,50V,Y5P,TP,6x4	
AR15L	2001-000429	R-CARBON;1Kohm,5%,1/8W,AA,TP,1.8x3.2mm		AC3	2201-000470	C-CERAMIC,DISC;330pF,10%,50V,Y5P,TP,6x4	
AR15R	2001-000429	R-CARBON;1Kohm,5%,1/8W,AA,TP,1.8x3.2mm		AC55	2201-000161	C-CERAMIC,DISC;10nF,+80-20%,500V,Y5V,TP	△
AR16L	2001-000429	R-CARBON;1Kohm,5%,1/8W,AA,TP,1.8x3.2mm		AC56	2201-000161	C-CERAMIC,DISC;10nF,+80-20%,500V,Y5V,TP	△
AR16R	2001-000429	R-CARBON;1Kohm,5%,1/8W,AA,TP,1.8x3.2mm		AC57	2201-000161	C-CERAMIC,DISC;10nF,+80-20%,500V,Y5V,TP	△
AR30	2001-000429	R-CARBON;1Kohm,5%,1/8W,AA,TP,1.8x3.2mm		AC58	2201-000161	C-CERAMIC,DISC;10nF,+80-20%,500V,Y5V,TP	△
AR49	2001-000429	R-CARBON;1Kohm,5%,1/8W,AA,TP,1.8x3.2mm		AC43	2201-000161	C-CERAMIC,DISC;10nF,+80-20%,500V,Y5V,TP	△
AR14L	2001-000449	R-CARBON;2.2Kohm,5%,1/8W,AA,TP,1.8x3.2mm		AC50	2201-000163	C-CERAMIC,DISC;10nF,79.8,50V,Y5V,TP,6.5x	△
AR14R	2001-000449	R-CARBON;2.2Kohm,5%,1/8W,AA,TP,1.8x3.2mm		AC51	2201-000163	C-CERAMIC,DISC;10nF,79.8,50V,Y5V,TP,6.5x	△
AR50	2001-000449	R-CARBON;2.2Kohm,5%,1/8W,AA,TP,1.8x3.2mm		AC52	2201-000163	C-CERAMIC,DISC;10nF,79.8,50V,Y5V,TP,6.5x	△
AR27L	2001-000449	R-CARBON;2.2Kohm,5%,1/8W,AA,TP,1.8x3.2mm		AC53	2201-000163	C-CERAMIC,DISC;10nF,79.8,50V,Y5V,TP,6.5x	△
AR27R	2001-000449	R-CARBON;2.2Kohm,5%,1/8W,AA,TP,1.8x3.2mm		AC4R	2201-000368	C-CERAMIC,DISC;220pF,10%,50V,SL,TP,6.5x3	△
AR45L	2001-000449	R-CARBON;2.2Kohm,5%,1/8W,AA,TP,1.8x3.2mm		AC4L	2201-000368	C-CERAMIC,DISC;220pF,10%,50V,SL,TP,6.5x3	△
AR45R	2001-000449	R-CARBON;2.2Kohm,5%,1/8W,AA,TP,1.8x3.2mm		AC60	2201-000368	C-CERAMIC,DISC;220pF,10%,50V,SL,TP,6.5x3	△
AR17	2001-000522	R-CARBON;22ohm,5%,1/8W,AA,TP,1.8x3.2mm		AC29	2201-000389	C-CERAMIC,DISC;22pF,5%,50V,CH,TP,5.0x3.0	
AR63	2001-000527	R-CARBON;22ohm,5%,1/8W,AA,TP,1.8x3.2mm		AC6L	2201-000391	C-CERAMIC,DISC;22pF,5%,50V,SL,TP,5.0x3.0	
AR36	2001-000554	R-CARBON;270OHM,5%,1/8W,AA,TP,1.8X3.2MM		AC6R	2201-000391	C-CERAMIC,DISC;22pF,5%,50V,SL,TP,5.0x3.0	
AR21L	2001-000472	R-CARBON;2.7KOHM,5%,1/8W,AA,TP,1.8X3.2MM		AC12L	2201-000476	C-CERAMIC,DISC;33pF,10%,500V,SL,TP,7x4.5	
AR21R	2001-000472	R-CARBON;2.7KOHM,5%,1/8W,AA,TP,1.8X3.2MM		AC12R	2201-000476	C-CERAMIC,DISC;33pF,10%,500V,SL,TP,7x4.5	
AR48	2001-000472	R-CARBON;2.7KOHM,5%,1/8W,AA,TP,1.8X3.2MM		AC59	2201-000476	C-CERAMIC,DISC;33pF,10%,500V,SL,TP,7x4.5	
FR1	2001-000613	R-CARBON;3.9Kohm,5%,1/8W,AA,TP,1.8x3.2mm		AC21L	2201-000693	C-CERAMIC,DISC;8pF,5%,50V,NPO,5x3.5,TP	
FR2	2001-000613	R-CARBON;3.9Kohm,5%,1/8W,AA,TP,1.8x3.2mm		AC21R	2201-000693	C-CERAMIC,DISC;8pF,5%,50V,NPO,5x3.5,TP	
AR304	2001-000660	R-CARBON;33Kohm,5%,1/8W,AA,TP,1.8x3.2mm		AC5	2301-000400	C-FILM,PEF;1nF,10%,50V,TP,5X7X2.8MM,5MM	
AR305	2001-000660	R-CARBON;33Kohm,5%,1/8W,AA,TP,1.8x3.2mm		AC5L	2301-000400	C-FILM,PEF;1nF,10%,50V,TP,5X7X2.8MM,5MM	
AR306	2001-000660	R-CARBON;33Kohm,5%,1/8W,AA,TP,1.8x3.2mm		AC5R	2301-000400	C-FILM,PEF;1nF,10%,50V,TP,5X7X2.8MM,5MM	
AR7L	2001-000660	R-CARBON;33Kohm,5%,1/8W,AA,TP,1.8x3.2mm		AC13	2303-000311	C-FILM,PPF;100nF,5%,100V,TP,10x13.5x4.5mm	
AR7R	2001-000660	R-CARBON;33Kohm,5%,1/8W,AA,TP,1.8x3.2mm		AC15L	2303-000311	C-FILM,PPF;100nF,5%,100V,TP,10x13.5x4.5mm	
AR23L	2001-000660	R-CARBON;33Kohm,5%,1/8W,AA,TP,1.8x3.2mm		AC15R	2303-000311	C-FILM,PPF;100nF,5%,100V,TP,10x13.5x4.5mm	
AR29	2001-000660	R-CARBON;33Kohm,5%,1/8W,AA,TP,1.8x3.2mm		AC24L	2303-000311	C-FILM,PPF;100nF,5%,100V,TP,10x13.5x4.5mm	
AR40	2001-000660	R-CARBON;33Kohm,5%,1/8W,AA,TP,1.8x3.2mm		AC24R	2303-000311	C-FILM,PPF;100nF,5%,100V,TP,10x13.5x4.5mm	
AR6	2001-000660	R-CARBON;33Kohm,5%,1/8W,AA,TP,1.8x3.2mm		AC301	2401-001953	C-AL;4.7uF,20%,50V,NP-,6.3x11.2,5mm	
AR301	2201-000645	R-CARBON;330Kohm,5%,1/8W,AA,TP,1.8x3.2mm		AC302	2401-001953	C-AL;4.7uF,20%,50V,NP-,6.3x11.2,5mm	
AR302	2201-000645	R-CARBON;330Kohm,5%,1/8W,AA,TP,1.8x3.2mm		AC101	2401-001953	C-AL;4.7uF,20%,50V,NP-,6.3x11.2,5mm	
AR303	2201-000645	R-CARBON;330Kohm,5%,1/8W,AA,TP,1.8x3.2mm		AC44	2401-000385	C-AL;10uF,20%,100V,GP-,6.3x11.2,5mm	
FR3	2001-000734	R-CARBON;4.7Kohm,5%,1/8W,AA,TP,1.8x3.2mm		AC45	2401-000385	C-AL;10uF,20%,100V,GP-,6.3x11.2,5mm	
AR53	2001-000780	R-CARBON;470ohm,5%,1/8W,AA,TP,1.8x3.2mm		AC1	2401-000419	C-AL;10UF,20%,16V,GP-,4X7.5	
AR12	2001-000786	R-CARBON;47Kohm,5%,1/8W,AA,TP,1.8x3.2mm		AC16L	2401-000419	C-AL;10UF,20%,16V,GP-,4X7.5	
AR12L	2001-000786	R-CARBON;47Kohm,5%,1/8W,AA,TP,1.8x3.2mm		AC16R	2401-000419	C-AL;10UF,20%,16V,GP-,4X7.5	
AR13L	2001-000802	R-CARBON;5.6KOHM,5%,1/8W,AA,TP,1.8X3.2MM		AC1R	2401-000419	C-AL;10UF,20%,16V,GP-,4X7.5	
AR13R	2001-000802	R-CARBON;5.6KOHM,5%,1/8W,AA,TP,1.8X3.2MM		AC2	2401-000419	C-AL;10UF,20%,16V,GP-,4X7.5	
AR16	2001-000802	R-CARBON;5.6KOHM,5%,1/8W,AA,TP,1.8X3.2MM		AC2L	2401-000419	C-AL;10UF,20%,16V,GP-,4X7.5	
AR37	2001-000802	R-CARBON;5.6KOHM,5%,1/8W,AA,TP,1.8X3.2MM		AC2R	2401-000419	C-AL;10UF,20%,16V,GP-,4X7.5	
FR4	2001-000802	R-CARBON;5.6KOHM,5%,1/8W,AA,TP,1.8X3.2MM		AC47	2401-000419	C-AL;10UF,20%,16V,GP-,4X7.5	
AR8L	2001-000855	R-CARBON;560ohm,5%,1/4W,AA,TP,2.4x6.4mm		AC8	2401-000419	C-AL;10UF,20%,16V,GP-,4X7.5	
AR8R	2001-000855	R-CARBON;560ohm,5%,1/4W,AA,TP,2.4x6.4mm		AC8	2401-000656	C-AL;2.2uF,20%,50V,GP,BK,3X5,1MM	
AR9	2001-000857	R-CARBON;560ohm,5%,1/8W,AA,TP,1.8x3.2mm		AC10L	2201-000674	C-AL;820PF,20%,50V,GP,BK,3X5,1MM	
AR39L	2001-000864	R-CARBON;56Kohm,5%,1/8W,AA,TP,1.8x3.2mm		AC10R	2201-000674	C-AL;820PF,20%,50V,GP,BK,3X5,1MM	

Location no.	Code no.	Description & Specification	Remarks	Location no.	Code no.	Description & Specification	Remarks
AC14	2201-000674	C-AL:820PF,20%,50V,GP,BK,3X5,1MM		UD10	0401-000101	DIODE-SWITCHING;1N4148,100V,200mA,500mW	
AC23L	2401-001324	C-AL:470NF,20%,50V,GP,BK,3X5,1MM		UD11	0401-000101	DIODE-SWITCHING;1N4148,100V,200mA,500mW	
AC23R	2401-001324	C-AL:470NF,20%,50V,GP,BK,3X5,1MM		UD12	0401-000101	DIODE-SWITCHING;1N4148,100V,200mA,500mW	
AC61	2401-001361	C-AL:470F,20%,16V,GP,TP,13x20mm,5m		UD13	0401-000101	DIODE-SWITCHING;1N4148,100V,200mA,500mW	
AC25L	2401-001572	C-AL:470F,20%,50V,GP,6.3x11,2.5mm		UD14	0401-000101	DIODE-SWITCHING;1N4148,100V,200mA,500mW	
AC25R	2401-001572	C-AL:470F,20%,50V,GP,6.3x11,2.5mm		UD15	0401-000101	DIODE-SWITCHING;1N4148,100V,200mA,500mW	
AC33	2401-001893	C-AL:100uF,20%,16V,GP,TP,6.3x7mm,5	△	UD16	0401-000101	DIODE-SWITCHING;1N4148,100V,200mA,500mW	
AC10	2401-001893	C-AL:100uF,20%,16V,GP,TP,6.3x7mm,5		UD17	0401-000101	DIODE-SWITCHING;1N4148,100V,200mA,500mW	
AC11L	2401-001893	C-AL:100uF,20%,16V,GP,TP,6.3x7mm,5		UD2	0401-000101	DIODE-SWITCHING;1N4148,100V,200mA,500mW	
AC11R	2401-001893	C-AL:100uF,20%,16V,GP,TP,6.3x7mm,5		UD3	0401-000101	DIODE-SWITCHING;1N4148,100V,200mA,500mW	
AC20L	2401-001893	C-AL:100uF,20%,16V,GP,TP,6.3x7mm,5		UD4	0401-000101	DIODE-SWITCHING;1N4148,100V,200mA,500mW	
AC20R	2401-001893	C-AL:100uF,20%,16V,GP,TP,6.3x7mm,5		UD8	0401-000101	DIODE-SWITCHING;1N4148,100V,200mA,500mW	
AC34	2401-001893	C-AL:100uF,20%,16V,GP,TP,6.3x7mm,5	△	UD9	0401-000101	DIODE-SWITCHING;1N4148,100V,200mA,500mW	
AC35	2401-001893	C-AL:100uF,20%,16V,GP,TP,6.3x7mm,5	△	AD102	0402-000127	DIODE-RECTIFIER;1N4002,100V,1A,DO-41	
AC38	2401-001969	C-AL:470F,20%,25V,GP,TP,10x12mm,5m	△	AD19	0402-000127	DIODE-RECTIFIER;1N4002,100V,1A,DO-41	
AC37	2401-001975	C-AL:470F,20%,16V,GP,TP,5x11mm,5	△	AD20	0402-000127	DIODE-RECTIFIER;1N4002,100V,1A,DO-41	
FC1	2401-001975	C-AL:470F,20%,16V,GP,TP,5x11mm,5		AD21	0402-000127	DIODE-RECTIFIER;1N4002,100V,1A,DO-41	
AC9L	2401-002180	C-AL:2.2uF,20%,50V,GP,TP,5x11,5mm		AD23	0402-000127	DIODE-RECTIFIER;1N4002,100V,1A,DO-41	
AC9R	2401-002180	C-AL:2.2uF,20%,50V,GP,TP,5x11,5mm		AD24	0402-000127	DIODE-RECTIFIER;1N4002,100V,1A,DO-41	
AH92-00303A ASSY-FRONT PCB;SA855P,SAI				UD6	0402-000127	DIODE-RECTIFIER;1N4002,100V,1A,DO-41	
AD105	0402-001077	DIODE-BRIDGE;KBP202G,200V,2A,SIP-4	△	UD7	0402-000127	DIODE-RECTIFIER;1N4002,100V,1A,DO-41	
AQ39	0502-000208	TR-POWER;2SD1762,NPN,80V,50V,3A,2W,TO-2	△	AZD1	0403-000352	DIODE-ZENER,UZ4.7BM,4.7V,4.4-5.0V,500mW	
AIC6	1203-000276	IC-POSI.FIXED REG.:7805,TO-220,3P,-,PLAS	△	AZD2	0403-000352	DIODE-ZENER,UZ4.7BM,4.7V,4.4-5.0V,500mW	
AC22	2401-001928	C-AL:2200UF,20%,35V,GP,BK,16X31MM,7	△	AZD4	0403-000352	DIODE-ZENER,UZ4.7BM,4.7V,4.4-5.0V,500mW	
UC25	2409-000123	C-EDL:4700uF,4uA,5.5V,-,5mm,BK	△	TZD2	0403-000354	DIODE-ZENER,UZ5.1B,5.1V,4.8-5.4V,500mW	
TX1	2801-000734	CRYSTAL-UNIT;7.2MHz,50ppm,28-AAM,12pF,30		UZD1	0403-000355	DIODE-ZENER,UZ5.1BSB,5.1V,4.97-5.18V,500	
UX1	2802-000181	RESONATOR-CERAMIC;6MHz,0.5%,BK,10,0X5.0		TZD1	0403-000372	DIODE-ZENER,UZ9.1BM,9.1V,8.5-9.6V,500mW	
TCF1	2903-000105	FILTER-CERAMIC,BP,10.7MHz+25KHz,180KHz+		AZD3	0403-000379	DIODE-ZENER,UZP12B,12V,11.4-12.6V,1W,DO-	
TCF2	2903-000105	FILTER-CERAMIC,BP,10.7MHz+25KHz,180KHz+		AQ36	0501-000010	TR-SMALL SIGNAL;KSC1008,NPN,800mW,TO-92	
TCF3	2903-000105	FILTER-CERAMIC,BP,10.7MHz+25KHz,180KHz+		AQ38	0501-000010	TR-SMALL SIGNAL;KSC1008,NPN,800mW,TO-92	
TX3	2903-000147	FILTER-CERAMIC,BP,450KHz+0.8KHz,-,S		AQ41	0501-000010	TR-SMALL SIGNAL;KSC1008,NPN,800mW,TO-92	
TCF4	2903-000148	FILTER-CERAMIC,BP,450KHz+1KHz,-,6dB,-,B		AQ42	0501-000010	TR-SMALL SIGNAL;KSC1008,NPN,800mW,TO-92	
RELAY2	3501-001008	RELAY-POWER;12Vdc,530mA,10A,1FormC,15mS,	△	AQ43	0501-000010	TR-SMALL SIGNAL;KSC1008,NPN,800mW,TO-92	
RELAY1	3501-001130	RELAY-POWER;12Vdc,530mA,10A,1FormA,15mS,	△	TQ4	0501-000294	TR-SMALL SIGNAL;KSA708-Y,PNP,800mW,TO-92	
FR1	3601-000319	FUSE-FERRULE;250V,80mA,TIME LAG, GLASS,5x	△	AQ13	0501-000303	TR-SMALL SIGNAL;KSA733,PNP,250mW,TO-92,T	
FR1	3602-000147	FUSE-CLIP;250V,7.5A,30mohm	△	AQ14	0501-000303	TR-SMALL SIGNAL;KSA733,PNP,250mW,TO-92,T	
FR2	3601-000280	FUSE;250V,4A,5X20	△	AQ15	0501-000303	TR-SMALL SIGNAL;KSA733,PNP,250mW,TO-92,T	
FR2	3602-000147	FUSE-CLIP;250V,7.5A,30mohm	△	AQ17	0501-000303	TR-SMALL SIGNAL;KSA733,PNP,250mW,TO-92,T	
AC105	2201-000546	AC CAPACITOR 4.7NF,400V	△	AQ20	0501-000303	TR-SMALL SIGNAL;KSA733,PNP,250mW,TO-92,T	
AC107	2201-000546	AC CAPACITOR 4.7NF,400V	△	AQ31	0501-000303	TR-SMALL SIGNAL;KSA733,PNP,250mW,TO-92,T	
AC108	2201-000546	AC CAPACITOR 4.7NF,400V	△	TQ2	0501-000392	TR-SMALL SIGNAL;KSC838-O,NPN,250mW,TO-92	
AC109	2201-000546	AC CAPACITOR 4.7NF,400V	△	TQ3	0501-000392	TR-SMALL SIGNAL;KSC838-O,NPN,250mW,TO-92	
AIC7	1201-000191	KA458,DIP,8P	△	AQ16	0501-000398	TR-SMALL SIGNAL;KSC945,NPN,250mW,TO-92,T	
ACW1	3711-000724	CONNECTOR-HEADER;BOX,15P,1R,2mm,STRAIGHT		AQ18	0501-000398	TR-SMALL SIGNAL;KSC945,NPN,250mW,TO-92,T	
ACW2	3711-000724	CONNECTOR-HEADER;BOX,15P,1R,2mm,STRAIGHT		AQ19	0501-000398	TR-SMALL SIGNAL;KSC945,NPN,250mW,TO-92,T	
UCW8	3711-000820	CONNECTOR-HEADER;BOX,2P,1R,2.5mm,STRAIGH		AQ23	0501-000398	TR-SMALL SIGNAL;KSC945,NPN,250mW,TO-92,T	
UCW9	3711-000820	CONNECTOR-HEADER;BOX,2P,1R,2.5mm,STRAIGH		AQ24	0501-000398	TR-SMALL SIGNAL;KSC945,NPN,250mW,TO-92,T	
ACW4	3711-001487	CONNECTOR-HEADER;NOVALL,3P,1R,8mm,STRAIG		AQ29	0501-000398	TR-SMALL SIGNAL;KSC945,NPN,250mW,TO-92,T	
ANT	3716-000193	TERMINAL-BLOCK;SOLDER,3P,11mm,-		AQ33	0501-000398	TR-SMALL SIGNAL;KSC945,NPN,250mW,TO-92,T	
FLT	AH07-00015A	VF-DISPLAY;HNA-12SS06,16SEG,100X25,SA870		AQ34	0501-000398	TR-SMALL SIGNAL;KSC945,NPN,250mW,TO-92,T	
UIC1	0803-001015	LC86P6648		AQ34	0501-000398	TR-SMALL SIGNAL;KSC945,NPN,250mW,TO-92,T	
TIC2	AH14-10007G	IC:LC72131,DIP,STICK PLL		TQ1	0501-000398	TR-SMALL SIGNAL;KSC945,NPN,250mW,TO-92,T	
TIC1	AH14-10008B	IC:LA1837,DIP,RF+MPX		UQ3	0501-000398	TR-SMALL SIGNAL;KSC945,NPN,250mW,TO-92,T	
TL1L	AH26-10001A	TRANS-IF-FV-AD-BASE19K/38K,LOW PASS FILT		UQ1	0504-000117	TO-DIGITAL_KSR1002,NPN,300mW,10K-10K,TO-	
TL1R	AH26-10001A	TRANS-IF-FV-AD-BASE19K/38K,LOW PASS FILT		UQ15	0504-000117	TO-DIGITAL_KSR1002,NPN,300mW,10K-10K,TO-	
TL2	AH26-10001E	TRANS-IF-KS940228-09,-,7.6X12.0,-,450K		UQ16	0504-000117	TO-DIGITAL_KSR1002,NPN,300mW,10K-10K,TO-	
TL3	AH26-10020A	TRANS-DET;-7KLL,DET,-,7.6MM,91PF,11.32M		UQ4	0504-000117	TO-DIGITAL_KSR1002,NPN,300mW,10K-10K,TO-	
PT	AH26-80143U	TRANS-POWER;E135*14,220V,50Hz,SA870P		UQ5	0504-000117	TO-DIGITAL_KSR1002,NPN,300mW,10K-10K,TO-	
TL1	AH27-80060L	COIL-OSC;RBW07VB,340uH,MW+RF		AQ22	0504-000118	TR-DIGITAL_KSR1003,NPN,300mW,22K-22K,TO-	
AC/SOK	AH37-00009A	JACK-AC SOCKET;2P,A30400070P,2P,BULK,CP AC		AQ25	0504-000118	TR-DIGITAL_KSR1003,NPN,300mW,22K-22K,TO-	
ACW3	AH37-22001N	JACK-CONNECTOR;10MM,YFW800-02,2P,BULK		AQ26	0504-000118	TR-DIGITAL_KSR1003,NPN,300mW,22K-22K,TO-	
UCW4	AH39-20561D	LEAD CONNECTOR-ASSY;-5264,51088,2P,150M		AQ28	0504-000118	TR-DIGITAL_KSR1003,NPN,300mW,22K-22K,TO-	
UCW7	AH39-20561D	LEAD CONNECTOR-ASSY;-5264,51088,2P,150M		AQ32	0504-000118	TR-DIGITAL_KSR1003,NPN,300mW,22K-22K,TO-	
UCW3	AH39-20561G	LEAD CONNECTOR-ASSY;-51004,35023,12P,15		AQ35	0504-000118	TR-DIGITAL_KSR1003,NPN,300mW,22K-22K,TO-	
UCW6	AH39-20561H	LEAD CONNECTOR-ASSY;-51004,35023,15P,15		AQ37	0504-000118	TR-DIGITAL_KSR1003,NPN,300mW,22K-22K,TO-	
TCW1	AH39-20561J	LEAD CONNECTOR-ASSY;-51004,35023,15P,10		AQ21	0504-001003	TR-DIGITAL_KSR2003,PNP,300mW,22K-22K,TO-	
UCW1	AH39-20561K	LEAD CONNECTOR-ASSY;-51004,35023,15P,20		AQ27	0504-001003	TR-DIGITAL_KSR2003,PNP,300mW,22K-22K,TO-	
UCN1	AH39-00126A	LEAD CONNECTOR-ASSY;-5395,5264,3P,20		AQ30	0504-001003	TR-DIGITAL_KSR2003,PNP,300mW,22K-22K,TO-	
FEP	AH40-10025E	TUNER-FM;FTA4-460H,4G,75ohm		UQ11	0504-001003	TR-DIGITAL_KSR2003,PNP,300mW,22K-22K,TO-	
R/EYE	AH59-60001J	MODULE-REMOCON;GP1U271R,38KHZ,-,MESH,-,		UQ12	0504-001003	TR-DIGITAL_KSR2003,PNP,300mW,22K-22K,TO-	
	AH61-20524A	HOLDER-FLT;-ABS,-,SA-880A		UQ13	0504-001003	TR-DIGITAL_KSR2003,PNP,300mW,22K-22K,TO-	
AD12	0401-000101	DIODE-SWITCHING;1N4148,100V,200mA,500mW		UQ14	0504-001003	TR-DIGITAL_KSR2003,PNP,300mW,22K-22K,TO-	
AD14	0401-000101	DIODE-SWITCHING;1N4148,100V,200mA,500mW		ULD1	0601-001238	LED;ROUND,RED,3.1mm,650nm	
AD18	0401-000101	DIODE-SWITCHING;1N4148,100V,200mA,500mW		ULD2	0601-001238	LED;ROUND,RED,3.1mm,650nm	
AD10	0401-000101	DIODE-SWITCHING;1N4148,100V,200mA,500mW		ULD5	0601-001232	LED;ROUND,GRN,3.1mm,556nm	
AD100	0401-000101	DIODE-SWITCHING;1N4148,100V,200mA,500mW		ULD6	0601-001232	LED;ROUND,GRN,3.1mm,556nm	
AD101	0401-000101	DIODE-SWITCHING;1N4148,100V,200mA,500mW		ULD7	0601-001232	LED;ROUND,GRN,3.1mm,556nm	
AD103	0401-000101	DIODE-SWITCHING;1N4148,100V,200mA,500mW		ULD8	0601-001232	LED;ROUND,GRN,3.1mm,556nm	
AD11	0401-000101	DIODE-SWITCHING;1N4148,100V,200mA,500mW		TR42	2001-000003	R-CARBON;330ohm,5%,1/8W,AA,TP,1.8x3.2mm	
AD13	0401-000101	DIODE-SWITCHING;1N4148,100V,200mA,500mW		UR1	2001-000003	R-CARBON;330ohm,5%,1/8W,AA,TP,1.8x3.2mm	
AD15	0401-000101	DIODE-SWITCHING;1N4148,100V,200mA,500mW		TR9	2001-000005	R-CARBON;390ohm,5%,1/8W,AA,TP,1.8x3.2mm	
AD22	0401-000101	DIODE-SWITCHING;1N4148,100V,200mA,500mW		TR43	2001-000008	R-CARBON;15Kohm,5%,1/8W,AA,TP,1.8x3.2mm	
AD9	0401-000101	DIODE-SWITCHING;1N4148,100V,200mA,500mW		AR49	2001-000008	R-CARBON;15Kohm,5%,1/8W,AA,TP,1.8x3.2mm	
TD1	0401-000101	DIODE-SWITCHING;1N4148,100V,200mA,500mW		UR44	2001-000008	R-CARBON;15Kohm,5%,1/8W,AA,TP,1.8x3.2mm	
TD2	0401-000101	DIODE-SWITCHING;1N4148,100V,200mA,500mW		UR52	2001-000008	R-CARBON;15Kohm,5%,1/8W,AA,TP,1.8x3.2mm	
TD3	0401-000101	DIODE-SWITCHING;1N4148,100V,200mA,500mW		UR60	2001-000008	R-CARBON;15Kohm,5%,1/8W,AA,TP,1.8x3.2mm	
TD4	0401-000101	DIODE-SWITCHING;1N4148,100V,200mA,500mW		AR57	2001-000010	R-CARBON;68Kohm,5%,1/8W,AA,TP,1.8x3.2mm	
TD5	0401-000101	DIODE-SWITCHING;1N4148,100V,200mA,500mW		UR8	2001-000020	R-CARBON(S);22ohm,5%,1/2W,AA,TP,2.4x6.4mm	
TD6	0401-000101	DIODE-SWITCHING;1N4148,100V,200mA,500mW		UR9	2001-000020	R-CARBON(S);22ohm,5%,1/2W,AA,TP,2.4x6.4mm	
TD7	0401-000101	DIODE-SWITCHING;1N4148,100V,200mA,500mW		UR7	2001-000042	R-CARBON;1Kohm,5%,1/4W,AA,TP,2.4x6.4mm	
TD8	0401-000101	DIODE-SWITCHING;1N4148,100V,200mA,500mW		AR70	2001-000044	R-CARBON;1.2Kohm,5%,1/4W,AA,TP,2.4x6.4mm	
UD1	0401-000101	DIODE-SWITCHING;1N4148,100V,200mA,500mW		TR36	2001-000057	R-CARBON;5.1Kohm,5%,1/8W,AA,TP,1.8x3.2mm	

Location no.	Code no.	Description & Specification	Remarks	Location no.	Code no.	Description & Specification	Remarks
TR37	2001-000057	R-CARBON;5.1Kohm,5%,1/8W,AA,TP,1.8x3.2mm		AR210	2001-000522	R-CARBON;22Kohm,5%,1/8W,AA,TP,1.8x3.2mm	
UR37	2001-000062	R-CARBON;470ohm,5%,1/4W,AA,TP,2.4x6.4mm		AR51	2001-000522	R-CARBON;22Kohm,5%,1/8W,AA,TP,1.8x3.2mm	
UR63	2001-000062	R-CARBON;470ohm,5%,1/4W,AA,TP,2.4x6.4mm		AR55	2001-000522	R-CARBON;22Kohm,5%,1/8W,AA,TP,1.8x3.2mm	
TR23	2001-000117	R-CARBON(S);68ohm,5%,1/2W,AA,TP,2.4x6.4mm		AR56	2001-000522	R-CARBON;22Kohm,5%,1/8W,AA,TP,1.8x3.2mm	
UR38	2001-000221	R-CARBON;1.2Kohm,5%,1/8W,AA,TP,1.8x3.2mm		AR60	2001-000522	R-CARBON;22Kohm,5%,1/8W,AA,TP,1.8x3.2mm	
UR46	2001-000221	R-CARBON;1.2Kohm,5%,1/8W,AA,TP,1.8x3.2mm		AR202	2001-000552	R-CARBON;270OHM,5%,1/4W,AA,TP,2.4x6.4MM	
UR24	2001-000221	R-CARBON;1.2Kohm,5%,1/8W,AA,TP,1.8x3.2mm		TR20	2001-000591	R-CARBON;3.3Kohm,5%,1/8W,AA,TP,1.8x3.2mm	
TR13	2001-000241	R-CARBON;1.5Kohm,5%,1/8W,AA,TP,1.8x3.2mm		AR76	2001-000591	R-CARBON;3.3Kohm,5%,1/8W,AA,TP,1.8x3.2mm	
UR39	2001-000258	R-CARBON;1.8Kohm,5%,1/8W,AA,TP,1.8x3.2mm		AR83	2001-000591	R-CARBON;3.3Kohm,5%,1/8W,AA,TP,1.8x3.2mm	
UR47	2001-000258	R-CARBON;1.8Kohm,5%,1/8W,AA,TP,1.8x3.2mm		AR84	2001-000591	R-CARBON;3.3Kohm,5%,1/8W,AA,TP,1.8x3.2mm	
UR55	2001-000258	R-CARBON;1.8Kohm,5%,1/8W,AA,TP,1.8x3.2mm		TR16	2001-000591	R-CARBON;3.3Kohm,5%,1/8W,AA,TP,1.8x3.2mm	
AR209	2001-000273	R-CARBON;100Kohm,5%,1/8W,AA,TP,1.8x3.2mm		TR17	2001-000591	R-CARBON;3.3Kohm,5%,1/8W,AA,TP,1.8x3.2mm	
AR72	2001-000273	R-CARBON;100Kohm,5%,1/8W,AA,TP,1.8x3.2mm		TR21	2001-000591	R-CARBON;3.3Kohm,5%,1/8W,AA,TP,1.8x3.2mm	
AR78	2001-000273	R-CARBON;100Kohm,5%,1/8W,AA,TP,1.8x3.2mm		TR5	2001-000591	R-CARBON;3.3Kohm,5%,1/8W,AA,TP,1.8x3.2mm	
TR2	2001-000273	R-CARBON;100Kohm,5%,1/8W,AA,TP,1.8x3.2mm		AR58	2001-000613	R-CARBON;3.9Kohm,5%,1/8W,AA,TP,1.8x3.2mm	
TR38	2001-000273	R-CARBON;100Kohm,5%,1/8W,AA,TP,1.8x3.2mm		TR18	2001-000613	R-CARBON;3.9Kohm,5%,1/8W,AA,TP,1.8x3.2mm	
TR39	2001-000273	R-CARBON;100Kohm,5%,1/8W,AA,TP,1.8x3.2mm		AR250	2001-000660	R-CARBON;33Kohm,5%,1/8W,AA,TP,1.8x3.2mm	
UR3	2001-000273	R-CARBON;100Kohm,5%,1/8W,AA,TP,1.8x3.2mm		AR203	2001-000660	R-CARBON;33Kohm,5%,1/8W,AA,TP,1.8x3.2mm	
UR6	2001-000273	R-CARBON;100Kohm,5%,1/8W,AA,TP,1.8x3.2mm		AR77	2001-000660	R-CARBON;33Kohm,5%,1/8W,AA,TP,1.8x3.2mm	
AR211	2001-000281	R-CARBON;100ohm,5%,1/8W,AA,TP,1.8x3.2mm		AR79	2001-000702	R-CARBON;39Kohm,5%,1/8W,AA,TP,1.8x3.2mm	
TR12	2001-000281	R-CARBON;100ohm,5%,1/8W,AA,TP,1.8x3.2mm		UR11	2001-000702	R-CARBON;39Kohm,5%,1/8W,AA,TP,1.8x3.2mm	
UR68	2001-000281	R-CARBON;100ohm,5%,1/8W,AA,TP,1.8x3.2mm		UR19	2001-000702	R-CARBON;39Kohm,5%,1/8W,AA,TP,1.8x3.2mm	
UR71	2001-000281	R-CARBON;100ohm,5%,1/8W,AA,TP,1.8x3.2mm		UR29	2001-000734	R-CARBON;4.7Kohm,5%,1/8W,AA,TP,1.8x3.2mm	
TR54	2001-000281	R-CARBON;100ohm,5%,1/8W,AA,TP,1.8x3.2mm		UR30	2001-000734	R-CARBON;4.7Kohm,5%,1/8W,AA,TP,1.8x3.2mm	
AR165	2001-000290	R-CARBON;10Kohm,5%,1/8W,AA,TP,1.8x3.2mm		UR31	2001-000734	R-CARBON;4.7Kohm,5%,1/8W,AA,TP,1.8x3.2mm	
AR168	2001-000290	R-CARBON;10Kohm,5%,1/8W,AA,TP,1.8x3.2mm		UR32	2001-000734	R-CARBON;4.7Kohm,5%,1/8W,AA,TP,1.8x3.2mm	
AR200	2001-000290	R-CARBON;10Kohm,5%,1/8W,AA,TP,1.8x3.2mm		UR33	2001-000734	R-CARBON;4.7Kohm,5%,1/8W,AA,TP,1.8x3.2mm	
AR201	2001-000290	R-CARBON;10Kohm,5%,1/8W,AA,TP,1.8x3.2mm		UR35	2001-000734	R-CARBON;4.7Kohm,5%,1/8W,AA,TP,1.8x3.2mm	
AR44	2001-000290	R-CARBON;10Kohm,5%,1/8W,AA,TP,1.8x3.2mm		UR36	2001-000734	R-CARBON;4.7Kohm,5%,1/8W,AA,TP,1.8x3.2mm	
AR45	2001-000290	R-CARBON;10Kohm,5%,1/8W,AA,TP,1.8x3.2mm		UR73	2001-000734	R-CARBON;4.7Kohm,5%,1/8W,AA,TP,1.8x3.2mm	
AR52	2001-000290	R-CARBON;10Kohm,5%,1/8W,AA,TP,1.8x3.2mm		UR74	2001-000734	R-CARBON;4.7Kohm,5%,1/8W,AA,TP,1.8x3.2mm	
AR53	2001-000290	R-CARBON;10Kohm,5%,1/8W,AA,TP,1.8x3.2mm		UR75	2001-000734	R-CARBON;4.7Kohm,5%,1/8W,AA,TP,1.8x3.2mm	
AR59	2001-000290	R-CARBON;10Kohm,5%,1/8W,AA,TP,1.8x3.2mm		AR41	2001-000734	R-CARBON;4.7Kohm,5%,1/8W,AA,TP,1.8x3.2mm	
TR10	2001-000290	R-CARBON;10Kohm,5%,1/8W,AA,TP,1.8x3.2mm		AR48	2001-000734	R-CARBON;4.7Kohm,5%,1/8W,AA,TP,1.8x3.2mm	
TR26	2001-000290	R-CARBON;10Kohm,5%,1/8W,AA,TP,1.8x3.2mm		UR25	2001-000734	R-CARBON;4.7Kohm,5%,1/8W,AA,TP,1.8x3.2mm	
TR34	2001-000290	R-CARBON;10Kohm,5%,1/8W,AA,TP,1.8x3.2mm		AR50	2001-000734	R-CARBON;4.7Kohm,5%,1/8W,AA,TP,1.8x3.2mm	
TR35	2001-000290	R-CARBON;10Kohm,5%,1/8W,AA,TP,1.8x3.2mm		AR62	2001-000734	R-CARBON;4.7Kohm,5%,1/8W,AA,TP,1.8x3.2mm	
UR13	2001-000290	R-CARBON;10Kohm,5%,1/8W,AA,TP,1.8x3.2mm		TR1	2001-000734	R-CARBON;4.7Kohm,5%,1/8W,AA,TP,1.8x3.2mm	
UR14	2001-000290	R-CARBON;10Kohm,5%,1/8W,AA,TP,1.8x3.2mm		TR24	2001-000734	R-CARBON;4.7Kohm,5%,1/8W,AA,TP,1.8x3.2mm	
UR15	2001-000290	R-CARBON;10Kohm,5%,1/8W,AA,TP,1.8x3.2mm		TR31	2001-000734	R-CARBON;4.7Kohm,5%,1/8W,AA,TP,1.8x3.2mm	
UR16	2001-000290	R-CARBON;10Kohm,5%,1/8W,AA,TP,1.8x3.2mm		UR42	2001-000734	R-CARBON;4.7Kohm,5%,1/8W,AA,TP,1.8x3.2mm	
UR28	2001-000290	R-CARBON;10Kohm,5%,1/8W,AA,TP,1.8x3.2mm		UR50	2001-000734	R-CARBON;4.7Kohm,5%,1/8W,AA,TP,1.8x3.2mm	
UR17	2001-000290	R-CARBON;10Kohm,5%,1/8W,AA,TP,1.8x3.2mm		UR58	2001-000734	R-CARBON;4.7Kohm,5%,1/8W,AA,TP,1.8x3.2mm	
UR80	2001-000290	R-CARBON;10Kohm,5%,1/8W,AA,TP,1.8x3.2mm		AR75	2001-000773	R-CARBON;470Kohm,5%,1/8W,AA,TP,1.8x3.2mm	
TR14	2001-000290	R-CARBON;10Kohm,5%,1/8W,AA,TP,1.8x3.2mm		AR63	2001-000780	R-CARBON;470ohm,5%,1/8W,AA,TP,1.8x3.2mm	
UR2	2001-000290	R-CARBON;10Kohm,5%,1/8W,AA,TP,1.8x3.2mm		TR29	2001-000780	R-CARBON;470ohm,5%,1/8W,AA,TP,1.8x3.2mm	
UR5	2001-000290	R-CARBON;10Kohm,5%,1/8W,AA,TP,1.8x3.2mm		UR53	2001-000786	R-CARBON;47Kohm,5%,1/8W,AA,TP,1.8x3.2mm	
TR27	2001-000302	R-CARBON;10ohm,5%,1/8W,AA,TP,1.8x3.2mm		UR69	2001-000786	R-CARBON;47Kohm,5%,1/8W,AA,TP,1.8x3.2mm	
TR40	2001-000319	R-CARBON;120Kohm,5%,1/8W,AA,TP,1.8x3.2mm		UR70	2001-000786	R-CARBON;47Kohm,5%,1/8W,AA,TP,1.8x3.2mm	
TR41	2001-000319	R-CARBON;120Kohm,5%,1/8W,AA,TP,1.8x3.2mm		UR45	2001-000786	R-CARBON;47Kohm,5%,1/8W,AA,TP,1.8x3.2mm	
AR73	2001-000331	R-CARBON;12Kohm,5%,1/8W,AA,TP,1.8x3.2mm		UR61	2001-000786	R-CARBON;47Kohm,5%,1/8W,AA,TP,1.8x3.2mm	
TR11	2001-000331	R-CARBON;12Kohm,5%,1/8W,AA,TP,1.8x3.2mm		AR54	2001-000786	R-CARBON;47Kohm,5%,1/8W,AA,TP,1.8x3.2mm	
TR15	2001-000411	R-CARBON;18Kohm,5%,1/8W,AA,TP,1.8x3.2mm		AR74	2001-000786	R-CARBON;47Kohm,5%,1/8W,AA,TP,1.8x3.2mm	
AR46	2001-000429	R-CARBON;1Kohm,5%,1/8W,AA,TP,1.8x3.2mm		UR10	2001-000793	R-CARBON;47ohm,5%,1/8W,AA,TP,1.8x3.2mm	
TR7	2001-000429	R-CARBON;1Kohm,5%,1/8W,AA,TP,1.8x3.2mm		TR55	2001-000857	R-CARBON;560OHM,5%,1/8W,AA,TP,1.8x3.2M	
UR20	2001-000429	R-CARBON;1Kohm,5%,1/8W,AA,TP,1.8x3.2mm		TR25	2001-000802	R-CARBON;5.6KOHM,5%,1/8W,AA,TP,1.8x3.2M	
UR23	2001-000429	R-CARBON;1Kohm,5%,1/8W,AA,TP,1.8x3.2mm		UR10	2001-000864	R-CARBON;56Kohm,5%,1/8W,AA,TP,1.8x3.2mm	
UR72	2001-000429	R-CARBON;1Kohm,5%,1/8W,AA,TP,1.8x3.2mm		AR61	2001-000864	R-CARBON;56Kohm,5%,1/8W,AA,TP,1.8x3.2mm	
UR51	2001-000429	R-CARBON;1Kohm,5%,1/8W,AA,TP,1.8x3.2mm		AR80	2001-000864	R-CARBON;56Kohm,5%,1/8W,AA,TP,1.8x3.2mm	
UR76	2001-000429	R-CARBON;1Kohm,5%,1/8W,AA,TP,1.8x3.2mm		UR12	2001-000864	R-CARBON;56Kohm,5%,1/8W,AA,TP,1.8x3.2mm	
UR26	2001-000429	R-CARBON;1Kohm,5%,1/8W,AA,TP,1.8x3.2mm		UR43	2001-000890	R-CARBON;6.8Kohm,5%,1/8W,AA,TP,1.8x3.2mm	
UR27	2001-000429	R-CARBON;1Kohm,5%,1/8W,AA,TP,1.8x3.2mm		UR18	2001-000890	R-CARBON;6.8Kohm,5%,1/8W,AA,TP,1.8x3.2mm	
UR77	2001-000429	R-CARBON;1Kohm,5%,1/8W,AA,TP,1.8x3.2mm		UR59	2001-000890	R-CARBON;6.8Kohm,5%,1/8W,AA,TP,1.8x3.2mm	
UR4	2001-000429	R-CARBON;1Kohm,5%,1/8W,AA,TP,1.8x3.2mm		UR54	2001-000890	R-CARBON;68Kohm,5%,1/8W,AA,TP,1.8x3.2mm	
UR62	2001-000429	R-CARBON;1Kohm,5%,1/8W,AA,TP,1.8x3.2mm		UR64	2001-000890	R-CARBON;68Kohm,5%,1/8W,AA,TP,1.8x3.2mm	
TR51	2001-000429	R-CARBON;1Kohm,5%,1/8W,AA,TP,1.8x3.2mm		AR204	2001-000977	R-CARBON;8.2Kohm,5%,1/8W,AA,TP,1.8x3.2mm	
TR52	2001-000429	R-CARBON;1Kohm,5%,1/8W,AA,TP,1.8x3.2mm		AR85	2001-000977	R-CARBON;8.2Kohm,5%,1/8W,AA,TP,1.8x3.2mm	
TR53	2001-000429	R-CARBON;1Kohm,5%,1/8W,AA,TP,1.8x3.2mm		AR47	2001-000977	R-CARBON;8.2Kohm,5%,1/8W,AA,TP,1.8x3.2mm	
UR65	2001-000449	R-CARBON;2.2Kohm,5%,1/8W,AA,TP,1.8x3.2mm		TR33	2001-000977	R-CARBON;8.2Kohm,5%,1/8W,AA,TP,1.8x3.2mm	
UR66	2001-000449	R-CARBON;2.2Kohm,5%,1/8W,AA,TP,1.8x3.2mm		TR22	2001-001138	R-CARBON(S);390ohm,5%,1/2W,AA,TP,2.4x6.4	
UR67	2001-000449	R-CARBON;2.2Kohm,5%,1/8W,AA,TP,1.8x3.2mm		AR66	2003-000008	R-METAL OXIDE(S);100ohm,5%,1W,AA,TP,3.3x	
AR40	2001-000449	R-CARBON;2.2Kohm,5%,1/8W,AA,TP,1.8x3.2mm		AR69	2003-000603	R-METAL OXIDE(S);270ohm,5%,1W,AA,TP,3.3x	
AR64	2001-000449	R-CARBON;2.2Kohm,5%,1/8W,AA,TP,1.8x3.2mm		TSVR1	2103-000171	VR-SEMI;10Kohm,30%,1/10W,TOP	
TR28	2001-000449	R-CARBON;2.2Kohm,5%,1/8W,AA,TP,1.8x3.2mm		TC35	2201-000146	C-CERAMIC,DISC;100pF,5%,50V,SL,TP,5x3.5	
TR3	2001-000449	R-CARBON;2.2Kohm,5%,1/8W,AA,TP,1.8x3.2mm		TC37	2201-000146	C-CERAMIC,DISC;100pF,5%,50V,SL,TP,5x3.5	
TR30	2001-000449	R-CARBON;2.2Kohm,5%,1/8W,AA,TP,1.8x3.2mm		TC6	2201-000163	C-CERAMIC,DISC;10nF,79.8,50V,Y5V,TP,6.5x	
TR32	2001-000449	R-CARBON;2.2Kohm,5%,1/8W,AA,TP,1.8x3.2mm		TC29	2201-000247	C-CERAMIC,DISC;15pF,5%,50V,CH,TP,5x3.5	
UR40	2001-000449	R-CARBON;2.2Kohm,5%,1/8W,AA,TP,1.8x3.2mm		TC51	2201-000247	C-CERAMIC,DISC;15pF,5%,50V,CH,TP,5x3.5	
UR48	2001-000449	R-CARBON;2.2Kohm,5%,1/8W,AA,TP,1.8x3.2mm		TC2	2201-000273	C-CERAMIC,DISC;18pF,5%,50V,CH,TP,5x3mm,5	
UR56	2001-000449	R-CARBON;2.2Kohm,5%,1/8W,AA,TP,1.8x3.2mm		TC42	2201-000280	C-CERAMIC,DISC;180pF,5%,50V,CH,TP,5x3mm,5	
AR206	2001-000472	R-CARBON;2.7Kohm,5%,1/8W,AA,TP,1.8x3.2mm		TC4	2201-000381	C-CERAMIC,DISC;22nF,20%,50V,Y5V,8.0X4.0m	
AR67	2001-000472	R-CARBON;2.7Kohm,5%,1/8W,AA,TP,1.8x3.2mm		TC7	2201-000381	C-CERAMIC,DISC;22nF,20%,50V,Y5V,8.0X4.0m	
TR8	2001-000472	R-CARBON;2.7Kohm,5%,1/8W,AA,TP,1.8x3.2mm		TC8	2201-000381	C-CERAMIC,DISC;22nF,20%,50V,Y5V,8.0X4.0m	
UR41	2001-000472	R-CARBON;2.7Kohm,5%,1/8W,AA,TP,1.8x3.2mm		TC28	2201-000423	C-CERAMIC,DISC;27pF,5%,50V,NPO,TP,5x3.2	
UR49	2001-000472	R-CARBON;2.7Kohm,5%,1/8W,AA,TP,1.8x3.2mm		UC17	2201-000487	C-CERAMIC,DISC;33pF,5%,50V,SL,TP,5x3.5m	
UR57	2001-000472	R-CARBON;2.7Kohm,5%,1/8W,AA,TP,1.8x3.2mm		UC18	2201-000487	C-CERAMIC,DISC;33pF,5%,50V,SL,TP,5x3.5m	
AR43	2001-000508	R-CARBON;220ohm,5%,1/8W,AA,TP,1.8x3.2mm		TC36	2201-000557	C-CERAMIC,DISC;470pF,10%,50V,SL,TP,8x4.5	
UR21	2001-000515	R-CARBON;220ohm,5%,1/8W,AA,TP,1.8x3.2mm		TC10	2201-000565	C-CERAMIC,DISC;47nF,20%,50V,Y5V,12.	

Location no.	Code no.	Description & Specification	Remarks	Location no.	Code no.	Description & Specification	Remarks
UC2	2201-000665	C-CERAMIC,DISC,47nF,20%,50V,Y5V,12.5X4.0		PIK3	1001-001016	IC-ANALOG SWITCH,LC78211,CMOS,DP,30P,33	
UC3	2201-000665	C-CERAMIC,DISC,47nF,20%,50V,Y5V,12.5X4.0		EV1R	3406-001022	4V0.5mA,24PLS	
UC4	2201-000665	C-CERAMIC,DISC,47nF,20%,50V,Y5V,12.5X4.0		ECN1	3711-000898	5268-03	
UC11	2201-000665	C-CERAMIC,DISC,47nF,20%,50V,Y5V,12.5X4.0		PIC19	1203-000276	IC-POSI.FIXED REG.,7805,TO-220,3P,-,PLAS	△
TC16	2201-000642	C-CERAMIC,DISC,680pF,10%,50V,Y5P,TP,5x3,		PIC18	1203-000299	IC-POSI.FIXED REG.,7809,TO-220,3P,-,PLAS	△
TC3	2201-000783	C-CERAMIC,DISC,100nF,+80%,-20%,50V,Y5V,-		PIC1	1204-001314	IC-SOUND PROCESSOR,M62460FP,QFP,80P,-,PL	
AC101	2201-000783	C-CERAMIC,DISC,100nF,+80%,-20%,50V,Y5V,-		PC53	2401-000118	C-AL:100uF,20%,10V,GP,TP,1.0x1.2,5.5	
AC102	2201-000783	C-CERAMIC,DISC,100nF,+80%,-20%,50V,Y5V,-		PX1	2802-000158	RESONATOR-CERAMIC,4MHz,0.5%,TP,10,0x5.0x	
AC26	2201-000783	C-CERAMIC,DISC,100nF,+80%,-20%,50V,Y5V,-		PCW2	3711-000724	CONNECTOR-HEADER,BOX,15P,1R,2mm,STRAIGHT	
TC1	2201-000783	C-CERAMIC,DISC,100nF,+80%,-20%,50V,Y5V,-		VCW9	3711-001137	CONNECTOR-HEADER,BOX,15P,1R,2mm,STRAIGHT	
UC12	2301-000437	C-FILM,PEF,39NF,10%,50V,TP,9X12.5X4.5,6M		VJACK2	3722-000375	JACK-RC,4P/2C,3.5mm,SN,BLK,#16-22	
UC13	2301-000437	C-FILM,PEF,39NF,10%,50V,TP,9X12.5X4.5,6M		JK1	3722-000393	JACK-RC,12P/8C,3.5mm,SN,BLK,#16-22	
UC16	2301-000437	C-FILM,PEF,39NF,10%,50V,TP,9X12.5X4.5,6M		JK2	3722-000393	JACK-RC,12P/8C,3.5mm,SN,BLK,#16-22	
UC22	2301-000437	C-FILM,PEF,39NF,10%,50V,TP,9X12.5X4.5,6M		JK3	3722-000393	JACK-RC,12P/8C,3.5mm,SN,BLK,#16-22	
UC14	2202-000780	C-CERAMIC,MLC,AXIAL,100nF,+80-20%,50V,Y5		VIC1	AH14-100084	IC-VIDEO SWITCHING,IC VIDEO-SW,BA7626	
UC15	2202-000780	C-CERAMIC,MLC,AXIAL,100nF,+80-20%,50V,Y5		VJACK1	AH37-22001K	JACK-PIN,42.8MM,S-456A-03,3P,BULK-	
UC51	2202-000853	C-CERAMIC,MLC,AXIAL,4.7NF,30%,16V,Y5R,TP		PCW1	AH39-20561J	LEAD CONNECTOR-ASSY,-51004,35023,15P,10	
TC15	2301-000430	C-FILM,PEF,39NF,10%,50V,TP,7.5X11X4MM,5M		PIC2	1204-001028	IC-VOLUME,M62446FP,SOP-	
TC1L	2301-000437	C-FILM,PEF,39NF,10%,50V,TP,9X12.5X4.5,6M		PD2	0401-000101	DIODE-SWITCHING:1N4148,100V,200mA,500mW,	
TC1R	2301-000437	C-FILM,PEF,39NF,10%,50V,TP,9X12.5X4.5,6M		PD3	0401-000101	DIODE-SWITCHING:1N4148,100V,200mA,500mW,	
TC22	2301-000449	C-FILM,PEF,47NF,10%,50V,TP,8X11X4.5MM,5M		PD1	0401-000101	DIODE-ZENER,UZS.1B,5.1V,4.8-5.4V,500M/W,D	
AC106	2401-000303	C-AL:100uF,20%,25V,GP,TP,6.3x11,2.5		PZD4	0403-000354	DIODE-ZENER,UZS.1B,5.1V,4.8-5.4V,500M/W,D	
AC19	2401-000303	C-AL:100uF,20%,25V,GP,TP,6.3x11,2.5		PZD1	0403-000363	DIODE-ZENER,UZ6.8BH,6.8V,6.8-7.2V,500mW,	
TC20	2401-000303	C-AL:100uF,20%,25V,GP,TP,6.3x11,2.5		PZD2	0403-000363	DIODE-ZENER,UZ6.8BH,6.8V,6.8-7.2V,500mW,	
UC5	2401-000303	C-AL:100uF,20%,25V,GP,TP,6.3x11,2.5		PZD3	0403-000363	DIODE-ZENER,UZ6.8BH,6.8V,6.8-7.2V,500mW,	
TC17	2401-000419	C-AL:100uF,20%,16V,GP,4X7,5		PZD5	0403-000363	DIODE-ZENER,UZ6.8BH,6.8V,6.8-7.2V,500mW,	
TC18	2401-000419	C-AL:100uF,20%,16V,GP,4X7,5		PQ16	0501-000010	TR-SMALL SIGNAL,KSC1008,NPN,800mW,TO-92,	
TC19	2401-000419	C-AL:100uF,20%,16V,GP,4X7,5		PQ17	0501-000010	TR-SMALL SIGNAL,KSC1008,NPN,800mW,TO-92,	
TC23	2401-000419	C-AL:100uF,20%,16V,GP,4X7,5		VQ1	0501-000303	TR-SMALL SIGNAL,KSA733,PNP,250mW,TO-92,T	
UC109	2401-000649	C-AL:2.2UF,20%,50V,NP,-,4X7,5		VQ2	0501-000303	TR-SMALL SIGNAL,KSA733,PNP,250mW,TO-92,T	
UC110	2401-000649	C-AL:2.2UF,20%,50V,NP,-,4X7,5		PQ11	0504-000118	TR-DIGITAL,KSR1003,NPN,300mW,22K-22K,TO-	
UC111	2401-000649	C-AL:2.2UF,20%,50V,NP,-,4X7,5		PQ13	0504-000118	TR-DIGITAL,KSR1003,NPN,300mW,22K-22K,TO-	
UC10	2401-000475	C-AL:100uF,20%,50V,GP,-,5x11,2mm		PQ15	0504-000118	TR-DIGITAL,KSR1003,NPN,300mW,22K-22K,TO-	
AC100	2401-000830	C-AL:220uF,20%,25V,GP,-,8x11,5,3.5m		PQ3	0504-000118	TR-DIGITAL,KSR1003,NPN,300mW,22K-22K,TO-	
TC30	2401-000830	C-AL:220uF,20%,25V,GP,-,8x11,5,3.5m		PQ4	0504-000118	TR-DIGITAL,KSR1003,NPN,300mW,22K-22K,TO-	
TC33	2401-000830	C-AL:220uF,20%,25V,GP,-,8x11,5,3.5m		PQ6	0504-000118	TR-DIGITAL,KSR1003,NPN,300mW,22K-22K,TO-	
TC13	2401-001022	C-AL:3.3uF,20%,50V,GP,-,5x11,2mm		PQ7	0504-000118	TR-DIGITAL,KSR1003,NPN,300mW,22K-22K,TO-	
TC12	2401-001164	C-AL:33uF,20%,16V,GP,-,5x11,2mm		PQ9	0504-000118	TR-DIGITAL,KSR1003,NPN,300mW,22K-22K,TO-	
TC40	2401-001954	C-AL:4.7uF,20%,50V,GP,BK,5x11mm,5		PQ1	0504-001003	TR-DIGITAL,KSR2003,PNP,300M,22K-22K,TO-	
TC41	2401-001954	C-AL:4.7uF,20%,50V,GP,BK,5x11mm,5		PQ10	0504-001003	TR-DIGITAL,KSR2003,PNP,300M,22K-22K,TO-	
AC103	2401-001538	C-AL:47uF,20%,25V,GP,-,6X11,2.5MM		PQ12	0504-001003	TR-DIGITAL,KSR2003,PNP,300M,22K-22K,TO-	
AC20	2401-001538	C-AL:47uF,20%,25V,GP,-,6X11,2.5MM		PQ14	0504-001003	TR-DIGITAL,KSR2003,PNP,300M,22K-22K,TO-	
AC23	2401-001538	C-AL:47uF,20%,25V,GP,-,6X11,2.5MM		PQ2	0504-001003	TR-DIGITAL,KSR2003,PNP,300M,22K-22K,TO-	
AC25	2401-001538	C-AL:47uF,20%,25V,GP,-,6X11,2.5MM		PQ5	0504-001003	TR-DIGITAL,KSR2003,PNP,300M,22K-22K,TO-	
TC27	2401-001538	C-AL:47uF,20%,25V,GP,-,6X11,2.5MM		PQ8	0504-001003	TR-DIGITAL,KSR2003,PNP,300M,22K-22K,TO-	
TC9	2401-001538	C-AL:47uF,20%,25V,GP,-,6X11,2.5MM		PIC10	1001-000105	IC-ANALOG SWITCH,CD4066BM,BILATERAL CMOS	
UC21	2401-001538	C-AL:47uF,20%,25V,GP,-,6X11,2.5MM		PIC11	1001-000105	IC-ANALOG SWITCH,CD4066BM,BILATERAL CMOS	
UC23	2401-001538	C-AL:47uF,20%,25V,GP,-,6X11,2.5MM		PIC16	1001-000105	IC-ANALOG SWITCH,CD4066BM,BILATERAL CMOS	
UC24	2401-001538	C-AL:47uF,20%,25V,GP,-,6X11,2.5MM		PIC9	1001-000105	IC-ANALOG SWITCH,CD4066BM,BILATERAL CMOS	
UC7	2401-001538	C-AL:47uF,20%,25V,GP,-,6X11,2.5MM		PIC12	1201-000163	IC-OP AMP,4560,SOP,8P,150MIL,DUAL,100V/M	
UC8	2401-001538	C-AL:47uF,20%,25V,GP,-,6X11,2.5MM		PIC13	1201-000163	IC-OP AMP,4560,SOP,8P,150MIL,DUAL,100V/M	
AC27	2401-001912	C-AL:1uF,20%,50V,GP,5x11mm,2mm,BK		PIC14	1201-000163	IC-OP AMP,4560,SOP,8P,150MIL,DUAL,100V/M	
TC24	2401-001912	C-AL:1uF,20%,50V,GP,5x11mm,2mm,BK		PIC17	1201-000163	IC-OP AMP,4560,SOP,8P,150MIL,DUAL,100V/M	
TC26	2401-001912	C-AL:1uF,20%,50V,GP,5x11mm,2mm,BK		PIC4	1201-000163	IC-OP AMP,4560,SOP,8P,150MIL,DUAL,100V/M	
TC38	2401-001912	C-AL:1uF,20%,50V,GP,5x11mm,2mm,BK		PIC5	1201-000163	IC-OP AMP,4560,SOP,8P,150MIL,DUAL,100V/M	
UC1	2401-001912	C-AL:1uF,20%,50V,GP,5x11mm,2mm,BK		PIC6	1201-000163	IC-OP AMP,4560,SOP,8P,150MIL,DUAL,100V/M	
TC14	2401-001938	C-AL:22UF,20%,25V,GP,BK,5X11MM,2MM		PIC7	1201-000163	IC-OP AMP,4560,SOP,8P,150MIL,DUAL,100V/M	
TC32	2401-001938	C-AL:22UF,20%,25V,GP,BK,5X11MM,2MM		PIC8	1201-000163	IC-OP AMP,4560,SOP,8P,150MIL,DUAL,100V/M	
UC9	2401-001938	C-AL:22UF,20%,25V,GP,BK,5X11MM,2MM		MR6L	2001-000008	R-CARBON:15Kohm,5%,1/8W,AA,TP,1.8x3.2mm	
AC21	2401-001954	C-AL:4.7uF,20%,50V,GP,BK,5x11mm,5		MR6R	2001-000008	R-CARBON:15Kohm,5%,1/8W,AA,TP,1.8x3.2mm	
AC24	2401-001954	C-AL:4.7uF,20%,50V,GP,BK,5x11mm,5		PR16L	2001-000008	R-CARBON:15Kohm,5%,1/8W,AA,TP,1.8x3.2mm	
AC104	2401-001968	C-AL:470nF,20%,50V,GP,TP,5x11mm,5		PR17L	2001-000008	R-CARBON:15Kohm,5%,1/8W,AA,TP,1.8x3.2mm	
TC25	2401-001968	C-AL:470nF,20%,50V,GP,TP,5x11mm,5		PR17R	2001-000008	R-CARBON:15Kohm,5%,1/8W,AA,TP,1.8x3.2mm	
TC39	2401-001968	C-AL:470nF,20%,50V,GP,TP,5x11mm,5		PR31	2001-000008	R-CARBON:15Kohm,5%,1/8W,AA,TP,1.8x3.2mm	
USW1	3404-000165	SWITCH-TACT:12V,50mA,160gf+50gf,6x6mm,S		PR34	2001-000008	R-CARBON:15Kohm,5%,1/8W,AA,TP,1.8x3.2mm	
USW10	3404-000165	SWITCH-TACT:12V,50mA,160gf+50gf,6x6mm,S		PR20	2001-000009	R-CARBON:20Kohm,5%,1/8W,AA,TP,1.8x3.2mm	
USW11	3404-000165	SWITCH-TACT:12V,50mA,160gf+50gf,6x6mm,S		PR150	2001-000273	R-CARBON:100Kohm,5%,1/8W,AA,TP,1.8x3.2m	
USW12	3404-000165	SWITCH-TACT:12V,50mA,160gf+50gf,6x6mm,S		MR2L	2001-000273	R-CARBON:100Kohm,5%,1/8W,AA,TP,1.8x3.2m	
USW13	3404-000165	SWITCH-TACT:12V,50mA,160gf+50gf,6x6mm,S		MR2R	2001-000273	R-CARBON:100Kohm,5%,1/8W,AA,TP,1.8x3.2m	
USW14	3404-000165	SWITCH-TACT:12V,50mA,160gf+50gf,6x6mm,S		MR3L	2001-000273	R-CARBON:100Kohm,5%,1/8W,AA,TP,1.8x3.2m	
USW15	3404-000165	SWITCH-TACT:12V,50mA,160gf+50gf,6x6mm,S		MR7L	2001-000273	R-CARBON:100Kohm,5%,1/8W,AA,TP,1.8x3.2m	
USW16	3404-000165	SWITCH-TACT:12V,50mA,160gf+50gf,6x6mm,S		MR7R	2001-000273	R-CARBON:100Kohm,5%,1/8W,AA,TP,1.8x3.2m	
USW17	3404-000165	SWITCH-TACT:12V,50mA,160gf+50gf,6x6mm,S		PR104	2001-000273	R-CARBON:100Kohm,5%,1/8W,AA,TP,1.8x3.2m	
USW18	3404-000165	SWITCH-TACT:12V,50mA,160gf+50gf,6x6mm,S		PR10L	2001-000273	R-CARBON:100Kohm,5%,1/8W,AA,TP,1.8x3.2m	
USW19	3404-000165	SWITCH-TACT:12V,50mA,160gf+50gf,6x6mm,S		PR10R	2001-000273	R-CARBON:100Kohm,5%,1/8W,AA,TP,1.8x3.2m	
USW2	3404-000165	SWITCH-TACT:12V,50mA,160gf+50gf,6x6mm,S		PR11R	2001-000273	R-CARBON:100Kohm,5%,1/8W,AA,TP,1.8x3.2m	
USW20	3404-000165	SWITCH-TACT:12V,50mA,160gf+50gf,6x6mm,S		PR40	2001-000273	R-CARBON:100Kohm,5%,1/8W,AA,TP,1.8x3.2m	
USW21	3404-000165	SWITCH-TACT:12V,50mA,160gf+50gf,6x6mm,S		PR24L	2001-000281	R-CARBON:100ohm,5%,1/8W,AA,TP,1.8x3.2mm	
USW22	3404-000165	SWITCH-TACT:12V,50mA,160gf+50gf,6x6mm,S		PR48	2001-000281	R-CARBON:100ohm,5%,1/8W,AA,TP,1.8x3.2mm	
USW23	3404-000165	SWITCH-TACT:12V,50mA,160gf+50gf,6x6mm,S		VR3	2001-000281	R-CARBON:100ohm,5%,1/8W,AA,TP,1.8x3.2mm	
USW24	3404-000165	SWITCH-TACT:12V,50mA,160gf+50gf,6x6mm,S		VR4	2001-000281	R-CARBON:100ohm,5%,1/8W,AA,TP,1.8x3.2mm	
USW25	3404-000165	SWITCH-TACT:12V,50mA,160gf+50gf,6x6mm,S		PR19	2001-000290	R-CARBON:10Kohm,5%,1/8W,AA,TP,1.8x3.2mm	
USW26	3404-000165	SWITCH-TACT:12V,50mA,160gf+50gf,6x6mm,S		PR19L	2001-000290	R-CARBON:10Kohm,5%,1/8W,AA,TP,1.8x3.2mm	
USW27	3404-000165	SWITCH-TACT:12V,50mA,160gf+50gf,6x6mm,S		PR21	2001-000290	R-CARBON:10Kohm,5%,1/8W,AA,TP,1.8x3.2mm	
USW28	3404-000165	SWITCH-TACT:12V,50mA,160gf+50gf,6x6mm,S		PR22	2001-000290	R-CARBON:10Kohm,5%,1/8W,AA,TP,1.8x3.2mm	
USW4	3404-000165	SWITCH-TACT:12V,50mA,160gf+50gf,6x6mm,S					
USW5	3404-000165	SWITCH-TACT:12V,50mA,160gf+50gf,6x6mm,S					
USW6	3404-000165	SWITCH-TACT:12V,50mA,160gf+50gf,6x6mm,S					
USW7	3404-000165	SWITCH-TACT:12V,50mA,160gf+50gf,6x6mm,S					
USW8	3404-000165	SWITCH-TACT:12V,50mA,160gf+50gf,6x6mm,S					
USW9	3404-000165	SWITCH-TACT:12V,50mA,160gf+50gf,6x6mm,S					

Location no.	Code no.	Description & Specification	Remarks	Location no.	Code no.	Description & Specification	Remarks
PR23	2001-000290	R-CARBON:10Kohm,5%,1/8W,AA,TP,1.8x3.2mm		PR33	2001-000947	R-CARBON:7.5KOHM,5%,1/8W,AA,TP,1.8X3.2M	
PR52	2001-000850	R-CARBON:560Kohm,5%,1/8W,AA,TP,1.8x3.2mm		PR36	2001-000947	R-CARBON:7.5KOHM,5%,1/8W,AA,TP,1.8X3.2M	
PR11	2001-000331	R-CARBON:12Kohm,5%,1/8W,AA,TP,1.8x3.2mm		VR7	2001-000969	R-CARBON:75ohm,5%,1/8W,AA,TP,1.8x3.2mm	
PR46	2001-000331	R-CARBON:12Kohm,5%,1/8W,AA,TP,1.8x3.2mm		VR8	2001-000969	R-CARBON:75ohm,5%,1/8W,AA,TP,1.8x3.2mm	
MR5L	2001-000397	R-CARBON:180Kohm,5%,1/8W,AA,TP,1.8x3.2m		VR9	2001-000969	R-CARBON:75ohm,5%,1/8W,AA,TP,1.8x3.2mm	
MR5R	2001-000397	R-CARBON:180Kohm,5%,1/8W,AA,TP,1.8x3.2m		PR18L	2001-000977	R-CARBON:8.2Kohm,5%,1/8W,AA,TP,1.8x3.2m	
MR6L	2001-000429	R-CARBON:1Kohm,5%,1/8W,AA,TP,1.8x3.2mm		PR18R	2001-000977	R-CARBON:8.2Kohm,5%,1/8W,AA,TP,1.8x3.2m	
MR6R	2001-000429	R-CARBON:1Kohm,5%,1/8W,AA,TP,1.8x3.2mm		PR113	2001-001000	R-CARBON:82Kohm,5%,1/8W,AA,TP,1.8x3.2mm	
PR25	2001-000429	R-CARBON:1Kohm,5%,1/8W,AA,TP,1.8x3.2mm		PR118	2001-001000	R-CARBON:82Kohm,5%,1/8W,AA,TP,1.8x3.2mm	
VR2	2001-000429	R-CARBON:1Kohm,5%,1/8W,AA,TP,1.8x3.2mm		PR116	2001-001000	R-CARBON:82Kohm,5%,1/8W,AA,TP,1.8x3.2mm	
VR5	2001-000429	R-CARBON:1Kohm,5%,1/8W,AA,TP,1.8x3.2mm		PR26L	2001-001000	R-CARBON:82Kohm,5%,1/8W,AA,TP,1.8x3.2mm	
PR117	2001-000435	R-CARBON:1Mohm,5%,1/8W,AA,TP,1.8x3.2mm		PR26R	2001-001000	R-CARBON:82Kohm,5%,1/8W,AA,TP,1.8x3.2mm	
PR24	2001-000435	R-CARBON:1Mohm,5%,1/8W,AA,TP,1.8x3.2mm		PR50	2001-001077	R-CARBON(S):150ohm,5%,1/2W,AA,TP,2.4x6.4	
PR105	2001-000449	R-CARBON:2.2Kohm,5%,1/8W,AA,TP,1.8x3.2m		PR42	2001-001077	R-CARBON(S):150ohm,5%,1/2W,AA,TP,2.4x6.4	
PR119	2001-000449	R-CARBON:2.2Kohm,5%,1/8W,AA,TP,1.8x3.2m		MC4L	2201-000144	C-CERAMIC,DISC:100pF,5%,50V,CH,TP,6X3.5	
PR49	2001-000449	R-CARBON:2.2Kohm,5%,1/8W,AA,TP,1.8x3.2m		MC4R	2201-000144	C-CERAMIC,DISC:100pF,5%,50V,CH,TP,6X3.5	
PR51	2001-000449	R-CARBON:2.2Kohm,5%,1/8W,AA,TP,1.8x3.2m		PC104	2201-000231	C-CERAMIC,DISC:150pF,10%,50V,SL,TP,6X3.5	
PR39	2001-000454	R-CARBON:2.2Mohm,5%,1/8W,AA,TP,1.8x3.2m		PC105	2201-000231	C-CERAMIC,DISC:150pF,10%,50V,SL,TP,6X3.5	
PR41	2001-000356	R-CARBON:150Kohm,5%,1/8W,AA,TP,1.8x3.2m		MC3L	2201-000368	C-CERAMIC,DISC:220pF,10%,50V,SL,TP,6X3.5	
MR1L	2001-000515	R-CARBON:220ohm,5%,1/8W,AA,TP,1.8x3.2mm		MC3R	2201-000368	C-CERAMIC,DISC:220pF,10%,50V,SL,TP,6X3.5	
MR1R	2001-000515	R-CARBON:220ohm,5%,1/8W,AA,TP,1.8x3.2mm		PC114	2201-000368	C-CERAMIC,DISC:220pF,10%,50V,SL,TP,6X3.5	
PR1	2001-000515	R-CARBON:220ohm,5%,1/8W,AA,TP,1.8x3.2mm		PC115	2201-000368	C-CERAMIC,DISC:220pF,10%,50V,SL,TP,6X3.5	
PR103	2001-000515	R-CARBON:220ohm,5%,1/8W,AA,TP,1.8x3.2mm		PC58	2201-000423	C-CERAMIC,DISC:27pF,5%,50V,NPO,TP,5X3.2	
PR1L	2001-000515	R-CARBON:220ohm,5%,1/8W,AA,TP,1.8x3.2mm		PC59	2201-000423	C-CERAMIC,DISC:27pF,5%,50V,NPO,TP,5X3.2	
PR1R	2001-000515	R-CARBON:220ohm,5%,1/8W,AA,TP,1.8x3.2mm		MC5L	2201-000470	C-CERAMIC,DISC:330pF,10%,50V,SL,TP,6X3.5	
PR2	2001-000515	R-CARBON:220ohm,5%,1/8W,AA,TP,1.8x3.2mm		MC5R	2201-000470	C-CERAMIC,DISC:330pF,10%,50V,SL,TP,6X3.5	
PR2L	2001-000515	R-CARBON:220ohm,5%,1/8W,AA,TP,1.8x3.2mm		PC14L	2201-000557	C-CERAMIC,DISC:470pF,10%,50V,SL,TP,6X3.5	
PR2R	2001-000515	R-CARBON:220ohm,5%,1/8W,AA,TP,1.8x3.2mm		PC14R	2201-000557	C-CERAMIC,DISC:470pF,10%,50V,SL,TP,6X3.5	
PR3L	2001-000515	R-CARBON:220ohm,5%,1/8W,AA,TP,1.8x3.2mm		PC13L	2201-000557	C-CERAMIC,DISC:470pF,10%,50V,SL,TP,6X3.5	
PR3R	2001-000515	R-CARBON:220ohm,5%,1/8W,AA,TP,1.8x3.2mm		PC13R	2201-000557	C-CERAMIC,DISC:470pF,10%,50V,SL,TP,6X3.5	
PR4L	2001-000515	R-CARBON:220ohm,5%,1/8W,AA,TP,1.8x3.2mm		PC44	2201-000557	C-CERAMIC,DISC:470pF,10%,50V,SL,TP,6X3.5	
PR4R	2001-000515	R-CARBON:220ohm,5%,1/8W,AA,TP,1.8x3.2mm		PC4L	2201-000557	C-CERAMIC,DISC:470pF,10%,50V,SL,TP,6X3.5	
PR5L	2001-000515	R-CARBON:220ohm,5%,1/8W,AA,TP,1.8x3.2mm		PC4R	2201-000557	C-CERAMIC,DISC:470pF,10%,50V,SL,TP,6X3.5	
PR5R	2001-000515	R-CARBON:220ohm,5%,1/8W,AA,TP,1.8x3.2mm		PC111	2201-000655	C-CERAMIC,DISC:47nF,20%,50V,Y5V,12.5X4.0	
PR6L	2001-000515	R-CARBON:220ohm,5%,1/8W,AA,TP,1.8x3.2mm		PC11L	2201-000601	C-CERAMIC,DISC:560pF,10%,50V,Y5P,TP,5X3	
PR6R	2001-000515	R-CARBON:220ohm,5%,1/8W,AA,TP,1.8x3.2mm		PC27	2201-000601	C-CERAMIC,DISC:560pF,10%,50V,Y5P,TP,5X3	
PR7L	2001-000515	R-CARBON:220ohm,5%,1/8W,AA,TP,1.8x3.2mm		PC11R	2201-000601	C-CERAMIC,DISC:560pF,10%,50V,Y5P,TP,5X3	
PR7R	2001-000515	R-CARBON:220ohm,5%,1/8W,AA,TP,1.8x3.2mm		PC10L	2201-000653	C-CERAMIC,DISC:68pF,5%,50V,SL,5.0*3.0	
PR110	2001-000522	R-CARBON:22Kohm,5%,1/8W,AA,TP,1.8x3.2mm		PC10R	2201-000653	C-CERAMIC,DISC:68pF,5%,50V,SL,5.0*3.0	
PR111	2001-000522	R-CARBON:22Kohm,5%,1/8W,AA,TP,1.8x3.2mm		PC100	2201-000653	C-CERAMIC,DISC:68pF,5%,50V,SL,5.0*3.0	
PR112	2001-000522	R-CARBON:22Kohm,5%,1/8W,AA,TP,1.8x3.2mm		PC45	2201-000642	C-CERAMIC,DISC:680pF,10%,50V,Y5P,TP,5X3	
PR3	2001-000522	R-CARBON:22Kohm,5%,1/8W,AA,TP,1.8x3.2mm		PC49	2201-000642	C-CERAMIC,DISC:680pF,10%,50V,Y5P,TP,5X3	
PR4	2001-000522	R-CARBON:22Kohm,5%,1/8W,AA,TP,1.8x3.2mm		PC101	2201-000783	C-CERAMIC,DISC:100nF,+80%,-20%,50V,Y5V,-	
PR5	2001-000522	R-CARBON:22Kohm,5%,1/8W,AA,TP,1.8x3.2mm		PC102	2201-000783	C-CERAMIC,DISC:100nF,+80%,-20%,50V,Y5V,-	
PR6	2001-000522	R-CARBON:22Kohm,5%,1/8W,AA,TP,1.8x3.2mm		PC116	2201-000783	C-CERAMIC,DISC:100nF,+80%,-20%,50V,Y5V,-	
PR7	2001-000522	R-CARBON:22Kohm,5%,1/8W,AA,TP,1.8x3.2mm		PC112	2201-000783	C-CERAMIC,DISC:100nF,+80%,-20%,50V,Y5V,-	
PR8	2001-000522	R-CARBON:22Kohm,5%,1/8W,AA,TP,1.8x3.2mm		VC8	2201-000783	C-CERAMIC,DISC:100nF,+80%,-20%,50V,Y5V,-	
PR9	2001-000522	R-CARBON:22Kohm,5%,1/8W,AA,TP,1.8x3.2mm		PC67	2201-000783	C-CERAMIC,DISC:100nF,+80%,-20%,50V,Y5V,-	
PR23L	2001-000522	R-CARBON:22Kohm,5%,1/8W,AA,TP,1.8x3.2mm		PC30	2301-000302	C-FILM,PEF,680nF,10%,100V,-,-	
PR23R	2001-000522	R-CARBON:22Kohm,5%,1/8W,AA,TP,1.8x3.2mm		PC17	2301-000370	C-FILM,PEF,1.8NF,10%,50V,TP,5.5X7X2.8M,5	
PR28	2001-000539	R-CARBON:24Kohm,5%,1/8W,AA,TP,1.8x3.2mm		PC23	2301-000370	C-FILM,PEF,1.8NF,10%,50V,TP,5.5X7X2.8M,5	
PR29	2001-000539	R-CARBON:24Kohm,5%,1/8W,AA,TP,1.8x3.2mm		PC12	2301-000375	C-FILM,PEF,100nF,5%,50V,TP,11X12.5X6.5,7	
PR27L	2001-000587	R-CARBON:3.3Kohm,5%,1/2W,AA,TP,3.3x9mm		PC19	2301-000375	C-FILM,PEF,100nF,5%,50V,TP,11X12.5X6.5,7	
PR27R	2001-000587	R-CARBON:3.3Kohm,5%,1/2W,AA,TP,3.3x9mm		PC20	2301-000375	C-FILM,PEF,100nF,5%,50V,TP,11X12.5X6.5,7	
PR37	2001-000613	R-CARBON:3.9Kohm,5%,1/8W,AA,TP,1.8x3.2m		PC24	2301-000375	C-FILM,PEF,100nF,5%,50V,TP,11X12.5X6.5,7	
PR38	2001-000613	R-CARBON:3.9Kohm,5%,1/8W,AA,TP,1.8x3.2m		PC25	2301-000375	C-FILM,PEF,100nF,5%,50V,TP,11X12.5X6.5,7	
PR30	2001-000645	R-CARBON:390Kohm,5%,1/8W,AA,TP,1.8x3.2m		PC26	2301-000375	C-FILM,PEF,100nF,5%,50V,TP,11X12.5X6.5,7	
PR107	2001-000734	R-CARBON:4.7Kohm,5%,1/8W,AA,TP,1.8x3.2m		PC37	2301-000375	C-FILM,PEF,100nF,5%,50V,TP,11X12.5X6.5,7	
PR109	2001-000734	R-CARBON:4.7Kohm,5%,1/8W,AA,TP,1.8x3.2m		PC40	2301-000375	C-FILM,PEF,100nF,5%,50V,TP,11X12.5X6.5,7	
PR114	2001-000734	R-CARBON:4.7Kohm,5%,1/8W,AA,TP,1.8x3.2m		PC41	2301-000375	C-FILM,PEF,100nF,5%,50V,TP,11X12.5X6.5,7	
PR115	2001-000734	R-CARBON:4.7Kohm,5%,1/8W,AA,TP,1.8x3.2m		PC46	2301-000375	C-FILM,PEF,100nF,5%,50V,TP,11X12.5X6.5,7	
PR101	2001-000780	R-CARBON:470ohm,5%,1/8W,AA,TP,1.8x3.2mm		PC47	2301-000375	C-FILM,PEF,100nF,5%,50V,TP,11X12.5X6.5,7	
PR102	2001-000780	R-CARBON:470ohm,5%,1/8W,AA,TP,1.8x3.2mm		PC48	2301-000375	C-FILM,PEF,100nF,5%,50V,TP,11X12.5X6.5,7	
PR47	2001-000780	R-CARBON:470ohm,5%,1/8W,AA,TP,1.8x3.2mm		PC50	2301-000375	C-FILM,PEF,100nF,5%,50V,TP,11X12.5X6.5,7	
PR8L	2001-000780	R-CARBON:470ohm,5%,1/8W,AA,TP,1.8x3.2mm		PC51	2301-000375	C-FILM,PEF,100nF,5%,50V,TP,11X12.5X6.5,7	
PR8R	2001-000780	R-CARBON:470ohm,5%,1/8W,AA,TP,1.8x3.2mm		PC16	2301-000379	C-FILM,PEF,10NF,10%,50V,TP,6X7X3.2MM,5MM	
PR9L	2001-000780	R-CARBON:470ohm,5%,1/8W,AA,TP,1.8x3.2mm		PC22	2301-000379	C-FILM,PEF,10NF,10%,50V,TP,6X7X3.2MM,5MM	
PR9R	2001-000780	R-CARBON:470ohm,5%,1/8W,AA,TP,1.8x3.2mm		PC6L	2301-000390	C-FILM,PEF,15NF,10%,50V,TP,6.5X9X3.5MM,5	
PR12L	2001-000786	R-CARBON:47Kohm,5%,1/8W,AA,TP,1.8x3.2mm		PC6R	2301-000390	C-FILM,PEF,15NF,10%,50V,TP,6.5X9X3.5MM,5	
PR12R	2001-000786	R-CARBON:47Kohm,5%,1/8W,AA,TP,1.8x3.2mm		MC6L	2301-000393	C-FILM,PEF,18NF,10%,50V,TP,6.5X12.5X3.5M	
PR13L	2001-000786	R-CARBON:47Kohm,5%,1/8W,AA,TP,1.8x3.2mm		MC6R	2301-000393	C-FILM,PEF,18NF,10%,50V,TP,6.5X12.5X3.5M	
PR13R	2001-000786	R-CARBON:47Kohm,5%,1/8W,AA,TP,1.8x3.2mm		PC106	2301-000393	C-FILM,PEF,18NF,10%,50V,TP,6.5X12.5X3.5M	
PR14L	2001-000786	R-CARBON:47Kohm,5%,1/8W,AA,TP,1.8x3.2mm		MC9L	2301-000400	C-FILM,PEF,1NF,10%,50V,TP,5.5X7X2.8MM,5MM	
PR14R	2001-000786	R-CARBON:47Kohm,5%,1/8W,AA,TP,1.8x3.2mm		MC9R	2301-000400	C-FILM,PEF,1NF,10%,50V,TP,5.5X7X2.8MM,5MM	
PR32	2001-000786	R-CARBON:47Kohm,5%,1/8W,AA,TP,1.8x3.2mm		PC108	2301-000404	C-FILM,PEF,2.2NF,10%,50V,TP,5.5X7X3.2MM,	
PR35	2001-000786	R-CARBON:47Kohm,5%,1/8W,AA,TP,1.8x3.2mm		PC109	2301-000404	C-FILM,PEF,2.2NF,10%,50V,TP,5.5X7X3.2MM,	
PR44	2001-000786	R-CARBON:47Kohm,5%,1/8W,AA,TP,1.8x3.2mm		PC31	2301-000411	C-FILM,PEF,220NF,5%,50V,BK,-,-	
PR106	2001-000802	R-CARBON:5.6KOHM,5%,1/8W,AA,TP,1.8X3.2M		PC32	2301-000411	C-FILM,PEF,220NF,5%,50V,BK,-,-	
PR108	2001-000802	R-CARBON:5.6KOHM,5%,1/8W,AA,TP,1.8X3.2M		PC35	2301-000411	C-FILM,PEF,220NF,5%,50V,BK,-,-	
PR26	2001-000837	R-CARBON:5.1Kohm,5%,1/8W,AA,TP,1.8x3.2mm		PC36	2301-000411	C-FILM,PEF,220NF,5%,50V,BK,-,-	
PR27	2001-000837	R-CARBON:5.1Kohm,5%,1/8W,AA,TP,1.8x3.2mm		PC42	2301-000412	C-FILM,PEF,22NF,10%,50V,TP,6.5X10.5X4MM,	
MR4L	2001-000855	R-CARBON:560ohm,5%,1/4W,AA,TP,2.4x6.4mm		PC43	2301-000412	C-FILM,PEF,22NF,10%,50V,TP,6.5X10.5X4MM,	
MR4R	2001-000855	R-CARBON:560ohm,5%,1/4W,AA,TP,2.4x6.4mm		MC7L	2301-000442	C-FILM,PEF,4.7nF,10%,50V,TP,5.5x7x3mm,5m	
PR10	2001-000890	R-CARBON:6.8Kohm,5%,1/8W,AA,TP,1.8x3.2m		MC7R	2301-000442	C-FILM,PEF,4.7nF,10%,50V,TP,5.5x7x3mm,5m	
PR15L	2001-000890	R-CARBON:6.8Kohm,5%,1/8W,AA,TP,1.8x3.2m		PC7L	2301-000442	C-FILM,PEF,4.7nF,10%,50V,TP,5.5x7x3mm,5m	
PR15R	2001-000890	R-CARBON:6.8Kohm,5%,1/8W,AA,TP,1.8x3.2m		PC7R	2301-000442	C-FILM,PEF,4.7nF,10%,50V,TP,5.5x7x3mm,5m	
PR22L	2001-000890	R-CARBON:6.8Kohm,5%,1/8W,AA,TP,1.8x3.2m		PC29	2301-000449	C-FILM,PEF,47NF,10%,50V,TP,8X11X4.5MM,5M	
PR22R	2001						

Location no.	Code no.	Description & Specification	Remarks	Location no.	Code no.	Description & Specification	Remarks
PC107	2301-000476	C-FILM,PEF,82NF,10%,50V,TP,10.5X12.5X6,7		AR29R	2009-001081	R-METAL PLATE:0.22ohm,5%,7W,CL,BK,26x5x2	
PC15	2305-000224	C-FILM,MPEF,1uF,10%,63V,TP,7.2x6x11,5		AR44L	2009-001080	R-METAL PLATE:0.22ohm,5%,5W,CL,BK,26x5x2	
PC103	2401-000303	C-AL,100UF,20%,25V,GP,TP,6.3x11,2,5		AR44R	2009-001080	R-METAL PLATE:0.22ohm,5%,5W,CL,BK,26x5x2	
PC10	2401-000419	C-AL,100UF,20%,16V,GP, 4X7,5		AC40	2401-000230	C-AL,100UF,20%,100V,GP,TP,10x20mm,5	
PC11	2401-000419	C-AL,100UF,20%,16V,GP, 4X7,5		AC46	2401-000230	C-AL,100UF,20%,100V,GP,TP,10x20mm,5	
PC54	2401-000419	C-AL,100UF,20%,16V,GP, 4X7,5		AC6	2401-000230	C-AL,100UF,20%,100V,GP,TP,10x20mm,5	
PC8L	2401-000419	C-AL,100UF,20%,16V,GP, 4X7,5		AC7L	2401-000230	C-AL,100UF,20%,100V,GP,TP,10x20mm,5	
PC8R	2401-000419	C-AL,100UF,20%,16V,GP, 4X7,5		AC7R	2401-000230	C-AL,100UF,20%,100V,GP,TP,10x20mm,5	
PC9L	2401-000419	C-AL,100UF,20%,16V,GP, 4X7,5		AC11	2401-000230	C-AL,100UF,20%,100V,GP,TP,10x20mm,5	
PC9R	2401-000419	C-AL,100UF,20%,16V,GP, 4X7,5		AC13L	2401-000230	C-AL,100UF,20%,100V,GP,TP,10x20mm,5	
VC4	2401-000419	C-AL,100UF,20%,16V,GP, 4X7,5		AC13R	2401-000230	C-AL,100UF,20%,100V,GP,TP,10x20mm,5	
VC5	2401-000419	C-AL,100UF,20%,16V,GP, 4X7,5		AC314	2401-001886	C-AL,100UF,20%,35V,GP,BK,16X25MM,5	
VC6	2401-000419	C-AL,100UF,20%,16V,GP, 4X7,5		AC315	2401-001886	C-AL,100UF,20%,35V,GP,BK,16X25MM,5	
VC7	2401-000419	C-AL,100UF,20%,16V,GP, 4X7,5		AC36	2401-001928	C-AL,2200UF,20%,35V,GP,BK,16X31MM,7	
PC110	2401-000438	C-AL,100UF,20%,25V,GP, 5X11,2MM		AC230	2401-000369	C-AL,1000UF,20%,80V,GP,BK,35x50,10	
MC8L	2401-000650	C-AL,2.2uF,20%,50V,GP,BK,3x5,1mm		AC29	2401-000369	C-AL,1000UF,20%,80V,GP,BK,35x50,10	
MC8R	2401-000650	C-AL,2.2uF,20%,50V,GP,BK,3x5,1mm		RELAY3	3501-001131	RELAY-POWER;12Vdc,-5A,-15mS,5mS	△
PC5L	2401-000649	C-AL,2.2uF,20%,50V,NP,BK,3x5,1mm		RELAY4	3501-001131	RELAY-POWER;12Vdc,-5A,-15mS,5mS	△
PC5R	2401-000649	C-AL,2.2uF,20%,50V,NP,BK,3x5,1mm		RELAY5	3501-001131	RELAY-POWER;12Vdc,-5A,-15mS,5mS	△
MC2L	2401-000778	C-AL,220UF,20%,10V,GP, 6.3x11,2.5mm		RELAY6	3501-001131	RELAY-POWER;12Vdc,-5A,-15mS,5mS	△
MC2R	2401-000778	C-AL,220UF,20%,10V,GP, 6.3x11,2.5mm		ACW7	3711-000666	CONNECTOR-HEADER:BOX,12P,1R,2mm,STRAIGHT	
VC1	2401-001355	C-AL,470uF,20%,10V,GP, 6x11,5,5mm		ACW4	3711-000724	CONNECTOR-HEADER:BOX,15P,1R,2mm,STRAIGHT	
VC2	2401-001355	C-AL,470uF,20%,10V,GP, 6x11,5,5mm		ACW8	3711-000724	CONNECTOR-HEADER:BOX,15P,1R,2mm,STRAIGHT	
PC1	2401-001538	C-AL,47UF,20%,25V,GP, 6X11,2.5MM		ACW6	3711-000820	CONNECTOR-HEADER:BOX,2P,1R,2.5mm,STRAIGH	
VC3	2401-001511	C-AL,47uF,20%,16V,GP, 6X7,5		ACW13	3711-000820	CONNECTOR-HEADER:BOX,2P,1R,2.5mm,STRAIGH	
MC10L	2401-001538	C-AL,47UF,20%,25V,GP, 6X11,2.5MM		ACW3	3711-001062	CONNECTOR-HEADER:BOX,6P,1R,2mm,STRAIGHT,	
MC10R	2401-001538	C-AL,47UF,20%,25V,GP, 6X11,2.5MM		ACW19	3711-001055	CONNECTOR-HEADER:BOX,6P,1R,2.5mm,STRAIGH	
PC66	2401-001538	C-AL,47UF,20%,25V,GP, 6X11,2.5MM		ACW20	3711-001098	CONNECTOR-HEADER:BOX,7P,1R,2.5mm,STRAIGH	
PC101	2401-001538	C-AL,47UF,20%,25V,GP, 6X11,2.5MM		AJ1C	3716-001134	TERMINAL-BLOCK:SOLDER,4P,19mm,-,-	
PC113	2401-001538	C-AL,47UF,20%,25V,GP, 6X11,2.5MM		AJ1F	3716-001134	TERMINAL-BLOCK:SOLDER,4P,19mm,-,-	
PC2	2401-001538	C-AL,47UF,20%,25V,GP, 6X11,2.5MM		AJ1S	3716-001134	TERMINAL-BLOCK:SOLDER,4P,19mm,-,-	
PC52	2401-001538	C-AL,47UF,20%,25V,GP, 6X11,2.5MM		AJ2F	3716-001134	TERMINAL-BLOCK:SOLDER,4P,19mm,-,-	
PC57	2401-001538	C-AL,47UF,20%,25V,GP, 6X11,2.5MM		HJCK1	3722-000363	JACK-PHONE;9P6.4MM,AU,BLK,-	
PC9	2401-001538	C-AL,47UF,20%,25V,GP, 6X11,2.5MM		AIC4	AH14-100036	IC:K1A7812PI,-,TO-220	△
PC68	2401-001538	C-AL,47UF,20%,25V,GP, 6X11,2.5MM		PIT	AH26-00049A	TRANS-POWER:E111*64,230V,50Hz,SA870P	△
PC65	2401-001895	C-AL,100UF,20%,16V,GP,BK,6.3x11mm,2		AL1	AH27-92001E	COIL-SPRING;SSKS-17,1.7uH,10X5,7X4,-,-	
PC102	2401-001895	C-AL,100UF,20%,16V,GP,BK,6.3x11mm,2		AL1L	AH27-92001E	COIL-SPRING;SSKS-17,1.7uH,10X5,7X4,-,-	
PC13	2401-001895	C-AL,100UF,20%,16V,GP,BK,6.3x11mm,2		AL1R	AH27-92001E	COIL-SPRING;SSKS-17,1.7uH,10X5,7X4,-,-	
PC56	2401-001895	C-AL,100UF,20%,16V,GP,BK,6.3x11mm,2		AL2L	AH27-92001E	COIL-SPRING;SSKS-17,1.7uH,10X5,7X4,-,-	
PC63	2401-001895	C-AL,100UF,20%,16V,GP,BK,6.3x11mm,2		AL2R	AH27-92001E	COIL-SPRING;SSKS-17,1.7uH,10X5,7X4,-,-	
PC14	2401-001938	C-AL,22UF,20%,25V,GP,BK,5X11MM,2MM		FAN	AH31-12006A	MOTOR-DC-FAN:D0825A-12M,12V,DC,0.17A,-	
MC1L	2401-001954	C-AL,4.7uF,20%,50V,GP,BK,5x11mm,5		CJ1	AH37-22001G	JACK-PIN;3,7MM,S-436P-01,3P,BULK,-	
MC1R	2401-001954	C-AL,4.7uF,20%,50V,GP,BK,5x11mm,5		ACW16	AH39-20561D	LEAD CONNECTOR-ASSY,-,5264,51088,2P,150M	
PC12L	2401-001954	C-AL,4.7uF,20%,50V,GP,BK,5x11mm,5		ACW17	AH39-00132A	LEAD CONNECTOR-ASSY,-,51004,35023,6P,150	
PC12R	2401-001954	C-AL,4.7uF,20%,50V,GP,BK,5x11mm,5		ACW12	AH39-20561F	LEAD CONNECTOR-ASSY,-,51004,35023,8P,180	
PC1L	2401-001954	C-AL,4.7uF,20%,50V,GP,BK,5x11mm,5		ACW14	AH39-20561H	LEAD CONNECTOR-ASSY,-,51004,35023,15P,15	
PC1R	2401-001954	C-AL,4.7uF,20%,50V,GP,BK,5x11mm,5		ACW15	AH39-20561H	LEAD CONNECTOR-ASSY,-,51004,35023,15P,15	
PC2L	2401-001954	C-AL,4.7uF,20%,50V,GP,BK,5x11mm,5		INRUB	AH62-10024A	INSULATION;-,INSULATING,-,TO,3,-,SA-880A	
PC2R	2401-001954	C-AL,4.7uF,20%,50V,GP,BK,5x11mm,5		AD1	0401-000101	DIODE-SWITCHING;1N4148,100V,200mA,500mW,	
PC33	2401-001954	C-AL,4.7uF,20%,50V,GP,BK,5x11mm,5		AD16	0401-000101	DIODE-SWITCHING;1N4148,100V,200mA,500mW,	
PC34	2401-001954	C-AL,4.7uF,20%,50V,GP,BK,5x11mm,5		AD17	0401-000101	DIODE-SWITCHING;1N4148,100V,200mA,500mW,	
PC3L	2401-001954	C-AL,4.7uF,20%,50V,GP,BK,5x11mm,5		AD1L	0401-000101	DIODE-SWITCHING;1N4148,100V,200mA,500mW,	
PC3R	2401-001954	C-AL,4.7uF,20%,50V,GP,BK,5x11mm,5		AD1R	0401-000101	DIODE-SWITCHING;1N4148,100V,200mA,500mW,	
PC5	2401-001954	C-AL,4.7uF,20%,50V,GP,BK,5x11mm,5		AD2	0401-000101	DIODE-SWITCHING;1N4148,100V,200mA,500mW,	
PC6	2401-001954	C-AL,4.7uF,20%,50V,GP,BK,5x11mm,5		AD2L	0401-000101	DIODE-SWITCHING;1N4148,100V,200mA,500mW,	
PC62	2401-001954	C-AL,4.7uF,20%,50V,GP,BK,5x11mm,5		AD2R	0401-000101	DIODE-SWITCHING;1N4148,100V,200mA,500mW,	
PC64	2401-001968	C-AL,470nF,20%,50V,GP,TP,5X11MM,5MM		AD3	0401-000101	DIODE-SWITCHING;1N4148,100V,200mA,500mW,	
PC7	2401-001994	C-AL,3.3UF,20%,50V,BP,TP,5X11MM,5MM		AD32	0401-000101	DIODE-SWITCHING;1N4148,100V,200mA,500mW,	
PC8	2401-001994	C-AL,3.3UF,20%,50V,BP,TP,5X11MM,5MM		AD4	0401-000101	DIODE-SWITCHING;1N4148,100V,200mA,500mW,	
				AD4L	0401-000101	DIODE-SWITCHING;1N4148,100V,200mA,500mW,	
				AD4R	0401-000101	DIODE-SWITCHING;1N4148,100V,200mA,500mW,	
				AD201	0401-000101	DIODE-SWITCHING;1N4148,100V,200mA,500mW,	
				AD202	0401-000101	DIODE-SWITCHING;1N4148,100V,200mA,500mW,	
				AD6	0401-000101	DIODE-SWITCHING;1N4148,100V,200mA,500mW,	
				AD203	0401-000101	DIODE-SWITCHING;1N4148,100V,200mA,500mW,	
				AD204	0401-000101	DIODE-SWITCHING;1N4148,100V,200mA,500mW,	
				AD7R	0401-000101	DIODE-SWITCHING;1N4148,100V,200mA,500mW,	
				AD8L	0401-000101	DIODE-SWITCHING;1N4148,100V,200mA,500mW,	
				AD8R	0401-000101	DIODE-SWITCHING;1N4148,100V,200mA,500mW,	
				AD205	0401-000101	DIODE-SWITCHING;1N4148,100V,200mA,500mW,	
				AD206	0401-000101	DIODE-SWITCHING;1N4148,100V,200mA,500mW,	
				AD105	0402-000127	DIODE-RECTIFIER;1N4002,100V,1A,DO-41	
				AD106	0402-000127	DIODE-RECTIFIER;1N4002,100V,1A,DO-41	
				AD28	0402-000127	DIODE-RECTIFIER;1N4002,100V,1A,DO-41	
				AD29	0402-000127	DIODE-RECTIFIER;1N4002,100V,1A,DO-41	
				AD30	0402-000127	DIODE-RECTIFIER;1N4002,100V,1A,DO-41	
				AD31	0402-000127	DIODE-RECTIFIER;1N4002,100V,1A,DO-41	
				AD6L	0402-000127	DIODE-RECTIFIER;1N4002,100V,1A,DO-41	
				AD6R	0402-000127	DIODE-RECTIFIER;1N4002,100V,1A,DO-41	
				AD9L	0402-000127	DIODE-RECTIFIER;1N4002,100V,1A,DO-41	
				AD9R	0402-000127	DIODE-RECTIFIER;1N4002,100V,1A,DO-41	
				AD51	0402-000127	DIODE-RECTIFIER;1N4002,100V,1A,DO-41	
				AD52	0402-000127	DIODE-RECTIFIER;1N4002,100V,1A,DO-41	
				AD53	0402-000127	DIODE-RECTIFIER;1N4002,100V,1A,DO-41	
				AD54	0402-000127	DIODE-RECTIFIER;1N4002,100V,1A,DO-41	
				AD55	0402-000127	DIODE-RECTIFIER;1N4002,100V,1A,DO-41	
				AZD4	0403-000379	DIODE-ZENER;UZP12B,12V,11.4-12.6V,1W,DO-	
				AZD5	0403-000379	DIODE-ZENER;UZP12B,12V,11.4-12.6V,1W,DO-	
				FQ1	0501-000010	TR-SMALL SIGNAL;KSC1008,NPN,800mW,TO-92,	
				FQ2	0501-000010	TR-SMALL SIGNAL;KSC1008,NPN,800mW,TO-92,	
				AQ12	0501-000303	TR-SMALL SIGNAL;KS733,PNP,250mW,TO-92,T	
				FQ3	0501-000303	TR-SMALL SIGNAL;KS733,PNP,250mW,TO-92,T	
				AQ10	0501-000331	TR-SMALL SIGNAL;KSC1009,NPN,800mW,TO-9	

RZ-5700AV Parts list

AH59-10138C REMOCOON-ASSY,-,BU2478-ZZ,32,SA-870P,SA

AH92-00316A ASSY-MAIN PCB;SA870P,SAI

AD102	0402-001077	DIODE-BRIDGE;KBP202G,200V,2A,SIP-4	△
AD103	0402-001077	DIODE-BRIDGE;KBP202G,200V,2A,SIP-4	△
AD104	0402-001077	DIODE-BRIDGE;KBP202G,200V,2A,SIP-4	△
AD101	0402-001220	DIODE-BRIDGE;KBP21506GW	△
AQ11L	0502-000170	TR-POWER;2SC3502-E,NPN,1.2W,TO-126,TP,1	
AQ11R	0502-000170	TR-POWER;2SC3502-E,NPN,1.2W,TO-126,TP,1	
AQ46	0502-000170	TR-POWER;2SC3502-E,NPN,1.2W,TO-126,TP,1	
AQ8L	0502-000208	TR-POWER;2SD1762,NPN,60V,50V,3A,2W,TO-2	
AQ8R	0502-000208	TR-POWER;2SD1762,NPN,60V,50V,3A,2W,TO-2	
AQ9	0502-000208	TR-POWER;2SD1762,NPN,60V,50V,3A,2W,TO-2	
FQ4	0502-000303	TR-POWER;KSD882,NPN,1W,TO-126,TP,160-32	
AQ11	0502-000303	TR-POWER;KSD882,NPN,1W,TO-126,TP,160-32	
AQ6R	0502-001126	TR-POWER;2SD2390,NPN,100W,SC-62,BK,6500	
AQ6L	0502-001126	TR-POWER;2SD2390,NPN,100W,SC-62,BK,6500	
AQ7	0502-001126	TR-POWER;2SD2390,NPN,100W,SC-62,BK,6500	
AQ7L	0502-001127	TR-POWER;2SB1560,PNP,100W,SC-62,BK,1500	
AQ7R	0502-001127	TR-POWER;2SB1560,PNP,100W,SC-62,BK,1500	
AQ8	0502-001127	TR-POWER;2SB1560,PNP,100W,SC-62,BK,1500	
AQ45	0502-001128	TR-POWER;2SA1380,PNP,5W,TO-126,TR,100-2	
AQ5L	0502-001128	TR-POWER;2SA1380,PNP,5W,TO-126,TR,100-2	
AQ5R	0502-001128	TR-POWER;2SA1380,PNP,5W,TO-126,TR,100-2	
AIC1	1201-001316	IC-POWER AMP;4231,SIP,22P,-,SINGLE,40dB	
AIC3	1203-000110	IC-NEGA.FIXED REG.;7912,TO-220,3P,-,PLAS	△
AIC2	1203-000242	IC-POSI.FIXED REG.;7812,TO-220,3P,-,PLAS	△
AIC5	1203-000276	IC-POSI.FIXED REG.;7805,TO-220,3P,-,PLAS	△
AR19	2009-001081	R-METAL PLATE:0.22ohm,5%,7W,CL,BK,26x5x2	
AR29L	2009-001081	R-METAL PLATE:0.22ohm,5%,7W,CL,BK,26x5x2	

Location no.	Code no.	Description & Specification	Remarks
AC14R	2201-000366	C-CERAMIC,DISC,220pF,10%,500V,Y5P,TP,6x4	
AC7	2201-000366	C-CERAMIC,DISC,220pF,10%,500V,Y5P,TP,6x4	
AC18L	2201-000470	C-CERAMIC,DISC,330pF,10%,50V,Y5P,TP,6x4	
AC18R	2201-000470	C-CERAMIC,DISC,330pF,10%,50V,Y5P,TP,6x4	
AC3L	2201-000470	C-CERAMIC,DISC,330pF,10%,50V,Y5P,TP,6x4	
AC3R	2201-000470	C-CERAMIC,DISC,330pF,10%,50V,Y5P,TP,6x4	
AC3	2201-000470	C-CERAMIC,DISC,330pF,10%,50V,Y5P,TP,6x4	
AC55	2201-000161	C-CERAMIC,DISC,10nF,+80-20%,500V,Y5V,TP	△
AC56	2201-000161	C-CERAMIC,DISC,10nF,+80-20%,500V,Y5V,TP	△
AC57	2201-000161	C-CERAMIC,DISC,10nF,+80-20%,500V,Y5V,TP	△
AC58	2201-000161	C-CERAMIC,DISC,10nF,+80-20%,500V,Y5V,TP	△
AC43	2201-000161	C-CERAMIC,DISC,10nF,+80-20%,500V,Y5V,TP	△
AC50	2201-000163	C-CERAMIC,DISC,10nF,79.8,50V,Y5V,TP,6.5x	△
AC51	2201-000163	C-CERAMIC,DISC,10nF,79.8,50V,Y5V,TP,6.5x	△
AC52	2201-000163	C-CERAMIC,DISC,10nF,79.8,50V,Y5V,TP,6.5x	△
AC53	2201-000163	C-CERAMIC,DISC,10nF,79.8,50V,Y5V,TP,6.5x	△
AC4R	2201-000368	C-CERAMIC,DISC,220pF,10%,50V,SL,TP,6.5x3	
AC4L	2201-000368	C-CERAMIC,DISC,220pF,10%,50V,SL,TP,6.5x3	
AC60	2201-000368	C-CERAMIC,DISC,220pF,10%,50V,SL,TP,6.5x3	
AC29	2201-000389	C-CERAMIC,DISC,220pF,5%,50V,CH,TP,5.0x3.0	
AC6L	2201-000391	C-CERAMIC,DISC,220pF,5%,50V,SL,TP,5.0x3.0	
AC6R	2201-000391	C-CERAMIC,DISC,220pF,5%,50V,SL,TP,5.0x3.0	
AC12L	2201-000476	C-CERAMIC,DISC,33pF,10%,500V,SL,TP,7x4.5	
AC12R	2201-000476	C-CERAMIC,DISC,33pF,10%,500V,SL,TP,7x4.5	
AC59	2201-000476	C-CERAMIC,DISC,33pF,10%,500V,SL,TP,7x4.5	
AC21L	2201-000693	C-CERAMIC,DISC,8pF,5%,50V,NPO,5x3.55,TP	
AC21R	2201-000693	C-CERAMIC,DISC,8pF,5%,50V,NPO,5x3.55,TP	
AC5	2301-000400	C-FILM,PEF,1nF,10%,50V,TP,5X7X2,8MM,5MM	
AC5L	2301-000400	C-FILM,PEF,1nF,10%,50V,TP,5X7X2,8MM,5MM	
AC5R	2301-000400	C-FILM,PEF,1nF,10%,50V,TP,5X7X2,8MM,5MM	
AC13	2303-000311	C-FILM,PPF,100nF,5%,100V,TP,10x13.5x4,5m	
AC15L	2303-000311	C-FILM,PPF,100nF,5%,100V,TP,10x13.5x4,5m	
AC15R	2303-000311	C-FILM,PPF,100nF,5%,100V,TP,10x13.5x4,5m	
AC24L	2303-000311	C-FILM,PPF,100nF,5%,100V,TP,10x13.5x4,5m	
AC24R	2303-000311	C-FILM,PPF,100nF,5%,100V,TP,10x13.5x4,5m	
AC301	2401-001953	C-AL,4.7uF,20%,50V,NP,-6.3x11,2.5m	
AC302	2401-001953	C-AL,4.7uF,20%,50V,NP,-6.3x11,2.5m	
AC101	2401-001953	C-AL,4.7uF,20%,50V,NP,-6.3x11,2.5m	
AC44	2401-000385	C-AL,10uF,20%,100V,GP,-6.3x11,2.5m	
AC45	2401-000385	C-AL,10uF,20%,100V,GP,-6.3x11,2.5m	
AC1	2401-000419	C-AL,10uF,20%,16V,GP,-4X7,5	
AC16L	2401-000419	C-AL,10uF,20%,16V,GP,-4X7,5	
AC16R	2401-000419	C-AL,10uF,20%,16V,GP,-4X7,5	
AC1L	2401-000419	C-AL,10uF,20%,16V,GP,-4X7,5	
AC1R	2401-000419	C-AL,10uF,20%,16V,GP,-4X7,5	
AC2	2401-000419	C-AL,10uF,20%,16V,GP,-4X7,5	
AC2L	2401-000419	C-AL,10uF,20%,16V,GP,-4X7,5	
AC2R	2401-000419	C-AL,10uF,20%,16V,GP,-4X7,5	
AC47	2401-000419	C-AL,10uF,20%,16V,GP,-4X7,5	
AC48	2401-000419	C-AL,10uF,20%,16V,GP,-4X7,5	
AC8	2401-000656	C-AL,2.2uF,20%,50V,GP,5x11,-	
AC10L	2201-000674	C-AL,820PF,20%,50V,GP,BK,3X5,1MM	
AC10R	2201-000674	C-AL,820PF,20%,50V,GP,BK,3X5,1MM	
AC14	2201-000674	C-AL,820PF,20%,50V,GP,BK,3X5,1MM	
AC23L	2401-001324	C-AL,470NF,20%,50V,GP,BK,3X5,1MM	
AC23R	2401-001324	C-AL,470NF,20%,50V,GP,BK,3X5,1MM	
AC61	2401-001361	C-AL,470uF,20%,16V,BP,TP,13x20mm,5m	
AC25L	2401-001572	C-AL,47uF,20%,50V,GP,-6.3x11,2.5mm	
AC25R	2401-001572	C-AL,47uF,20%,50V,GP,-6.3x11,2.5mm	
AC33	2401-001893	C-AL,100uF,20%,16V,GP,TP,6.3x7mm,5	△
AC10	2401-001893	C-AL,100uF,20%,16V,GP,TP,6.3x7mm,5	△
AC11L	2401-001893	C-AL,100uF,20%,16V,GP,TP,6.3x7mm,5	△
AC11R	2401-001893	C-AL,100uF,20%,16V,GP,TP,6.3x7mm,5	△
AC20L	2401-001893	C-AL,100uF,20%,16V,GP,TP,6.3x7mm,5	△
AC20R	2401-001893	C-AL,100uF,20%,16V,GP,TP,6.3x7mm,5	△
AC34	2401-001893	C-AL,100uF,20%,16V,GP,TP,6.3x7mm,5	△
AC35	2401-001893	C-AL,100uF,20%,16V,GP,TP,6.3x7mm,5	△
AC38	2401-001969	C-AL,470uF,20%,25V,GP,TP,10x12mm,5m	△
AC37	2401-001975	C-AL,47uF,20%,16V,GP,TP,5x11mm,5	△
FC1	2401-001975	C-AL,47uF,20%,16V,GP,TP,5x11mm,5	△
AC9L	2401-002180	C-AL,2.2uF,20%,50V,GP,TP,5x11,5mm	
AC9R	2401-002180	C-AL,2.2uF,20%,50V,GP,TP,5x11,5mm	
AH92-00317A ASSY-FRONT PCB;SA870P,SAI			
AD105	0402-001077	DIODE-BRIDGE;KBP202G,200V,2A,SIP-4	△
AQ39	0502-000208	TR-POWER;2SD1762,NPN,60V,50V,3A,2W,TO-2	△
AIC6	1203-000276	IC-POSIX.FIXED REG.;7805,TO-220,3P,-,PLAS	△
AC22	2401-001928	C-AL,2200UF,20%,35V,GP,BK,16X31MM,7	△
UC25	2409-000123	C-EDL;47000uF,4uA,5.5V,-,5mm,BK	
TX1	2801-000734	CRYSTAL-UNIT;7.2MHz,50ppm,28-AAM,12pF,30	
UX1	2802-000181	RESONATOR-CERAMIC;6MHz,0.5%,BK,10.0X5.0	
TCF1	2903-000105	FILTER-CERAMIC,BP,10.7MHz+25KHz,180KHz+	
TCF2	2903-000105	FILTER-CERAMIC,BP,10.7MHz+25KHz,180KHz+	
TCF3	2903-000105	FILTER-CERAMIC,BP,10.7MHz+25KHz,180KHz+	
TX3	2903-000147	FILTER-CERAMIC,BP,450KHz+0.8KHz,-,-,S	
TCF4	2903-000148	FILTER-CERAMIC,BP,450KHz+1KHz,-,6DB,-,B	
RELAY2	3501-001008	RELAY-POWER;12Vdc,530mW,10A,1FormC,15mS,	△
RELAY1	3501-001130	RELAY-POWER;12Vdc,530mW,10A,1FormA,15mS,	△
FR1	3601-000319	FUSE-FERRULE;250V,80mA,TIME LAG,GLASS,5x	△
FR1	3602-000147	FUSE-CLIP;250V,7.5A,30mohm	△
FR2	3601-001149	FUSE;250V,6.3A,5X20	△
FR2	3602-000147	FUSE-CLIP;250V,7.5A,30mohm	△
AC105	2201-000546	AC CAPACITOR 4.7NF,400V	△

Location no.	Code no.	Description & Specification	Remarks
AC107	2201-000546	AC CAPACITOR 4.7NF,400V	△
AC108	2201-000546	AC CAPACITOR 4.7NF,400V	△
AC109	2201-000546	AC CAPACITOR 4.7NF,400V	△
AIC7	1201-000191	KA4458,DIP,8P	
ACW1	3711-000724	CONNECTOR-HEADER;BOX,15P,1R,2mm,STRAIGHT	
ACW2	3711-000724	CONNECTOR-HEADER;BOX,15P,1R,2mm,STRAIGHT	
UCW8	3711-000820	CONNECTOR-HEADER;BOX,2P,1R,2.5mm,STRAIGH	
UCW9	3711-000820	CONNECTOR-HEADER;BOX,2P,1R,2.5mm,STRAIGH	
ACW4	3711-001487	CONNECTOR-HEADER;NOWALL,3P,1R,8mm,STRAIG	
ANT	3716-001093	TERMINAL-BLOCK;SOLDER,3P,11mm,-,-	
FLT	AH07-00015A	VF-DISPLAY;HNA-12SS06,16SEG,100X25,SA870	
UC1	0903-001015	LC8666548	
TIC2	AH14-10007G	IC,LC72131,DIP,STICK PLL	
TIC1	AH14-10008B	IC,LA1837,DIP,RF-MPX	
TL1L	AH26-10001A	TRANS-IF;FV-AD-BASE19K/38K,LOW PASS FILT	
TL1R	AH26-10001A	TRANS-IF;FV-AD-BASE19K/38K,LOW PASS FILT	
TL2	AH26-10001E	TRANS-IF;KSA40228-09,-,7.6X12.0,-,450K	
TL3	AH26-10020A	TRANS-DET,-,7KLL,DET,-,7.8MM,91PF,11.32M	
PT	AH26-80143U	TRANS-POWER;EI35"14,220V,50Hz,SA870P	
TL1	AH27-80060L	COIL-OISC;RBW07B,340uH,MW+RF	
AC/SOK	AH37-00009A	JACK-AC SOCKET;2P,A3040070P,2P,BULK,CP AC	
UCW3	AH37-22001N	JACK-CONNECTOR;10MM,YFW800-02,2P,BULK,-	
ACW4	AH39-20561D	LEAD CONNECTOR-ASSY,-,5264,51088,2P,150M	
UCW7	AH39-20561D	LEAD CONNECTOR-ASSY,-,5264,51088,2P,150M	
UCW3	AH39-20561G	LEAD CONNECTOR-ASSY,-,51004,35023,12P,15	
UCW6	AH39-20561H	LEAD CONNECTOR-ASSY,-,51004,35023,15P,15	
TCW1	AH39-20561J	LEAD CONNECTOR-ASSY,-,51004,35023,15P,10	
UCW1	AH39-20561K	LEAD CONNECTOR-ASSY,-,51004,35023,15P,20	
UCN1	AH39-00126A	LEAD CONNECTOR-ASSY,-,5395,5264,3P,20	
FCP	AH40-10025E	TUNER-FM;FTA4-460H,4G,75ohm	
REYE	AH59-60001J	MODULE-REMOCON;GP1U271R,38KHZ,-,MESH,-,	
	AH61-20524A	HOLDER-FLT,-,ABS,-,-,SA-880A	
AD12	0401-000101	DIODE-SWITCHING;1N4148,100V,200mA,500mW,	
AD14	0401-000101	DIODE-SWITCHING;1N4148,100V,200mA,500mW,	
AD18	0401-000101	DIODE-SWITCHING;1N4148,100V,200mA,500mW,	
AD10	0401-000101	DIODE-SWITCHING;1N4148,100V,200mA,500mW,	
AD100	0401-000101	DIODE-SWITCHING;1N4148,100V,200mA,500mW,	
AD101	0401-000101	DIODE-SWITCHING;1N4148,100V,200mA,500mW,	
AD103	0401-000101	DIODE-SWITCHING;1N4148,100V,200mA,500mW,	
AD11	0401-000101	DIODE-SWITCHING;1N4148,100V,200mA,500mW,	
AD13	0401-000101	DIODE-SWITCHING;1N4148,100V,200mA,500mW,	
AD15	0401-000101	DIODE-SWITCHING;1N4148,100V,200mA,500mW,	
AD22	0401-000101	DIODE-SWITCHING;1N4148,100V,200mA,500mW,	
AD9	0401-000101	DIODE-SWITCHING;1N4148,100V,200mA,500mW,	
TD1	0401-000101	DIODE-SWITCHING;1N4148,100V,200mA,500mW,	
TD2	0401-000101	DIODE-SWITCHING;1N4148,100V,200mA,500mW,	
TD3	0401-000101	DIODE-SWITCHING;1N4148,100V,200mA,500mW,	
TD4	0401-000101	DIODE-SWITCHING;1N4148,100V,200mA,500mW,	
TD5	0401-000101	DIODE-SWITCHING;1N4148,100V,200mA,500mW,	
TD6	0401-000101	DIODE-SWITCHING;1N4148,100V,200mA,500mW,	
TD7	0401-000101	DIODE-SWITCHING;1N4148,100V,200mA,500mW,	
TD8	0401-000101	DIODE-SWITCHING;1N4148,100V,200mA,500mW,	
UD1	0401-000101	DIODE-SWITCHING;1N4148,100V,200mA,500mW,	
UD10	0401-000101	DIODE-SWITCHING;1N4148,100V,200mA,500mW,	
UD11	0401-000101	DIODE-SWITCHING;1N4148,100V,200mA,500mW,	
UD12	0401-000101	DIODE-SWITCHING;1N4148,100V,200mA,500mW,	
UD13	0401-000101	DIODE-SWITCHING;1N4148,100V,200mA,500mW,	
UD14	0401-000101	DIODE-SWITCHING;1N4148,100V,200mA,500mW,	
UD15	0401-000101	DIODE-SWITCHING;1N4148,100V,200mA,500mW,	
UD16	0401-000101	DIODE-SWITCHING;1N4148,100V,200mA,500mW,	
UD17	0401-000101	DIODE-SWITCHING;1N4148,100V,200mA,500mW,	
UD2	0401-000101	DIODE-SWITCHING;1N4148,100V,200mA,500mW,	
UD3	0401-000101	DIODE-SWITCHING;1N4148,100V,200mA,500mW,	
UD4	0401-000101	DIODE-SWITCHING;1N4148,100V,200mA,500mW,	
UD8	0401-000101	DIODE-SWITCHING;1N4148,100V,200mA,500mW,	
UD9	0401-000101	DIODE-SWITCHING;1N4148,100V,200mA,500mW,	
AD102	0402-000127	DIODE-RECTIFIER;1N4002,100V,1A,DO-41	
AD19	0402-000127	DIODE-RECTIFIER;1N4002,100V,1A,DO-41	
AD20	0402-000127	DIODE-RECTIFIER;1N4002,100V,1A,DO-41	
AD21	0402-000127	DIODE-RECTIFIER;1N4002,100V,1A,DO-41	
AD23	0402-000127	DIODE-RECTIFIER;1N4002,100V,1A,DO-41	
AD24	0402-000127	DIODE-RECTIFIER;1N4002,100V,1A,DO-41	
UD5	0402-000127	DIODE-RECTIFIER;1N4002,100V,1A,DO-41	
UD6	0402-000127	DIODE-RECTIFIER;1N4002,100V,1A,DO-41	
UD7	0402-000127	DIODE-RECTIFIER;1N4002,100V,1A,DO-41	
AZD1	0403-000352	DIODE-ZENER;UZ4.7B,M,4.7V,4.4-5.0V,500mW,	
AZD2	0403-000352	DIODE-ZENER;UZ4.7B,M,4.7V,4.4-5.0V,500mW,	
AZD4	0403-000352	DIODE-ZENER;UZ4.7B,M,4.7V,4.4-5.0V,500mW,	
TZD2	0403-000354	DIODE-ZENER;UZ5.1B,5.1V,4.8-5.4V,500mW/D	
UZD1	0403-000355	DIODE-ZENER;UZ5.1BSB,5.1V,4.97-5.18V,500	
TZD1	0403-000372	DIODE-ZENER;UZ9.1B,M,9.1V,8.5-9.6V,500mW,	
AZD3	0403-000379	DIODE-ZENER;UZP12B,12V,11.4-12.6V,1W,DO-	
AQ36	0501-000010	TR-SMALL SIGNAL;KSC1008,NPN,800mW,TO-92,	
AQ38	0501-000010	TR-SMALL SIGNAL;KSC1008,NPN,800mW,TO-92,	
AQ41	0501-000010	TR-SMALL SIGNAL;KSC1008,NPN,800mW,TO-92,	
AQ42	0501-000010	TR-SMALL SIGNAL;KSC1008,NPN,800mW,TO-92,	
AQ43	0501-000010	TR-SMALL SIGNAL;KSC1008,NPN,800mW,TO-92,	
TQ4	0501-000294	TR-SMALL SIGNAL;KSA709,Y,NPN,800mW,TO-92	
AQ13	0501-000303	TR-SMALL SIGNAL;KSA733,PNP,250mW,TO-92,T	
AQ14	0501-000303	TR-SMALL SIGNAL;KSA733,PNP,250mW,TO-92,T	
AQ15	0501-000303	TR-SMALL SIGNAL;KSA733,PNP,250mW,TO-92,T	
AQ17	0501-000303	TR-SMALL SIGNAL;KSA733,PNP,250mW,TO-92,T	
AQ20	0501-000303	TR-SMALL SIGNAL;KSA733,PNP,250mW,TO-92,T	

Location no.	Code no.	Description & Specification	Remarks	Location no.	Code no.	Description & Specification	Remarks
PQ10	0504-001003	TR-DIGITAL;KSR2003;PNP;300MW;22K-22K;TO-		PR3	2001-000522	R-CARBON;22Kohm,5%,1/8W,AA,TP;1.8x3.2mm	
PQ12	0504-001003	TR-DIGITAL;KSR2003;PNP;300MW;22K-22K;TO-		PR4	2001-000522	R-CARBON;22Kohm,5%,1/8W,AA,TP;1.8x3.2mm	
PQ14	0504-001003	TR-DIGITAL;KSR2003;PNP;300MW;22K-22K;TO-		PR5	2001-000522	R-CARBON;22Kohm,5%,1/8W,AA,TP;1.8x3.2mm	
PQ2	0504-001003	TR-DIGITAL;KSR2003;PNP;300MW;22K-22K;TO-		PR6	2001-000522	R-CARBON;22Kohm,5%,1/8W,AA,TP;1.8x3.2mm	
PQ5	0504-001003	TR-DIGITAL;KSR2003;PNP;300MW;22K-22K;TO-		PR7	2001-000522	R-CARBON;22Kohm,5%,1/8W,AA,TP;1.8x3.2mm	
PQ8	0504-001003	TR-DIGITAL;KSR2003;PNP;300MW;22K-22K;TO-		PR8	2001-000522	R-CARBON;22Kohm,5%,1/8W,AA,TP;1.8x3.2mm	
PIC10	1001-000105	IC-ANALOG SWITCH;CD4066BM;BILATERAL CMOS		PR9	2001-000522	R-CARBON;22Kohm,5%,1/8W,AA,TP;1.8x3.2mm	
PIC11	1001-000105	IC-ANALOG SWITCH;CD4066BM;BILATERAL CMOS		PR28	2001-000539	R-CARBON;24Kohm,5%,1/8W,AA,TP;1.8x3.2mm	
PIC16	1001-000105	IC-ANALOG SWITCH;CD4066BM;BILATERAL CMOS		PR29	2001-000539	R-CARBON;24Kohm,5%,1/8W,AA,TP;1.8x3.2mm	
PIC9	1001-000105	IC-ANALOG SWITCH;CD4066BM;BILATERAL CMOS		PR27L	2001-000587	R-CARBON;3.3Kohm,5%,1/2W,AA,TP;3.3x9mm	
PIC12	1201-000163	IC-OP AMP;4560;SOP;8P;150MIL;DUAL;100V/M		PR27R	2001-000587	R-CARBON;3.3Kohm,5%,1/2W,AA,TP;3.3x9mm	
PIC13	1201-000163	IC-OP AMP;4560;SOP;8P;150MIL;DUAL;100V/M		PR37	2001-000613	R-CARBON;3.9Kohm,5%,1/8W,AA,TP;1.8x3.2mm	
PIC14	1201-000163	IC-OP AMP;4560;SOP;8P;150MIL;DUAL;100V/M		PR38	2001-000613	R-CARBON;3.9Kohm,5%,1/8W,AA,TP;1.8x3.2mm	
PIC15	1201-000163	IC-OP AMP;4560;SOP;8P;150MIL;DUAL;100V/M		PR30	2001-000645	R-CARBON;330Kohm,5%,1/8W,AA,TP;1.8x3.2mm	
PIC17	1201-000163	IC-OP AMP;4560;SOP;8P;150MIL;DUAL;100V/M		PR23L	2001-000660	R-CARBON;33Kohm,5%,1/8W,AA,TP;1.8x3.2mm	
PIC4	1201-000163	IC-OP AMP;4560;SOP;8P;150MIL;DUAL;100V/M		PR23R	2001-000660	R-CARBON;33Kohm,5%,1/8W,AA,TP;1.8x3.2mm	
PIC5	1201-000163	IC-OP AMP;4560;SOP;8P;150MIL;DUAL;100V/M		PR107	2001-000734	R-CARBON;4.7Kohm,5%,1/8W,AA,TP;1.8x3.2mm	
PIC6	1201-000163	IC-OP AMP;4560;SOP;8P;150MIL;DUAL;100V/M		PR109	2001-000734	R-CARBON;4.7Kohm,5%,1/8W,AA,TP;1.8x3.2mm	
PIC7	1201-000163	IC-OP AMP;4560;SOP;8P;150MIL;DUAL;100V/M		PR114	2001-000734	R-CARBON;4.7Kohm,5%,1/8W,AA,TP;1.8x3.2mm	
PIC8	1201-000163	IC-OP AMP;4560;SOP;8P;150MIL;DUAL;100V/M		PR115	2001-000734	R-CARBON;4.7Kohm,5%,1/8W,AA,TP;1.8x3.2mm	
MR6L	2001-000008	R-CARBON;15Kohm,5%,1/8W,AA,TP;1.8x3.2mm		PR101	2001-000780	R-CARBON;470ohm,5%,1/8W,AA,TP;1.8x3.2mm	
MR6R	2001-000008	R-CARBON;15Kohm,5%,1/8W,AA,TP;1.8x3.2mm		PR102	2001-000780	R-CARBON;470ohm,5%,1/8W,AA,TP;1.8x3.2mm	
PR16L	2001-000008	R-CARBON;15Kohm,5%,1/8W,AA,TP;1.8x3.2mm		PR25L	2001-000780	R-CARBON;470ohm,5%,1/8W,AA,TP;1.8x3.2mm	
PR16R	2001-000008	R-CARBON;15Kohm,5%,1/8W,AA,TP;1.8x3.2mm		PR25R	2001-000780	R-CARBON;470ohm,5%,1/8W,AA,TP;1.8x3.2mm	
PR17L	2001-000008	R-CARBON;15Kohm,5%,1/8W,AA,TP;1.8x3.2mm		PR47	2001-000780	R-CARBON;470ohm,5%,1/8W,AA,TP;1.8x3.2mm	
PR17R	2001-000008	R-CARBON;15Kohm,5%,1/8W,AA,TP;1.8x3.2mm		PR8L	2001-000780	R-CARBON;470ohm,5%,1/8W,AA,TP;1.8x3.2mm	
PR31	2001-000008	R-CARBON;15Kohm,5%,1/8W,AA,TP;1.8x3.2mm		PR8R	2001-000780	R-CARBON;470ohm,5%,1/8W,AA,TP;1.8x3.2mm	
PR34	2001-000008	R-CARBON;15Kohm,5%,1/8W,AA,TP;1.8x3.2mm		PR9L	2001-000780	R-CARBON;470ohm,5%,1/8W,AA,TP;1.8x3.2mm	
PR20	2001-000010	R-CARBON;20Kohm,5%,1/8W,AA,TP;1.8x3.2mm		PR9R	2001-000780	R-CARBON;470ohm,5%,1/8W,AA,TP;1.8x3.2mm	
PR44	2001-000010	R-CARBON;68Kohm,5%,1/8W,AA,TP;1.8x3.2mm		PR12L	2001-000786	R-CARBON;47Kohm,5%,1/8W,AA,TP;1.8x3.2mm	
PR150	2001-000273	R-CARBON;100Kohm,5%,1/8W,AA,TP;1.8x3.2mm		PR12R	2001-000786	R-CARBON;47Kohm,5%,1/8W,AA,TP;1.8x3.2mm	
MR2L	2001-000273	R-CARBON;100Kohm,5%,1/8W,AA,TP;1.8x3.2mm		PR12L	2001-000786	R-CARBON;47Kohm,5%,1/8W,AA,TP;1.8x3.2mm	
MR2R	2001-000273	R-CARBON;100Kohm,5%,1/8W,AA,TP;1.8x3.2mm		PR13R	2001-000786	R-CARBON;47Kohm,5%,1/8W,AA,TP;1.8x3.2mm	
MR3L	2001-000273	R-CARBON;100Kohm,5%,1/8W,AA,TP;1.8x3.2mm		PR14L	2001-000786	R-CARBON;47Kohm,5%,1/8W,AA,TP;1.8x3.2mm	
MR3R	2001-000273	R-CARBON;100Kohm,5%,1/8W,AA,TP;1.8x3.2mm		PR14R	2001-000786	R-CARBON;47Kohm,5%,1/8W,AA,TP;1.8x3.2mm	
MRTL	2001-000273	R-CARBON;100Kohm,5%,1/8W,AA,TP;1.8x3.2mm		PR32	2001-000786	R-CARBON;47Kohm,5%,1/8W,AA,TP;1.8x3.2mm	
MRTR	2001-000273	R-CARBON;100Kohm,5%,1/8W,AA,TP;1.8x3.2mm		PR35	2001-000786	R-CARBON;47Kohm,5%,1/8W,AA,TP;1.8x3.2mm	
PR104	2001-000273	R-CARBON;100Kohm,5%,1/8W,AA,TP;1.8x3.2mm		PR106	2001-000802	R-CARBON;5.6KOHM,5%,1/8W,AA,TP;1.8X3.2M	
PR10L	2001-000273	R-CARBON;100Kohm,5%,1/8W,AA,TP;1.8x3.2mm		PR108	2001-000802	R-CARBON;5.6KOHM,5%,1/8W,AA,TP;1.8X3.2M	
PR10R	2001-000273	R-CARBON;100Kohm,5%,1/8W,AA,TP;1.8x3.2mm		PR26	2001-000837	R-CARBON;51Kohm,5%,1/8W,AA,TP;1.8x3.2mm	
PR11L	2001-000273	R-CARBON;100Kohm,5%,1/8W,AA,TP;1.8x3.2mm		PR27	2001-000837	R-CARBON;51Kohm,5%,1/8W,AA,TP;1.8x3.2mm	
PR11R	2001-000273	R-CARBON;100Kohm,5%,1/8W,AA,TP;1.8x3.2mm		MR4L	2001-000855	R-CARBON;560ohm,5%,1/4W,AA,TP;2.4x6.4mm	
PR40	2001-000273	R-CARBON;100Kohm,5%,1/8W,AA,TP;1.8x3.2mm		MR4R	2001-000855	R-CARBON;560ohm,5%,1/4W,AA,TP;2.4x6.4mm	
PR24L	2001-000281	R-CARBON;100ohm,5%,1/8W,AA,TP;1.8x3.2mm		PR10	2001-000890	R-CARBON;6.8Kohm,5%,1/8W,AA,TP;1.8x3.2mm	
PR24R	2001-000281	R-CARBON;100ohm,5%,1/8W,AA,TP;1.8x3.2mm		PR15L	2001-000890	R-CARBON;6.8Kohm,5%,1/8W,AA,TP;1.8x3.2mm	
PR48	2001-000281	R-CARBON;100ohm,5%,1/8W,AA,TP;1.8x3.2mm		PR15R	2001-000890	R-CARBON;6.8Kohm,5%,1/8W,AA,TP;1.8x3.2mm	
VR3	2001-000281	R-CARBON;100ohm,5%,1/8W,AA,TP;1.8x3.2mm		PR22L	2001-000890	R-CARBON;6.8Kohm,5%,1/8W,AA,TP;1.8x3.2mm	
VR4	2001-000281	R-CARBON;100ohm,5%,1/8W,AA,TP;1.8x3.2mm		PR22R	2001-000890	R-CARBON;6.8Kohm,5%,1/8W,AA,TP;1.8x3.2mm	
PR19	2001-000290	R-CARBON;10Kohm,5%,1/8W,AA,TP;1.8x3.2mm		PR43	2001-000890	R-CARBON;6.8Kohm,5%,1/8W,AA,TP;1.8x3.2mm	
PR19L	2001-000290	R-CARBON;10Kohm,5%,1/8W,AA,TP;1.8x3.2mm		VR1	2001-000938	R-CARBON;68ohm,5%,1/8W,AA,TP;1.8x3.2mm	
PR19R	2001-000290	R-CARBON;10Kohm,5%,1/8W,AA,TP;1.8x3.2mm		VR6	2001-000938	R-CARBON;68ohm,5%,1/8W,AA,TP;1.8x3.2mm	
PR21	2001-000290	R-CARBON;10Kohm,5%,1/8W,AA,TP;1.8x3.2mm		PR33	2001-000947	R-CARBON;7.5KOHM,5%,1/8W,AA,TP;1.8X3.2M	
PR22	2001-000290	R-CARBON;10Kohm,5%,1/8W,AA,TP;1.8x3.2mm		PR36	2001-000947	R-CARBON;7.5KOHM,5%,1/8W,AA,TP;1.8X3.2M	
PR23	2001-000290	R-CARBON;10Kohm,5%,1/8W,AA,TP;1.8x3.2mm		VR7	2001-000969	R-CARBON;75ohm,5%,1/8W,AA,TP;1.8x3.2mm	
PR11	2001-000331	R-CARBON;12Kohm,5%,1/8W,AA,TP;1.8x3.2mm		VR8	2001-000969	R-CARBON;75ohm,5%,1/8W,AA,TP;1.8x3.2mm	
PR46	2001-000331	R-CARBON;12Kohm,5%,1/8W,AA,TP;1.8x3.2mm		VR9	2001-000969	R-CARBON;75ohm,5%,1/8W,AA,TP;1.8x3.2mm	
MR5L	2001-000397	R-CARBON;180Kohm,5%,1/8W,AA,TP;1.8x3.2mm		PR18L	2001-000977	R-CARBON;8.2Kohm,5%,1/8W,AA,TP;1.8x3.2mm	
MR5R	2001-000397	R-CARBON;180Kohm,5%,1/8W,AA,TP;1.8x3.2mm		PR18R	2001-000977	R-CARBON;8.2Kohm,5%,1/8W,AA,TP;1.8x3.2mm	
MR8L	2001-000429	R-CARBON;1Kohm,5%,1/8W,AA,TP;1.8x3.2mm		PR113	2001-001000	R-CARBON;82Kohm,5%,1/8W,AA,TP;1.8x3.2mm	
MR8R	2001-000429	R-CARBON;1Kohm,5%,1/8W,AA,TP;1.8x3.2mm		PR118	2001-001000	R-CARBON;82Kohm,5%,1/8W,AA,TP;1.8x3.2mm	
PR25	2001-000429	R-CARBON;1Kohm,5%,1/8W,AA,TP;1.8x3.2mm		PR116	2001-001000	R-CARBON;82Kohm,5%,1/8W,AA,TP;1.8x3.2mm	
VR2	2001-000429	R-CARBON;1Kohm,5%,1/8W,AA,TP;1.8x3.2mm		PR26L	2001-001000	R-CARBON;82Kohm,5%,1/8W,AA,TP;1.8x3.2mm	
VR5	2001-000429	R-CARBON;1Kohm,5%,1/8W,AA,TP;1.8x3.2mm		PR26R	2001-001000	R-CARBON;82Kohm,5%,1/8W,AA,TP;1.8x3.2mm	
PR117	2001-000435	R-CARBON;1Mohm,5%,1/8W,AA,TP;1.8x3.2mm		PR50	2001-001077	R-CARBON(S);150ohm,5%,1/2W,AA,TP;2.4x6.4	
PR24	2001-000435	R-CARBON;1Mohm,5%,1/8W,AA,TP;1.8x3.2mm		PR42	2001-001077	R-CARBON(S);150ohm,5%,1/2W,AA,TP;2.4x6.4	
PR105	2001-000449	R-CARBON;2.2Kohm,5%,1/8W,AA,TP;1.8x3.2mm		MC4L	2201-000144	C-CERAMIC,DISC;100pF,5%,50V,CH,TP;8x3.5	
PR119	2001-000449	R-CARBON;2.2Kohm,5%,1/8W,AA,TP;1.8x3.2mm		MC4R	2201-000144	C-CERAMIC,DISC;100pF,5%,50V,CH,TP;8x3.5	
PR49	2001-000449	R-CARBON;2.2Kohm,5%,1/8W,AA,TP;1.8x3.2mm		PC104	2201-000231	C-CERAMIC,DISC;150pF,10%,50V,SL,TP;6x3.5	
PR51	2001-000449	R-CARBON;2.2Kohm,5%,1/8W,AA,TP;1.8x3.2mm		PC105	2201-000231	C-CERAMIC,DISC;150pF,10%,50V,SL,TP;6x3.5	
PR39	2001-000454	R-CARBON;2.2Mohm,5%,1/8W,AA,TP;1.8x3.2mm		MC3L	2201-000368	C-CERAMIC,DISC;220pF,10%,50V,SL,TP;6.5x3	
MR1L	2001-000356	R-CARBON;150Kohm,5%,1/8W,AA,TP;1.8x3.2mm		MC3R	2201-000368	C-CERAMIC,DISC;220pF,10%,50V,SL,TP;6.5x3	
MR1R	2001-000515	R-CARBON;220ohm,5%,1/8W,AA,TP;1.8x3.2mm		PC114	2201-000368	C-CERAMIC,DISC;220pF,10%,50V,SL,TP;6.5x3	
PR1	2001-000515	R-CARBON;220ohm,5%,1/8W,AA,TP;1.8x3.2mm		PC115	2201-000368	C-CERAMIC,DISC;220pF,10%,50V,SL,TP;6.5x3	
PR103	2001-000515	R-CARBON;220ohm,5%,1/8W,AA,TP;1.8x3.2mm		PC58	2201-000423	C-CERAMIC,DISC;27pF,5%,50V,NPO,TP;5x3.2	
PR1L	2001-000515	R-CARBON;220ohm,5%,1/8W,AA,TP;1.8x3.2mm		PC59	2201-000423	C-CERAMIC,DISC;27pF,5%,50V,NPO,TP;5x3.2	
PR1R	2001-000515	R-CARBON;220ohm,5%,1/8W,AA,TP;1.8x3.2mm		MC5L	2201-000470	C-CERAMIC,DISC;330pF,10%,50V,SL,TP;6.5x3	
PR2	2001-000515	R-CARBON;220ohm,5%,1/8W,AA,TP;1.8x3.2mm		MC5R	2201-000470	C-CERAMIC,DISC;330pF,10%,50V,SL,TP;6.5x3	
PR2L	2001-000515	R-CARBON;220ohm,5%,1/8W,AA,TP;1.8x3.2mm		PC14L	2201-000557	C-CERAMIC,DISC;470pF,10%,50V,SL,TP;8x3.5	
PR2R	2001-000515	R-CARBON;220ohm,5%,1/8W,AA,TP;1.8x3.2mm		PC13L	2201-000557	C-CERAMIC,DISC;470pF,10%,50V,SL,TP;8x3.5	
PR3L	2001-000515	R-CARBON;220ohm,5%,1/8W,AA,TP;1.8x3.2mm		PC13R	2201-000557	C-CERAMIC,DISC;470pF,10%,50V,SL,TP;8x3.5	
PR3R	2001-000515	R-CARBON;220ohm,5%,1/8W,AA,TP;1.8x3.2mm		PC44	2201-000557	C-CERAMIC,DISC;470pF,10%,50V,SL,TP;8x3.5	
PR4L	2001-000515	R-CARBON;220ohm,5%,1/8W,AA,TP;1.8x3.2mm		PC4L	2201-000557	C-CERAMIC,DISC;470pF,10%,50V,SL,TP;8x3.5	
PR4R	2001-000515	R-CARBON;220ohm,5%,1/8W,AA,TP;1.8x3.2mm		PC4R	2201-000557	C-CERAMIC,DISC;470pF,10%,50V,SL,TP;8x3.5	
PR5L	2001-000515	R-CARBON;220ohm,5%,1/8W,AA,TP;1.8x3.2mm		PC111	2201-000565	C-CERAMIC,DISC;47nF,20%,50V,Y5V,12.5X4.0	
PR5R	2001-000515	R-CARBON;220ohm,5%,1/8W,AA,TP;1.8x3.2mm		PC100	2201-000576	C-CERAMIC,DISC;47pF,5%,50V,SL,TP;4x4mm,2	
PR6L	2001-000515	R-CARBON;220ohm,5%,1/8W,AA,TP;1.8x3.2mm		PC11L	2201-000601	C-CERAMIC,DISC;560pF,10%,50V,Y5P,TP;5x3	
PR6R	2001-000515	R-CARBON;220ohm,5%,1/8W,AA,TP;1.8x3.2mm		PC27	2201-000601	C-CERAMIC,DISC;560pF,10%,50V,Y5P,TP;5x3	
PR7L	2001-000515	R-CARBON;220ohm,5%,1/8W,AA,TP;1.8x3.2mm		PC11R	2201-000601	C-CERAMIC,DISC;560pF,10%,50V,Y5P,TP;5x3	
PR7R	2001-000515	R-CARBON;220ohm,5%,1/8W,AA,TP;1.8x3.2mm		PC10L	2201-000615	C-CERAMIC,DISC;56pF,5%,50V,SL,5.0*3.0	
PR110	2001-000522	R-CARBON;22Kohm,5%,1/8W,AA,TP;1.8x3.2mm		PC10R	2201-000615	C-CERAMIC,DISC;56pF,5%,50V,SL,5.0*3.0	
PR111	2001-000522	R-CARBON;22Kohm,5%,1/8W,AA,TP;1.8x3.2mm		PC45	2201-000642	C-CERAMIC,DISC;680pF,10%,50V,Y5P,TP;5x3	
PR112	2001-000522	R-CARBON;22Kohm,5%,1/8W,AA,TP;1.8x3.2mm		PC49	2201-000642	C-CERAMIC,DISC;680pF,10%,50V,Y5P,TP;5x3	

Location no.	Code no.	Description & Specification	Remarks	Location no.	Code no.	Description & Specification	Remarks
ACW19	3711-001487	CONNECTOR-HEADER,NOWALL,3P,1R,8mm,STRAIGHT,SN		AQ3	0501-002188	TR-SMALL SIGNAL;KSA992,PNP,500mW,TO-92,TP,300-	
	3711-003112	CONNECTOR-HEADER,BOX,8P,1R,2.5MM,STRAIGHT,SN		AQ3L	0501-002188	TR-SMALL SIGNAL;KSA992,PNP,500mW,TO-92,TP,300-	
AJ1C	3716-001094	TERMINAL-BLOCK,SOLDER,4P,19mm,-,-		AQ3R	0501-002188	TR-SMALL SIGNAL;KSA992,PNP,500mW,TO-92,TP,300-	
AJ1F	3716-001094	TERMINAL-BLOCK,SOLDER,4P,19mm,-,-		AQ4	0501-002188	TR-SMALL SIGNAL;KSA992,PNP,500mW,TO-92,TP,300-	
AJ1S	3716-001094	TERMINAL-BLOCK,SOLDER,4P,19mm,-,-		AQ44	0501-002188	TR-SMALL SIGNAL;KSA992,PNP,500mW,TO-92,TP,300-	
AJ2F	3716-001094	TERMINAL-BLOCK,SOLDER,4P,19mm,-,-		AQ4L	0501-002188	TR-SMALL SIGNAL;KSA992,PNP,500mW,TO-92,TP,300-	
HJK1	3722-000363	JACK-PHONE,9P,6.4MM,AU,BLK,-		AQ4R	0501-002188	TR-SMALL SIGNAL;KSA992,PNP,500mW,TO-92,TP,300-	
	AH27-92001E	COIL-SPRING;SSKS-17,1.7uH,10X5.7X4,-,-		AQ9L	0501-002188	TR-SMALL SIGNAL;KSA992,PNP,500mW,TO-92,TP,300-	
AL1	AH27-92001E	COIL-SPRING;SSKS-17,1.7uH,10X5.7X4,-,-		AQ9R	0501-002188	TR-SMALL SIGNAL;KSA992,PNP,500mW,TO-92,TP,300-	
AL12	AH27-92001E	COIL-SPRING;SSKS-17,1.7uH,10X5.7X4,-,-		FR5	2001-000005	R-CARBON;390ohm,5%,1/8W,AA,TP,1.8X3.2MM	
AL13	AH27-92001E	COIL-SPRING;SSKS-17,1.7uH,10X5.7X4,-,-		AR41	2001-000008	R-CARBON;15KOHM,5%,1/8W,AA,TP,1.8X3.2MM	
AL14	AH27-92001E	COIL-SPRING;SSKS-17,1.7uH,10X5.7X4,-,-		AR47	2001-000008	R-CARBON;15KOHM,5%,1/8W,AA,TP,1.8X3.2MM	
AL15	AH27-92001E	COIL-SPRING;SSKS-17,1.7uH,10X5.7X4,-,-		AR8	2001-000008	R-CARBON;15KOHM,5%,1/8W,AA,TP,1.8X3.2MM	
AL1L	AH27-92001E	COIL-SPRING;SSKS-17,1.7uH,10X5.7X4,-,-		-	2001-000110	R-CARBON;10OHM,5%,1/4W,AA,TP,2.4X6.4MM	
AL1R	AH27-92001E	COIL-SPRING;SSKS-17,1.7uH,10X5.7X4,-,-		AR20	2001-000110	R-CARBON;10OHM,5%,1/4W,AA,TP,2.4X6.4MM	
AL21	AH27-92001E	COIL-SPRING;SSKS-17,1.7uH,10X5.7X4,-,-		AR32L	2001-000110	R-CARBON;10OHM,5%,1/4W,AA,TP,2.4X6.4MM	
AL2R	AH27-92001E	COIL-SPRING;SSKS-17,1.7uH,10X5.7X4,-,-		AR32R	2001-000110	R-CARBON;10OHM,5%,1/4W,AA,TP,2.4X6.4MM	
FAN	AH31-12006A	MOTOR-DC-FAN,DO825A-12M,12V DC/0.17A,-		AR48R	2001-000110	R-CARBON;10OHM,5%,1/4W,AA,TP,2.4X6.4MM	
CJK1	AH37-22001G	JACK-PIN,3.7MM,S-436P-01,3P,BULK,-		AR20L	2001-000221	R-CARBON;1.2KOHM,5%,1/8W,AA,TP,1.8X3.2MM	
ACW17	AH39-00132A	LEAD-CONNECTOR ASSY,-,-,SA-880A,SA-880A-6P,-,150MM,-,51004		AR20R	2001-000221	R-CARBON;1.2KOHM,5%,1/8W,AA,TP,1.8X3.2MM	
ACW16	AH39-20561D	LEAD CONNECTOR-ASSY,-,5264,51088,2P,150MM,1007#28		AR27	2001-000221	R-CARBON;1.2KOHM,5%,1/8W,AA,TP,1.8X3.2MM	
ACW12	AH39-20561F	LEAD CONNECTOR-ASSY,-,51004,35023,8P,180MM,1007#28		AR2L	2001-000273	R-CARBON;100OHM,5%,1/8W,AA,TP,1.8X3.2MM	
ACW14	AH39-20561H	LEAD CONNECTOR-ASSY,-,51004,35023,15P,150MM,1007#2		AR2R	2001-000273	R-CARBON;100OHM,5%,1/8W,AA,TP,1.8X3.2MM	
ACW15	AH39-20561I	LEAD CONNECTOR-ASSY,-,51004,35023,15P,150MM,1007#2		AR42	2001-000273	R-CARBON;100OHM,5%,1/8W,AA,TP,1.8X3.2MM	
	AH62-10024A	INSULATION;-INSULATING,-,TO.3,-,SA-880A		AR51	2001-000273	R-CARBON;100OHM,5%,1/8W,AA,TP,1.8X3.2MM	
	AH62-10024A	INSULATION;-INSULATING,-,TO.3,-,SA-880A		AR55	2001-000273	R-CARBON;100OHM,5%,1/8W,AA,TP,1.8X3.2MM	
IN/RUB	AH62-30061A	HEAT SINK-S,AL EXTR,WHT,40H,AV330R,-,-,-		AR11L	2001-000281	R-CARBON;100OHM,5%,1/8W,AA,TP,1.8X3.2MM	
	AH62-30061A	HEAT SINK-S,AL EXTR,WHT,40H,AV330R,-,-,-		AR11R	2001-000281	R-CARBON;100OHM,5%,1/8W,AA,TP,1.8X3.2MM	
H/SINK	AH62-32005A	HEAT SINK-M,-,ALS,-,-,-,-,SA-880A		AR13	2001-000281	R-CARBON;100OHM,5%,1/8W,AA,TP,1.8X3.2MM	
HEAT	AH62-32012A	HEAT SINK-TR;-AL EXTR,-,-,-,-,SA870P/880		AR17L	2001-000281	R-CARBON;100OHM,5%,1/8W,AA,TP,1.8X3.2MM	
SINK	AH62-32012A	HEAT SINK-TR;-AL EXTR,-,-,-,-,SA870P/880		AR17R	2001-000281	R-CARBON;100OHM,5%,1/8W,AA,TP,1.8X3.2MM	
AD1	0401-000101	DIODE-SWITCHING;IN4148,100V,200mA,DO-35,TP		AR18L	2001-000281	R-CARBON;100OHM,5%,1/8W,AA,TP,1.8X3.2MM	
AD16	0401-000101	DIODE-SWITCHING;IN4148,100V,200mA,DO-35,TP		AR18R	2001-000281	R-CARBON;100OHM,5%,1/8W,AA,TP,1.8X3.2MM	
AD17	0401-000101	DIODE-SWITCHING;IN4148,100V,200mA,DO-35,TP		AR3	2001-000281	R-CARBON;100OHM,5%,1/8W,AA,TP,1.8X3.2MM	
AD1L	0401-000101	DIODE-SWITCHING;IN4148,100V,200mA,DO-35,TP		AR31	2001-000281	R-CARBON;100OHM,5%,1/8W,AA,TP,1.8X3.2MM	
AD1R	0401-000101	DIODE-SWITCHING;IN4148,100V,200mA,DO-35,TP		AR32	2001-000281	R-CARBON;100OHM,5%,1/8W,AA,TP,1.8X3.2MM	
AD2	0401-000101	DIODE-SWITCHING;IN4148,100V,200mA,DO-35,TP		AR36L	2001-000281	R-CARBON;100OHM,5%,1/8W,AA,TP,1.8X3.2MM	
AD201	0401-000101	DIODE-SWITCHING;IN4148,100V,200mA,DO-35,TP		AR36R	2001-000281	R-CARBON;100OHM,5%,1/8W,AA,TP,1.8X3.2MM	
AD202	0401-000101	DIODE-SWITCHING;IN4148,100V,200mA,DO-35,TP		AR4L	2001-000281	R-CARBON;100OHM,5%,1/8W,AA,TP,1.8X3.2MM	
AD203	0401-000101	DIODE-SWITCHING;IN4148,100V,200mA,DO-35,TP		AR4R	2001-000281	R-CARBON;100OHM,5%,1/8W,AA,TP,1.8X3.2MM	
AD204	0401-000101	DIODE-SWITCHING;IN4148,100V,200mA,DO-35,TP		AR64	2001-000281	R-CARBON;100OHM,5%,1/8W,AA,TP,1.8X3.2MM	
AD205	0401-000101	DIODE-SWITCHING;IN4148,100V,200mA,DO-35,TP		AR66	2001-000281	R-CARBON;100OHM,5%,1/8W,AA,TP,1.8X3.2MM	
AD206	0401-000101	DIODE-SWITCHING;IN4148,100V,200mA,DO-35,TP		AR7	2001-000281	R-CARBON;100OHM,5%,1/8W,AA,TP,1.8X3.2MM	
AD2L	0401-000101	DIODE-SWITCHING;IN4148,100V,200mA,DO-35,TP		AR9L	2001-000281	R-CARBON;100OHM,5%,1/8W,AA,TP,1.8X3.2MM	
AD2R	0401-000101	DIODE-SWITCHING;IN4148,100V,200mA,DO-35,TP		AR9R	2001-000281	R-CARBON;100OHM,5%,1/8W,AA,TP,1.8X3.2MM	
AD3	0401-000101	DIODE-SWITCHING;IN4148,100V,200mA,DO-35,TP		AR35	2001-000290	R-CARBON;10KOHM,5%,1/8W,AA,TP,1.8X3.2MM	
AD32	0401-000101	DIODE-SWITCHING;IN4148,100V,200mA,DO-35,TP		AR38	2001-000290	R-CARBON;10KOHM,5%,1/8W,AA,TP,1.8X3.2MM	
AD4	0401-000101	DIODE-SWITCHING;IN4148,100V,200mA,DO-35,TP		AR39	2001-000290	R-CARBON;10KOHM,5%,1/8W,AA,TP,1.8X3.2MM	
AD4L	0401-000101	DIODE-SWITCHING;IN4148,100V,200mA,DO-35,TP		FR6	2001-000290	R-CARBON;10KOHM,5%,1/8W,AA,TP,1.8X3.2MM	
AD4R	0401-000101	DIODE-SWITCHING;IN4148,100V,200mA,DO-35,TP		FR7	2001-000290	R-CARBON;10KOHM,5%,1/8W,AA,TP,1.8X3.2MM	
AD57	0401-000101	DIODE-SWITCHING;IN4148,100V,200mA,DO-35,TP		FR8	2001-000290	R-CARBON;10KOHM,5%,1/8W,AA,TP,1.8X3.2MM	
AD58	0401-000101	DIODE-SWITCHING;IN4148,100V,200mA,DO-35,TP		AR10L	2001-000302	R-CARBON;100OHM,5%,1/8W,AA,TP,1.8X3.2MM	
AD6	0401-000101	DIODE-SWITCHING;IN4148,100V,200mA,DO-35,TP		AR10R	2001-000302	R-CARBON;100OHM,5%,1/8W,AA,TP,1.8X3.2MM	
AD7L	0401-000101	DIODE-SWITCHING;IN4148,100V,200mA,DO-35,TP		AR11	2001-000302	R-CARBON;100OHM,5%,1/8W,AA,TP,1.8X3.2MM	
AD7R	0401-000101	DIODE-SWITCHING;IN4148,100V,200mA,DO-35,TP		AR47	2001-000331	R-CARBON;12KOHM,5%,1/8W,AA,TP,1.8X3.2MM	
AD105	0402-000127	DIODE-RECTIFIER;IN4002,100V,1A,DO-41,TP		AR310	2001-000356	R-CARBON;150KOHM,5%,1/8W,AA,TP,1.8X3.2MM	
AD106	0402-000127	DIODE-RECTIFIER;IN4002,100V,1A,DO-41,TP		AR501	2001-000356	R-CARBON;150KOHM,5%,1/8W,AA,TP,1.8X3.2MM	
AD28	0402-000127	DIODE-RECTIFIER;IN4002,100V,1A,DO-41,TP		AR19L	2001-000405	R-CARBON;180OHM,5%,1/8W,AA,TP,1.8X3.2MM	
AD29	0402-000127	DIODE-RECTIFIER;IN4002,100V,1A,DO-41,TP		AR19R	2001-000405	R-CARBON;180OHM,5%,1/8W,AA,TP,1.8X3.2MM	
AD30	0402-000127	DIODE-RECTIFIER;IN4002,100V,1A,DO-41,TP		AR33	2001-000405	R-CARBON;180OHM,5%,1/8W,AA,TP,1.8X3.2MM	
AD31	0402-000127	DIODE-RECTIFIER;IN4002,100V,1A,DO-41,TP		AR1	2001-000429	R-CARBON;1KOHM,5%,1/8W,AA,TP,1.8X3.2MM	
AD59	0402-000127	DIODE-RECTIFIER;IN4002,100V,1A,DO-41,TP		AR15L	2001-000429	R-CARBON;1KOHM,5%,1/8W,AA,TP,1.8X3.2MM	
AD6L	0402-000127	DIODE-RECTIFIER;IN4002,100V,1A,DO-41,TP		AR15R	2001-000429	R-CARBON;1KOHM,5%,1/8W,AA,TP,1.8X3.2MM	
AD6R	0402-000127	DIODE-RECTIFIER;IN4002,100V,1A,DO-41,TP		AR16L	2001-000429	R-CARBON;1KOHM,5%,1/8W,AA,TP,1.8X3.2MM	
AD8L	0402-000127	DIODE-RECTIFIER;IN4002,100V,1A,DO-41,TP		AR16R	2001-000429	R-CARBON;1KOHM,5%,1/8W,AA,TP,1.8X3.2MM	
AD8R	0402-000127	DIODE-RECTIFIER;IN4002,100V,1A,DO-41,TP		AR1L	2001-000429	R-CARBON;1KOHM,5%,1/8W,AA,TP,1.8X3.2MM	
AD9L	0402-000127	DIODE-RECTIFIER;IN4002,100V,1A,DO-41,TP		AR1R	2001-000429	R-CARBON;1KOHM,5%,1/8W,AA,TP,1.8X3.2MM	
AD9R	0402-000127	DIODE-RECTIFIER;IN4002,100V,1A,DO-41,TP		AR2	2001-000429	R-CARBON;1KOHM,5%,1/8W,AA,TP,1.8X3.2MM	
AD57	0402-000151	DIODE-RECTIFIER;IN5392,100V,1.5A,DO-15,TP		AR30	2001-000429	R-CARBON;1KOHM,5%,1/8W,AA,TP,1.8X3.2MM	
AZ04	0403-000379	DIODE-ZENER;UZP12B,12V,11.4-12.6V,1W,DO-41		AR34L	2001-000429	R-CARBON;1KOHM,5%,1/8W,AA,TP,1.8X3.2MM	
AZ05	0403-000379	DIODE-ZENER;UZP12B,12V,11.4-12.6V,1W,DO-41		AR34R	2001-000429	R-CARBON;1KOHM,5%,1/8W,AA,TP,1.8X3.2MM	
FQ1	0501-000010	TR-SMALL SIGNAL;KSC1008,NPN,800mW,TO-92,TP,120		AR35L	2001-000429	R-CARBON;1KOHM,5%,1/8W,AA,TP,1.8X3.2MM	
FQ2	0501-000010	TR-SMALL SIGNAL;KSC1008,NPN,800mW,TO-92,TP,120		AR35R	2001-000429	R-CARBON;1KOHM,5%,1/8W,AA,TP,1.8X3.2MM	
AQ12	0501-000303	TR-SMALL SIGNAL;KSA733,PNP,250mW,TO-92,TP,120-		AR37L	2001-000429	R-CARBON;1KOHM,5%,1/8W,AA,TP,1.8X3.2MM	
FQ3	0501-000303	TR-SMALL SIGNAL;KSA733,PNP,250mW,TO-92,TP,120-		AR37R	2001-000429	R-CARBON;1KOHM,5%,1/8W,AA,TP,1.8X3.2MM	
AQ10	0501-000331	TR-SMALL SIGNAL;KSC1009-Y,NPN,800mW,TO-92,-,12		AR38L	2001-000429	R-CARBON;1KOHM,5%,1/8W,AA,TP,1.8X3.2MM	
AQ12L	0501-000331	TR-SMALL SIGNAL;KSC1009-Y,NPN,800mW,TO-92,-,12		AR38R	2001-000429	R-CARBON;1KOHM,5%,1/8W,AA,TP,1.8X3.2MM	
AQ12R	0501-000331	TR-SMALL SIGNAL;KSC1009-Y,NPN,800mW,TO-92,-,12		AR3L	2001-000429	R-CARBON;1KOHM,5%,1/8W,AA,TP,1.8X3.2MM	
AQ15L	0501-000331	TR-SMALL SIGNAL;KSC1009-Y,NPN,800mW,TO-92,-,12		AR3R	2001-000429	R-CARBON;1KOHM,5%,1/8W,AA,TP,1.8X3.2MM	
AQ15R	0501-000331	TR-SMALL SIGNAL;KSC1009-Y,NPN,800mW,TO-92,-,12		AR4	2001-000429	R-CARBON;1KOHM,5%,1/8W,AA,TP,1.8X3.2MM	
AQ10L	0501-000354	TR-SMALL SIGNAL;KSC1845-F,NPN,500mW,TO-92,TP,3		AR40R	2001-000429	R-CARBON;1KOHM,5%,1/8W,AA,TP,1.8X3.2MM	
AQ5	0501-000354	TR-SMALL SIGNAL;KSC1845-F,NPN,500mW,TO-92,TP,3		AR41L	2001-000429	R-CARBON;1KOHM,5%,1/8W,AA,TP,1.8X3.2MM	
AQ1	0501-000407	TR-SMALL SIGNAL;KSD471A-Y,NPN,800mW,TO-92,-,12		AR49	2001-000429	R-CARBON;1KOHM,5%,1/8W,AA,TP,1.8X3.2MM	
AQ13L	0501-000407	TR-SMALL SIGNAL;KSD471A-Y,NPN,800mW,TO-92,-,12		AR5	2001-000429	R-CARBON;1KOHM,5%,1/8W,AA,TP,1.8X3.2MM	
AQ13R	0501-000407	TR-SMALL SIGNAL;KSD471A-Y,NPN,800mW,TO-92,-,12		AR5L	2001-000429	R-CARBON;1KOHM,5%,1/8W,AA,TP,1.8X3.2MM	
AQ14L	0501-000407	TR-SMALL SIGNAL;KSD471A-Y,NPN,800mW,TO-92,-,12		AR5R	2001-000429	R-CARBON;1KOHM,5%,1/8W,AA,TP,1.8X3.2MM	
AQ14R	0501-000407	TR-SMALL SIGNAL;KSD471A-Y,NPN,800mW,TO-92,-,12		AR6L	2001-000429	R-CARBON;1KOHM,5%,1/8W,AA,TP,1.8X3.2MM	
AQ1L	0501-000407	TR-SMALL SIGNAL;KSD471A-Y,NPN,800mW,TO-92,-,12		AR6R	2001-000429	R-CARBON;1KOHM,5%,1/8W,AA,TP,1.8X3.2MM	
AQ1R	0501-000407	TR-SMALL SIGNAL;KSD471A-Y,NPN,800mW,TO-92,-,12		AR14L	2001-000449	R-CARBON;2.2KOHM,5%,1/8W,AA,TP,1.8X3.2MM	
AQ2	0501-000407	TR-SMALL SIGNAL;KSD471A-Y,NPN,800mW,TO-92,-,12					

Location no.	Code no.	Description & Specification	Remarks	Location no.	Code no.	Description & Specification	Remarks
AR45L	2001-000449	R-CARBON:2.2KOHM,5%,1/8W,AA,TP,1.8X3.2MM		AC6R	2201-000389	C-CERAMIC,DISC:0.022nF,5%,50V,NP0,TP,5x3.5	
AR45R	2001-000449	R-CARBON:2.2KOHM,5%,1/8W,AA,TP,1.8X3.2MM		AC12L	2201-000476	C-CERAMIC,DISC:0.033nF,10%,50V,SL,TP,5.5x3.5	
AR50	2001-000449	R-CARBON:2.2KOHM,5%,1/8W,AA,TP,1.8X3.2MM		AC12R	2201-000476	C-CERAMIC,DISC:0.033nF,10%,50V,SL,TP,5.5x3.5	
AR21L	2001-000472	R-CARBON:2.7KOHM,5%,1/8W,AA,TP,1.8X3.2MM		AC59	2201-000476	C-CERAMIC,DISC:0.033nF,10%,50V,SL,TP,5.5x3.5	
AR21R	2001-000472	R-CARBON:2.7KOHM,5%,1/8W,AA,TP,1.8X3.2MM		AC320	2201-000547	C-CERAMIC,DISC:4.7nF,20%,500V,Y5V,TP,14x3.5	
AR48	2001-000472	R-CARBON:2.7KOHM,5%,1/8W,AA,TP,1.8X3.2MM		AC321	2201-000547	C-CERAMIC,DISC:4.7nF,20%,500V,Y5V,TP,14x3.5	
AR63	2001-000527	R-CARBON:2.2KOHM,5%,1/8W,AA,TP,1.8X3.2MM		AC322	2201-000547	C-CERAMIC,DISC:4.7nF,20%,500V,Y5V,TP,14x3.5	
AR65	2001-000527	R-CARBON:2.2KOHM,5%,1/8W,AA,TP,1.8X3.2MM		AC323	2201-000547	C-CERAMIC,DISC:4.7nF,20%,500V,Y5V,TP,14x3.5	
AR36	2001-000554	R-CARBON:2.7KOHM,5%,1/8W,AA,TP,1.8X3.2MM		AC324	2201-000547	C-CERAMIC,DISC:4.7nF,20%,500V,Y5V,TP,14x3.5	
FR1	2001-000613	R-CARBON:3.9KOHM,5%,1/8W,AA,TP,1.8X3.2MM		AC330	2201-000547	C-CERAMIC,DISC:4.7nF,20%,500V,Y5V,TP,14x3.5	
FR2	2001-000613	R-CARBON:3.9KOHM,5%,1/8W,AA,TP,1.8X3.2MM		AC331	2201-000547	C-CERAMIC,DISC:4.7nF,20%,500V,Y5V,TP,14x3.5	
AR301	2001-000645	R-CARBON:3.3KOHM,5%,1/8W,AA,TP,1.8X3.2MM		AC340	2201-000547	C-CERAMIC,DISC:4.7nF,20%,500V,Y5V,TP,14x3.5	
AR302	2001-000645	R-CARBON:3.3KOHM,5%,1/8W,AA,TP,1.8X3.2MM		AC342	2201-000547	C-CERAMIC,DISC:4.7nF,20%,500V,Y5V,TP,14x3.5	
AR303	2001-000645	R-CARBON:3.3KOHM,5%,1/8W,AA,TP,1.8X3.2MM		EMC10	2201-000547	C-CERAMIC,DISC:4.7nF,20%,500V,Y5V,TP,14x3.5	
AR23L	2001-000660	R-CARBON:3.9KOHM,5%,1/8W,AA,TP,1.8X3.2MM		AC18L	2201-000601	C-CERAMIC,DISC:0.56nF,10%,50V,Y5P,TP,4x3mm,5	
AR29	2001-000660	R-CARBON:3.3KOHM,5%,1/8W,AA,TP,1.8X3.2MM		AC18R	2201-000601	C-CERAMIC,DISC:0.56nF,10%,50V,Y5P,TP,4x3mm,5	
AR40	2001-000660	R-CARBON:3.3KOHM,5%,1/8W,AA,TP,1.8X3.2MM		AC3	2201-000601	C-CERAMIC,DISC:0.56nF,10%,50V,Y5P,TP,4x3mm,5	
AR6	2001-000660	R-CARBON:3.3KOHM,5%,1/8W,AA,TP,1.8X3.2MM		AC3L	2201-000601	C-CERAMIC,DISC:0.56nF,10%,50V,Y5P,TP,4x3mm,5	
AR7L	2001-000660	R-CARBON:3.3KOHM,5%,1/8W,AA,TP,1.8X3.2MM		AC3R	2201-000601	C-CERAMIC,DISC:0.56nF,10%,50V,Y5P,TP,4x3mm,5	
AR7R	2001-000660	R-CARBON:3.3KOHM,5%,1/8W,AA,TP,1.8X3.2MM		AC21L	2201-000693	C-CERAMIC,DISC:8PF,5%,50V,CH,TP,5X3.5	
FR3	2001-000734	R-CARBON:4.7KOHM,5%,1/8W,AA,TP,1.8X3.2MM		AC21R	2201-000693	C-CERAMIC,DISC:8PF,5%,50V,CH,TP,5X3.5	
AR12	2001-000786	R-CARBON:4.7KOHM,5%,1/8W,AA,TP,1.8X3.2MM		AC328	2202-000780	C-CERAMIC,MLC-AXIAL:100NF,+80-20%,50V,Y5V,3.5X19-	
AR12L	2001-000786	R-CARBON:4.7KOHM,5%,1/8W,AA,TP,1.8X3.2MM		AC329	2202-000780	C-CERAMIC,MLC-AXIAL:100NF,+80-20%,50V,Y5V,3.5X19-	
AR12R	2001-000786	R-CARBON:4.7KOHM,5%,1/8W,AA,TP,1.8X3.2MM		AC335	2202-000780	C-CERAMIC,MLC-AXIAL:100NF,+80-20%,50V,Y5V,3.5X19-	
AR13L	2001-000802	R-CARBON:5.6Kohm,5%,1/8W,AA,TP,1.8x3.2m		EMC1	2202-000780	C-CERAMIC,MLC-AXIAL:100NF,+80-20%,50V,Y5V,3.5X19-	
AR13R	2001-000802	R-CARBON:5.6Kohm,5%,1/8W,AA,TP,1.8x3.2m		EMC2	2202-000780	C-CERAMIC,MLC-AXIAL:100NF,+80-20%,50V,Y5V,3.5X19-	
AR16	2001-000802	R-CARBON:5.6Kohm,5%,1/8W,AA,TP,1.8x3.2m		EMC5	2202-000817	C-CERAMIC,MLC-AXIAL:4.7NF,20%,16V,Y5R,TP,3.5X19-	
AR37	2001-000802	R-CARBON:5.6Kohm,5%,1/8W,AA,TP,1.8x3.2m		EMC6	2202-000817	C-CERAMIC,MLC-AXIAL:4.7NF,20%,16V,Y5R,TP,3.5X19-	
FR4	2001-000802	R-CARBON:5.6Kohm,5%,1/8W,AA,TP,1.8x3.2m		EMC7	2202-000817	C-CERAMIC,MLC-AXIAL:4.7NF,20%,16V,Y5R,TP,3.5X19-	
AR18	2001-000857	R-CARBON:560OHM,5%,1/8W,AA,TP,1.8X3.2MM		EMC8	2202-000817	C-CERAMIC,MLC-AXIAL:4.7NF,20%,16V,Y5R,TP,3.5X19-	
AR28L	2001-000857	R-CARBON:560OHM,5%,1/8W,AA,TP,1.8X3.2MM		EMC9	2202-000817	C-CERAMIC,MLC-AXIAL:4.7NF,20%,16V,Y5R,TP,3.5X19-	
AR28R	2001-000857	R-CARBON:560OHM,5%,1/8W,AA,TP,1.8X3.2MM		AC337	2202-000854	C-CERAMIC,MLC-AXIAL:47NF,30%,50V,Y5R,TP,3.5X1.9-	
AR812	2001-000857	R-CARBON:560OHM,5%,1/8W,AA,TP,1.8X3.2MM		AC338	2202-000854	C-CERAMIC,MLC-AXIAL:47NF,30%,50V,Y5R,TP,3.5X1.9-	
AR8L	2001-000857	R-CARBON:560OHM,5%,1/8W,AA,TP,1.8X3.2MM		EMC3	2202-000854	C-CERAMIC,MLC-AXIAL:47NF,30%,50V,Y5R,TP,3.5X1.9-	
AR8R	2001-000857	R-CARBON:560OHM,5%,1/8W,AA,TP,1.8X3.2MM		EMC4	2202-000854	C-CERAMIC,MLC-AXIAL:47NF,30%,50V,Y5R,TP,3.5X1.9-	
AR9	2001-000857	R-CARBON:560OHM,5%,1/8W,AA,TP,1.8X3.2MM		AC5	2301-000400	C-FILM PEF:1NF,10%,50V,TP,5X7X2.8MM,5MM	
AR39L	2001-000864	R-CARBON:56KOHM,5%,1/8W,AA,TP,1.8X3.2MM		AC5L	2301-000400	C-FILM PEF:1NF,10%,50V,TP,5X7X2.8MM,5MM	
AR39R	2001-000864	R-CARBON:56KOHM,5%,1/8W,AA,TP,1.8X3.2MM		AC5R	2301-000400	C-FILM PEF:1NF,10%,50V,TP,5X7X2.8MM,5MM	
AR41L	2001-000864	R-CARBON:56KOHM,5%,1/8W,AA,TP,1.8X3.2MM		AC10	2303-000312	C-FILM PPF:100nF,5%,63V,TP,7.5x12.5x3.5,5	
AR41R	2001-000864	R-CARBON:56KOHM,5%,1/8W,AA,TP,1.8X3.2MM		AC13	2303-000312	C-FILM PPF:100nF,5%,63V,TP,7.5x12.5x3.5,5	
AR46L	2001-000995	R-CARBON:820OHM,5%,1/8W,AA,TP,1.8X3.2MM		AC15L	2303-000312	C-FILM PPF:100nF,5%,63V,TP,7.5x12.5x3.5,5	
AR46R	2001-000995	R-CARBON:820OHM,5%,1/8W,AA,TP,1.8X3.2MM		AC15R	2303-000312	C-FILM PPF:100nF,5%,63V,TP,7.5x12.5x3.5,5	
AR53	2001-000995	R-CARBON:820OHM,5%,1/8W,AA,TP,1.8X3.2MM		AC24L	2303-000312	C-FILM PPF:100nF,5%,63V,TP,7.5x12.5x3.5,5	
AR23	2001-001000	R-CARBON:82KOHM,5%,1/8W,AA,TP,1.8X3.2MM		AC24R	2303-000312	C-FILM PPF:100nF,5%,63V,TP,7.5x12.5x3.5,5	
AR43	2001-001000	R-CARBON:82KOHM,5%,1/8W,AA,TP,1.8X3.2MM		AC4	2401-000303	C-AL:100F,20%,25V,GPT,6.3x11.5	
AR44	2001-001000	R-CARBON:82KOHM,5%,1/8W,AA,TP,1.8X3.2MM		AC44	2401-000385	C-AL:100F,20%,100V,GPT,6.3x11.5	
AR45	2001-001000	R-CARBON:82KOHM,5%,1/8W,AA,TP,1.8X3.2MM		AC45	2401-000385	C-AL:100F,20%,100V,GPT,6.3x11.5	
AR46	2001-001000	R-CARBON:82KOHM,5%,1/8W,AA,TP,1.8X3.2MM		AC1	2401-000419	C-AL:100F,20%,16V,GP, 4X7.5	
AR42L	2001-001144	R-CARBON(S):4.7KOHM,5%,1/2W,AA,TP,2.4X6.4MM		AC16L	2401-000419	C-AL:100F,20%,16V,GP, 4X7.5	
AR42R	2001-001144	R-CARBON(S):4.7KOHM,5%,1/2W,AA,TP,2.4X6.4MM		AC16R	2401-000419	C-AL:100F,20%,16V,GP, 4X7.5	
AR43L	2001-001144	R-CARBON(S):4.7KOHM,5%,1/2W,AA,TP,2.4X6.4MM		AC1L	2401-000419	C-AL:100F,20%,16V,GP, 4X7.5	
AR43R	2001-001144	R-CARBON(S):4.7KOHM,5%,1/2W,AA,TP,2.4X6.4MM		AC1R	2401-000419	C-AL:100F,20%,16V,GP, 4X7.5	
AR22	2003-000471	R-METAL OXIDE(S):10ohm,5%,2W,AA,TP,4x12mm		AC2	2401-000419	C-AL:100F,20%,16V,GP, 4X7.5	
AR31L	2003-000471	R-METAL OXIDE(S):10ohm,5%,2W,AA,TP,4x12mm		AC2L	2401-000419	C-AL:100F,20%,16V,GP, 4X7.5	
AR31R	2003-000471	R-METAL OXIDE(S):10ohm,5%,2W,AA,TP,4x12mm		AC2R	2401-000419	C-AL:100F,20%,16V,GP, 4X7.5	
AR47L	2003-000471	R-METAL OXIDE(S):10ohm,5%,2W,AA,TP,4x12mm		AC47	2401-000419	C-AL:100F,20%,16V,GP, 4X7.5	
AR47R	2003-000471	R-METAL OXIDE(S):10ohm,5%,2W,AA,TP,4x12mm		AC48	2401-000419	C-AL:100F,20%,16V,GP, 4X7.5	
AR86	2003-000534	R-METAL OXIDE(S):1Kohm,5%,1W,AA,TP,3.3x9mm		AC319	2401-000438	C-AL:100F,20%,25V,GP, 5X11.2MM	
AR52	2003-000800	R-METAL OXIDE(S):820ohm,5%,2W,AA,TP,4x12mm		AC23L	2401-001324	C-AL:470nF,20%,50V,GPBK,3x5,1mm	
AR54	2003-000800	R-METAL OXIDE(S):820ohm,5%,2W,AA,TP,4x12mm		AC23R	2401-001324	C-AL:470nF,20%,50V,GPBK,3x5,1mm	
AR57	2008-000003	R-FUSIBLE:0.22ohm,5%,1/2W,AA,TP,3.5x9.4mm		AC61	2401-001361	C-AL:470F,20%,16V,BP,TP,13x20mm,5m	
AR15	2008-000121	R-FUSIBLE:100ohm,5%,1/4W,AA,TP,2.6x6.7mm		FC1	2401-001538	C-AL:47UF,20%,16V,GP,6.3x11mm,2.5m	
AR24	2008-000121	R-FUSIBLE:100ohm,5%,1/4W,AA,TP,2.6x6.7mm		AC25L	2401-001572	C-AL:47UF,20%,50V,GP, 6.3X11,2.5MM	
AR25L	2008-000121	R-FUSIBLE:100ohm,5%,1/4W,AA,TP,2.6x6.7mm		AC25R	2401-001572	C-AL:47UF,20%,50V,GP, 6.3X11,2.5MM	
AR25R	2008-000121	R-FUSIBLE:100ohm,5%,1/4W,AA,TP,2.6x6.7mm		AC10	2401-001895	C-AL:100UF,20%,16V,GP,6.3x11mm,2.5m	
AR26L	2008-000121	R-FUSIBLE:100ohm,5%,1/4W,AA,TP,2.6x6.7mm		AC11L	2401-001895	C-AL:100UF,20%,16V,GP,6.3x11mm,2.5m	
AR26R	2008-000121	R-FUSIBLE:100ohm,5%,1/4W,AA,TP,2.6x6.7mm		AC11R	2401-001895	C-AL:100UF,20%,16V,GP,6.3x11mm,2.5m	
AR56	2008-000155	R-FUSIBLE:4.7OHM,1/2W	△	AC20L	2401-001895	C-AL:100UF,20%,16V,GP,6.3x11mm,2.5m	
AR311	2008-001105	R-FUSIBLE:5.6OHM,5%,2W,AA,TP,6X16MM	△	AC20R	2401-001895	C-AL:100UF,20%,16V,GP,6.3x11mm,2.5m	
AC325	2201-000161	C-CERAMIC,DISC:10nF,+80-20%,500V,Y5V,TP,13.5x		AC33	2401-001895	C-AL:100UF,20%,16V,GP,6.3x11mm,2.5m	
AC343	2201-000161	C-CERAMIC,DISC:10nF,+80-20%,500V,Y5V,TP,13.5x		AC34	2401-001895	C-AL:100UF,20%,16V,GP,6.3x11mm,2.5m	
AC43	2201-000161	C-CERAMIC,DISC:10nF,+80-20%,500V,Y5V,TP,13.5x		AC317	2401-001975	C-AL:47UF,20%,16V,GP,TP,5X11MM,5	
AC55	2201-000161	C-CERAMIC,DISC:10nF,+80-20%,500V,Y5V,TP,13.5x		AC318	2401-001975	C-AL:47UF,20%,16V,GP,TP,5X11MM,5	
AC56	2201-000161	C-CERAMIC,DISC:10nF,+80-20%,500V,Y5V,TP,13.5x		AC101	2401-001989	C-AL:4.7uF,20%,50V,BP,TP,5x11.5	
AC57	2201-000161	C-CERAMIC,DISC:10nF,+80-20%,500V,Y5V,TP,13.5x		AC301	2401-001989	C-AL:4.7uF,20%,50V,BP,TP,5x11.5	
AC58	2201-000161	C-CERAMIC,DISC:10nF,+80-20%,500V,Y5V,TP,13.5x		AC302	2401-001989	C-AL:4.7uF,20%,50V,BP,TP,5x11.5	
AC334	2201-000163	C-CERAMIC,DISC:10nF,+80-20%,50V,Y5V,TP,7x3,2.5		AC8	2401-002180	C-AL:2.2UF,20%,50V,GP,TP,5X11,5MM	
AC50	2201-000163	C-CERAMIC,DISC:10nF,+80-20%,50V,Y5V,TP,7x3,2.5		AC9L	2401-002180	C-AL:2.2UF,20%,50V,GP,TP,5X11,5MM	
AC51	2201-000163	C-CERAMIC,DISC:10nF,+80-20%,50V,Y5V,TP,7x3,2.5		AC9R	2401-002180	C-AL:2.2UF,20%,50V,GP,TP,5X11,5MM	
AC52	2201-000163	C-CERAMIC,DISC:10nF,+80-20%,50V,Y5V,TP,7x3,2.5		AL16	2701-000178	INDUCTOR AXIAL 33uH,10%,3x7mm	
AC53	2201-000163	C-CERAMIC,DISC:10nF,+80-20%,50V,Y5V,TP,7x3,2.5		AL17	2701-000178	INDUCTOR AXIAL 33uH,10%,3x7mm	
AC12	2201-000366	C-CERAMIC, DISC:220pF,10%500V,Y5P,TP,6x4		AJW1	3811-000389	WIRE-NO SHEATH CU;SPCW,300V,52.4MM,1/0.5MM,-,-	
AC14L	2201-000366	C-CERAMIC, DISC:220pF,10%500V,Y5P,TP,6x4		AJW10	3811-000389	WIRE-NO SHEATH CU;SPCW,300V,52.4MM,1/0.5MM,-,-	
AC14R	2201-000366	C-CERAMIC, DISC:220pF,10%500V,Y5P,TP,6x4		AJW100	3811-000389	WIRE-NO SHEATH CU;SPCW,300V,52.4MM,1/0.5MM,-,-	
AC305	2201-000366	C-CERAMIC, DISC:220pF,10%500V,Y5P,TP,6x4		AJW101	3811-000389	WIRE-NO SHEATH CU;SPCW,300V,52.4MM,1/0.5MM,-,-	
AC7	2201-000366	C-CERAMIC, DISC:220pF,10%500V,Y5P,TP,6x4		AJW102	3811-000389	WIRE-NO SHEATH CU;SPCW,300V,52.4MM,1/0.5MM,-,-	
AC8L	2201-000366	C-CERAMIC, DISC:220pF,10%500V,Y5P,TP,6x4		AJW103	3811-000389	WIRE-NO SHEATH CU;SPCW,300V,52.4MM,1/0.5MM,-,-	
AC8R	2201-000366	C-CERAMIC, DISC:220pF,10%500V,Y5P,TP,6x4		AJW104	3811-000389	WIRE-NO SHEATH CU;SPCW,300V,52.4MM,1/0.5MM,-,-	
AC4L	2201-000368	C-CERAMIC,DISC:220PF,10%,50V,SL,TP,6.5X3.0,5		AJW105	3811-000389	WIRE-NO SHEATH CU;SPCW,300V,52.4MM,1/0.5MM,-,-	
AC4R	2201-000368	C-CERAMIC,DISC:220PF,10%,50V,SL,TP,6.5X3.0,5		AJW106	3811-000389	WIRE-NO SHEATH CU;SPCW,300V,52.4MM,1/0.5MM,-,-	
AC60	2201-000368	C-CERAMIC,DISC:220PF,10%,50V,SL,TP,6.5X3.0,5		AJW107	3811-000389	WIRE-NO SHEATH CU;SPCW,300V,52.4MM,1/0.5MM,-,-	
AC29	2201-000389	C-CERAMIC,DISC:0.022nF,5%,50V,NP0,TP,5x3.5		AJW108	3811-000389	WIRE-NO SHEATH CU;SPCW,300V,52.4MM,1/0.5MM,-,-	
AC6L	2201-000389	C-CERAMIC,DISC:0.022nF,5%,50V,NP0,TP,5x3.5		AJW109	3811-000389	WIRE-NO SHEATH CU;SPCW,300V,52.4MM,1/0.5MM,-,-	

Location no.	Code no.	Description & Specification	Remarks	Location no.	Code no.	Description & Specification	Remarks
UCN2	AH39-20561G	LEAD CONNECTOR-ASSY; -51004,35023,12P,150MM,1007#2		UQ1	0504-000117	TR-DIGITAL_KSR1002,NPN,300MW,10K/10K,TO-92,TP	
UCW3	AH39-20561G	LEAD CONNECTOR-ASSY; -51004,35023,12P,150MM,1007#2		UQ15	0504-000117	TR-DIGITAL_KSR1002,NPN,300MW,10K/10K,TO-92,TP	
UCW1	AH39-20561J	LEAD CONNECTOR-ASSY; -51004,35023,15P,100MM,1007#2		UQ16	0504-000117	TR-DIGITAL_KSR1002,NPN,300MW,10K/10K,TO-92,TP	
UCW1	AH39-20561K	LEAD CONNECTOR-ASSY; -51004,35023,15P,200MM,1007#2		UQ17	0504-000117	TR-DIGITAL_KSR1002,NPN,300MW,10K/10K,TO-92,TP	
FEP	AH39-50001H	LEAD-FASTEN-RING,1007#24,100MM,BLK		UQ18	0504-000117	TR-DIGITAL_KSR1002,NPN,300MW,10K/10K,TO-92,TP	
RIEYE	AH40-10025E	TUNER-FM,FTA4-460H,4G,75OHM		UQ19	0504-000117	TR-DIGITAL_KSR1002,NPN,300MW,10K/10K,TO-92,TP	
FREE	AH69-60001J	MODULE-REMOCON,GP1U271R,38KHZ, _MESH, -	△	UQ4	0504-000117	TR-DIGITAL_KSR1002,NPN,300MW,10K/10K,TO-92,TP	
AD10	AH61-20524A	HOLDER-FLT; ABS, -,SA-880A		UQ5	0504-000117	TR-DIGITAL_KSR1002,NPN,300MW,10K/10K,TO-92,TP	
AD100	0401-000101	DIODE-SWITCHING;1N4148,100V,200mA,DO-35,TP		AQ22	0504-000118	TR-DIGITAL_KSR1003,NPN,300MW,22K/22K,TO-92,TP	
AD101	0401-000101	DIODE-SWITCHING;1N4148,100V,200mA,DO-35,TP		AQ25	0504-000118	TR-DIGITAL_KSR1003,NPN,300MW,22K/22K,TO-92,TP	
AD103	0401-000101	DIODE-SWITCHING;1N4148,100V,200mA,DO-35,TP		AQ26	0504-000118	TR-DIGITAL_KSR1003,NPN,300MW,22K/22K,TO-92,TP	
AD11	0401-000101	DIODE-SWITCHING;1N4148,100V,200mA,DO-35,TP		AQ28	0504-000118	TR-DIGITAL_KSR1003,NPN,300MW,22K/22K,TO-92,TP	
AD12	0401-000101	DIODE-SWITCHING;1N4148,100V,200mA,DO-35,TP		AQ32	0504-000118	TR-DIGITAL_KSR1003,NPN,300MW,22K/22K,TO-92,TP	
AD13	0401-000101	DIODE-SWITCHING;1N4148,100V,200mA,DO-35,TP		AQ35	0504-000118	TR-DIGITAL_KSR1003,NPN,300MW,22K/22K,TO-92,TP	
AD14	0401-000101	DIODE-SWITCHING;1N4148,100V,200mA,DO-35,TP		AQ37	0504-000118	TR-DIGITAL_KSR1003,NPN,300MW,22K/22K,TO-92,TP	
AD15	0401-000101	DIODE-SWITCHING;1N4148,100V,200mA,DO-35,TP		AQ21	0504-001003	TR-DIGITAL_KSR2003,PNP,300MW,22K/22K,TO-92,TP	
AD18	0401-000101	DIODE-SWITCHING;1N4148,100V,200mA,DO-35,TP		AQ27	0504-001003	TR-DIGITAL_KSR2003,PNP,300MW,22K/22K,TO-92,TP	
AD22	0401-000101	DIODE-SWITCHING;1N4148,100V,200mA,DO-35,TP		AQ30	0504-001003	TR-DIGITAL_KSR2003,PNP,300MW,22K/22K,TO-92,TP	
AD801	0401-000101	DIODE-SWITCHING;1N4148,100V,200mA,DO-35,TP		UQ11	0504-001003	TR-DIGITAL_KSR2003,PNP,300MW,22K/22K,TO-92,TP	
AD802	0401-000101	DIODE-SWITCHING;1N4148,100V,200mA,DO-35,TP		UQ12	0504-001003	TR-DIGITAL_KSR2003,PNP,300MW,22K/22K,TO-92,TP	
AD803	0401-000101	DIODE-SWITCHING;1N4148,100V,200mA,DO-35,TP		UQ13	0504-001003	TR-DIGITAL_KSR2003,PNP,300MW,22K/22K,TO-92,TP	
AD804	0401-000101	DIODE-SWITCHING;1N4148,100V,200mA,DO-35,TP		UQ14	0504-001003	TR-DIGITAL_KSR2003,PNP,300MW,22K/22K,TO-92,TP	
AD805	0401-000101	DIODE-SWITCHING;1N4148,100V,200mA,DO-35,TP		ULD7	0601-001232	LED,TR,LED,1PCS,130-260°	
AD806	0401-000101	DIODE-SWITCHING;1N4148,100V,200mA,DO-35,TP		ULD8	0601-001232	LED,TR,LED,1PCS,130-260°	
AD9	0401-000101	DIODE-SWITCHING;1N4148,100V,200mA,DO-35,TP		ULD1	0601-001238	LED,ROUND,RED,3.1mm,697nm	
TD1	0401-000101	DIODE-SWITCHING;1N4148,100V,200mA,DO-35,TP		ULD2	0601-001238	LED,ROUND,RED,3.1mm,697nm	
TD2	0401-000101	DIODE-SWITCHING;1N4148,100V,200mA,DO-35,TP		ULD3	0601-001238	LED,ROUND,RED,3.1mm,697nm	
TD3	0401-000101	DIODE-SWITCHING;1N4148,100V,200mA,DO-35,TP		ULD4	0601-001238	LED,ROUND,RED,3.1mm,697nm	
TD4	0401-000101	DIODE-SWITCHING;1N4148,100V,200mA,DO-35,TP		ULD5	0601-001238	LED,ROUND,RED,3.1mm,697nm	
TD5	0401-000101	DIODE-SWITCHING;1N4148,100V,200mA,DO-35,TP		AR804	2001-000003	R-CARBON;330ohm,5%,1/8W,AA,TP,1.8x3.2mm	
TD6	0401-000101	DIODE-SWITCHING;1N4148,100V,200mA,DO-35,TP		TR42	2001-000003	R-CARBON;330ohm,5%,1/8W,AA,TP,1.8x3.2mm	
TD7	0401-000101	DIODE-SWITCHING;1N4148,100V,200mA,DO-35,TP		UR1	2001-000003	R-CARBON;330ohm,5%,1/8W,AA,TP,1.8x3.2mm	
TD8	0401-000101	DIODE-SWITCHING;1N4148,100V,200mA,DO-35,TP		TR9	2001-000005	R-CARBON;330ohm,5%,1/8W,AA,TP,1.8x3.2mm	
UD1	0401-000101	DIODE-SWITCHING;1N4148,100V,200mA,DO-35,TP		AR49	2001-000008	R-CARBON;15KOHM,5%,1/8W,AA,TP,1.8X3.2MM	
UD10	0401-000101	DIODE-SWITCHING;1N4148,100V,200mA,DO-35,TP		TR43	2001-000008	R-CARBON;15KOHM,5%,1/8W,AA,TP,1.8X3.2MM	
UD11	0401-000101	DIODE-SWITCHING;1N4148,100V,200mA,DO-35,TP		UR70	2001-000008	R-CARBON;15KOHM,5%,1/8W,AA,TP,1.8X3.2MM	
UD12	0401-000101	DIODE-SWITCHING;1N4148,100V,200mA,DO-35,TP		UR94	2001-000008	R-CARBON;15KOHM,5%,1/8W,AA,TP,1.8X3.2MM	
UD13	0401-000101	DIODE-SWITCHING;1N4148,100V,200mA,DO-35,TP		AR57	2001-000010	R-CARBON;68KOHM,5%,1/8W,AA,TP,1.8X3.2MM	
UD14	0401-000101	DIODE-SWITCHING;1N4148,100V,200mA,DO-35,TP		UR54	2001-000010	R-CARBON;68KOHM,5%,1/8W,AA,TP,1.8X3.2MM	
UD15	0401-000101	DIODE-SWITCHING;1N4148,100V,200mA,DO-35,TP		UR11	2001-000020	R-CARBON(S);22OHM,5%,1/2W,AA,TP,2.4X6.4MM	
UD16	0401-000101	DIODE-SWITCHING;1N4148,100V,200mA,DO-35,TP		UR12	2001-000020	R-CARBON(S);22OHM,5%,1/2W,AA,TP,2.4X6.4MM	
UD17	0401-000101	DIODE-SWITCHING;1N4148,100V,200mA,DO-35,TP		UR44	2001-000042	R-CARBON;1KOHM,5%,1/4W,AA,TP,2.4X6.4MM	
UD18	0401-000101	DIODE-SWITCHING;1N4148,100V,200mA,DO-35,TP		UR45	2001-000042	R-CARBON;1KOHM,5%,1/4W,AA,TP,2.4X6.4MM	
UD2	0401-000101	DIODE-SWITCHING;1N4148,100V,200mA,DO-35,TP		UR81	2001-000042	R-CARBON;1KOHM,5%,1/4W,AA,TP,2.4X6.4MM	
UD3	0401-000101	DIODE-SWITCHING;1N4148,100V,200mA,DO-35,TP		UR9	2001-000042	R-CARBON;1KOHM,5%,1/4W,AA,TP,2.4X6.4MM	
UD4	0401-000101	DIODE-SWITCHING;1N4148,100V,200mA,DO-35,TP		AR70	2001-000044	R-CARBON;1.2Kohm,5%,1/4W,AA,TP,2.4x6.4m	
UD8	0401-000101	DIODE-SWITCHING;1N4148,100V,200mA,DO-35,TP		TR36	2001-000057	R-CARBON;5.1Kohm,5%,1/8W,AA,TP,1.8x3.2m	
UD9	0401-000101	DIODE-SWITCHING;1N4148,100V,200mA,DO-35,TP		TR37	2001-000057	R-CARBON;5.1Kohm,5%,1/8W,AA,TP,1.8x3.2m	
XD1	0401-000101	DIODE-SWITCHING;1N4148,100V,200mA,DO-35,TP		UR82	2001-000109	R-CARBON(S);470OHM,5%,1/2W,AA,TP,2.4X6.4MM	
XD9	0401-000101	DIODE-SWITCHING;1N4148,100V,200mA,DO-35,TP		TR23	2001-000117	R-CARBON(S);68OHM,5%,1/2W,AA,TP,2.4X6.4MM	
XD2	0401-000101	DIODE-SWITCHING;1N4148,100V,200mA,DO-35,TP		UR10	2001-000221	R-CARBON;1.2KOHM,5%,1/8W,AA,TP,1.8X3.2MM	
AD102	0402-000127	DIODE-RECTIFIER;1N4002,100V,1A,DO-41,TP		UR14	2001-000221	R-CARBON;1.2KOHM,5%,1/8W,AA,TP,1.8X3.2MM	
AD19	0402-000127	DIODE-RECTIFIER;1N4002,100V,1A,DO-41,TP		UR38	2001-000221	R-CARBON;1.2KOHM,5%,1/8W,AA,TP,1.8X3.2MM	
AD20	0402-000127	DIODE-RECTIFIER;1N4002,100V,1A,DO-41,TP		TR13	2001-000241	R-CARBON;1.5KOHM,5%,1/8W,AA,TP,1.8X3.2MM	
AD21	0402-000127	DIODE-RECTIFIER;1N4002,100V,1A,DO-41,TP		UR19	2001-000258	R-CARBON;1.8KOHM,5%,1/8W,AA,TP,1.8X3.2MM	
AD23	0402-000127	DIODE-RECTIFIER;1N4002,100V,1A,DO-41,TP		UR21	2001-000258	R-CARBON;1.8KOHM,5%,1/8W,AA,TP,1.8X3.2MM	
AD24	0402-000127	DIODE-RECTIFIER;1N4002,100V,1A,DO-41,TP		UR79	2001-000258	R-CARBON;1.8KOHM,5%,1/8W,AA,TP,1.8X3.2MM	
AD5	0402-000127	DIODE-RECTIFIER;1N4002,100V,1A,DO-41,TP		AR209	2001-000273	R-CARBON;100KOHM,5%,1/8W,AA,TP,1.8X3.2MM	
UD6	0402-000127	DIODE-RECTIFIER;1N4002,100V,1A,DO-41,TP		AR72	2001-000273	R-CARBON;100KOHM,5%,1/8W,AA,TP,1.8X3.2MM	
UD7	0402-000127	DIODE-RECTIFIER;1N4002,100V,1A,DO-41,TP		AR78	2001-000273	R-CARBON;100KOHM,5%,1/8W,AA,TP,1.8X3.2MM	
AZD1	0403-000352	DIODE-ZENER,UZ4.7BM,4.7V,4.4-5.0V,500mW,DO		TR2	2001-000273	R-CARBON;100KOHM,5%,1/8W,AA,TP,1.8X3.2MM	
AZD2	0403-000352	DIODE-ZENER,UZ4.7BM,4.7V,4.4-5.0V,500mW,DO		TR38	2001-000273	R-CARBON;100KOHM,5%,1/8W,AA,TP,1.8X3.2MM	
AZD4	0403-000352	DIODE-ZENER,UZ4.7BM,4.7V,4.4-5.0V,500mW,DO		TR39	2001-000273	R-CARBON;100KOHM,5%,1/8W,AA,TP,1.8X3.2MM	
TZD2	0403-000354	DIODE-ZENER,UZ5.1B,5.1V,4.8-5.4V,500mW,DO		UR3	2001-000273	R-CARBON;100KOHM,5%,1/8W,AA,TP,1.8X3.2MM	
UZD1	0403-000354	DIODE-ZENER,UZ5.1B,5.1V,4.8-5.4V,500mW,DO		UR351	2001-000273	R-CARBON;100KOHM,5%,1/8W,AA,TP,1.8X3.2MM	
TZD1	0403-000372	DIODE-ZENER,UZ9.1BM,9.1V,8.5-9.6V,500mW		UR352	2001-000273	R-CARBON;100KOHM,5%,1/8W,AA,TP,1.8X3.2MM	
AZD3	0403-000379	DIODE-ZENER,UZP12B,12V,11.4-12.6V,1W,DO-41		UR353	2001-000273	R-CARBON;100KOHM,5%,1/8W,AA,TP,1.8X3.2MM	
AQ36	0501-000010	TR-SMALL SIGNAL,KSC1008,NPN,800mW,TO-92,TP,120		UR354	2001-000273	R-CARBON;100KOHM,5%,1/8W,AA,TP,1.8X3.2MM	
AQ38	0501-000010	TR-SMALL SIGNAL,KSC1008,NPN,800mW,TO-92,TP,120		UR8	2001-000273	R-CARBON;100KOHM,5%,1/8W,AA,TP,1.8X3.2MM	
AQ41	0501-000010	TR-SMALL SIGNAL,KSC1008,NPN,800mW,TO-92,TP,120		AR211	2001-000281	R-CARBON;100OHM,5%,1/8W,AA,TP,1.8X3.2MM	
AQ42	0501-000010	TR-SMALL SIGNAL,KSC1008,NPN,800mW,TO-92,TP,120		TR12	2001-000281	R-CARBON;100OHM,5%,1/8W,AA,TP,1.8X3.2MM	
AQ43	0501-000010	TR-SMALL SIGNAL,KSC1008,NPN,800mW,TO-92,TP,120		TR54	2001-000281	R-CARBON;100OHM,5%,1/8W,AA,TP,1.8X3.2MM	
TQ4	0501-000294	TR-SMALL SIGNAL,KSAT08-Y,NPN,800mW,TO-92,TP,12		UR28	2001-000281	R-CARBON;100OHM,5%,1/8W,AA,TP,1.8X3.2MM	
AQ13	0501-000303	TR-SMALL SIGNAL,KSAT733,PNP,250mW,TO-92,TP,120		UR29	2001-000281	R-CARBON;100OHM,5%,1/8W,AA,TP,1.8X3.2MM	
AQ14	0501-000303	TR-SMALL SIGNAL,KSAT733,PNP,250mW,TO-92,TP,120		UR30	2001-000281	R-CARBON;100OHM,5%,1/8W,AA,TP,1.8X3.2MM	
AQ15	0501-000303	TR-SMALL SIGNAL,KSAT733,PNP,250mW,TO-92,TP,120		UR31	2001-000281	R-CARBON;100OHM,5%,1/8W,AA,TP,1.8X3.2MM	
AQ17	0501-000303	TR-SMALL SIGNAL,KSAT733,PNP,250mW,TO-92,TP,120		UR32	2001-000281	R-CARBON;100OHM,5%,1/8W,AA,TP,1.8X3.2MM	
AQ20	0501-000303	TR-SMALL SIGNAL,KSAT733,PNP,250mW,TO-92,TP,120		UR33	2001-000281	R-CARBON;100OHM,5%,1/8W,AA,TP,1.8X3.2MM	
AQ31	0501-000303	TR-SMALL SIGNAL,KSAT733,PNP,250mW,TO-92,TP,120		UR41	2001-000281	R-CARBON;100OHM,5%,1/8W,AA,TP,1.8X3.2MM	
TQ2	0501-000382	TR-SMALL SIGNAL,KSC838-O,NPN,250mW,TO-92, -70		UR43	2001-000281	R-CARBON;100OHM,5%,1/8W,AA,TP,1.8X3.2MM	
TQ3	0501-000382	TR-SMALL SIGNAL,KSC838-O,NPN,250mW,TO-92, -70		UR52	2001-000281	R-CARBON;100OHM,5%,1/8W,AA,TP,1.8X3.2MM	
AQ16	0501-000398	TR-SMALL SIGNAL,KSC945,NPN,250mW,TO-92,TP,120		UR71	2001-000281	R-CARBON;100OHM,5%,1/8W,AA,TP,1.8X3.2MM	
AQ18	0501-000398	TR-SMALL SIGNAL,KSC945,NPN,250mW,TO-92,TP,120		UR88	2001-000281	R-CARBON;100OHM,5%,1/8W,AA,TP,1.8X3.2MM	
AQ19	0501-000398	TR-SMALL SIGNAL,KSC945,NPN,250mW,TO-92,TP,120		UR91	2001-000281	R-CARBON;100OHM,5%,1/8W,AA,TP,1.8X3.2MM	
AQ23	0501-000398	TR-SMALL SIGNAL,KSC945,NPN,250mW,TO-92,TP,120		XR4	2001-000281	R-CARBON;100OHM,5%,1/8W,AA,TP,1.8X3.2MM	
AQ24	0501-000398	TR-SMALL SIGNAL,KSC945,NPN,250mW,TO-92,TP,120		AR165	2001-000290	R-CARBON;10KOHM,5%,1/8W,AA,TP,1.8X3.2MM	
AQ29	0501-000398	TR-SMALL SIGNAL,KSC945,NPN,250mW,TO-92,TP,120		AR168	2001-000290	R-CARBON;10KOHM,5%,1/8W,AA,TP,1.8X3.2MM	
AQ33	0501-000398	TR-SMALL SIGNAL,KSC945,NPN,250mW,TO-92,TP,120		AR200	2001-000290	R-CARBON;10KOHM,5%,1/8W,AA,TP,1.8X3.2MM	
AQ34	050						

Location no.	Code no.	Description & Specification	Remarks
AR59	2001-000290	R-CARBON;10KOHM,5%,1/8W,AA,TP,1.8X3.2MM	
NR1	2001-000290	R-CARBON;10KOHM,5%,1/8W,AA,TP,1.8X3.2MM	
TR10	2001-000290	R-CARBON;10KOHM,5%,1/8W,AA,TP,1.8X3.2MM	
TR26	2001-000290	R-CARBON;10KOHM,5%,1/8W,AA,TP,1.8X3.2MM	
TR34	2001-000290	R-CARBON;10KOHM,5%,1/8W,AA,TP,1.8X3.2MM	
TR35	2001-000290	R-CARBON;10KOHM,5%,1/8W,AA,TP,1.8X3.2MM	
UR15	2001-000290	R-CARBON;10KOHM,5%,1/8W,AA,TP,1.8X3.2MM	
UR16	2001-000290	R-CARBON;10KOHM,5%,1/8W,AA,TP,1.8X3.2MM	
UR17	2001-000290	R-CARBON;10KOHM,5%,1/8W,AA,TP,1.8X3.2MM	
UR18	2001-000290	R-CARBON;10KOHM,5%,1/8W,AA,TP,1.8X3.2MM	
UR2	2001-000290	R-CARBON;10KOHM,5%,1/8W,AA,TP,1.8X3.2MM	
UR61	2001-000290	R-CARBON;10KOHM,5%,1/8W,AA,TP,1.8X3.2MM	
UR7	2001-000290	R-CARBON;10KOHM,5%,1/8W,AA,TP,1.8X3.2MM	
AR802	2001-000302	R-CARBON;10OHM,5%,1/8W,AA,TP,1.8X3.2MM	
AR803	2001-000302	R-CARBON;10OHM,5%,1/8W,AA,TP,1.8X3.2MM	
TR27	2001-000302	R-CARBON;10OHM,5%,1/8W,AA,TP,1.8X3.2MM	
TR40	2001-000319	R-CARBON;120KOHM,5%,1/8W,AA,TP,1.8X3.2MM	
TR41	2001-000319	R-CARBON;120KOHM,5%,1/8W,AA,TP,1.8X3.2MM	
AR73	2001-000331	R-CARBON;120KOHM,5%,1/8W,AA,TP,1.8X3.2MM	
TR11	2001-000331	R-CARBON;120KOHM,5%,1/8W,AA,TP,1.8X3.2MM	
UR39	2001-000362	R-CARBON;150OHM,5%,1/8W,AA,TP,1.8X3.2MM	
TR15	2001-000411	R-CARBON;18KOHM,5%,1/8W,AA,TP,1.8X3.2MM	
AR46	2001-000429	R-CARBON;1KOHM,5%,1/8W,AA,TP,1.8X3.2MM	
TR51	2001-000429	R-CARBON;1KOHM,5%,1/8W,AA,TP,1.8X3.2MM	
TR52	2001-000429	R-CARBON;1KOHM,5%,1/8W,AA,TP,1.8X3.2MM	
TR53	2001-000429	R-CARBON;1KOHM,5%,1/8W,AA,TP,1.8X3.2MM	
TR7	2001-000429	R-CARBON;1KOHM,5%,1/8W,AA,TP,1.8X3.2MM	
UR13	2001-000429	R-CARBON;1KOHM,5%,1/8W,AA,TP,1.8X3.2MM	
UR4	2001-000429	R-CARBON;1KOHM,5%,1/8W,AA,TP,1.8X3.2MM	
UR42	2001-000429	R-CARBON;1KOHM,5%,1/8W,AA,TP,1.8X3.2MM	
UR51	2001-000429	R-CARBON;1KOHM,5%,1/8W,AA,TP,1.8X3.2MM	
UR62	2001-000429	R-CARBON;1KOHM,5%,1/8W,AA,TP,1.8X3.2MM	
UR63	2001-000429	R-CARBON;1KOHM,5%,1/8W,AA,TP,1.8X3.2MM	
UR64	2001-000429	R-CARBON;1KOHM,5%,1/8W,AA,TP,1.8X3.2MM	
UR65	2001-000429	R-CARBON;1KOHM,5%,1/8W,AA,TP,1.8X3.2MM	
UR72	2001-000429	R-CARBON;1KOHM,5%,1/8W,AA,TP,1.8X3.2MM	
UR73	2001-000429	R-CARBON;1KOHM,5%,1/8W,AA,TP,1.8X3.2MM	
UR75	2001-000429	R-CARBON;1KOHM,5%,1/8W,AA,TP,1.8X3.2MM	
UR86	2001-000429	R-CARBON;1KOHM,5%,1/8W,AA,TP,1.8X3.2MM	
UR87	2001-000429	R-CARBON;1KOHM,5%,1/8W,AA,TP,1.8X3.2MM	
UR92	2001-000429	R-CARBON;1KOHM,5%,1/8W,AA,TP,1.8X3.2MM	
AR40	2001-000449	R-CARBON;2.2KOHM,5%,1/8W,AA,TP,1.8X3.2MM	
AR64	2001-000449	R-CARBON;2.2KOHM,5%,1/8W,AA,TP,1.8X3.2MM	
TR28	2001-000449	R-CARBON;2.2KOHM,5%,1/8W,AA,TP,1.8X3.2MM	
TR3	2001-000449	R-CARBON;2.2KOHM,5%,1/8W,AA,TP,1.8X3.2MM	
TR30	2001-000449	R-CARBON;2.2KOHM,5%,1/8W,AA,TP,1.8X3.2MM	
TR32	2001-000449	R-CARBON;2.2KOHM,5%,1/8W,AA,TP,1.8X3.2MM	
UR20	2001-000449	R-CARBON;2.2KOHM,5%,1/8W,AA,TP,1.8X3.2MM	
UR22	2001-000449	R-CARBON;2.2KOHM,5%,1/8W,AA,TP,1.8X3.2MM	
UR60	2001-000449	R-CARBON;2.2KOHM,5%,1/8W,AA,TP,1.8X3.2MM	
UR78	2001-000449	R-CARBON;2.2KOHM,5%,1/8W,AA,TP,1.8X3.2MM	
AR206	2001-000472	R-CARBON;2.7KOHM,5%,1/8W,AA,TP,1.8X3.2MM	
AR67	2001-000472	R-CARBON;2.7KOHM,5%,1/8W,AA,TP,1.8X3.2MM	
TR8	2001-000472	R-CARBON;2.7KOHM,5%,1/8W,AA,TP,1.8X3.2MM	
UR23	2001-000472	R-CARBON;2.7KOHM,5%,1/8W,AA,TP,1.8X3.2MM	
UR35	2001-000472	R-CARBON;2.7KOHM,5%,1/8W,AA,TP,1.8X3.2MM	
UR80	2001-000472	R-CARBON;2.7KOHM,5%,1/8W,AA,TP,1.8X3.2MM	
AR43	2001-000508	R-CARBON;220KOHM,5%,1/8W,AA,TP,1.8X3.2MM	
AR205	2001-000515	R-CARBON;220OHM,5%,1/8W,AA,TP,1.8X3.2MM	
TR6	2001-000515	R-CARBON;220OHM,5%,1/8W,AA,TP,1.8X3.2MM	
UR36	2001-000515	R-CARBON;220OHM,5%,1/8W,AA,TP,1.8X3.2MM	
UR37	2001-000515	R-CARBON;220OHM,5%,1/8W,AA,TP,1.8X3.2MM	
UR58	2001-000515	R-CARBON;220OHM,5%,1/8W,AA,TP,1.8X3.2MM	
AR210	2001-000522	R-CARBON;220OHM,5%,1/8W,AA,TP,1.8X3.2MM	
AR51	2001-000522	R-CARBON;220OHM,5%,1/8W,AA,TP,1.8X3.2MM	
AR55	2001-000522	R-CARBON;220OHM,5%,1/8W,AA,TP,1.8X3.2MM	
AR56	2001-000522	R-CARBON;220OHM,5%,1/8W,AA,TP,1.8X3.2MM	
AR60	2001-000522	R-CARBON;220OHM,5%,1/8W,AA,TP,1.8X3.2MM	
UR46	2001-000522	R-CARBON;220OHM,5%,1/8W,AA,TP,1.8X3.2MM	
AR202	2001-000552	R-CARBON;270OHM,5%,1/4W,AA,TP,2.4X6.4MM	
AR76	2001-000591	R-CARBON;3.3KOHM,5%,1/8W,AA,TP,1.8X3.2MM	
AR83	2001-000591	R-CARBON;3.3KOHM,5%,1/8W,AA,TP,1.8X3.2MM	
AR84	2001-000591	R-CARBON;3.3KOHM,5%,1/8W,AA,TP,1.8X3.2MM	
TR16	2001-000591	R-CARBON;3.3KOHM,5%,1/8W,AA,TP,1.8X3.2MM	
TR17	2001-000591	R-CARBON;3.3KOHM,5%,1/8W,AA,TP,1.8X3.2MM	
TR20	2001-000591	R-CARBON;3.3KOHM,5%,1/8W,AA,TP,1.8X3.2MM	
TR21	2001-000591	R-CARBON;3.3KOHM,5%,1/8W,AA,TP,1.8X3.2MM	
TR5	2001-000591	R-CARBON;3.3KOHM,5%,1/8W,AA,TP,1.8X3.2MM	
UR67	2001-000591	R-CARBON;3.3KOHM,5%,1/8W,AA,TP,1.8X3.2MM	
UR68	2001-000591	R-CARBON;3.3KOHM,5%,1/8W,AA,TP,1.8X3.2MM	
AR58	2001-000613	R-CARBON;3.9KOHM,5%,1/8W,AA,TP,1.8X3.2MM	
TR18	2001-000613	R-CARBON;3.9KOHM,5%,1/8W,AA,TP,1.8X3.2MM	
AR203	2001-000660	R-CARBON;33KOHM,5%,1/8W,AA,TP,1.8X3.2MM	
AR250	2001-000660	R-CARBON;33KOHM,5%,1/8W,AA,TP,1.8X3.2MM	
AR77	2001-000660	R-CARBON;33KOHM,5%,1/8W,AA,TP,1.8X3.2MM	
AR71	2001-000702	R-CARBON;39KOHM,5%,1/8W,AA,TP,1.8X3.2MM	
UR27	2001-000702	R-CARBON;39KOHM,5%,1/8W,AA,TP,1.8X3.2MM	
UR6	2001-000702	R-CARBON;39KOHM,5%,1/8W,AA,TP,1.8X3.2MM	
AR41	2001-000734	R-CARBON;4.7KOHM,5%,1/8W,AA,TP,1.8X3.2MM	
AR48	2001-000734	R-CARBON;4.7KOHM,5%,1/8W,AA,TP,1.8X3.2MM	
AR50	2001-000734	R-CARBON;4.7KOHM,5%,1/8W,AA,TP,1.8X3.2MM	
AR62	2001-000734	R-CARBON;4.7KOHM,5%,1/8W,AA,TP,1.8X3.2MM	
TR1	2001-000734	R-CARBON;4.7KOHM,5%,1/8W,AA,TP,1.8X3.2MM	

Location no.	Code no.	Description & Specification	Remarks
TR24	2001-000734	R-CARBON;4.7KOHM,5%,1/8W,AA,TP,1.8X3.2MM	
TR31	2001-000734	R-CARBON;4.7KOHM,5%,1/8W,AA,TP,1.8X3.2MM	
UR24	2001-000734	R-CARBON;4.7KOHM,5%,1/8W,AA,TP,1.8X3.2MM	
UR34	2001-000734	R-CARBON;4.7KOHM,5%,1/8W,AA,TP,1.8X3.2MM	
UR47	2001-000734	R-CARBON;4.7KOHM,5%,1/8W,AA,TP,1.8X3.2MM	
UR48	2001-000734	R-CARBON;4.7KOHM,5%,1/8W,AA,TP,1.8X3.2MM	
UR50	2001-000734	R-CARBON;4.7KOHM,5%,1/8W,AA,TP,1.8X3.2MM	
UR55	2001-000734	R-CARBON;4.7KOHM,5%,1/8W,AA,TP,1.8X3.2MM	
UR56	2001-000734	R-CARBON;4.7KOHM,5%,1/8W,AA,TP,1.8X3.2MM	
UR57	2001-000734	R-CARBON;4.7KOHM,5%,1/8W,AA,TP,1.8X3.2MM	
UR59	2001-000734	R-CARBON;4.7KOHM,5%,1/8W,AA,TP,1.8X3.2MM	
UR66	2001-000734	R-CARBON;4.7KOHM,5%,1/8W,AA,TP,1.8X3.2MM	
UR69	2001-000734	R-CARBON;4.7KOHM,5%,1/8W,AA,TP,1.8X3.2MM	
UR76	2001-000734	R-CARBON;4.7KOHM,5%,1/8W,AA,TP,1.8X3.2MM	
AR75	2001-000773	R-CARBON;470KOHM,5%,1/8W,AA,TP,1.8X3.2MM	
AR63	2001-000780	R-CARBON;470OHM,5%,1/8W,AA,TP,1.8X3.2MM	
TR29	2001-000780	R-CARBON;470OHM,5%,1/8W,AA,TP,1.8X3.2MM	
UR85	2001-000780	R-CARBON;470OHM,5%,1/8W,AA,TP,1.8X3.2MM	
UR93	2001-000780	R-CARBON;470OHM,5%,1/8W,AA,TP,1.8X3.2MM	
AR54	2001-000786	R-CARBON;470OHM,5%,1/8W,AA,TP,1.8X3.2MM	
AR74	2001-000786	R-CARBON;470OHM,5%,1/8W,AA,TP,1.8X3.2MM	
UR74	2001-000786	R-CARBON;470OHM,5%,1/8W,AA,TP,1.8X3.2MM	
UR89	2001-000786	R-CARBON;470OHM,5%,1/8W,AA,TP,1.8X3.2MM	
UR90	2001-000786	R-CARBON;470OHM,5%,1/8W,AA,TP,1.8X3.2MM	
UR96	2001-000786	R-CARBON;470OHM,5%,1/8W,AA,TP,1.8X3.2MM	
TR25	2001-000802	R-CARBON;5.6Kohm,5%,1/8W,AA,TP,1.8X3.2m	
TR55	2001-000857	R-CARBON;560OHM,5%,1/8W,AA,TP,1.8X3.2MM	
AR61	2001-000864	R-CARBON;56KOHM,5%,1/8W,AA,TP,1.8X3.2MM	
AR80	2001-000864	R-CARBON;56KOHM,5%,1/8W,AA,TP,1.8X3.2MM	
UR26	2001-000864	R-CARBON;56KOHM,5%,1/8W,AA,TP,1.8X3.2MM	
UR5	2001-000864	R-CARBON;56KOHM,5%,1/8W,AA,TP,1.8X3.2MM	
UR25	2001-000890	R-CARBON;6.8KOHM,5%,1/8W,AA,TP,1.8X3.2MM	
UR49	2001-000890	R-CARBON;6.8KOHM,5%,1/8W,AA,TP,1.8X3.2MM	
UR77	2001-000890	R-CARBON;6.8KOHM,5%,1/8W,AA,TP,1.8X3.2MM	
UR83	2001-000890	R-CARBON;6.8KOHM,5%,1/8W,AA,TP,1.8X3.2MM	
UR84	2001-000890	R-CARBON;6.8KOHM,5%,1/8W,AA,TP,1.8X3.2MM	
AR801	2001-000969	R-CARBON;75OHM,5%,1/8W,AA,TP,1.8X3.2MM	
AR204	2001-000977	R-CARBON;8.2KOHM,5%,1/8W,AA,TP,1.8X3.2MM	
AR47	2001-000977	R-CARBON;8.2KOHM,5%,1/8W,AA,TP,1.8X3.2MM	
AR85	2001-000977	R-CARBON;8.2KOHM,5%,1/8W,AA,TP,1.8X3.2MM	
TR14	2001-000977	R-CARBON;8.2KOHM,5%,1/8W,AA,TP,1.8X3.2MM	
TR33	2001-000977	R-CARBON;8.2KOHM,5%,1/8W,AA,TP,1.8X3.2MM	
TR22	2001-001138	R-CARBON(S);390ohm,5%,1/2W,AA,TP,2.4X6.4mm	
AR66	2003-000008	R-METAL OXIDE(S);100ohm,5%,1W,AA,TP,3.3X9mm	
AR69	2003-000603	R-METAL OXIDE(S);270ohm,5%,1W,AA,TP,3.3X9mm	
TSVR1	2103-000171	VR-SEMI;10kOhm,30%,1/10W,TP	
TC35	2201-000146	C-CERAMIC,DISC;0.1nF,5%,50V,SL,TP,5x3.5,5	
TC37	2201-000146	C-CERAMIC,DISC;0.1nF,5%,50V,SL,TP,5x3.5,5	
TC6	2201-000163	C-CERAMIC,DISC;10nF,+80-20%,50V,YSV,TP,7x3.2,5	
TC29	2201-000247	C-CERAMIC,DISC;0.015nF,5%,50V,NP0,TP,5x3.5,5	
TC51	2201-000247	C-CERAMIC,DISC;0.015nF,5%,50V,NP0,TP,5x3.5,5	
TC42	2201-000260	C-CERAMIC,DISC;180pF,10%,50V,SL,TP,4.2,5,TP	
TC2	2201-000273	C-CERAMIC,DISC;0.018nF,5%,50V,NP0,TP,5x3.5,5	
AC803	2201-000368	C-CERAMIC,DISC;220PF,20%,50V,SL,TP,6.3X3.0,5	
TC4	2201-000381	C-CERAMIC,DISC;22NF,20%,50V,YSV,8.0x4.0mm,5mm,TP	
TC7	2201-000381	C-CERAMIC,DISC;22NF,20%,50V,YSV,8.0x4.0mm,5mm,TP	
TC8	2201-000381	C-CERAMIC,DISC;22NF,20%,50V,YSV,8.0x4.0mm,5mm,TP	
TC28	2201-000423	C-CERAMIC,DISC;0.027nF,5%,50V,NP0,TP,5x3.5,5	
UR17	2201-000483	C-CERAMIC,DISC;0.033nF,5%,50V,NP0,TP,5x3.5,5	
UR18	2201-000483	C-CERAMIC,DISC;0.033nF,5%,50V,NP0,TP,5x3.5,5	
TC36	2201-000557	C-CERAMIC,DISC;0.47nF,10%,50V,SL,TP,8x3.5,5	
TC10	2201-000565	C-CERAMIC,DISC;47nF,20%,50V,YSV,12.5x4.0mm,5mm,TP	
TC11	2201-000565	C-CERAMIC,DISC;47nF,20%,50V,YSV,12.5x4.0mm,5mm,TP	
TC21	2201-000565	C-CERAMIC,DISC;47nF,20%,50V,YSV,12.5x4.0mm,5mm,TP	
TC31	2201-000565	C-CERAMIC,DISC;47nF,20%,50V,YSV,12.5x4.0mm,5mm,TP	
TC34	2201-000565	C-CERAMIC,DISC;47nF,20%,50V,YSV,12.5x4.0mm,5mm,TP	
TC5	2201-000565	C-CERAMIC,DISC;47nF,20%,50V,YSV,12.5x4.0mm,5mm,TP	
UC108	2201-000565	C-CERAMIC,DISC;47nF,20%,50V,YSV,12.5x4.0mm,5mm,TP	
UC2	2201-000565	C-CERAMIC,DISC;47nF,20%,50V,YSV,12.5x4.0mm,5mm,TP	
UC3	2201-000565	C-CERAMIC,DISC;47nF,20%,50V,YSV,12.5x4.0mm,5mm,TP	
UC4	2201-000565	C-CERAMIC,DISC;47nF,20%,50V,YSV,12.5x4.0mm,5mm,TP	
AC101	2201-000783	C-CERAMIC,DISC;100nF,+80-20%,50V,YSV,TP,8x3.5	
AC102	2201-000783	C-CERAMIC,DISC;100nF,+80-20%,50V,YSV,TP,8x3.5	
AC26	2201-000783	C-CERAMIC,DISC;100nF,+80-20%,50V,YSV,TP,8x3.5	
AC802	2201-000783	C-CERAMIC,DISC;100nF,+80-20%,50V,YSV,TP,8x3.5	
AC804	2201-000783	C-CERAMIC,DISC;100nF,+80-20%,50V,YSV,TP,8x3.5	
AC805	2201-000783	C-CERAMIC,DISC;100nF,+80-20%,50V,YSV,TP,8x3.5	
TC1	2201-000783	C-CERAMIC,DISC;100nF,+80-20%,50V,YSV,TP,8x3.5	
TC3	2201-000783	C-CERAMIC,DISC;100nF,+80-20%,50V,YSV,TP,8x3.5	
UC12	2202-000780	C-CERAMIC,MLC-AXIAL;100NF,+80-20%,50V,YSV,3.5X19-	
UC13	2202-000780	C-CERAMIC,MLC-AXIAL;100NF,+80-20%,50V,YSV,3.5X19-	
UC14	2202-000780	C-CERAMIC,MLC-AXIAL;100NF,+80-20%,50V,YSV,3.5X19-	
UC15	2202-000780	C-CERAMIC,MLC-AXIAL;100NF,+80-20%,50V,YSV,3.5X19-	
UC16	2202-000780	C-CERAMIC,MLC-AXIAL;100NF,+80-20%,50V,YSV,3.5X19-	
UC22	2202-000780	C-CERAMIC,MLC-AXIAL;100NF,+80-20%,50V,YSV,3.5X19-	
TC16	2202-000825		

Location no.	Code no.	Description & Specification	Remarks	Location no.	Code no.	Description & Specification	Remarks
PR2R	2001-000515	R-CARBON:220OHM,5%,1/8W,AA,TP,1.8X3.2MM		PCC3R	2201-000470	C-CERAMIC,DISC:330F,10%,50V,SL,TP,6.5X3.5	
PR3L	2001-000515	R-CARBON:220OHM,5%,1/8W,AA,TP,1.8X3.2MM		PCC4	2201-000557	C-CERAMIC,DISC:0.47nF,10%,50V,SL,TP,8X3.5	
PR3R	2001-000515	R-CARBON:220OHM,5%,1/8W,AA,TP,1.8X3.2MM		PCC5	2201-000557	C-CERAMIC,DISC:0.47nF,10%,50V,SL,TP,8X3.5	
PR4L	2001-000515	R-CARBON:220OHM,5%,1/8W,AA,TP,1.8X3.2MM		PCC1	2201-000565	C-CERAMIC,DISC:47nF,20%,50V,Y5V,12.5x4.0mm,5mm,TP	
PR4R	2001-000515	R-CARBON:220OHM,5%,1/8W,AA,TP,1.8X3.2MM		PCC2L	2201-000642	C-CERAMIC,DISC:0.68nF,10%,50V,Y5P,TP,5X3.2.5	
PR5L	2001-000515	R-CARBON:220OHM,5%,1/8W,AA,TP,1.8X3.2MM		PCC2R	2201-000642	C-CERAMIC,DISC:0.68nF,10%,50V,Y5P,TP,5X3.2.5	
PR5R	2001-000515	R-CARBON:220OHM,5%,1/8W,AA,TP,1.8X3.2MM		PCC14	2201-000653	C-CERAMIC,DISC:68pF,5%,50V,SL,TP,4.0X3.5mm,2.	
PR6L	2001-000515	R-CARBON:220OHM,5%,1/8W,AA,TP,1.8X3.2MM		PCC15	2201-000653	C-CERAMIC,DISC:68pF,5%,50V,SL,TP,4.0X3.5mm,2.	
PR6R	2001-000515	R-CARBON:220OHM,5%,1/8W,AA,TP,1.8X3.2MM		PCC17	2201-000783	C-CERAMIC,DISC:100nF,+80-20%,50V,Y5V,TP,8X3.5	
PR7L	2001-000515	R-CARBON:220OHM,5%,1/8W,AA,TP,1.8X3.2MM		VC13	2201-000783	C-CERAMIC,DISC:100nF,+80-20%,50V,Y5V,TP,8X3.5	
PR7R	2001-000515	R-CARBON:220OHM,5%,1/8W,AA,TP,1.8X3.2MM		VC18	2301-000361	C-FILM,PEF:1.2nF,10%,50V,TP,5mm	
PR8L	2001-000515	R-CARBON:220OHM,5%,1/8W,AA,TP,1.8X3.2MM		PMC11	2301-000390	C-FILM,PEF:15nF,10%,50V,TP,6.5X9X3.5MM,5M	
PR8R	2001-000515	R-CARBON:220OHM,5%,1/8W,AA,TP,1.8X3.2MM		PMC9	2301-000390	C-FILM,PEF:15nF,10%,50V,TP,6.5X9X3.5MM,5M	
VR11	2001-000515	R-CARBON:220OHM,5%,1/8W,AA,TP,1.8X3.2MM		PMC1L	2301-000393	C-FILM,PEF:18nF,10%,50V,TP,6.5X12.5X3.5MM	
VR20	2001-000515	R-CARBON:220OHM,5%,1/8W,AA,TP,1.8X3.2MM		PMC1R	2301-000393	C-FILM,PEF:18nF,10%,50V,TP,6.5X12.5X3.5MM	
PR302	2001-000522	R-CARBON:22KOHM,5%,1/8W,AA,TP,1.8X3.2MM		PMC7	2301-000393	C-FILM,PEF:18nF,10%,50V,TP,6.5X12.5X3.5MM	
PR303	2001-000522	R-CARBON:22KOHM,5%,1/8W,AA,TP,1.8X3.2MM		PMC3L	2301-000400	C-FILM,PEF:1nF,10%,50V,TP,5X7X2.8MM,5MM	
PR164	2001-000554	R-CARBON:220OHM,5%,1/8W,AA,TP,1.8X3.2MM		PMC3R	2301-000400	C-FILM,PEF:1nF,10%,50V,TP,5X7X2.8MM,5MM	
PR144	2001-000563	R-CARBON:27KOHM,5%,1/8W,AA,TP,1.8X3.2MM		PMC1	2301-000404	C-FILM,PEF:2.2nF,10%,50V,TP,5.5X7X3.2MM,5.	
PR145	2001-000563	R-CARBON:27KOHM,5%,1/8W,AA,TP,1.8X3.2MM		PMC3	2301-000404	C-FILM,PEF:2.2nF,10%,50V,TP,5.5X7X3.2MM,5.	
PR146	2001-000563	R-CARBON:27KOHM,5%,1/8W,AA,TP,1.8X3.2MM		PMC10	2301-000442	C-FILM,PEF:4.7nF,10%,50V,TP,5.5x7x3mm,5mm	
PR309	2001-000591	R-CARBON:3.3KOHM,5%,1/8W,AA,TP,1.8X3.2MM		PMC12	2301-000442	C-FILM,PEF:4.7nF,10%,50V,TP,5.5x7x3mm,5mm	
PR312	2001-000591	R-CARBON:3.3KOHM,5%,1/8W,AA,TP,1.8X3.2MM		PMC2L	2301-000442	C-FILM,PEF:4.7nF,10%,50V,TP,5.5x7x3mm,5mm	
PR873	2001-000591	R-CARBON:3.3KOHM,5%,1/8W,AA,TP,1.8X3.2MM		PMC2R	2301-000442	C-FILM,PEF:4.7nF,10%,50V,TP,5.5x7x3mm,5mm	
PR874	2001-000591	R-CARBON:3.3KOHM,5%,1/8W,AA,TP,1.8X3.2MM		PMC6	2303-000312	C-FILM,PEF:100nF,5%,63V,TP,7.5x12.5x3.5,5	
PR109	2001-000734	R-CARBON:4.7KOHM,5%,1/8W,AA,TP,1.8X3.2MM		VC4	2401-000419	C-AL:10UF,20%,16V,GP,4X7.5	
PR110	2001-000734	R-CARBON:4.7KOHM,5%,1/8W,AA,TP,1.8X3.2MM		VC5	2401-000419	C-AL:10UF,20%,16V,GP,4X7.5	
PR127	2001-000734	R-CARBON:4.7KOHM,5%,1/8W,AA,TP,1.8X3.2MM		VC6	2401-000419	C-AL:10UF,20%,16V,GP,4X7.5	
PR128	2001-000734	R-CARBON:4.7KOHM,5%,1/8W,AA,TP,1.8X3.2MM		VC7	2401-000419	C-AL:10UF,20%,16V,GP,4X7.5	
PR129	2001-000734	R-CARBON:4.7KOHM,5%,1/8W,AA,TP,1.8X3.2MM		PEC1	2401-000438	C-AL:10UF,20%,25V,GP,5X11.2MM	
PR130	2001-000734	R-CARBON:4.7KOHM,5%,1/8W,AA,TP,1.8X3.2MM		VC12	2401-000438	C-AL:10UF,20%,25V,GP,5X11.2MM	
PR131	2001-000734	R-CARBON:4.7KOHM,5%,1/8W,AA,TP,1.8X3.2MM		PEC18	2401-000649	C-AL:2.2UF,20%,50V,NP,4X7.5	
PR134	2001-000734	R-CARBON:4.7KOHM,5%,1/8W,AA,TP,1.8X3.2MM		PEC21	2401-000649	C-AL:2.2UF,20%,50V,NP,4X7.5	
PR162	2001-000734	R-CARBON:4.7KOHM,5%,1/8W,AA,TP,1.8X3.2MM		PEC1L	2401-000778	C-AL:220UF,20%,10V,GP,6.3x11.2,5mm,	
PR163	2001-000734	R-CARBON:4.7KOHM,5%,1/8W,AA,TP,1.8X3.2MM		PEC1R	2401-000778	C-AL:220UF,20%,10V,GP,6.3x11.2,5mm,	
PR167	2001-000734	R-CARBON:4.7KOHM,5%,1/8W,AA,TP,1.8X3.2MM		PEC51	2401-000907	C-AL:22UF,20%,16V,GP,5X11.2MM	
PR168	2001-000734	R-CARBON:4.7KOHM,5%,1/8W,AA,TP,1.8X3.2MM		PEC52	2401-000907	C-AL:22UF,20%,16V,GP,5X11.2MM	
PR305	2001-000734	R-CARBON:4.7KOHM,5%,1/8W,AA,TP,1.8X3.2MM		VC1	2401-001355	C-AL:470UF,20%,10V,GP,8X11.5,5MM	
PR306	2001-000734	R-CARBON:4.7KOHM,5%,1/8W,AA,TP,1.8X3.2MM		VC2	2401-001355	C-AL:470UF,20%,10V,GP,8X11.5,5MM	
PR307	2001-000734	R-CARBON:4.7KOHM,5%,1/8W,AA,TP,1.8X3.2MM		VC3	2401-001538	C-AL:47UF,20%,25V,GP,6X11.2,5MM	
PR308	2001-000734	R-CARBON:4.7KOHM,5%,1/8W,AA,TP,1.8X3.2MM		PEC11	2401-001895	C-AL:100UF,20%,16V,GP,6.3x11mm,2.5m	
PR311	2001-000734	R-CARBON:4.7KOHM,5%,1/8W,AA,TP,1.8X3.2MM		PEC12	2401-001895	C-AL:100UF,20%,16V,GP,6.3x11mm,2.5m	
PR9L	2001-000780	R-CARBON:470OHM,5%,1/8W,AA,TP,1.8X3.2MM		PEC14	2401-001895	C-AL:100UF,20%,16V,GP,6.3x11mm,2.5m	
PR9R	2001-000780	R-CARBON:470OHM,5%,1/8W,AA,TP,1.8X3.2MM		PEC15	2401-001895	C-AL:100UF,20%,16V,GP,6.3x11mm,2.5m	
PR125	2001-000786	R-CARBON:47KOHM,5%,1/8W,AA,TP,1.8X3.2MM		PEC22	2401-001895	C-AL:100UF,20%,16V,GP,6.3x11mm,2.5m	
PR126	2001-000786	R-CARBON:47KOHM,5%,1/8W,AA,TP,1.8X3.2MM		PEC24	2401-001895	C-AL:100UF,20%,16V,GP,6.3x11mm,2.5m	
PR132	2001-000802	R-CARBON:5.6Kohm,5%,1/8W,AA,TP,1.8x3.2m		VC8	2401-001912	C-AL:1UF,20%,50V,GP,5X11mm,2mm,BK	
PR136	2001-000802	R-CARBON:5.6Kohm,5%,1/8W,AA,TP,1.8x3.2m		VC9	2401-001912	C-AL:1UF,20%,50V,GP,5X11mm,2mm,BK	
PR314	2001-000802	R-CARBON:5.6Kohm,5%,1/8W,AA,TP,1.8x3.2m		PEC2	2401-001954	C-AL:4.7UF,20%,50V,GP,BK,5X11MM,5	
PR315	2001-000802	R-CARBON:5.6Kohm,5%,1/8W,AA,TP,1.8x3.2m		PEC23	2401-001954	C-AL:4.7UF,20%,50V,GP,BK,5X11MM,5	
PR105	2001-000850	R-CARBON:56KOHM,5%,1/8W,AA,TP,1.8X3.2MM		PEC25	2401-001954	C-AL:4.7UF,20%,50V,GP,BK,5X11MM,5	
PR142	2001-000890	R-CARBON:6.8KOHM,5%,1/8W,AA,TP,1.8X3.2MM		PEC26	2401-001954	C-AL:4.7UF,20%,50V,GP,BK,5X11MM,5	
PR148	2001-000890	R-CARBON:6.8KOHM,5%,1/8W,AA,TP,1.8X3.2MM		PEC27	2401-001954	C-AL:4.7UF,20%,50V,GP,BK,5X11MM,5	
PR149	2001-000890	R-CARBON:6.8KOHM,5%,1/8W,AA,TP,1.8X3.2MM		PEC28	2401-001954	C-AL:4.7UF,20%,50V,GP,BK,5X11MM,5	
PR151	2001-000890	R-CARBON:6.8KOHM,5%,1/8W,AA,TP,1.8X3.2MM		PEC29	2401-001954	C-AL:4.7UF,20%,50V,GP,BK,5X11MM,5	
PR154	2001-000890	R-CARBON:6.8KOHM,5%,1/8W,AA,TP,1.8X3.2MM		PEC2L	2401-001954	C-AL:4.7UF,20%,50V,GP,BK,5X11MM,5	
PR157	2001-000890	R-CARBON:6.8KOHM,5%,1/8W,AA,TP,1.8X3.2MM		PEC2R	2401-001954	C-AL:4.7UF,20%,50V,GP,BK,5X11MM,5	
PR176	2001-000890	R-CARBON:6.8KOHM,5%,1/8W,AA,TP,1.8X3.2MM		PEC3	2401-001954	C-AL:4.7UF,20%,50V,GP,BK,5X11MM,5	
PR177	2001-000890	R-CARBON:6.8KOHM,5%,1/8W,AA,TP,1.8X3.2MM		PEC30	2401-001954	C-AL:4.7UF,20%,50V,GP,BK,5X11MM,5	
VR1	2001-000938	R-CARBON:68OHM,5%,1/8W,AA,TP,1.8X3.2MM		PEC4	2401-001954	C-AL:4.7UF,20%,50V,GP,BK,5X11MM,5	
VR6	2001-000938	R-CARBON:68OHM,5%,1/8W,AA,TP,1.8X3.2MM		PEC5	2401-001954	C-AL:4.7UF,20%,50V,GP,BK,5X11MM,5	
VR7	2001-000969	R-CARBON:75OHM,5%,1/8W,AA,TP,1.8X3.2MM		PEC10	2401-001968	C-AL:470NF,20%,50V,GP,TP,5X11MM,5	
VR8	2001-000969	R-CARBON:75OHM,5%,1/8W,AA,TP,1.8X3.2MM		PEC13	2401-001968	C-AL:470NF,20%,50V,GP,TP,5X11MM,5	
VR9	2001-000969	R-CARBON:75OHM,5%,1/8W,AA,TP,1.8X3.2MM		PEC06	2401-001975	C-AL:47UF,20%,16V,GP,TP,5X11MM,5	
PR147	2001-000977	R-CARBON:8.2KOHM,5%,1/8W,AA,TP,1.8X3.2MM		PEC07	2401-001975	C-AL:47UF,20%,16V,GP,TP,5X11MM,5	
PR152	2001-000977	R-CARBON:8.2KOHM,5%,1/8W,AA,TP,1.8X3.2MM		PEC16	2401-001975	C-AL:47UF,20%,16V,GP,TP,5X11MM,5	
PR155	2001-000977	R-CARBON:8.2KOHM,5%,1/8W,AA,TP,1.8X3.2MM		PEC17	2401-001975	C-AL:47UF,20%,16V,GP,TP,5X11MM,5	
VR14	2001-000977	R-CARBON:8.2KOHM,5%,1/8W,AA,TP,1.8X3.2MM		PEC3L	2401-001975	C-AL:47UF,20%,16V,GP,TP,5X11MM,5	
PR141	2001-001000	R-CARBON:82KOHM,5%,1/8W,AA,TP,1.8X3.2MM		PEC3R	2401-001975	C-AL:47UF,20%,16V,GP,TP,5X11MM,5	
PR143	2001-001000	R-CARBON:82KOHM,5%,1/8W,AA,TP,1.8X3.2MM		PEC8	2401-001975	C-AL:47UF,20%,16V,GP,TP,5X11MM,5	
PR160	2001-001077	R-CARBON(S):150ohm,5%,1/2W,AA,TP,2.4x6.4mm		PEC9	2401-001975	C-AL:47UF,20%,16V,GP,TP,5X11MM,5	
PR301	2001-001077	R-CARBON(S):150ohm,5%,1/2W,AA,TP,2.4x6.4mm		VC10	2401-001975	C-AL:47UF,20%,16V,GP,TP,5X11MM,5	
VC19	2201-000146	C-CERAMIC,DISC:0.1nF,5%,50V,SL,TP,5X3.5		AC11	2401-001994	C-AL:3.3UF,20%,50V,BP,TP,5X11MM,5	
AC14	2201-000223	C-CERAMIC,DISC:12pF,5%,50V,CH,TP,5X3.0		PEC19	2401-001994	C-AL:3.3UF,20%,50V,BP,TP,5X11MM,5	
PCC10	2201-000231	C-CERAMIC,DISC:150pF,10%,50V,SL,TP,6X3.5		PEC20	2401-001994	C-AL:3.3UF,20%,50V,BP,TP,5X11MM,5	
PCC8	2201-000231	C-CERAMIC,DISC:150pF,10%,50V,SL,TP,6X3.5		PEC302	2401-001994	C-AL:3.3UF,20%,50V,BP,TP,5X11MM,5	
PCC9	2201-000231	C-CERAMIC,DISC:150pF,10%,50V,SL,TP,6X3.5		PECAL	2401-002180	C-AL:2.2UF,20%,50V,GP,TP,5X11.5MM	
VC15	2201-000247	C-CERAMIC,DISC:0.015nF,5%,50V,NP0,TP,5X3.5		PEC4R	2401-002180	C-AL:2.2UF,20%,50V,GP,TP,5X11.5MM	
PCC12	2201-000368	C-CERAMIC,DISC:220PF,10%,50V,SL,TP,6.5X3.0.5		VL2	2701-000178	INDUCTOR-AXIAL,33uH,10%,3x7mm	
PCC13	2201-000368	C-CERAMIC,DISC:220PF,10%,50V,SL,TP,6.5X3.0.5		PJW1	3811-000389	WIRE-NO SHEATH CU:SPCW,300V,52.4MM,1/0.5MM,-,-	
PCC16	2201-000368	C-CERAMIC,DISC:220PF,10%,50V,SL,TP,6.5X3.0.5		PJW10	3811-000389	WIRE-NO SHEATH CU:SPCW,300V,52.4MM,1/0.5MM,-,-	
PCC2	2201-000368	C-CERAMIC,DISC:220PF,10%,50V,SL,TP,6.5X3.0.5		PJW100	3811-000389	WIRE-NO SHEATH CU:SPCW,300V,52.4MM,1/0.5MM,-,-	
PCC3	2201-000368	C-CERAMIC,DISC:220PF,10%,50V,SL,TP,6.5X3.0.5		PJW101	3811-000389	WIRE-NO SHEATH CU:SPCW,300V,52.4MM,1/0.5MM,-,-	
PCC6	2201-000368	C-CERAMIC,DISC:220PF,10%,50V,SL,TP,6.5X3.0.5		PJW102	3811-000389	WIRE-NO SHEATH CU:SPCW,300V,52.4MM,1/0.5MM,-,-	
PCC7	2201-000368	C-CERAMIC,DISC:220PF,10%,50V,SL,TP,6.5X3.0.5		PJW103	3811-000389	WIRE-NO SHEATH CU:SPCW,300V,52.4MM,1/0.5MM,-,-	
VC801	2201-000368	C-CERAMIC,DISC:220PF,10%,50V,SL,TP,6.5X3.0.5		PJW104	3811-000389	WIRE-NO SHEATH CU:SPCW,300V,52.4MM,1/0.5MM,-,-	
VC802	2201-000368	C-CERAMIC,DISC:220PF,10%,50V,SL,TP,6.5X3.0.5		PJW107	3811-000389	WIRE-NO SHEATH CU:SPCW,300V,52.4MM,1/0.5MM,-,-	
VC16	2201-000389	C-CERAMIC,DISC:0.022nF,5%,50V,NP0,TP,5X3.5		PJW108	3811-000389	WIRE-NO SHEATH CU:SPCW,300V,52.4MM,1/0.5MM,-,-	
VC17	2201						

Location no.	Code no.	Description & Specification	Remarks	Location no.	Code no.	Description & Specification	Remarks
DR35	2001-000522	R-CARBON:22KOHM,5%,1/8W,AA,TP,1.8X3.2MM		DC41	2401-001895	C-AL:100UF,20%,16V,GP,6.3x11mm,2.5m	
DR13	2001-000591	R-CARBON:3.3KOHM,5%,1/8W,AA,TP,1.8X3.2MM		DC42	2401-001895	C-AL:100UF,20%,16V,GP,6.3x11mm,2.5m	
DR17	2001-000591	R-CARBON:3.3KOHM,5%,1/8W,AA,TP,1.8X3.2MM		DC53	2401-001895	C-AL:100UF,20%,16V,GP,6.3x11mm,2.5m	
DR15	2001-000613	R-CARBON:3.9KOHM,5%,1/8W,AA,TP,1.8X3.2MM		DC54	2401-001895	C-AL:100UF,20%,16V,GP,6.3x11mm,2.5m	
DR19	2001-000613	R-CARBON:3.9KOHM,5%,1/8W,AA,TP,1.8X3.2MM		DC56	2401-001895	C-AL:100UF,20%,16V,GP,6.3x11mm,2.5m	
DR21	2001-000613	R-CARBON:3.9KOHM,5%,1/8W,AA,TP,1.8X3.2MM		DC57	2401-001895	C-AL:100UF,20%,16V,GP,6.3x11mm,2.5m	
DR23	2001-000613	R-CARBON:3.9KOHM,5%,1/8W,AA,TP,1.8X3.2MM		DC44	2401-001912	C-AL:1uF,20%,50V,GP,5x11mm,2mm,BK	
DR25	2001-000613	R-CARBON:3.9KOHM,5%,1/8W,AA,TP,1.8X3.2MM		DC51	2401-001912	C-AL:1uF,20%,50V,GP,5x11mm,2mm,BK	
DR27	2001-000613	R-CARBON:3.9KOHM,5%,1/8W,AA,TP,1.8X3.2MM		DC62	2401-001912	C-AL:1uF,20%,50V,GP,5x11mm,2mm,BK	
DR29	2001-000613	R-CARBON:3.9KOHM,5%,1/8W,AA,TP,1.8X3.2MM		DC66	2401-001912	C-AL:1uF,20%,50V,GP,5x11mm,2mm,BK	
DR31	2001-000613	R-CARBON:3.9KOHM,5%,1/8W,AA,TP,1.8X3.2MM		DC35	2401-001975	C-AL:47UF,20%,16V,GP,TP,5X11MM,5	
DR38	2001-000660	R-CARBON:33KOHM,5%,1/8W,AA,TP,1.8X3.2MM		DC36	2401-001975	C-AL:47UF,20%,16V,GP,TP,5X11MM,5	
DR43	2001-000666	R-CARBON:33OHM,5%,1/8W,AA,TP,1.8X3.2MM		DC39	2401-001975	C-AL:47UF,20%,16V,GP,TP,5X11MM,5	
DR46	2001-000666	R-CARBON:33OHM,5%,1/8W,AA,TP,1.8X3.2MM		DC48	2401-001975	C-AL:47UF,20%,16V,GP,TP,5X11MM,5	
DR51	2001-000666	R-CARBON:33OHM,5%,1/8W,AA,TP,1.8X3.2MM		DC45	2401-002180	C-AL:2.2UF,20%,50V,GP,TP,5X11,5MM	
DR53	2001-000666	R-CARBON:33OHM,5%,1/8W,AA,TP,1.8X3.2MM		DFB1	3301-000325	CORE-FERRITE BEAD,AB,3.2x2.5x1.3mm,-,-	
DR54	2001-000666	R-CARBON:33OHM,5%,1/8W,AA,TP,1.8X3.2MM		DFB2	3301-000325	CORE-FERRITE BEAD,AB,3.2x2.5x1.3mm,-,-	
DR55	2001-000666	R-CARBON:33OHM,5%,1/8W,AA,TP,1.8X3.2MM		DFB3	3301-000325	CORE-FERRITE BEAD,AB,3.2x2.5x1.3mm,-,-	
DR59	2001-000666	R-CARBON:33OHM,5%,1/8W,AA,TP,1.8X3.2MM		DFB4	3301-000325	CORE-FERRITE BEAD,AB,3.2x2.5x1.3mm,-,-	
DR63	2001-000666	R-CARBON:33OHM,5%,1/8W,AA,TP,1.8X3.2MM		DFB5	3301-000325	CORE-FERRITE BEAD,AB,3.2x2.5x1.3mm,-,-	
DR64	2001-000666	R-CARBON:33OHM,5%,1/8W,AA,TP,1.8X3.2MM		DJW1	3811-000389	WIRE-NO SHEATH CU:SPCW,300V,52.4MM,1/0.5MM,-,-	
DR65	2001-000666	R-CARBON:33OHM,5%,1/8W,AA,TP,1.8X3.2MM		DJW3	3811-000389	WIRE-NO SHEATH CU:SPCW,300V,52.4MM,1/0.5MM,-,-	
DR66	2001-000666	R-CARBON:33OHM,5%,1/8W,AA,TP,1.8X3.2MM		DJW5	3811-000389	WIRE-NO SHEATH CU:SPCW,300V,52.4MM,1/0.5MM,-,-	
DR70	2001-000666	R-CARBON:33OHM,5%,1/8W,AA,TP,1.8X3.2MM		DR50	3811-000389	WIRE-NO SHEATH CU:SPCW,300V,52.4MM,1/0.5MM,-,-	
DR71	2001-000666	R-CARBON:33OHM,5%,1/8W,AA,TP,1.8X3.2MM					
DR72	2001-000666	R-CARBON:33OHM,5%,1/8W,AA,TP,1.8X3.2MM					
DR73	2001-000666	R-CARBON:33OHM,5%,1/8W,AA,TP,1.8X3.2MM					
DR36	2001-000734	R-CARBON:4.7KOHM,5%,1/8W,AA,TP,1.8X3.2MM					
DR57	2001-000734	R-CARBON:4.7KOHM,5%,1/8W,AA,TP,1.8X3.2MM					
DR58	2001-000734	R-CARBON:4.7KOHM,5%,1/8W,AA,TP,1.8X3.2MM					
DR67	2001-000734	R-CARBON:4.7KOHM,5%,1/8W,AA,TP,1.8X3.2MM					
DR68	2001-000734	R-CARBON:4.7KOHM,5%,1/8W,AA,TP,1.8X3.2MM					
DR1	2001-000786	R-CARBON:47KOHM,5%,1/8W,AA,TP,1.8X3.2MM					
DR2	2001-000786	R-CARBON:47KOHM,5%,1/8W,AA,TP,1.8X3.2MM					
DR11	2001-000793	R-CARBON:47OHM,5%,1/8W,AA,TP,1.8X3.2MM					
DR12	2001-000793	R-CARBON:47OHM,5%,1/8W,AA,TP,1.8X3.2MM					
DR8	2001-000793	R-CARBON:47OHM,5%,1/8W,AA,TP,1.8X3.2MM					
DR9	2001-000793	R-CARBON:47OHM,5%,1/8W,AA,TP,1.8X3.2MM					
DR34	2001-000864	R-CARBON:56KOHM,5%,1/8W,AA,TP,1.8X3.2MM					
DC1	2201-000146	C-CERAMIC,DISC,0.1nF,5%,50V,SL,TP,5x3.5,5					
DC2	2201-000146	C-CERAMIC,DISC,0.1nF,5%,50V,SL,TP,5x3.5,5					
DC3	2201-000146	C-CERAMIC,DISC,0.1nF,5%,50V,SL,TP,5x3.5,5					
DC4	2201-000146	C-CERAMIC,DISC,0.1nF,5%,50V,SL,TP,5x3.5,5					
DC47	2201-000146	C-CERAMIC,DISC,0.1nF,5%,50V,SL,TP,5x3.5,5					
DC19	2201-000218	C-CERAMIC,DISC,120PF,5%,50V,SL,TP,5X4,5					
DC23	2201-000218	C-CERAMIC,DISC,120PF,5%,50V,SL,TP,5X4,5					
DC27	2201-000218	C-CERAMIC,DISC,120PF,5%,50V,SL,TP,5X4,5					
DC11	2201-000260	C-CERAMIC,DISC,180PF,10%,50V,SL,4*4.2,5,TP					
DC15	2201-000260	C-CERAMIC,DISC,180PF,10%,50V,SL,4*4.2,5,TP					
DC40	2202-000780	C-CERAMIC,MLC-AXIAL:100NF,+80-20%,50V,Y5V,3.5X19,-					
DC43	2202-000780	C-CERAMIC,MLC-AXIAL:100NF,+80-20%,50V,Y5V,3.5X19,-					
DC49	2202-000780	C-CERAMIC,MLC-AXIAL:100NF,+80-20%,50V,Y5V,3.5X19,-					
DC5	2202-000780	C-CERAMIC,MLC-AXIAL:100NF,+80-20%,50V,Y5V,3.5X19,-					
DC52	2202-000780	C-CERAMIC,MLC-AXIAL:100NF,+80-20%,50V,Y5V,3.5X19,-					
DC55	2202-000780	C-CERAMIC,MLC-AXIAL:100NF,+80-20%,50V,Y5V,3.5X19,-					
DC59	2202-000780	C-CERAMIC,MLC-AXIAL:100NF,+80-20%,50V,Y5V,3.5X19,-					
DC6	2202-000780	C-CERAMIC,MLC-AXIAL:100NF,+80-20%,50V,Y5V,3.5X19,-					
DC60	2202-000780	C-CERAMIC,MLC-AXIAL:100NF,+80-20%,50V,Y5V,3.5X19,-					
DC61	2202-000780	C-CERAMIC,MLC-AXIAL:100NF,+80-20%,50V,Y5V,3.5X19,-					
DC63	2202-000780	C-CERAMIC,MLC-AXIAL:100NF,+80-20%,50V,Y5V,3.5X19,-					
DC64	2202-000780	C-CERAMIC,MLC-AXIAL:100NF,+80-20%,50V,Y5V,3.5X19,-					
DC65	2202-000780	C-CERAMIC,MLC-AXIAL:100NF,+80-20%,50V,Y5V,3.5X19,-					
DC67	2202-000780	C-CERAMIC,MLC-AXIAL:100NF,+80-20%,50V,Y5V,3.5X19,-					
DC68	2202-000780	C-CERAMIC,MLC-AXIAL:100NF,+80-20%,50V,Y5V,3.5X19,-					
DC71	2202-000780	C-CERAMIC,MLC-AXIAL:100NF,+80-20%,50V,Y5V,3.5X19,-					
DC58	2202-000797	C-CERAMIC,MLC-AXIAL:10NF,30%,16V,Y5S,TP,3.5X1.9MM,-					
DC38	2301-000365	C-FILM,PEF,1.5nF,10%,50V,TP,5.5x7x2.8mm,5					
DC37	2301-000390	C-FILM,PEF,15nF,10%,50V,TP,6.5x9x3.5mm,5M					
DC20	2301-000407	C-FILM,PEF,2.7nF,10%,50V,TP,5.5x7x3mm,5MM					
DC24	2301-000407	C-FILM,PEF,2.7nF,10%,50V,TP,5.5x7x3mm,5MM					
DC28	2301-000407	C-FILM,PEF,2.7nF,10%,50V,TP,5.5x7x3mm,5MM					
DC46	2301-000411	C-FILM,PEF,220NF,5%,50V,BK,-,-					
DC12	2301-000422	C-FILM,PEF,3.3NF,10%,50V,TP,5.5x7x3mm,5MM					
DC16	2301-000422	C-FILM,PEF,3.3NF,10%,50V,TP,5.5x7x3mm,5MM					
DC13	2301-000455	C-FILM,PEF,5.6NF,5%,50V,TP,6X12X3,3.5MM					
DC17	2301-000455	C-FILM,PEF,5.6NF,5%,50V,TP,6X12X3,3.5MM					
DC21	2301-000455	C-FILM,PEF,5.6NF,5%,50V,TP,6X12X3,3.5MM					
DC25	2301-000455	C-FILM,PEF,5.6NF,5%,50V,TP,6X12X3,3.5MM					
DC29	2301-000455	C-FILM,PEF,5.6NF,5%,50V,TP,6X12X3,3.5MM					
DC31	2301-000462	C-FILM,PEF,6.8NF,10%,50V,TP,6X12X3,3.5MM					
DC32	2301-000476	C-FILM,PEF,82nF,10%,50V,TP,10.5x12.5x6,7m					
DC10	2401-000438	C-AL:10UF,20%,25V,GP,-,5X11.2MM					
DC14	2401-000438	C-AL:10UF,20%,25V,GP,-,5X11.2MM					
DC18	2401-000438	C-AL:10UF,20%,25V,GP,-,5X11.2MM					
DC22	2401-000438	C-AL:10UF,20%,25V,GP,-,5X11.2MM					
DC26	2401-000438	C-AL:10UF,20%,25V,GP,-,5X11.2MM					
DC30	2401-000438	C-AL:10UF,20%,25V,GP,-,5X11.2MM					
DC34	2401-000438	C-AL:10UF,20%,25V,GP,-,5X11.2MM					
DC50	2401-000438	C-AL:10UF,20%,25V,GP,-,5X11.2MM					
DC7	2401-000438	C-AL:10UF,20%,25V,GP,-,5X11.2MM					
DC8	2401-000438	C-AL:10UF,20%,25V,GP,-,5X11.2MM					
DC9	2401-000438	C-AL:10UF,20%,25V,GP,-,5X11.2MM					
DC33	2401-000759	C-AL:220NF,20%,50V,GP,-,5X11.2MM					