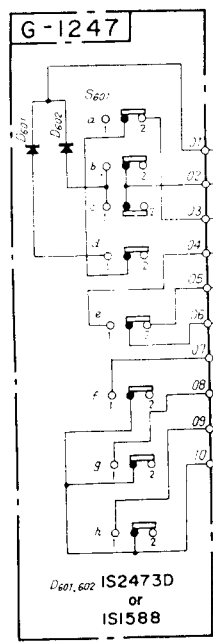
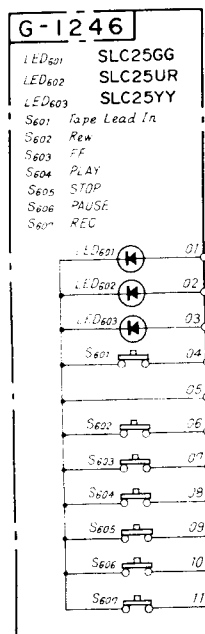
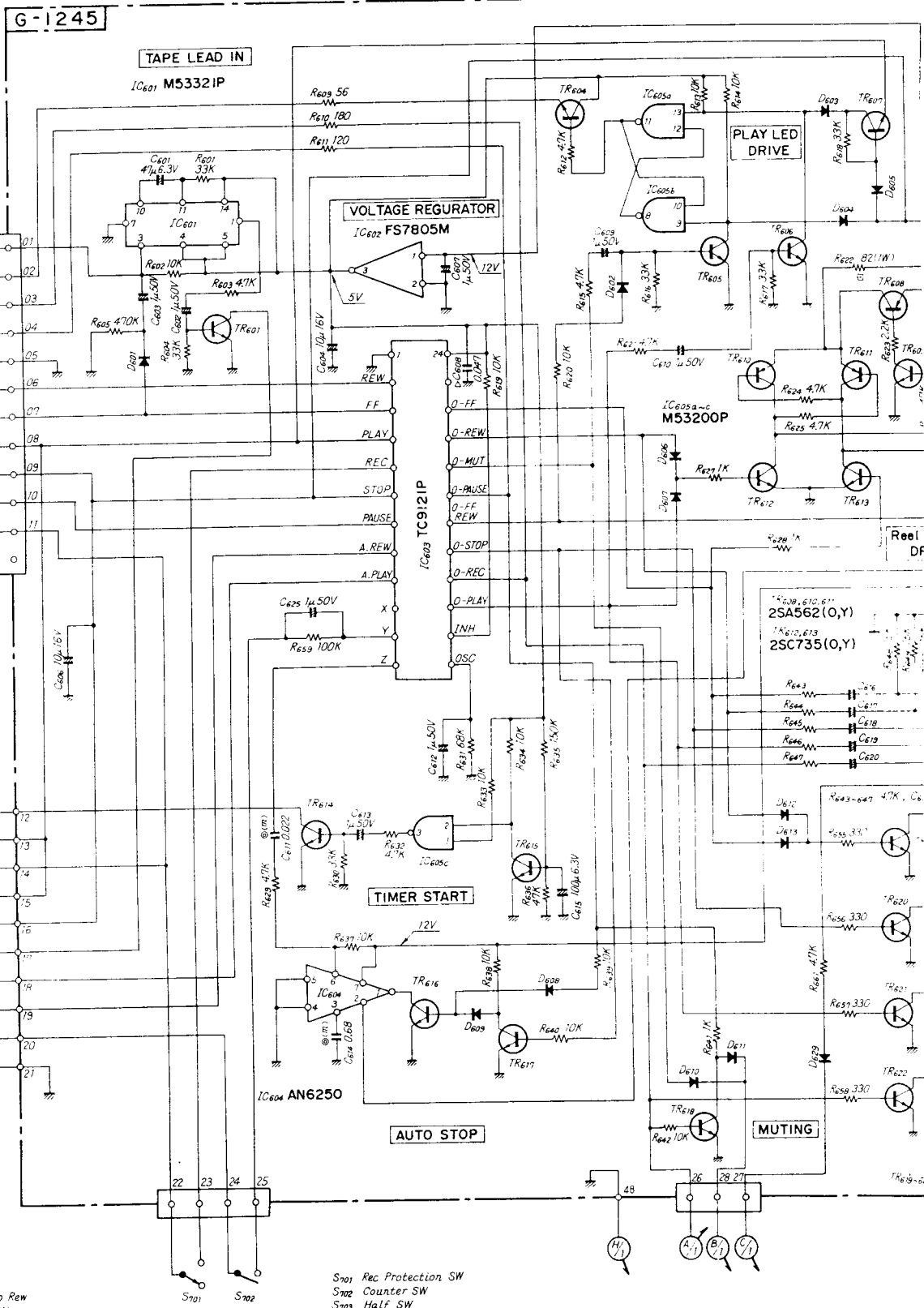


SANSUI SC-5300, SC-5330, SC-77, SCHEMATIC DIAGRAM



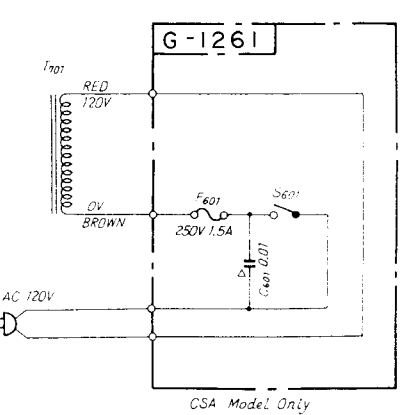
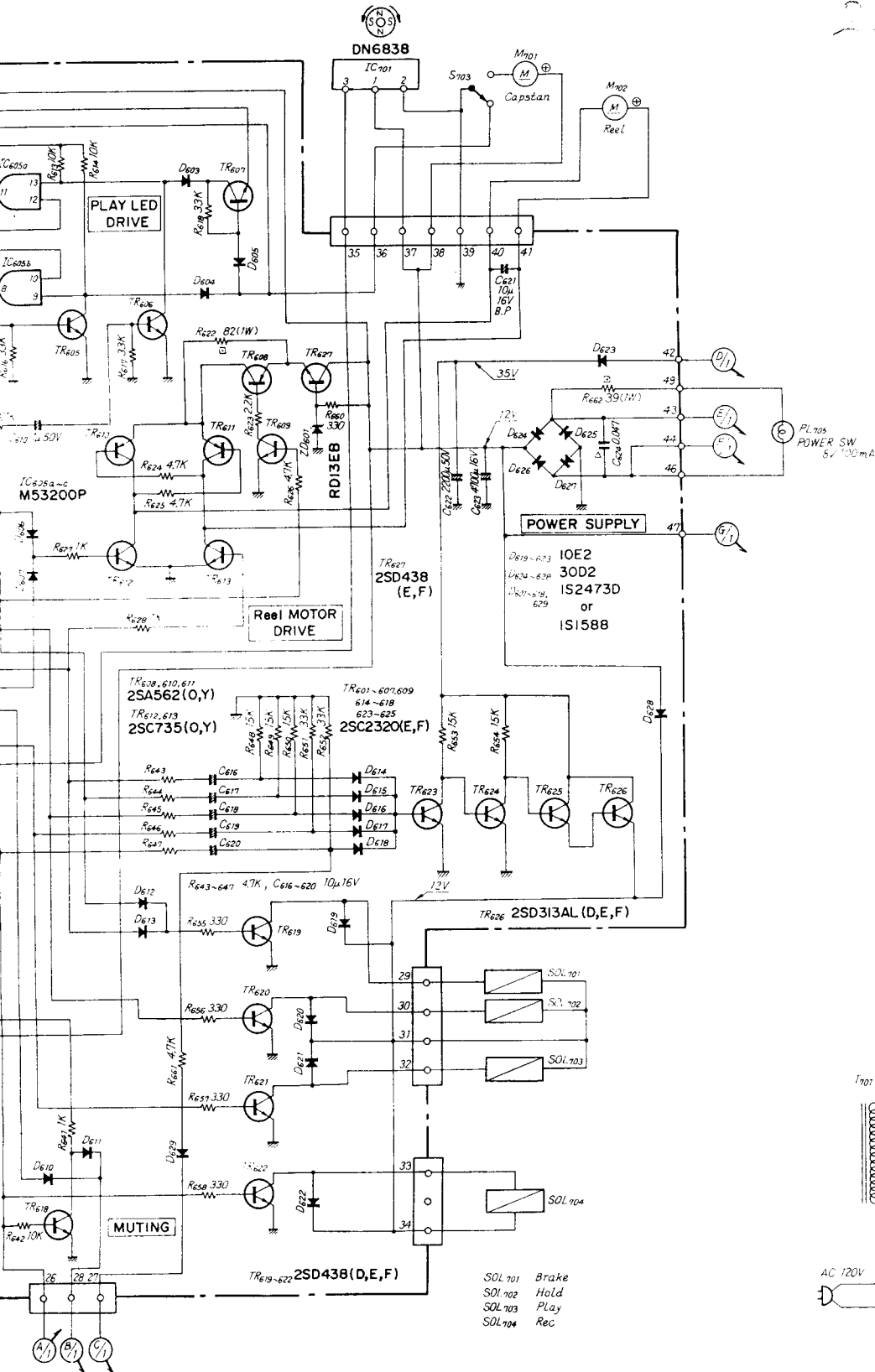
- G-1247
- | | |
|---|---|
| S _{501a,b} Timer Play
1. ON
2. OFF | S _{501g} Auto Rew
1. ON
2. OFF |
| S _{501c,d} Timer Rec
1. ON
2. OFF | S _{501h} Memory
1. ON
2. OFF |
| S _{501e,f} Auto Play
1. ON
2. OFF | |



S₅₀₁ Rec Protection SW
 S₅₀₂ Counter SW
 S₅₀₃ Half SW

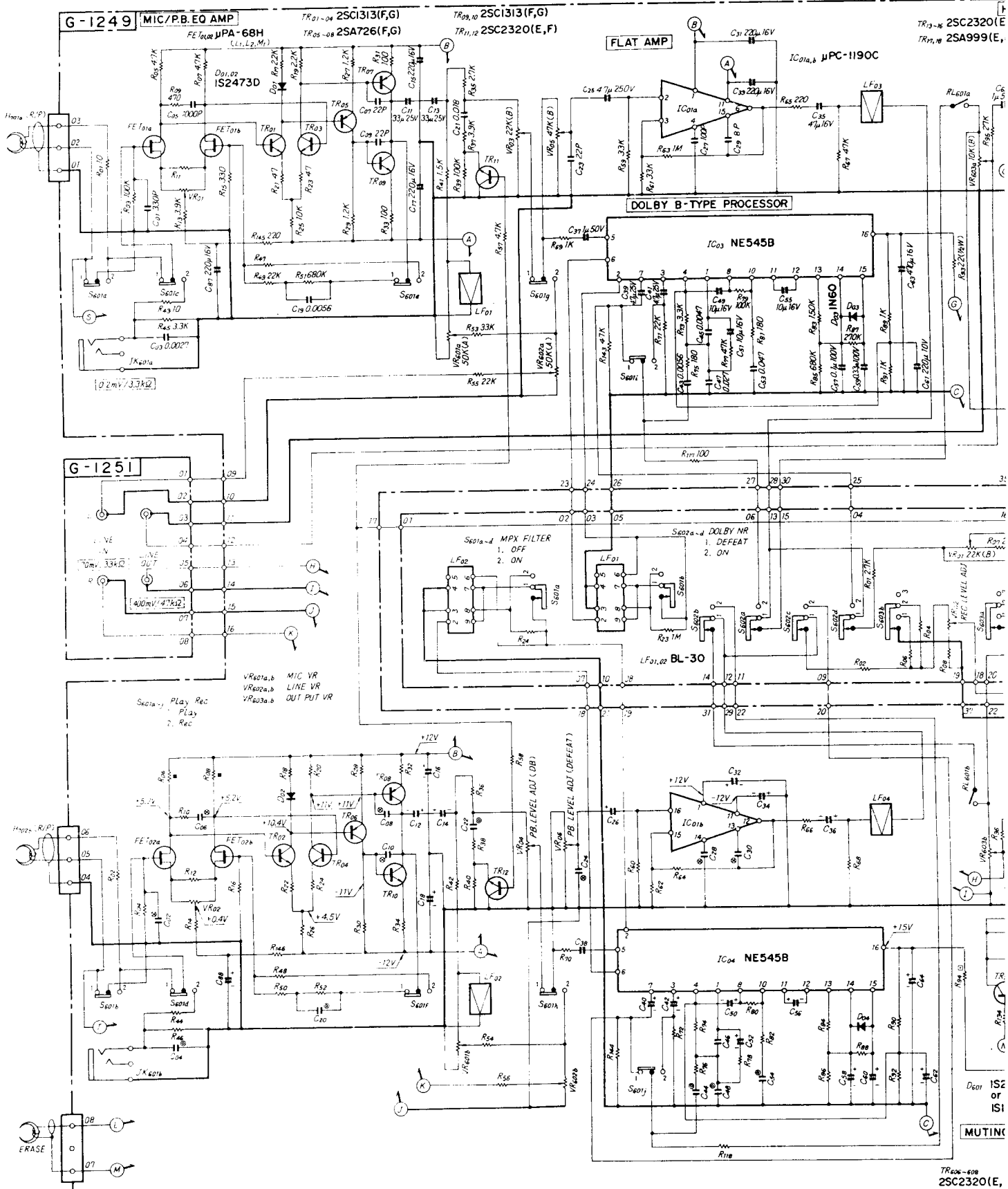
Each D.C Voltage shows the nominal value in during recording

- Design and specifications subject to change without notice for improvement.
- La présentation et les spécifications sont susceptibles d'être modifiées sans préavis par suites d'améliorations éventuelles.
- Änderungen, die dem technischen Fortschritt dienen, bleiben vorbehalten.



- SOL 701 Brake
- SOL 702 Hold
- SOL 703 Play
- SOL 704 Rec

SANSUI SC-5300, SC-5330, SC-77, SCHEMATIC DIAGRAM



SYMBOL
 ● Mylar
 □ Polystyrene
 ⊕ Non Flammable Resistor
 ■ Metal Film Resistor

RESISTORS
 Are in ohms, 1/4 Watts Tolerance Unless otherwise
 Noted K:K2, M:MQ
CAPACITORS
 Are in μ F Unless otherwise Noted P:pF

Each D.C. Voltage shows the nominal value in during recording

TR13-16 2SC2320(E)
 TR17,18 2SA999(E)

TR13-16 2SC2320(E)
 TR17,18 2SA999(E)

TR13-16 2SC2320(E)
 TR17,18 2SA999(E)

TR13-16 2SC2320(E)
 TR17,18 2SA999(E)

TR13-16 2SC2320(E)
 TR17,18 2SA999(E)

TR13-16 2SC2320(E)
 TR17,18 2SA999(E)

TR13-16 2SC2320(E)
 TR17,18 2SA999(E)

TR13-16 2SC2320(E)
 TR17,18 2SA999(E)

- Design and specifications subject to change without notice for improvement.
- La présentation et les spécifications sont susceptibles d'être modifiées sans préavis par suites d'améliorations éventuelles.
- Änderungen, die dem technischen Fortschritt dienen, bleiben vorbehalten.

