

SANSUI SD-5000 (AMP)

SPECIFICATIONS

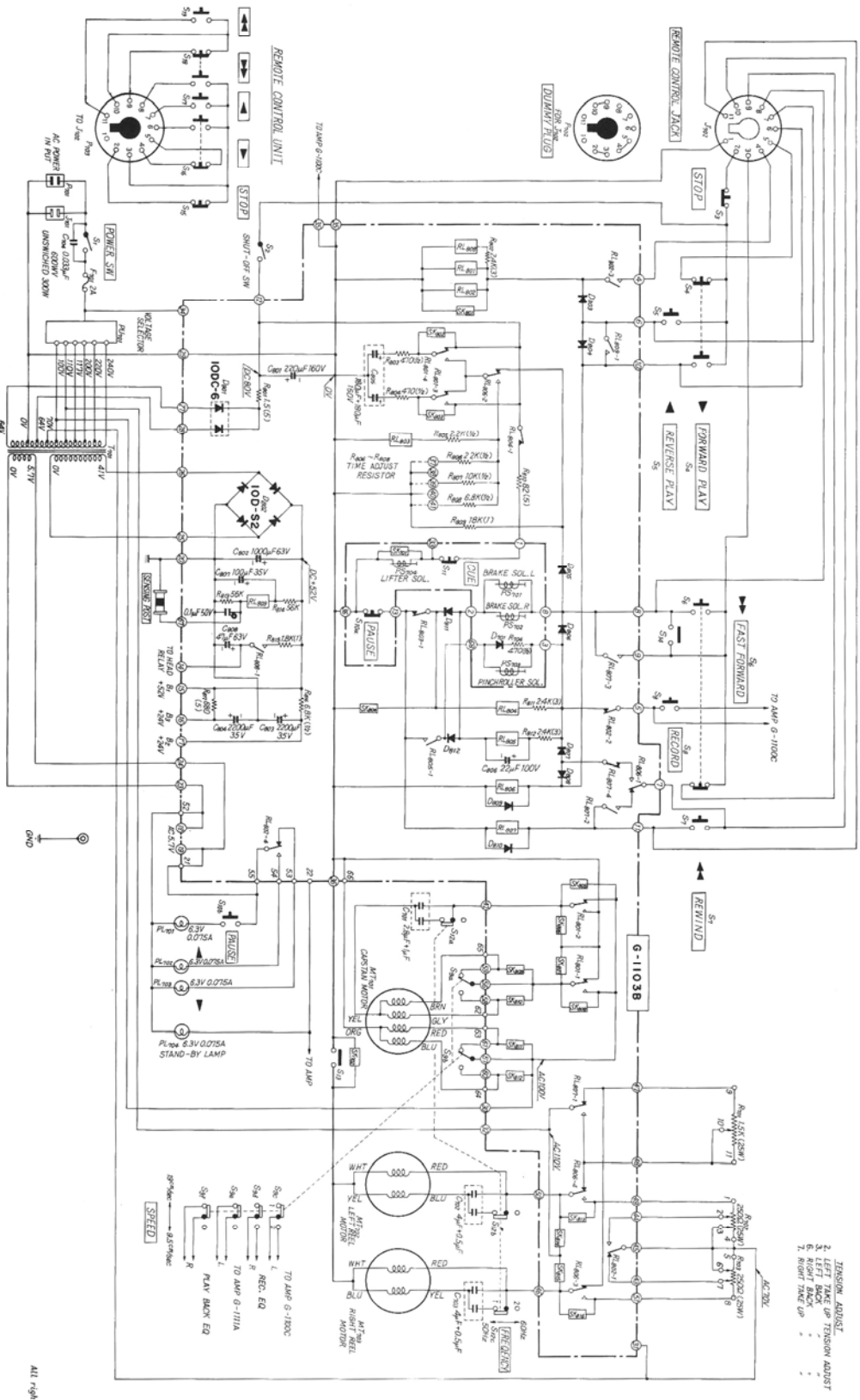
INPUT AND OUTPUT LEVEL

INPUT TERMINAL	INPUT	OUTPUT
LINE-HIGH	70mV	1.2V (0VU=0.775V)
LINE-LOW	70mV	0.35V (0VU=0.225V)
DIN	14mV	1.2V (0VU=0.775V)
MIC	0.5mV	

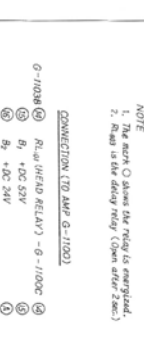
Memo for Replacement Part by Modification or Improvement

Modified Circuit or Section	Date	Reason for Modification	Replaced Part No.	Stock No.	Name of the Original Part

SANSUI SD-5000 SCHEMATIC DIAGRAM OF CONTROL SECTION



5. POWER SW
 5a. SHUT OFF SW
 5b. STOP SW
 5c. FORWARD
 5d. REVERSE
 5e. RETURN
 5f. RECORD
 5g. SPEED (90% R/W)
 5h. 175 (3.25 (R/W))
 5i. 2 SW (175 (R/W))
- 5a1. 60Hz
 5a2. 50Hz
 5a3. 60Hz (data not with brake actuated)
 5a4. (M4-0-1S)
 5a5. (L1-1-C)
- 5a6. FREQ. CHANGE
 5a7. 1 50Hz
 5a8. 2 60Hz



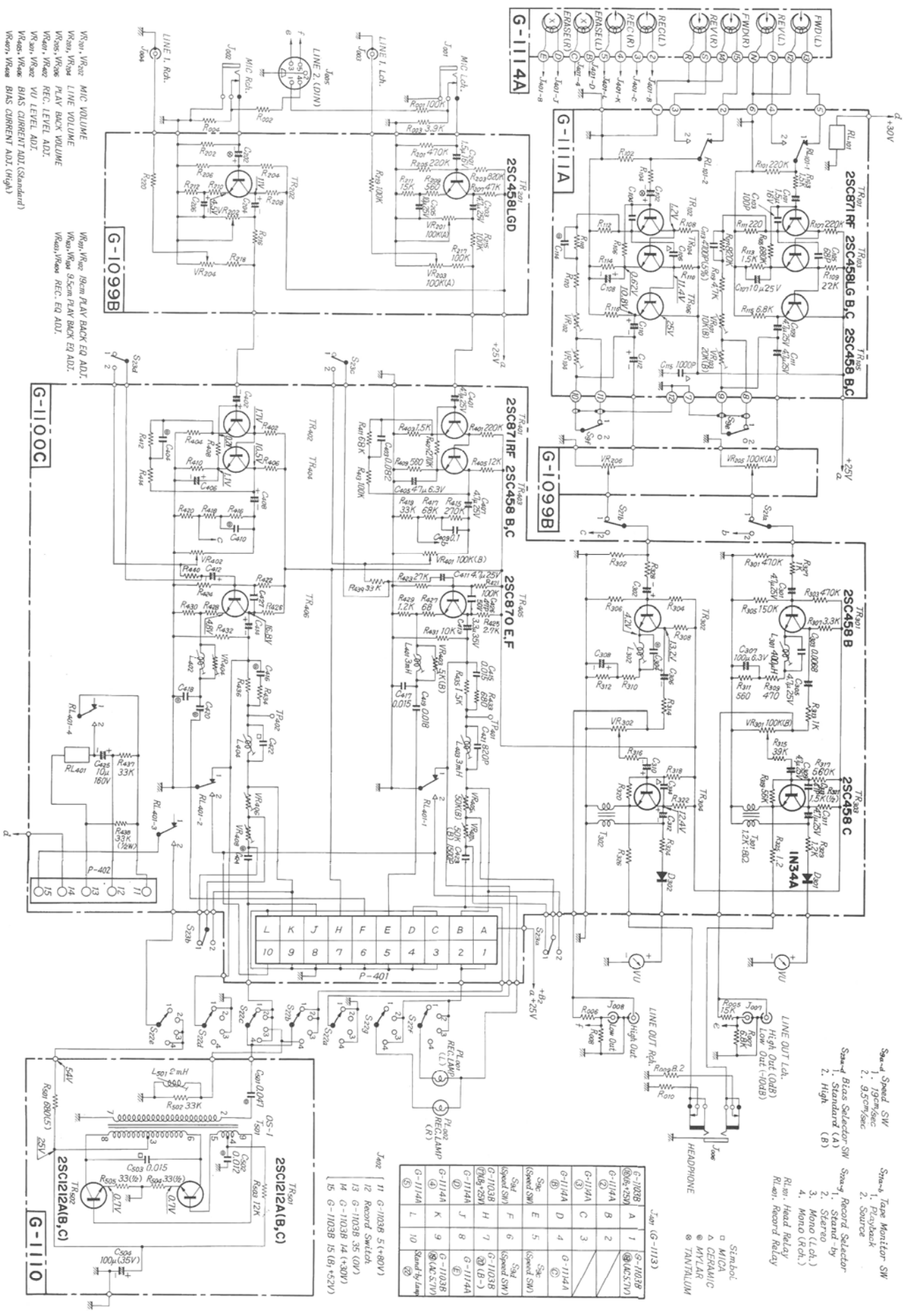
- CONNECTION (TD AMP G-11002)
- (A) Relay (HEAD RELAY) - G-1100C
 - (B) +DC 24V
 - (C) -DC 24V
 - (D) +DC 24V
 - (E) AC 5.7V
 - (F) AC 5.7V
 - (G) STAND BY SW
 - (H) RECORD SW AND DC +45V
 - (I) CM DC -180V

* Design and specification subject to change without notice for improvements.

All rights reserved specifications subject to change without notice

SANSUI SD-5000 SCHEMATIC DIAGRAM OF AMP SECTION

Sansui



Legend for Component Symbols:

- MIC
- △ CRYSTAL
- ⊗ TANTALUM

Legend for Switches:

- S201 Speed SW
- S202 Bias Selector SW
- S203 Record Selector
- S204 Stand by
- S205 Mono (Lok.)
- S206 Mono (Rok.)
- S207 Head Relay
- S208 Record Relay

Legend for Relays:

- RL401 Head Relay
- RL402 Record Relay

Legend for Indicators:

- H-110 Head Lamp

Legend for Transformers:

- P-401 Head Transformer

Legend for Potentiometers:

- VR101-VR104 Volume Controls
- VR105-VR108 Bias Controls

Legend for Miscellaneous:

- J101-104 Connectors
- S209-210 Switches

Legend for Diodes:

- DA1-4 Diodes

Legend for Capacitors:

- CA1-4 Capacitors

Legend for Resistors:

- RA1-4 Resistors

Legend for Transistors:

- TR101-104 Transistors

Legend for Miscellaneous:

- VR101-VR108 Bias Controls

- Legend for Component Values:
- 11 G-1103B 5 (+80V)
 - 12 Record Switch
 - 13 G-1103B 35 (OV)
 - 14 G-1103B 14 (+30V)
 - 15 G-1103B 15 (B) (+20V)

* Design and specification subject to change without notice for improvements.