

SANSUI SD-5050 (AMP)

SPECIFICATIONS

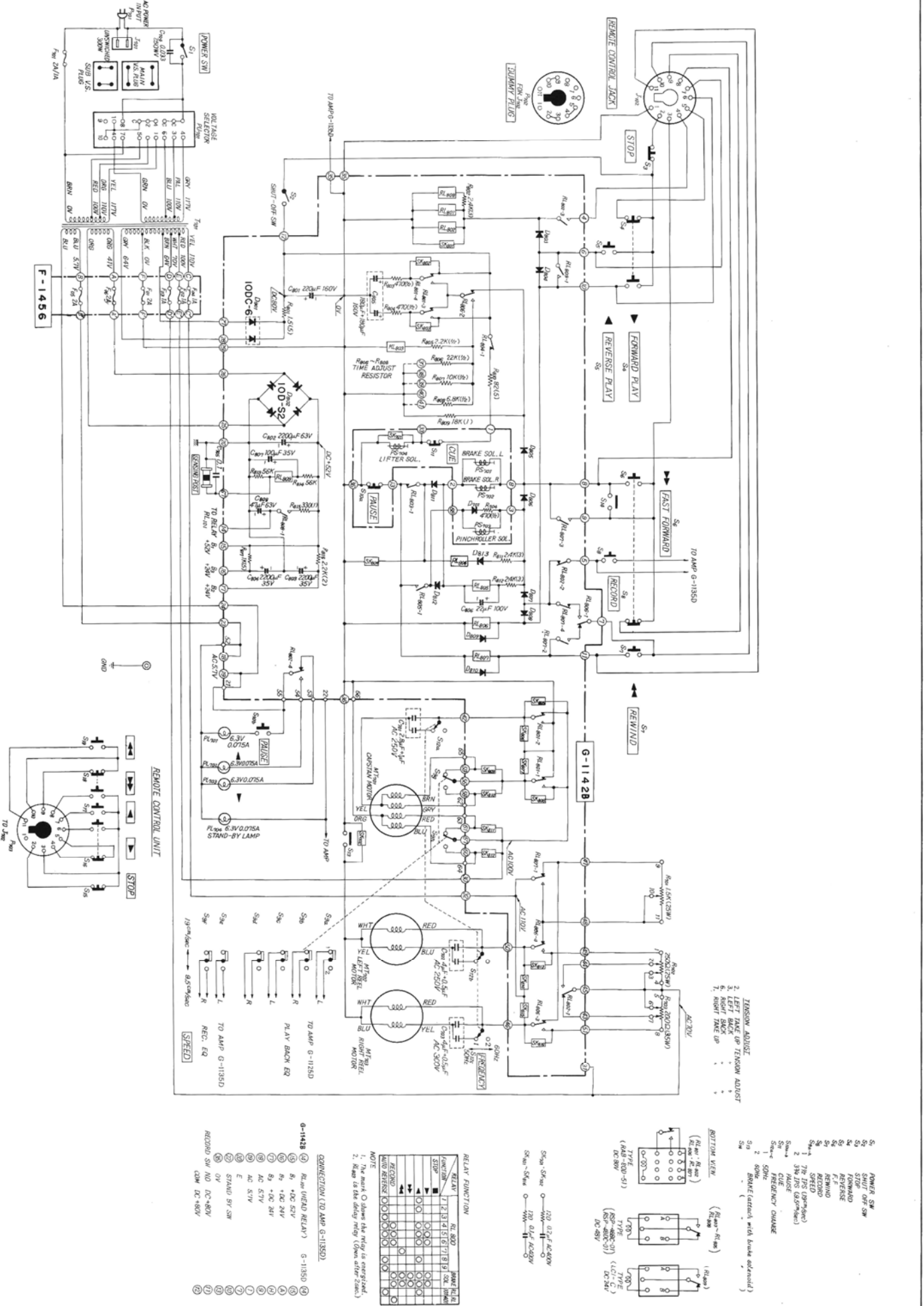
INPUT AND OUTPUT LEVEL

INPUT TERMINAL	INPUT	OUTPUT
2-CH LINE	70mV	0.47V (0VU=0.3V)
2-CH DIN	14mV	0.47V (0VU=0.3V)
MIC	0.5mV	
4-CH LINE	70mV	0.47V (0VU=0.3V)

Memo for Replacement Part by Modification or Improvement

Modified Circuit or Section	Date	Reason for Modification	Replaced Part No.	Stock No.	Name of the Original Part

SANSUI SD-5050 SCHEMATIC DIAGRAM OF CONTROL SECTION



- REVISION LIST
- 1. REVISION ADJUST
 - 2. LEFT BACK (P) TENSION ADJUST
 - 3. RIGHT BACK
 - 4. RIGHT TAKE UP

- RELAY FUNCTION
- | RELAY | RELAY NO. | RELAY FUNCTION |
|----------|-----------|----------------|
| RELAY-1 | 1 | STOP |
| RELAY-2 | 2 | REVERSE PLAY |
| RELAY-3 | 3 | RECORD |
| RELAY-4 | 4 | FAST FORWARD |
| RELAY-5 | 5 | REWIND |
| RELAY-6 | 6 | STOP |
| RELAY-7 | 7 | STOP |
| RELAY-8 | 8 | STOP |
| RELAY-9 | 9 | STOP |
| RELAY-10 | 10 | STOP |
| RELAY-11 | 11 | STOP |
| RELAY-12 | 12 | STOP |
| RELAY-13 | 13 | STOP |
| RELAY-14 | 14 | STOP |
| RELAY-15 | 15 | STOP |
| RELAY-16 | 16 | STOP |
| RELAY-17 | 17 | STOP |
| RELAY-18 | 18 | STOP |
| RELAY-19 | 19 | STOP |
| RELAY-20 | 20 | STOP |
| RELAY-21 | 21 | STOP |
| RELAY-22 | 22 | STOP |
| RELAY-23 | 23 | STOP |
| RELAY-24 | 24 | STOP |
| RELAY-25 | 25 | STOP |
| RELAY-26 | 26 | STOP |
| RELAY-27 | 27 | STOP |
| RELAY-28 | 28 | STOP |
| RELAY-29 | 29 | STOP |
| RELAY-30 | 30 | STOP |
| RELAY-31 | 31 | STOP |
| RELAY-32 | 32 | STOP |
| RELAY-33 | 33 | STOP |
| RELAY-34 | 34 | STOP |
| RELAY-35 | 35 | STOP |
| RELAY-36 | 36 | STOP |
| RELAY-37 | 37 | STOP |
| RELAY-38 | 38 | STOP |
| RELAY-39 | 39 | STOP |
| RELAY-40 | 40 | STOP |
| RELAY-41 | 41 | STOP |
| RELAY-42 | 42 | STOP |
| RELAY-43 | 43 | STOP |
| RELAY-44 | 44 | STOP |
| RELAY-45 | 45 | STOP |
| RELAY-46 | 46 | STOP |
| RELAY-47 | 47 | STOP |
| RELAY-48 | 48 | STOP |
| RELAY-49 | 49 | STOP |
| RELAY-50 | 50 | STOP |

* Design and specification subject to change without notice for improvements.