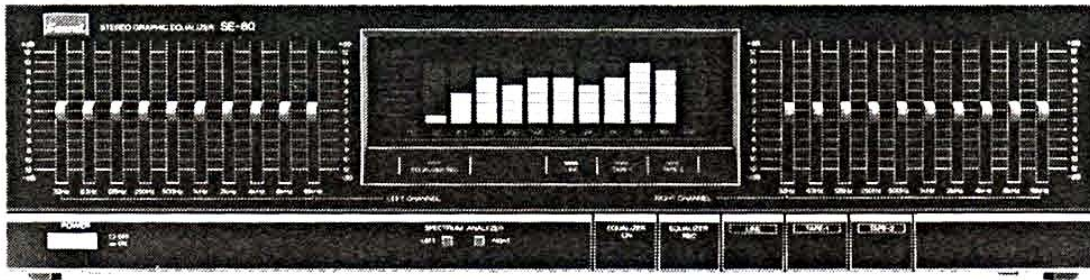


SERVICE MANUAL

STEREO GRAPHIC EQUALIZER

SANSUI SE-80/800



CAUTION

1. Parts identified by the \triangle symbol on the schematic diagram and the parts list are critical for safety. Use only replacement parts that have critical characteristics recommended by the manufacturer.
2. Make leakage-current or resistance measurements to determine that exposed parts are acceptably insulated from the supply circuit before returning the appliance to the customer.

Sansui

SANSUI ELECTRIC CO., LTD.

•SPECIFICATIONS

SE-80

Input sensitivity and impedance (1 kHz)
INPUT, TAPE PLAY-1,2 150mV/47 kohms

Output level and impedance (1 kHz)
TAPE REC-1,2 150mV/4.7 kohms
OUTPUT 150mV/4.7 kohms
(Maximum output level: 5V into 47 kohms at 0.5% total harmonic distortion)

Total harmonic distortion (2V, 20 Hz to 20 kHz)
INPUT, TAPE PLAY-1,2 0.008%

Frequency response
(at 0.5V, Equalizer controls: "0" position)
INPUT, TAPE PLAY-1,2 10 Hz to 100 kHz,
+0 dB, -1.0 dB

Signal to noise ratio (Short-circuit, A-network)
INPUT, TAPE PLAY-1,2 110 dB

Equalizer frequency 32 Hz, 63 Hz, 125 Hz,
250 Hz, 500 Hz, 1 kHz,
2 kHz, 4 kHz, 8 kHz,
16 kHz,

Level variation range ± 12 dB

Others

Power voltage 120, 220, 240 V
(50/60 Hz)
For U.S.A. and Canada 120 V (60 Hz)

Power consumption 17 watts

Dimensions 430 mm (16-15/16") (W)
112 mm (4-7/16") (H)
223 mm (8-13/16") (D)

Weight 3.3 kg (7.3 lbs) net
4.25 kg (9.4 lbs) packed

SE-800

Input sensitivity and impedance (1 kHz)
INPUT, TAPE PLAY 150mV/47 kohms

Output level and impedance (1 kHz)
TAPE REC 150mV/4.7 kohms
OUTPUT 150mV/4.7 kohms
(Maximum output level: 5V into 47 kohms at 0.5% total harmonic distortion)

Total harmonic distortion (2V, 20 Hz to 20 kHz)
INPUT, TAPE PLAY 0.008%

Frequency response
(at 0.5V, Equalizer controls: "0" position)
INPUT, TAPE PLAY 10 Hz to 100 kHz,
+0 dB, -1.0 dB

Signal to noise ratio (Short-circuit, A-network)
INPUT, TAPE PLAY 110 dB

Equalizer frequency 32 Hz, 63 Hz, 125 Hz,
250 Hz, 500 Hz, 1 kHz,
2 kHz, 4 kHz, 8 kHz, 16 kHz,

Level variation range ± 12 dB

Others

Power voltage 120, 220, 240 V
(50/60 Hz)
For U.S.A. and Canada 120 V (60 Hz)

Power consumption 17 watts

Dimensions 430 mm (16-15/16") (W)
112 mm (4-7/16") (H)
223 mm (8-13/16") (D)

Weight 3.1 kg (6.8 lbs) net
4.05 kg (8.9 lbs) packed

- * Design and specifications subject to change without notice for improvements.
- * Due to local laws and regulations, this unit sold in some areas are not equipped with variable voltage selectors.

CAUTION

1. The symbols, UL, CSA, SA, BS, UK, EU, AS and XX on the parts list and the schematic diagram mean followings respectively.

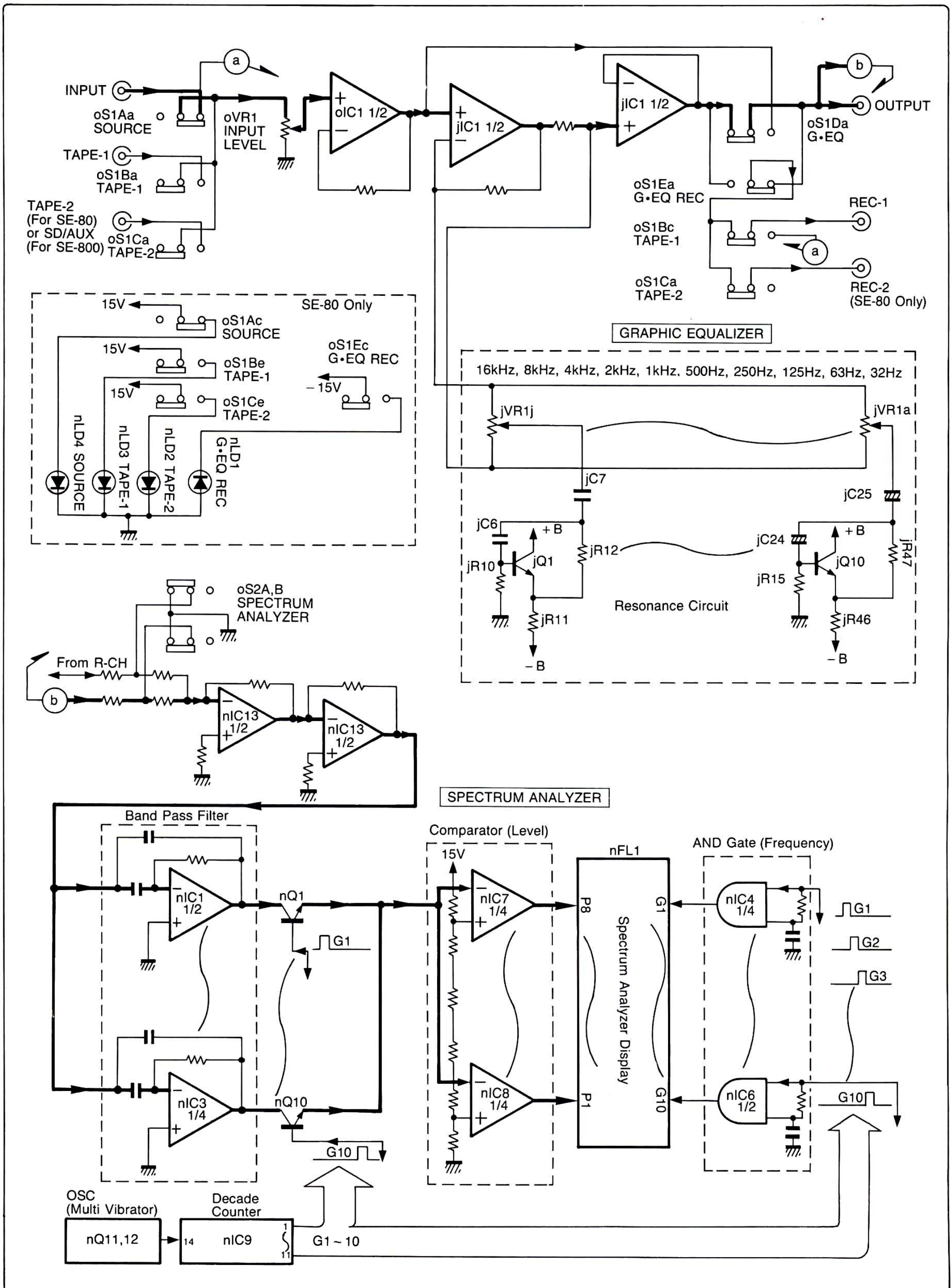
UL..... Manufactured for U.S.A market.
(Underwriters Laboratories approved model.)
CSA Manufactured for Canadian market.
SA..... Manufactured for South African market.
BS, UK Manufactured for United Kingdom market.
EU Manufactured for European market.
AS..... Manufactured for Australian market.
XX..... Standard Version.
NON MARK Common Parts.

2. Some printed circuit boards are not supplied as the assembled. To separate these in this service manual, the stock No's are not indicated at the ends of the board names. However, the individual parts on the circuit boards are provided by orders.
3. Since some of capacitors and resistors are omitted from parts lists in this service manual, refer to the Common Parts List for capacitors & resistors, which was issued on February 1983.
4. Abbreviations in this service manual are as follows.

•Abbreviations List

C.R.	: Carbon Resistor	E.B.L.	: Low Leak Bi-Polar Electrolytic Capacitor
S.R.	: Solid Resistor		
Ce.R.	: Cement Resistor	Ta.C.	: Tantalum Capacitor
M.R.	: Metal Film Resistor	F.C.	: Film Capacitor
F.R.	: Fusing Resistor	M.P.	: Metalized Paper Capacitor
N.I.R.	: Non-Inflammable Resistor	P.C.	: Polystyrene Capacitor
A.R.	: Array Resistor	G.C.	: Gimmic Capacitor
C.C.	: Ceramic Capacitor	A.C.	: Array Capacitor
C.T.	: Ceramic Capacitor, Temperature Compensation	V.R.	: Variable Resistor
E.C.	: Electrolytic Capacitor	S.V.R.	: Semi Variable Resistor
E.L.	: Low Leak Electrolytic Capacitor	SW.	: Switch
E.B.	: Bi-Polar Electrolytic Capacitor	Chip R.	: Chip Resistor
		Chip C.	: Chip Capacitor

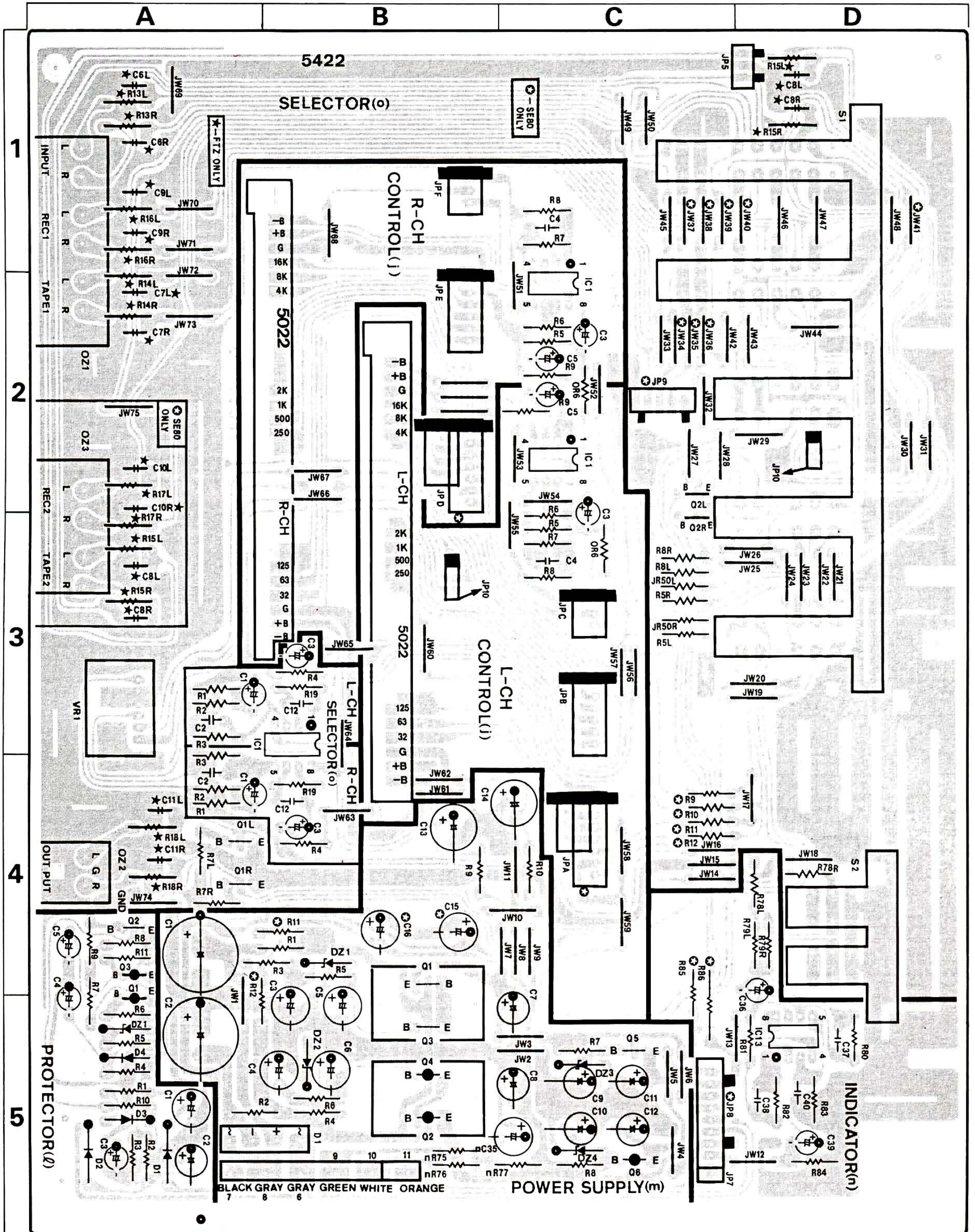
1. BLOCK DIAGRAM



2. PARTS LOCATION & PARTS LIST

2-1. F-5422 Mother Board (Stock No. 00977501 = SE-80/Stock No. 00995301 = SE-800)

Component Side



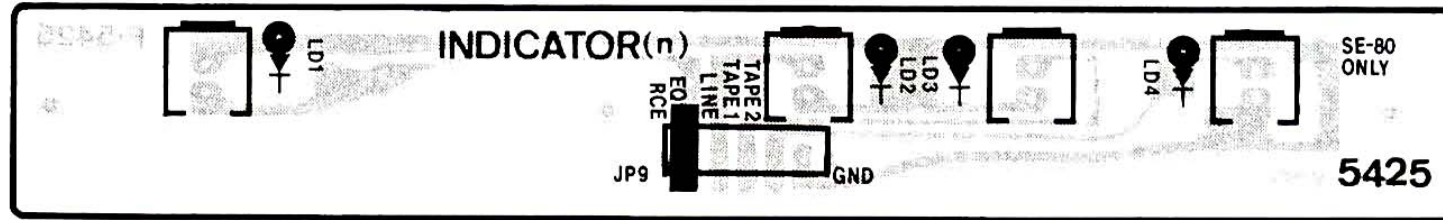
Parts List

Parts No.	Stock No.	Description
•IC		
jIC1	48509700	M5219P
•Transistor		
IQ1	46367001	2SA1115
or 46367201		2SA1048
IQ2	46367101	2SC2603
or 46367301		2SC2458
IQ3	46367001	2SA1115
or 46367201		2SA1048
•Diode		
ID1	03117700	10E-2
ID2	03117700	10E-2
ID3	03117600	1S2473T77
or 46086000		1S1588TP-3
ID4	03117600	1S2473T77
or 46086000		1S1588TP-3
•Zener Diode		
IDZ1	46111800	05Z6.2-Y
•Transistor		
△mQ1	03083901	2SD313HP
or 46546701		2SD880
or 48073601		2SD1061
△mQ2	48063301	2SB507
or 48064601		2SB825
mQ3	46188701	2SC1815
or 46367101		2SC2603
or 46367301		2SC2458
or 46367501		2SC 945A
or 46577801		2SC2320L
mQ4	46188601	2SA1015
or 46367001		2SA1115
or 46367201		2SA1048
or 46367401		2SA733A
mQ5	07206401	2SD600K
or 46149401		2SD794
mQ6	07206301	2SB631K
or 46149301		2SB744
or 46170101		2SB764

Parts No.	Stock No.	Description
•Diode		
△mD1	03117000	RB152-LFF
•Zener Diode		
mDZ1	46115400	05Z20-Y
mDZ2	46115400	05Z20-Y
mDZ3	46114500	05Z15-Y
mDZ4	46114500	05Z15-Y
△mR1	46227400	4.7Ω 1/2W N.I.R.
△mR2	46227400	4.7Ω 1/2W N.I.R.
△mR9	46227800	10Ω 1/2W N.I.R.
△mR10	46227800	10Ω 1/2W N.I.R.
△mR11	46682900	220Ω 1/4W F.R.
△mR12	46682900	220Ω 1/4W F.R.
•IC		
nIC13	03607700	NJM4558D
or 46580100		M5218P
•Transistor		
oQ1	46604301	2SC3327
oQ2	46604301	2SC3327
•IC		
oIC1	48509700	M5219P
oVR1	48576500	100kΩ V.R., INPUT LEVEL
oS1	48517400	Push SW., EQUALIZER ON• EQUALIZER REC•LINE•TAPE-1• TAPE-2 (SE-80)
	48517500	Push SW., EQUALIZER• EQUALIZER REC• INPUT SELECTOR (SE-800)
oS2	48517600	Push SW., SPECTRUM ANALYZER
oZ1	48528300	6P Terminal, INPUT, TAPE
oZ2	48528400	2P Terminal, OUTPUT
oZ3	48528200	4P Terminal, TAPE-2

2-2. F-5425 Indicator Board (SE-80 only)

Component Side

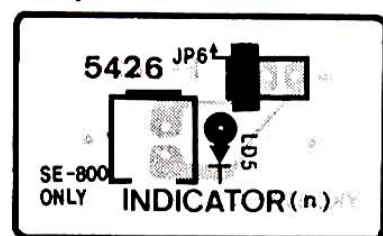


Parts List

Parts No.	Stock No.	Description
•LED		
nLD1	46169300	SEL1210S
nLD2	46174000	SLP-470C
nLD3	46174000	SLP-470C
nLD4	46174000	SLP-470C

2-3. F-5426 Power Indicator Board (SE-800 only)

Component Side

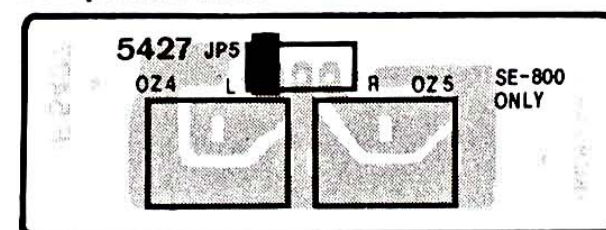


Parts List

Parts No.	Stock No.	Description
•LED		
nLD5	46169300	SEL-1210S

2-4. F-5427 CD/AUX Input Jack Board (SE-800 only)

Component Side

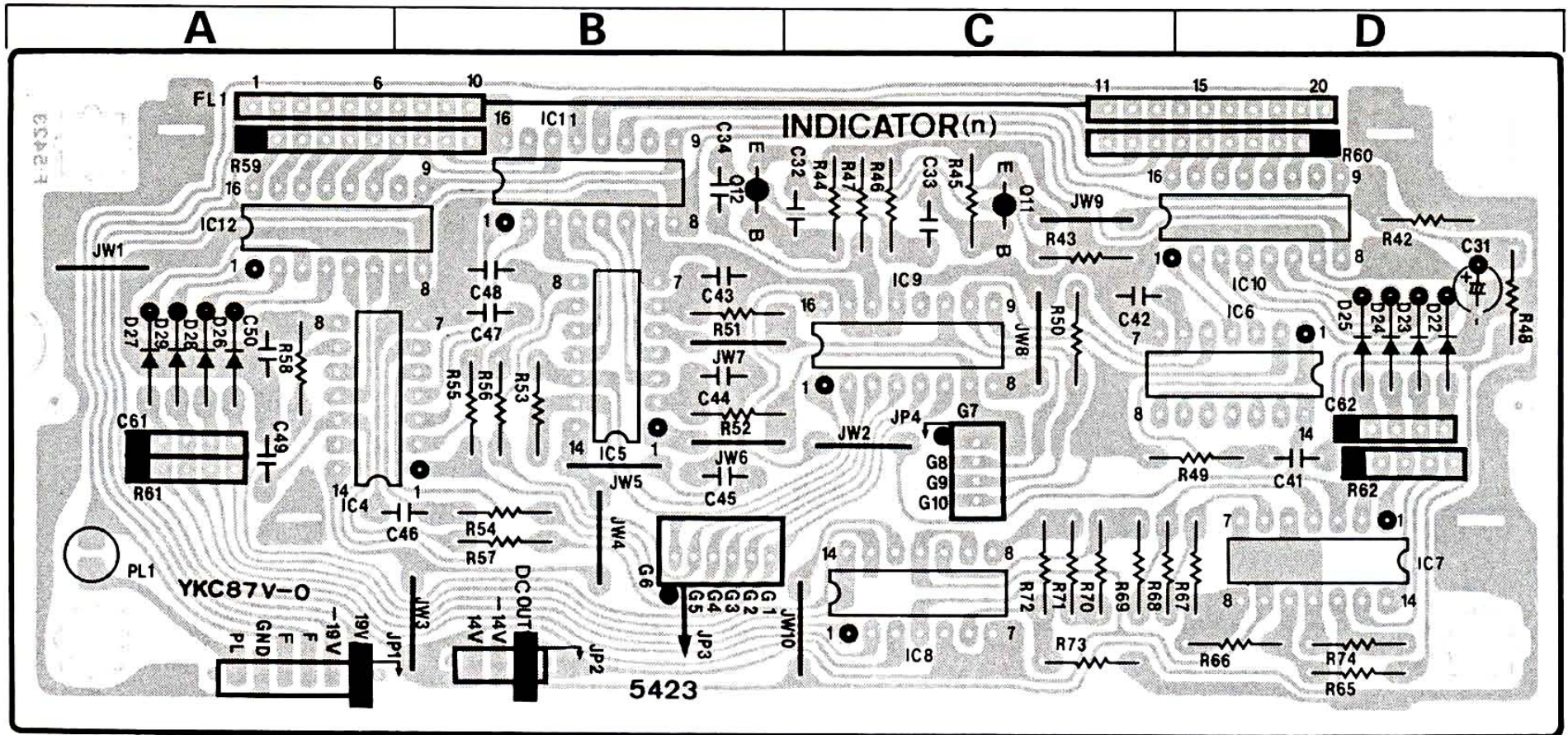


Parts List

Parts No.	Stock No.	Description
	48517700	1P Pin Jack (Red), INPUT RIGHT
	48345300	1P Pin Jack (White), INPUT LEFT

2-5. F-5423 Spectrum Analyzer Display Board (Stock No. 00977701 = SE-80/Stock No. 00995401 = SE-800)

Component Side

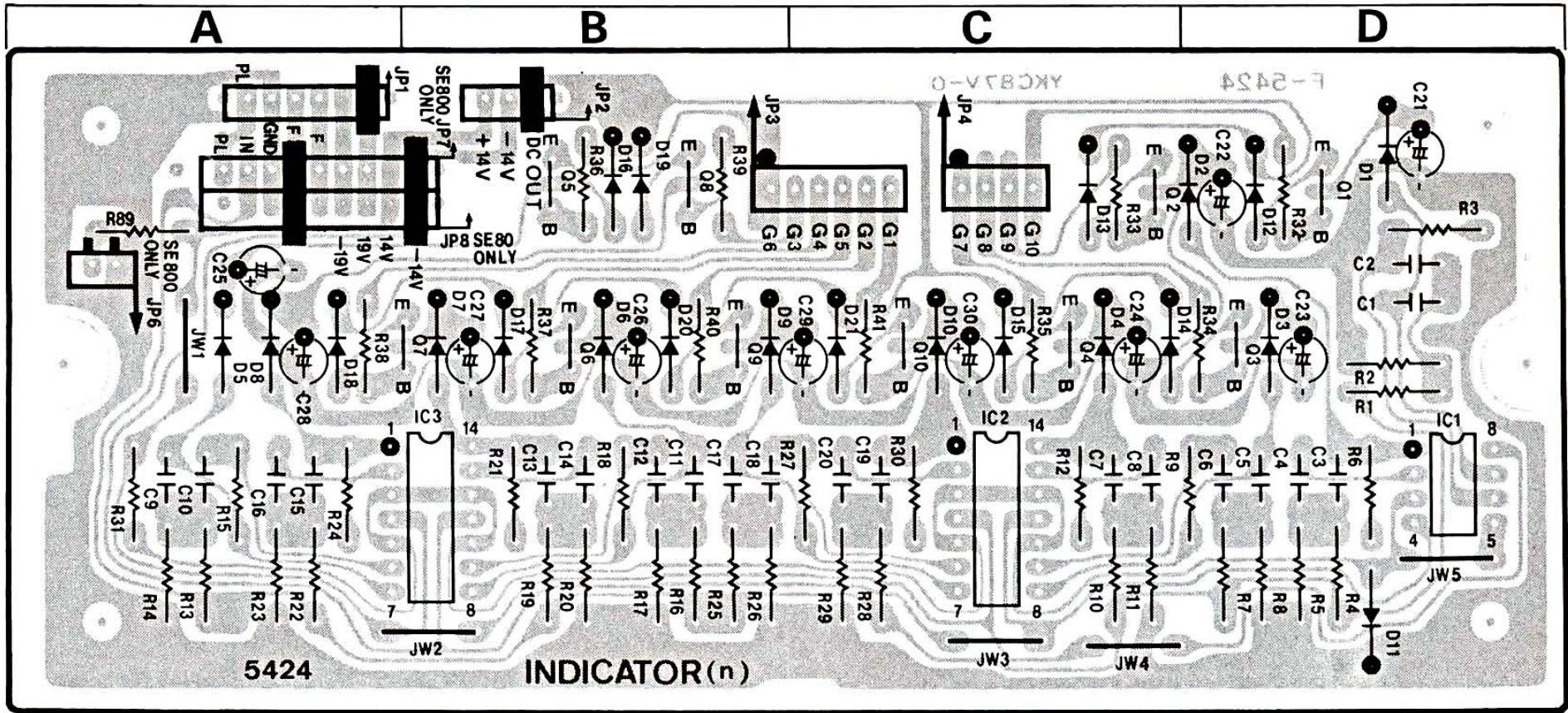


Parts List

Parts No.	Stock No.	Description	Parts No.	Stock No.	Description
• Transistor			nD23	03117600	1S2473T77
nQ11	46367001	2SA1115	or 46086000		1S1588TP-3
	or 46367201	2SA1048	nD24	03117600	1S2473T77
nQ12	46367001	2SA1115	or 46086000		1S1588TP-3
	or 46367201	2SA1048	nD25	03117600	1S2473T77
• IC			or 46086000		1S1588TP-3
nIC4	07245800	TC4081BP	nD26	03117600	1S2473T77
nIC5	07245800	TC4081BP	or 46086000		1S1588TP-3
nIC6	07205300	NJM2901N	nD27	03117600	1S2473T77
	or 07245800	TC4081BP	or 46086000		1S1588TP-3
nIC7	07205300	NJM2901N	nD28	03117600	1S2473T77
	or 07246300	MB4204M	or 46086000		1S1588TP-3
	or 46727100	M51209P	nD29	03117600	1S2473T77
nIC8	07205300	NJM2901N	or 46086000		1S1588TP-3
	or 07246300	MB4204M	nFL1	48509900	FL. Display Tube FG80SD1
	or 46727100	M51209P	nR59	48509800	100kΩX9 A.R.
nIC9	07205400	MSM4017RS	nR60	48509800	100kΩX9 A.R.
	or 46727200	M4017BP	nR61	46342700	47kΩX4 1/8W A.R.
nIC10	48509600	IR2C06	nR62	46342700	47kΩX4 1/8W A.R.
nIC11	48509600	IR2C06	nC61	46261300	220pF X4 50V A.C.
nIC12	48509600	IR2C06	nC62	46261300	220pF X4 50V A.C.
• Diode			nPL1	48191900	Pilot Lamp 12V 0.15A, SPECTRUM ANALYZER (SE-800 only)
nD22	03117600	1S2473T77			
	or 46086000	1S1588TP-3			

2-6. F-5424 Band Pass Filter Board (Stock No. 00977801 = SE-80/Stock No. 00995501 = SE-800)

Component Side

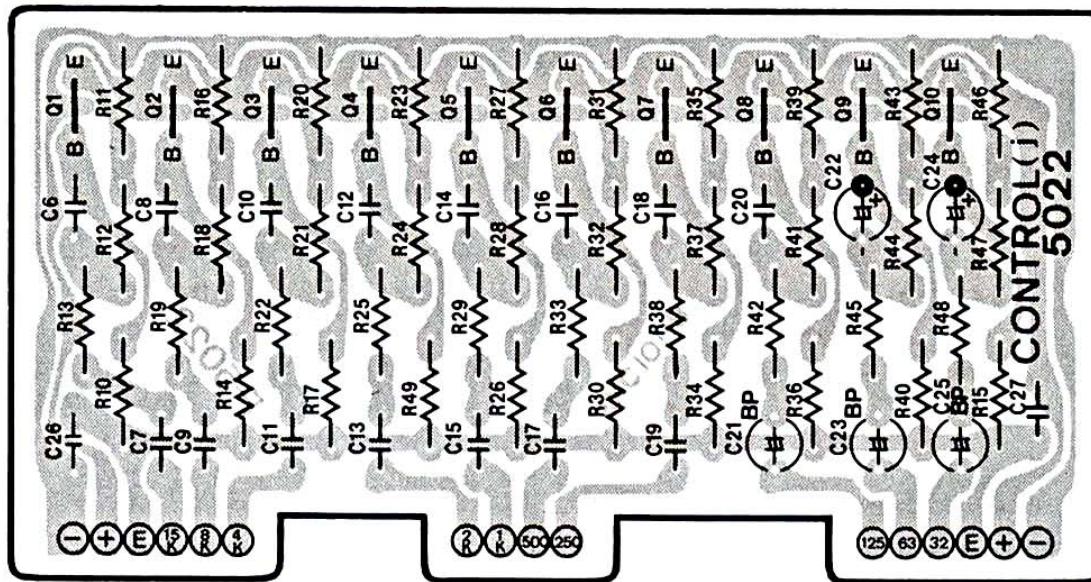


Parts List

Parts No.	Stock No.	Description	Parts No.	Stock No.	Description
•Transistor					
nQ1	46367101	2SC2603	nD3	03117600	1S2473T77
	or 46367301	2SC2458		or 46086000	1S1588TP-3
nQ2	46367101	2SC2603	nD4	03117600	1S2473T77
	or 46367301	2SC2458		or 46086000	1S1588TP-3
nQ3	46367101	2SC2603	nD5	03117600	1S2473T77
	or 46367301	2SC2458		or 46086000	1S1588TP-3
nQ4	46367101	2SC2603	nD6	03117600	1S2473T77
	or 46367301	2SC2458		or 46086000	1S1588TP-3
nQ5	46367101	2SC2603	nD7	03117600	1S2473T77
	or 46367301	2SC2458		or 46086000	1S1588TP-3
nQ6	46367101	2SC2603	nD8	03117600	1S2473T77
	or 46367301	2SC2458		or 46086000	1S1588TP-3
nQ7	46367101	2SC2603	nD9	03117600	1S2473T77
	or 46367301	2SC2458		or 46086000	1S1588TP-3
nQ8	46367101	2SC2603	nD10	03117600	1S2473T77
	or 46367301	2SC2458		or 46086000	1S1588TP-3
nQ9	46367101	2SC2603	nD11	03117600	1S2473T77
	or 46367301	2SC2458		or 46086000	1S1588TP-3
nQ10	46367101	2SC2603	nD12	03117600	1S2473T77
	or 46367301	2SC2458		or 46086000	1S1588TP-3
			nD13	03117600	1S2473T77
				or 46086000	1S1588TP-3
•IC					
nIC1	03607700	NJM4558D	nD14	03117600	1S2473T77
	or 03613800	NJM4559D		or 46086000	1S1588TP-3
	or 07265800	MB3607M	nD15	03117600	1S2473T77
	or 46580100	M5218P		or 46086000	1S1588TP-3
	or 46834000	NJM4560D	nD16	03117600	1S2473T77
nIC2	07205200	NJM2902N		or 46086000	1S1588TP-3
	or 07258300	MB3614M	nD17	03117600	1S2473T77
	or 46500800	NJM2058D		or 46086000	1S1588TP-3
nIC3	07205200	NJM2902N	nD18	03117600	1S2473T77
	or 07258300	MB3614M		or 46086000	1S1588TP-3
	or 46500800	NJM2058D	nD19	03117600	1S2473T77
				or 46086000	1S1588TP-3
•Diode					
nD1	03117600	1S2473T77	nD20	03117600	1S2473T77
	or 46086000	1S1588TP-3		or 46086000	1S1588TP-3
nD2	03117600	1S2473T77	nD21	03117600	1S2473T77
	or 46086000	1S1588TP-3		or 46086000	1S1588TP-3
			△nR89	46230400	1.5kΩ 1/2W N.I.R. (SE-800 only)

2-7. F-5022 Graphic Equalizer Board (Stock No. 00977601)

Component Side



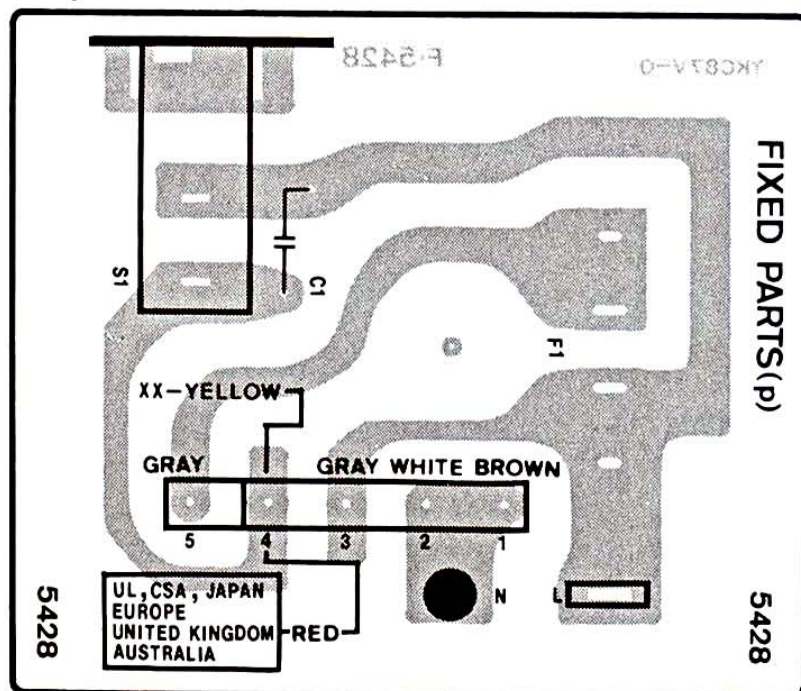
Parts List

Parts No.	Stock No.	Description
•Transistor		
jQ1	46188701	2SC1815
	or 46367101	2SC2603
	or 46367301	2SC2458
	or 46581701	2SC1845
jQ2	46188701	2SC1815
	or 46367101	2SC2603
	or 46367301	2SC2458
	or 46581701	2SC1845
jQ3	46188701	2SC1815
	or 46367101	2SC2603
	or 46367301	2SC2458
	or 46581701	2SC1845
jQ4	46188701	2SC1815
	or 46367101	2SC2603
	or 46367301	2SC2458
	or 46581701	2SC1845
jQ5	46188701	2SC1815
	or 46367101	2SC2603
	or 46367301	2SC2458
	or 46581701	2SC1845
jQ6	46188701	2SC1815
	or 46367101	2SC2603
	or 46367301	2SC2458
	or 46581701	2SC1845
jQ7	46188701	2SC1815
	or 46367101	2SC2603
	or 46367301	2SC2458
	or 46581701	2SC1845

Parts No.	Stock No.	Description
jQ8	46188701	2SC1815
	or 46367101	2SC2603
	or 46367301	2SC2458
	or 46581701	2SC1845
jQ9	46188701	2SC1815
	or 46367101	2SC2603
	or 46367301	2SC2458
	or 46581701	2SC1845
jQ10	46188701	2SC1815
	or 46367101	2SC2603
	or 46367301	2SC2458
	or 46581701	2SC1845
jC7	46282300	2700pF 50V F.C.
jC8	46282000	1500pF 50V F.C.
jC9	46531300	5600pF 50V F.C.
jC10	46282400	3300pF 50V F.C.
jC11	46283000	0.012μF 50V F.C.
jC12	46694500	5100pF 50V F.C.
jC13	46283300	0.022μF 50V F.C.
jC14	46283000	0.012μF 50V F.C.
jC15	46283700	0.047μF 50V F.C.
jC16	46283300	0.022μF 50V F.C.
jC17	46284100	0.1μF 50V F.C.
jC18	46283700	0.047μF 50V F.C.
jC19	46532100	0.18μF 50V F.C.
jC20	46697300	0.075μF 50V F.C.
jC21	48103200	0.47μF 50V E.B.
jC23	48103400	1μF 50V E.B.
jC25	48103500	2.2μF 50V E.B.

2-8. F-5428 POWER Switch Board

Component Side

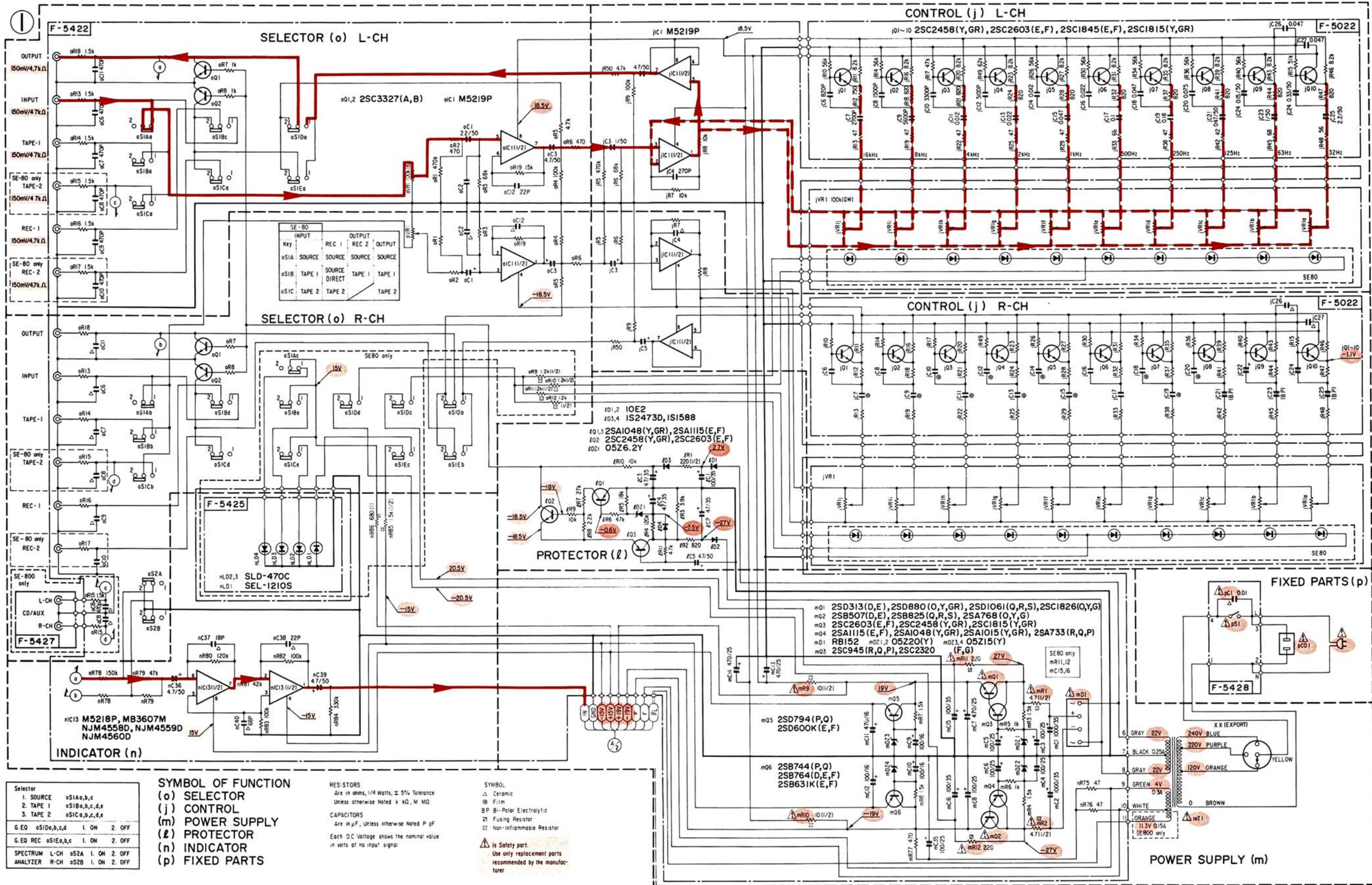


Parts List

Parts No.	Stock No.	Description
△pC1	46425800	0.01μF 400V C.C.
	or 46943200	0.01μF 400V C.C.
△pS1	46413900	Push SW., POWER (XX•UL•EU•UK•AS)
△	48065200	Push SW., POWER (CSA)

3. SCHEMATIC DIAGRAM 3-1. Graphic Equalizer Amp. Section

• Design and specifications subject to change without notice for improvement.
 • La présentation et les spécifications sont susceptibles d'être modifiées sans préavis par suites d'améliorations éventuelles.
 • Änderungen, die dem technischen Fortschritt dienen, bleiben vorbehalten.



Selector	
1. SOURCE	oS1Aa,b,c
2. TAPE 1	oS1Ba,b,c,d,e
3. TAPE 2	oS1Ca,b,c,d,e
G.E.O. oS1Da,b,c,d I. ON 2. OFF	
G.E.O. REC. oS1Ea,b,c I. ON 2. OFF	
SPECTRUM L-CH oS2A I. ON 2. OFF	
ANALYZER R-CH oS2B I. ON 2. OFF	

SYMBOL OF FUNCTION

(o) SELECTOR
 (j) CONTROL
 (m) POWER SUPPLY
 (l) PROTECTOR
 (n) INDICATOR
 (p) FIXED PARTS

RESISTORS
 Are in ohms, 1/4 Watts, ± 5% Tolerance
 Unless otherwise noted k, M, MD

CAPACITORS
 Are in μF, Unless otherwise noted P, pF
 Each D.C. Voltage shows the nominal value
 in volts at no input signal

SYMBOL

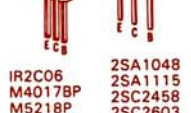
△ Ceramic
 ⊖ Film
 BP Bi-Polar Electrolytic
 Ⓜ Fusing Resistor
 □ Non-Inflammable Resistor

⚠ is Safety part.
 Use only replacement parts
 recommended by the manufacturer

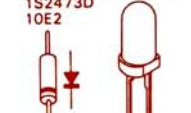
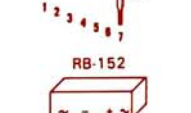
- 2SA733A
- 2SA1015
- 2SB764
- 2SC945A
- 2SC1815
- 2SC1845
- 2SC2320L
- 2SB507
- 2SB825
- 2SD313
- 2SD880
- 2SD1061



- 2SB631KF
- 2SB744
- 2SD794
- 2SD600KF
- 2SC3327



- IR2C06
- M4017BP
- M5218P
- M5219P
- M51209P
- MB3607M
- MB3614M
- MSM4017RS
- NJM2058D
- NJM2901N
- NJM2902N
- NJM4558D
- NJM4559D
- NJM4560D
- TC4081BP
- 2SA1048
- 2SA1115
- 2SC2458
- 2SC2603



— Signal Line
 — G. EQ Control Signal Line

1

2

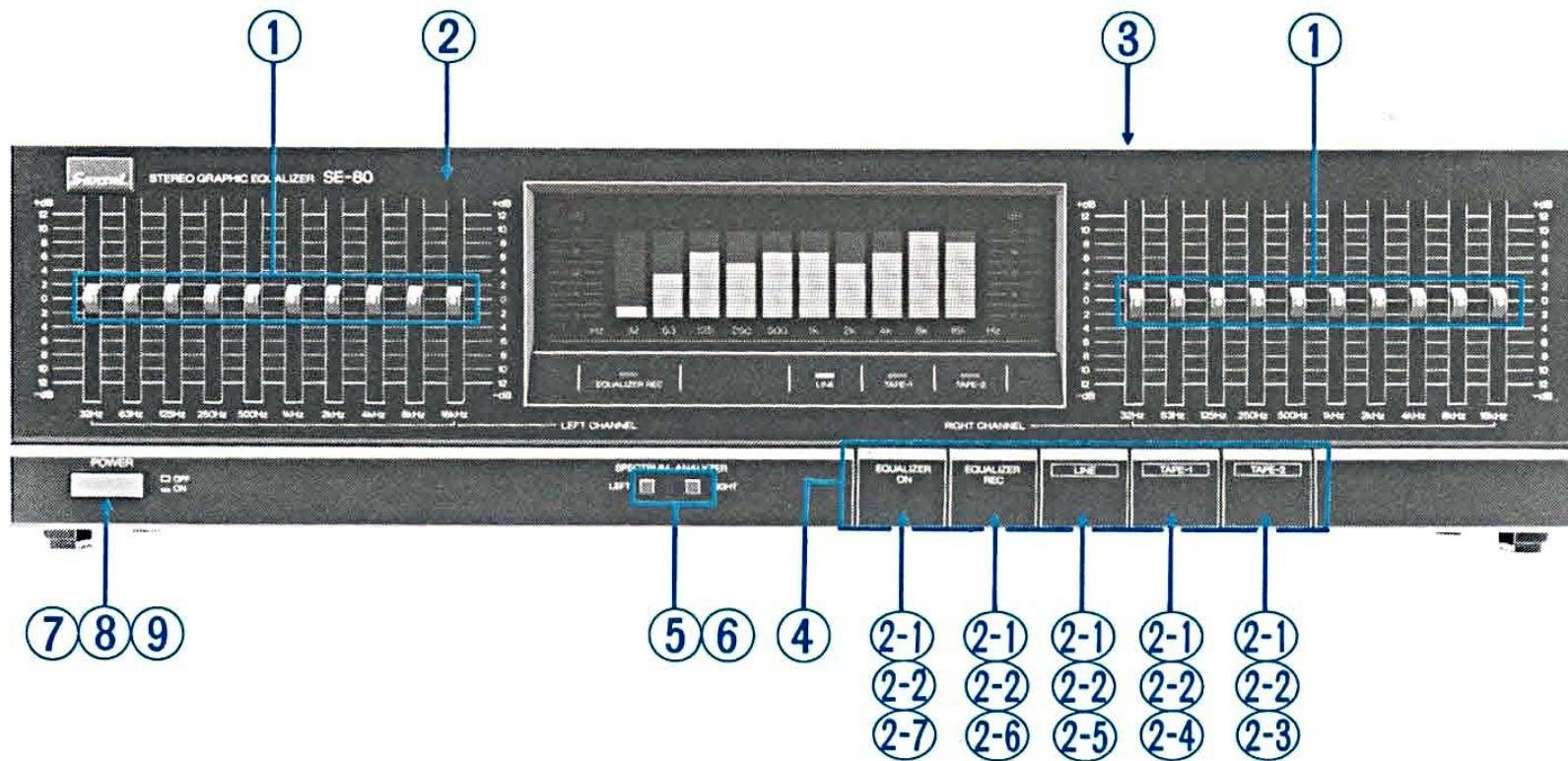
3

4

5

4. OTHER PARTS

4-1. Front View for SE-80

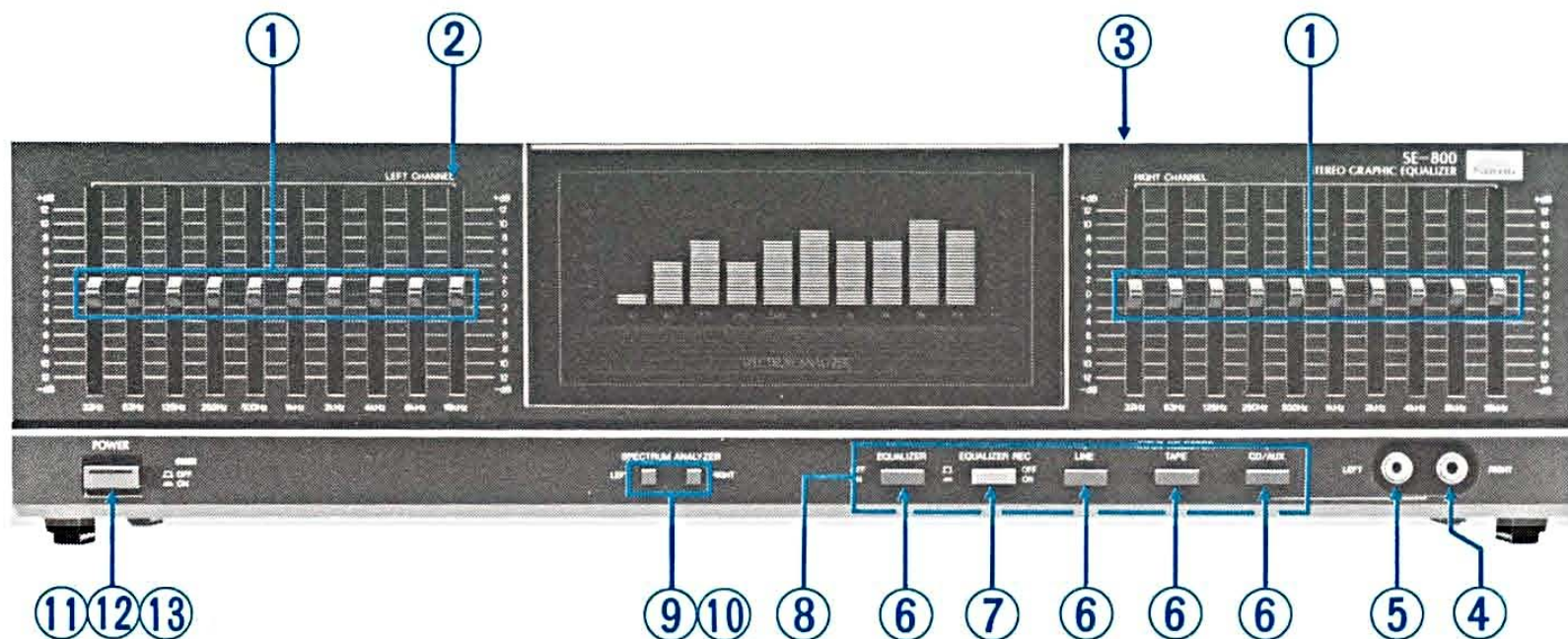


Parts List <SE-80>

Parts No.	Stock No.	Description
1	27201700	Slide VR. Knob Ass'y
2	27215000	Front Panel Ass'y (XX·CSA·EU·UK·AS)
	27267300	Front Panel Ass'y (UL)
2-1	27035300	Knob Spring
2-2	27185200	Selector Knob
2-3	27185900	Selector Cap TAPE-2
2-4	27185800	Selector Cap TAPE-1
2-5	27185700	Selector Cap LINE
2-6	27185600	Selector Cap EQUALIZER REC
2-7	27185500	Selector Cap EQUALIZER ON
3	27203000	Bonnet

Parts No.	Stock No.	Description
4	48517400	Push SW., EQUALIZER ON·EQUALIZER REC·LINE·TAPE-1·TAPE-2
5	07931600	Push Knob, SPECTRUM ANALYZER
6	48517600	Push SW., SPECTRUM ANALYZER
△ 7	46413900	Push SW., POWER (XX·UL·EU·UK·AS)
△ 8	48065200	Push SW., POWER (CSA)
9	27039700	Push Knob, POWER
	27224800	Joint Shaft

4-2. Front View for SE-800

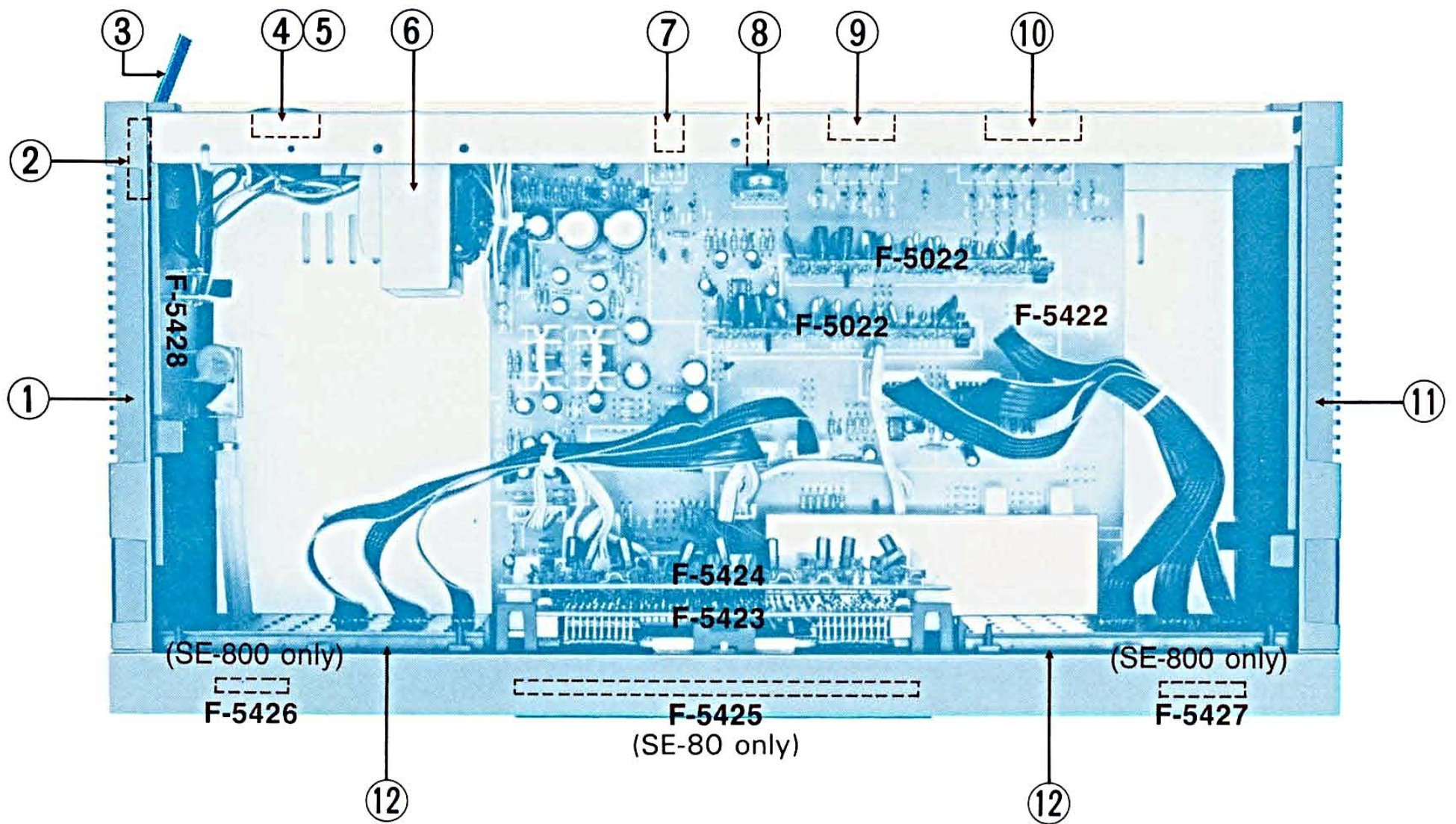


Parts List <SE-800>

Parts No.	Stock No.	Description
1	27201500	Slide VR. Knob, EQUALIZER
	27203100	Front Panel Ass'y (XX·CSA·EU·UK·AS)
2	27267200	Front Panel Ass'y (UL)
3	27203000	Bonnet
4	48517700	1P Pin Jack, INPUT RIGHT
5	48345300	1P Pin Jack, INPUT LEFT
6	27198600	Push Knob, INPUT SELECTOR EQUALIZER
7	27198700	Push Knob, EQUALIZER REC
△ 8	48517500	Push SW., EQUALIZER·EQUALIZER REC·INPUT SELECTOR

Parts No.	Stock No.	Description
9	07931600	Push Knob, SPECTRUM ANALYZER
10	48517600	Push SW., SPECTRUM ANALYZER
11	47747100	Push Knob, POWER
△ 12	46413900	Push SW., POWER (XX·UL·EU·UK·AS)
△ 13	48065200	Push SW., POWER (CSA)
	27224800	Joint Shaft

4-3. Top View

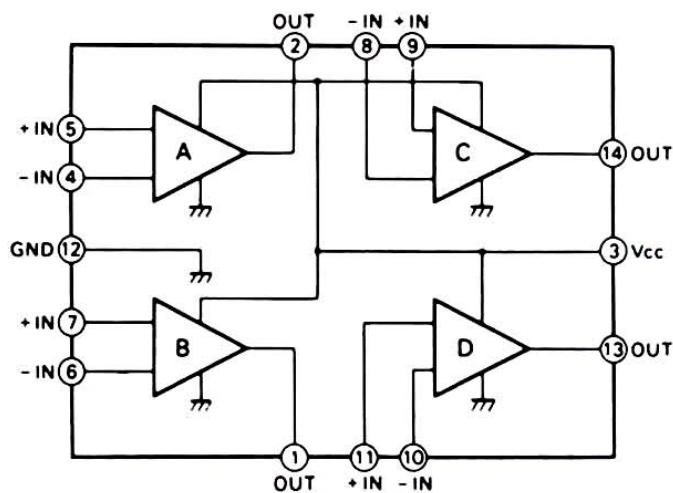


Parts List

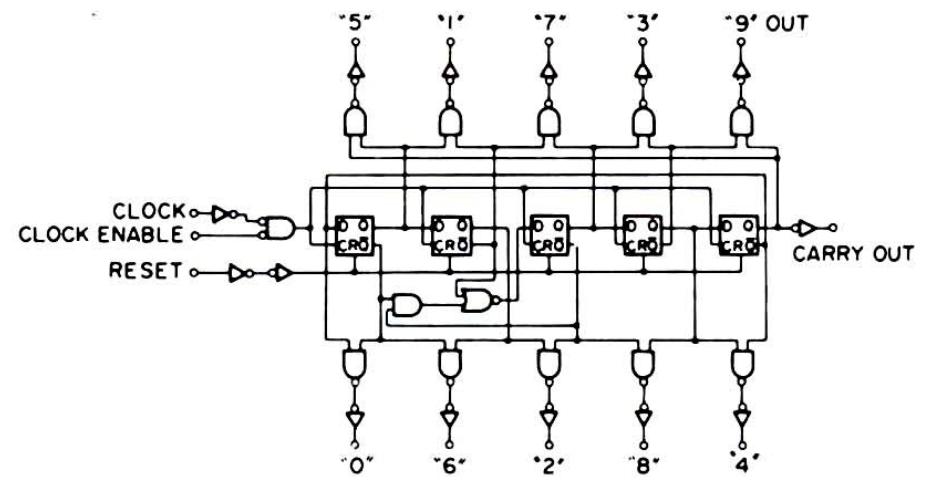
Parts No.	Stock No.	Description
1	47874900	Side Panel Ass'y (Left)
2	47770900	AC Cord Cover
⚠ 3	38004700	Power Supply Cord <XX>
⚠	48187500	Power Supply Cord <UL-CSA>
⚠	38004500	Power Supply Cord <EU>
⚠	38004300	Power Supply Cord <UK>
⚠	07204200	Power Supply Cord <AS>
⚠ 4	46364900	AC Outlet <XX>
⚠	48184000	AC Outlet <UL-CSA>
⚠	46161000	AC Outlet <EU>
⚠	46364800	AC Outlet <UK>
⚠	46580600	AC Outlet <AS>
⚠ 5	48175200	Plug, VOLTAGE SELECTOR <XX>
⚠	07204700	Slide SW., VOLTAGE SELECTOR <EU-UK-AS>
⚠ 6	15026109	Power Transformer with Voltage Selector Socket <XX> (SE-80 only)
⚠	15026102	Power Transformer <UL-CSA> (SE-80 only)
⚠	15026105	Power Transformer <EU-UK-AS> (SE-80 only)
⚠	15026909	Power Transformer with Voltage Selector Socket <XX> (SE-800 only)
⚠	15026902	Power Transformer <UL-CSA> (SE-800 only)
⚠	15026905	Power Transformer <EU-UK-AS> (SE-800 only)
7	48528400	2P Terminal, OUTPUT
8	48576500	100k Ω V.R., INPUT LEVEL
9	48528200	4P Terminal, TAPE-2 (SE-80 only)
10	48528300	6P Terminal, INPUT, TAPE
11	47874810	Side Panel Ass'y (Right)
12	48517300	100k Ω V.R. Ass'y, GRAPHIC EQUALIZER (SE-80 only)
	48517200	100k Ω V.R. Ass'y, GREAPHIC EQUALIZER (SE-800 only)

5. INTERIOR BLOCK DIAGRAM OF ICs

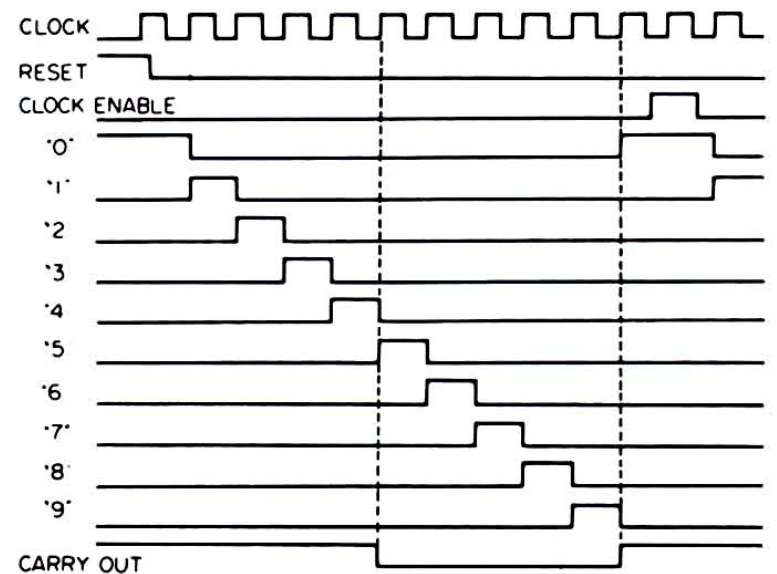
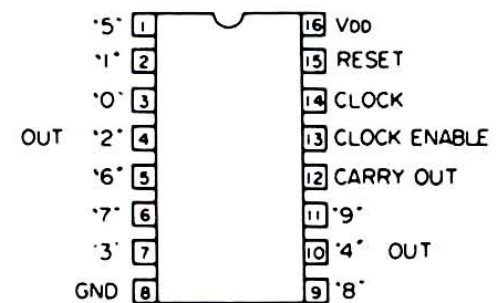
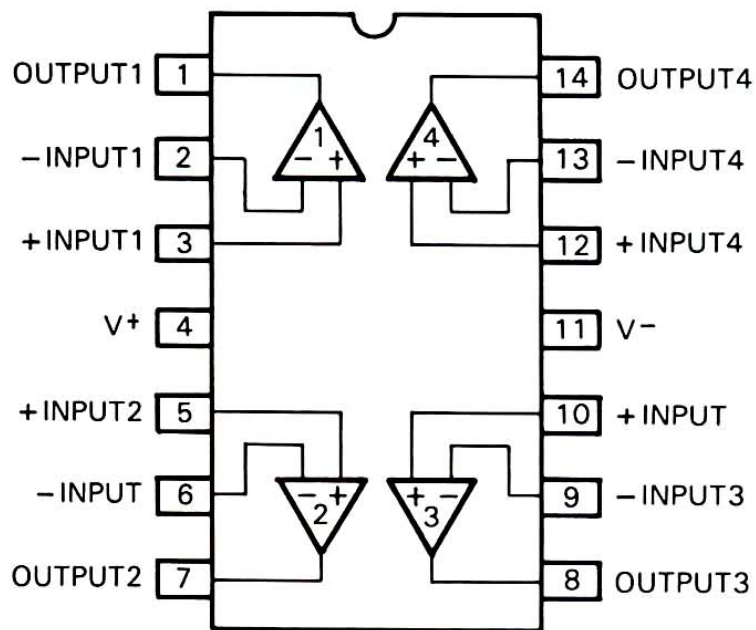
•NJM2901N, M51209P, MB4204M (Quad Comparator)



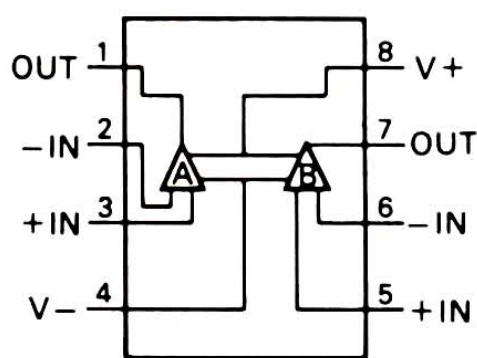
•MSM4017RS, M4017BP (Decade Counter)



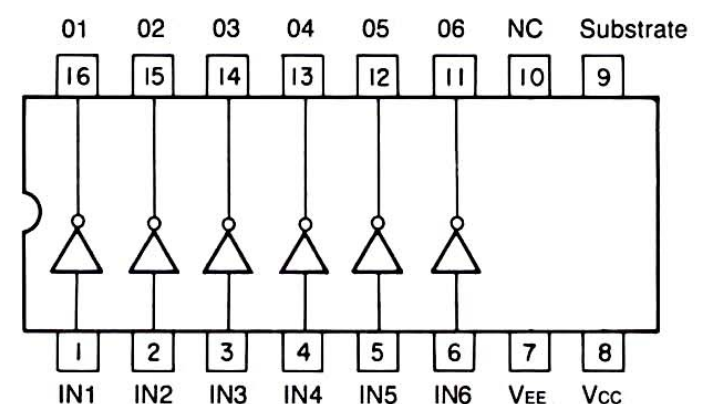
•NJM2508D, NJM2902N, MB3614M (OP Amp.)



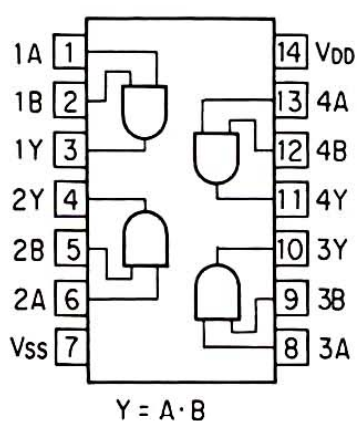
•M5218P, M5219P, NJM4558D, NJM4559D, NJM4560D, MB3607M (OP Amp.)



•IR2C06 (6 Unit Driver)

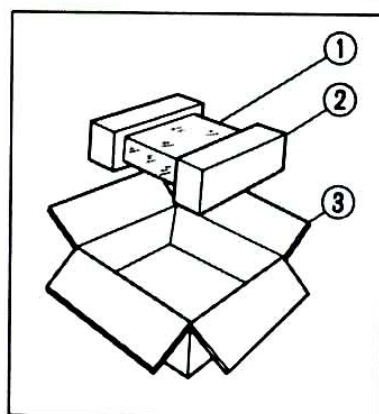


•TC4081BP (AND Gate IC)



6. PACKING LIST

Parts No.	Stock No.	Description
1	47858700	Vinyl Bag
2	27213300	Styrofoam Packing
3	27213200	Carton Case (SE-80)
	27213000	Carton Case (SE-800)



7. ACCESSORY LIST

Stock No.	Description
07193400	Pin Plug Cord
49011800	Operating Instruction (*E•F•S) (SE-80)
49011900	Operating Instruction (*G•I•Sw) (SE-80)
49011500	Operating Instruction (*E•F•S) (SE-800)
49011600	Operating Instruction (*G•I•Sw) (SE-800)

*** Note:**

E•F•S: English•French and Spanish Version
G•I•Sw: German•Italian and Swedish Version



SANSUI ELECTRIC CO., LTD.:

SANSUI ELECTRONICS CORPORATION:

SANSUI ELECTRONICS (U.K.) LTD.:
 SANSUI ELECTRONICS G.M.B.H.:

14-1, Izumi 2-chome, Suginami-ku, Tokyo 168 Japan
 PHONE: (03) 324-8891/TELEX: 232-2076 (International Division)

1250 Valley Brook Ave. Lyndhurst, N.J. 07071 U.S.A.
 17150 South Margay Ave. Carson, California 90746 U.S.A.
 3036 Koapaka Street. Honolulu, Hawaii 96819 U.S.A.

Unit 10A, Lyon Industrial Estate, Rockware Avenue, Greenford, Middx UB6, OAA, England
 Pau Ehrich Strasse 8, 6074 Rödermark 2, West Germany