



SR-3030

TABLE OF CONTENTS

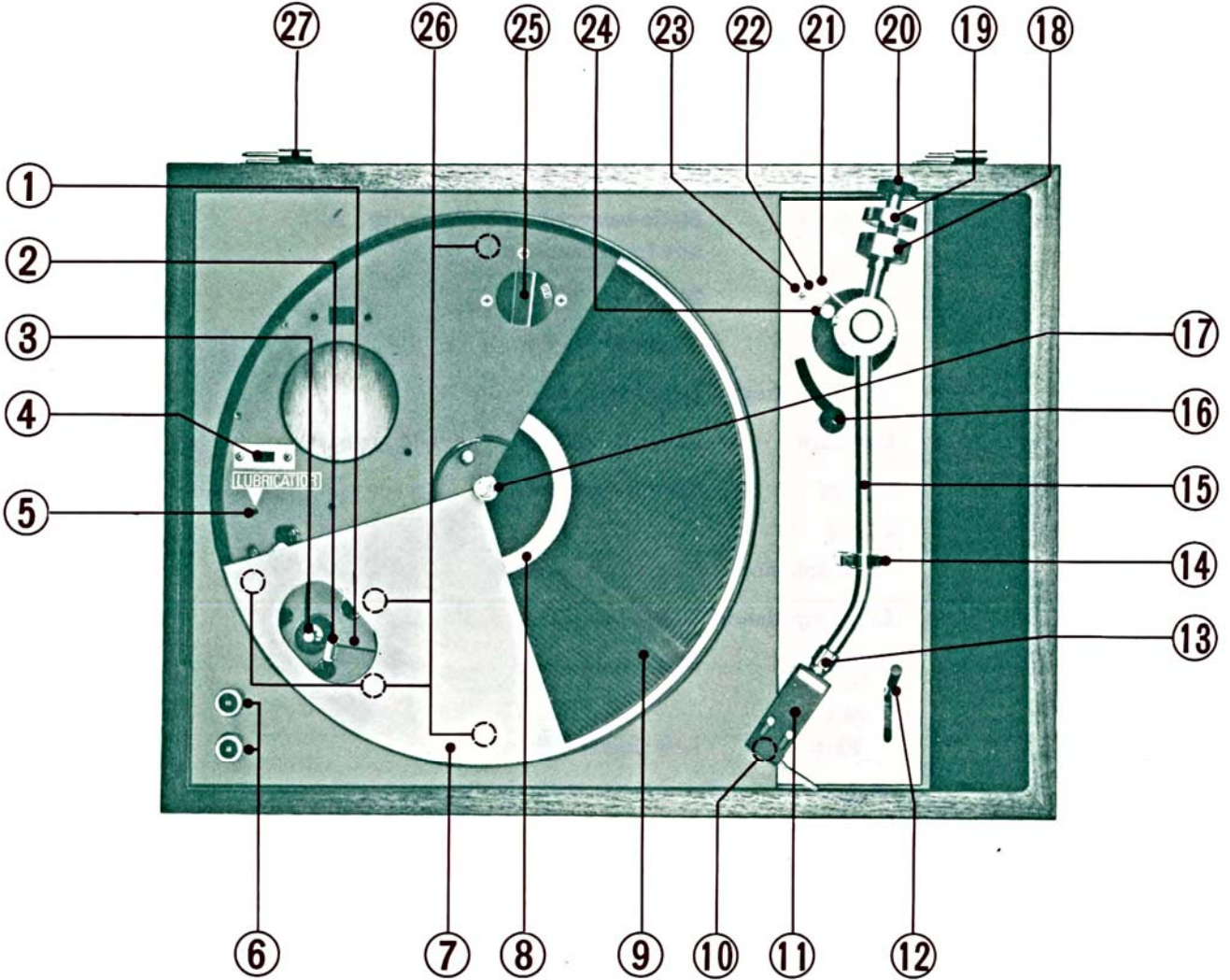
<u>Section</u>	<u>Title</u>	<u>Page</u>
1.	SPECIFICATIONS	2-1
2.	CONTROLS, INDICATORS AND OTHERS	2-2
3.	MAINTENANCE	2-3
3-1.	Changing the capstan	2-3
3-2.	Replacing the cartridge	2-3
3-3.	Oiling	2-4
3-4.	Changing the LINE voltage	2-4
4.	ADJUSTMENT	2-5
4-1.	Adjusting the stylus pressure	2-5
4-2.	Adjusting the inside force canceler	2-5
4-3.	Adjusting the arm lifter	2-5
5.	TROUBLESHOOTING	2-7
5-1.	Turntable not rotating	2-7
5-2.	No sound	2-7
5-3.	Distorted or weak sound	2-7
5-4.	Hum	2-8
5-5.	Rumble (Unusual) sound	2-8
5-6.	Incorrect speed	2-8
5-7.	Improper tracing	2-8
6.	EXPLODED VIEW & PARTS LIST	2-9
6-1.	Exploded view (1) and parts list	2-10
6-2.	Exploded view (2) and parts list	2-13
6-3.	Exploded view (3) and parts list	2-14
6-4.	Packing and accessories list	2-17

1. SPECIFICATIONS

Type:	2-speed, belt-driven manual turntable
Rated speeds:	33 ¹ / ₃ , 45 rpm
Motor:	4-pole hysteresis synchronous
Turntable (platter):	Aluminum alloy die-cast, 310mm (12 ¹³ / ₆₄ ") ϕ , 1.3 kg (2.87 lbs)
Tonearm:	Static-balanced tubular with in- side force canceler
Arm length:	246 mm (9 ¹¹ / ₁₆ ")
Overhang:	15 mm (¹⁹ / ₃₂ ")
Tracking error:	Less than $\pm 1^\circ$
Cartridge:	Induced magnet type (IM Type)
Stylus:	0.5 mil diamond
Stylus compliance:	17×10^{-6} cm/dyne
Load impedance:	50 k Ω
S/N ratio:	Better than 45 dB
Wow and Flutter:	Less than 0.09%
Frequency response:	15 \sim 20,000 Hz
Output voltage:	5 mV
Crosstalk:	Better than 30 dB at 1 kHz
Stylus pressure:	1.5 \sim 2 grams
Dust cover:	Smoked acrylic dust cover
Cabinet:	Walnut, open-pore finished
Power source:	100 V, 115 V, 130 V, 200 V, 230 V and 250 V, 50/60 Hz
Dimensions:	Width 520 mm (20 ¹⁵ / ₃₂ "), depth 375 mm (14 ⁹ / ₁₆ "), hight 178 mm (7")
Weight:	8.5 kg (18.63 lbs)

※ Manufacturer reserves a right to change design and/or specifications without notice for purpose of improvement.

2. CONTROLS, INDICATORS AND OTHERS



- | | | |
|-----------------------------|--------------------------|--------------------|
| ① Belt | ⑩ Cartridge (Stylus) | ⑲ Main weight |
| ② Belt guide | ⑪ Shell | ⑳ Sub weight |
| ③ Capstan | ⑫ Control lever | ㉑ Bias cursor |
| ④ Frequency selector switch | ⑬ Locking nut | ㉒ Bias hook |
| ⑤ Oil orifice | ⑭ Arm rest | ㉓ Bias weight |
| ⑥ Speed selector switch | ⑮ Tonearm | ㉔ Bias setscrew |
| ⑦ Turntable (Platter) | ⑯ Arm lifter | ㉕ Voltage selector |
| ⑧ Turntable ring | ⑰ Turntable spindle | ㉖ Shipping bolts |
| ⑨ Turntable rubber mat | ⑱ Stylus pressure weight | ㉗ Hinge |

3. MAINTENANCE

3-1. Changing the capstan

The SR-3030's power source frequency has been properly adjusted for the area. If the turntable is brought to the country or area where electrical cycles change from 50 to 60 Hz or vice versa, an adjustment in the turntable speed is necessary as follows.

1. Remove the turntable (platter) and belt.
2. Loosen the setscrew of the capstan and pull the capstan up.
3. Attach a proper capstan (the thicker one is for 50 Hz).
4. Adjust the height of the capstan so that the belt moves smoothly while changing the turntable speed from $33\frac{1}{3}$ to 45 rpm or vice versa, then tighten the setscrew of the capstan securely.
5. At the same time, set the frequency selector switch for the new frequency by sliding.

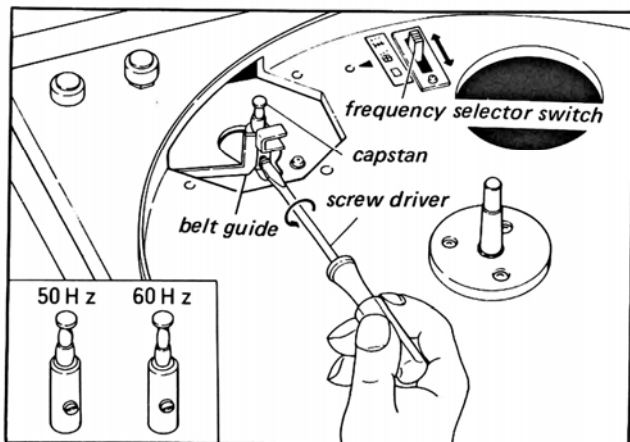


Fig. 3-1

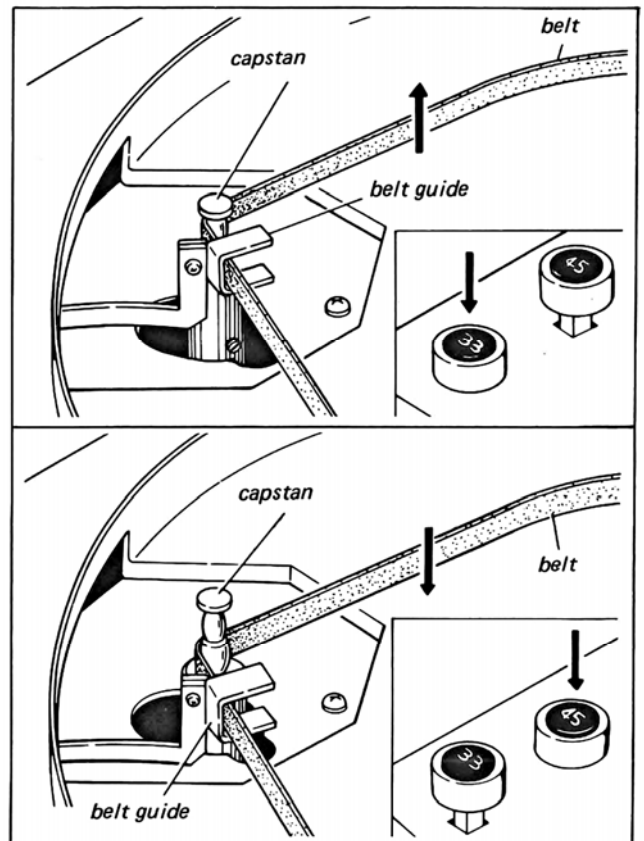


Fig. 3-2

3-2. Replacing the cartridge

1. Turn the locking nut counterclockwise and pull the shell out.
2. Remove the cartridge by loosening the nuts and disconnecting the leads.
3. Attach the cartridge and connect the leads in place correctly.
4. After replacement, adjust the stylus pressure again. (See page 2-5, 4-1. Adjusting the stylus pressure).

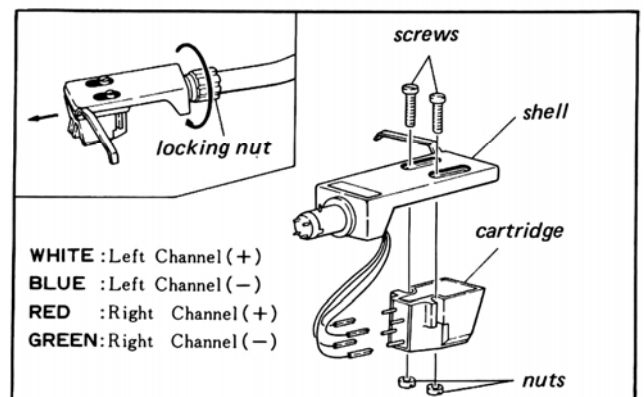


Fig. 3-3

3-3. Oiling

Although the need for oiling depends on usage, oiling should be performed once a year (every 1,000 hours of operation).

1. Motor

Remove the turntable (platter) and apply a few drops of oil. Use only the oil attached with the turntable. Be careful that the oil does not stain the belt or the capstan.

2. Turntable spindle

- 1) Remove the turntable spindle ass'y as Fig. 3-5.
- 2) Loosen the bearing cap, pull the spindle up and apply a few drops of oil.

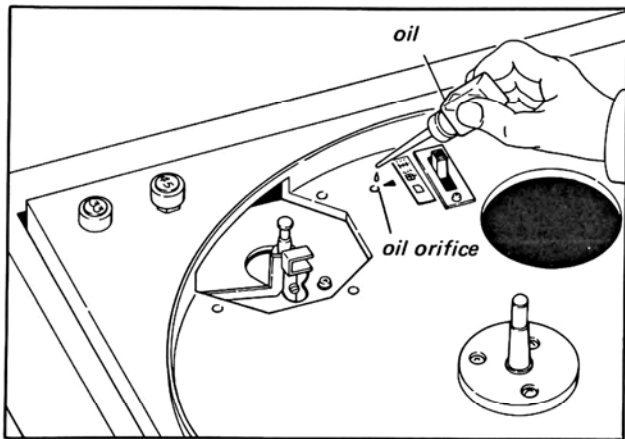


Fig. 3-4

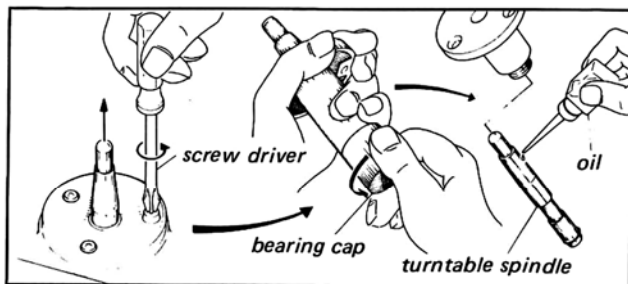


Fig. 3-5

3-4. Changing the LINE voltage

The SR-3030 can be used at six different voltages: 100 V, 115 V, 130 V, 200 V, 230 V and 250 V. Be careful not to switch to the wrong position.

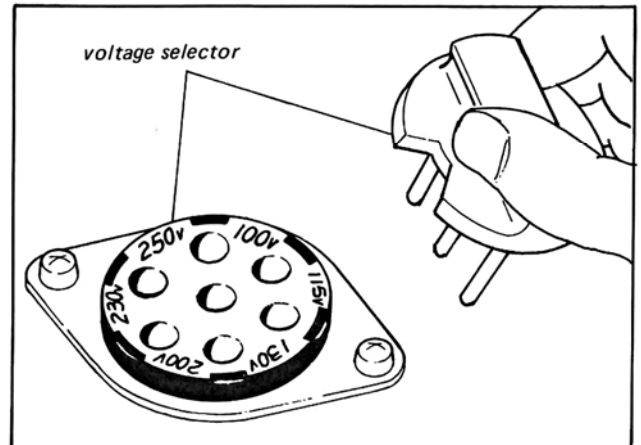


Fig. 3-6

4. ADJUSTMENT

4-1. Adjusting the stylus pressure

1. Remove the stylus cover from the cartridge and set the control lever to PLAY.
2. Remove the tonearm from its rest and join the stylus pressure weight with the main weight.
3. Move the main weight including the stylus pressure weight back and forth until the tonearm balances.
4. In this condition, move the stylus pressure weight only so that the stylus pressure scale coincides with stylus pressure. Each notch on the main weight represents 0.5 gram.

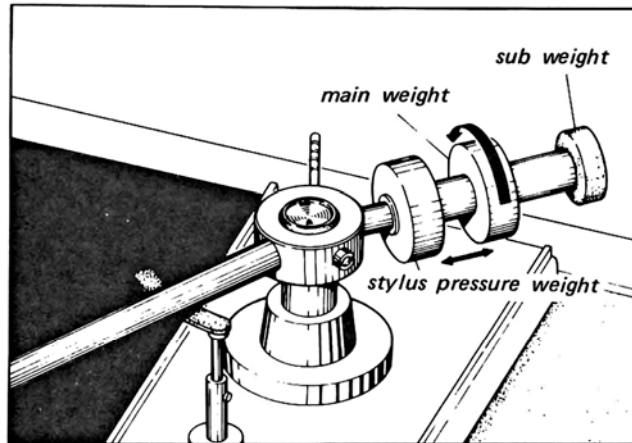
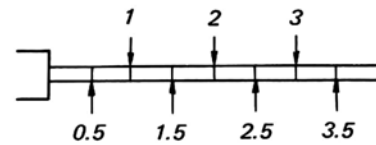


Fig. 4-1



bias cursor scale (unit: g)

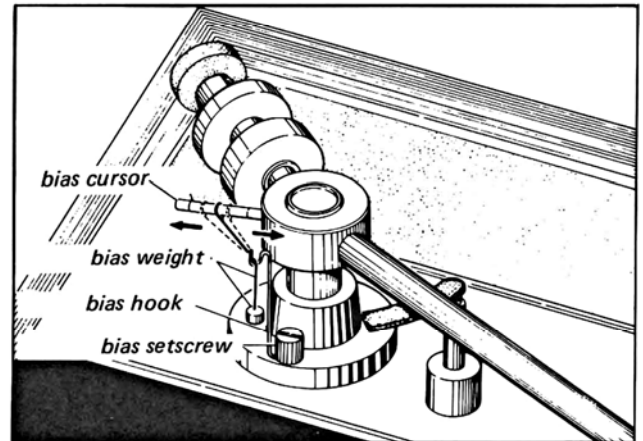


Fig. 4-2

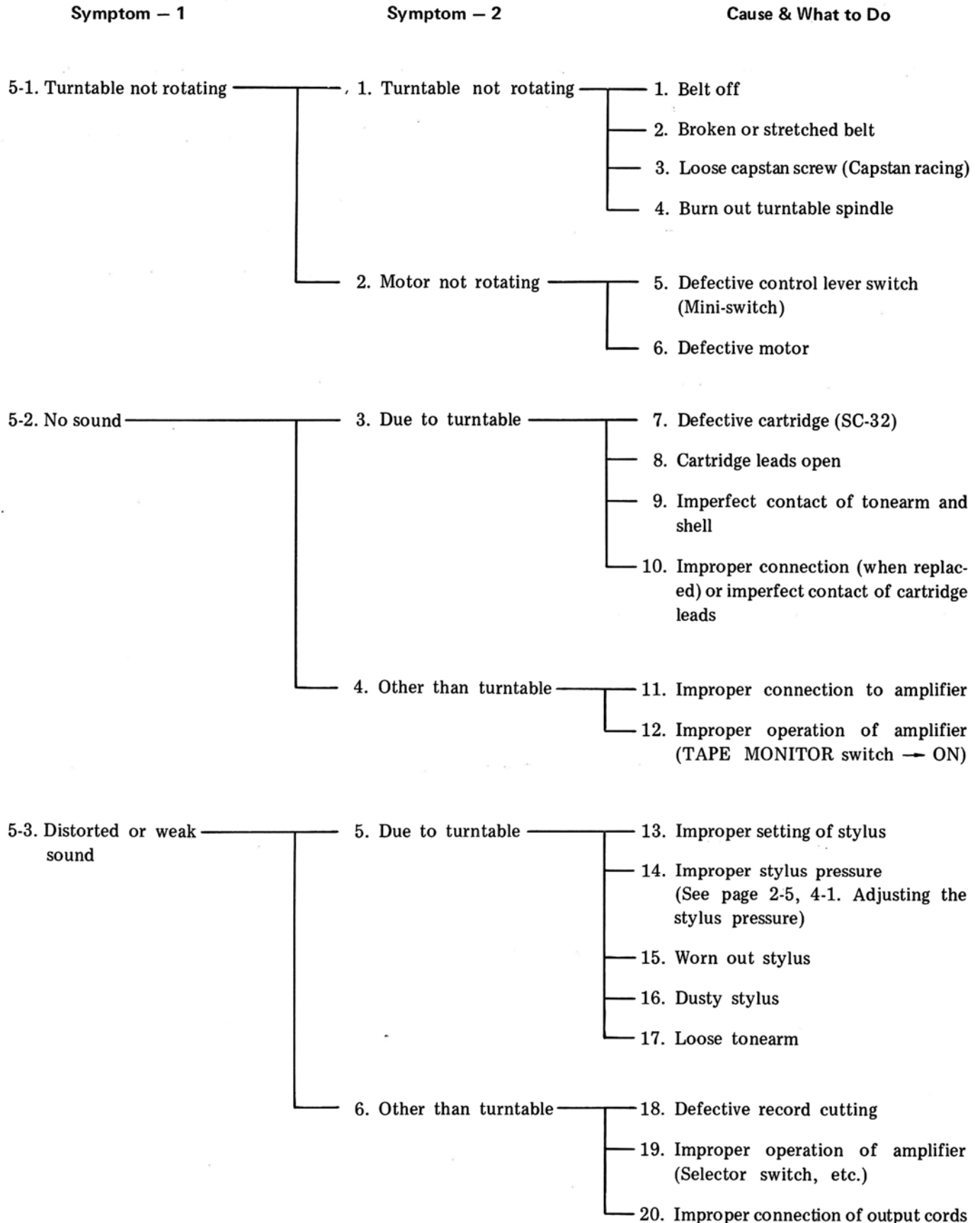
4-2. Adjusting the inside force canceler

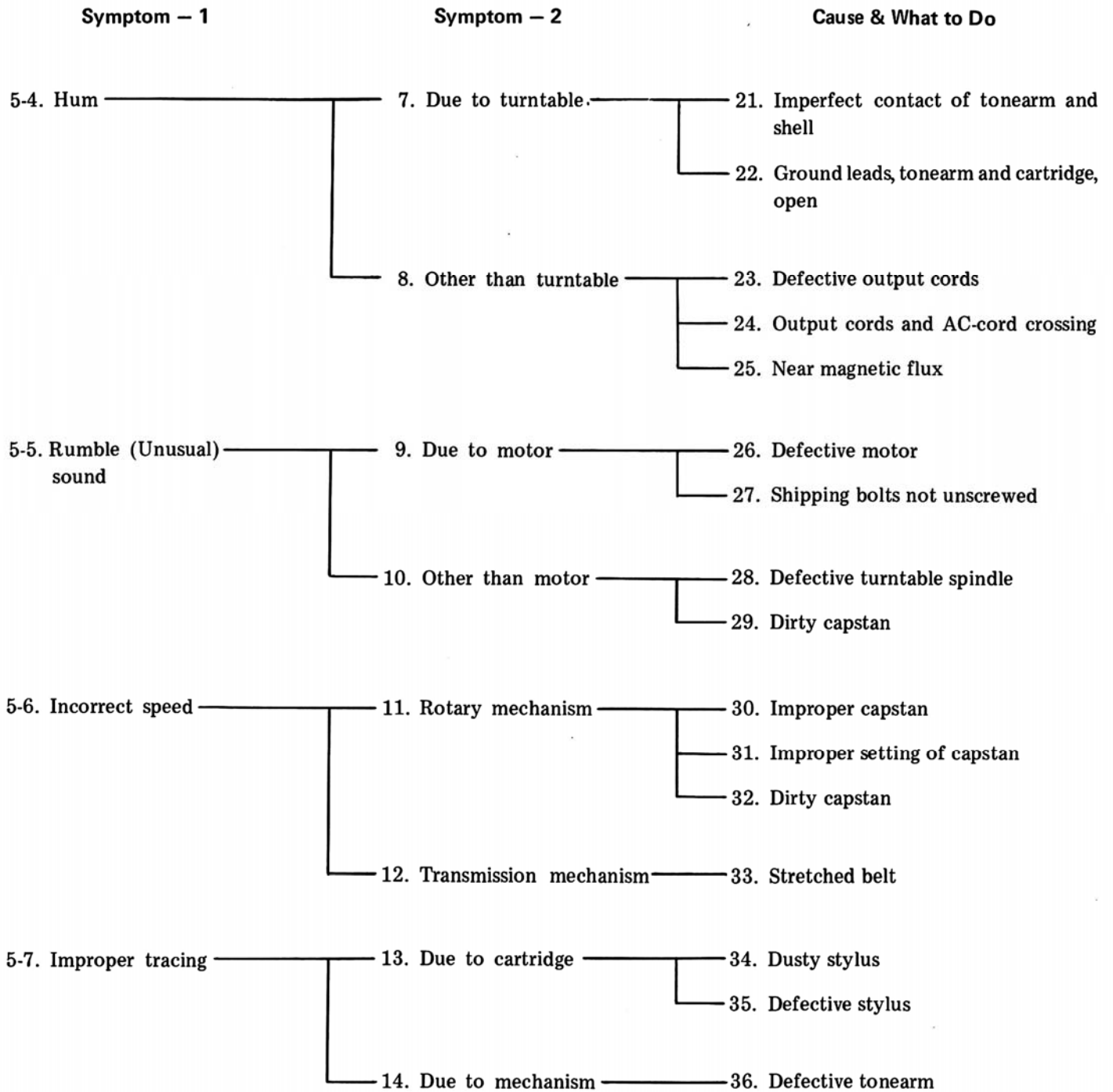
1. Attach the bias cursor and bias hook to proper position.
2. Attach the bias weight to the bias cursor.
3. Position the loop in the notch on the bias cursor corresponding to the stylus pressure being used. Each notch represents 0.5 gram.

4-3. Adjusting the arm lifter

1. Set the record on the turntable (platter) and switch the control lever to OFF or ON.
2. Move the tonearm above the record.
3. Adjust the height of the arm lifter so that the space between the record and stylus is 6–12 mm.
4. Check that the stylus slowly comes down on the record when the control lever is switched to PLAY.
5. In this condition of the stylus on the record, check the height of the tonearm so that the tonearm is level with the record.
6. After adjustment, check its operation a few times.

5. TROUBLESHOOTING





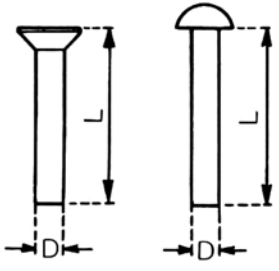
6. EXPLODED VIEW & PARTS LIST

Hardware Nomenclature

	Name	Abbreviation		Type
SCREW	Pan Head Screw - - - - -	P		
	Binding Head Screw - - - - -	B		
	Round Head Screw - - - - -	R		
	Flat Countersunk Head Screw - - - -	F		
	Oval Countersunk Head Screw - - - -	O		
	Truss Head Screw - - - - -	T		
	Flat Fillister Screw - - - - -	FS		
	Oval Countersunk Wood Screw - - - -	OC		
	Flat Countersunk Wood Screw - - - -	FC		
	Pan Head Tapping Screw - - - - -	PT		
SETSCREW	Hex. Socket Setscrew - - - - -	S		
	Slot Type Setscrew - - - - -	SS		
WASHER	Retaining Ring (E washer) - - - - -	E		
	Plane Washer - - - - -	P		
	Spring Washer - - - - -	S		
	Corrugated Washer - - - - -	C		
	Toothed Lock Washer - - - - -	TL		

EXAMPLE FS type Screw, M3 x 6 (BLK)

----- Color
 ----- Length in mm (L)
 ----- Diameter in mm (D)
 ----- Type & Name



All screws conform to ISO standards, unless otherwise noted.

6-1. Exploded view (1) and parts list (See Fig. 6-1)

※ Use the stock number for parts order. If the stock number is unknown, use the model's name, fig. number, parts number and parts name correctly.

Parts No.	Stock No.	Description
1	5100062	B Type Screw, M4 x 8
2	5111060	Hex. Cap Nut, M4
3	5100062	B Type Screw, M4 x 8
4	5111060	Hex. Cap Nut, M4
5	6922040	Hinge D
6	5100062	B Type Screw, M4 x 8
7	5111060	Hex. Cap Nut, M4
8	5100062	B Type Screw, M4 x 8
9	5111060	Hex. Cap Nut, M4
10	6922050	Hinge F
	7022020	Stay Ass'y
11		Setscrew A, stay
12		Washer B, stay
13		Setscrew B, stay
14	4940030	Nylon Washer, stay
15	4310030	Arm, stay
16		Nylon Washer, stay
17		Washer A, stay
18	5362020	Name Plate, dust cover
19	5362020	Name Plate, dust cover
20	5062070	Dust Cover
21	5392040	Ring, turntable
22	5502070	Rubber Mat, turntable
23	6112020	Turntable
24	6032020	Belt
25	5143025	FC Type Screw, M3.1 x 10
26	5143025	FC Type Screw, M3.1 x 10

Parts No.	Stock No.	Description
27	5143025	FC Type Screw, M3.1 x 10
28	5143025	FC Type Screw, M3.1 x 10
29	5143025	FC Type Screw, M3.1 x 10
30	5143025	FC Type Screw, M3.1 x 10
31	5143025	FC Type Screw, M3.1 x 10
32	5143025	FC Type Screw, M3.1 x 10
33	5512050	Insulator
34	5512050	Insulator
35	5512050	Insulator
36	5512050	Insulator
37	5732110	Bottom Cover
38		Output Cords
39		AC Cord
40	5143025	FC Type Screw, M3.1 x 10
41	5143025	FC Type Screw, M3.1 x 10
42	5143025	FC Type Screw, M3.1 x 10
43	6922040	Hinge B
44	5143025	FC Type Screw, M3.1 x 10
45	5143025	FC Type Screw, M3.1 x 10
46	5143025	FC Type Screw, M3.1 x 10
47	6922050	Hinge E
48	5502180	Cushion
49	5502180	Cushion
50	5332030	Badge
51	5732130	Cabinet

Fig. 6-1

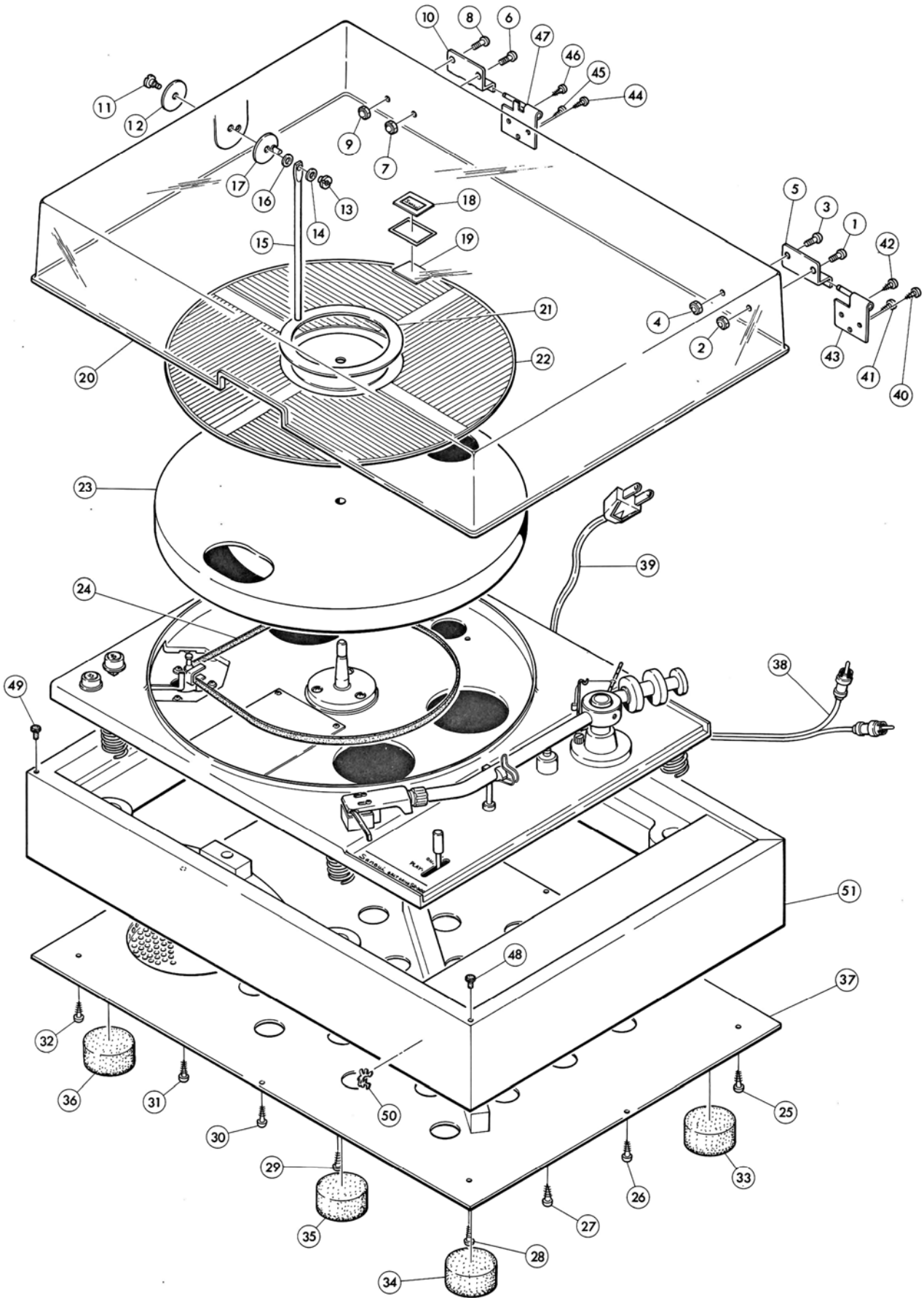
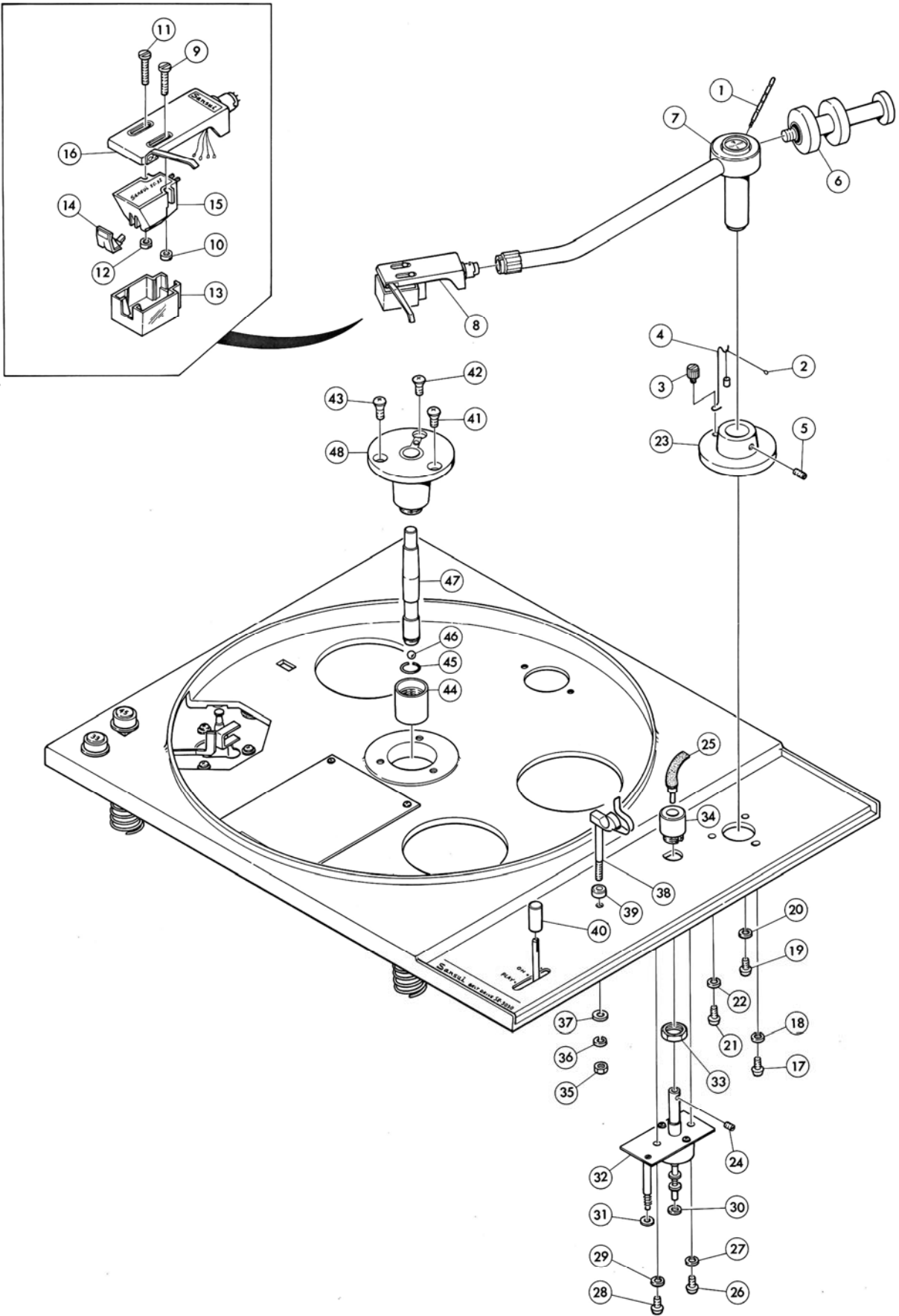


Fig. 6-2



6-2. Exploded view (2) and parts list (See Fig. 6-2)

※ Use the stock number for parts order. If the stock number is unknown, use the model's name, fig. number, parts number and parts name correctly.

Parts No.	Stock No.	Description	Parts No.	Stock No.	Description
	7092020	Tonearm Ass'y	26	5103043	P Type Screw, M3 x 6
1	5432020	Cursor, bias	27	5121340	S Type Washer, 3 x 1.1 x 0.7
2	6912120	Weight, bias	28	5103043	P Type Screw, M3 x 6
3	5162110	Setscrew, bias	29	5121340	S Type Washer, 3 x 1.1 x 0.7
4	5292040	Hook, bias	30	5120141	P Type Washer, 3 x 8 x 0.5
5		SS Type Screw, M4 x 4	31	5120141	P Type Washer, 3 x 8 x 0.5
6	6912010	Main Weight Ass'y	32	7082020	Arm Lifter Ass'y
7		Tonearm	33		Hex Nut, M11
8		Shell (with Cartridge)	34	5242040	Base, lifter
9		FS Type Screw, M2.6 x 12	35	5110341	Hex. Nut, M3 x 5.5 x 2.4
10		Nut, M2.6	36	5121340	S Type Washer, 3 x 1.1 x 0.7
11		FS Type Screw, M2.6 x 12	37	5120141	P Type Washer, 3 x 8 x 0.5
12		Nut, M2.6	38	6622020	Rest, arm
13		Cover, stylus	39		Base, arm rest
14	4940030	Stylus (SN-31)	40	5312020	Cap, control lever
15	4310030	Cartridge (SC-32)	41	5104161	O Type Screw, M4 x 6
16	6642010	Shell	42	5104161	O Type Screw, M4 x 6
17	5103044	P Type Screw, M3 x 8	43	5104161	O Type Screw, M4 x 6
18	5121340	S Type Washer, 3 x 1.1 x 0.7		7032020	Turntable Spindle Ass'y
19	5103044	P Type Screw, M3 x 8	44		Cap, bearing
20	5121340	S Type Washer, 3 x 1.1 x 0.7	45		C Type Ring, 10 ϕ
21	5103044	P Type Screw, M3 x 8	46		Steel Ball
22	5121340	S Type Washer, 3 x 1.1 x 0.7	47		Spindle, turntable
23	5252020	Base, arm	48		Bearing, turntable
24		SS Type Screw, M3 x 3			
25	5292020	Guide, arm			

6-3. Exploded view (3) and parts list (See Fig. 6-3)

※ Use the stock number for parts order. If the stock number is unknown, use the model's name, fig. number, parts number and parts name correctly.

Parts No.	Stock No.	Description	Parts No.	Stock No.	Description
1	5103069	P Type Screw, M4 x 25	65	5121340	S Type Washer, 3 x 1.1 x 0.7
2	5121360	S Type Washer, 4 x 1.4 x 1.0	66	5103043	P Type Screw, M3 x 6
3	5182010	Cup Washer, M4	67	5121340	S Type Washer, 3 x 1.1 x 0.7
4	5232030	Spacer, motor	68	7052170	Control Lever Ass'y
5	5502060	Rubber Cushion, motor	69	5103048	P Type Screw, M3 x 15
6	5103069	P Type Screw, M4 x 25	70	5110341	Hex Nut, M3 x 5.5 x 2.4
7	5121360	S Type Washer, 4 x 1.4 x 1.0	71	5103048	P Type Screw, M3 x 15
8	5182010	Cup Washer, M4	72	1160040	Micro Switch (AM-4100)
9	5232030	Spacer, motor	73	5103043	P Type Screw, M3 x 6
10	5502060	Rubber Cushion, motor	74	5121340	S Type Washer, 3 x 1.1 x 0.7
11	5103069	P Type Screw, M4 x 25	75		Leaf Spring
12	5121360	S Type Washer, 4 x 1.4 x 1.0	76	5151003	E Type Ring, 2.3 φ
13	5182010	Cup Washer, M4	77	5151003	E Type Ring, 2.3 φ
14	5232030	Spacer, motor	78		Shaft, lift cam
15	5502060	Rubber Cushion, motor	79		Lift Cam
16	5103062	P Type Screw, M4 x 8	80		Case, lift cam
17	5121360	S Type Washer, 4 x 1.4 x 1.0	81		Split Pin
18	5120161	P Type Washer, 4 x 10 x 0.8	82		Polyethylene Washer
19	5103062	P Type Screw, M4 x 8	83		Lift Lever
20	5121360	S Type Washer, 4 x 1.4 x 1.0	84		Polyethylene Washer
21	5120161	P Type Washer, 4 x 10 x 0.8	85		Setscrew, lift lever
22	5103062	P Type Screw, M4 x 8	86	5121340	S Type Washer, 3 x 1.1 x 0.7
23	5121360	S Type Washer, 4 x 1.4 x 1.0	87	5103062	P Type Screw, M4 x 8
24	5120161	P Type Washer, 4 x 10 x 0.8	88	5121360	S Type Washer, 4 x 1.4 x 1.0
25	5103043	P Type Screw, M3 x 6	89		MP Capacitor 1.8 + 0.5 μF 250WV
26	5121340	S Type Washer, 3 x 1.1 x 0.7	90	5103043	P Type Screw, M3 x 6
27	5103043	P Type Screw, M3 x 6	91	5121340	S Type Washer, 3 x 1.1 x 0.7
28	5121340	S Type Washer, 3 x 1.1 x 0.7	92		Oil Capacitor 0.033 μF 600WV
29	6932020	Cup, oil	93	2110070	4-Lug Terminal Strip
30		Sub Panel	94	5103043	P Type Screw, M3 x 6
31	5103061	P Type Screw, M4 x 6	95	5121340	S Type Washer, 3 x 1.1 x 0.7
32	5121360	S Type Washer, 4 x 1.4 x 1.0	96	2110070	4-Lug Terminal Strip
33	5103061	P Type Screw, M4 x 6	97	5103043	P Type Screw, M3 x 6
34	5121360	S Type Washer, 4 x 1.4 x 1.0	98	5121340	S Type Washer, 3 x 1.1 x 0.7
35	5103061	P Type Screw, M4 x 6	99	5120141	P Type Washer, 3 x 8 x 0.5
36	5121360	S Type Washer, 4 x 1.4 x 1.0	100	5103043	P Type Screw, M3 x 6
37	5103061	P Type Screw, M4 x 6	101	5121340	S Type Washer, 3 x 1.1 x 0.7
38	5121360	S Type Washer, 4 x 1.4 x 1.0	102	5120141	P Type Washer, 3 x 8 x 0.5
39	5242050	Sheet, motor	103		Enameld Wirewound Resistor, 300 Ω 15-W
40		SS Type Screw, M3 x 4	104	5103043	P Type Screw, M3 x 6
41	6142030	Capstan (50 Hz)	105	5103043	P Type Screw, M3 x 6
	6142040	Capstan (60 Hz)	106		Name Plate, frequency
42	4320060	Motor	107		Slide Switch
43	5151004	E Type Ring, 3 φ	108	5103061	P Type Screw, M4 x 6
44		Guide, belt	109		Spring, panel
45	7102040	Pushbutton (33)	110	5103061	P Type Screw, M4 x 6
46		Polyethylene Washer	111		Spring, panel
47	7102030	Pushbutton (45)	112	5103061	P Type Screw, M4 x 6
48		Polyethylene Washer	113		Spring, panel
49	5103043	P Type Screw, M3 x 6	114	5103061	P Type Screw, M4 x 6
50	5121340	S Type Washer, 3 x 1.1 x 0.7	115		Spring, panel
51	5103043	P Type Screw, M3 x 6	116	5103061	P Type Screw, M4 x 6
52	5121340	S Type Washer, 3 x 1.1 x 0.7	117	5121260	S Type Washer, 4 x 1.4 x 1.0
53		Spring, speed selector	118	5103061	P Type Screw, M4 x 6
54	7062020	Speed Selector Ass'y	119	5121260	S Type Washer, 4 x 1.4 x 1.0
55	5151003	E Type Ring, 2.3 φ	120		Power Transformer
56	5151003	E Type Ring, 2.3 φ	121	5103043	P Type Screw, M3 x 6
57		Spring, stopper shaft	122	5121340	S Type Washer, 3 x 1.1 x 0.7
58	5151003	E Type Ring, 2.3 φ	123	5103043	P Type Screw, M3 x 6
59	6512020	Stopper Shaft	124	5121340	S Type Washer, 3 x 1.1 x 0.7
60	5103043	P Type Screw, M3 x 6	125		Voltage Selector
61	5121340	S Type Washer, 3 x 1.1 x 0.7			
62	5103043	P Type Screw, M3 x 6			
63	5121340	S Type Washer, 3 x 1.1 x 0.7			
64	5103043	P Type Screw, M3 x 6			

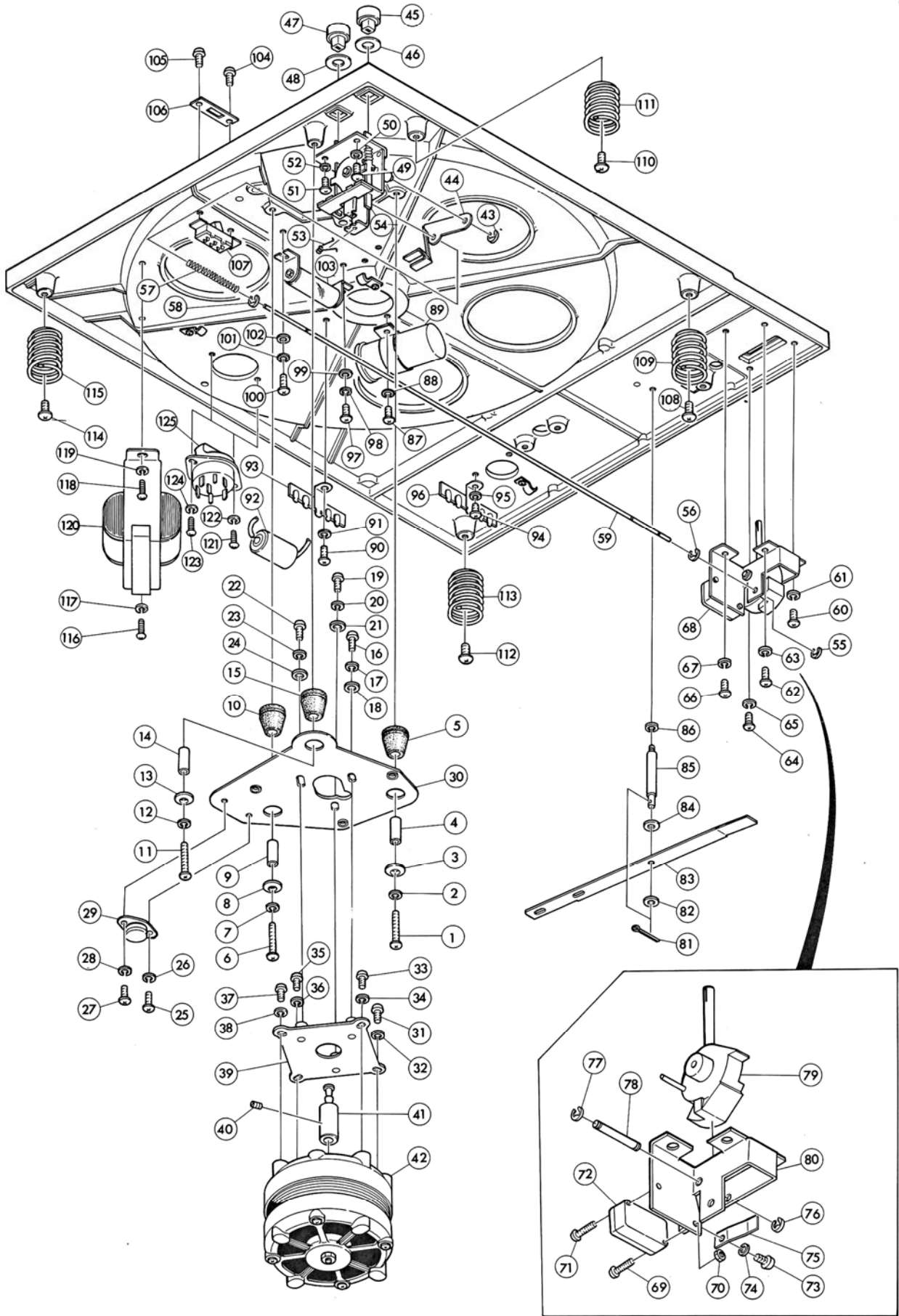


Fig. 6-3

6-4. Packing and accessories list

Packing list

Parts No.	Stock No.	Description
1		Carton Case
2		Bottom Packing
3	6112020	Turntable
4	5502070	Turntable Rubber Mat
5		Accessory Box
6		Inner Packing
7		Foamed Polystyrene Package (Lower)
8		Record Player
9		Foamed Polystyrene Package (Upper,Left)
10		Foamed Polystyrene Package (Upper,Right)
11	5062070	Dust Cover
12		Inner Packing

Accessories list

Parts No.	Stock No.	Description
1		Screwdriver
2	6142030	Capstan (50 Hz)
	6142040	Capstan (60 Hz)
3		Shell (with cartridge)
4	6642010	Shell
5		Sub Weight A
6		Belt Box
7	6032020	Belt
8		Oil Feeder
9		Shell Setscrews and Nuts
10		45 rpm Adaptor
11	6912010	Main Weight
12		Bias Weight, Bias Cursor, Bias Hook
13		Accessory Box

