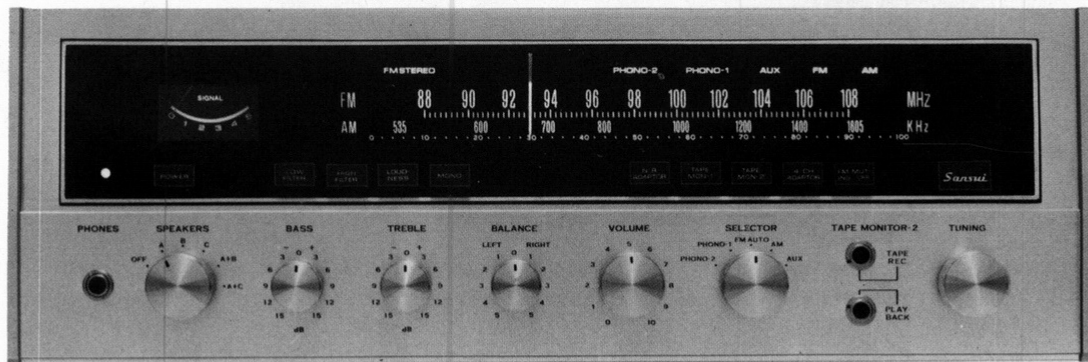


OPERATING INSTRUCTIONS & SERVICE MANUAL

STEREO RECEIVER

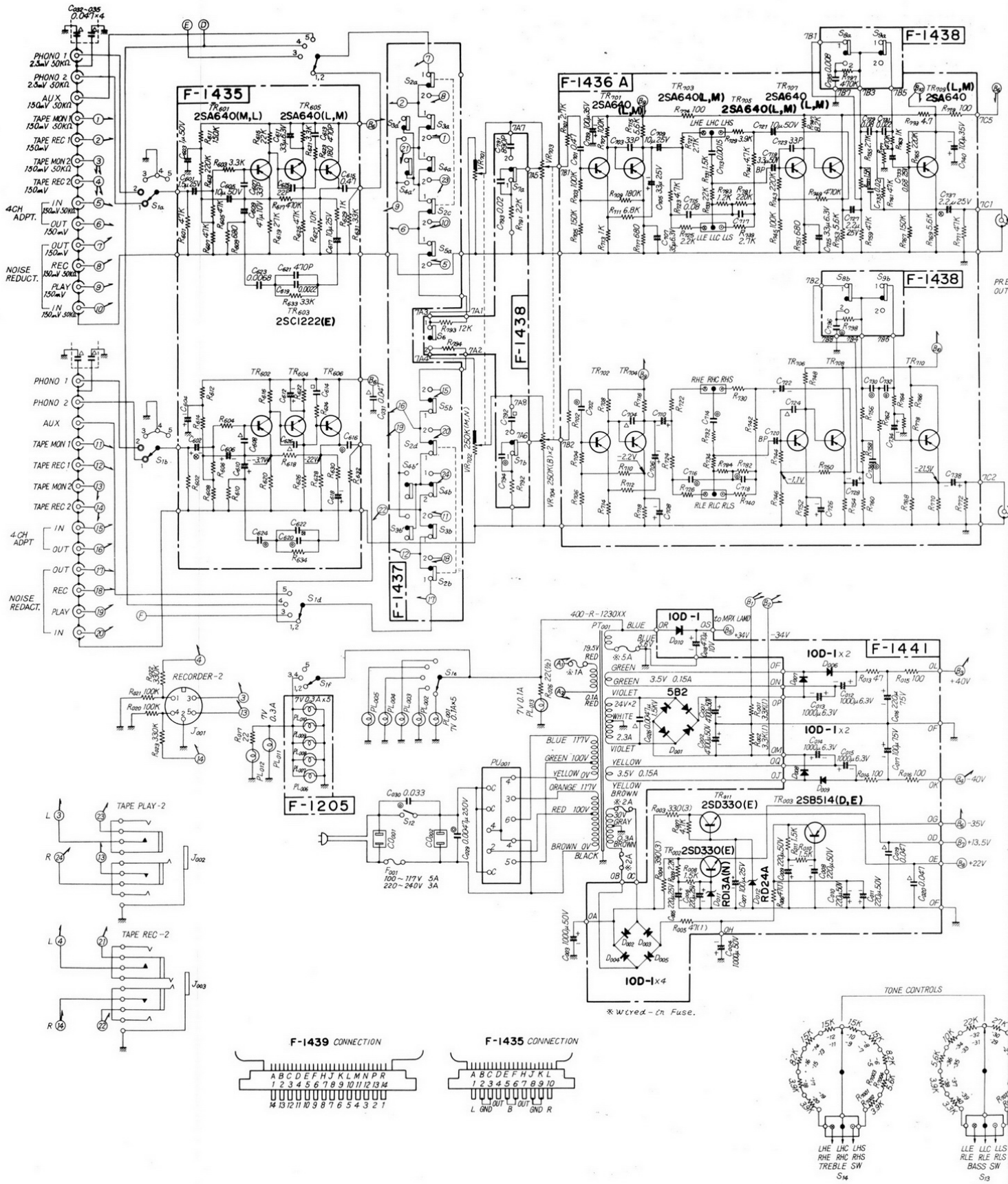
SANSUI SIX

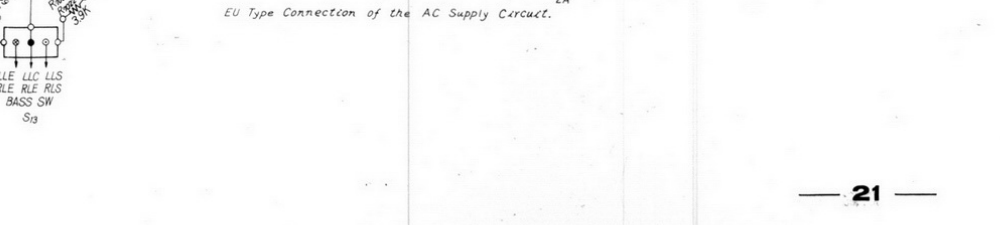
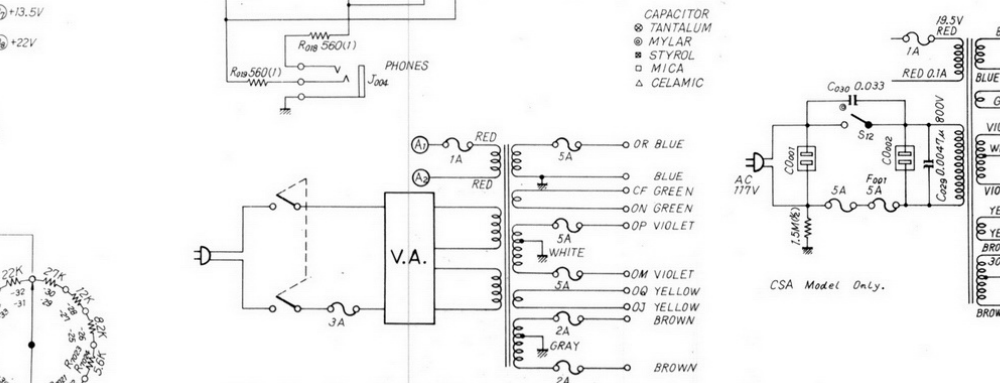
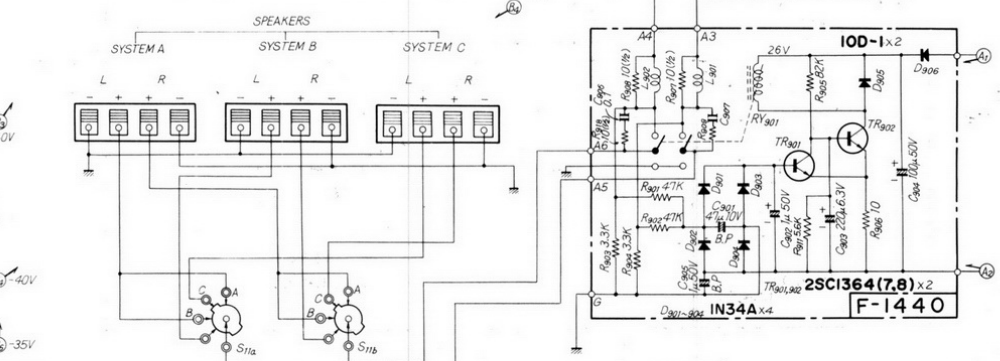
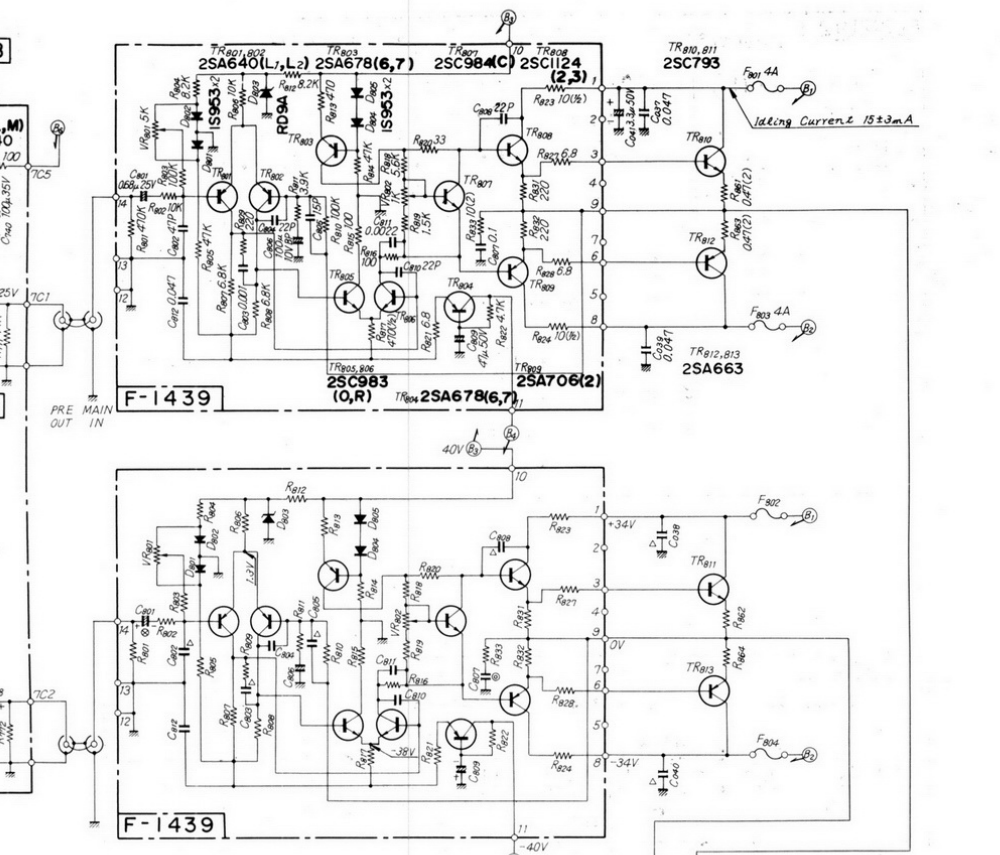


Sansui

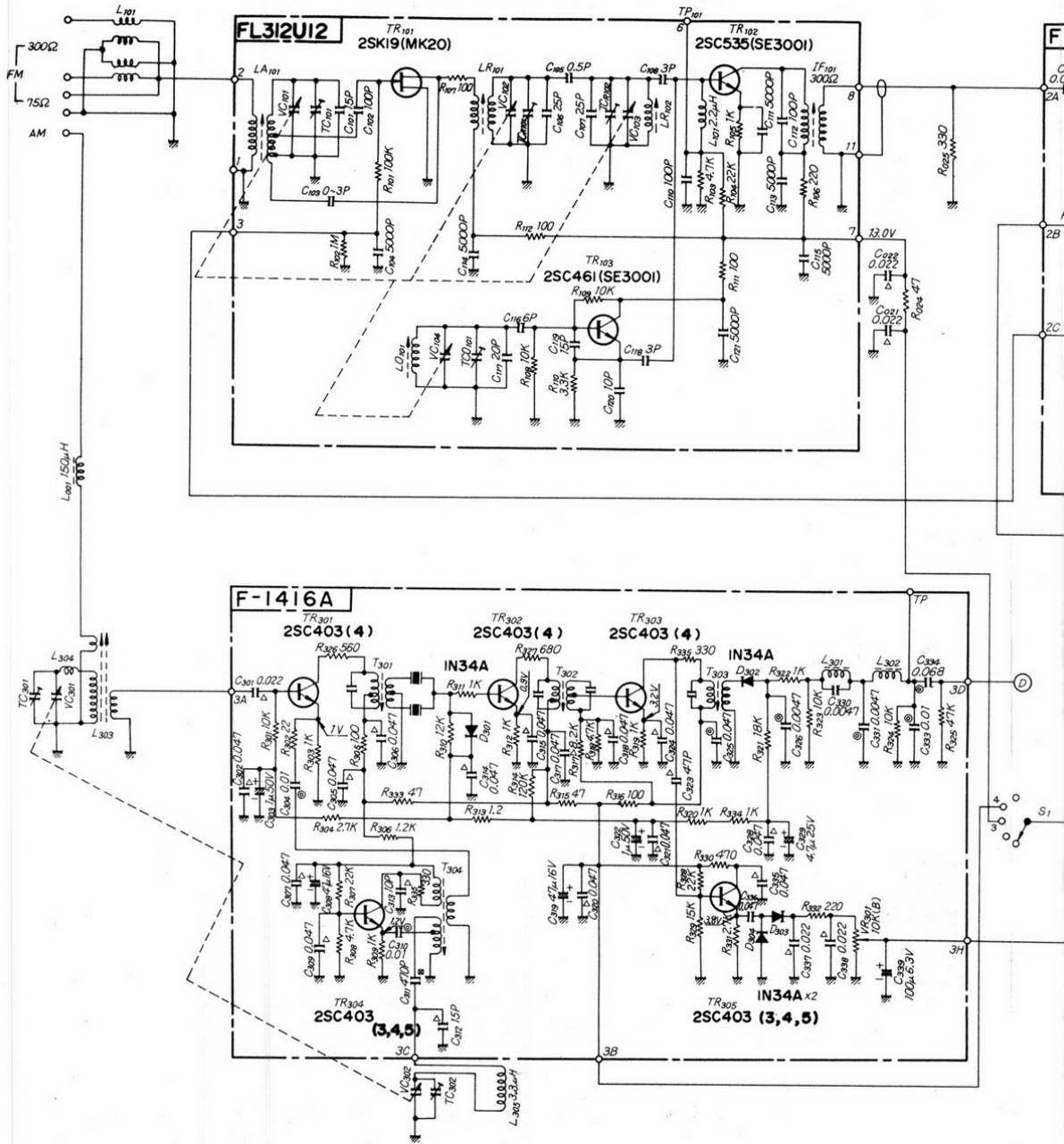
SANSUI ELECTRIC CO., LTD.

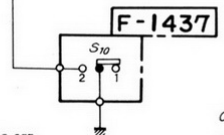
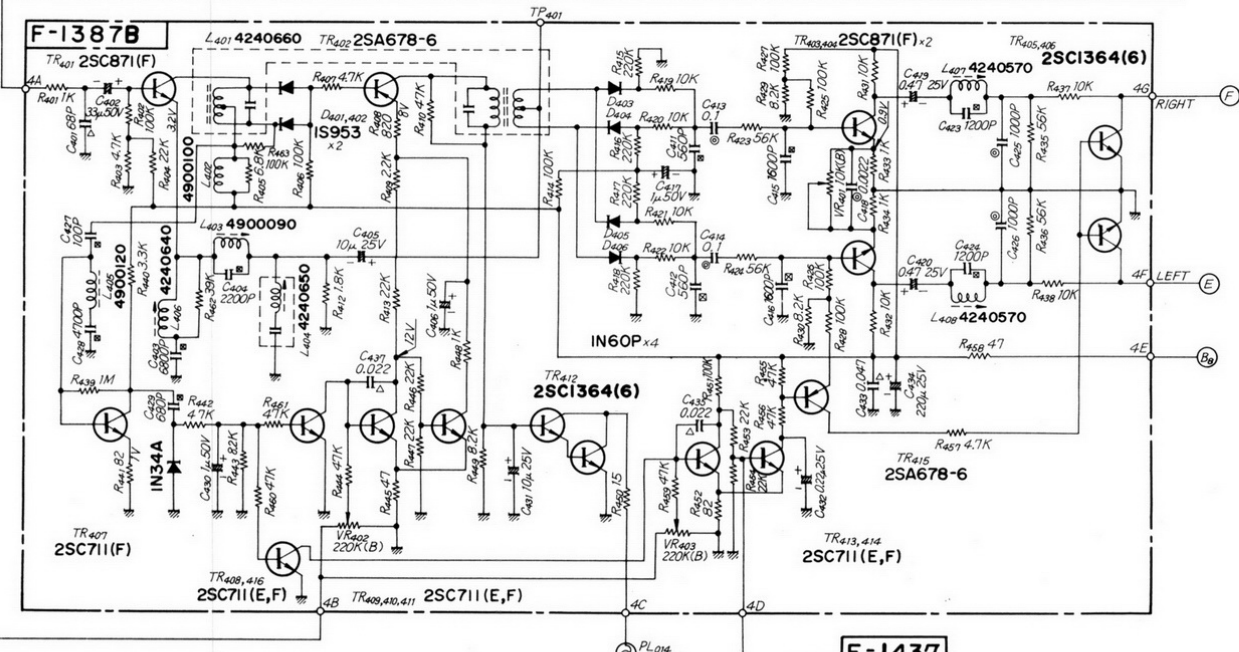
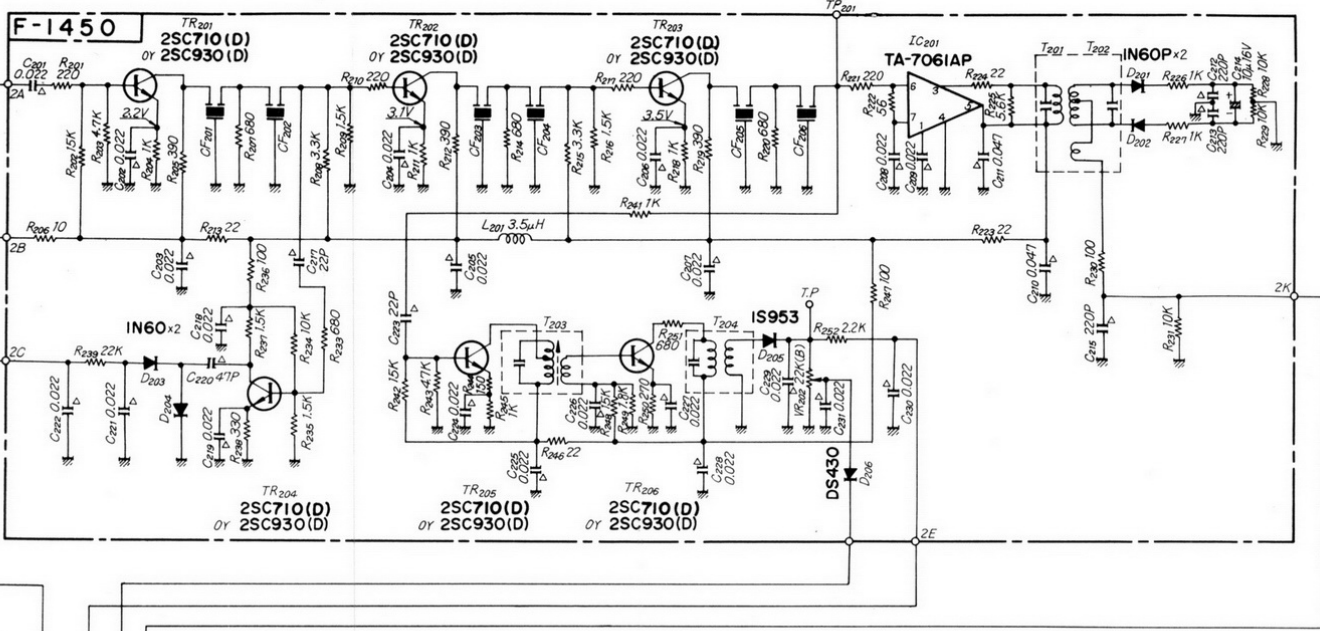
SCHEMATIC DIAGRAM OF AMPLIFIER SECTION





SCHEMATIC DIAGRAM OF TUNER SECTION





- S₁ (a-g) SELECTOR**
1. PHONO 2
 2. PHONO 1
 3. FM AUTO
 4. AM
 5. AUX
- S₂ (a-a) NOISE REDUCTION ADAPTOR**
1. OFF
 2. ON
- S₃ (a,b) S₃'(a,b) TAPE MONITOR 1**
1. OFF
 2. ON
- S₄ (a,b) S₄'(a,b) TAPE MONITOR 2**
1. OFF
 2. ON

- SWITCHES**
- S₅ (a,b) 4CH. ADAPTOR**
1. OFF
 2. ON
- S₆ MONO**
1. STEREO
 2. MONO
- S₇ (a,b) LOUDNESS**
1. OFF
 2. ON
- S₈ (a,b) LOW FILTER**
1. OFF
 2. ON
- S₉ (a,b) HIGH FILTER**
1. OFF
 2. ON

- S₁₀ FM MUTING OFF**
1. ON
 2. OFF
- S₁₁ (a,b) SPEAKERS**
1. OFF
 2. A
 3. B
 4. C
 5. A+B
 6. A+C
- S₁₂ POWER**
- S₁₃ BASS**
- S₁₄ TREBLE**

- CAPACITORS**
- △ CERAMIC
 - MYLAR
 - STYROL