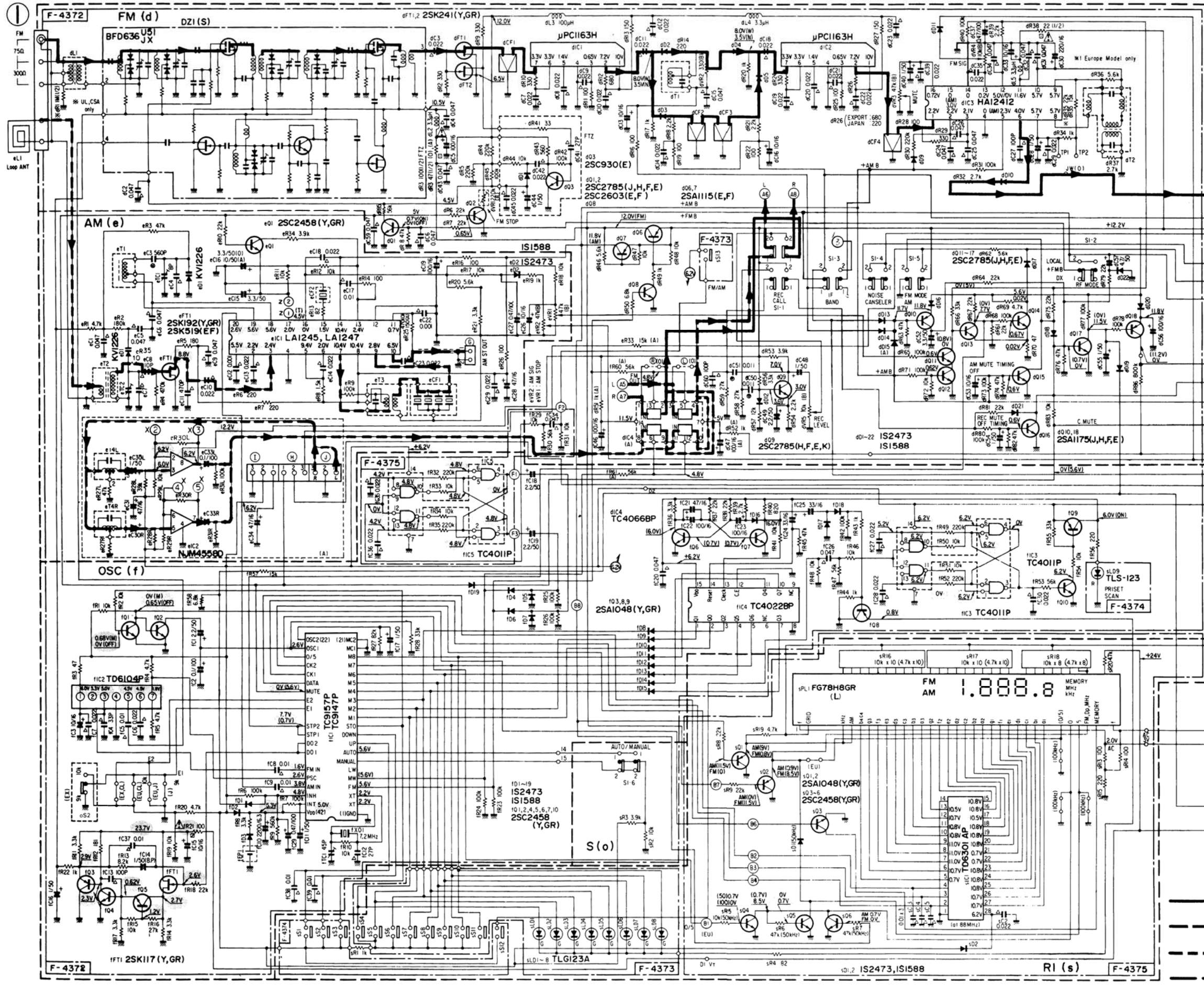


9. SCHEMATIC DIAGRAM 9-1. RF, IF & Control Section

*Design and specifications subject to change without notice for improvement.
 *La présentation et les spécifications sont susceptibles d'être modifiées sans préavis par suites d'améliorations éventuelles.
 *Änderungen, die dem technischen Fortschritt dienen, bleiben vorbehalten.



SYMBOL OF FUNCTION
 (d) FM
 (e) AM
 (f) OSC CONTROL
 (o) SELECTOR
 (s) RF INDICATOR

SWITCHES
 SI-1 : REC CALL
 SI-2 : RF MODE
 SI-3 : IF BAND
 SI-4 : NOISE CANCELER
 SI-5 : FM MODE
 SI-6 : TUNING

1. OFF
 2. ON
 1. OFF
 2. ON
 1. WIDE
 2. NARROW
 1. OFF
 2. ON
 1. STEREO/MUTE
 2. MONO/MUTE OF
 1. AUTO
 2. MANUAL

CAPACITORS
 Δ Ceramic
 ● Polystyrene
 ○ Film (Mylar)
 BP Bi-Polar Electrolytic
 Are in μF, Unless otherwise noted. P: pF

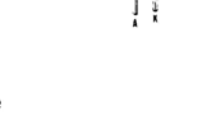
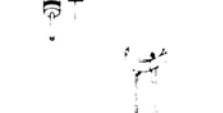
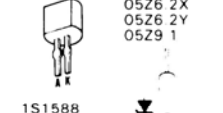
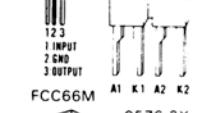
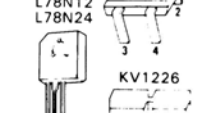
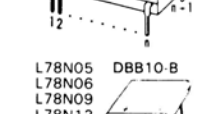
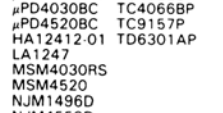
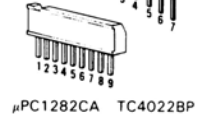
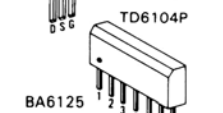
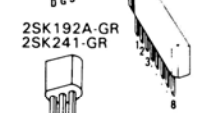
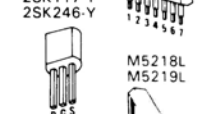
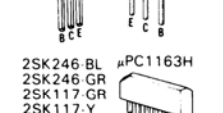
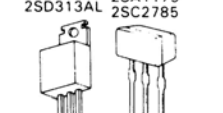
RESISTORS
 □ Non-Inflammable Type
 □ Fusing Type
 Are in ohms, 1/4 Watts, ± 5% Tolerance
 Unless otherwise noted. k: kΩ, M: MΩ

Each D.C. Voltage shows the nominal value in Volts at no input signal
 The Voltage parenthesized indicates the voltage in Stereo Signal reception

(O) : TU-S77X, TU-S707G
 (A) : TU-S77AMX
 FT2: Using of FT2 Model

△ Safety Part.
 Use only replacement parts recommended by the manufacturer.

- 2SA992
- 2SC930
- 2SC1740S
- 2SC1845
- 2SC2878
- 2SA1048
- 2SA1115
- 2SC2458
- 2SC2603



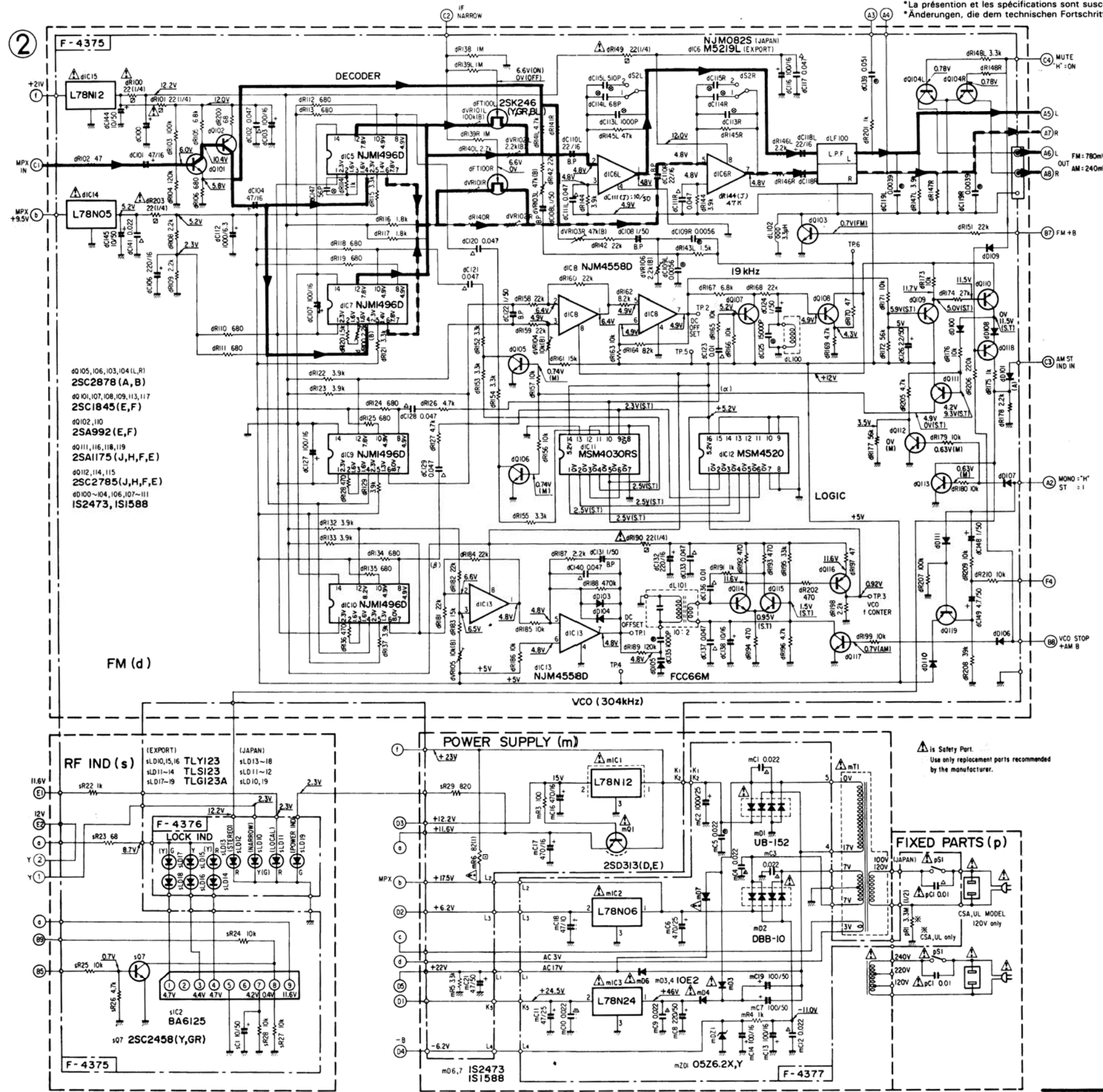
- μPC1282CA
- μPD4030BC
- μPD4520BC
- HA12412-01
- LA1247
- MSM44030RS
- MSM4520
- NUM1496D
- NUM4558D
- TC4011P
- TC4022BP
- TC4066BP
- TC9157P
- TD6301AP
- DBB10-B
- KV1226
- FCC66M
- 0526 2X
- 0526 2Y
- 0529 1
- 1S1588
- 1S2473D
- 1S2473T77
- 10E 2
- TLG 123A
- TLS 123
- TLY 123

— FM Line & L-ch (FM) Signal Line
 - - - R-ch (FM) Signal Line
 - - - AM Line & L-ch Signal Line
 - - - R-ch (AM) Signal Line

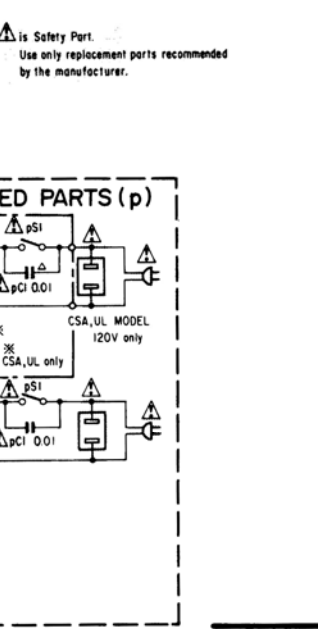
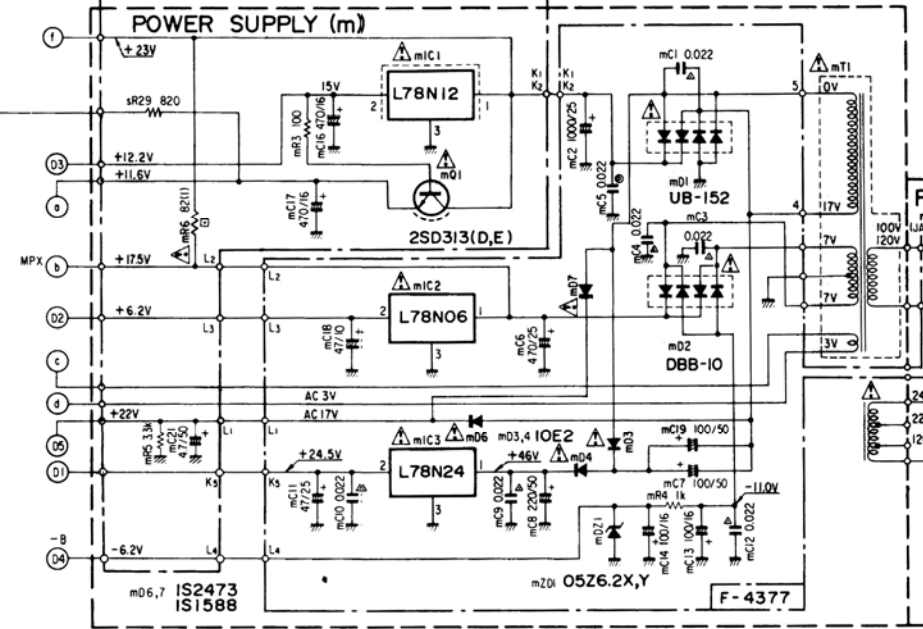
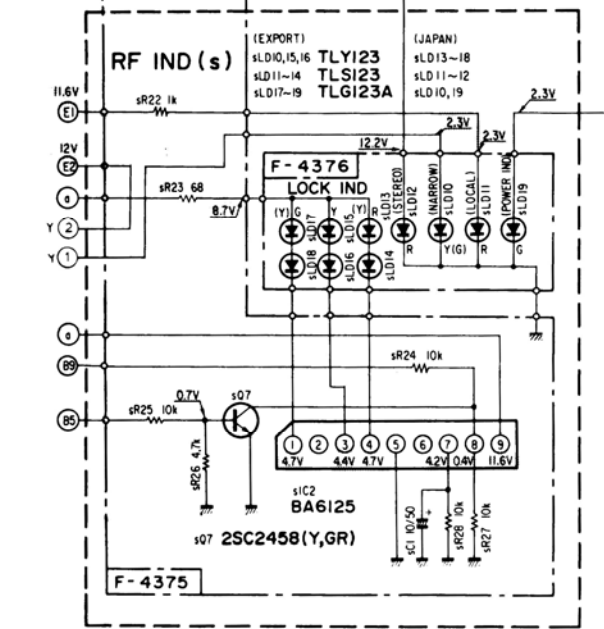
1
 2
 3
 4
 5

9-2. MPX Section

*Design and specifications subject to change without notice for improvement.
 *La présentation et les spécifications sont susceptibles d'être modifiées sans préavis par suites d'améliorations éventuelles.
 *Änderungen, die dem technischen Fortschritt dienen, bleiben vorbehalten.



- 2**
- F-4375
- MPX IN
- MPX +9.5V
- 2SC2878 (A, B)
- 2SC1845 (E, F)
- 2SA992 (E, F)
- 2SA1175 (J, H, F, E)
- 2SC2785 (J, H, F, E)
- IS2473, IS1588



- SWITCH B Adjust
- FM de-emphasis 1.50µs
- POWER SW ON, OFF
- Birdy Beat CANCEL Adjust
- NARROW, SEPA Adjust
- WIDE, SEPA Adjust
- 19kHz Pilot CANCEL Adjust
- 19kHz DC Amp DC OFFSET Adjust
- VCO L-P Amp DC OFFSET Adjust
- CAPACITORS
- Are in µF, unless otherwise noted. P: P.P. Barrier Layer
- △ Ceramic
- Polystyrene
- Film (Mylar)
- Metalized Paper
- BP Bi-Polar Electrolytic
- RESISTORS
- Are in ohms, 1/4 Watts, ±5% Tolerance
- Unless otherwise noted. K: KΩ, M: MΩ
- Fusing type
- Non-Inflammable type
- Each DC Voltage shows the nominal Value in Volts at no input signal
- The voltage parenthesized indicates the voltage is stereo signal reception
- (O): TU-S77X, TU-S707G
- (A): TU-S77AMX

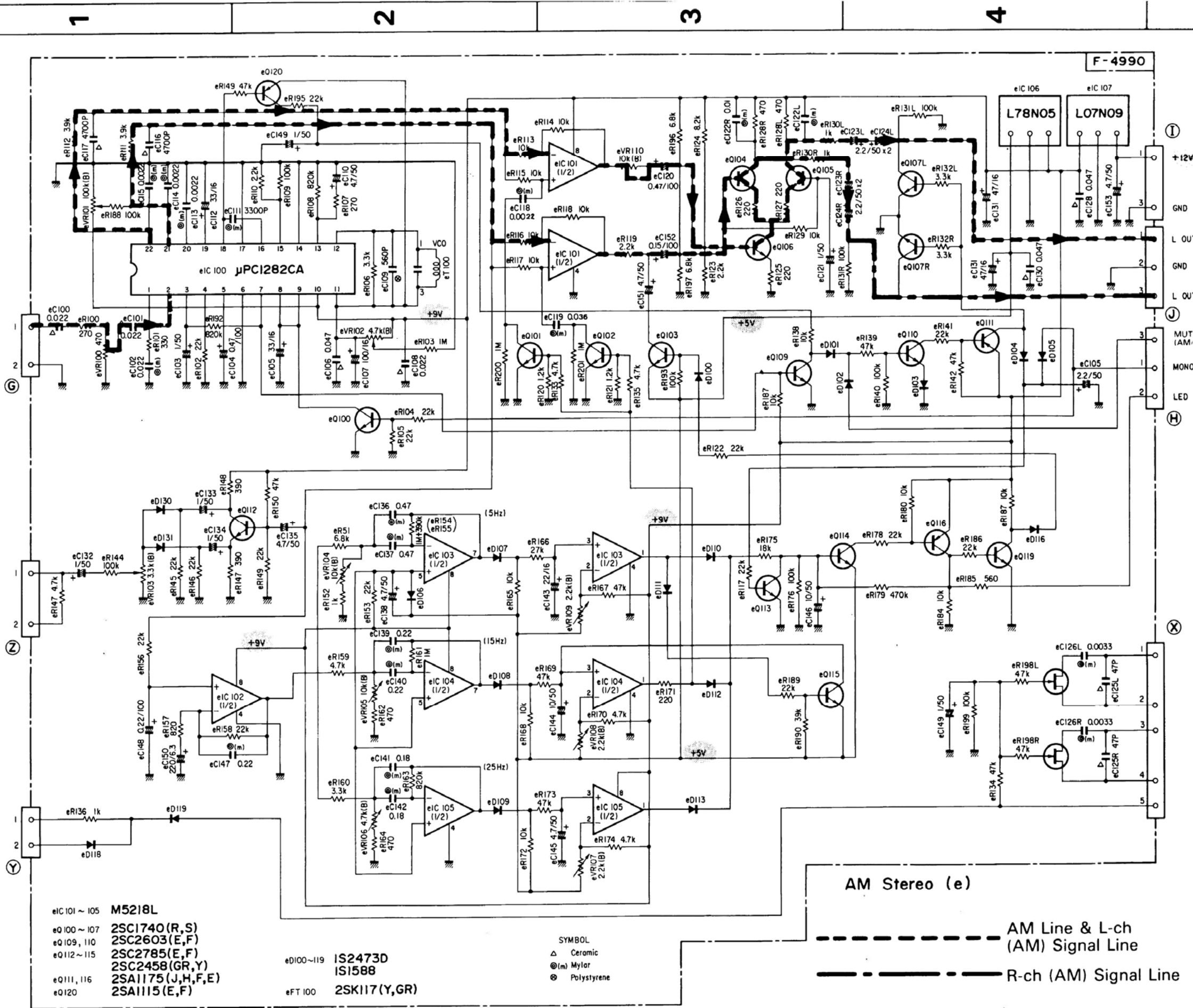
- 2SA992 2SA1048
- 2SC930 2SA1115
- 2SC1740S 2SC2458
- 2SC1845 2SC2603
- 2SC2878
- 2SD313AL
- 2SA1175
- 2SC2785
- 2SK246-BL
- 2SK246-GR
- 2SK117-GR
- 2SK117-Y
- 2SK246-Y
- PC1163H
- M5218L
- M5219L
- 2SK192A-GR
- 2SK241-GR
- TD6104P
- BA6125
- µPC1282CA
- µPD4030BC
- µPD4520BC
- HA12412.01
- LA1247
- MSM4030RS
- MSM4520
- NJM1496D
- NJM4558D
- TC4011P
- Dot or Slot or Line
- DBB10-B
- KV1226
- FCC66M
- 0526.2X
- 0526.2Y
- 0529.1
- 1S1588
- 1S2473D
- 1S2473T77
- 10E.2
- TLG 123A
- TLG 123
- TLG 123

— Composite Sub channel & L-ch Signal Line

- - - Sub Channel & R-ch Signal Line

9-3. AM Stereo Section

*Design and specifications subject to change without notice for improvement.
 *La présentation et les spécifications sont susceptibles d'être modifiées sans préavis par suites d'améliorations éventuelles.
 *Änderungen, die dem technischen Fortschritt dienen, bleiben vorbehalten.

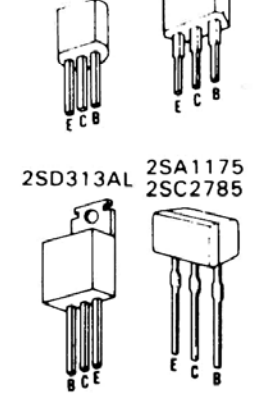


- | | |
|---------------|-------------------|
| eIC 101 ~ 105 | M5218L |
| eQ100 ~ 107 | 2SC1740 (R,S) |
| eQ109, 110 | 2SC2603 (E,F) |
| eQ112 ~ 115 | 2SC2785 (E,F) |
| eQ111, 116 | 2SA1175 (J,H,F,E) |
| eQ120 | 2SA1115 (E,F) |
| eD100 ~ 119 | 1S2473D |
| | 1S1588 |
| eFT 100 | 2SK117 (Y,GR) |

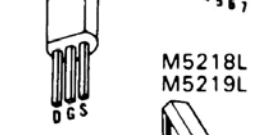
SYMBOL
 △ Ceramic
 ⊙(m) Mylar
 ⊙ Polystyrene

AM Stereo (e)
 --- AM Line & L-ch (AM) Signal Line
 - - - R-ch (AM) Signal Line

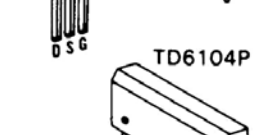
- | | |
|----------|---------|
| 2SA992 | 2SA1048 |
| 2SC930 | 2SA1115 |
| 2SC1740S | 2SC2458 |
| 2SC1845 | 2SC2603 |
| 2SC2878 | |



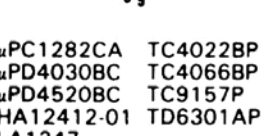
- | | |
|-----------|----------|
| 2SK246-BL | µPC1163H |
| 2SK246-GR | |
| 2SK117-GR | |
| 2SK117-Y | |
| 2SK246-Y | |



- | | |
|------------|--|
| 2SK192A-GR | |
| 2SK241-GR | |



- | | | |
|---------|------------|----------|
| 1S1588 | µPC1282CA | TC4022BP |
| 1S2473D | µPD4030BC | TC4066BP |
| 1S2473T | µPD4520BC | TC9157P |
| 10E 2 | HA12412-01 | TD6301AP |
| | LA1247 | |
| | MSM4030RS | |
| | MSM4520 | |
| | NJM1496D | |
| | NJM4558D | |
| | TC4011P | |



- | | |
|----------|--|
| 05Z6.2X | |
| 05Z6.2Y | |
| 05Z9.1 | |
| TLG-123A | |
| TLS-123 | |
| TLY 123 | |

