

SERVICE MANUAL

DIGITAL SYNTHESIZER TUNER

SANSUI TU-D99X



NOTE

TU-D99X is additional model which external appearances are different from those of TU-S77X.

This manual contains **OTHER PARTS LIST**, **PACKING LIST** and **ACCESSORY LIST** in which changed parts are printed with bold-face.

For other parts list, refer to TU-S77X/S77XW service manual previously issued.

•SPECIFICATIONS

FM Section

Tuning range..... 88 to 108 MHz

Usable sensitivity

Mono IHF 10.8 dBf (1.9 μ V : T100)
DIN 0.95 μ V

50 dB quieting sensitivity

Mono 16.2 dBf
Stereo 37.7 dBf

Signal to noise ratio at 85 dBf

Mono 90 dB
Stereo 85 dB

Distortion at 65 dBf

Mono less than 0.015% at 1,000 Hz
Stereo less than 0.02% at 1,000 Hz

Alternate channel selectivity (at 400 kHz)

NARROW..... 60 dB

Capture ratio 1.0 dB

Image response ratio..... 100 dB

Spurious response ratio... 100 dB

Stereo separation 60 dB at 1,000 Hz

Frequency response

Stereo 20 to 15,000 Hz
+0.2 dB, -0.5 dB

Antenna input impedance

..... 300 ohms balanced
75 ohms unbalanced

AM Section

Tuning range..... 530 to 1,600 kHz

Usable sensitivity 50 dB/m (316 μ V/m)

Signal to noise ratio 50 dB

Image response ratio..... 45 dB at 1,000 kHz

Others

Output voltage and impedance

..... 775 mV/2.2 kohms

Power requirements 120/220/240V
50/60 Hz

For U.S.A. and Canada

..... 120V (60 Hz)

Power consumption 13 watts

Dimensions

w/o sidewood..... 430 mm (16-15/16")W
57 mm (2-1/4")H
306 mm (12-1/16")D
w/ sidewood..... 466 mm (18-3/8")W
57 mm (2-1/4")H
306 mm (12-1/16")D

Weight

w/o sidewood..... 3.5 kg (7.7 lbs) net
4.3 kg (9.5 lbs) packed
w/ sidewood..... 4.0 kg (8.8 lbs) net
4.8 kg (10.6 lbs) packed

* Design and specifications subject to changes without notice for improvements.

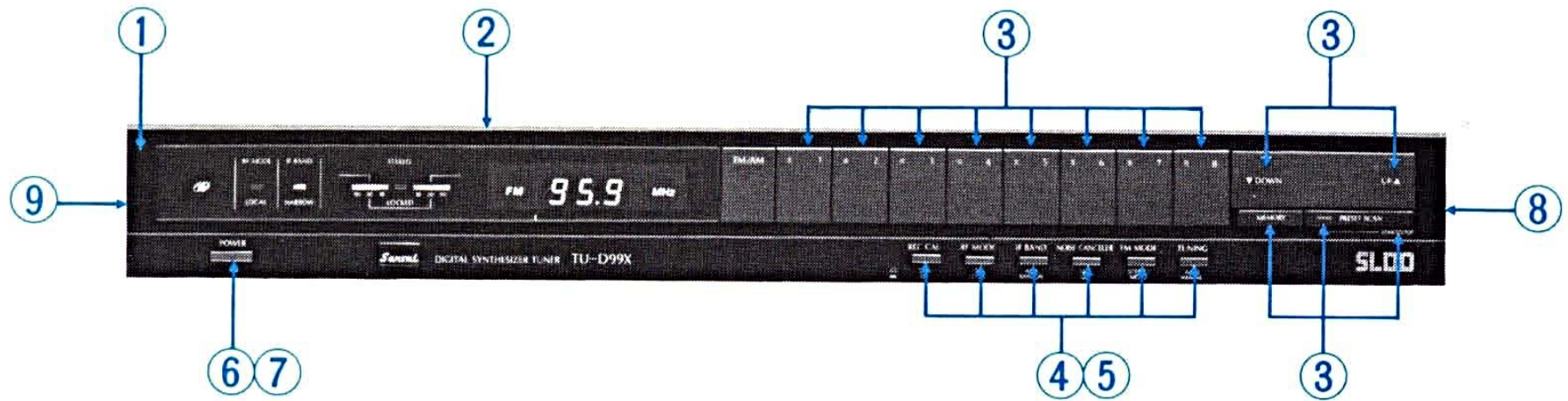
* In order to simplify the explanation illustrations may sometimes differ from the originals.

Sansui

SANSUI ELECTRIC CO., LTD.

1. OTHER PARTS

● Front View



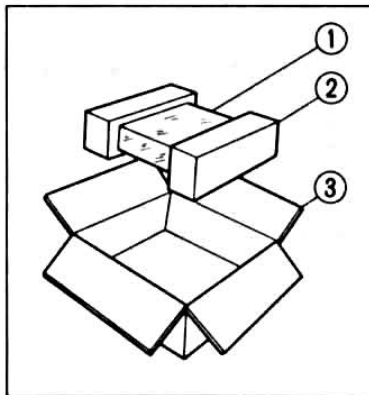
Parts List

| Parts No. | Stock No. | Description |
|-----------|-----------|------------------------------------------------------------------|
| 1 | 47618100 | Front Panel Ass'y |
| 2 | 47440300 | Bonnet |
| 3 | 46708100 | Push SW., FM/AM, MEMORY, DOWN, UP, PRESET STATION, PRESET SCAN |
| 4 | 47300300 | Knob, REC CAL, RF MODE, IF BAND, TUNING, FM MODE NOISE CANCELLER |

| Parts No. | Stock No. | Description |
|-----------|-----------|-----------------------------------------------------------------------|
| 5 | 46725300 | Push SW., REC CAL, RF MODE, IF BAND, TUNING, FM MODE, NOISE CANCELLER |
| 6 | 47324600 | Knob, POWER |
| 7 | 46413900 | Push SW., POWER |
| 8 | 47326610 | Side Panel (Right) |
| 9 | 47326410 | Side Panel (Left) |

2. PACKING LIST

| Parts No. | Stock No. | Description |
|-----------|-----------|-------------------|
| 1 | 47431100 | Vinyl Bag |
| 2 | 47325700 | Styrofoam Packing |
| 3 | 47619500 | Carton Case |



3. ACCESSORY LIST

| Stock No. | Description |
|-----------|-------------------------|
| 07233600 | F-type Connector (Male) |
| 46051700 | FM Antenna |
| 46548700 | AM Loop Antenna |
| 07193400 | Pin Plug Cord |
| 46961200 | Operating Instruction |



SANSUI ELECTRIC CO., LTD.:

SANSUI ELECTRONICS CORPORATION:

SANSUI ELECTRONICS (U.K.) LTD.:
SANSUI ELECTRONICS G.M.B.H.:

14-1, Izumi 2-chome, Suginami-ku, Tokyo 168 Japan

PHONE: (03) 324-8891/TELEX: 232-2076 (International Division)

1250 Valley Brook Ave. Lyndhurst, N.J. 07071 U.S.A.

17150 South Margay Ave. Carson, California 90746 U.S.A.

3036 Koapaka Street. Honolulu, Hawaii 96819 U.S.A.

Unit 10A, Lyon Industrial Estate, Rockware Avenue, Geenford, Middx UB6, OAA, England

Pau Ehrich Strasse 8, 6074 Rödermark 2, West Germany

(SM1-177)

Printed in Japan (640420M) <Stock No. 36499400>