

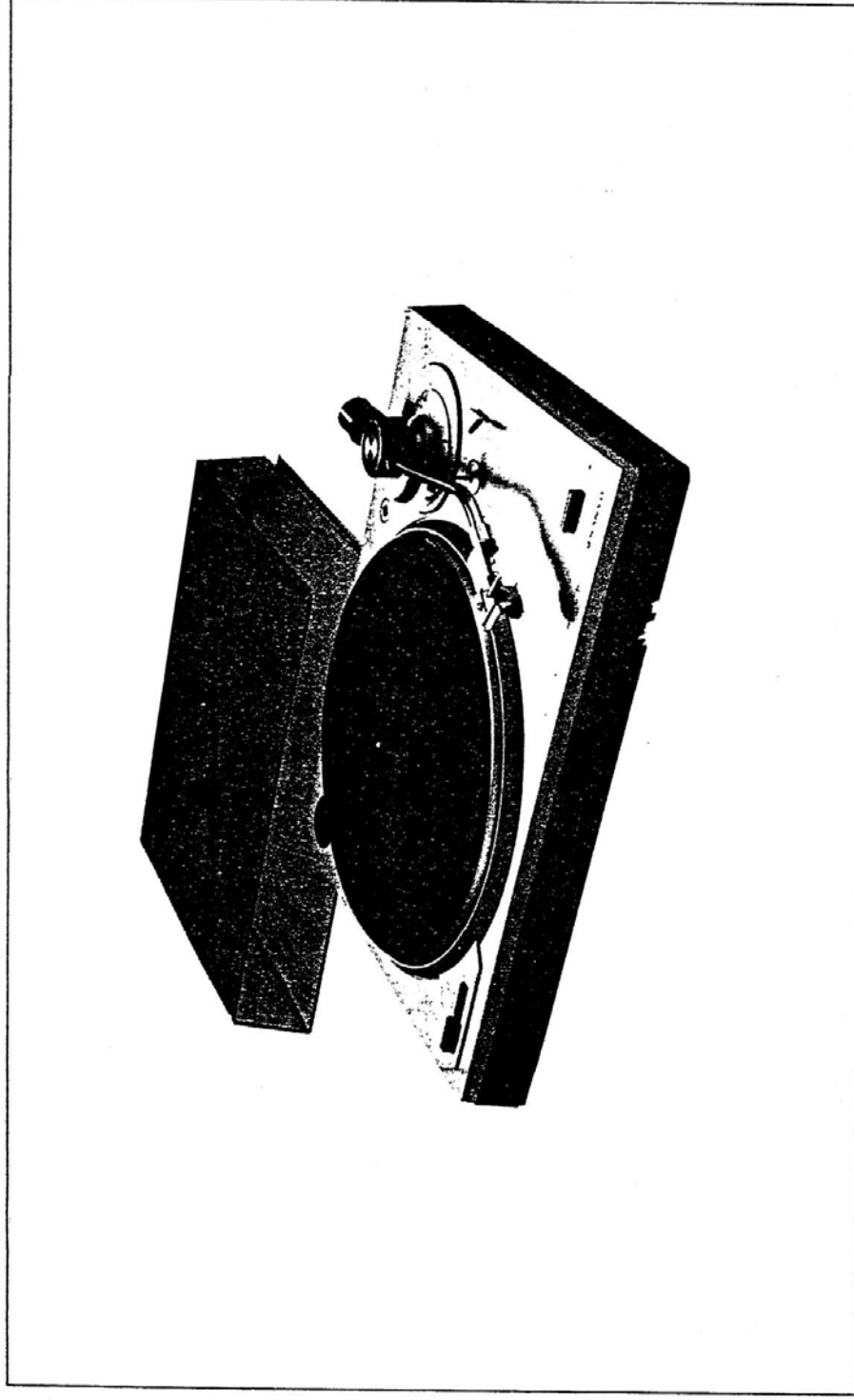
SERVICE MANUAL



STEREO TURNTABLE

TP1005

(AUSTRALIA)



SPECIFICATIONS

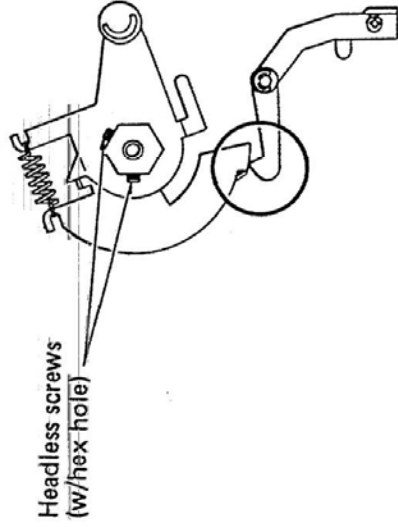
Motor	DC motor	Stylus pressure	1.5 — 2.5 g.
Drive system	Belt drive	Frequency response	20 — 20,000 Hz
Speeds	33-1/3 and 45 rpm	Overhang	15 mm
Wow & flutter	0.05% WRMS	Channel separation	Better than 20 dB
Signal to noise ratio	Better than 60 dB	Power source	AC, 240V, 50Hz
Turntable platter	11-1/2" (29.2 cm)	Power consumption	6W
Tone arm	Static-balance type	Dimensions	Approx. 17-3/8"(W) x 5-1/2"(H) x 14-1/4"(D)
Tracking error	±1.5°	Weight	(440 x 140 x 360 mm) Approx. 9 lbs. 1 oz. (4.1 kg)
Stylus pressure force range	0 — 3gr.		
Cartridge	Magnetic stereo cartridge: MG-35D		
Stylus	0.6 mil diamond stylus: ST-35D		

* Specifications and design are subject to change without notice.

ADJUSTMENT

ADJUSTMENT OF TONEARM LEVER

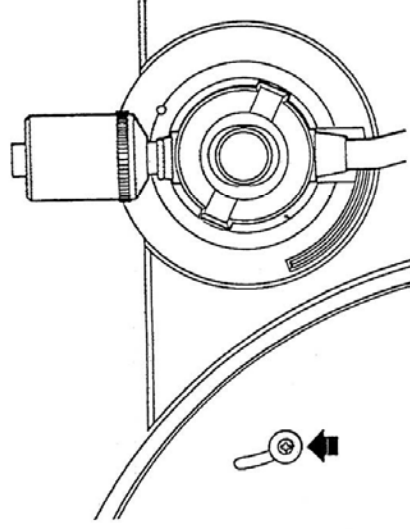
Set the turntable unit upside down after putting the tonearm on the arm rest and securing it. Then, loosen the set screw (w/hex hole) and position the lever (M18) in such a way that the protrusion of the micro-switch contacts the foremost end of the lever.



ADJUSTMENT OF MICRO-SWITCH

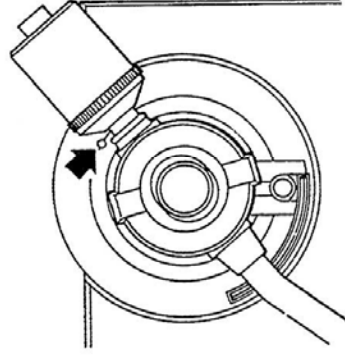
Set the turntable unit back in its normal position (the turntable platter at the top). Loosen the round hend screw (Y7) (see illustration) with a screwdriver and adjust the microswitch position so that the micro-switch will be turned on when the tonearm has moved a little toward the turntable center.

The micro-switch should be correctly positioned at a place where it provides a rotational start for the turntable when the tonearm head centers an area 35 through 38cm away from the center.



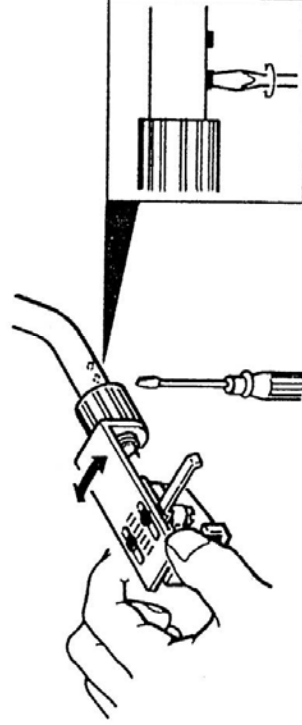
ADJUSTMENT OF AUTO-RETURN

There is a shaft which is accessible with an long shaft screwdriver through the hole below the tonearm. (See illustration at right.) When the stylus has reached a point approximately 55mm from the turntable center turn the shaft clockwise or counter-clockwise and select a position where it actuates the auto-return.



ADJUSTMENT OF HEADSHELL

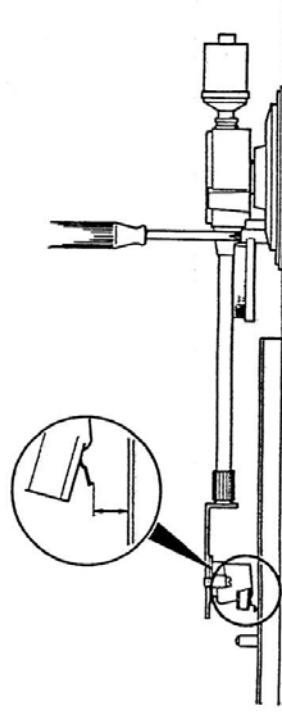
The headshell attached to the tonearm should not be inclined either to the right or to the left. If necessary, loosen the two screws on the bottom of the tubular arm and adjust the headshell. Be sure that the stylus is normal to the record surface.



ADJUSTMENT

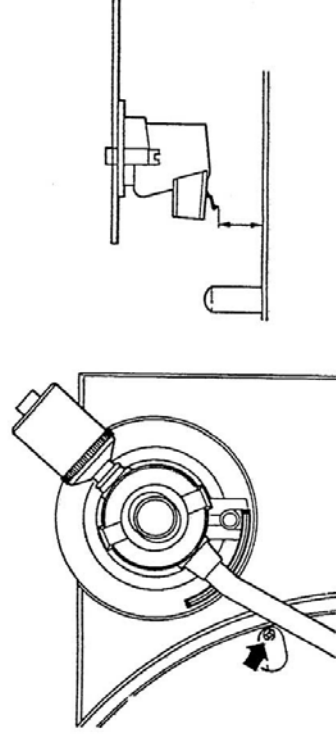
ADJUSTMENT OF TONEARM LIFTER

Set the cuing lever to UP and the distance between the stylus and the record to about 9mm by adjusting the arm lifter screw.



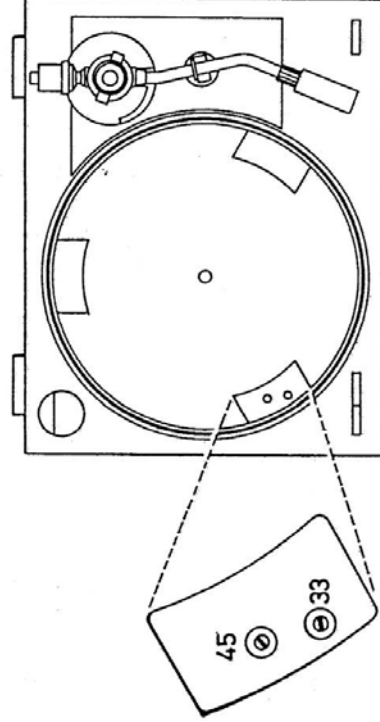
ADJUSTMENT OF LIFT-UP LEVER SPRING

Switch off power when the auto-return has worked and adjust spring tension to provide a clearance of 11mm between the stylus and the record.

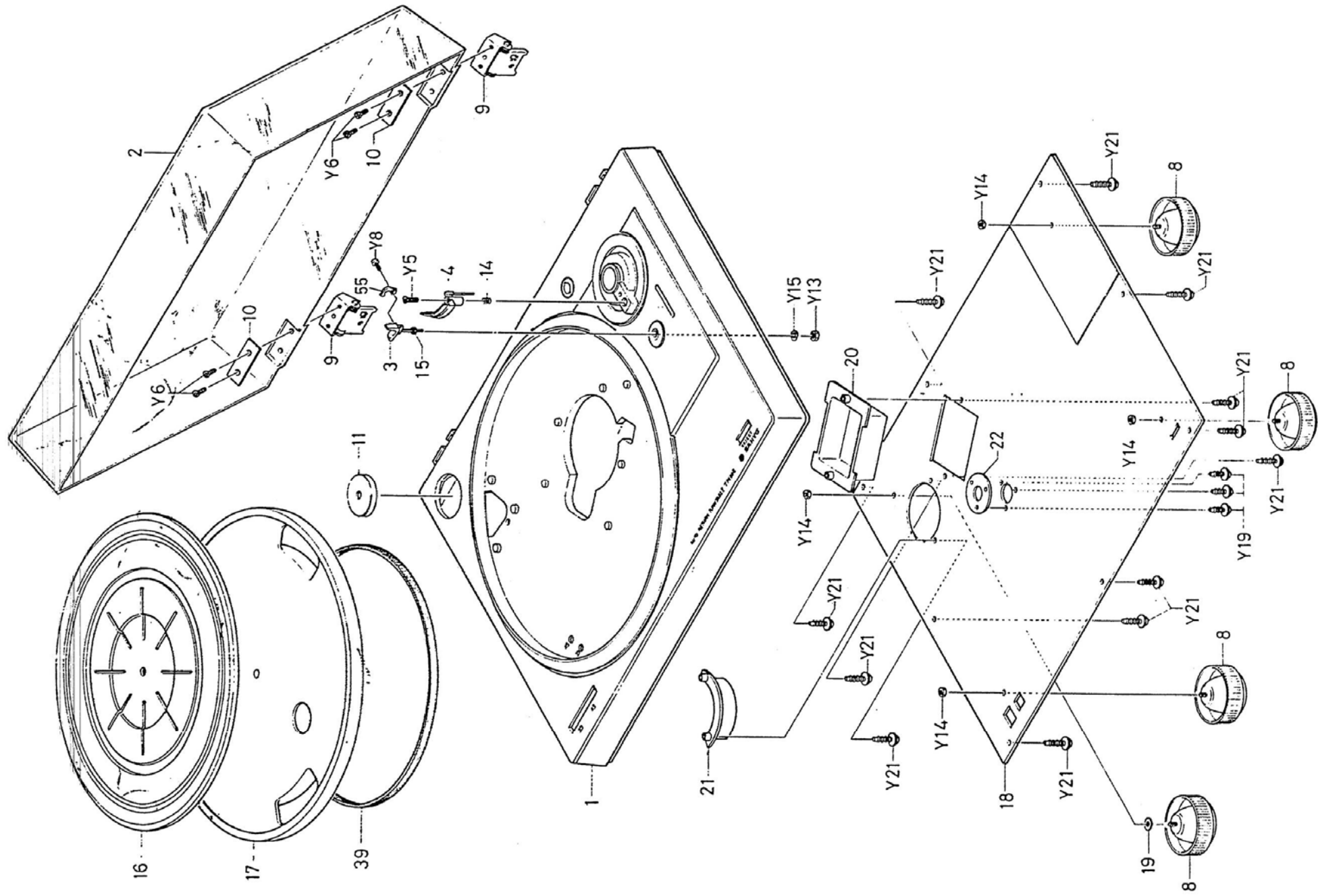


ADJUSTMENT OF TURNTABLE SPEED

Set the fine speed control dials to their center positions (each has three protrusions, of which only one can be set to the center). Make adjustment by inserting a screwdriver into the holes. When properly adjusted, the zebra strobo-scope marks on the turntable platter seem to be stationary at the selected speed.



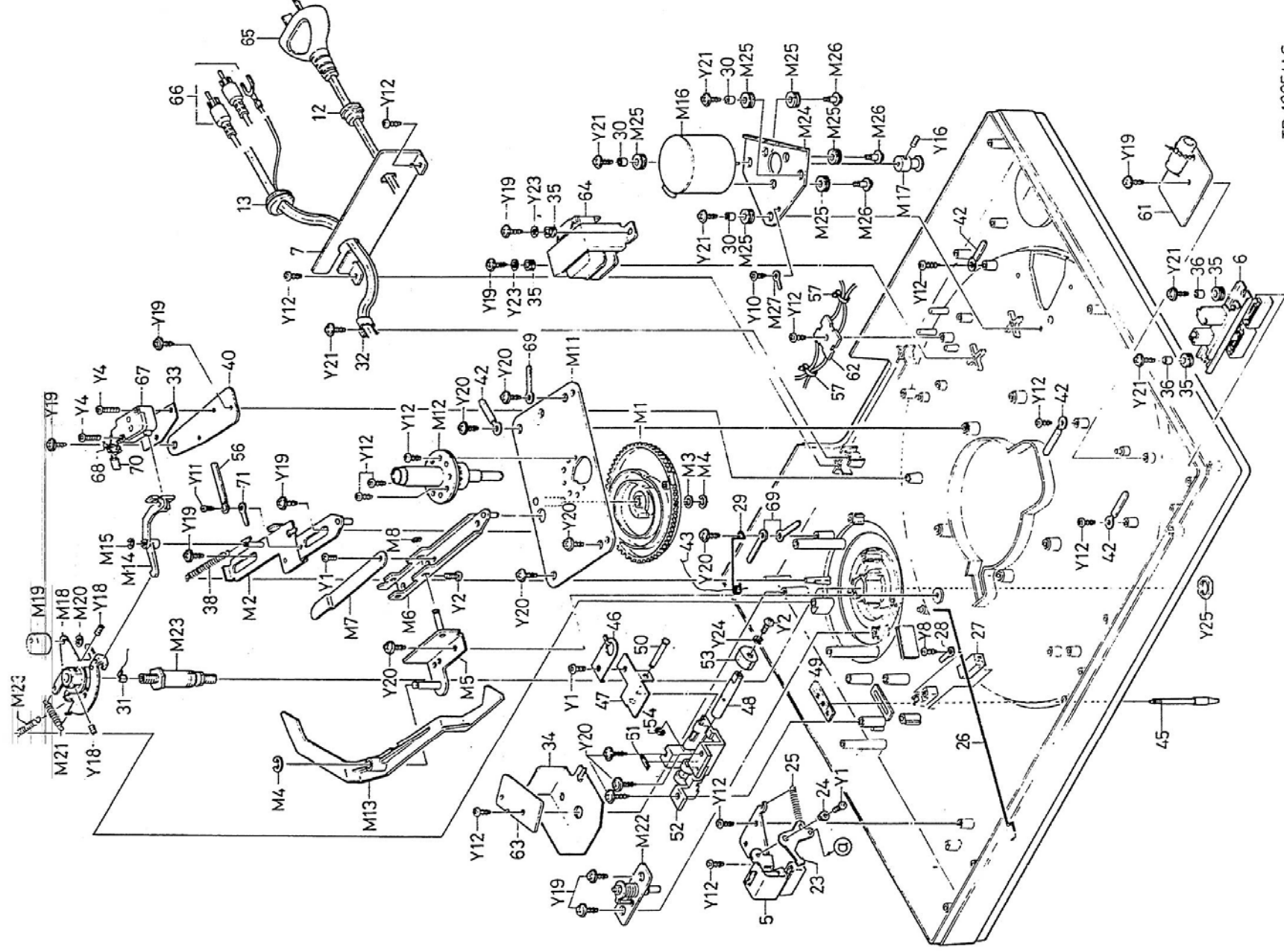
CABINET EXPLODED VIEW



PARTS LIST

Ref. No.	Part No.	Description	Q'ty
PACKING			
	141-6-132T-97213	Individual Carton	1
	141-6-472T-15300	Caution Label	1
	141-6-144T-49600	Styrol Filler, Set	2
	141-6-316T-89300	Pad, Top	1
	141-2-337T-10400	Ribbon, Arm Fixer	1
	141-6-410T-50000	Instruction Manual	1
	141-6-231T-60700	Inner Polyethylene Bag, Set	1
	141-6-231T-35400	Inner Polyethylene Bag, Sheet	1
	141-6-231T-15250	Inner Polyethylene Bag, Cord	2
	141-6-231T-10100	Inner Polyethylene Bag, Accessories	2
	141-6-317T-07500	Pad, Turn Table	1
	141-6-317T-06700	Pad, Sheet	1
	141-6-317T-07700	Pad, Dust Cover	1
	141-6-316T-88500	Pad, Dust Cover	1
	123-6-453R-00100	Inspection sheet	1
CABINET			
1	141-0-121T-14607	Deck Panel Assembly	1
2	141-0-194T-00700	Dust Cover Assembly	1
3	141-2-873T-00402	Rest Assembly	1
4	141-0-872T-00201	Lifter Assembly	1
5	141-0-365T-38402	Bracket Switch Assembly, Reject	1
6	141-0-365T-42102	Bracket Switch Assembly, Speed	1
7	141-2-367T-30601	Bracket Socket Cord Out	1
8	141-0-174T-06600	Stand Assembly	4
9	141-2-251T-06102	Hinge, Dust Cover Mtg.	2
10	141-2-351T-47500	Bracket Mounting, Hinge Mtg.	2
11	141-2-352T-19900	Spacer, 45 Adaptor	1
12	141-2-464T-14400	Fixer, A/C Cord	1
13	141-2-445T-16000	Rubber Cushion, Output Cord Mtg.	1
14	141-2-855T-14200	Coil Spring, Lifter Mtg.	1
15	141-2-683T-32401	Ring, Stand Mtg.	1
16	141-2-246T-23000	Sheet, Turn Table	1
17	141-2-118T-00600	Turn Table	1
18	141-2-126T-27900	Back Lid	1
19	141-2-352T-25300	Spacer, Adjust height or leg	1
20	141-2-135T-53500	Cover, PT	1
21	141-2-135T-53500	Cover, Motor	1
22	141-2-683T-33800	Ring, Turn Table Shaft	1
23	141-2-742T-07300	Lever, Reject	1
24	141-2-683T-28900	Ring, Reject	1
25	141-2-851T-73300	Coil Spring, Reject	1
26	141-2-852T-45600	Wire Spring, Reject	1
27	141-2-447T-45700	Cushion, Wire Spring (26)	1
28	123-2-472R-00401	Lug, Wire Spring (26)	1
29	141-2-852T-45700	Wire Spring, Earth	1
30	141-2-461T-30800	Pipe, Cushion	3
31	141-2-472T-06800	Lug, Arm Shaft Mtg.	1
32	141-2-464T-30000	Fixer, Output Cord	1
33	141-2-352T-24800	Spacer, Micro Switch Mtg.	1
34	141-2-322T-48900	Shield Plate, Output P.C.B	1
35	141-2-445T-05000	Rubber Cushion, Bracket Switch, PT	4
36	141-2-461T-30800	Pipe, Bracket Switch	2
38	141-2-855T-14700	Coil Spring, pull the Mechanism Slide	1
39	141-2-561T-04200	Flat Belt, Turn Table Drive	1
40	141-2-351T-47201	Bracket Mounting, Switch	1
42	141-2-472T-01201	Lug, Lead Retainer	4
43	141-2-340T-00200	Rope 0.5φ x 50mm	1
45	141-0-742T-07200	Lever Assembly, Lift up lever	1
46	141-2-853T-67700	Plate Spring	1
47	141-2-742T-51600	Lever	1
48	141-2-753T-90100	Shaft	1
49	141-2-241T-21300	Veil	1
50	141-2-753T-90200	Shaft	1
51	141-2-246T-77300	Sheet 3 mm x 12 mm	2
52	141-2-351T-52500	Bracket Mounting	1
53	141-2-671T-06000	Cam	1
54	141-2-457T-23000	Washer, Special	1
55	141-2-873T-00300	Rest	1
56	141-2-472T-01001	Lug	1
57	141-2-464T-20671	Fixer	1
ELECTRICAL PARTS			
61	141-4-230T-84872	Printed Circuit Board Assembly, POWER	1
	141-2-464T-08700	-Fixer	1
	4-237T-00100	-Terminal, Wrapper Pin	9
	4-222T-39573	-Semi Fixed Resistor 50kΩ	1
D1		-Diode DS18	1
D2		-Diode DS17	1
C2		-Electrolytic 1000μF +100 -10% 16WV	1
62	140-4-230T-44200	AC Relay	1
63	4-230T-19473	Printed Circuit Board, Output Relay	1
64	4-300T-02000	Power Transformer	1
65	4-243T-76600	Power Supply Cord	1
66	4-231T-15171	Lead Cord, Output Cord DIN type	1
67	4-231T-61900	Switch, Micro	1
68	141-2-464T-08700	Fixer, Mylar (61) Mtg.	1
69	123-2-472R-00600	Lug, Earth	3
70(C1)		Mylar Capacitor 47μF ±20% 50WV,	1
71	123-2-472R-00400	Lug, Earth	1
ARM (JPU1005UM)			
101	141-0-743T-05906	Arm Assembly	1
a	141-2-853T-53901	-Plate Spring	1
b	141-0-687T-01400	-Weight Assembly	1
c		-Tapping Screw 2 x 4mm, Plate Spring Mtg.	1
102	141-0-286T-01000	Head Shell Assembly	1
103	141-2-445T-20300	Rubber Cushion	1
104	4-243T-15800	Lead Cord, LH	1
105	4-243T-15871	Lead Cord, LE	1
106	4-243T-15872	Lead Cord, RH	1
107	4-243T-15873	Lead Cord, RE	1
108	141-2-421T-23700	Special Screw	2
109	141-2-417T-18100	Stud Nut	2
110	141-2-453T-32200	Washer, Nylon	2
111	141-2-742T-13100	Lever, Head Shell Fingure	1
112	141-2-687T-01600	Weight, Sub Weight	1
113	4-157T-0210	Cartridge Assy, MG-10J	1

MECHANISM EXPLODED VIEW



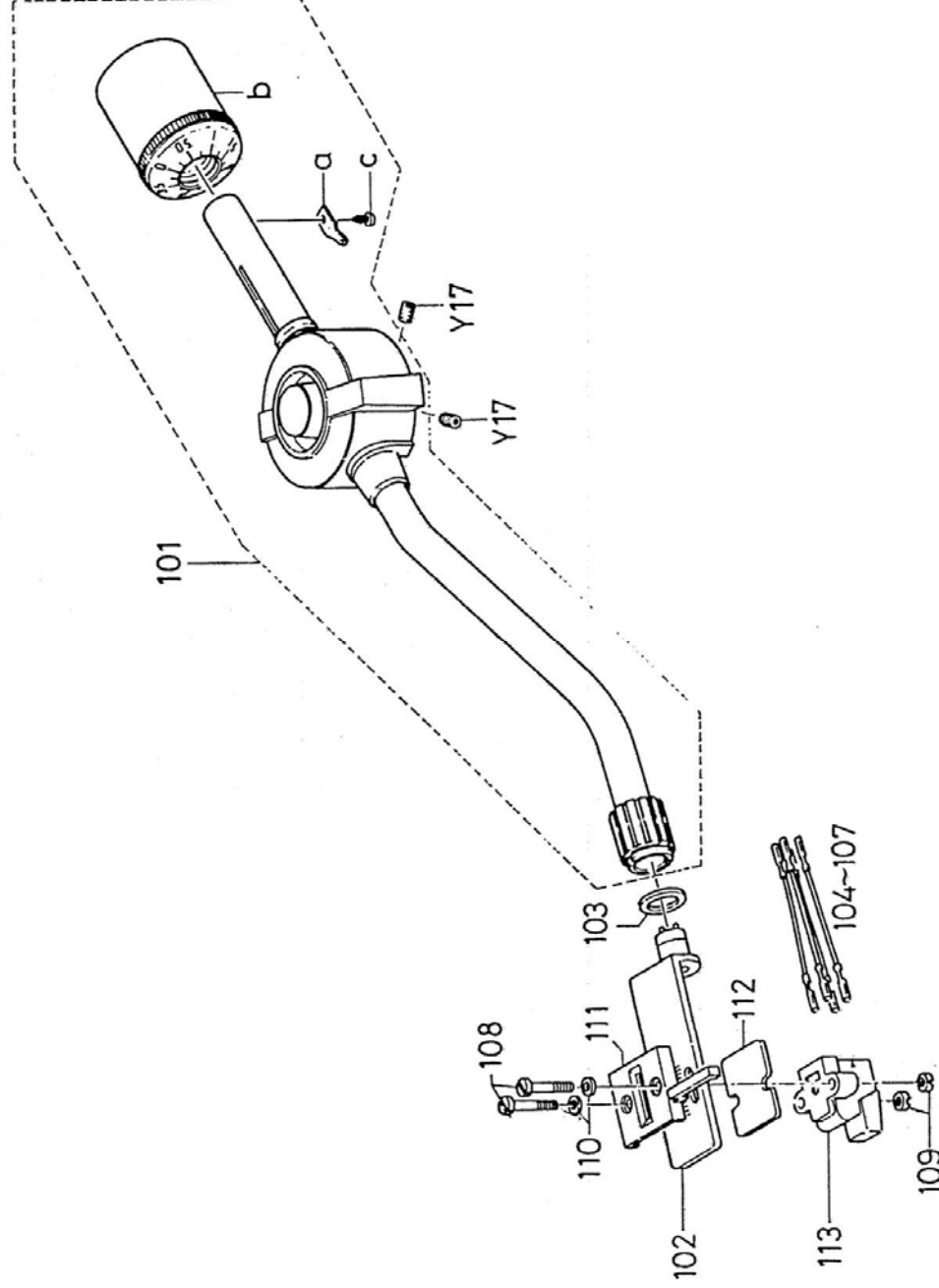
TP-1005/AS
1980.5

PARTS LIST

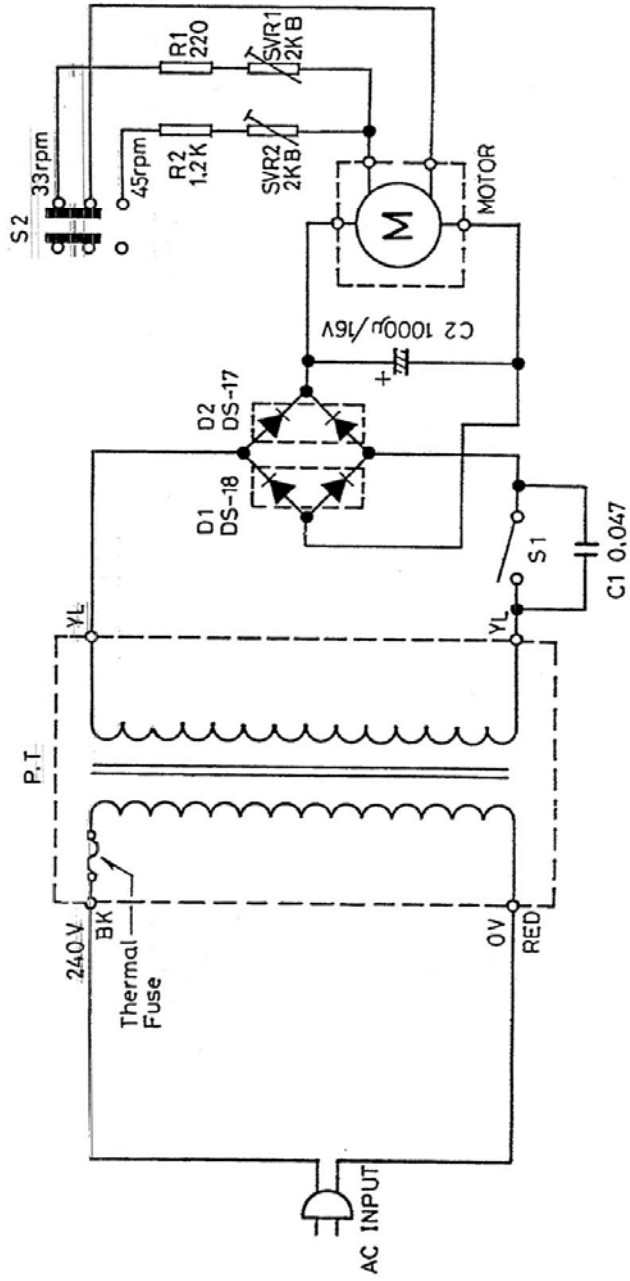
Ref. No.	Part No.	Description	Q'ty
MECHANISM (PM 1005AS)			
M1	141-0-581T-08900	Gear Assembly, Main Gear	1
M2	141-0-731T-65100	Slide Assembly, Main Slide	1
M3	141-2-453T-30701	Washer, GNM5.2 x 8 x 0.25mm	1
M4	141-2-457T-23200	Special Washer, "E" Ring 4mm	2
M5	141-0-747T-17500	Bracket Lever Assembly, Life Up Lever Mtg.	1
M6	141-0-741T-20700	Lever Assembly, Lift Up Lever	1
M7	141-2-853T-51100	Plate Spring, Lift Up	1
M8	141-2-457T-23100	Special Washer, "E" Ring 3mm	1
M11	141-0-351T-47100	Bracket Mounting Assembly	1
M12	141-0-751T-02800	Shaft Assembly, Turn Table	1
M13	141-2-742T-06700	Lever, Trip	1
M14	141-2-742T-22300	Lever, Switch Operation	1
M15	141-2-457T-23000	Special Washer, Lever (M14) Mtg. "E" Ring 2mm	1
M16	4-527T-10800	DC Motor	1
M17	141-2-661T-71800	Pulley, Motor Mtg.	1
M18	141-0-742T-25400	Lever Assembly, Arm Lever	1
M19	141-2-753T-52600	Shaft, AUTO RETURN ADJUST	1
M20	141-2-457T-23101	Special Washer, Shaft (M19) Mtg.	1
M21	141-2-851T-73500	Coil Spring, Arm Lever Restore	1
M22	141-0-577T-06100	Bracket Bearing Assembly, Lift Up	1
M23	141-0-573T-09601	Bearing Assembly, Arm Stand	1
M24	141-2-378T-09000	Bracket, Motor Mtg.	1
M25	141-2-447T-38600	Cushion, Motor Mtg.	1
M26	141-2-421T-27300	Special Screw, Motor Mtg.	3
M27	123-2-472R-00401	Lug, Earth	1

Ref. No.	Part No.	Description	Q'ty
SCREW MOUNTING			
Y1		Screw, Pan Head 3 x 6mm	3
Y2		Screw, Pan Head 3 x 8mm	2
Y4		Screw, Pan Head 3 x 14mm	2
Y6		Screw, Binding Head 4 x 12mm	4
Y8		Screw, Tapping 2.6 x 6mm	1
Y9		Screw, Tapping 3 x 12mm	2
Y10		Screw, Tapping 3 x 4mm	1
Y11		Screw, Tapping 3 x 6mm	1
Y12		Screw, Tapping 3 x 8mm	1
Y13		Screw, Tapping 3 x 6mm	8
Y14		Nut, Hexagon 2.6mm	1
Y15		Nut, Hexagon 3mm	4
Y16		Washer, Spring 2.6mm	1
Y17		Screw, Headless 3 x 4mm	1
Y18		Screw, Headless with Hexagon Hole 3 x 4mm	2
Y19		Screw, Tapping with Washer 3 x 8mm	12
Y20		Screw, Tapping with Washer 3 x 10mm	8
Y21		Screw, Tapping with Washer 3 x 12mm	18
Y22	141-2-453T-01700	Washer, Fiber 3 x 10 x 1mm	3
Y23		Washer 3 x 10 x 1mm	2
Y24		Washer, Spring 3mm	1
Y25		Nut, Hexagon 12φ x 0.75mm	1
Y26		Screw, Tapping 3 x 10mm	1

ARM EXPLODED VIEW

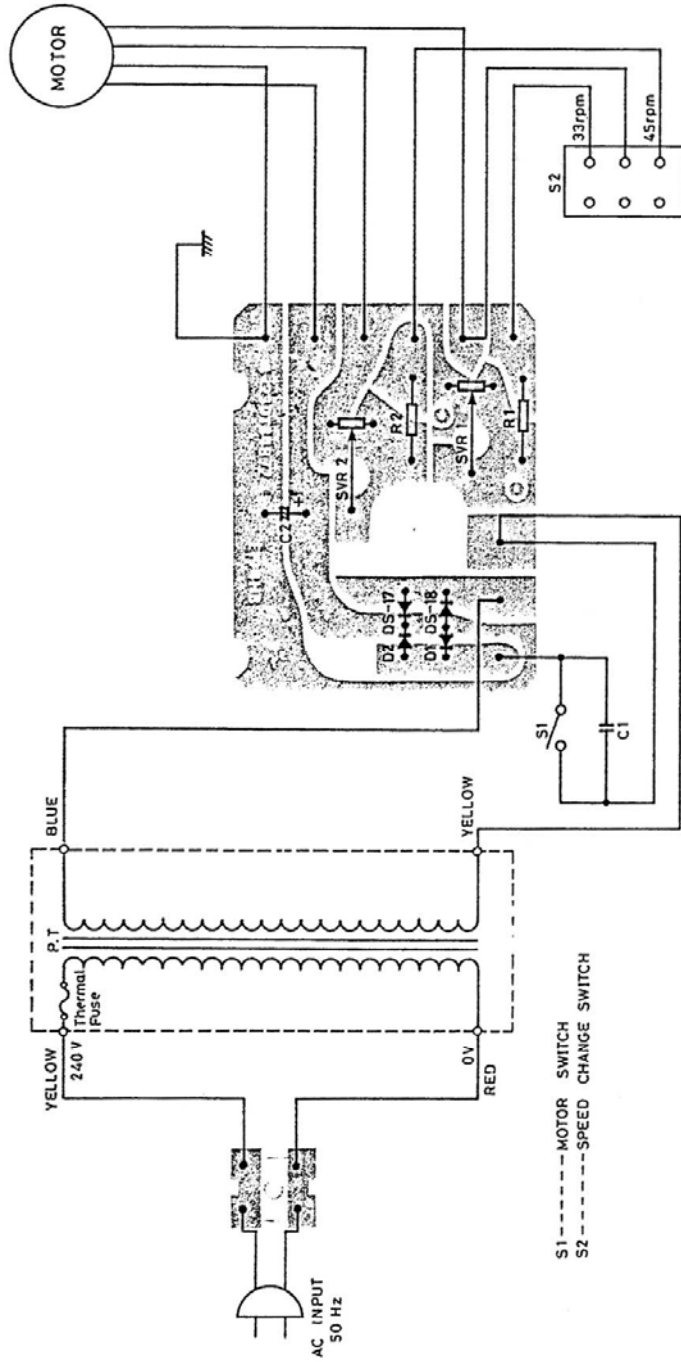


SCHEMATIC DIAGRAM



S1.....MOTOR SWITCH
 S2....SPEED CHANGE SWITCH

WIRING DIAGRAM



S1.....MOTOR SWITCH
 S2....SPEED CHANGE SWITCH

SANYO ELECTRIC TRADING CO., LTD.
 33, Hiyoshi-cho 2, Moriguchi-shi
 Osaka-fu, 570, JAPAN

Apr./'80/500 HA Printed in Japan