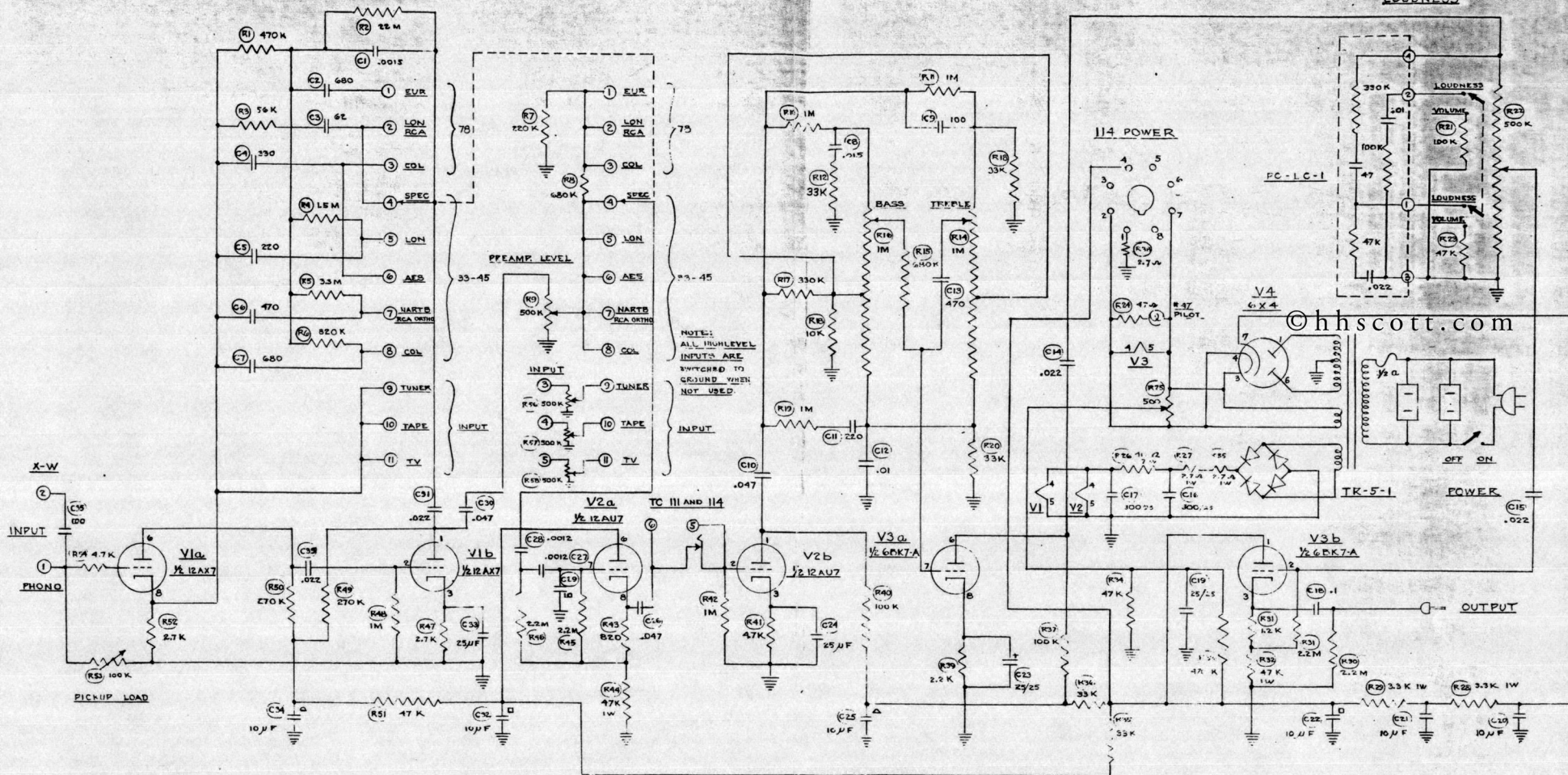


RECORD COMPENSATOR

LOUDNESS



TYPE 120-CP EQUALIZER PREAMPLIFIER  
CIRCUIT DIAGRAM

REVISIONS

120-CP CIRCUIT DIAGRAM	
HERMON HOSMER SCOTT, INC.	
CAMBRIDGE, MASS., U.S.A.	
DR: S. S. H. S.	ENG: J. R.
CH: PROE. C. J.	
LWS: 100	120-CP-C1