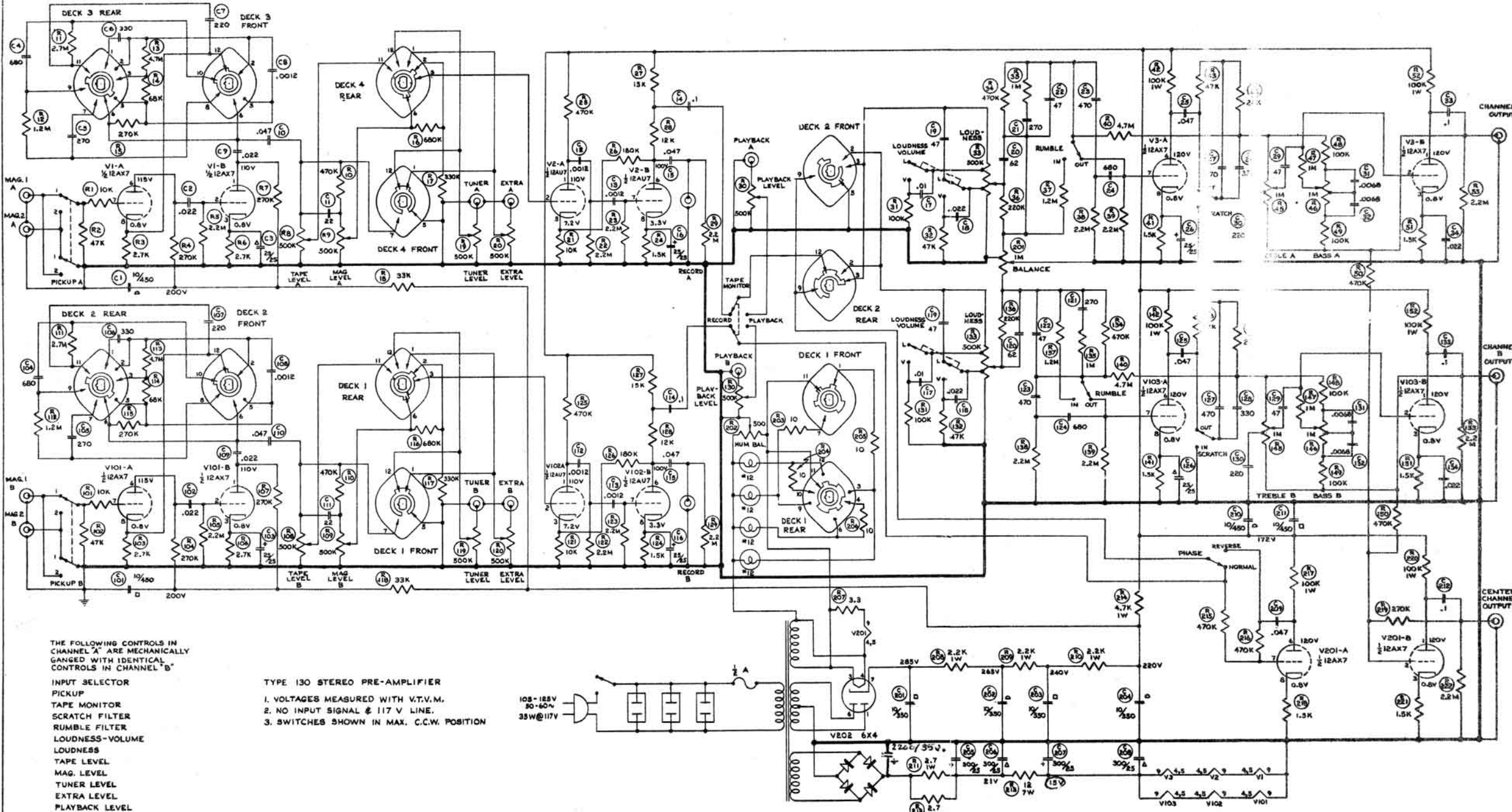


INPUT SELECTOR SWITCH

STEREO SELECTOR SWITCH



THE FOLLOWING CONTROLS IN CHANNEL "A" ARE MECHANICALLY GANGED WITH IDENTICAL CONTROLS IN CHANNEL "B"

- INPUT SELECTOR
- PICKUP
- TAPE MONITOR
- SCRATCH FILTER
- RUMBLE FILTER
- LOUDNESS-VOLUME
- LOUDNESS
- TAPE LEVEL
- MAG. LEVEL
- TUNER LEVEL
- EXTRA LEVEL
- PLAYBACK LEVEL

TYPE 130 STEREO PRE-AMPLIFIER
 1. VOLTAGES MEASURED WITH V.T.V.M.
 2. NO INPUT SIGNAL @ 117 V LINE.
 3. SWITCHES SHOWN IN MAX. C.C.W. POSITION

108-188V
 50-60~
 35W@117V

SCALE: INCHES	APRIL, 1958
130 CIRCUIT DIAGRAM	
HERMON HOSNER SCOTT, INC. CAMBRIDGE, MASS., U. S. A.	
DR: DVS:CYK	ENG
CH: P. G. L.	PRD.
DWG. NO D-130-C1	