

6/5/56

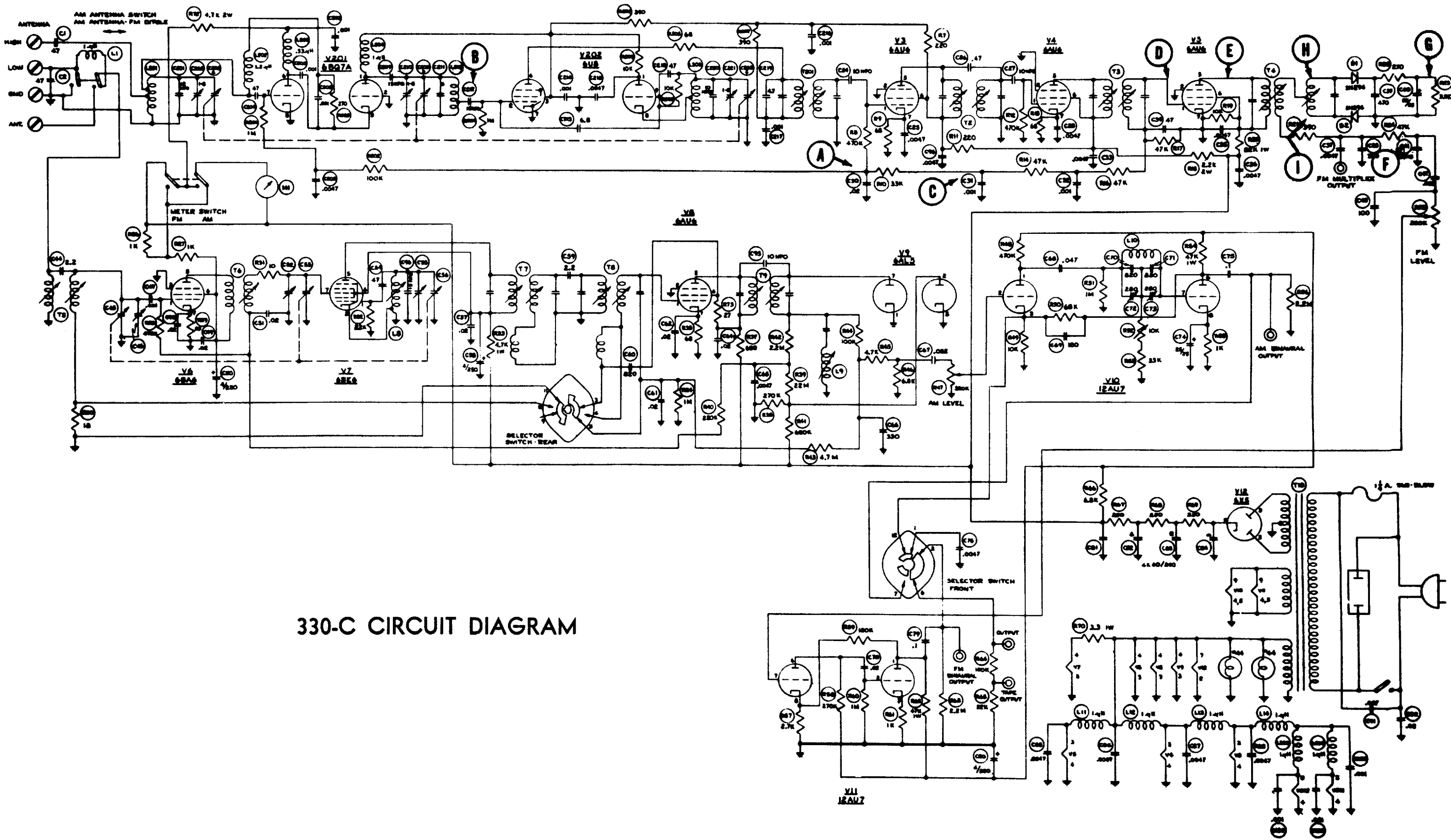
## 330-C ALIGNMENT INSTRUCTIONS

(Refer to circuit diagram for alignment test points)

Signal Generator Coupling	Signal Gen. Frequency	Tuner Dial Setting	Connect Scope to	Connect VTVM to	Adjust	Remarks
1. High side clipped to body of 15 mmf (on grid of 6U8) (B), low side to ground.	10.7 mc 500 KC sweep	109 mc	(C) and ground	(C) and ground	All IF transformers, top and bottom	Connect 2 to 5 mfd paper capacitor between (A) and ground. Adjust for maximum amplitude and symmetry. Use lowest input level to obtain adequate output (maximum 3.5V dc)
2. High side clipped to grid of 6AU6(V5) (D), low side to ground.	10.7 mc CW	109 mc	.....	Crystal probe coupled loosely to plate of 6AU6(V5) (not touching) (E)	Primary of detector transformer (bottom), limiter coil	Adjust for maximum deflection. Connect 1000 ohm carbon resistor between (H) and (I) (secondary), input level between .05 and .3 volts.
3. High side clipped to grid of 6AU6(V5) (D), low side to ground.	10.7 mc CW	109 mc	.....	High to (F) low to junction of two 100,000 ohm resistors	Secondary of detector transformer (top)	Adjust for 0 (zero) deflection. Connect two matched 100,000 ohm resistors in series. Connect this between (G) and ground.
4. High side through 270 ohm carbon resistor to antenna, low side to antenna ground terminal.	106 mc, 75 KC deviation 400 cps rate	106 mc	Output Cable	AC VTVM to output cable	All "Front End" trimmer capacitors	Signal generator output level 6 microvolts. Adjust trimmer for maximum audio output, (approx. 2.5. volts on VTVM).
5. High side through 270 ohm carbon resistor to antenna, low side to antenna ground terminal.	92 mc, 75 KC deviation, 400 cps rate	92 mc	Output Cable	AC VTVM to output cable	All silver plated "Front End" coils by expanding or compressing coil turns	Signal generator output level 6 microvolts. Adjust for maximum audio output, then repeat 4, (approx. 2.5. volts on VTVM).

Note: Alignment to be done with Level Control fully clockwise.

Circuit diagram and connection points shown in instruction book.



330-C CIRCUIT DIAGRAM

**HERMON HOSMER SCOTT, INC.**  
 111 Powdermill Road - Maynard, Mass.