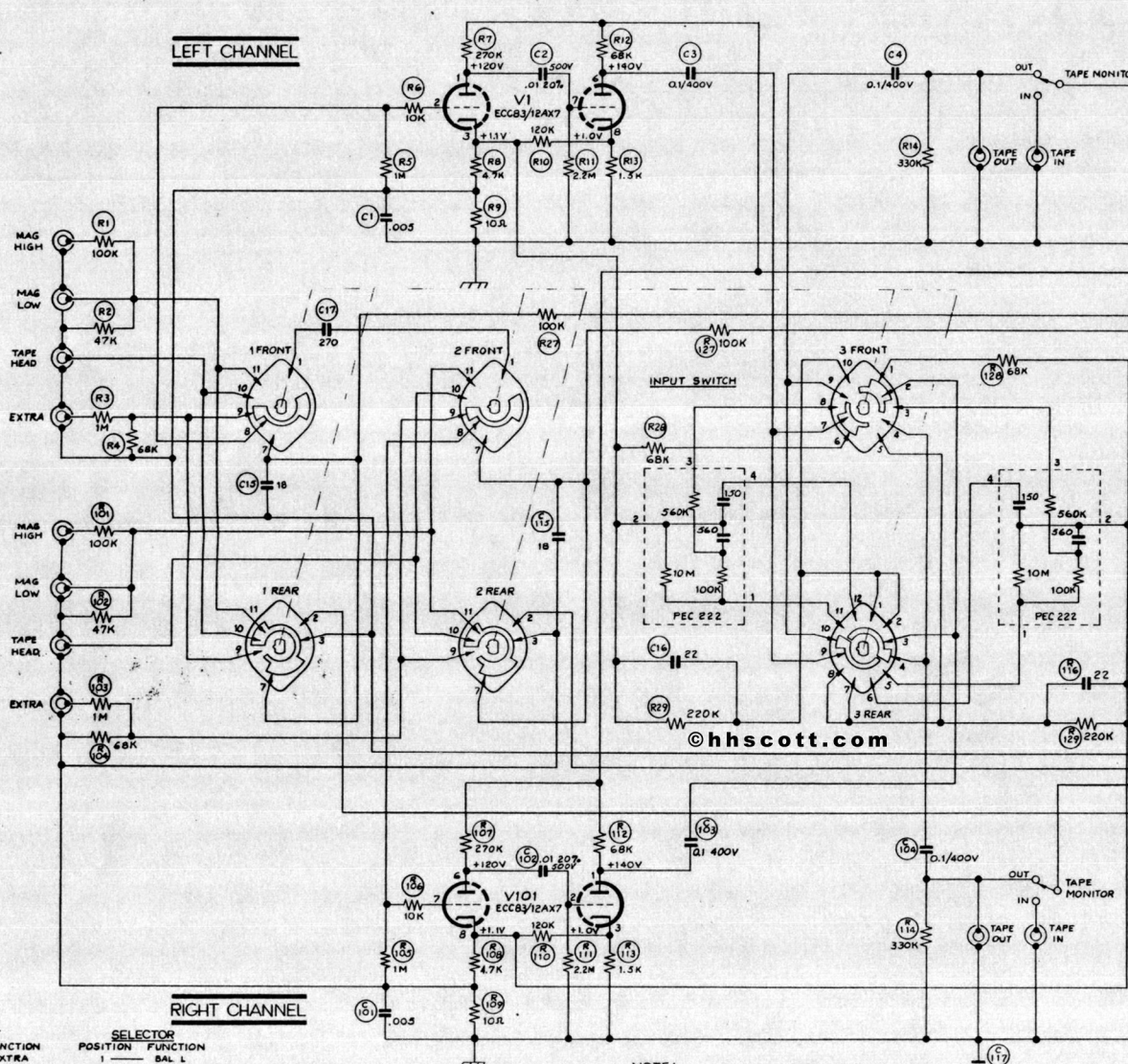
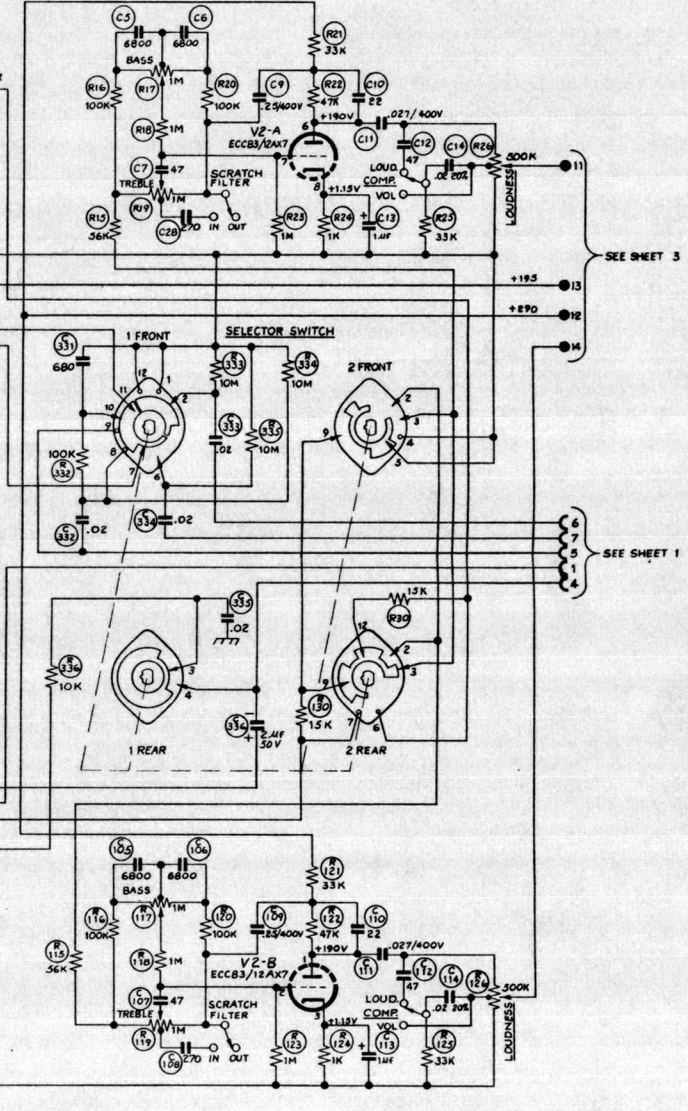


LEFT CHANNEL

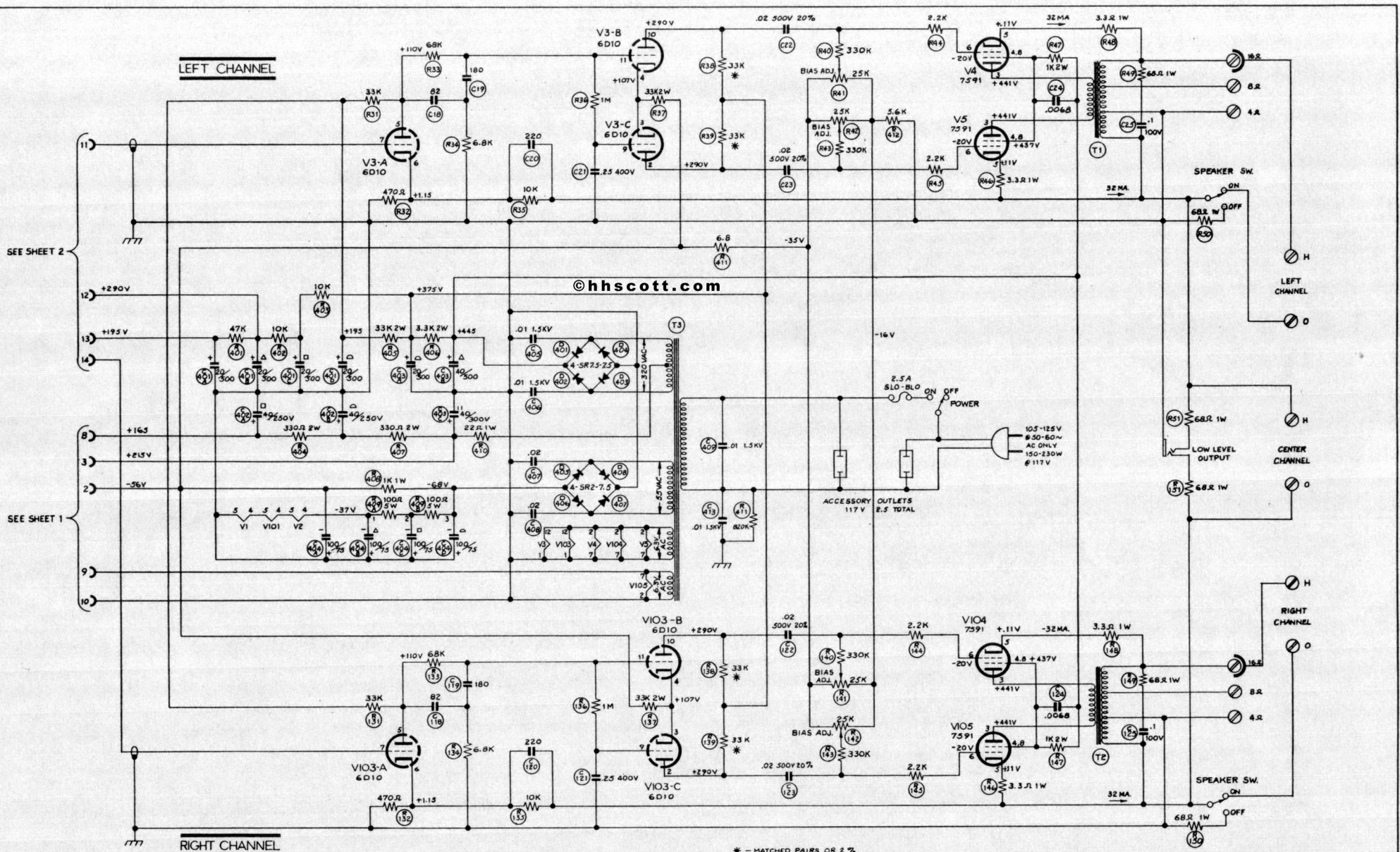


RIGHT CHANNEL



INPUT POSITION	FUNCTION	SELECTOR POSITION	FUNCTION
1	EXTRA	1	BAL. L
2	TAPE HD.	2	BAL. R
3	PHONO	3	MONO
4	FM	4	STEREO
5	SUB CH. FILTER	5	REV. STEREO
		6	L INPUT
		7	R INPUT

NOTE:
SWITCHES SHOWN IN MAX CCW POSITION



SEE SHEET 2

SEE SHEET 1

©hhscott.com

* - MATCHED PAIRS OR 2%